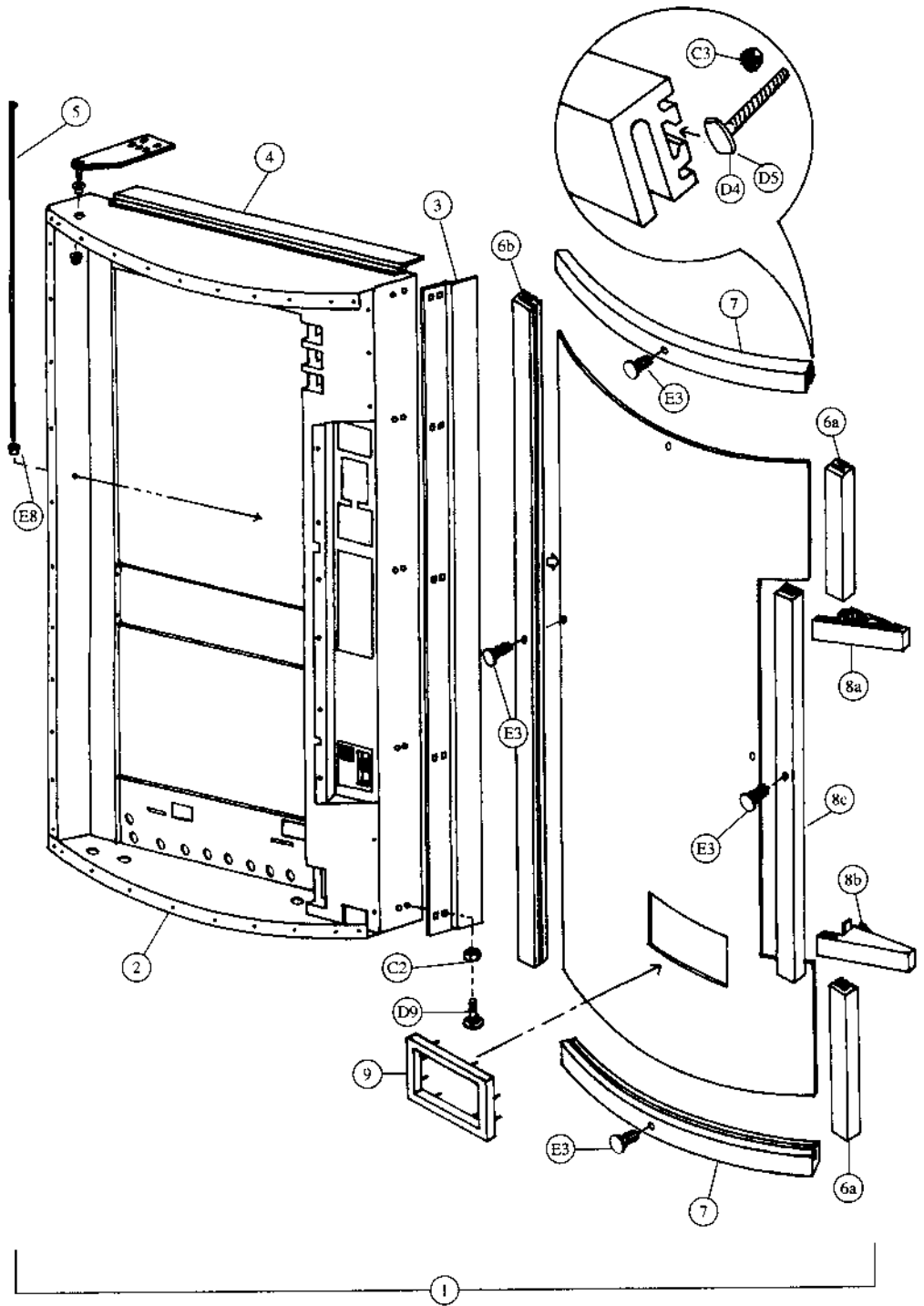


Coke (Landscape) DNCB 276CC & 300CC

Dimensions	72" H x 28 5/16" W x 30 1/2" D (1829mm H x 719mm W x 775mm D)	
Dimensions Less Door	72" H x 28 5/16" W x 27 1/2" D (1829mm H x 719mm W x 698mm D)	
Approximate Weight	574 lbs. (261kg)	
Selections/Columns	300	5/5
	276	6/6
Total 12 oz. (330ml) Cans Capacity/Vend	300	310/300
	276	282/270
Column Capacity 12 oz. (330ml) Cans	300	5 Double Columns - 62 Each
	276	3 Single Columns - 32 Each 3 Double Columns - 62 Each

Main Door - Exterior - Coke (Landscape)

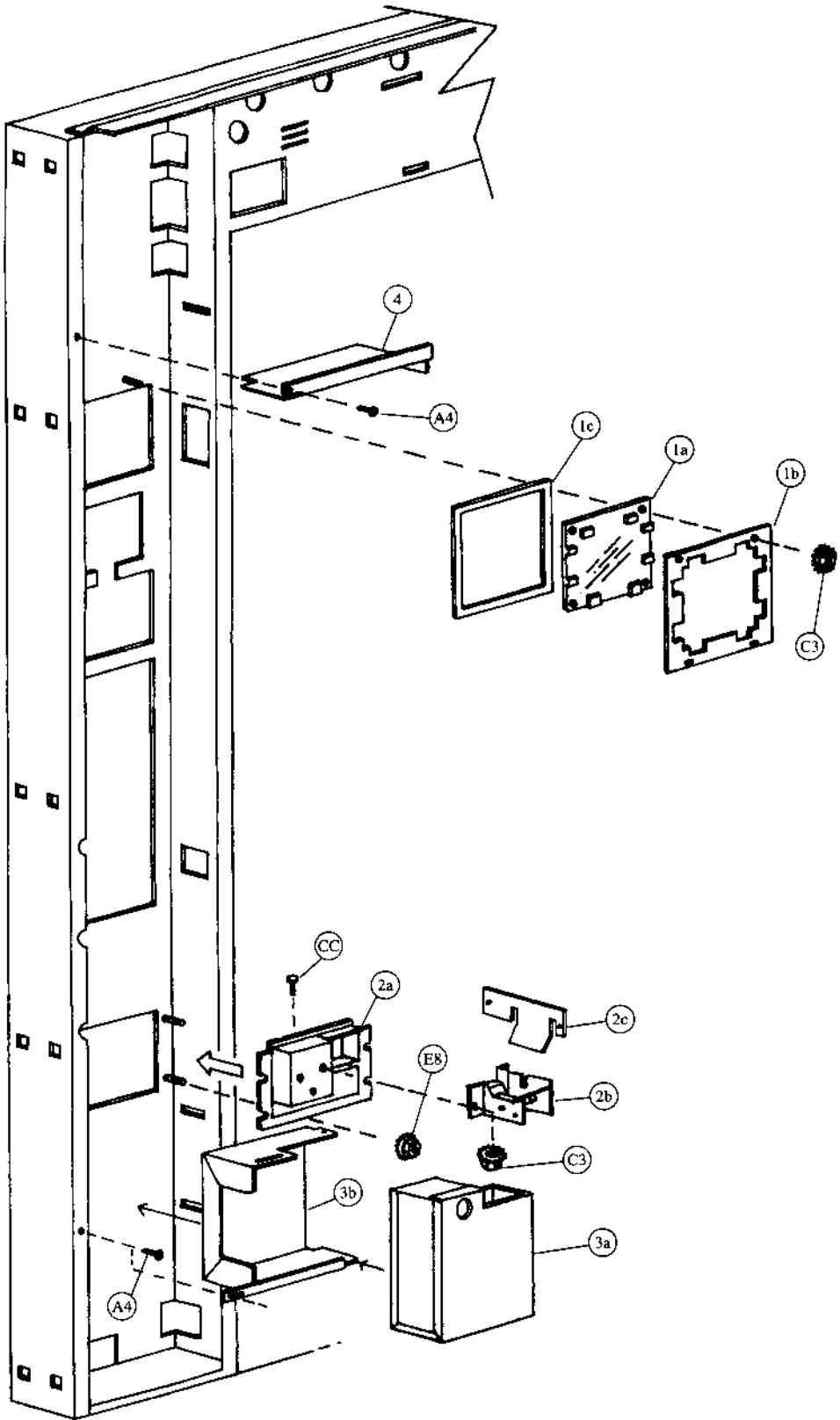


Main Door - Exterior - Coke (Landscape)

Item	Part Number	Part Name And Description
1	493,050,000.03	276 Main Door Assy. (specify graphics & harness)
	534,050,000.03	300 Main Door Assy. (specify graphics & harness)
2	493,050,100.03	276 Main Door Weld Assembly
	534,050,100.03	300 Main Door Weld Assembly
3	165,150,331.23	Protective Plate Door
4	169,050,342.33	Rain Guard
5	900,502,510.11	Tie Rod
6a	801,805,620.31	12 ³ / ₈ " (309mm) RS Vertical Trim, 20°
6b	801,805,470.01	68 ¹⁵ / ₁₆ " (1723mm) LS Vertical Trim
7	801,805,470.01	25 ¹ / ₂ " (638mm) Horizontal Trim (top & bottom)
8a	801,805,810.11	6 ¹ / ₁₆ " (167mm) Top Enclosure
8b	801,805,820.11	6 ¹ / ₁₆ " (167mm) Bottom Enclosure
8c	801,805,470.01	41 ¹⁵ / ₁₆ " (1048mm) Sign Trim
9	801,602,860.31	Delivery Port Trim

E8	900,800,510.01	Elastic Stop Nut #8 - 32	
D4	900,400,410.01	T-Bolt #8 - 32 x 1 ³ / ₈	
D5	900,400,350.31	T-Bolt #8 - 32 x ³ / ₄	(46)
E3	900,902,130.01	Christmas Tree Clip	(3)
D9	900,201,450.01	Carriage Bolt ¹ / ₄ - 20 x ¹ / ₂	(8)
C2	900,800,670.01	Keps Nut ¹ / ₄ - 20	(8)
C3	900,800,500.01	Keps Nut #8 - 32	(52)

Main Door - Interior (A) - Coke (Landscape)

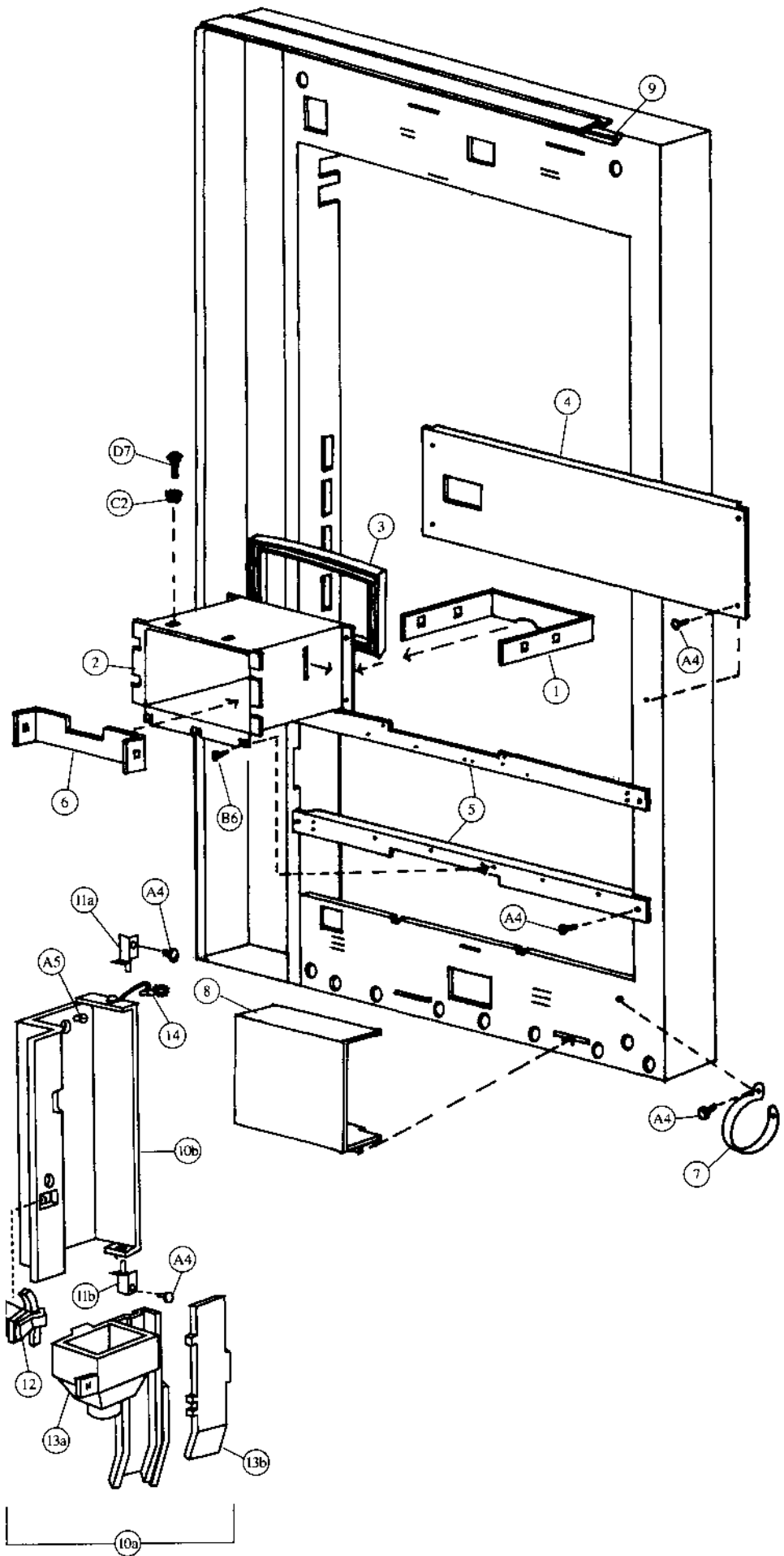


Main Door - Interior (A) - Coke (Landscape)

Item	Part Number	Part Name And Description
1a	801,806,930.01	Point Of Sale Window
1b	432,050,470.23	Point Of Sale Window Retainer
1c	902,001,030.01	Point Of Sale Window Gasket
1d	See list below	Point Of Sale Card (not shown)
	803,822,900.01	12 oz. Can (US & Canada)
	803,826,180.01	12 oz. Can (all others)
	803,826,360.01	"Coke Is It" (Taiwan)
	903,829,220.01	Minute Maid
	803,830,000.01	20 oz. Bottle
	803,829,230.11	16 oz. Bottle
	803,822,190.01	10 oz. Bottle
2a	801,805,610.11	Change Cup & Opener Bezel
2b	801,805,530.11	Change Cup
2c	399,050,270.13	Opener Housing Reinforcement Plate
3a	432,051,800.03	Lockable Cash Box, w/a
3b	432,050,181.43	Cash Box Shelf
4	432,050,340.43	Security Shelf
5	521,050,050.13	P.O.S. Window Security Channel (not shown)
6	901,000,190.01	Crown Puller (not shown)
7	432,050,400.03	Crown Catcher (not shown)
8	432,050,280.23	Crown Chute (not shown)

CC	901,201,220.11	Screw, Machine #8 - 32 x 3/4
E8	900,800,510.01	Elastic Stop Nut #8 - 32
B6	900,301,650.01	Screw, Phil Pan (with washer) #8 - 18 x 1/2 (not shown) (2)
C3	900,800,500.01	Keps Nut #8 - 32 (9)
B4	900,201,140.01	Screw, Machine Truss #10 - 32 1/2 (2)
A4	900,301,500.01	Screw, Phil Pan (without washer) #8 x 18 x 1/2

Main Door - Interior (B) - Coke (Landscape)

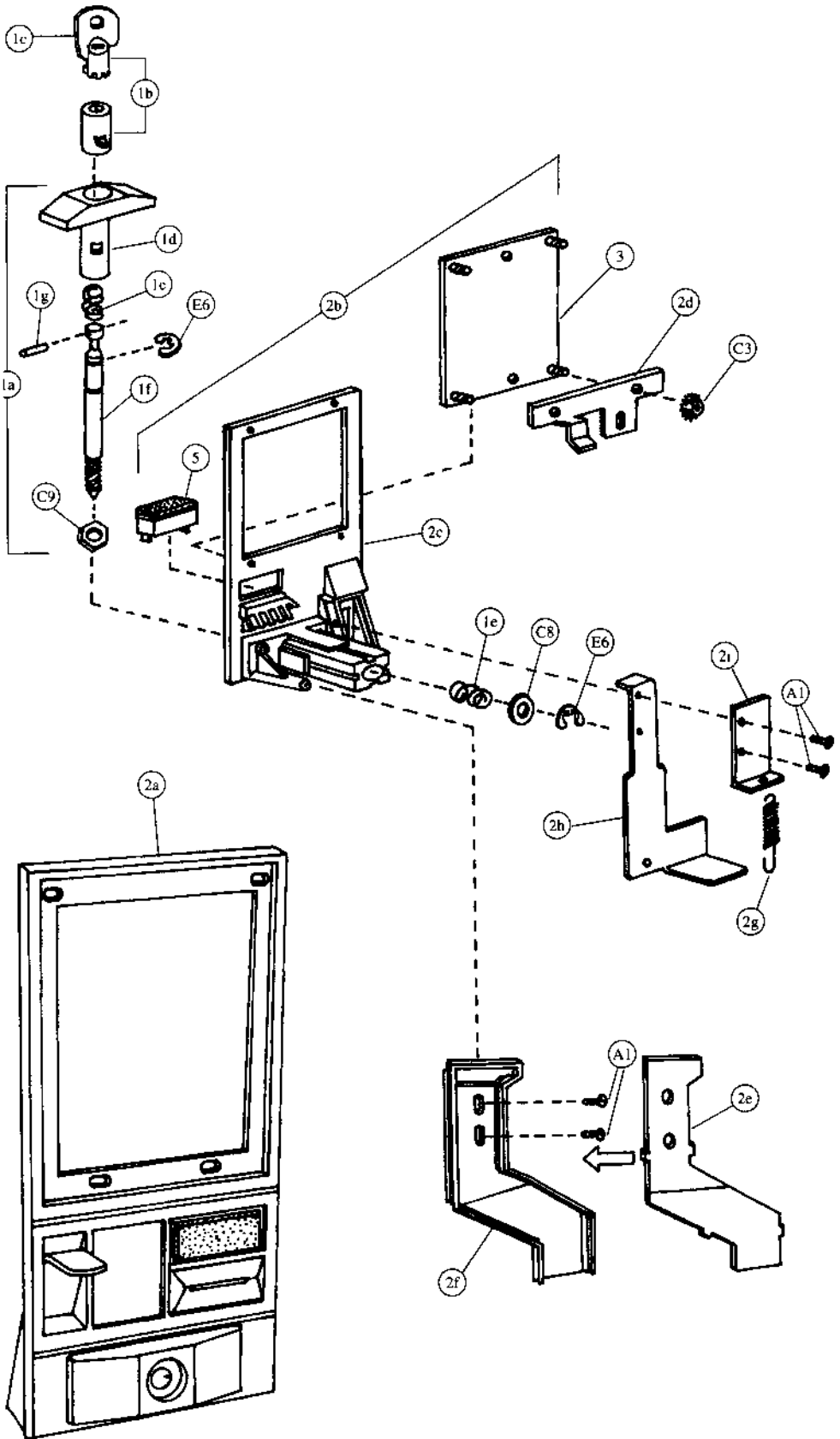


Main Door - Interior (B) - Coke (Landscape)

Item	Part Number	Part Name And Description
1	435,050,110.03	Discharge Member
2	435,050,400.03	Delivery Port (flush mount)
3	801,805,680.01	Port Spacer - Coke
4	456,050,060.13	Center Door Stiffener
5	435,050,030.23	Delivery Port Stiffener
6	399,050,150.43	Closure Strip
7	901,901,890.01	1" Clamp
8	432,050,660.03	Cover, Wire Plug
9	903,600,530.01	L-Profile Gasket
10a	491,050,600.03	Access Door Assembly (all)
10b	432,150,030.23	Access Door (all)
11a	432,051,000.03	Access Door Top Hinge, w/a
11b	432,051,101.63	Access Door Bottom Hinge, w/a
12	901,902,130.11	Access Door Latch
13a	801,806,580.11	Coin Hopper & Chute
13b	801,806,590.11	Coin Chute Front
14	804,902,610.01	4" Ground Wire (102mm)

B6	900,301,650.01	Screw, Phil Pan (with washer) #8 - 18 x ½ (3)
A5	900,301,970.01	Screw, Phil Pan #8 - 32 x ¼
C3	900,800,500.01	Keps Nut #8 - 32
A4	900,301,500.01	Screw, Phil Pan (without washer) #8 - 18 x ½ (9)
D7	900,201,170.01	Carriage Bolt ¼ - 20 x 1 (6)
C2	900,800,670.01	Keps Nut ¼ - 20 (6)
A9	900,301,560.01	Sems Screw #8 - 32 x ¾
B7	900,302,010.01	Self-Tapping Screw ¼ - 20 x 5/8

Pull-Out Handle & Coin Insert - Coke (Landscape)

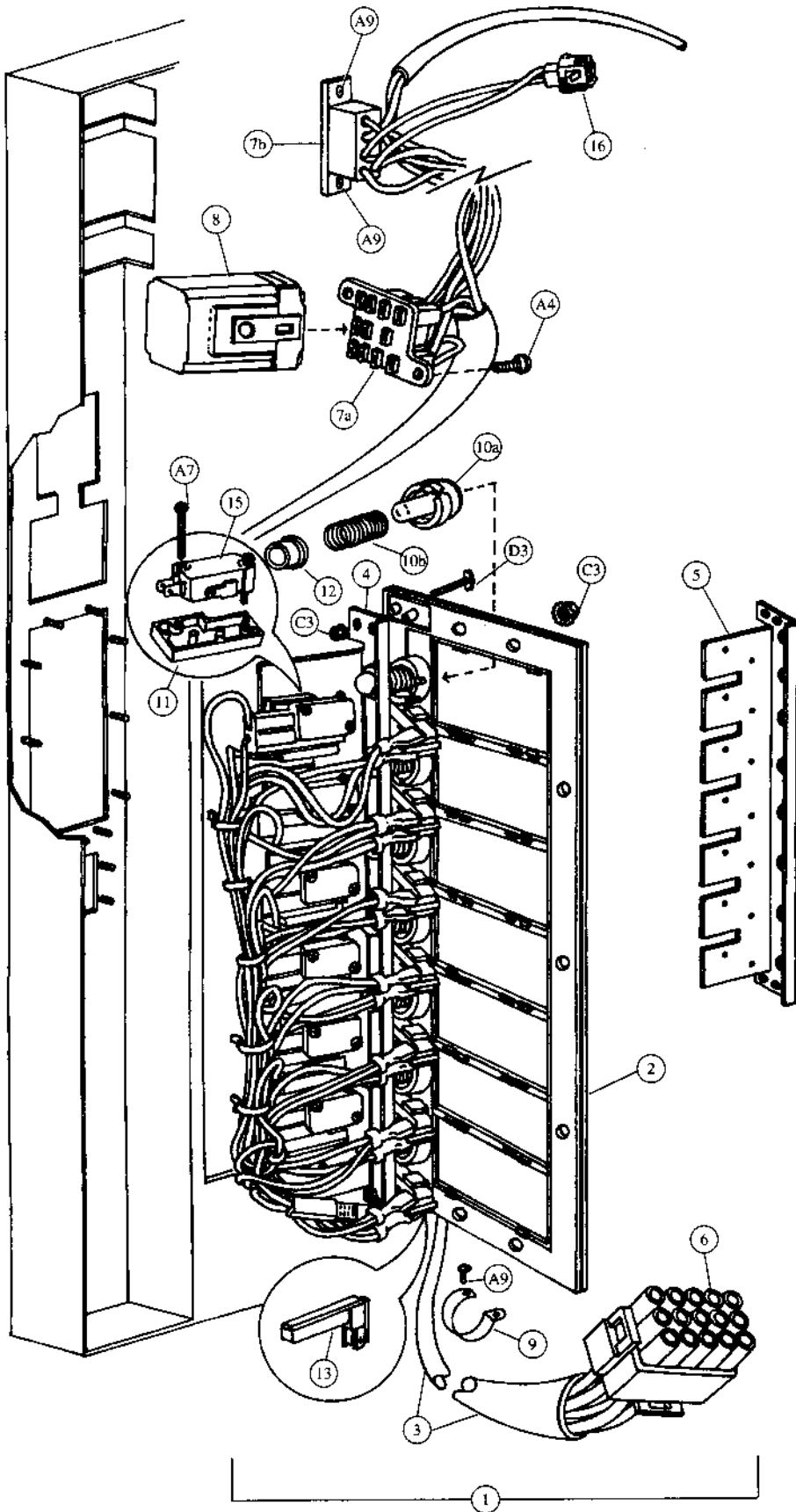


Pull-Out Handle & Coin Insert - Coke (Landscape)

Item	Part Number	Part Name And Description
1a	801,503,040.01	T Handle Assembly
1b	Specify key number	Lock with Two Keys
1c	Specify key number	Key Only
1d	801,505,730.01	Handle Only
1e	901,503,050.01	Spring
1f	4255-6-44W	Stud
1g	901,503,090.11	Cross Pin
2a	See list below	Complete Coin Insert Kit with T Handle
	491,010,800.04	Domestic (USA and Canada)
	Not applicable	Export (All others except listed below)
	Not applicable	Mexico
	Not applicable	Argentina - Token
2b	See list below	Complete Coin Insert Kit without T Handle
	491,050,500.03	Domestic (USA and Canada)
	491,150,500.03	Export (All others except listed below)
	480,350,500.03	Mexico
	480,550,500.03	Argentina - Token
2c	See list below	Coin Insert Only
	801,201,160.41	Domestic (USA and Canada)
	801,201,170.21	Export (All others except listed below)
	801,201,280.11	Mexico
	801,201,270.21	Argentina - Token
2d	453,050,130.83	Coin Insert Retainer
2e	801,805,800.31	Coin Chute Cover
2f	801,805,790.61	Coin Chute
2g	901,700,630.11	Spring Extension
2h	453,050,800.03	Coin Return Plunger Assembly
2i	432,050,570.33	Plunger Bracket
3	432,050,210.23	Validator Plate
4	See list below	Instruction Label (not shown)
	803,822,940.01	English
	903,832,680.01	Irish
	803,825,760.01	Spanish
	803,825,410.01	French
	803,825,750.01	Italian
	803,825,740.01	German
5	See list below	Correct Change Lamp
	904,700,180.31	English "Use Correct Change"
	804,700,500.11	English, IEC Standard "Use Correct Change"
	804,700,440.31	Spanish "Importe Exacto"
	804,700,450.21	French "Faites L'Appoint"
	804,700,400.21	Italian "Usare Monete Contate"
	804,700,470.21	Turkish "Lutfen Para Atiniz"
	804,700,480.21	German "Abgezahltes Geld Verwendeb"
904,700,490.21	Portuguese "Introduza Quantia Exacta"	
6	801,806,080.11	Drip Chute (not shown)

E6	901,503,070.01	E Ring	(2)
C8	901,503,060.01	Flat Washer	
C9	901,503,080.01	Hex Washer	
A1	900,301,700.01	Sems Screw #6-32 x 3/8	(4)
C3	900,800,500.01	Keps Nut #8-32	(4)

Select Panel - Coke (Landscape)

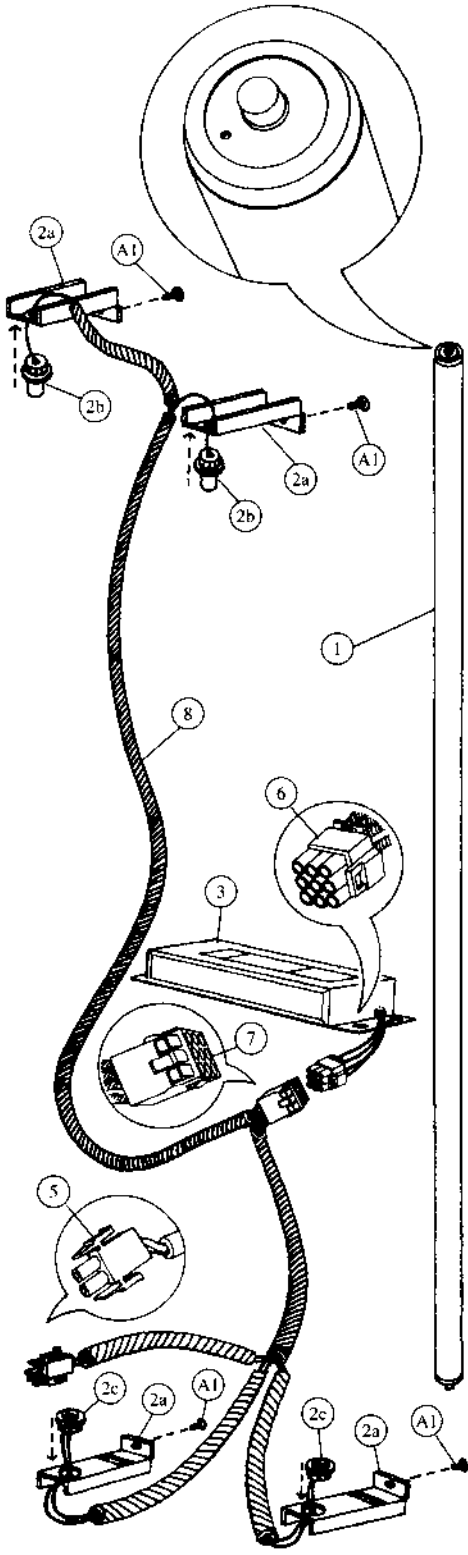


Select Panel - Coke (Landscape)

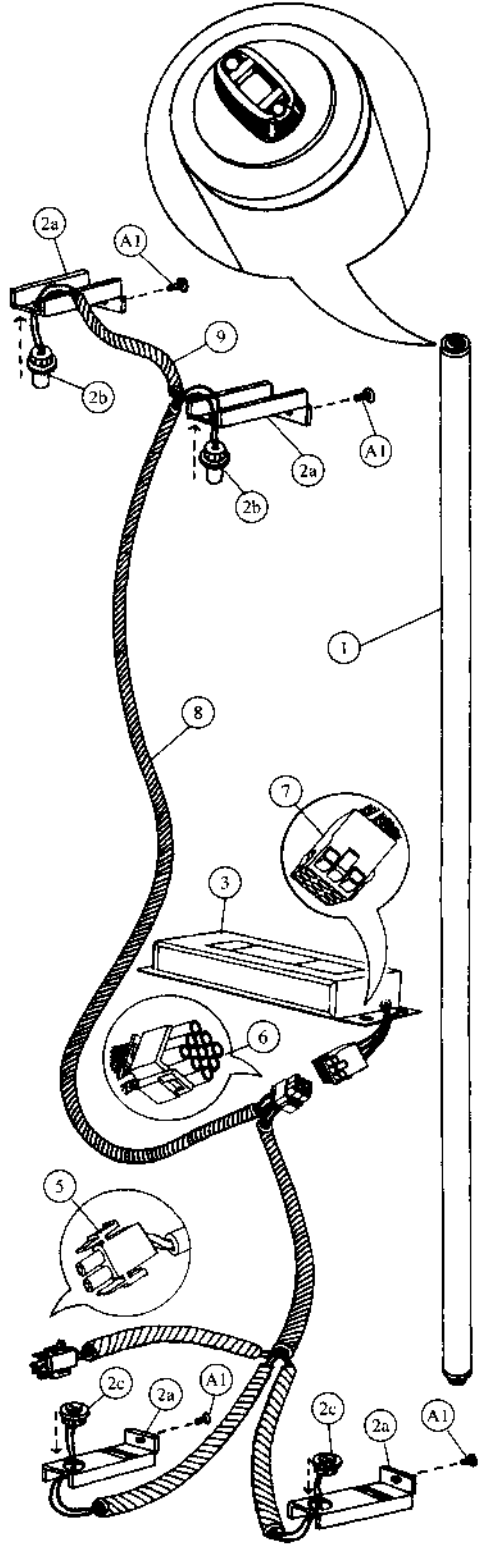
Item	Part Number	Part Name And Description
1	443,050,400.03	276 Select Panel Assembly (specify harness)
	495,050,400.03	300 Select Panel Assembly (specify harness)
2	801,805,730.01	276 Select Panel
	801,805,720.01	300 Select Panel
3a	See list below	276 Door Harness
	804,903,740.31	Single Price & Single Price - IEC Standard
	804,903,940.41	Two Price & Two Price - IEC Standard
	804,904,070.41	Four Price & Four Price - IEC Standard
3b	See list below	300 Door Harness
	804,903,760.21	Single Price & Single Price - IEC Standard
	804,903,980.31	Two Price & Two Price - IEC Standard
	804,904,100.31	Four Price & Four Price - IEC Standard
4	443,050,700.03	276 Select Switch Bar Assembly
	495,050,700.03	300 Select Switch Bar Assembly
5	443,050,030.63	276 Select Switch Bar
	445,050,150.63	300 Select Switch Bar
6	904,600,830.01	15-Way Plug
7a	904,600,620.01	Socket, Relay
7b	904,600,600.01	Socket, Coin Changer
8	804,200,170.01	Vend Relay (single price only)
9	901,901,890.01	1" Clamp
10a	801,805,710.21	Push Button
10b	901,700,720.11	Push Button Spring
11	801,805,920.21	Switch Insulator
12	902,000,580.01	Nylet
13	804,700,210.01	Sold Out Lamp
14	Indicate flavor	Flavor Cards (not shown)
15	804,100,710.01	Select Switches (single Micro)
16	904,600,700.01	2-Way Cap

A4	900,301,500.01	Screw, Phil Pan (without washer) #8 - 18 x 1/2 (2)
A9	900,301,560.01	Sems Screw #8 - 32 x 3/8 (7)
A7	900,300,470.01	Screw, Phil Pan #4 x 3/4 (14)
D3	900,400,430.01	T-Bolt #8 - 32 x 1 (4)
C3	900,800,500.01	Keps Nut #8 - 32 (14)

Lighting - Coke (Landscape)



Slimline



High-Output

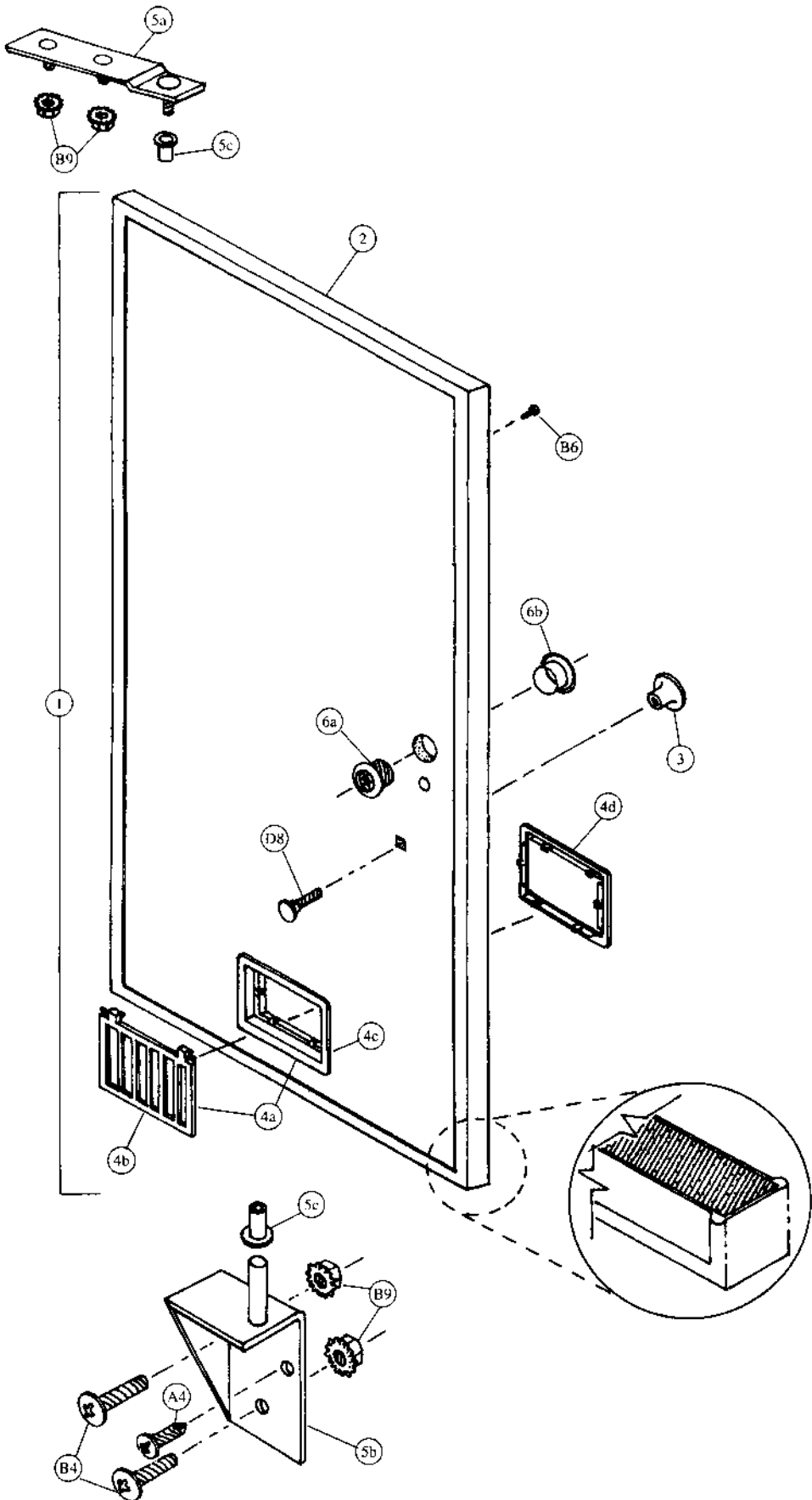
Lighting - Coke (Landscape)

Item	Part Number	Part Name And Description
High-Output Lighting		
1	804,700,370.01	Fluorescent Bulb - F64T12/D/HO
2a	432,050,380.63	Door Bracket Lamp Socket
2b	804,901,990.01	Top Lamp Holders - 523
2c	804,902,000.01	Bottom Lamp Holders - 524
3	804,400,380.01	Plug-In Ballast, Advance #VSM/HO
4	904,800,520.01	Connector, Electrical (not shown) (scotchlock 557)
5	904,600,710.01	2-Way Plug
6	904,600,670.01	9-Way Plug
7	904,600,660.01	9-Way Cap
8	804,904,510.21	Plug-In Ballast Harness, High Output
9	804,904,920.11	Lamp Fixture Jumper, High Output

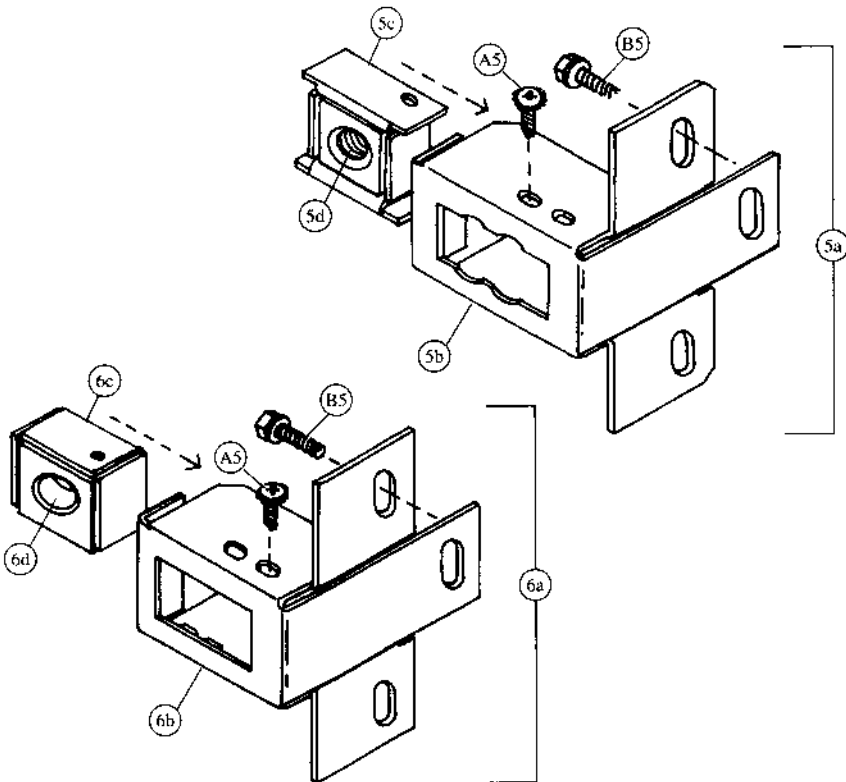
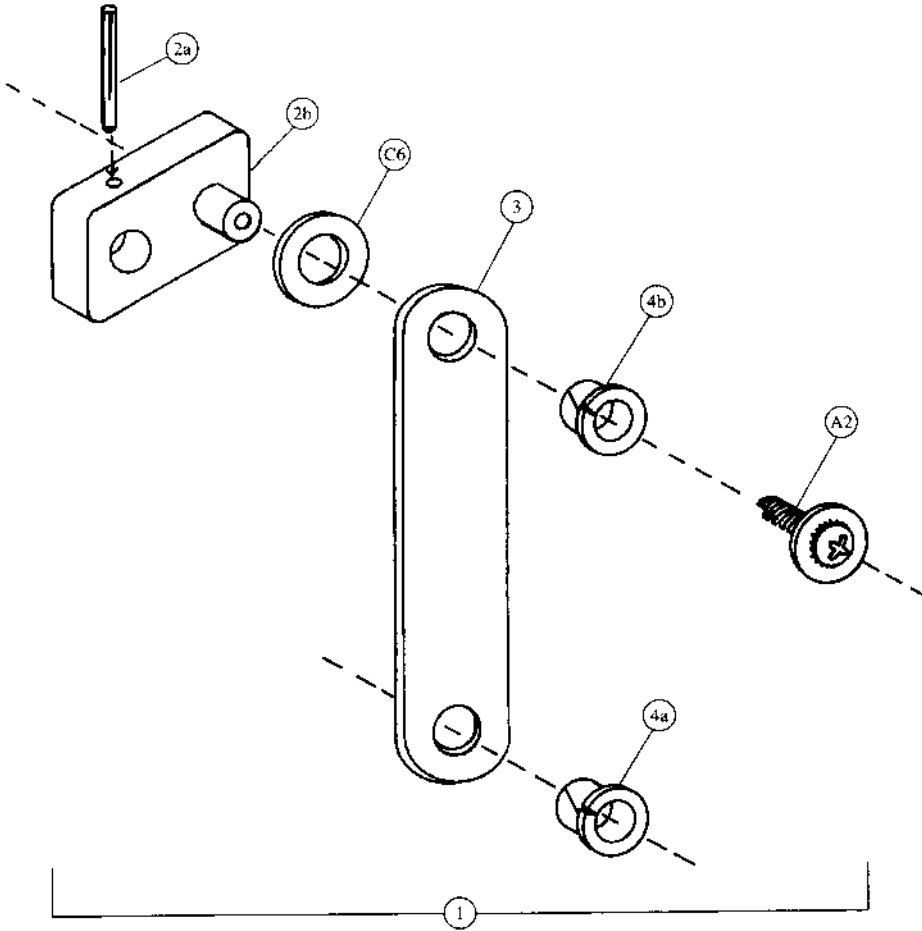
Slimline Lighting		
1	804,700,300.01	Fluorescent Bulb - F64T12/DAYLT
2a	432,050,380.63	Door Bracket Lamp Socket
2b	804,902,020.01	Top Lamp Holders - 516
2c	804,902,030.01	Bottom Lamp Holders - 517
3	804,400,370.11	Plug-In Ballast - Advance Slimline
4	904,800,520.01	Connector, Electrical (not shown) (scotchlock 557)
5	904,600,710.01	2-Way Plug
6	904,600,670.01	9-Way Plug
7	904,600,660.01	9-Way Cap
8	804,904,600.61	Plug-In Ballast Harness, Slimline

A1	900,301,700.01	Sheet Metal Screw #6 - 32 x 3/8 (4)
----	----------------	-------------------------------------

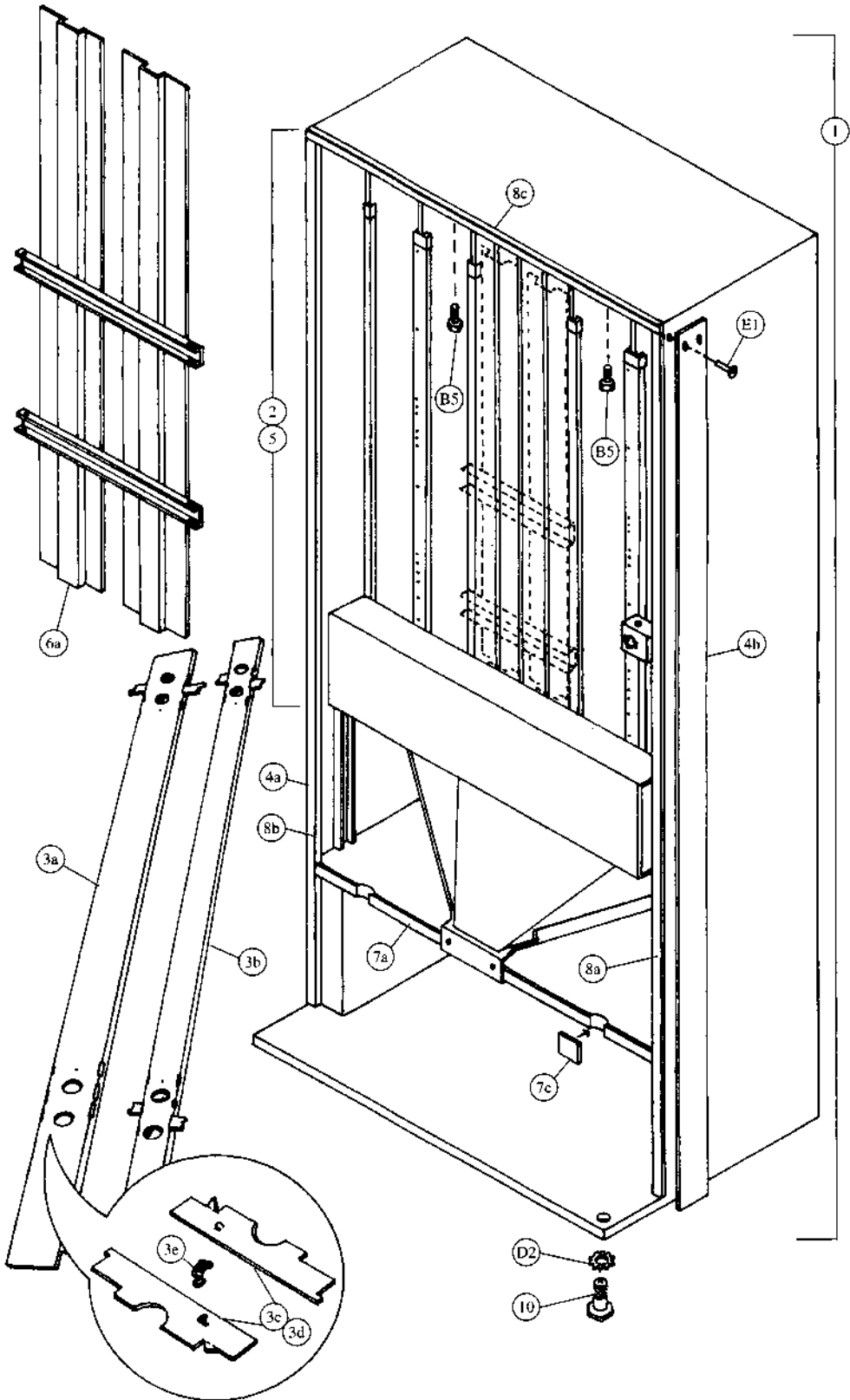
Inner Door - Coke (Landscape)



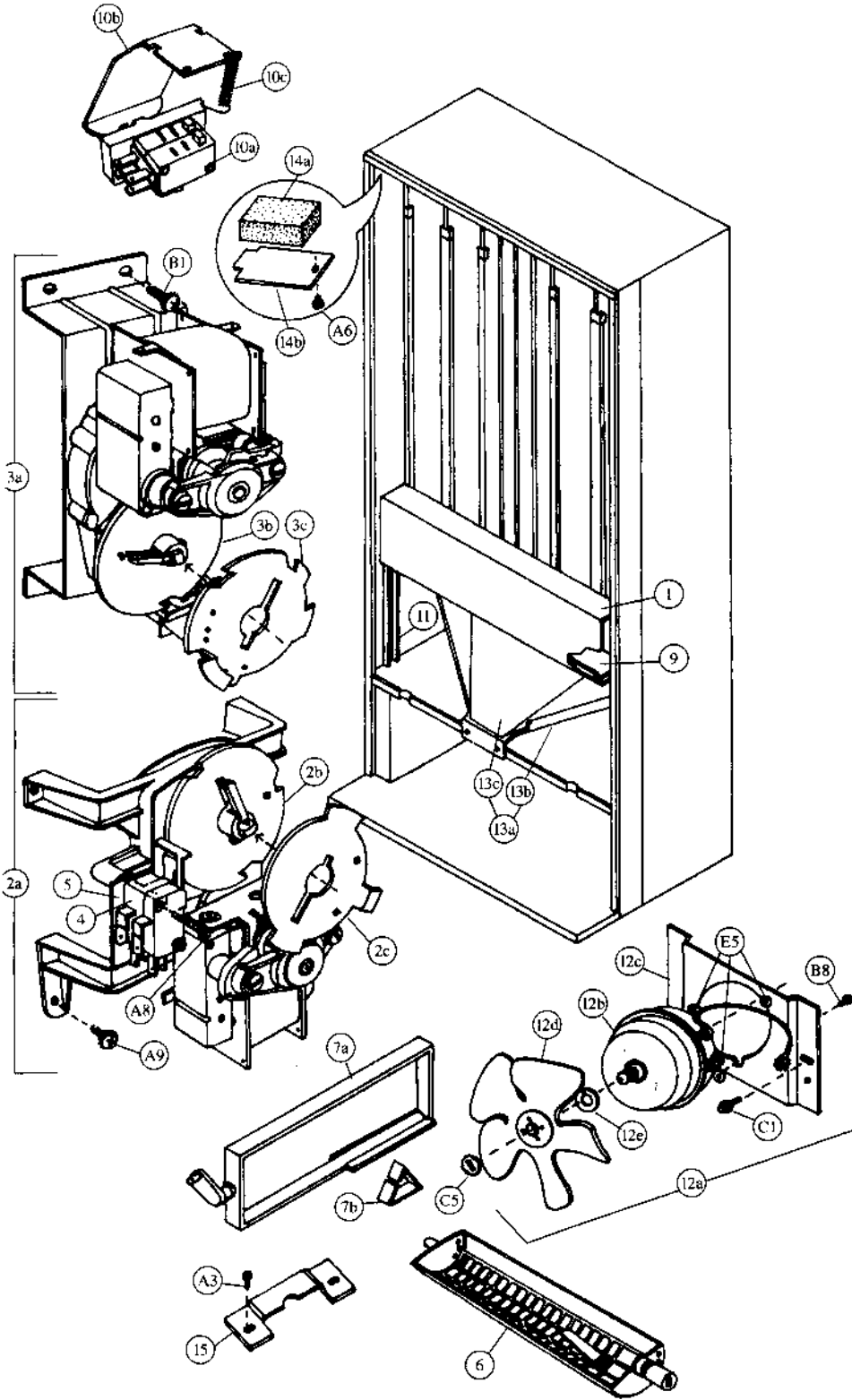
Two-Bar Linkage & Nut Retainer Housing - Coke (Landscape)



Cabinet Interior - Coke (Landscape)



Cabinet & Vend Mechanism - Coke (Landscape)

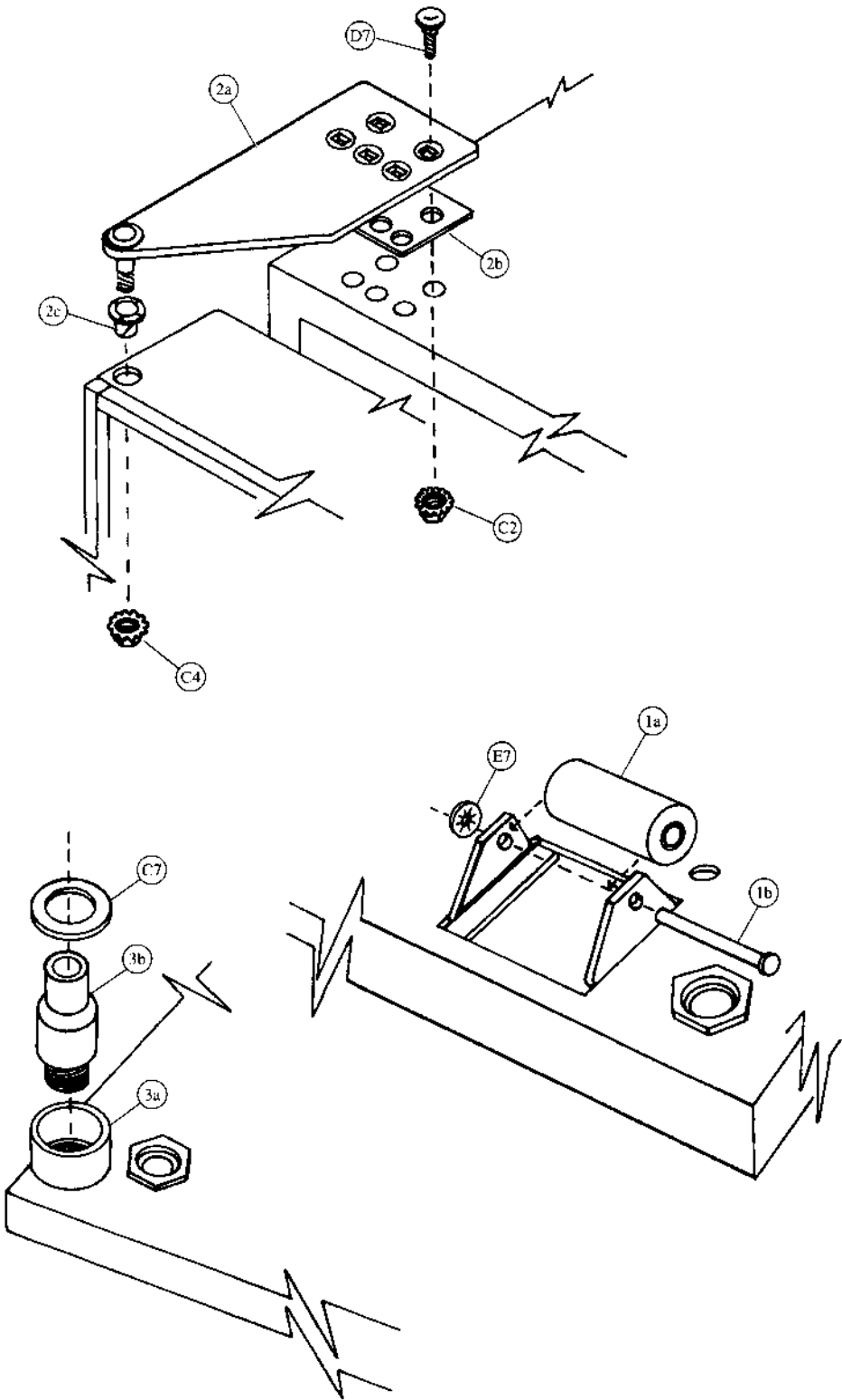


Cabinet & Vend Mechanism - Coke (Landscape)

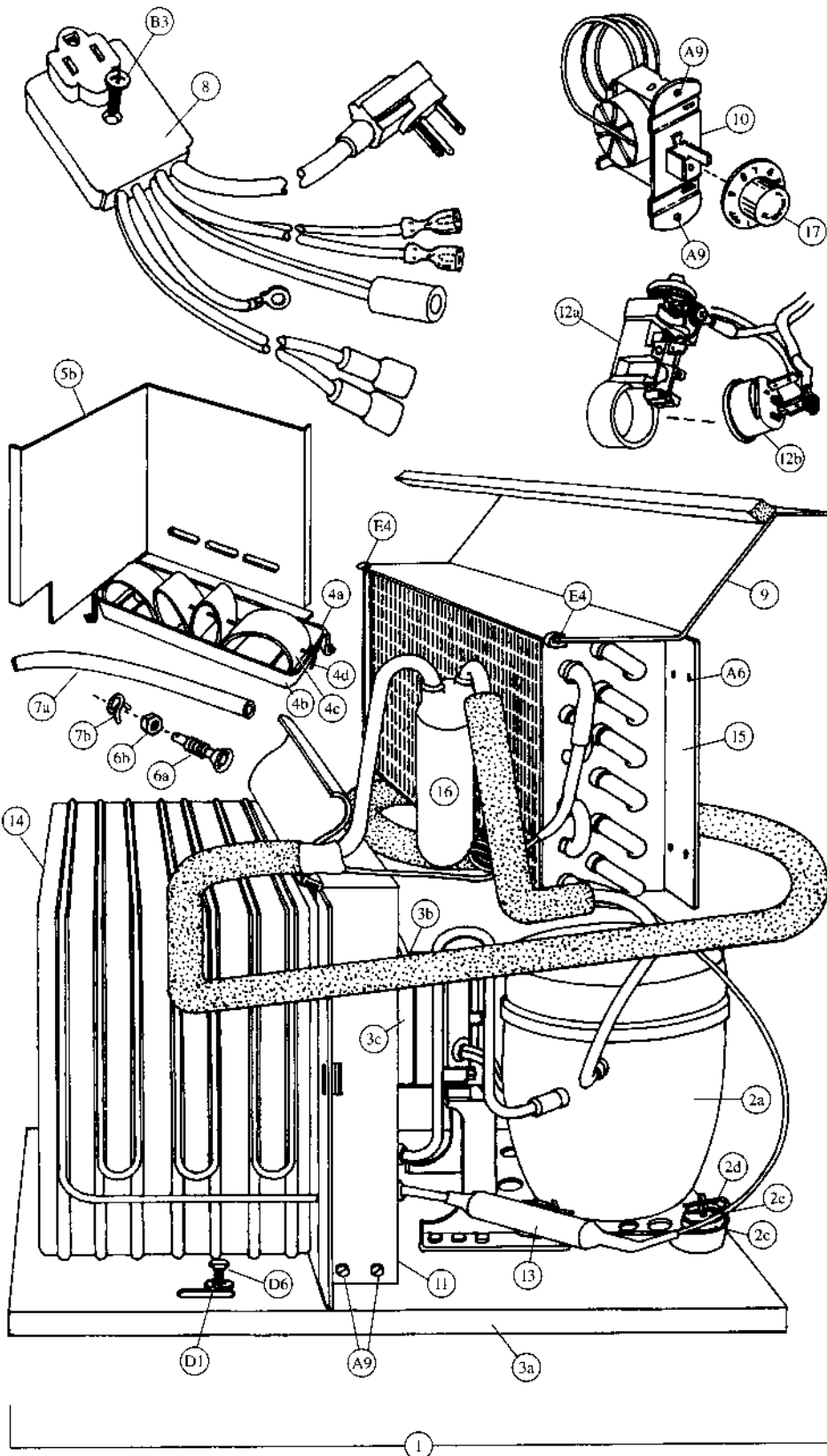
Item	Part Number	Part Name And Description
1	493,170,010.23	Vend Motor Cover, Narrow
	491,071,300.03	Vend Motor Cover, Narrow - IEC Standard
2a	See list below	Vend Motor Assembly, Wide
	491,070,300.03	Single Price
	491,170,100.03	Two/Four Price
2b	801,806,390.21	Vend Cam, Blue
2c	801,806,400.11	Adjustable Cam, Gold
3a	See list below	Vend Motor Assembly, Narrow (276 only)
	491,070,400.03	Single Price
	491,170,200.03	Two/Four Price
3b	801,806,180.21	Vend Cam, Brown (276 only)
3c	801,806,610.21	Adjustable Cam, Brown (276 only)
4	See list below	Vend Motor Switch
	804,100,600.01	Single Price (Double Switch)
	804,100,690.01	Single Price - IEC Standard (Double Switch)
	804,100,700.01	Two/Four Price - IEC Standard (Triple Switch)
5	905,800,330.11	Vend Motor Switch Insulator
6	801,201,211.61	Vend Rotor - Narrow Column (276 only)
7a	801,201,010.01	Vend Oscillator - Wide Column
7b	901,700,650.31	Can Retainer Oscillator
8a	801,803,170.21	Nyliner, Rear (not shown)
8b	901,804,230.01	Nyliner, Front - Wide Column only (not shown)
9	275,070,110.43	Wire Shield
10a	804,100,610.01	Sold Out Switch Assembly
	804,100,680.01	Sold Out Switch Assembly - IEC Standard
10b	432,070,190.13	Sold Out Paddle
10c	901,700,740.01	Sold Out Paddle Spring
11	491,020,070.33	Mechanism Support
12a	See list below	Evaporator Fan Motor Assembly
	491,000,200.03	115v
	491,140,400.03	220-240v
12b	See list below	Evaporator Fan Motor
	804,500,590.01	115v
	804,500,520.01	220-240v
12c	164,040,080.73	Evaporator Fan Motor Bracket
12d	801,303,270.11	Evaporator Fan Blade
12e	902,100,290.01	Silencer
13a	408,170,100.03	Can Chute Assembly (includes 13b & 13c)
13b	408,170,010.03	Can and Bottle Chute
13c	801,902,020.01	Chute Liner (Kydex)
14a	903,300,770.01	Foam Block
14b	169,000,130.03	Hinge Pocket Cover
15	176,072,110.13	Journal

C1	900,901,510.02	Screw, Phil Pan Tapping	
A3	900,301,830.01	Sems Screw #10 - 32 x 3/8	(8)
A6	900,600,230.02	Sheet Metal Screw, Type "A"	
B8	900,301,690.01	Hex Tap Screw #8 - 32 x 3/8	(3)
A8	900,301,820.01	Vend Motor Screw #4 x 1 1/6 - Double Switch	(16)
	900,301,610.01	Vend Motor Screw #4 x 1 1/2 - Triple Switch	
A9	900,301,560.01	Sems Screw #8 - 32 x 3/8	(28)
E5	900,401,090.01	Grommet, Black Rubber #97	(3)
C5	900,800,850.01	Speed Nut	
B1	900,301,850.01	Sems Screw #8 - 32 x 5/8	

Hinges and Rollers - Coke (Landscape)



Refrigeration - Coke (Landscape)



Refrigeration System - Coke (Landscape)

Item	Part Number	Part Name And Description
1	Provide information listed	Complete Refrigeration System: Indicate unit model number from serial plate on unit base plate, refrigerant, voltage/hertz and country.
2a	Provide information listed	Compressor ¼ HP: Indicate compressor manufacturer, voltage/hertz, refrigerant and complete manufacturer's model number.
2b	See listing below	Compressor Lead Harness (not shown)
	904,900,611.01	All, except IEC Standard
	804,904,340.01	220-240v/50hz, IEC Standard
2c	902,000,570.01	Compressor Mounting Grommet
2d	900,901,880.01	Compressor Mounting Retainer Clip
2e	901,803,910.01	Compressor Grommet Plug, Plastic
3a	491,040,040.43	Condenser Base Plate
3b	See list below	Condenser Fan Motor Assembly
	491,040,200.03	115v
	491,140,300.03	220-240v
3c	See list below	Condenser Fan Motor
	804,500,670.01	115v
	804,500,700.01	220-240v
3d	800,103,370.02	Fan Blade (not shown)
4a	491,000,100.03	Drain Pan Assembly
4b	801,303,670.11	Drain Pan
4c	901,900,020.21	Soaker (8 required)
4d	901,400,060.11	Soaker Rod
5a	491,040,030.33	Condenser Baffle, Right Side (not shown)
5b	493,040,040.03	Condenser Baffle, Rear
6a	801,806,050.11	Drain Tube
6b	900,301,790.01	Drain Tube Nut
7a	901,900,500.01	Drain Hose
7b	900,901,030.01	Drain Hose Clamp
8	See listing below	Main Wiring Harness
	804,902,220.01 (a)	United States
	804,905,480.01 (b)	Australia, IEC 335 (not shown)
	804,905,490.01 (c)	United Kingdom, IEC 335 (not shown)
	804,902,160.21 (d)	Europe (not shown)
	804,903,160.01 (e)	Mexico (not shown)
	804,905,450.01 (f)	Italy (not shown)
	804,905,470.01 (g)	Danish, IEC 335 (not shown)
804,905,360.01 (h)	Germany, with Splashwater Protector (not shown)	
9	143,040,011.13	Top Fan Housing
10	802,800,410.01	Temperature Control
11	491,040,110.43	Fan Shroud Condenser
12a	Provide information listed	Relay: Indicate compressor manufacturer, model # and voltage/hz
12b	Provide information listed	Overload: Indicate compressor manufacturer, model # and voltage/hz
13	802,401,260.01	Dryer
14	802,600,560.01	Condenser
15	802,600,370.51	Evaporator
16	802,400,460.01	Accumulator
17	802,800,420.01	Knob, Temperature Control
A6	900,600,230.02	Sheet Metal Screw, Type "A" (not shown) (2)
A9	900,301,560.01	Sems Screw #8 - 32 x ¾ (8)
B3	900,301,810.01	Screw, #10 - 32 x 1½
D1	900,700,360.01	Lockwasher, ¾" (2)
E4	900,901,890.01	Tinnerman Clip (2)
D6	900,400,440.01	Refrigeration Bolt ¾ - 16 x 1 (2)

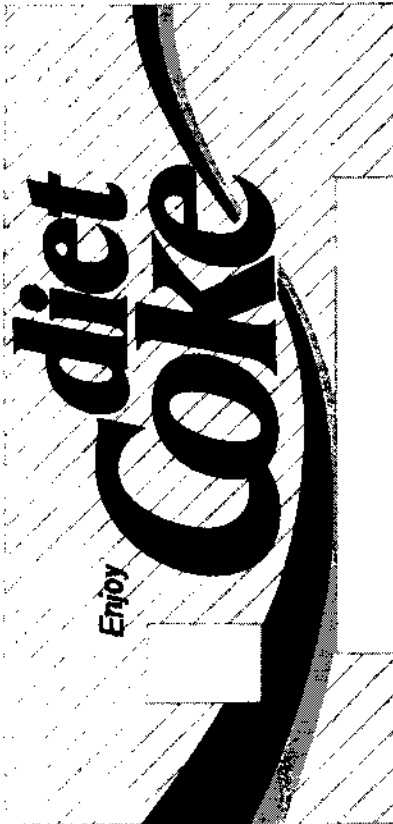
Signs and Decals - Coke (Landscape)



1



4



2

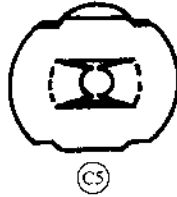
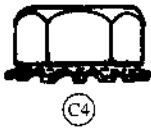
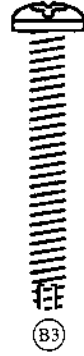


5

Signs & Decals - Coke (Landscape)

Item	Part Number	Part Name And Description
1	See list below	Circular Coke Signs
	805,006,470.31	Coca-Cola (USA) (shown)
	805,006,670.01	Coca-Cola Beba
	805,006,700.01	Coca-Cola French
	805,006,780.01	Coca-Cola International
	805,007,230.01	Coca-Cola Italy
	805,007,820.01	Coca-Cola Buvez
	805,008,050.01	Coca-Cola Australia
	805,008,450.01	Coca-Cola Dominant Chinese Front
	805,008,650.01	Coca-Cola Tome Buenos Aires
	805,009,530.01	Coca-Cola Taiwan
	805,009,680.01	Coca-Cola Can On Ice
	805,009,480.01	Coca-Cola Lit Bevette Italy
	2	805,006,600.01
3	805,009,390.01	Minute Maid Sign
4	See list below	Coca-Cola Side Decals
	803,822,210.11	Coca-Cola (USA) (shown)
	803,823,110.01	Coca-Cola Beba
	803,823,280.01	Coca-Cola CSA French
	803,823,390.01	Coca-Cola International
	803,825,030.01	Coca-Cola Italy
	803,826,140.01	Coca-Cola France
	803,827,620.01	Coca-Cola Dominant English
	803,827,670.01	Coca-Cola Tome Buenos Aires
	803,829,410.01	Coca-Cola Taiwan
	803,831,000.01	Coca-Cola Greece
	803,829,390.01	Coca-Cola Light Bevette
	903,829,390.01	Coca-Cola Lit Bevette Italy
5	803,822,970.01	Diet Coke Side Decal (shown)
6	803,826,380.01	Minute Maid Side Decal

Screws & Nuts - Coke (Landscape)



Washers, Bolts & Misc. - Coke (Landscape)

