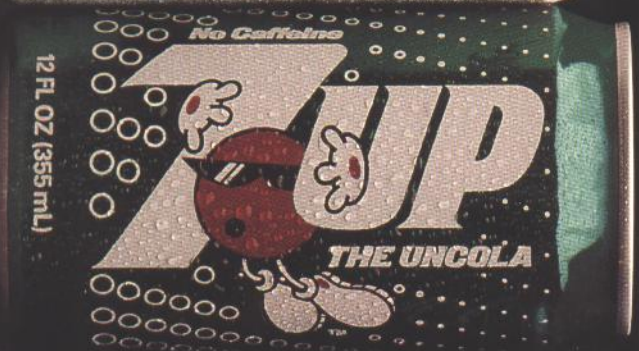
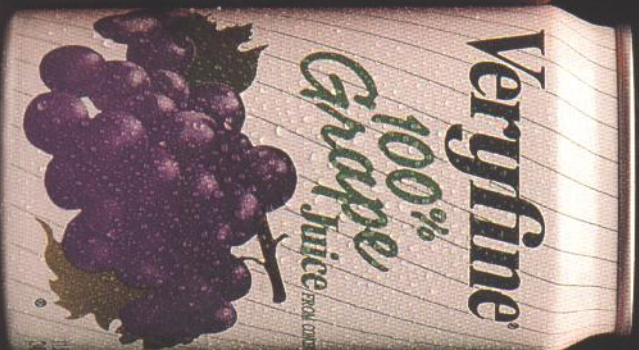
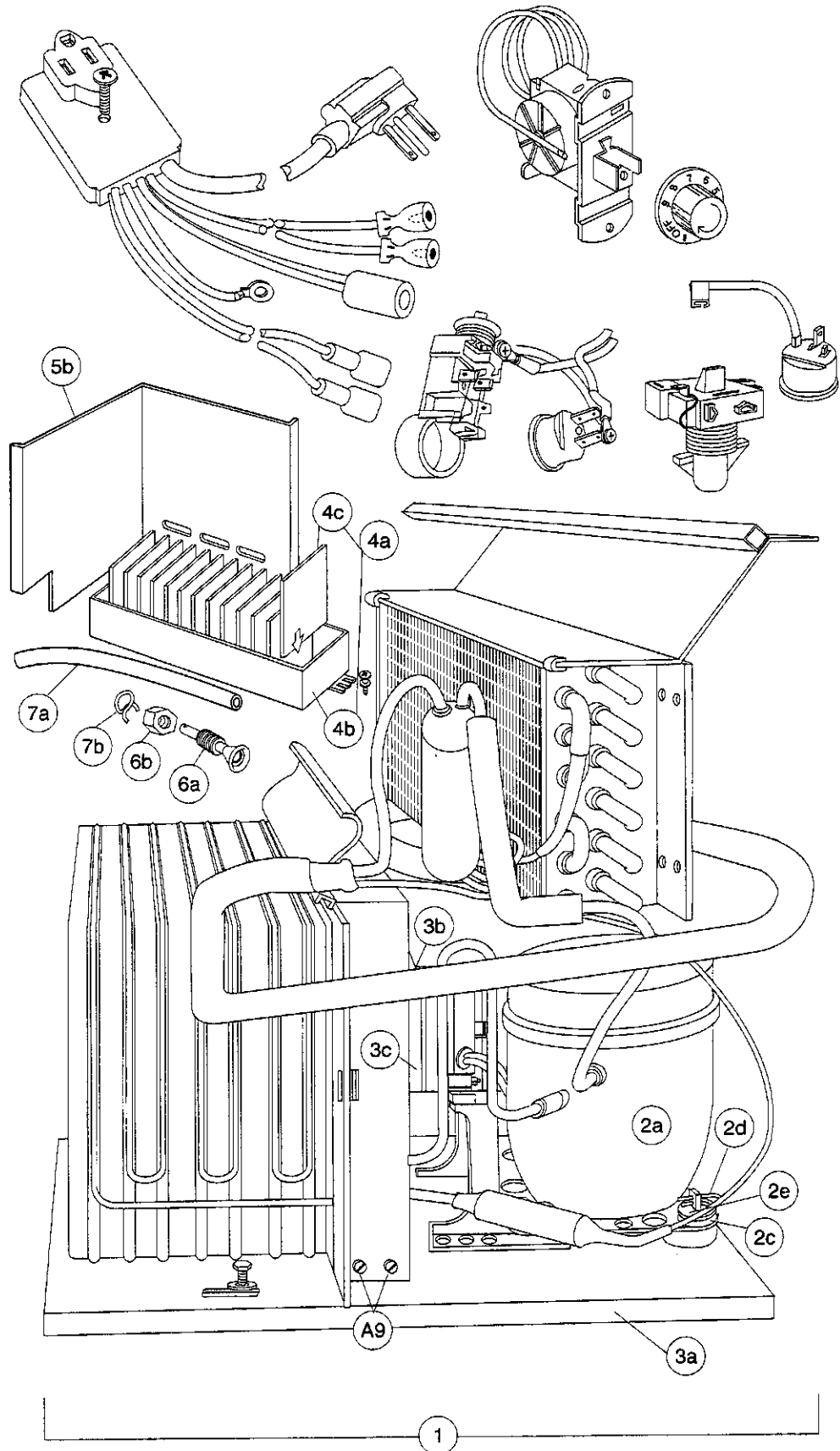


The Parts Book



Refrigeration System

Can Display, Cold Drink FLS, Dr Pepper (D3), Generic Round, 7Up (B7),
Veryfine Circular(0001-3194C0 to 0001-6169AS), Veryfine/RC Inverted "L" Circular



Parts List - Refrigeration System

Dixie-Narco

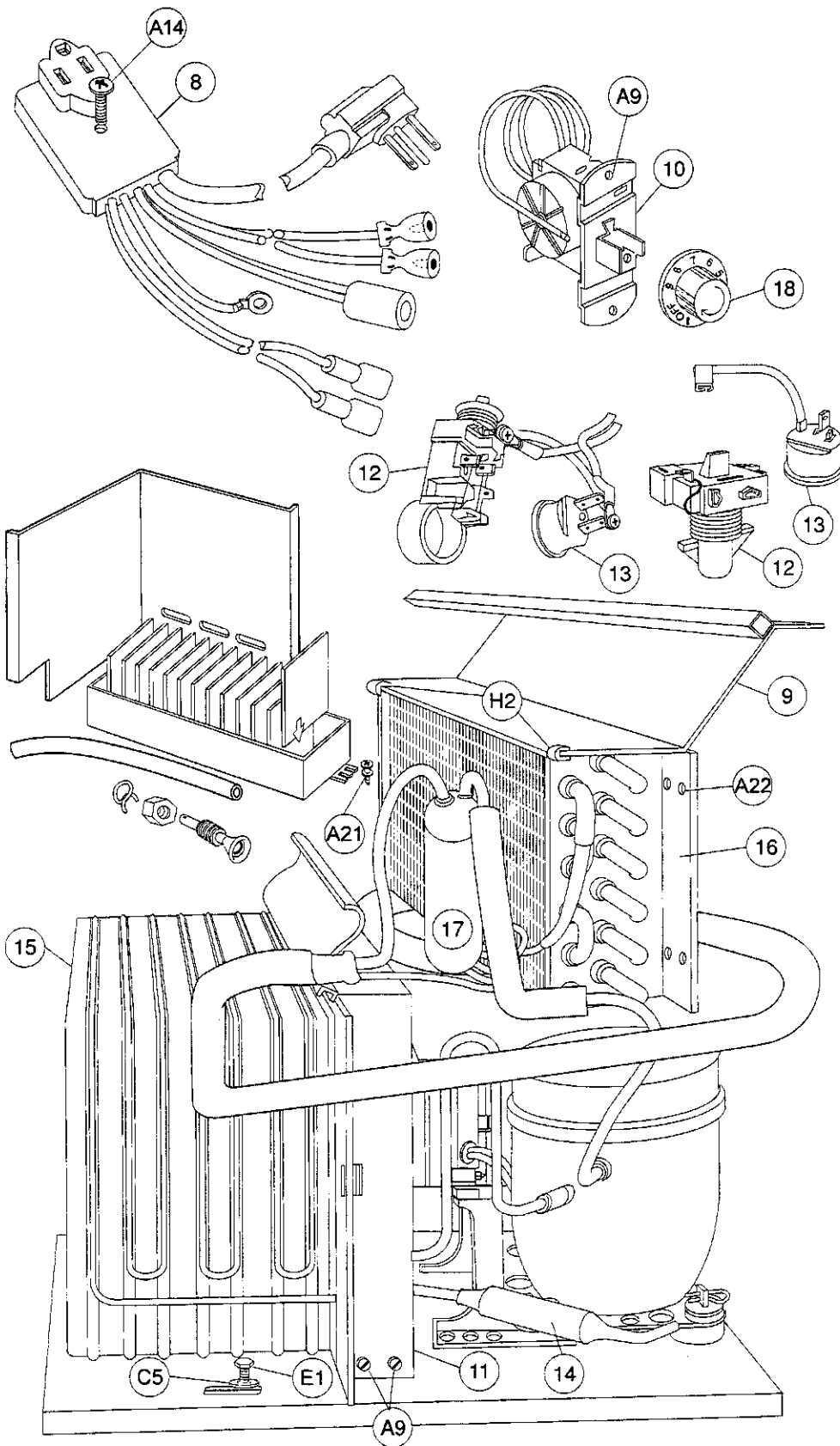
Can Display, Cold Drink FLS, Dr Pepper (D3), Generic Round, 7Up (B7),
Veryfine Circular(0001-3194CO to 0001-6169AS), Veryfine/RC Inverted "L" Circular

Item	Part Number	Part Name And Description By Model Number
1	Provide information listed	Complete S1/3 HP Refrigeration System: 501/600 Indicate unit model number from serial plate on unit base plate, refrigerant, voltage/hertz and country.
	Provide information listed	Complete 1/3 HP Refrigeration System: 348/360/368/414/432/440 Indicate unit model number from serial plate on unit base plate, refrigerant, voltage/hertz and country.
	Provide Information listed	Complete 1/4 HP Refrigeration System: 276 Indicate unit model number from serial plate on unit base plate, refrigerant, voltage/hertz and country.
2a	Provide information listed	Compressor S1/3 HP: Indicate compressor manufacturer, voltage/hertz, refrigerant and complete manufacturer's model number.
	Provide information listed	Compressor 1/3 HP: Indicate compressor manufacturer, voltage/hertz, refrigerant and complete manufacturer's model number.
	Provide information listed	Compressor 1/4 HP: Indicate compressor manufacturer, voltage/hertz, refrigerant and complete manufacturer's model number.
2b		Compressor Lead Harness (not shown)
	904,900,611.11	All, Except IEC Standard
	804,905,320.21	S1/3HP & 1/3 HP 220-240v/50hz, Europe
	804,905,340.21	1/4 HP 220-240v/50hz, Europe
2c		Compressor Mounting Grommet
	902,000,570.11	All Models
2d		Compressor Mounting Retainer Clip
	900,901,880.01	All Models
2e		Compressor Grommet Plug Plastic
	901,803,910.01	All Models
3a		Condenser Base Plate, 1/4 & 1/3
	491,040,040.83	All Models
3b		Condenser Fan Motor Assembly
	491,040,200.03	115V - All Models
	491,140,300.03	220-240V
3c		Condenser Fan Motor
	804,500,670.21	115V - All Models
	804,500,700.31	220-240V - All Models
3d		Fan Blade, Condenser
	800,103,370.02	All Models
4a		Drain Pan Assembly w/ Fiberglass Soakers
	491,000,100.23	All Models
4b		Drain Pan, Plastic with Fingers
	801,804,240.71	All Models
4c		Soaker, Fiberglass (14 required)
	905,800,690.01	All Models
5a		Condenser Baffle, Right Side
	491,040,050.73	Wide Venders (not shown)
	493,040,030.53	Narrow Venders
5b		Condenser Baffle, Rear
	497,040,060.33	501/600
	491,040,060.93	360/348/368/414/432/440
	493,040,040.43	180/276
6a		Drain Tube
	801,806,050.21	All Models
6b		Drain Tube Nut
	900,301,790.01	All Models
7a		Drain Hose
	901,900,500.11	All Models
7b		Drain Hose Clamp
	900,901,030.01	All Models

Continued next page

Refrigeration System

Can Display, Cold Drink FLS, Dr Pepper (D3), Generic Round, 7Up (B7),
 Veryfine Circular(0001-3194C0 to 0001-6169As), Veryfine/RC Inverted "L" Circular



Parts List - Refrigeration System

Dixie-Narco

Can Display, Cold Drink FLS, Dr Pepper (D3), Generic Round, 7Up (B7), Veryfine Circular(0001-3194CO to 0001-6169AS), Veryfine/RC Inverted "L" Circular

Item	Part Number	Part Name And Description By Model Number
8		Main Wiring Harness
	804,902,220.61 (a)	United States & Mexico
	804,902,140.71 (b)	Australia, IEC 335
	804,905,490.11 (c)	United Kingdom, Ireland, IEC 335
	804,902,160.21 (d)	Europe, Italy, Korea, & Paris, France
	804,905,470.11 (e)	Denmark, IEC 335
	804,905,360.01 (f)	Germany, Spain, Italy, France, Holland, Poland, Switzerland, & Greece w/ Splashwater Protector
9		Top Fan Housing
	236,040,030.03	Long - T-Model Venders
	211,040,030.13	Short - Wide Venders
	143,040,011.33	Narrow Venders
10		Temperature Control
	802,800,410.11	All Models
11		Fan Shroud Condenser
	491,040,110.43	All Models
12	Provide information listed	Relay (Indicate compressor manufacturer, model #, and voltage/hz.)
13	Provide information listed	Overload (Indicate compressor manufacturer, model #, and voltage/hz.)
14		Dryer, Extended Outlet
	802,401,230.11	S1/3 HP (R12)
	802,401,240.11	1/3 HP (R12)
	802,401,260.11	1/4 HP (R12)
15		Condenser
	802,600,540.01	S 1/3 HP "A" (T-model)
	802,600,550.01	1/3 HP "B"
	802,600,560.01	1/4 HP "C"
16		Evaporator
	802,600,370.61	Short
	802,600,500.11	Long
17		Accumulator
	802,400,460.01	All Models
18		Knob, Temperature Control
	802,800,420.21	All Models
A21	900,301,980.01	Screw, Phil Pan Shoulder #8 - 18 x 17/32"
A22	900,301,840.01	Screw, Phil Pan #8 X 1/2"
A9	900,301,560.11	Screw, Phil Pan Swage Form #8 - 32 x 3/8"
A14	900,301,810.21	Screw, Phil Pan Form #10 - 32 x 1 1/2"
C5	900,700,360.01	Lockwasher, Split 3/8"
H2	900,901,890.01	Tinnerman Clip
E1	900,400,440.01	Refrigeration Bolt, 3/8-16 x 1"