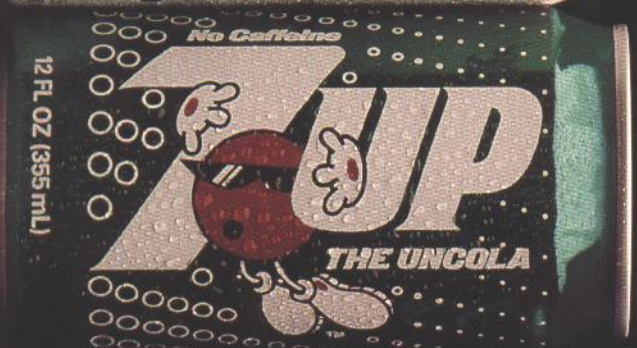
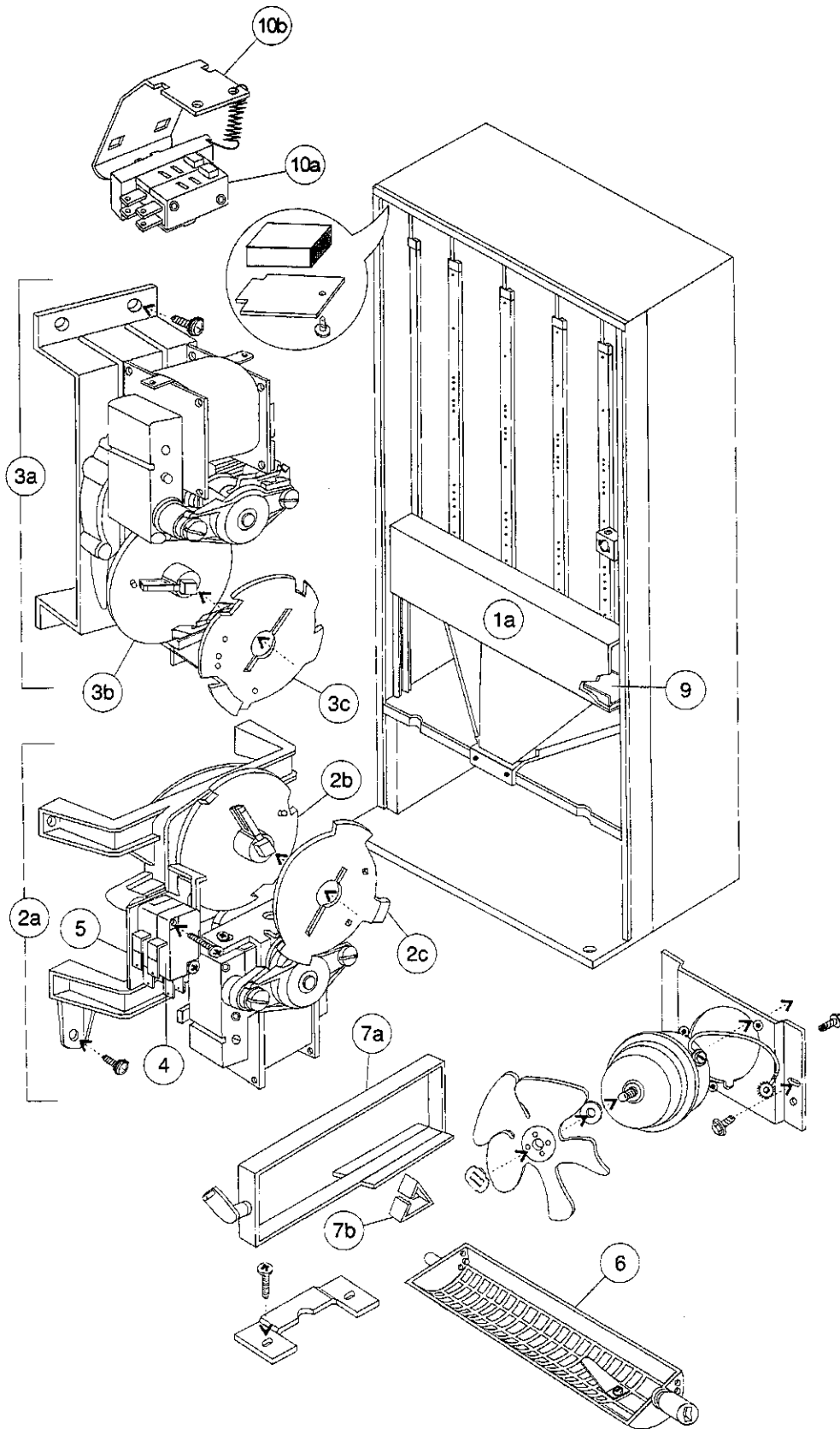


The Parts Book



Cabinet & Vend Mechanism

Can Display, Cold Drink FLS, Dr Pepper (D3), Generic Round, 7Up (B7),
Veryfine Circular(0001-3194CO to 0001-6169AS), Veryfine/RC Inverted "L" Circular



Parts List - Cabinet & Vend Mechanism

Dixie-Narco

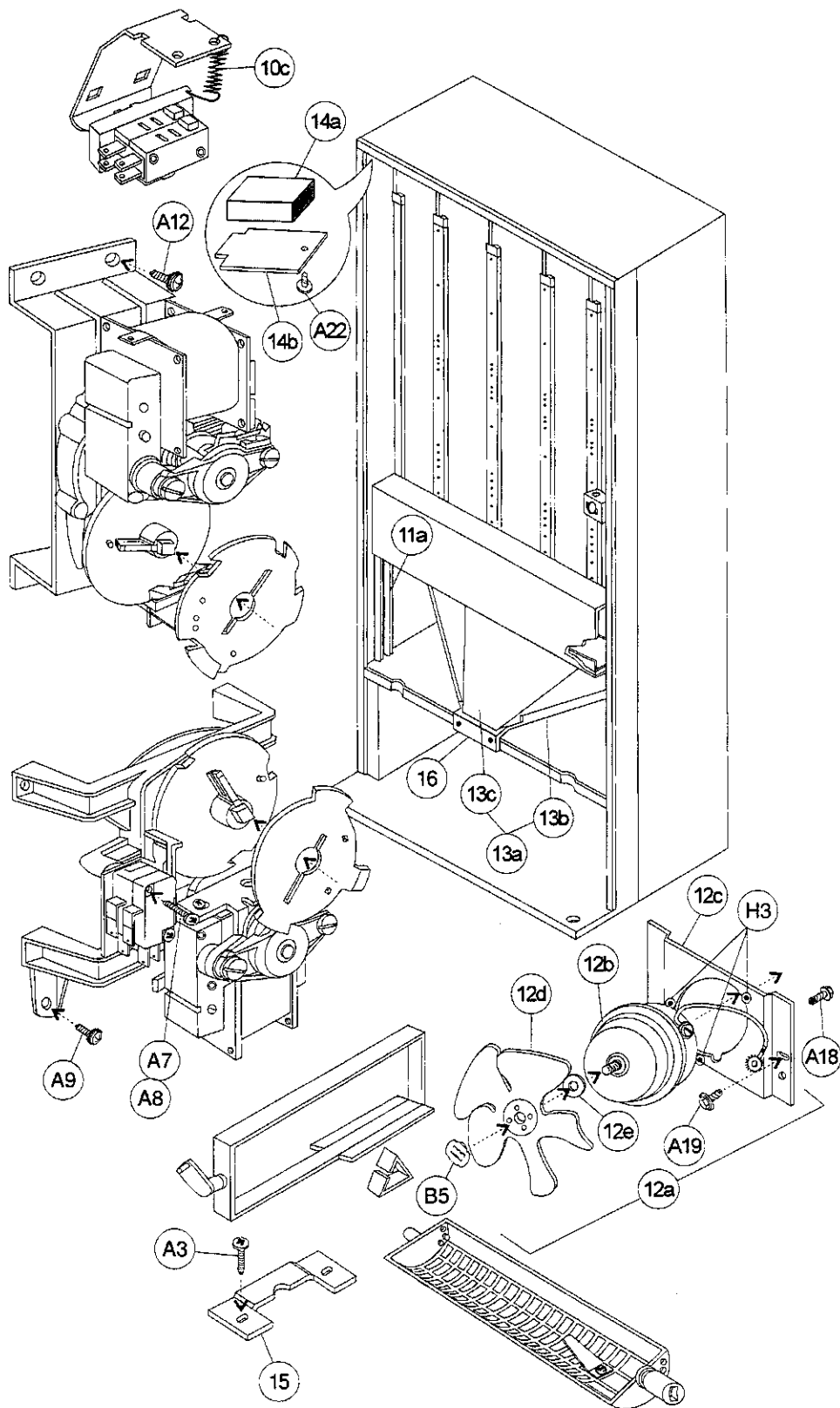
Can Display, Cold Drink FLS, Dr Pepper (D3), Generic Round, 7Up (B7),
Veryfine Circular(0001-3194C0 to 0001-6169AS), Veryfine/RC Inverted "L" Circular

Item	Part Number	Part Name And Description By Model Number
1a		Assembly, Vend Motor Covers
	491,071,600.04	Wide, Except 7UP
	511,070,000.04	Wide, 7UP Only
	493,170,100.04	Narrow, Except 7UP
	468,070,000.04	Narrow, 7UP Only
2a		Vend Motor Assembly, Wide - 501/522/600
	497,070,800.03	Single Price & MPC
	497,170,100.03	Two/Four Price
	565,070,200.03	SII
		Vend Motor Assembly, Wide - 168/180/276/300/348/360/368/414/432/440
	491,070,300.03	Single Price & MPC
	491,170,100.03	Two/Four Price
	572,070,100.03	SII
2b		Vend Cam
	801,806,390.41	Blue
	801,806,410.41	Green
2c		Adjustable Cam
	801,806,400.11	Gold
3a		Vend Motor Assembly, Narrow - 501/600
	497,070,900.03	Single Price
	497,170,200.03	Two/Four Price
	565,070,100.03	SII
	551,070,200.03	MPC
		Vend Motor Assembly, Narrow - 168/276/348/368/414/440
	491,070,400.03	Single Price
	491,170,200.03	Two/Four Price
	572,070,000.03	SII
3b		Vend Cam
	801,806,180.91	Brown
3c		Adjustable Cam
	801,806,611.01	Brown
4		Vend Motor Switch
	804,100,690.01	MPC & Single Price, Double Switch
	804,100,700.01	Two/Four Price, Triple Switch
	804,100,730.01	SII, Single Switch
	804,100,550.11	MPC - narrow vend motor, Single Switch
5		Vend Motor Switch Insulator
	905,800,330.11	All Models
6		Vend Rotor-Narrow Column
	801,201,211.61	Double Depth - 168/276/348/368/414/440
	801,201,230.01	Triple Depth Can - 501/600
	801,201,220.01	Triple Depth Wide - 501/600
7a		Vend Oscillator - Wide Column
	801,201,010.41	Double Depth - 180/276/300/348/360/368/414/432/440
	801,201,020.31	Triple Depth - 501/522/600
7b		Can Retainer- Oscillators
	901,700,650.31	prior to 6186
	801,807,870.11	6186 & higher
8a		Nyliner
	801,803,170.01	Rear (not shown) All Models
8b		Nyliner
	901,804,230.01	Front-Wide Columns Only (not shown) All Models
9		Wire Shield
	267,070,370.43	Wide
	275,070,110.53	Narrow
10a		Sold Out Switch Assembly
	804,100,680.51	NON SII, NON MPC, & #1 Column on MPC's
	804,100,750.41	SII
	804,100,630.01	MPC
10b		Sold Out Paddle
	432,070,190.23	All Models

Continued next page

Cabinet & Vend Mechanism

Can Display, Cold Drink FLS, Dr Pepper (D3), Generic Round, 7Up (B7), Veryfine Circular(0001-3194C0 to 0001-6169AS), Veryfine/RC Inverted "L" Circular



Parts List - Cabinet & Vend Mechanism

Dixie-Narco

Can Display, Cold Drink FLS, Dr Pepper (D3), Generic Round, 7Up (B7), Veryfine Circular(0001-3194CO to 0001-6169AS), Veryfine/RC Inverted "L" Circular

Item	Part Number	Part Name And Description By Model Number
10c		Sold Out Paddle Spring
	901,700,740.21	All Models
11a		Mechanism Support
	497,070,010.33	Mechanism Support 501/522/600
	491,020,070.33	Mechanism Support 180/276/300/348/360/368/414/432/440
11b		Mechanism Runner (Not shown)
	164,070,380.53	348/360/368/414/432/440
12a		Evaporator Fan Motor Assembly
	491,000,200.13	115V All Models
	491,140,400.03	220-240V All Models
12b		Evaporator Fan Motor
	804,500,590.21	115V All Models
	804,500,520.11	220-240V All Models
12c		Evaporator Fan Motor Bracket
	164,040,080.83	All Models
12d		Evaporator Fan Blade
	801,303,270.11	All Models
12e		Silencer
	902,100,290.01	All Models
13a		Can Chute Assembly (Includes 13b & 13c)
	497,071,300.03	T-Model
	480,070,100.03	Wide
	408,170,100.03	Narrow, Off Center
	408,070,200.03	Narrow, 7UP Only
13b		Can Chute
	324,000,010.93	T-Model
	211,170,010.43	Wide
	408,070,010.23	Narrow, Off Center
	211,170,010.43	Narrow 7UP/Dr. Pepper Only
13c		Chute Liner (Kydex)
	801,902,700.11	T-Model
	801,902,690.01	Wide
	801,902,680.01	Narrow, Off Center
14a		Foam Block
	903,300,770.01	All Models
14b		Hinge Pocket Cover
	169,000,130.83	All Models
15		Journal
	176,072,110.13	All Models
16		Support, Can/Bottle Chute - 276/501/600
	172,070,530.03	All Models
A19	900,901,510.11	Screw, Phil Pan Tapping #10 - 32 x 5/8"
A3	900,301,830.11	Screw, Phil Pan Swage Form #10 - 32 x 5/16"
A22	900,301,840.01	Screw, Phil Pan #8 x 1/2"
A18	900,301,690.21	Screw, Hex Head Swage Form #8 - 36 x 3/8"
A6	900,300,470.01	Screw, Vend Motor #4 x 3/4" Single Switch
A7	900,301,820.01	Screw, Vend Motor #4 x 1 1/16" Double Switch
A8	900,301,610.01	Screw, Vend Motor #4 x 1 1/2" Triple Switch
A9	900,301,560.11	Screw, Phil Pan Swage Form #8 - 32 x 3/8"
H3	900,401,090.01	Grommet Bk. Rubber #97
B5	900,800,850.01	Speed Nut
A12	900,301,850.01	Screw, Phil Thread Form #8 - 32 x 5/8"

When Ordering Parts, Indicate Model # And Serial # Of Vender.
All Parts Numbers And Prices Are Subject To Change Without Notice.