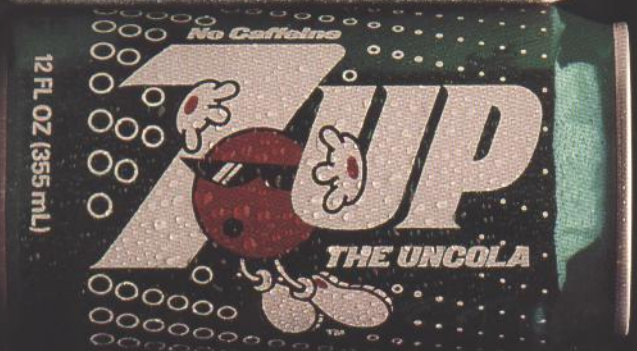
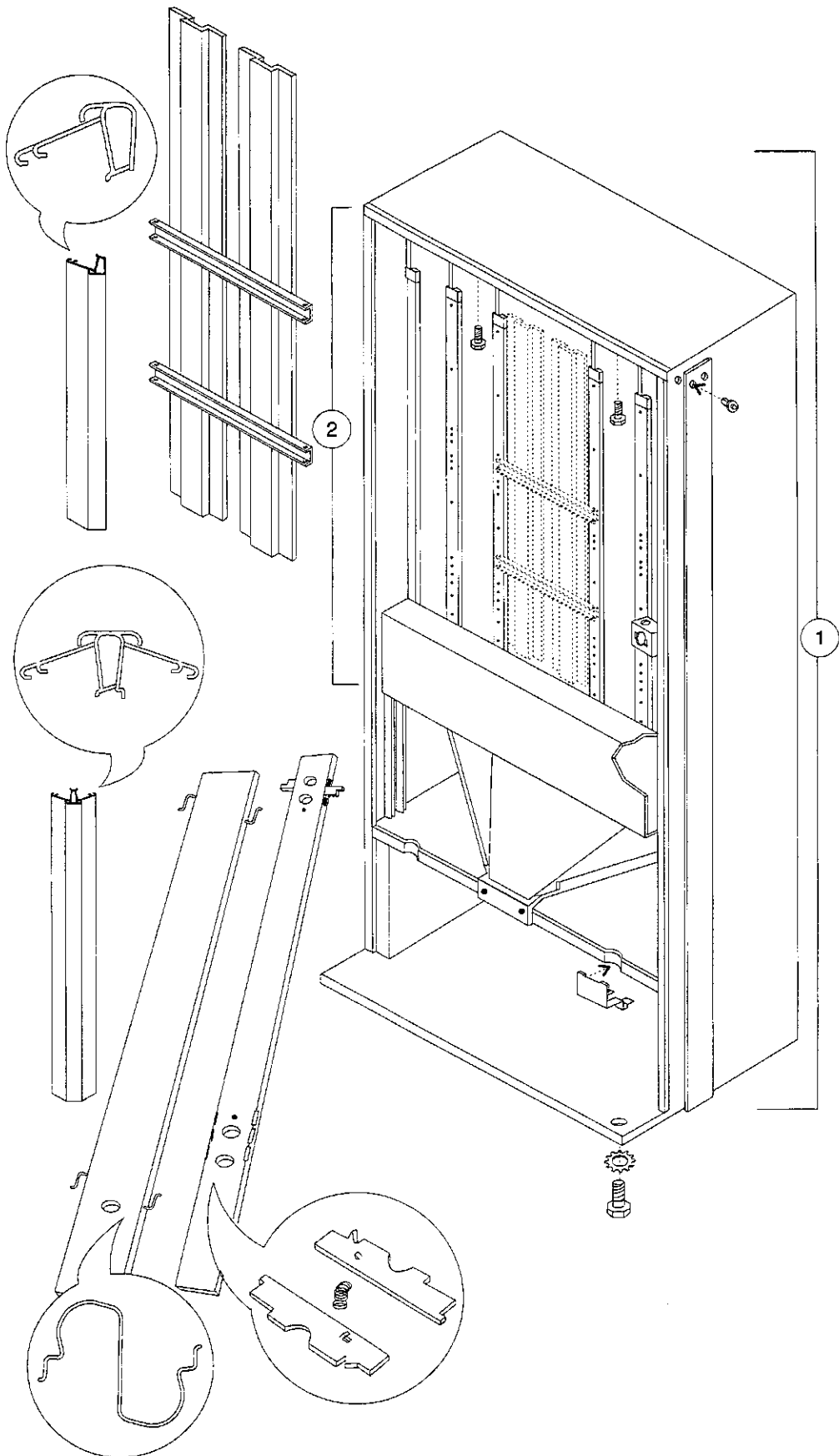


The Parts Book



Cabinet Interior

Can Display, Cold Drink FLS, Dr Pepper (D3), Generic Round, 7Up (B7), Veryfine Circular(0001-3194CO to 0001-6169AS), Veryfine/RC Inverted "L" Circular



Parts List - Cabinet Interior

Dixie-Narco

Can Display, Cold Drink FLS, Dr Pepper (D3), Generic Round, 7Up (B7),
 Veryfine Circular(0001-3194C0 to 0001-6169AS), Veryfine/RC Inverted "L" Circular

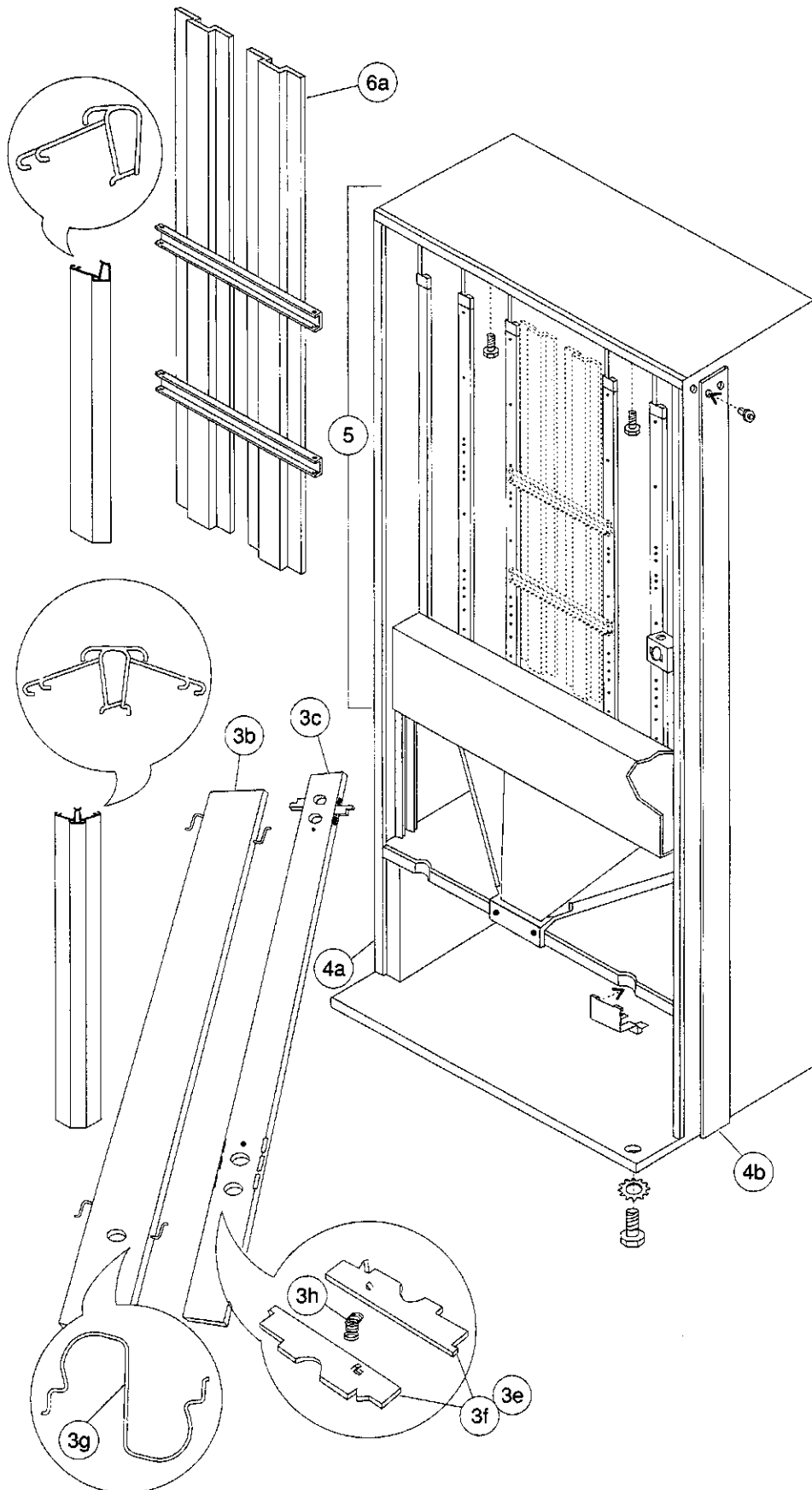
Item	Part Number	Part Name And Description By Model Number
1		Foam Cabinet Assembly
	497,000,700.03	600
	498,000,700.03	501/522
	491,000,700.03	414/432/440
	492,000,700.03	348/360/368
	493,000,700.03	276/300
	495,000,700.03	180
2a		600 Stack Assembly (Specify Harness)
	497,070,000.13	Single Price
	497,170,000.13	Two/Four Price
	565,070,000.13	SII
2b		522 Stack Assembly (Specify Harness)
	553,070,000.03	Single Price
	553,270,000.03	Two/Four Price
2c		501 Stack Assembly (Specify Harness)
	498,070,000.13	Single Price
	498,170,000.13	Two/Four Price
	565,070,500.13	SII
	551,070,000.13	MPC
2d		440 Stack Assembly (Specify Harness)
	491,071,800.03	Single Price
	491,170,000.13	Two/Four Price
	492,270,000.13	SII
	530,070,000.03	MPC
2e		432 Stack Assembly (Specify Harness) Dr. Pepper
	447,070,000.03	Single Price
	447,170,000.03	Two/Four Price
2f		414 Stack Assembly (Specify Harness) Dr. Pepper
	499,070,000.13	Single Price
	499,170,000.13	Two/Four Price
	499,270,000.13	SII
2g		368 Stack Assembly (Specify Harness)
	492,070,000.13	Single Price
	492,170,000.13	Two/Four Price
	565,070,600.13	SII
	529,070,000.03	MPC
2h		360 Stack Assembly (Specify Harness)
	443,070,000.03	Single Price
	443,170,000.03	Two/Four Price
	578,070,000.03	SII
2i		348 Stack Assembly (Specify Harness)
	532,070,000.13	Single Price
	532,170,000.13	Two/Four Price
	565,070,700.13	SII
2j		300 Stack Assembly (Specify Harness)
	534,070,000.03	Single Price
	534,170,000.03	Two/Four Price
	565,070,900.03	SII
2k		276 Stack Assembly (Specify Harness)
	493,070,000.13	Single Price
	493,170,000.13	Two/Four Price
	565,070,800.13	SII
2l		180 Stack Assembly (Specify Harness)
	495,070,000.03	Single Price
	495,170,000.03	Two/Four Price
	565,071,000.03	SII
3a		Rear Spacer Assembly, Wide Column (Old Style)
	497,073,100.03	600
	498,070,400.03	501/522
	491,072,500.03	414/432/440
	492,070,700.03	276/300/348/360/368
	504,070,300.03	180

Continued next page

When Ordering Parts, Indicate Model # And Serial # Of Vender.
 All Parts Numbers And Prices Are Subject To Change Without Notice.

Cabinet Interior

Can Display, Cold Drink FLS, Dr Pepper (D3), Generic Round, 7Up (B7),
Veryfine Circular(0001-3194C0 to 0001-6169AS), Veryfine/RC Inverted "L" Circular



Parts List - Cabinet Interior

Dixie-Narco

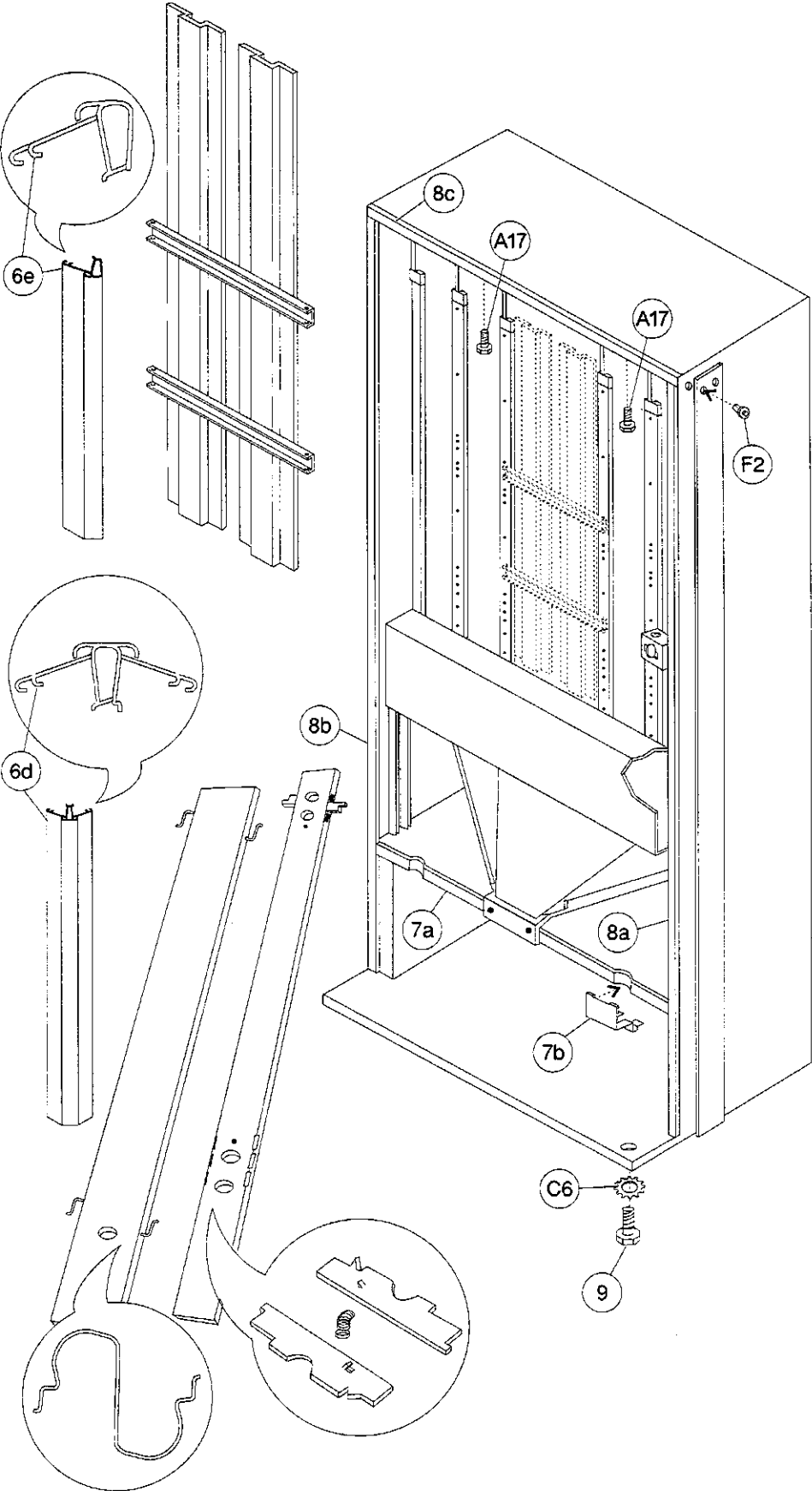
Can Display, Cold Drink FLS, Dr Pepper (D3), Generic Round, 7Up (B7),
Veryfine Circular(0001-3194C0 to 0001-6169AS), Veryfine/RC Inverted "L" Circular

Item	Part Number	Part Name And Description By Model Number
3b		Rear Spacer/Latch Spring Assembly, Wide Column
	497,073,100.03	600
	498,071,300.03	501/522
	491,072,500.03	414/432/440
	492,070,700.03	276/300/348/360/368
	504,070,500.03	180
3c		Rear Spacer Assembly, Narrow Column (Old Style)
	361,070,230.03	600
	498,071,300.03	501
	267,070,420.13	414/440
	270,070,130.03	276/348/368
3d		Rear Spacer/Latch Spring Assembly, Narrow Column
	497,073,200.03	600
	498,071,400.03	501
	491,072,600.03	414/440
	492,070,800.03	276/348/368
3e		Latch Finger, Long
	361,070,210.03	501/522/600
	267,070,080.53	276/300/348/360/368/414/432/440
3f		Latch Finger, Short
	361,070,120.33	501/600
	267,070,210.43	276/348/368/414/440
3g		Latch Spring
	901,700,880.21	Wide T
	901,700,870.21	Wide
		Latch Spring
	901,700,860.21	Narrow T
	901,700,850.21	Narrow
3h		Rear Spacer Spring (Old Style)
	901,700,690.01	All Models
4a		Protective Plate, Left Side Cabinet
	164,000,031.63	414/432/440/600
	165,000,031.43	276/300/348/360/368/501/522
	168,000,031.61	180
4b		Protective Plate, Right Side Cabinet
	164,000,041.63	414/432/440/600
	165,000,041.63	276/300/348/360/368/501/522
	168,000,041.63	180
5		Stack Sub Assembly
	497,070,700.13	600
	552,070,100.03	600 MPC
	553,070,100.03	522
	498,070,300.13	501
	551,070,100.03	501 MPC
	491,072,000.03	440
	491,070,100.03	440 MPC
	447,070,100.03	432
	499,070,100.13	414
	492,070,100.13	368
	529,070,100.03	368 MPC
	443,070,100.03	360
	532,070,100.13	348
	493,070,100.13	276
495,070,100.03	180	
6a		Gate, weld assembly (metal, old style)
	497,070,200.13	600
	498,070,100.13	501
	491,070,800.03	440
	499,070,200.03	414, Wide
	499,070,300.03	414, Narrow
	492,070,400.03	368
	532,070,200.03	348, Wide
	532,070,300.03	348, Narrow
	493,070,200.03	276

Continued next page

Cabinet Interior

Can Display, Cold Drink FL5, Dr Pepper (D3), Generic Round, 7Up (B7), Veryfine Circular(0001-3194CO to 0001-6169AS), Veryfine/RC Inverted "L" Circular



Parts List - Cabinet Interior

Dixie-Narco

Can Display, Cold Drink FL5, Dr Pepper (D3), Generic Round, 7Up (B7),
Veryfine Circular(0001-3194C0 to 0001-6169A5), Veryfine/RC Inverted "L" Circular

Item	Part Number	Part Name And Description By Model Number
6b		Weld Assembly Gate Hinge
	491,071,000.03	276/348/368/440/501/600
	499,070,400.03	348
6c		Gate Latch
	497,070,080.13	Short - 501/600
	231,070,260.73	276/368/440/501/600
	350,070,130.13	348
6d		Gate, Plastic - Double Arm
	801,803,560.01	17" (168)
	801,808,380.01	32" (276/300/348/368)
	801,808,020.11	39 1/2 (440)
	801,808,500.01	12" (501)
	801,808,520.01	19" (600)
	801,808,480.01	15 1/2" (501/600)
6e		Gate, Plastic - Single Arm
	801,808,370.01	32" (276, 348)
	801,808,510.01	12" (501)
	801,808,530.01	19" (600)
	801,808,490.01	15 1/2" (501/600)
	801,808,550.01	17" (168)
7a		Mullion
	801,806,230.41	348/360/368/414/432/440/501/522/600
	801,806,280.51	180/276/300
7b		Mullion Cover
	801,303,830.21	All Models
8a		Breaker Strip, Right
	491,020,150.13	414/432/440/600
	492,020,040.13	276/300/348/360/368/501/522
8b		Breaker Strip, Left
	491,020,160.13	414/432/440/600
	492,020,050.13	276/300/348/360/368/501/522
	495,020,040.13	180
8c		Breaker Strip, Top
	491,020,170.03	348/360/368/414/432/440/501/522/600
	493,020,060.13	180/276/300
9		Leveling Leg, 5/8" - 11 X 2 1/16"
	900,502,490.71	All Models
10		Mounting Bracket Rear
	491,070,020.23	276/300/348/360/368/414/432/440/501/522/600
	350,170,020.33	348/414/501/600
	445,070,030.23	180
11		Rodent Guards
	474,010,130.23	Wide
	476,010,040.23	Narrow
12		Transformer, Basler Isolation (not shown)
	804,400,360.11	All Models
13		Transformer, Jumper (not shown)
	804,902,170.21	All Models
14a		Heyco Wire Clip #3699 (not shown)
	901,902,280.01	All Models
14b		Cable Clamp, Green (3C20247-3-1) (not shown)
	900,901,590.01	All Models
F1	901,100,430.01	Pop Rivet, Aluminum 1/4"
A17	900,302,010.01	Screw, Self Tapping, 1/4 - 20 x 5/8"
F2	901,100,440.01	Drive Rivet, 1/4" #38-108-06-13
C6	900,700,890.01	Lock Washer, Shakeproof 5/8" (1132-00-00-0551)
F6	901,100,530.01	Pop Rivet, 1/8"
F5	901,100,610.11	Pop Rivet, 1/8" Steel (Zinc Plated)

When Ordering Parts, Indicate Model # And Serial # Of Vender.
All Parts Numbers And Prices Are Subject To Change Without Notice.