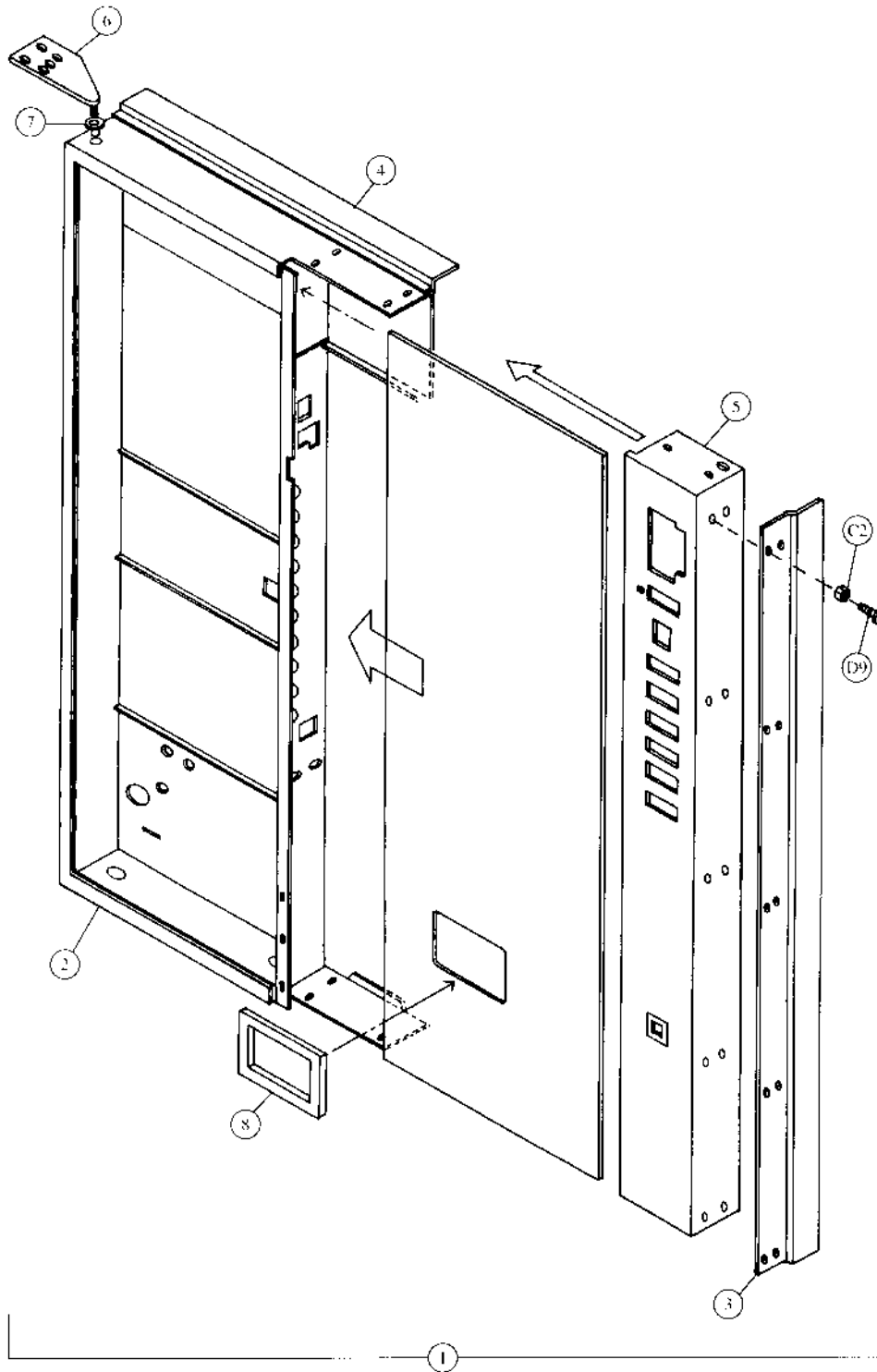


Pepsi (Magnum) DNCB 168M

Dimensions	56 1/16" H x 28 5/16" W x 29" D (1440mm H x 719mm W x 737mm D)
Dimensions Less Door	56 1/16" H x 28 5/16" W x 27 1/2" D (1440mm H x 719mm W x 698mm D)
Approximate Weight	464 lbs. (211kg)
Selections/Columns	6/6
Total 12 oz. (330ml) Cans Capacity/Vend	174/162
Column Capacity 12 oz. (330ml) Cans	3 Single Columns - 20 Each 3 Double Columns - 38 Each

Main Door - Exterior - Pepsi (Magnum)

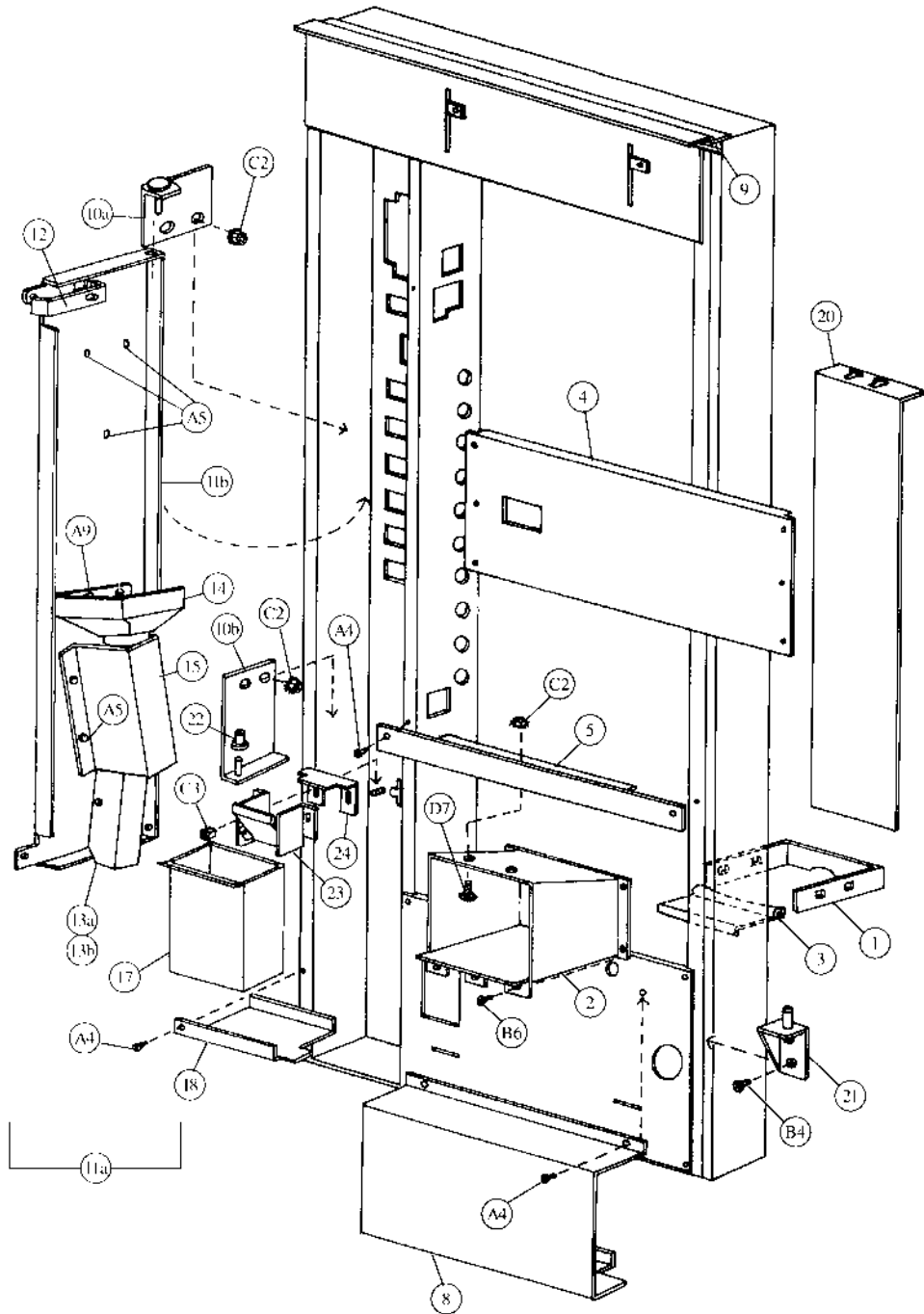


Main Door - Exterior - Pepsi (Magnum)

Item	Part Number	Part Name And Description
1	397,050,000.03	Main Door Assembly (specify graphics & harness)
2	397,050,200.03	Main Door Weld Assembly
3	168,050,331.43	Protective Plate Door
4	169,050,342.23	Rain Guard
5	397,050,300.03	Select Panel, w/a
6	801,303,730.01	Top Hinge
7	901,803,150.01	Standard Flange Nyliner
8	801,602,510.31	Delivery Port Trim (black)

D9	900,201,450.01	Carriage Bolt 1/4 - 20 x 1/2 (10)
C2	900,800,670.01	Keps Nut 1/4 - 20 (10)
C3	900,800,500.01	Keps Nut #8 - 32 (60)

Main Door - Interior - Pepsi (Magnum)



Main Door - Interior - Pepsi (Magnum)

Item	Part Number	Part Name And Description
1	478,050,150.03	Discharge Member
2	801,806,480.11	Delivery Port (black frame)
3	172,050,300.83	Bumper Assembly
4	394,050,060.13	Center Door Stiffener
5	394,050,020.63	Delivery Port Stiffener
6	478,050,160.03	Closure Strip (not shown)
7	901,901,890.01	1" Clamp (not shown)
8	432,020,070.23	Ballast Plate
9	902,001,010.11	"U" Gasket
10a	397,050,100.03	Access Door Top Hinge, w/a
10b	360,050,600.13	Access Door Bottom Hinge, w/a
11a	360,052,300.03	Access Door Assembly
11b	360,050,290.83	Access Door
12	360,050,440.03	Access Door Latch
13a	360,050,270.13	Cash Box Chute
13b	360,050,260.03	Cash Box Chute Back
14	801,804,300.21	Hopper
15	360,051,100.03	Hopper Chute Assembly
16	900,500,261.11	Shoulder Screw (not shown)
17	360,050,700.33	Cash Box, w/a
18	399,050,210.13	Cash Box Shelf
19	804,902,610.01	4" Ground Wire (102mm) (not shown)
20	399,050,250.13	Changer Guard
21	169,051,101.63	Inner Door Bottom Hinge, w/a
22	901,803,710.01	Plastic Bearing
23	360,051,500.03	Change Cup Assembly
24	267,050,610.23	Change Cup Cover

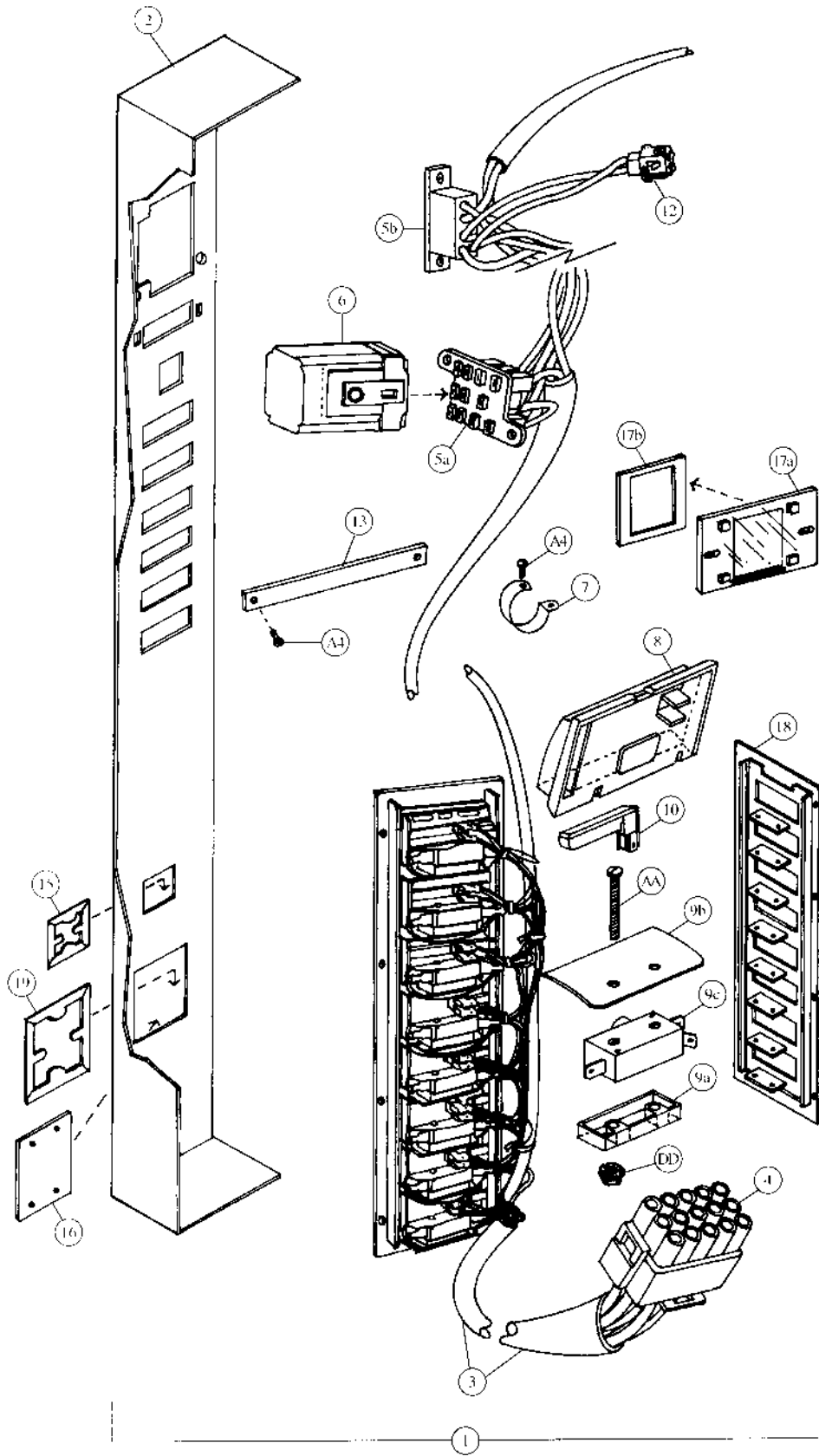
B6	900,301,650.01	Screw, Phil Pan (with washer) #8 - 18 x ½ (3)
C3	900,800,500.01	Keps Nut #8 - 32
A4	900,301,500.01	Screw, Phil Pan (without washer) #8 - 18 x ½ (9)
D7	900,201,170.01	Carriage Bolt ¼ - 20 x 1 (6)
C2	900,800,670.01	Keps Nut ¼ x 20 (6)
A9	900,301,560.01	Sems Screw #8 - 32 x ¾
A5	900,301,970.01	Screw, Phil Pan #8 - 32 x ¼ (3)
B4	900,201,140.01	Screw, Machine Truss #10 - 32 x ½ (2)
B9	900,800,650.01	Keps Nut #10 - 32 (not shown) (2)

Pull-Out Handle & Coin Insert - Pepsi (Magnum)

Item	Part Number	Part Name And Description
1a	801,502,870.01	T-Handle Assembly
1b	Specify key number	Lock with Two Keys
1c	Specify key number	Key Only
1d	801,505,730.01	Handle Only
1e	901,503,050.01	Spring
1f	4255-6-71	Stud
1g	901,503,090.01	Cross Pin
2a	See list below	Coin Insert Assembly
	360,010,500.03	Domestic (USA and Canada)
	506,050,200.03	Exports (all others)
2b	See list below	Coin Insert Only
	801,200,920.91	Domestic (USA and Canada)
	801,201,040.21	Exports (all others)
2c	143,051,220.93	Coin Insert Retainer
2d	801,805,250.01	Coin Chute Cover
2e	801,805,240.11	Coin Chute
2f	901,700,630.11	Spring Extension
2g	403,150,300.03	Coin Return Plunger Assembly
2h	208,050,121.03	Plunger Retainer Plate
3	See list below	Instruction Label, Coin Insert (not shown)
	803,813,140.11	English
	803,816,570.11	Spanish
	803,823,810.01	French
	903,832,680.01	Irish
4	See list below	Correct Change Lamp
	904,700,180.31	English "Use Correct Change"
	804,700,500.01	English. IEC Standard "Use Correct Change"
	804,700,440.01	Spanish "Importe Exacto"
	804,700,450.01	French "Faites L'Appoint"
	804,700,400.01	Italian "Usare Monete Contate"
	804,700,470.01	Turkish "Lutfen Para Atiniz"
	804,700,480.01	German "Abgezahltes Geld Verwenden"
	904,700,490.01	Portuguese "Introduza Quantia Exacta"
5	399,050,260.03	Back Up Plate, T-Handle (not shown)
6	4265-1-ADN	T-Handle Body
7	801,805,270.51	Drip Chute

E6	901,503,070.01	E Ring
C8	901,503,060.01	Flat Washer
C9	901,503,080.01	Hex Washer
A1	900,301,700.01	Sems Screw #6 - 32 x 3/8 (4)
C3	900,800,500.01	Keps Nut #8 - 32 (4)
D5	900,400,350.31	T-Bolt #8 - 32 x 3/4

Select Panel - Pepsi (Magnum)

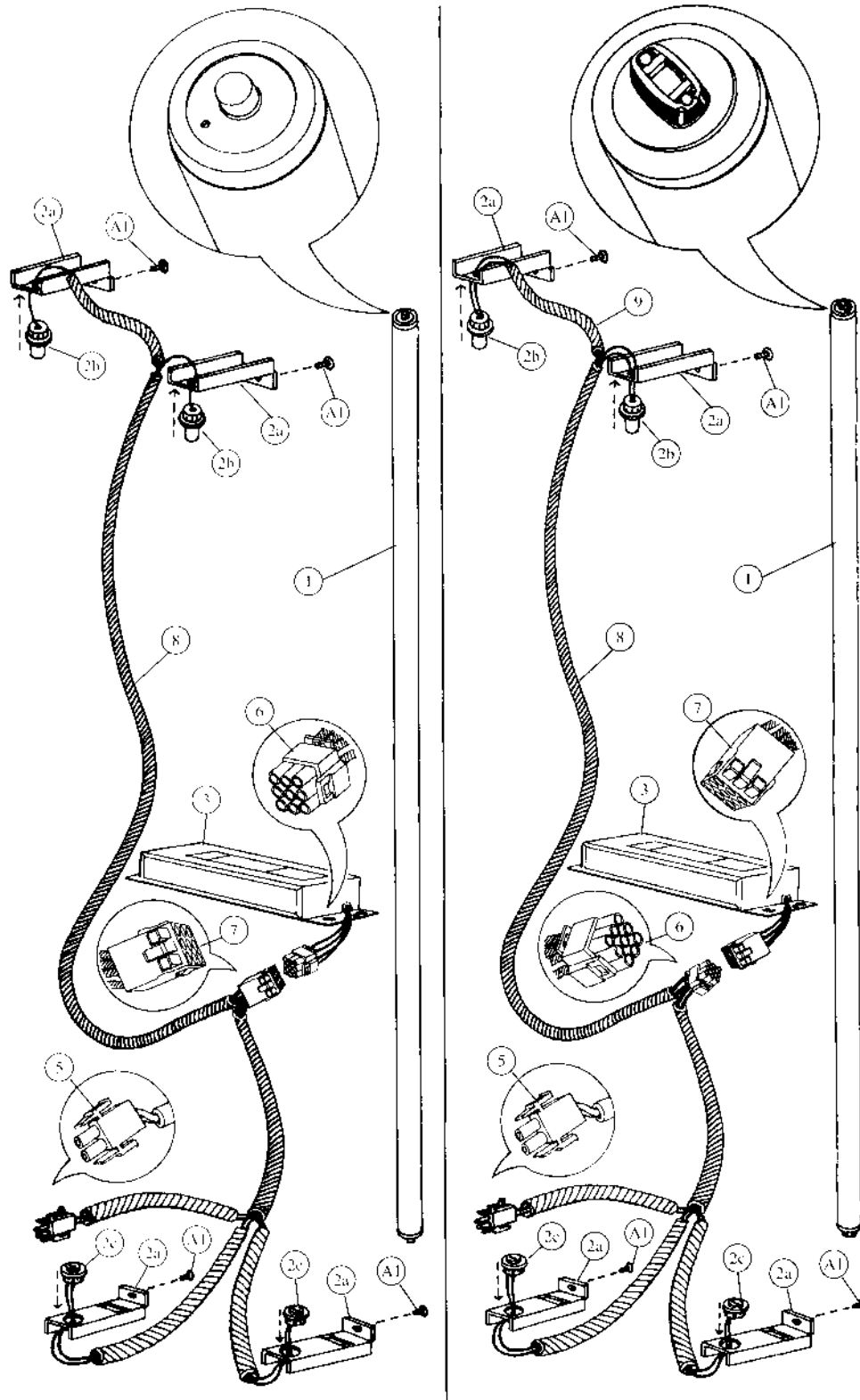


Select Panel - Pepsi (Magnum)

Item	Part Number	Part Name And Description
1	397,050,500.03	Select Panel Assembly (specify harness)
2	397,050,300.03	Select Panel, w/a
3	See list below	Door Harness (6 select)
	804,903,710.11	Single Price & Single Price - IEC Standard
	804,903,840.11	Two Price & Two Price - IEC Standard
	804,904,010.11	Four Price & Four Price - IEC Standard
4	904,600,830.01	15-Way Plug
5a	904,600,620.01	Socket, Relay
5b	904,600,600.01	Socket, Coin Changer
6	804,200,170.01	Vend Relay (single price only)
7	901,901,890.01	1" Clamp
8	801,805,110.01	Button (small rectangle)
9a	801,804,540.21	Button Stop
9b	801,804,620.11	Switch Shield & Spring, Mylar
9c	804,100,510.01	Select Switch (Unimax A401)
10	804,700,210.01	Sold Out Lamp
11	Indicate Flavor	Flavor Cards (not shown)
12	904,600,700.01	2-Way Cap
13	360,050,580.03	Door Strap
15	801,303,600.01	Change Cup Bezel
16	360,010,180.13	Crown Puller Cover Plate
17a	801,804,550.11	Price Window
17b	902,001,000.21	Price Window Gasket
18	369,050,010.23	Back Select Panel
19	801,303,590.01	Crown Puller Bezel
20	360,050,550.13	Crown Catcher Support (not shown)
21	432,050,400.03	Crown Catcher (not shown)
22	455,010,030.23	Crown Catcher Box (not shown)
23	432,050,280.33	Crown Chute (not shown)
24	901,000,190.01	Crown Puller (not shown)

DD	900,800,490.01	Keps Nut #6 - 32 (12)
A4	900,301,500.01	Screw, Phil Pan #8 - 18 x 1/2 (2)
A9	900,301,560.01	Sems Screw #8 - 32 x 3/8 (7)
AA	900,201,310.01	Screw #6 - 32 x 1/4 (16)
C3	900,800,500.01	Keps Nut #8 - 32 (14)

Lighting - Pepsi (Magnum)



Slimline

High-Output

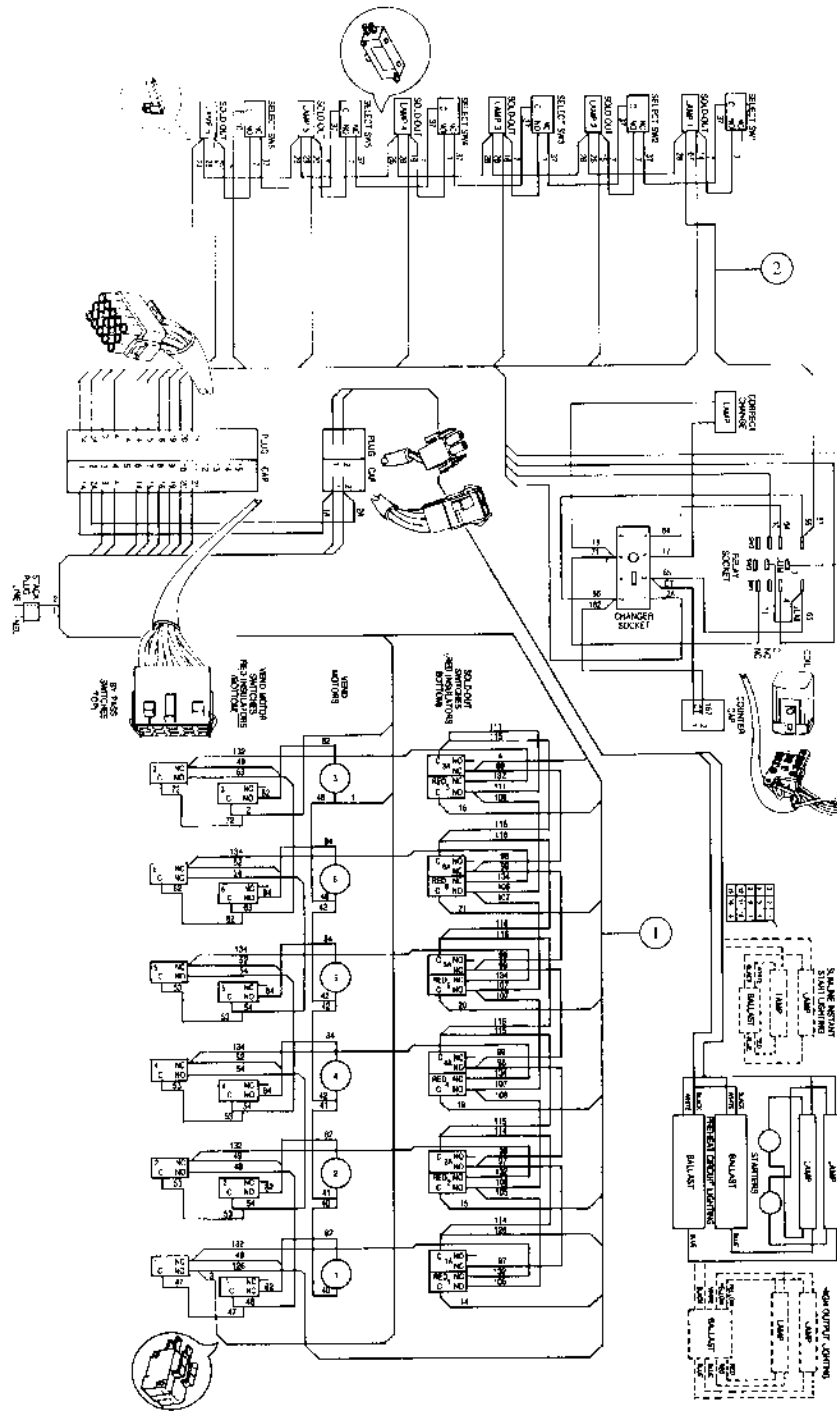
Lighting - Pepsi (Magnum)

Item	Part Number	Part Name And Description
High-Output Lighting		
1	804,700,390.01	Fluorescent Bulb - F48T/HO
2a	432,050,380.63	Door Bracket Lamp Socket
2b	804,901,990.01	Top Lamp Holders - 523
2c	804,902,000.01	Bottom Lamp Holders - 524
3	804,400,380.01	Plug-In Ballast, Advance #VSM/HO
4	904,800,520.01	Connector, Electrical (scotchlock 557)(not shown)
5	904,600,710.01	2-Way Plug
6	904,600,670.01	9-Way Plug
7	904,600,660.01	9-Way Cap
8	804,904,510.21	Plug-In Ballast Harness, High Output
9	804,904,920.11	Lamp Fixture Jumper, High Output

Slimline Lighting		
1	804,700,330.01	Fluorescent Bulb - F48 Slimline
2a	432,050,380.63	Door Bracket Lamp Socket
2b	804,902,020.01	Top Lamp Holders - 516
2c	804,902,030.01	Bottom Lamp Holders - 517
3	804,400,390.01	Plug-In Ballast, Slimline
4	904,800,520.01	Connector, Electrical (scotchlock 557)(not shown)
5	904,600,710.01	2-Way Plug
6	904,600,670.01	9-Way Plug
7	904,600,660.01	9-Way Cap
8	804,904,600.61	Plug-In Ballast Harness, Slimline

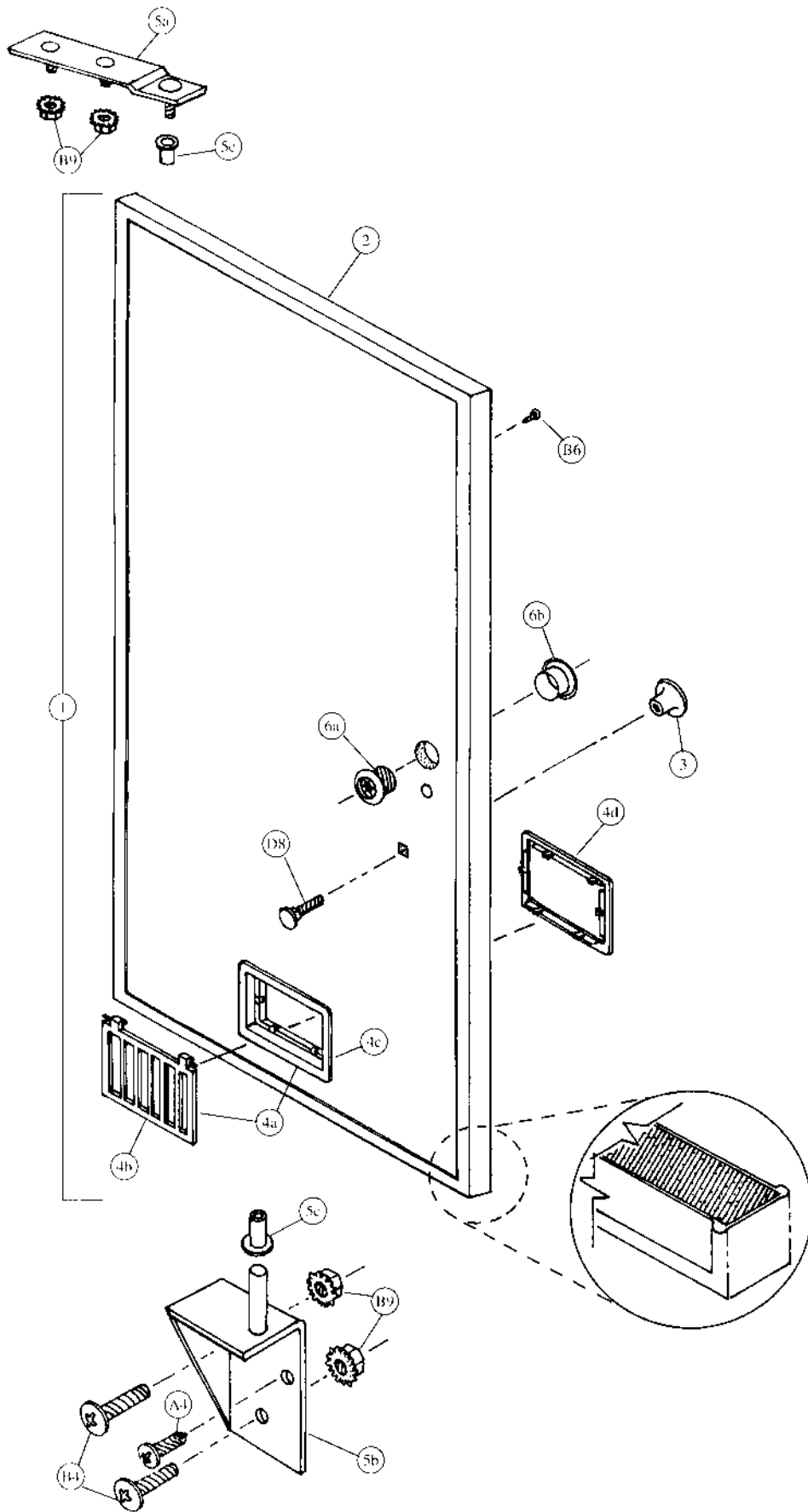
AI	900,301,700.01	Sheet Metal Screw #6 - 32 x 3/8 (4)
----	----------------	-------------------------------------

Wiring Harness - Pepsi (Magnum)



Sample Diagram
6 Column Dual Adaptable, Single Price

Inner Door - Pepsi (Magnum)

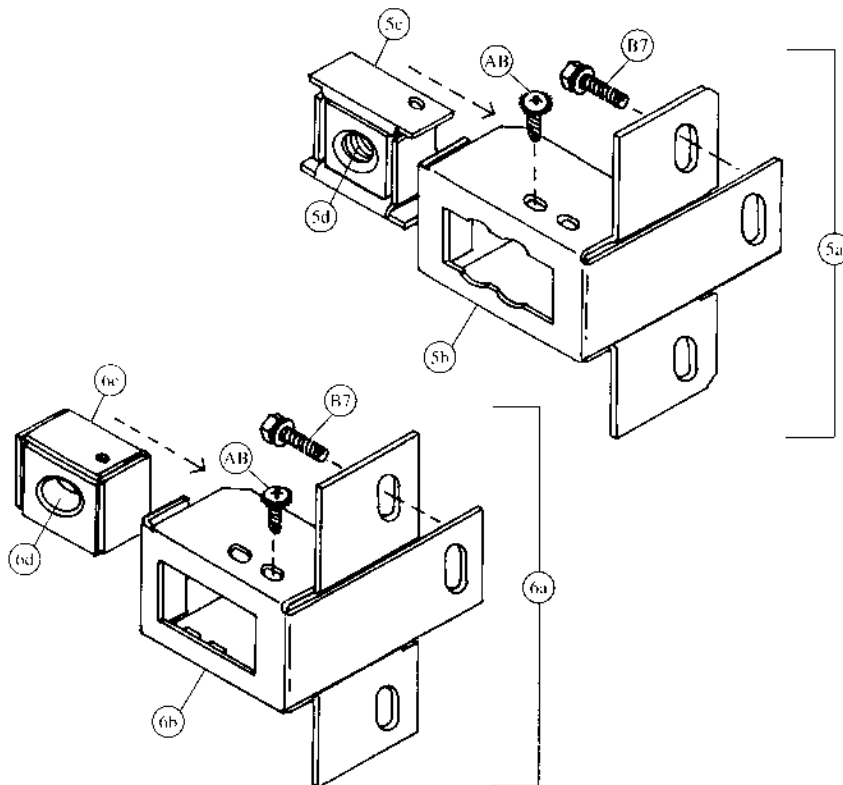
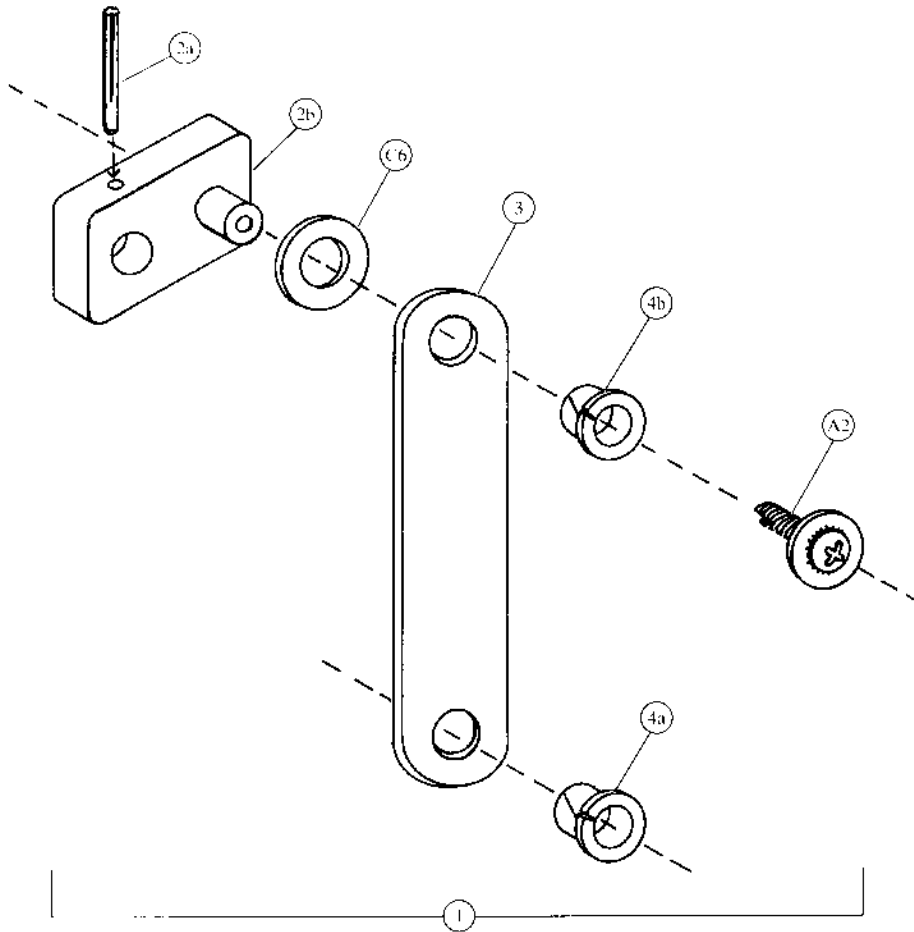


Inner Door - Pepsi (Magnum)

Item	Part Number	Part Name And Description
1	397,050,400.13	Inner Door Assembly
2	801,804,010.01	Inner Door Gasket
3	901,501,700.01	Knob
4a	801,806,920.01	Discharge Frame Assembly (includes 4b & 4c)
4b	801,806,600.01	Delivery Door
4c	801,806,550.01	Discharge Frame
4d	801,806,560.01	Retainer Frame Inner Door
5a	169,053,001.13	Inner Door Top Hinge, w/a
5b	169,051,101.63	Inner Door Bottom Hinge, w/a
5c	901,803,710.01	Plastic Bearing
6a	801,806,420.51	Bushing - Inner Door
6b	801,806,430.31	Bushing Retainer - Inner Door
7	804,902,610.01	4" Ground Wire (102mm) (not shown)

D8	900,201,230.11	Carriage Bolt ¼ - 20 x 1¼
B6	900,301,650.01	Screw, Phil Pan #8 - 18 x ½ (with washer) (53)
A4	900,301,500.01	Screw, Phil Pan #8 - 18 x ½ (without washer)
B9	900,800,650.01	Keps Nut #10 - 32 (4)
B4	900,201,140.01	Screw, Machine Truss #10 - 32 x ½ (2)

Two-Bar Linkage & Nut Retainer Housing - Pepsi (Magnum)

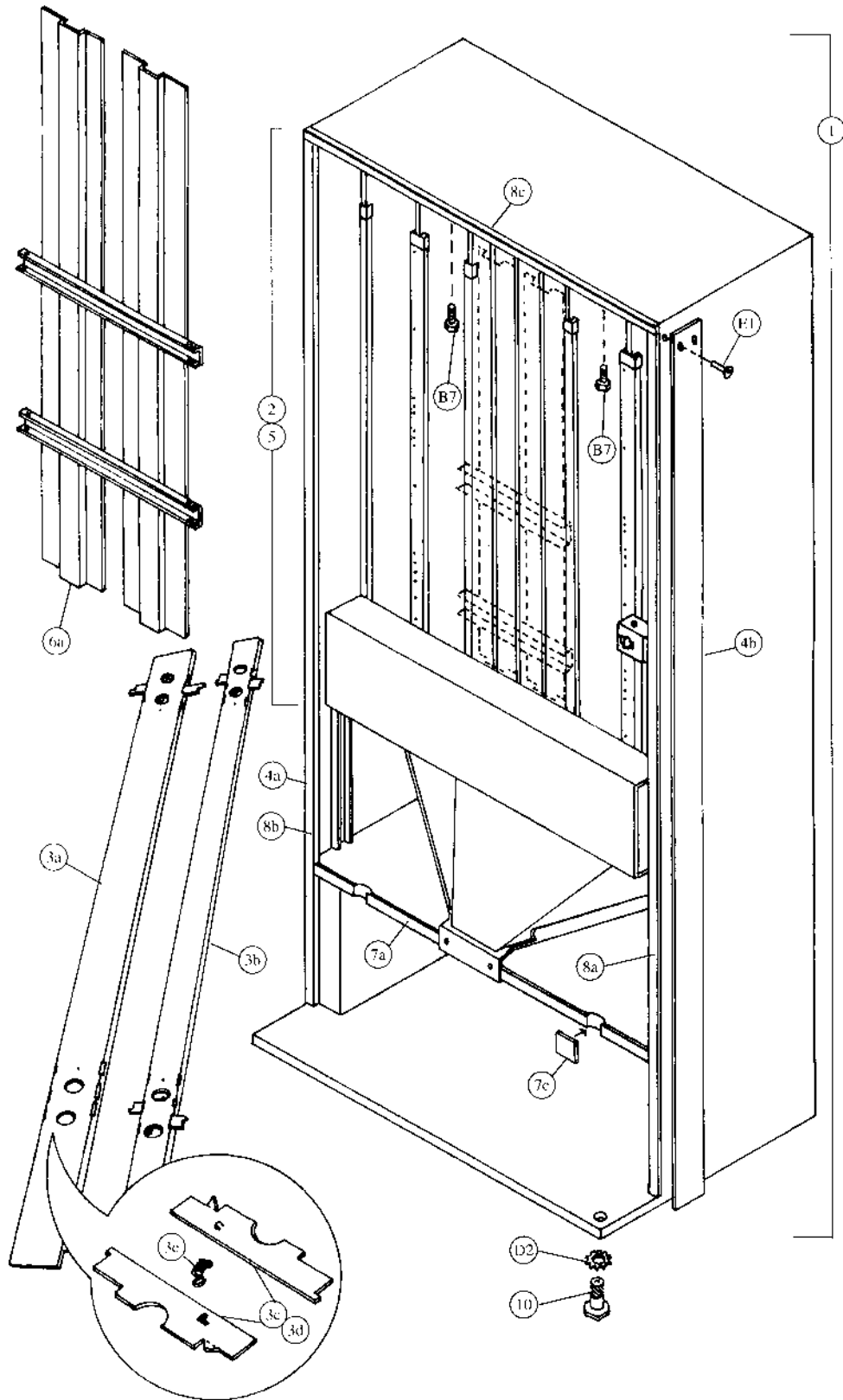


Two-Bar Linkage & Nut Retainer Housing - Pepsi (Magnum)

Item	Part Number	Part Name And Description
1	491,070,500.03	Linkage & Drive Arm Assembly
2a	900,901,940.01	Groove Pin, 1 3/16" (30mm)
2b	801,200,950.61	Drive Arm
3	801,201,030.11	Linkage Arm
4a	901,803,160.01	Top Nyliner
4b	901,804,770.01	Bottom Nyliner
5a	485,050,200.03	Traditional Short Nut Retainer Housing Assy.
5b	432,050,730.23	Traditional Nut Retainer Housing
5c	801,303,850.21	Traditional Cage Nut
5d	900,800,570.11	Square Nut, 1/2 - 13 N.C.
6a	432,052,600.04	Star Lock Nut Retainer Housing Assembly
6b	432,050,740.33	Star Lock Nut Retainer Housing
6c	432,050,760.03	Cage Nut Star Lock
6d	801,505,510.01	Latch Housing Star Lock

AB	900,301,960.01	Sems Screw #8 - 32 x 1/4
C6	900,700,600.01	Flat Washer, Delrin .040
A2	900,301,640.01	Sems Screw #8 - 32 x 1/2
B7	900,302,010.01	Sems Screw 1/4 - 20 x 5/8
A5	900,301,970.01	Phil Pan Screw #8 - 32 x 1/4

Cabinet Interior - Pepsi (Magnum)

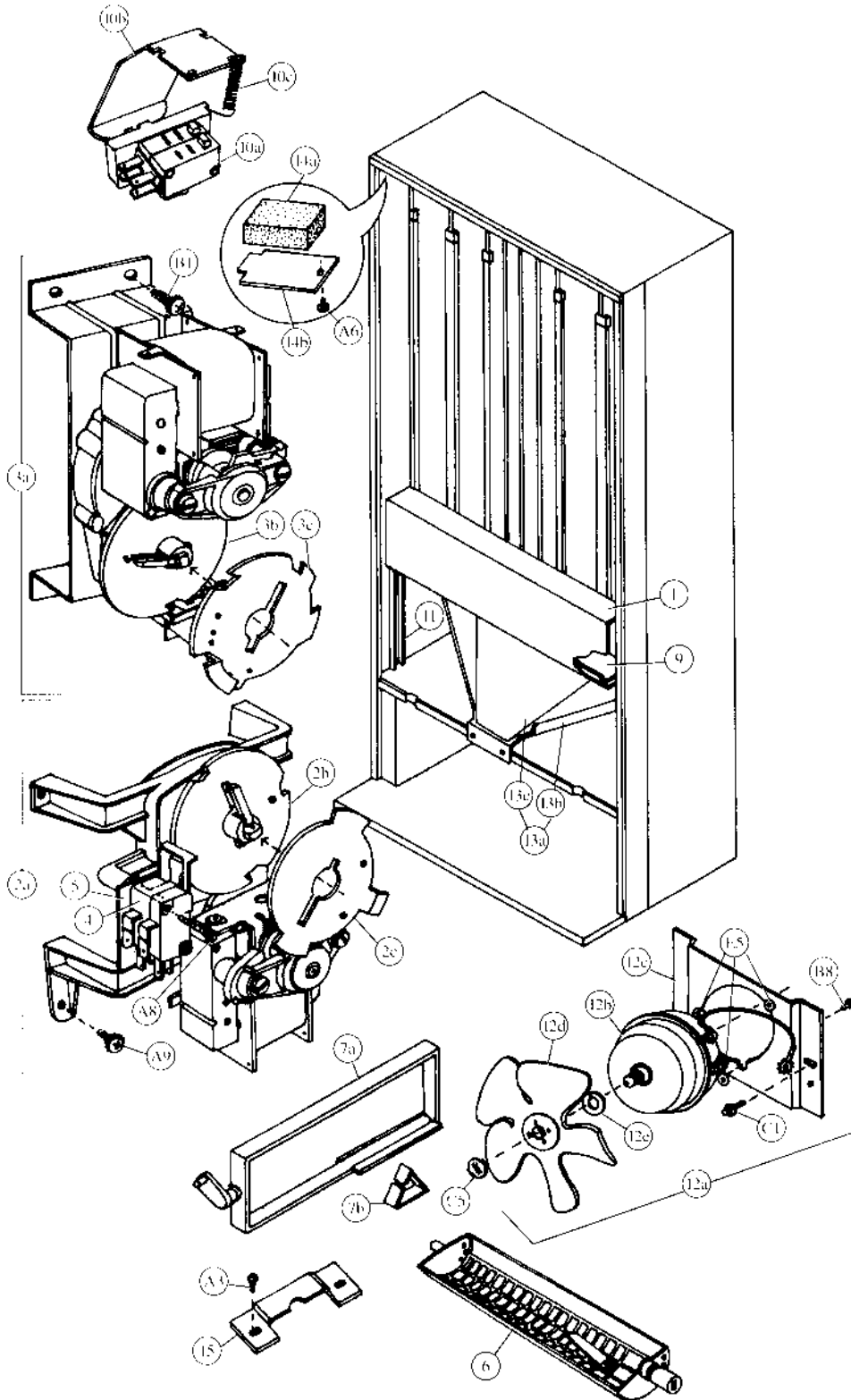


Cabinet Interior - Pepsi (Magnum)

Item	Part Number	Part Name And Description
1	495,000,700.03	Foam Cabinet Assembly
2	See list below	Stack Assembly (specify harness)
	504,070,000.03	Single Price
	504,170,000.03	Two/Four Price
3a	504,070,300.03	Rear Spacer Assembly, Wide Column
3b	504,070,400.03	Rear Spacer Assembly, Narrow Column
3c	267,070,080.53	Latch Finger, Long
3d	267,070,210.43	Latch Finger, Short
3e	901,700,690.01	Rear Spacer Spring
4a	168,000,031.53	Protective Plate, LS Cabinet (not shown)
4b	168,000,041.63	Protective Plate, RS Cabinet
5	504,070,100.03	Sub Assembly Stack
6a	504,070,200.03	Gate, w/a
6b	491,071,000.03	Gate Hinge (not shown)
6c	231,070,260.73	Gate Latch (not shown)
7a	801,806,280.41	Mullion
7b	801,303,830.01	Mullion Cover, Metal (not shown)
7c	not applicable	Mullion Cover, Plastic (obsolete)
8a	495,020,030.03	Breaker Strip, Right
8b	495,020,040.03	Breaker Strip, Left
8c	493,020,060.03	Breaker Strip, Top
9	495,020,500.13	Ballast Plate - IEC Standard (not shown)
10	900,502,490.71	Leveling Leg, 5/8" (4)
11	491,070,020.13	Mounting Bracket, Rear (not shown)
12	437,010,030.13	Rodent Guard, Narrow (not shown)
	476,010,400.13	Rodent Guard, Narrow - IEC Standard (not shown)
13	804,400,360.01	Transformer, Basler Isolation (not shown)
14	804,902,170.11	Transformer, Jumper (not shown)
16a	901,902,280.01	Heyco Wire Clip #3699 (not shown)
16b	900,901,590.01	Cable Clamp, Green (not shown)

B7	900,302,010.01	Self-Tapping Screw 1/4 - 20 x 5/8
E1a	901,100,430.01	Pop Rivet, 1/4" (10)
B5	900,301,730.21	Self-Tapping Screw 1/4 - 20 x 1 (4)
E1b	901,100,440.01	Drive Rivet, 1/4" (10)
D2	900,700,890.01	Lock Washer, 5/8"
E2	901,100,520.01	Pop Rivet, 1/8"

Cabinet & Vend Mechanism - Pepsi (Magnum)

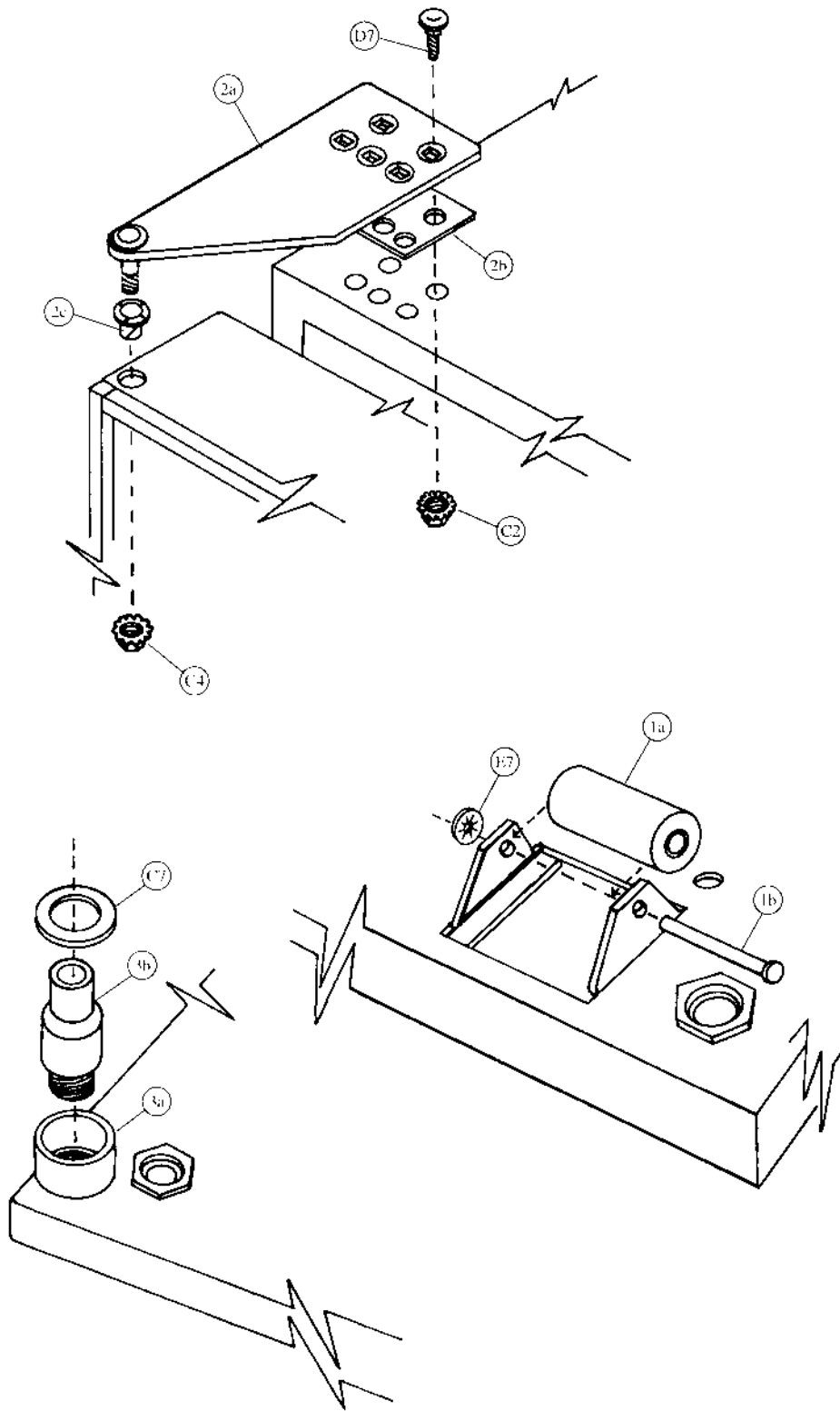


Cabinet & Vend Mechanism - Pepsi (Magnum)

Item	Part Number	Part Name And Description
1	493,170,010.23	Vend Motor Cover, Narrow
	445,070,000.03	Vend Motor Cover, Narrow - IEC Standard
2a	See list below	Vend Motor Assembly, Wide
	491,070,300.03	Single Price
	491,170,100.03	Two/Four Price
2b	801,806,390.21	Vend Cam, Blue
2c	801,806,400.11	Adjustable Cam, Gold
3a	See list below	Vend Motor Assembly, Narrow
	491,070,400.03	Single Price
	491,170,200.03	Two/Four Price
3b	801,806,180.21	Vend Cam, Brown
3c	801,806,610.21	Adjustable Cam, Brown
4	See list below	Vend Motor Switch
	804,100,600.01	Single Price (Double Switch)
	804,100,690.01	Single Price - IEC Standard (Double Switch)
	804,100,700.01	Two/Four Price - IEC Standard (Triple Switch)
5	905,800,330.11	Vend Motor Switch Insulator
6	801,201,211.61	Vend Rotor - Narrow Column
7a	801,201,010.41	Vend Oscillator - Wide Column
7b	901,700,650.31	Can Retainer Oscillator
8a	801,803,170.01	Nyliner, Rear (not shown)
8b	901,804,230.01	Nyliner, Front - Wide Column only (not shown)
9	275,070,110.43	Wire Shield
10a	804,100,610.01	Sold Out Switch Assembly
	804,100,680.01	Sold Out Switch Assembly - IEC Standard
10b	432,070,190.13	Sold Out Paddle
10c	901,700,740.01	Sold Out Paddle Spring
11	491,020,070.33	Mechanism Support
12a	See list below	Evaporator Fan Motor Assembly
	491,000,200.03	115v
	491,140,400.03	220 - 240v
12b	See list below	Evaporator Fan Motor
	804,500,590.01	115v
	804,500,520.01	220 - 240v
12c	164,040,080.73	Evaporator Fan Motor Bracket
12d	801,303,270.11	Evaporator Fan Blade
12e	902,100,290.01	Silencer
13a	408,170,100.03	Can Chute Assembly (includes 13b & 13c)
13b	408,170,010.13	Can Chute
13c	801,902,020.01	Chute Liner (Kydex)
14a	903,300,770.01	Foam Block
14b	169,000,130.83	Hinge Pocket Cover
15	176,072,110.13	Journal

C1	900,901,510.02	Screw, Phil Pan Tapping
A3	900,301,830.01	Sems Screw #10 - 32 x 3/8 (8)
A6	900,600,230.02	Sheet Metal Screw, Type "A"
B8	900,301,690.01	Hex Tap Screw #8 - 32 x 1/8 (3)
A8	900,301,820.01	Vend Motor Screw #4 x 1 1/8 - Double Switch (16)
	900,301,610.01	Vend Motor Screw #4 x 1 1/2 - Triple Switch
A9	900,301,560.01	Sems Screw #8 - 32 x 3/8 (28)
E5	900,401,090.01	Grommet, Black Rubber #97 (3)
C5	900,800,850.01	Speed Nut
B1	900,301,850.01	Sems Screw #8 - 32 x 3/8

Hinges and Rollers - Pepsi (Magnum)

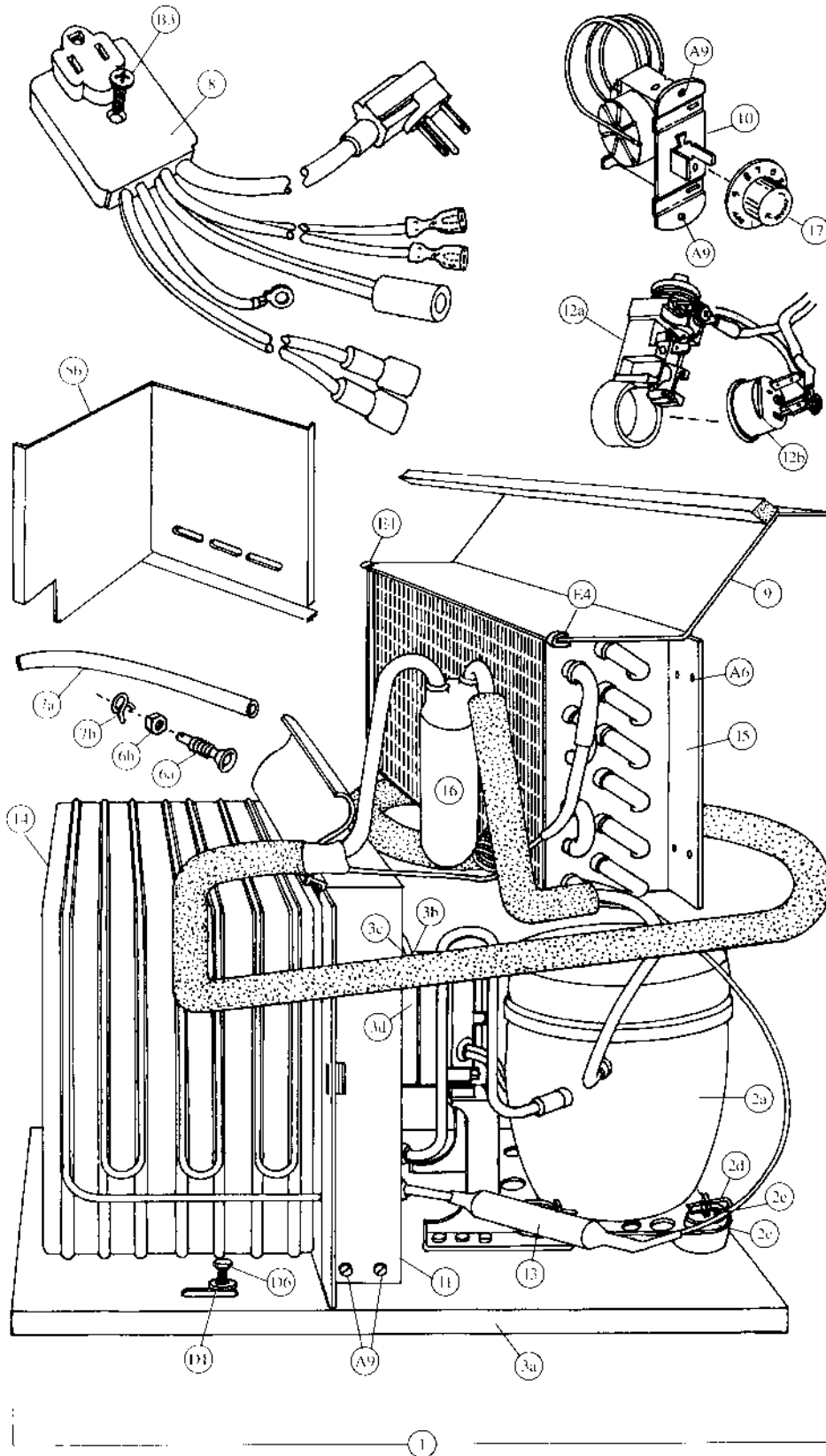


Hinges and Rollers - Pepsi (Magnum)

Item	Part Number	Part Name And Description
1a	901,806,200.11	Roller
1b	900,502,190.01	Roller Pin
2a	801,303,730.01	Top Hinge
2b	169,000,150.53	Hinge Spacer
2c	901,803,150.01	Standard Flange Nyliner
3a	900,502,640.01	Bottom Hinge Sleeve
3b	902,502,700.01	Bottom Hinge Pin

E7	900,900,900.01	Retainer
D7	900,201,170.01	Carriage Bolt ¼ - 20 x 1 (5)
C2	900,800,670.01	Keps Nut ¼ - 20 (5)
C7	901,303,770.01	Flat Washer
C4	900,800,690.01	Keps Nut, Top Door Hinge ⅜ - 16

Refrigeration - Pepsi (Magnum)



Refrigeration - Pepsi (Magnum)

Item	Part Number	Part Name And Description
1	Provide information listed	Complete Refrigeration System: Indicate unit model number from serial plate on unit base plate, refrigerant, voltage/hertz and country.
2a	Provide information listed	Compressor ¼ HP: Indicate compressor manufacturer, voltage/hertz, refrigerant and complete manufacturer's model number.
2b	See list below	Compressor Lead Harness (not shown)
	904,900,611.01	All, except IEC Standard
	804,905,340.01	220-240v/50hz, IEC Standard
2c	902,000,570.01	Compressor Mounting Grommet
2d	900,901,880.01	Compressor Mounting Retainer Clip
2e	901,803,910.01	Compressor Grommet Plug, Plastic
3a	491,040,040.43	Condenser Base Plate
3b	See list below	Condenser Fan Motor Assembly
	491,040,200.03	115v
	491,140,300.03	220-240v
3c	See list below	Condenser Fan Motor
	804,500,670.01	115v
	804,500,700.01	220-240v
3d	800,103,370.02	Fan Blade (not shown)
4a	491,000,100.23	Drain Pan Assembly (not shown)
4b	801,804,240.51	Drain Pan, Plastic (not shown)
4c	905,800,690.01	Soaker, Fiberglass (14) (not shown)
5a	493,040,030.33	Condenser Baffle, Right Side (not shown)
5b	493,040,040.03	Condenser Baffle, Rear
6a	801,806,050.11	Drain Tube
6b	900,301,790.01	Drain Tube Nut
7a	901,900,500.01	Drain Hose
7b	900,901,030.01	Drain Hose Clamp
8	See listing below	Main Wiring Harness
	804,902,220.01 (a)	United States (shown)
	804,905,480.01 (b)	Australia, IEC 335
	804,905,490.01 (c)	United Kingdom, IEC 335
	804,902,160.21 (d)	Europe
	804,903,160.01 (e)	Mexico
	804,905,450.01 (f)	Italy
	804,905,470.01 (g)	Danish, IEC 335
	804,905,360.01 (h)	Germany, Splashwater Protector
9	143,040,011.13	Top Fan Housing
10	802,800,410.01	Temperature Control
11	491,040,110.43	Fan Shroud Condenser
12a	Provide information listed	Relay: Indicate compressor manufacturer, model # and voltage/hz.
12b	Provide information listed	Overload: Indicate compressor manufacturer, model # and voltage/hz.
13	802,401,260.01	Dryer
14	802,600,560.01	Condenser
15	802,600,370.51	Evaporator
16	802,400,460.01	Accumulator
17	802,800,420.01	Knob, Temperature Control

A6	900,600,230.02	Sheet Metal Screw, Type "A" (not shown)	(2)
A9	900,301,560.01	Sems Screw #8 - 32 x ¾	(8)
B3	900,301,810.01	Screw, #10 - 32 x 1½	
D1	900,700,360.01	Lockwasher, ¾"	(2)
E4	900,901,890.01	Tinnerman Clip	(2)
D6	900,400,440.01	Refrigeration Bolt ¾ - 16 x 1	(2)

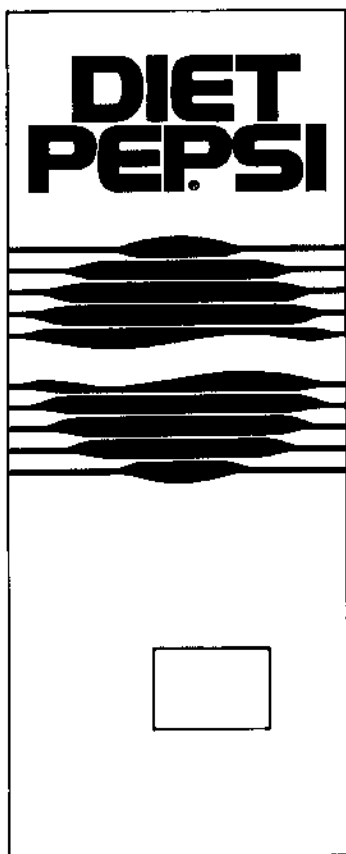
Signs and Decals - Pepsi (Magnum)



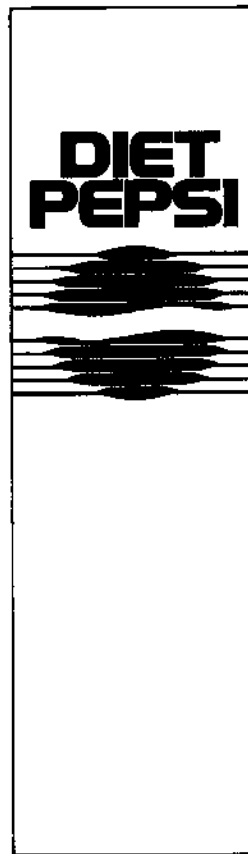
①



③



②

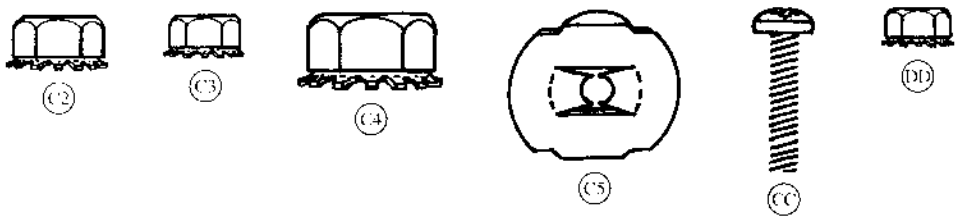
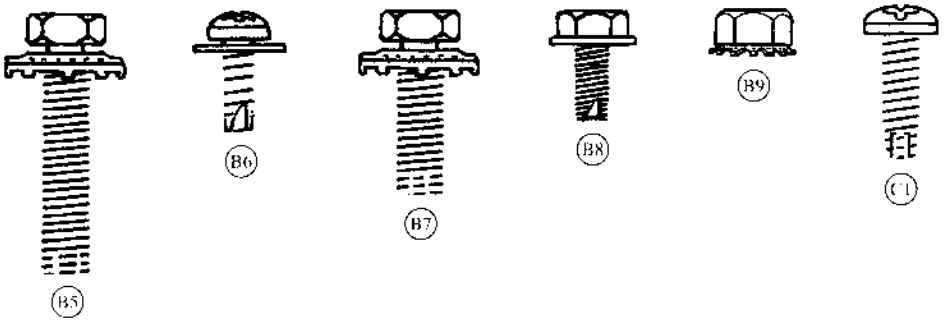
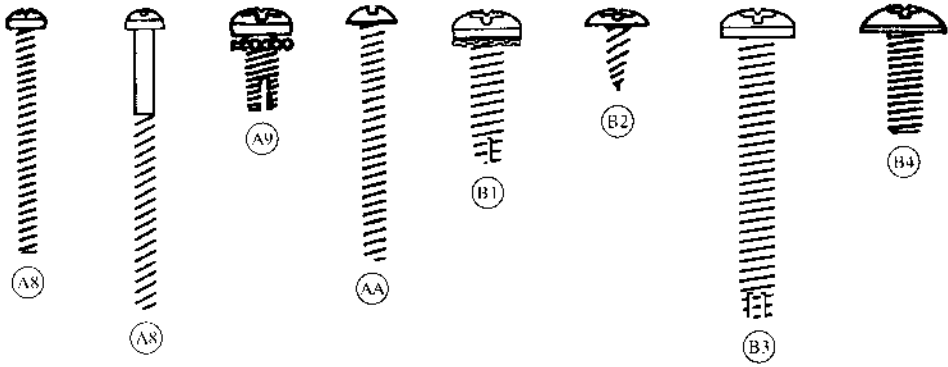
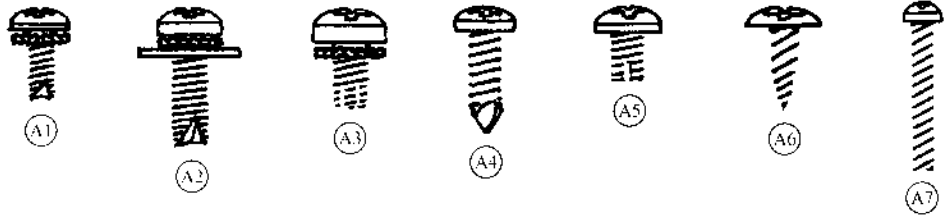


④

Signs & Decals - Pepsi (Magnum)

Item	Part Number	Part Name And Description
1	See list below	Pepsi Cola Signs
	805,009,860.01	Pepsi Can On Ice Sign (1992 graphics) (shown)
	805,008,180.01	Pepsi Can On Ice Sign (1991 graphics)
	805,005,790.21	Pepsi Sign (Target graphics)
	805,007,330.01	Pepsi Sign, Solar Grade
2	See list below	Diet Pepsi Cola Signs
	805,009,650.01	Diet Pepsi Sign (shown)
	805,009,910.01	Diet Pepsi Can On Ice Sign (1992 graphics)
3	See list below	Pepsi Cola Side Decals
	803,830,600.01	Pepsi Side Decal (1992 graphics) (shown)
	803,814,370.11	Pepsi Side Decal (1991 Target graphics)
4	See list below	Diet Pepsi Cola Side Decals
	803,830,670.01	Diet Pepsi Side Decal (1992 graphics)
	803,829,830.01	Diet Pepsi Side Decal (shown)

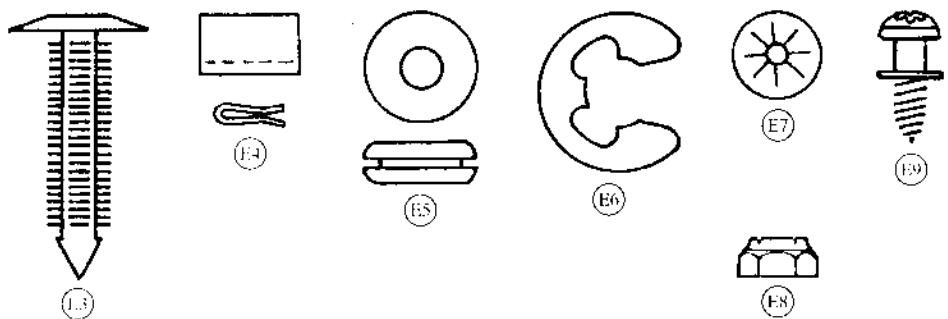
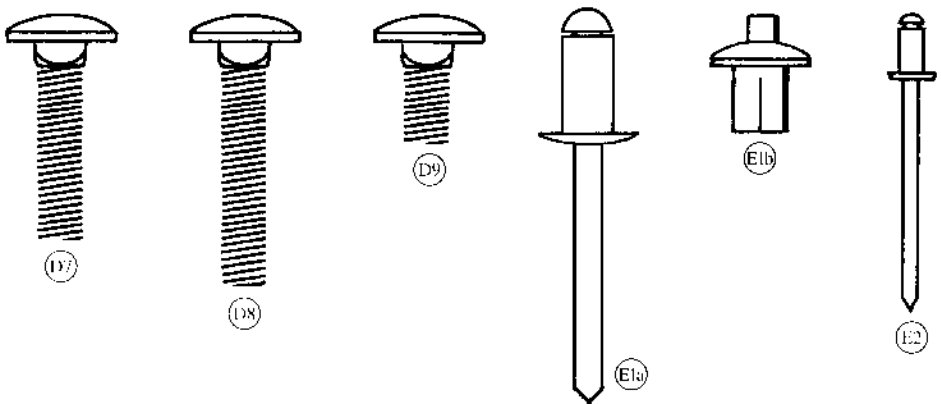
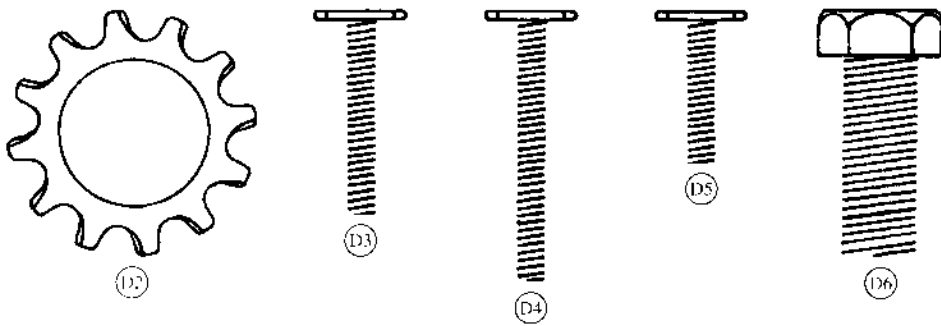
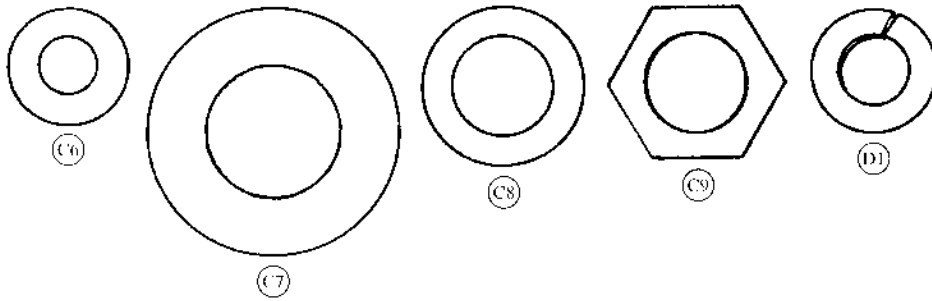
Screws & Nuts - Pepsi (Magnum)



Screws & Nuts - Pepsi (Magnum)

Item	Part Number	Part Name And Description
A1	900,301,700.01	Sems Screw #6 - 32 x $\frac{3}{8}$
A2	900,301,640.01	Sems Screw #8 - 32 x $\frac{1}{2}$
A3	900,301,830.01	Screw, Phil Pan #10 - 32 x $\frac{5}{16}$
A4	900,301,500.01	Screw, Phil Pan (without washer) #8 - 18 x $\frac{1}{2}$
A5	900,301,970.01	Screw, Phil Pan #8 - 32 x $\frac{1}{4}$
A6	900,600,230.02	Sheet Metal Screw, Type "A"
A7	900,300,470.01	Screw, Phil Pan #4 x $\frac{3}{4}$
A8	900,301,820.01	Vend Motor Screw #4 x $1\frac{1}{16}$
	900,301,610.01	Vend Motor Screw #4 x $1\frac{1}{2}$
A9	900,301,560.01	Sems Screw #8 - 32 x $\frac{3}{8}$
AA	900,201,310.01	Machine Screw #6 - 32 x $1\frac{1}{4}$
AB	900,301,960.01	Sems Screw #8 - 32 x $\frac{1}{4}$ (not shown)
B1	900,301,850.01	Sems Screw #8 - 32 x $\frac{5}{8}$
B2	900,300,160.01	Sems Screw #6 x $\frac{3}{8}$
B3	900,301,810.01	Screw #10 - 32 x $1\frac{1}{2}$
B4	900,201,140.01	Screw, Machine Truss #10 - 32 x $\frac{1}{2}$
B5	900,301,730.21	Self-Tapping Screw $\frac{1}{4}$ - 20 x 1
B6	900,301,650.01	Screw, Phil Pan (with washer) #8 - 18 x $\frac{1}{2}$
B7	900,302,010.01	Self-Tapping Screw $\frac{1}{4}$ - 20 x $\frac{5}{8}$
B8	900,301,690.01	Screw, Hex Tap #8 - 32 x $\frac{3}{8}$
B9	900,800,650.01	Keps Nut #10 - 32
C1	900,901,510.02	Screw, Phil Pan Tapping
C2	900,800,670.01	Keps Nut $\frac{1}{4}$ - 20
C3	900,800,500.01	Keps Nut #8 - 32
C4	900,800,690.01	Keps Nut (Top Door Hinge) $\frac{3}{8}$ - 16
C5	900,800,850.01	Speed Nut
CC	900,201,220.11	Machine Screw #8 - 32 x $\frac{3}{4}$
DD	900,800,490.01	Keps Nut #6 - 32

Washers, Bolts & Misc. - Pepsi (Magnum)



Washers, Bolts & Misc. - Pepsi (Magnum)

Item	Part Number	Part Name And Description
C6	900,700,600.01	Washer, Flat
C7	901,303,770.01	Washer, Hinge
C8	901,503,060.01	Washer, Flat (T-Handle)
C9	901,503,080.01	Washer, Hex (T-Handle)
D1	900,700,360.01	Lockwasher, $\frac{3}{8}$ "
D2	900,700,890.01	Lockwasher, $\frac{5}{8}$ "
D3	900,400,430.01	T-Bolt #8 - 32 x 1
D4	900,400,410.01	T-Bolt #8 - 32 x 1 $\frac{3}{8}$
D5	900,400,350.31	T-Bolt # 8 - 32 x $\frac{3}{4}$
D6	900,400,440.01	Refrigeration Bolt $\frac{3}{8}$ - 16 x 1
D7	900,201,170.01	Carriage Bolt $\frac{1}{4}$ - 20 x 1
D8	900,201,230.11	Carriage Bolt $\frac{1}{4}$ - 20 x 1 $\frac{1}{4}$
D9	900,201,450.01	Carriage Bolt $\frac{1}{4}$ - 20 x $\frac{1}{2}$
E1a	901,100,430.01	Pop Rivet $\frac{1}{4}$ "
E1b	901,100,440.01	Drive Rivet $\frac{1}{4}$ "
E2	901,100,520.01	Pop Rivet $\frac{1}{8}$ "
E3	900,902,130.01	Christmas Tree Clip
E4	900,901,890.01	Tinnerman Clip
E5	900,401,090.01	Grommet, Black Rubber #97
E6	901,503,070.01	E Ring
E7	900,900,900.01	Retainer
E8	900,800,510.01	Elastic Stop Nut #8 - 32
E9	900,301,980.01	Phil Pan Shoulder Screw #8 - 18 x $1\frac{1}{32}$