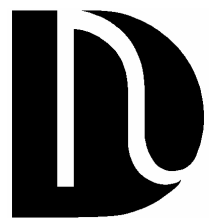
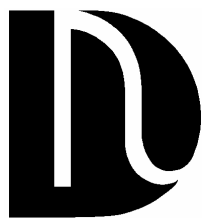
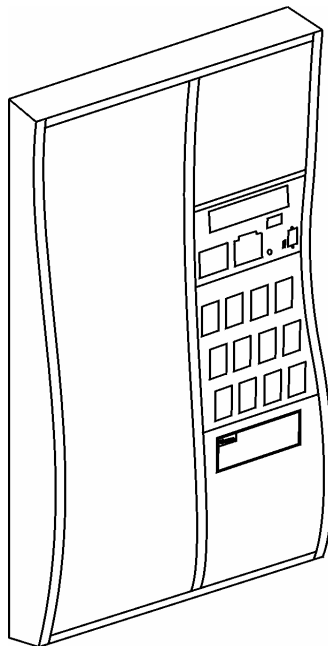


Coca-Cola Marketing Machine

Parts Service Troubleshooting Manual

Beginning Serial Number 0001-6501BW
June 1998



Dixie-Narco

Dixie-Narco Blvd.
P.O. Drawer 719
Williston, SC 29853-0719



INDEX

General Information	Pages 3 through 5
Installation & Set-Up.....	Pages 6 through 10
Hardware Configuration & Features.....	Pages 11 through 13
SIID Audit Features.....	Pages 14 through 18
Controller Programming.....	Pages 19 through 31
Programming Quick Reference.....	Page 32
Electrical Parts & Their Functions	Pages 33 through 37
Product Shimming	Page 38
Adjustments: Cams/Rear Spacers.....	Pages 39 through 42
General Maintenance.....	Pages 43 and 44
Trouble Shooting Flow Charts.....	Pages 45 through 57
Trouble Shooting Examples.....	Pages 58 through 64
Vending	Pages 58 and 59
Coin/Currency.....	Pages 60 and 61
Sold-Out Message.....	Page 62
Select Panel/Display.....	Pages 63 and 64
Refrigeration Parts & Functions	Pages 65 through 69
Refrigeration Cycle	Page 70
Refrigeration Trouble Shooting	Pages 71 through 76
Product Hot - Compressor will not run.....	Page 71
Product Hot - Compressor starts but will not keep running.....	Page 72
Product Hot - Miscellaneous.....	Page 73
Product Cold But Not Cold Enough - Compressor runs but won't cool product.....	Page 74
Product Too Cold or Frozen - Compressor runs too long or continuously.....	Page 75
Noisy Refrigeration Unit.....	Page 75
Excessive Condensate.....	Page 76
Glossary	Page 77
Electrical Schematics.....	Pages A1 through A6

WILLISTON, SC

Phone: (800) 688-9090
Phone: (803) 266-5000
FAX: (803) 266-5150

GENERAL INFORMATION

VENDER SAFETY PRECAUTIONS

Please read this manual in its entirety. This service information is intended to be used by a qualified service technician, who is familiar with proper and safe procedures to be followed when repairing, replacing or adjusting any Dixie-Narco vender components. All repairs should be performed by a qualified service technician who is equipped with the proper tools and replacement components, using genuine Dixie-Narco factory parts.

Repairs and/or servicing attempted by uninformed persons can result in hazards developing due to improper assembly or adjustments while performing such repairs. Persons not having the proper background may subject themselves to the risk of injury or electrical shock, which can be serious or even fatal.

MODELS AND DETAILS

DNCB 168

Height: 1439mm (56 11/16")
Width: 711mm (28 5/16")
Depth: 737mm (30 1/2")
Shipping
Wt: 211 (464 lbs)

DNCB 180

Height: 1439mm (56 11/16")
Width: 711mm (28 5/16")
Depth: 737mm (30 1/2")
Shipping
Wt: 211 (464 lbs)

DNCB 276

Height: 1829mm (72")
Width: 711mm (28 5/16")
Depth: 737mm (30 1/2")
Shipping
Wt: 260 (574 lbs)

DNCB 300

Height: 1829mm (72")
Width: 711mm (28 5/16")
Depth: 737mm (30 1/2")
Shipping
Wt: 260 (574 lbs)

DNCB 348

Height: 1829mm (72")
Width: 940mm (37 1/16")
Depth: 737mm (30 1/2")
Shipping
Wt: 330 (728 lbs)

DNCB 360

Height: 1829mm (72")
Width: 940mm (37 1/16")
Depth: 737mm (30 1/2")
Shipping
Wt: 288 (634 lbs)

DNCB 368

Height: 1829mm (72")
Width: 940mm (37 1/16")
Depth: 737mm (30 1/2")
Shipping
Wt: 312 (688 lbs)

DNCB 414

Height: 2007mm (79 1/2")
Width: 940mm (37 1/16")
Depth: 737mm (30 1/2")
Shipping
Wt: 358 (790 lbs)

DNCB 440

Height: 2007mm (79 1/2")
Width: 940mm (37 1/16")
Depth: 737mm (30 1/2")
Shipping
Wt: 331 (730 lbs)

DNCB 501T

Height: 1829mm (72")
Width: 940mm (37 1/16")
Depth: 813mm (32")
Shipping
Wt: 344 (758 lbs)

DNCB 522T

Height: 1829mm (72")
Width: 940mm (37 1/16")
Depth: 813mm (32")
Shipping
Wt: 305 (672 lbs)

DNCB 600T

Height: 2007mm (79 1/2")
Width: 940mm (37 1/16")
Depth: 813mm (32")
Shipping
Wt: 381 (840 lbs)

PRODUCT IDENTIFICATION

The age of Dixie-Narco products is determined by the date code incorporated in the serial number.

The vender serial number takes the form xxxx-yyyzzz. The first 4 digits (xxxx) identify the specific vender. The next 4 digits (yyyy) identify the manufacturing run that the vender was built in. The last two alpha characters (zz) identify the quarter and the year the vender was built. The first alpha character identifies the quarter:

A = 1st quarter
B = 2nd quarter
C = 3rd quarter
D = 4th quarter

The second alpha-character identifies the year:

T = 1995
U = 1996
V = 1997
W = 1998
X = 1999
Y = 2000
Z = 2001

SIID CAN & BOTTLE VENDER **INSTALLATION & SET-UP**

The Dixie-Narco SIID can and bottle vender is designed utilizing the latest technology featuring a highly sophisticated, micro-computer based control system. The SIID Electronic Vender is designed to meet the growing need for accountability, multi-pricing, programmability, and system diagnostics in can vending equipment. Along with these functions, DEX/UCS-communications to a hand-held computer is available to provide the ability to measure each vending location for product performance, vender performance, and accessing accounting data. This data can be used to maximize the efficiency of routes for servicing venders. DEX communications also provides the bottler security for the integrity of the "cash in" versus the "product sold". The vender design provides the flexibility required for the changing beverage industry as well as dependable performance for many years. This manual is prepared to assist the proper installation and set-up of the vender. Please read this manual carefully and become familiar with the SIID Vender before placing the vender on location.

RECEIVING INSPECTION

Upon receipt, inspect the vender for any shipping damage. If there is any damage have the driver note the damage on the bill of lading and notify Dixie-Narco. Although I.C.C. regulations require that the consignee originate shipping damage claims, Dixie-Narco will gladly help if you must file a claim.

UNPACKING THE VENDERS

Remove the stretch wrap and top cover from the vender. If flavor labels were shipped with your vender they will be affixed to the back of a vender in the shipment or in the cash box.

NOTE: DO NOT STORE THE VENDER OUTSIDE WITH THE STRETCH WRAP ON. THIS COULD CAUSE THE STRETCH WRAP TO BOND TO THE VENDER'S SURFACE, WHICH COULD DAMAGE THE FINISH.

Remove the shipping boards from the bottom of the vender. The shipping boards are attached by the leveling legs. Remove the shipping boards by **unscrewing** the leveling legs. A 1½ inch "socket type" wrench should be used on the bottom of the leveling legs. Be sure to replace the legs after removing the shipping boards.

To open the vender, locate the door lock keys which are secured inside the coin return cup. After unlocking the door, rotate the "T"-handle counter-clockwise until the door can be opened. Once inside, check the coin box on the door for any additional parts, pricing labels, or information concerning factory equipped accessories. Check the "T"-handle for proper alignment and locking functions. Check the lamps for proper installation.

ELECTRIC POWER NEEDED

Refer to the cabinet serial number plate to determine the proper voltage and frequency the machine requires (domestically this requirement is 115 Volts, 60 Hertz). Domestic venders will operate properly at +/- 10% of the specified voltage. For domestic models this is between 103 volts and 127 volts. The cabinet serial plate also indicates the amperage of the vender. Single phase, alternating current is required. The vender must be plugged in its own properly rated circuit with its own circuit protection (fuse/circuit breaker).

DO NOT USE AN EXTENSION CORD.

GROUND THE VENDER

The vender is equipped with a three wire power supply cord and MUST be plugged in a properly grounded outlet.

DO NOT REMOVE THE GROUND PIN OR IN ANY WAY BYPASS THE GROUNDING OF THE VENDER.

If the outlet will not accept the power cord plug, contact an electrician to install a proper AC outlet.

COIN CHANGERS AND OTHER ACCESSORIES

The SIID vender must have a coin changer installed and can have a bill acceptor installed. If the coin changer and other accessories are not factory installed refer to the instructions received from the manufacturer of the coin changer and other accessories for proper set-up and installation.

The SIID vender will support the following coin changers:

Multi-Drop Coin Mech (Domestic)
Coinco 9302GX
Mars TRC6510

BILL ACCEPTORS

If a bill acceptor is not factory installed, a bill acceptor interface harness must be ordered from Dixie-Narco. See the chart below:

Bill Acceptor Interface Harnesses

*** Also requires parts from acceptor manufacturer.**

Note: Bill acceptors will be inhibited anytime the door interlock switch is in the center position (service mode enable) even if service mode time out has occurred restoring the vender to normal operation.

OTHER ACCESSORIES

The SIID Vender is capable of interfacing to Debit Card and Data Recording systems. At this time only a few such accessories have been tested by Dixie-Narco. If such accessories are to be used check with either Dixie-Narco or the accessory manufacturer about physical and electrical compatibility before attempting to interface such accessories to the SIID Vender.

INSTALLING A COIN CHANGER

Hang the coin changer on its mounting plate and secure it by tightening the three securing screws. Plug the coin changer into the 6 pin socket for MDB changers, in the vender.

CAUTION: The coin changer must be plugged in with the power removed from the door or the coin changer may not power on properly.

After restoring power, manually load the coin changer coin tubes with at least 10 coins each. Following the program instructions for the SIID Vender, program each selection for its own vend price. A price of \$0.00 is free vend. After the

pricing is set return the vender to its operate mode either by closing the door or pulling the door closed switch out.
"Prime" the coin changer by making a correct change transaction.

PLACING THE VENDER ON LOCATION

CAUTION: DO NOT TRANSPORT THE VENDER TO OR FROM THE LOCATION LOADED WITH PRODUCT OR DAMAGE TO THE VENDER MAY RESULT.

The vender must be located on a solid, flat, and level surface. The vender must be positioned close enough to an electrical outlet that an extension cord is not required. If securing the vender to the floor or wall is required, call the Dixie-Narco Factory Service Department or your Dixie-Narco Representative for suggestions.

LEVEL THE VENDER

Level the vender. When the vender is level the door can be opened to any position and it will not move by itself. Open the door to several different positions before deciding the vender is level.

Make sure that all of the leveling legs are touching the floor. If you cannot level the vender, select another location. Do not place any objects under the machine.

DANGER: The vender must be properly located and leveled to minimize the risk of injury or death from tipping in the event of user misuse or vandalism.

SPACE THE VENDER

Do not block the rear of the vender. Keep the vender 4 inches (10 cm) from the wall to insure adequate airflow to the condenser and compressor. At the front of the vender, make sure that nothing obstructs the air intake at the bottom of the main door. At the rear of the vender, make sure nothing obstructs the air exhaust at the bottom of the cabinet.

LOADING THE VENDER

All SIID Venders are shipped ready to vend 12 oz. cans unless another package was specified at the time the vender was ordered from the factory. If a package other than a 12 oz. can is to be vended contact a Dixie-Narco Factory Service Representative, or refer to the proper technical bulletin for spacer settings and shims.

INITIAL LOADING

Oscillators must be in the extreme left or right position to insure proper loading. When loading wide columns, the first row of cans should be loaded on the bottom bar of the oscillator. The second row of cans must be loaded on the top bar of the oscillator. Always load complete rows, do not load only to the back or only to the front of the column. Rotors must be in the "cup" position to receive the first cans. When loading narrow columns lay the rows in the column until the column is full.

Do not fill the columns to the top of the cabinet. Allow about 3 inches at the top of the column because the can stack will move up and down in the column during the vend cycle. Correct loading will prevent service calls and insure proper vending.

After loading a vender for the first time, test vend each selection with money until the first can is delivered. This will ensure that the vender is loaded and working properly.

NOTE: TO INSURE PROPER AIR FLOW THROUGH THE EVAPORATOR, DO NOT PLACE CANS (OR OTHER FOREIGN OBJECTS) IN THE BOTTOM OF THE TANK.

INSTALLING FLAVOR CARDS

The flavor cards may be inserted one of two ways: 1.) in the select buttons, or 2.) in the flavor card carrier.

- 1.) **IN THE SELECT BUTTONS:**
Swing the coin changer mounting plate away from the outer door, exposing the back of the select buttons. The flavor cards are inserted in the back of the select buttons from either side.
- 2.) **IN THE FLAVOR CARD CARRIER:**
Swing the coin changer mounting plate away from the outer door, exposing the back of the select panel. Remove the flavor card carrier. Ensure the flavor cards are placed in the select button flavor card carrier position that corresponds to the column in which the product is loaded.

SIID

HARDWARE CONFIGURATION

The hardware configuration for the SIID Controller consists of a main control board and a display board. The select panel consists of low voltage switches. Sold-out indicators are eliminated in the SIID. The select switches interface directly to the main controller.

The motors used on the stack continue to be 115 VAC. The vend switches and sold-out switches are low voltage. There is only one vend switch per motor and one sold-out switch per column. The motors, vend switches, and sold-out switches directly interface to the main controller board. Each motor is independently controlled to provide the maximum flexibility for space to sales. The Main Controller supports up to 10 motors and 10 selections.

The Main Controller consists of one board. It consists of all the intelligence, memory, switch interfaces, stack interface (motors, vend switches, and sold-out switches), and peripheral interfaces which include coin changers, dollar bill validators, DEX interface and debit systems.

The DEX interface supports both an internal connection as well as an external connection. The interconnect is a 1/4" phono jack as specified and approved by NAMA. All electrical specifications, protocols, and baud rates are identified in the specification.

The door switch is included to determine door accesses. A service switch is located on the main controller board to access accounting data, programming features, and access diagnostic features through the front select panel.

A real time clock (RTC) with battery backed memory is provided so memory can be maintained during power failures. The life expectancy is 5 years shelf life and 10 years operational. The real time clock is displayed in military time (24 hour clock). The RTC is used for time stamping door closures, power outages, limited access, and selective discount pricing.

The intelligence of the Main Controller is an Intel 80C32 microprocessor. A minimum of 128k of EPROM and 8k of RAM (battery backed) is provided.

Early Display Boards will consist of four 7 segment LEDs to provide alpha-numeric characters. Future Display Boards will consist of four, fourteen segment LEDs to provide clearer alph-numeric characters. Also, the exact change indicator consists of an LED.

FEATURES

The following is a description of all the features of the SIID.

- DEX Compatible Hand-held Interface -

The vending industry (NAMA) has established an audit data protocol which is defined by DEX (Direct Exchange Of Data) and UCS (Uniform Communications Standards). This interface is a direct connect as defined by the specification. The SIID has provisions for an internal and external connection. The external connection provides a limited amount of information.

The internal connection provides the full capability of DEX/UCS. These capabilities include full audit of interval and historical data, system programming, diagnostics, and limited access.

- 10 Column Stack Compatible -

The SIID Controller is capable of driving up to 10 stack motors independently. The motors will be 110 VAC. The vend switches and sold-out switches are low voltage, gold cross-point switches. The interface for the cam position and empty detection is located on the controller board.

- Low Voltage Select Panel -

The select panel consists of gold cross-point switches. The interface circuitry is located on the controller board. The controller board supports up to 10 selections.

- Programmable Space To Sales -

Programmable space to sales is a feature which allows columns to be assigned to select buttons. Columns are dispensed evenly when more than one column is assigned to a select button or group of select buttons.

- Select Panel Controller Programming -

or

- Hand-held Controller Programming -

The SIID vender has the capability to be programmed through the select panel. The SIID vender can also be programmed through the DEX port with the same hand-held used to access the accounting data.

**- LED Display (Light Emitting Diodes) -
Optional LCD Display (Liquid Crystal Diodes)**

Early displays consist of 4 characters utilizing 7 segment LEDs for each character to provide a true alpha-numeric display. Future display boards will consist of four, fourteen segment LEDs to provide clearer alpha-numeric characters. The display is implemented on it's own printed circuit board.

- Sold Out Message/Selection -

Each selection is supported by a sold-out message. When a given selection is sold-out and that selection is pressed, "SOLd Out" will scroll across the display.

- Price Displayed when Selection is pressed -

The operation of the vender in the ready mode provides the customer the price of any selection when that particular select button is pressed. If all selections are set at the same price in primary set price and the same price in secondary set price, the vend price is displayed at all times on the display.

- Single Price or Multi-Price via Select Panel or Hand-held -

Prices for each selection are programmed either through the front select panel or through the DEX hand-held device. For single price configuration, each selection has to be programmed for the same price.

- Accounting Data Provided -

The accounting features are accessed through the front select panel. These include **(CASH)** historical cash data, which is not resettable, **(CLN)** resettable cash data, **(SALE)** historical vend data, and **(SLN)** resettable vend data.

(CASH)	Historical Data: The total cash collected by the vender
(CLN)	Resettable Data: The total cash collected for each selection.
(SALE)	Historical Data: The total number of vends by the vender.
(SLN)	Resettable Data: The total number of vends for each selection.

The types of data that can be retrieved via the DEX interface to a hand-held device is addressed in the SIID Audit Features section.

- Limited Access on Selection (Time, Days, Price) -

The limited access feature allows each selection to be inhibited with respect to time and selected days of the week. Also, prices of selections can be altered (Happy Hour) with respect to time and selected days of the week.

- Multiple Coin Changer Interfaces -

The SIID Controller supports the following coin changer interfaces.

A) MDB Multi-Drop Specification (USA)

- MDB Bill Validators -

Coinco BA-30 Bill Validators interface to the SIID Controller. Also, validators which interface to the new MDB (Multi Drop Bus) specification should also be compatible, but have not been tested and approved as of this publication. If a bill acceptor is not factory installed, an interface harness will need to be ordered from Dixie-Narco, and/or the bill acceptor manufacturer.

- Verifone/Debitek Card Compatible -

The SIID is capable of interfacing to Debit Card and Data recording systems. At this time only a few such accessories have been tested by Dixie-Narco. If such accessories are to be used check with either Dixie-Narco or the accessory manufacturer about physical and electrical compatibility before attempting to interface such accessories to the SIID vender. The SIID supports any Debit Card/Data Recording manufacturer's systems that meet NAMA II protocol.

SIID AUDIT FEATURES

The SIID provides two methods of accessing audit data. A limited amount of audit information is available in the system set-up/audit menu. More extensive audit information is accessible electronically.

SYSTEM SET-UP/AUDIT MENU

Four types of audit data are available in the system set-up/audit menu. "CASH", which is the historical total cash counted for the vender; "CLN", which is the resettable cash counted for each selection for the vender; "SALE", which is the historical total number of vends for the vender; "SLN", which is the resettable total number of vends for each selection for the vender.

The audit data is accessed by pressing select button 4 when "CASH" or "SALE" is on the display. With "CASH" on the display, press select button 2 to scroll into "CLN". With "SALE" on the display, press select button 2 to scroll into "SLN".

ELECTRONIC ACCESS

A much more extensive amount of audit information is accessible electronically. It is retrieved with a portable data collection device and typically loaded into a computer at a central location. The data can then be tracked with a data base, for preparing route stocking lists, tracking cash flow, doing inventory control and other tasks. Data collection devices are available from several sources including: Norand, Fujitsu, Panasonic, Telxon, Verifone and Mars. Dixie-Narco currently collects data with a PC program running on a portable notebook computer.

The SIID uses the DEX/UCS protocol as the method of exchanging data with the portable data collection device. DEX/UCS was formally adopted as the standard method of collecting audit data for the vending industry by the National Automatic Merchandising Association (NAMA) in April of 1991. DEX/UCS has been used in related industries since 1989. It was developed by the Arthur D. Little Company and is administered and maintained by the Uniform Code Council (UCC). The NAMA Vending Electronics Standardization Committee developed and published a comprehensive set of data records relevant to the vending industry. The SIID reports the portion of these related to this specific machine design. The current list of records and their usage by the SIID follows.

DEX stands for Direct EXchange of data, which means there is a hard-wired connection between the two systems exchanging data. This is done by inserting a ¼ inch phone plug on the portable data collection device in a jack mounted on the SIID. Inserting the plug automatically initiates the exchange of data, which takes several seconds. No other machine functions are available while the exchange is taking place. The operator is told that the exchange is taking place by the display of the message "DEX IN PROGRESS". Most of the data records are reported in both an interval and historical format. The historical values represent a total of the values since the machine shipped from the factory. The interval values are the data collected since the last time it was collected electronically.

The following types of audit data are accessible electronically:

- Machine Identity Information
- Date and Time of Interrogation
- Cash Sales Summary
- Cash Input and Output Summary
- Product Sales Information
- Machine Configuration
- Events:
 - Door Openings
 - Interrogations
 - Programmable Access Limits
 - Time of Day Discounts

In addition to retrieving audit data, every machine configuration parameter that can be programmed in the service menu can be programmed electronically via the DEX port.

The following types of data can be configured electronically:

- Machine Identity
- Date and Time
- Price and Product Information
- Space to Sales
- Limited Access Control Parameters
- Time of Day Discounts Control Parameters
- Escrow Mode *

* Escrow mode cannot be transferred with the Norand Device.

SAMPLE

SIID CONFIGURATION & ACCOUNTING REPORT

Vender Identification:

Serial Number: 1234-6132BR
Model Number: DNCB501T SIID
Location: NAMA SHOW - CHICAGO, IL
Asset Number: 362436
of Columns: 8
of Selections: 7

Significant Events:

	<u>RECENT</u>	<u>HISTORICAL</u>
Door Openings:	2	12
Power Outages:	1	2
Total Vends:	10	213
Total Sales:	\$7.50	\$159.75

Vender Configuration:

Coin Mechanism: MICRO MECH
Escrow Mode: ESCROW TO SELECT / dollar bill escrow

SELECTION	PRICE(\$)	HHPRICE(\$)	DESCRIPTION
1	0.75	0.50	Cola
2	0.75	0.50	Cola
3	0.75	0.50	Cola
4	0.75	0.50	Apple Juice
5	0.75	0.50	Diet Cola
6	0.75	0.50	Diet Cola

7 0.75 0.60 Tea

Space to Sales Configuration:

<u>Selections:</u>	<u>Columns</u>							
	1	2	3	4	5	6	7	8
1 Cola	X	X						
2 Cola			X					
3 Cola				X				
4 Apple Juice					X			
5 Diet Cola						X		
6 Diet Cola							X	
7 Tea								X

Limited Access:

Days:	S	M	T	W	Th	F	S
		X	X	X	X	X	

Times: 11:00 to 12:00 and 13:00 to 14:00

- Selections:
- 1 Cola
 - 2 Cola
 - 3 Cola
 - 5 Diet Cola
 - 6 Diet Cola

Happy Hour Times:

Days:	S	M	T	W	TH	F	S
						X	

Time: 08:30 to 17:30

Vender Accounting Summary:

Selection	Vends	Sales(\$)	His. Vends	His. Sl\$.
1 Cola	0	0.00	65	48.75
2 Cola	5	3.75	43	32.25
3 Cola	0	0.00	7	5.25
4 Apple Juice	0	0.00	18	13.50
5 Diet Cola	1	0.75	20	15.00
6 Diet Cola	4	3.00	41	30.75
7 Tea	<u>0</u>	<u>0.00</u>	<u>10</u>	<u>7.50</u>
TOTAL	10	7.50	204	153.00

HAPPY HOUR (hh) Accounting Summary:

Selection	hhven	hhsal(\$)	hishhven	hishhsls
1 Cola	3	0.50	1	0.45
2 Cola	0	0.50	8	3.60
3 Cola	0	0.50	1	0.50
4 Apple Juice	0	0.50	0	0.00
5 Diet Cola	0	0.50	0	0.00
6 Diet Cola	0	0.50	5	2.50
7 Tea	<u>0</u>	<u>0.50</u>	<u>2</u>	<u>1.20</u>
TOTAL	3	1.00	17	8.50

Vender Cash Accounting:

BILLS & COIN IN Recent Hist. 7.50 159.75	COIN PAID OUT Recent Hist. 3.50 19.50	CASH OUT MANUALLY Recent Hist. 0.00 0.75
COIN TO BOX 4.75 43.50	COIN TO TUBES .75 8.25	BILLS IN 2.00 108.00

Sold Out Activity:

Selection	DATE	TIME	SELECTS ATTEMPTED
1 Cola	9-24-93	1:32pm	13
2 Cola	9-25-93	1:23pm	12
3 Cola	=====	=====	=====
4 Apple Juice	=====	=====	=====
5 Diet Cola	=====	=====	=====
6 Diet Cola	9-26-93	11:30am	5
7 Tea	=====	=====	=====

PROGRAMMING THE SIID VENDER

To program the SIID Vender, it is necessary to enter the System Set-Up/Audit/Diagnostics Mode. Open the inner door and press the Service Switch on the control board. The display reads "ErOr". If the display reads 1.00 the door switch did not go to its center position or the switch is defective.

Note: The door switch has three positions. Fully in and fully out puts the vender in its normal mode. When the switch is in its center position the System Set-Up/Audit/Diagnostics Mode may be entered.

There is a time out for the service Mode. If no accounting or set-up functions are used for 2 minutes, the vender will return to its normal mode. After time out, the service switch on the control board has to be pressed to re-enter the System Set-Up/Audit Mode.

SIID CONTROLLER PROGRAMMING

0773-6201CS & HIGHER

The controller has two modes of operation:

NORMAL MODE:

In normal mode, the display will show a decimal point. If decimal is blinking, this indicates an error or problem recognized in the vender. When money is inserted, the display indicates the total amount of the deposit. The select buttons are used to select the product.

SYSTEM SET-UP/AUDIT/DIAGNOSTICS MODE:

System set-up/audit/diagnostics mode is entered when the vender inner door is open and the service switch is pressed. The display will show a list of error codes for errors that have occurred since the door was last opened. "JC-#" is a jammed column, "SS-#" is a select switch problem, and "EN-#" is an enable error (board component failure). To acknowledge an error, press any select button, at this time you will enter the menu. The display will show "HD" at this time. Some of the menu items have sub-menus. To move through the menus and sub-menus follow these instructions. To:

In-Line

MOVE THROUGH MENU: Press select buttons 1 & 2 simultaneously to scroll down through the menu. While scrolling down through menu, release, press select buttons 1 & 2 simultaneously to scroll up through menu.

ENTER SUB-MENU: Press and hold select button 1 to enter a sub-menu.

EXIT SUB-MENU: With "RTN" on display, press and hold select button 1 to exit a sub-menu.

EXIT SYSTEM SET-UP/AUDIT/DIAGNOSTICS MODE:

Closing the inner door or a two-minute inactivity time-out will exit the system set-up/audit/diagnostics mode.

FRONT PANEL PROGRAMMING SYSTEM SET-UP/AUDIT/DIAGNOSTICS MENU

HD – HISTORICAL DATA

This section shows the user the vender accounting over the life of the vender. Use the following select buttons to view the total sales in dollars, total number of vends and the total number of vends for each selection.

Press Select Button 1: Shows the historical total cash sales for the life of the vender.
Press Select Button 2: Shows the historical total number of vends.
Press Select Button 3: Shows the historical number of vends by selection. Each selection automatically scrolls across the display.

Press & hold select buttons 1 & 2 simultaneously to move to the next item on the menu.

RD – RESETTABLE DATA

This section shows the user the vender accounting data since the time of the last counter reset. This data can be reset either from this menu or by a DEX interrogation.

Press Select Button 1: Shows the total cash collected since the last counter reset.
Press Select Button 2: Shows the total number of vends since the last counter reset.
Press Select Button 3: Shows the total number of vends by selection since the last counter reset. Each selection automatically scrolls across the display.
Press Select Button 4: This button zeros the resettable data described above. Hold button "4" for 5 seconds and "COUNTERS RESET" will be displayed. At this time, all resettable data will return to "0".

Press & hold select buttons 1 & 2 simultaneously to move to the next item on the menu.

S-P - SET PRICE

This function is used to set the price of each selection. When a select button is pressed, the price for that selection will be displayed. If the button is held in, the price will increment or decrement. To change from increment to decrement, release the select button and press it again. To set all selections for the same price: set desired vend price on select button #1, then simultaneously press and hold select buttons 3 & 4 for five seconds, this will change the vend price of all selections, both primary and secondary, to the price programmed to select button #1.

Note: The SIID's multi-pricing capability allows you to set all selections to any price in the range of \$0.00 to \$99.95.

Press & hold select buttons 1 & 2 simultaneously to move to the next item on the menu.

C-D - COIN DUMP/COIN FILL MODE COIN DUMP:

This section is used to dump coins from the coin mechanism while in "C-D" mode.

Press & hold Select Button 1: Dump Nickels.
Press & hold Select Button 2: Dump Dimes.
Press & hold Select Button 3: Dump Quarters.
Press & hold Select Button 4: Dump 4th tube in 4 tube changers.

COIN FILL MODE

This section is used to count coins loaded in the top (separator) of the coin mech. Insert coins in the top (separator) of the coin mech. The total value of the coins will be displayed and will be counted in the DEX audit data, so the SIID controller knows exactly how much change is in the coin mech.

Press & hold select buttons 1 & 2 simultaneously to move to the next item on the menu.

USER - USER OPTIONS MENU

This function is used to configure the vender to operate in the fashion best suited for the vender location. To move to diagnostics (DIAG), press & hold select buttons 1 & 2 simultaneously, to enter the USER sub-menus press select button 1. The following are sub-menus of the User Option Menu: "STS", "TIME", "DATE", "ESC", "LANG", "PROM", "ECNT", "NF", "CR", "BILL", "LIM", "SEC", "ACD", "FREE", "DST", "DSTR", "SCE", "COIN", "SSM", "MV", and "RTN".

STS - SPACE TO SALES

To view the space to sales condition, press any select button to display the current columns assigned to that select button.

To change space to sales condition:

To Add Selection:

Press Service Switch, "ADD" will be displayed. Note: Pressing the service switch will toggle between add and delete. A 10 second inactivity time-out will return to "STS". Press and hold any select button, whichever select button you are holding is the select button the additional column will be assigned. While holding the select button, the display will read "ADD #" and the selection will increment from 1 to 10. Release select button when the desired column # to be added is displayed. A message will scroll across the display telling you what column will be assigned to the button you were holding. Press service switch to complete space to sales decision and re-enter service mode.

To Remove Selection:

Press Service Switch, "ADD" will be displayed, press service switch again and "DEL" will be displayed. Note: Pressing the service switch will toggle between add and delete. A 10 second inactivity time-out will return to "STS". Press and hold any select button, the select button you are holding is the select button from which the additional column will be removed. While holding select button, the display will read "DEL #" and the selections will increment from 1 to 10. Release select button when the desired column # to be removed is displayed. A message will scroll across the display telling you what column will be deleted from the button you were holding. Press Service Switch to complete space to sales decision and re-enter service mode.

NOTE: Only one space to sales change may be made at a time. The service switch must be pressed before and after each change.

Press & hold select buttons 1 & 2 simultaneously to move to the next item on the menu.

TIME - TIME

To display time, press and let go of any select button. Time will be displayed in military time (24 hour clock). To change time, press and hold select button **1** or **2**, the time will increment or decrement. To change from increment to decrement, release the select button and press it again.

To change time:

Press & hold Select button 1: set hours.
Press & hold Select button 2: set Minutes.

Press & hold select buttons 1 & 2 simultaneously to move to the next item on the menu.

DATE - DATE

To view date, press and let go of select button 1 or 2 to display month and day. Month and day will be displayed as "X.YY" where "X" represents the month and "YY" represents the day. Press and let go of button "3" to display day of week, press and let go of button "4" to display year.

To change date:

- Press & hold Select Button 1: set Month
- Press & hold Select Button 2: set Day
- Press & hold Select Button 3: set Day Of Week

Sunday	1	Thursday	5
Monday	2	Friday	6
Tuesday	3	Saturday	7
Wednesday	4		
- Press & hold Select Button 4: set Year

Press & hold select buttons 1 & 2 simultaneously to move to the next item on the menu.

ESC - ESCROW

This section supports 4 (four) escrow options. To show the current escrow condition, press any select button.

To change the escrow condition:

- Press & hold Select Button 1: **"Pr" - Escrow to Price**
The escrow condition is "escrow to price". All dollar bills will be stacked. No cancel sale is allowed once minimum vend price is met or exceeded.
- Press & hold Select Button 2: **"E-S4" - Escrow to Select 4**
The escrow condition is "escrow to select" with all dollar bills being stacked. Cancel sale will return the deposit from the coin changer (i.e. 4 quarters).
- Press & hold Select Button 3: **"E-S1" - Escrow to Select 1**
The escrow condition is "escrow to select" with the last dollar bill that meets or exceeds maximum vend price being escrowed in the validator. Cancel sale will return the held dollar bill and any amount over \$1 will be returned from the coin changer.
- Press & hold Select Button 4: **"E-P2" - Escrow No Cancel**
The escrow condition is "escrow no cancel" with all bills stacked, and no cancel sale allowed unless the vender is in exact change and the maximum vend price is exceeded. Note: Any money entered below the vend price cannot be returned.

Press & hold select buttons 1 & 2 simultaneously to move to the next item on the menu.

LANG - LANGUAGE

This function is used to set the language that will be used for display messages. To display the current language selected, press select button 1. To change the language selected, press & hold select buttons 1 and 2 simultaneously to scroll through the language menu. Once the desired language is shown on the display, let go of the buttons. The display will then return to "LANG".

English	ENGL	Spanish	SPN	Italian	ITA	Dutch	DUT
German	GERM	French	FRN	Portuguese	PORT	Slovenia	SLOV

Press and hold select buttons 1 & 2 simultaneously to move to the next item on the menu.

PROM - PROMOTIONAL SALES

This function is used to initiate a promotional sale.

To show the current promotional condition,:

- Press Select Button 1: To show "UN-#", where # equals the number of vends required to initiate promotion.
- Press Select Button 2: To show "FR-#", where # equals the number of free beverages to be delivered after the number of required vends have occurred, as programmed, to initiate promotion.
- Press Select Button 3: To show enabled #'s of the selections that are enabled for the promotion.

To change the promotional sales conditions:

- Press & hold Select Button 1: The number of vends required to initiate the promotional sale will increment from zero to 25 and then return to zero. Release the select button when the desired number of vends to initiate the promotional sale is displayed.

- Press & hold Select Button 2: *Note: If "UN-O", the promotion is disabled.*
The number of free beverages to be delivered after the number of vends have occurred will increment from zero to 25 and then return to zero. Release the select button when the desired number of free beverages to be delivered is displayed.
- Press & hold Select Button 3: *Note: If "FR-O", the promotion is disabled.*
Display will show "ENABLED SEL # (s) where # shows the selections that are enabled for the promotion to occur.

To add or delete selections:

- A) Press the service switch. The display will show "ADD", indicating selections will be added. Press the service switch again and the display will show "DEL", indicating selections will be deleted.
- B) Press and hold any select button. The display will show "ADD #" or "DEL #", where # is a select button number. While holding a select button, the # will increment from 1 to the maximum select button number and return to 1.
- C) Release the select button when the desired selection # to be added or deleted is displayed. A message will scroll across the display, telling you what selection will be added or deleted.
- D) Press the service switch to complete the decision.

NOTE: Only one selection may be added or deleted at a time. The service switch must be pressed before and after each change.

Important: Promotional sales, when enabled, will be on at all times of the day.

Press & hold select buttons 1 & 2 simultaneously to move to the next item on the menu.

ECNT - ELECTRONIC COUNTER

This function is used to show historical total vends, historical product counts that have occurred for prices being used, and interval product count for each selection from outside the vender. To program the SIID to use this function, press any select button. The current setting or four (4) key programming will be displayed. If "----" no code is programmed.

To program or to change four (4) key program:

- A) Press service switch. Display will show "----", indicating the new code is ready to be entered.
- B) Press the four (4) select buttons that are desired to be in the code. As they are pressed, the display will change to show the four (4) select buttons chosen. Note: Four (4) separate buttons must be used or the pattern will not be saved. Note: Only select buttons 1 through 9 may be used.
- C) Press the service switch. The display will change back to "ECNT".

To show the current count, hold the four keys programmed for five (5) seconds. The display will show historical total vends.

To view other data:

- Press & hold Select Button 1: Show historical total vends.
- Press & hold Select Button 2: Show list of prices and historical product counts that have occurred for those prices.
- Press & hold Select Button 3: Show interval product count for each selection.
- Press & hold Select Button 4 for five seconds: Resets interval data. "COUNTERS RESET" will scroll across display.

Press any select button greater than 4 will return the vender to normal operation.

Note: There is a two (2) minute time-out that will return the vender to normal vending mode.

Press & hold select buttons 1 & 2 simultaneously to move to the next item on the menu.

NF - NOTE FACTOR (for use with foreign note acceptors only)

Will only be present in menu if SET BILLS ONLY is programmed to "BILLS YES".

Some foreign note acceptors that use a pulsed signal to indicate the value of the note being accepted must have the value of that pulse (the note factor) programmed in the vender. The SIID will determine the value of the note inserted by multiplying the number of pulses counted by the Note Factor programmed.

To show the current Note Factor "NF" condition:

Press any select button and the current value will be displayed.

To change the Note Factor "NF" condition:

Press and hold any select button. The Note Factor will increment or decrement from 100 to 10,000. To change from increment to decrement, release the select button and press it again. Note: 100 is \$1.00 in domestic use.

NOTE: The decimal point position will be communicated by the coin mech to the SIID control board.

Press & hold select buttons 1 & 2 simultaneously to move to the next item on the menu.

CR - CHANGE RULES (for use with foreign L-Plus coin mechs only)

Some countries have coin mechs that do not use all three coin tubes. This would not allow the SIID to come out of exact change mode. To accommodate this, the Change Rules section allows the SIID to be programmed to use the tubes necessary for the SIID to not be in an exact change mode.

To show the current Change Rules condition, press any select button and the display will show "ABC", indicating tubes A, B, and C must have change. "A" refers to the tube on the left, "C" refers to the tube on the right, and "B" refers to the tube in the middle.

To change the Change Rule Condition:

Select Button 1: When pressed, enables and disables Tube A.

Select Button 2: When pressed, enables and disables Tube B.

Select Button 3: When pressed, enables and disables Tube C.

Press and hold select buttons 1 & 2 simultaneously to move to the next item on the menu.

BILL - SET BILLS ONLY (SIID Only)

This function is used to program the vender to take bills only.

To show the current "BILL" condition: Press select button 1 and the current condition will be displayed.

To change the "BILL" condition:

Press Select Button 1: When pressed, enables "BILLS YES" mode. You no longer need to use a changer; the controller will operate with bills only.

Press Select Button 2: When pressed, enables "BILLS NO" mode. You need to use a changer; the controller will not operate the note acceptor without a changer.

Press and hold select buttons 1 & 2 simultaneously to move to the next item on the menu.

LIM - LIMITED ACCESS MENU

This function is used to program the vender to use the Limited Access Features. To move to Secondary Price Menu "SEC", press & hold select buttons 1 & 2 simultaneously, to enter the sub-menu press select button 1. The following are sub-menus of Limited Access Menu: "LAOS", "LAOD", "PER1", "PER2", and "RTN".

LAOS - LIMITED ACCESS ON SELECTION

This function is used to set selection(s) which will be limited during certain periods of the day. To view the limited access on selection condition, press any select button. The display will show "DISABLED" or "ENABLED SEL - #(s) where # shows the selections that are set for limited access. To change limited access on any selection, press and hold the desired select button until the message displayed is the desired limited access condition for that selection.

ENABLED SEL - #(s) - Selection(s) displayed are on limited access.

DISABLED - All selections are not on limited access.

Press & hold select buttons 1 & 2 simultaneously to move to the next item on the menu.

LAOD - LIMITED ACCESS ON DAYS:

This function is used to set the days of the week for limited access. To view the limited access on days condition, press and let go of any select button. The display will show "ENABLED ON DAYS - #(s)"

Day of Week:	Sunday	1	Wednesday	4	Saturday	7
	Monday	2	Thursday	5		
	Tuesday	3	Friday	6		

To change limited access on days:

To Add Days:

Press service switch, "ADD" will appear on display. Press and hold any select button to scroll through days. Release select button at desired day to turn on limited access. Press service switch to complete limited access on days decision. This must be done for each day to be added.

To Remove Days:

Press service switch, "ADD" will appear on display. Press service switch again, "DEL" will appear on display. Press and hold any select button to scroll through days. Release select button at desired day to turn off limited access on that day. Press service switch to complete limited access on days decision. This must be done for each day to be removed.

NOTE: Only one limited access on days change may be made at a time. The service switch must be pressed before and after each change.

Press & hold select buttons 1 & 2 simultaneously to move to the next item on the menu.

PER1 - PERIOD 1

This function is used to set time to start and end limited access. To display PER1 start time, press and let go of select button **1 or 2**. To display PER1 end time, press and let go of select button **3 or 4**.

To Change:

PER1 Start Time:

To change start time, press and hold select button 1 to change hours, and select button 2 to change minutes. The time will increment or decrement. To change from increment to decrement, release the select button and press again.

PER1 End Time:

To change end time, press and hold select button 3 to change hours, and select button 4 to change minutes. The time will increment or decrement. To change from increment to decrement, release the select button and press again.

NOTE: Start time has to be less than end time. You must set an on and off time when using PER1.

Press & hold select buttons 1 & 2 simultaneously to move to the next item on the menu.

PER2 - PERIOD 2

Set time to start and end limited access the same as period 1.

Limited access can be enabled for two different periods in one day.

Press & hold select buttons 1 & 2 simultaneously to move to the next item on the menu.

RTN - RETURN

This function is used to return to the User Option Menu.

Press select buttons 1 & 2 simultaneously to return to "LAOS".

Press select button 1 to return to the User Option Menu at "LIM".

Press & hold select buttons 1 & 2 simultaneously to move to the next item on the menu.

SEC - SECONDARY PRICE MENU

This function is used to program a second price for each selection. To enter the sub-menu press select button 1. The following are sub-menus of Secondary Price Menu: "S-P2", "PR2P", "PR2D" and "RTN". To move to User Options Menu press select buttons 1 & 2 simultaneously until "RTN" shows on display. Press select button 1 to return to "USER".

S-P2 - SET SECONDARY PRICE

This function is used to set a secondary price for each selection. When a select button is pressed, the price for that selection will be displayed. If the button is held in, the price will increment or decrement. To change from increment to decrement, release the select button and press it again.

Press & hold select buttons 1 & 2 simultaneously to move to the next item on the menu.

PR2P - SET SECONDARY PERIOD

This function is used to set time to start and end secondary prices. To display PR2P start time, press and let go of select button 1 or 2. To display PR2P end time press and let go of select button 3 or 4.

To Change:

PR2P Start Time:

To change start time, press and hold select button 1 to change hours, and select button 2 to change minutes. The time will increment or decrement. To change from increment to decrement, release the select button and press again.

PR2P End Time:

To change end time, press and hold select button 3 to change hours, and select button 4 to change minutes. The time will increment or decrement. To change from increment to decrement, release the select button and press again.

There is only one period in a day for enabling secondary pricing.

NOTE: Start time has to be less than end time. You must set an on and off time when using PR2P.

Press & hold select buttons 1 & 2 simultaneously to move to the next item on the menu.

PR2D - SET SECONDARY DAYS

This function is used to set the days of the week for secondary pricing. To view the PR2D press and let go of any select button. The display will show "ENABLED ON DAYS -".

Day of Week:

Sunday	1	Wednesday	4	Saturday	7
Monday	2	Thursday	5		
Tuesday	3	Friday	6		

To change PR2D:

To Add Days:

Press service switch, "ADD" will appear on display. Press and hold any select button to scroll through days. Release select button at desired day to turn on PR2D. Press service switch to complete PR2D decision. This must be done for each day to be added.

To Remove Days:

Press service switch, "ADD" will appear on display. Press service switch again, "DEL" will appear on display. Press and hold any select button to scroll through days. Release select button at desired day to turn off PR2D. Press service switch to complete PR2D decision. This must be done for each day to be removed.

NOTE: Only one secondary pricing on days may be made at a time. The service switch must be pressed before and after each change.

Press & hold select buttons 1 & 2 simultaneously to move to the next item on the menu.

RTN - RETURN

This function is used to return to the User Options Menu.

Press select buttons 1 & 2 simultaneously to return to "S-P2".
Press select button 1 to return to "SEC".

Press select buttons 1 & 2 simultaneously to move to the next item on the menu.

ACD - SET ACD AUDIT BOX (Note: This feature is available in specific software rev. levels only.)

This function is used to support the Greenwich Audit Box features when enabled. To view "ACD" setting, press and release select button 1. The display will show "ENABLED" or "DISABLED". To change from "ENABLED" to "DISABLED" press and release select button 1.

Press select buttons 1 & 2 simultaneously to move to the next item on the menu.

FREE - FREE VEND ENABLE

This function is used to allow 5, 6, and 8 column venders to be set on free-vend using a mechanical switch. The free-vend enable must be turned on for the switch to allow free-vend, and a free-vend switch kit (491,742,600.04) must be installed using installation instructions E004.X from Dixie-Narco.

Press Select Button 1: Toggle free-vends on (ENABLED) and off (DISABLED).
Press Select Button 2: To display the number of free-vends.
Press Select Button 3: To clear or reset the free-vend counter.

Press select buttons 1 & 2 simultaneously to move to the next item on the menu.

DST – DAYLIGHT SAVINGS TIME

This function is used to turn the "DST" option on or off.

To show current "DST" condition:

Press any select button and the display will show the current setting.

To change the "DST" condition:

Press & hold Select Button 1 to turn "DST" on. Display will show "ON".

Press & hold Select Button 2 to turn "DST" off. Display will show "OFF".

Press & hold Select Buttons 1 & 2 simultaneously to move to the next item on the menu.

DSTR – DAYLIGHT SAVINGS TIME RULES

This function is used to set the "DSTR" as it applies to American time or European time.

To show current "DSTR" condition:

Press any select button and the display will show the current settings.

To change the "DSTR" condition:

Press & hold Select Button 1 to turn "DSTR" to American rule for daylight savings time – set clock back one hour on the last Sunday of October (2:00am), set clock ahead 1 hour on the first Sunday in April (2:00am). The display will show "AMER".

Press & hold Select Button 2 to turn "DSTR" to European rule for daylight savings time – set clock back 1 hour on the last Sunday in October (1:00am), set clock ahead 1 hour on the last Sunday in March (1:00am). The display will show "EURO".

Press and hold Select Buttons 1 & 2 simultaneously to move to the next item on the menu.

SCE – SMALL COIN TYPE ENABLE (Mdb Coin Mechs Only)

This function is used in situations where an Mdb coin mech will recognize a coin which has a lesser value than tube coins and send it to the cash box. This coin is not kept in the coin tubes and the customer wants to use these coins.

Important: Under certain conditions, if one of these coins is accepted and escrow return is done, the controller may not be able to pay back the credit as displayed and that coin will be lost.

To show current "SCE" condition:

Press any select button and the display will show the current setting.

To change the "SCE" condition:

Press and hold Select Button 1 to turn "SCE" on. Display will show "ON".

Press and hold Select Button 2 to turn "SCE" off. Display will show "OFF".

Press and hold Select Buttons 1 and 2 simultaneously to move to the next item on the menu.

COIN – COIN RULES

This function is used to allow the exact change light to turn on when appropriate as related to coin tube status or to set the exact change light to never turn on which will allow bills and coins to be accepted regardless of the tube level status of the coin mech.

To show current "COIN" condition:

Press any select button and the display will show the current setting.

To change the "COIN" condition:

Press and hold Select Button 1 to turn "COIN" on. Display will show "ON".

Press and hold Select Button 2 to turn "COIN" off. Display will show "OFF".

Press and hold Select Buttons 1 and 2 simultaneously to move to the next item on the menu.

SSM – SCROLLING MESSAGE MODE

This function is used to turn on a scrolling message "ICE COLD DRINKS".

To show current "SSM" condition:

Press any select button and the display will show the current setting.

To change the "SSM" condition:

Press and hold Select Button 1 to turn "SSM" on. Display will show "ON".

Press and hold Select Button 2 to turn "SSM" off. Display will show "OFF".

Press and hold Select Buttons 1 and 2 simultaneously to move to the next item on the menu.

MV – MULTI VEND

This function, when turned on, allows credit to be retained after a vend so the customer can vend from another selection. (i.e. .50¢ vend price, put in \$1.00, push a select button and vends, 50¢ still shows on display, push a second selection button and vends). Credit is cancelled after 5 minutes of inactivity. Note: If "MV" is turned on, "COIN" will automatically turn coin rules off. There is unlimited acceptance. If a customer wants their credit (money) back, the escrow lever must be pressed. To show current "MV" condition, press any select buttons and the display will show the current setting.

To change the "MV" condition:

Press and hold Select Button 1 to turn "MV" on. Display will show "ON".

Press and hold Select Button 2 to turn "MV" off. Display will show "OFF".

Press and hold Select Buttons 1 and 2 simultaneously to move to the next item on the menu.

RTN - RETURN

This function is used to return to the User Options Menu.

Press select buttons 1 & 2 simultaneously to return to "STS".

Press select button 1 to return to "USER".

Press and hold select buttons 1 & 2 simultaneously to move to the next item on the menu.

DIAG - DIAGNOSTICS MENU

This function allows you to systematically diagnose problems related to the vender. To move to "AUTO" press select buttons 1 & 2 simultaneously, to enter sub-menu press select button 1. The following are sub-menus of Diagnostics Menu: "SE-", "SP-", "SW-", "MT-", "CM", "NA", "DSP", "VERS", "VNDR", and "RTN".

"SE-" - Select Switch Test

Press any select button, and the display will indicate the number of the select button pressed.
Press & hold select buttons 1 & 2 simultaneously to move to the next item on the menu.

"SP-" - Sold Out Paddle Test

Use this to test the sold-out switches if the vender is empty. The display will reflect any Sold Out Paddles that are pressed, indicating that a column is full. The display will automatically scroll through the columns in which the sold-out paddles are pressed.
Press & hold select buttons 1 & 2 simultaneously to move to the next item on the menu.

"SW-" - Sold Out Switch Test

Use this to test the sold-out switches if the vender is full. The display will reflect any Sold Out Switches that are pressed, indicating that the column is empty. The display will scroll through the columns that are sold out.
Press & hold select buttons 1 & 2 simultaneously to move to the next item on the menu.

"MT-1" - Motor Test

Use this test to run any motor in the stack. Use the following select buttons to run this test.
Select Button 1: Press until desired motor # to run is shown on the display.
Select Button 2: Press to run the selected motor. The display will show "TESTING" and the selected motor will run.
Press & hold select buttons 1 & 2 simultaneously to move to the next item on the menu.

"CM" - Coin Mech Test

Use this test to check coin mech programming, coin chute work, and coin mech payout systems.
Insert coins. The value of coins will be reflected on display.

Press & hold Select Button 1: Displays the Coin Mechanism setting.
"MM" - Micro Mech interface
"Lt" - L-Plus interface
"MDB" - Multi Drop Bus interface

Press & hold Select Button 2: Returns the coins inserted.
Press & hold select buttons 1 & 2 simultaneously to move to the next item on the menu.

"NA" - Note Acceptor Test

Use this test to check acceptor functions.
Insert note. The value of note will be reflected on display.

Press & hold Select Button 1: Displays the Note Acceptor setting. ("LL" - low level, "HL" - high level or "MDB" - multi-drop note acceptor)
Press & hold Select Button 2: Stacks the note and cancels the credit shown on display.
Press & hold Select Button 3: Returns the note and cancels the credit shown on display.
Press & hold select buttons 1 & 2 simultaneously to move to the next item on the menu.

"DSP" - Display Test

Press any select button and the display segments will illuminate in a scrolling manner, while blinking the exact change LED.
Press & hold select buttons 1 & 2 simultaneously to move to the next item on the menu.

"VERS" - Version of Software

Press any select button and the display will scroll the software revision level in the control box.
Example: ###.## represents the installed software revision.
Press & hold select buttons 1 & 2 simultaneously to move to the next item on the menu.

"VNDR" - Vender Identification

Press any select button and the display will show the vender type, that the software has determined, based on the select panel harness input. The vender types are:
"00" - Coke Venders
"01" - Pepsi and Generic Venders
Press & hold select buttons 1 & 2 simultaneously to move to the next item on the menu.

RTN - RETURN TO MAIN MENU

Press & hold select buttons 1 & 2 simultaneously to return to "SE-".
Press & hold select button 1 to return to "DIAG".
Press & hold select buttons 1 & 2 simultaneously to move to the next item on the menu.

AUTO - Auto Testing

This function is used in Dixie-Narco's manufacturing process and is not intended for use in the field. Its purpose is a self-test routine to check the SIID components listed. For further details contact Dixie-Narco Factory Service.

- A. Control Box
- B. Select Switch Harness
- C. Sold Out Switches
- D. Motors, Vend Switches
- E. Note Acceptors
- F. Coin Mech

The operator will manipulate switches, run motors, and insert money while the SIID control box monitors all these functions. If any errors are found, they will be logged and displayed to the operator on the display.

SIID Quick Reference Menu Prompts

Main Menu		Sub-Menu		Sub-Menu	
HD	(Historical Data)				
RD	(Resettable Data)				
S-P	(Set Price)				
C-D	(Coin Dump / Coin Fill)				
USER	(User Options)				
		STS	(Space-To-Sales)		
		TIME	(Time)		
		DATE			
		ESC	(Escrow)		
		LANG	(Language)		
		PROM	(Promotional Sales)		
		ECNT	(Electronic Counters)		
		NF	(Note Factor)		
		CR	(Change Rules)		
		BILL	(Bill Only)		
		LIM	(Limited Access)	LAOS	(Limited Access on Selection)
				LAOD	(Limited Access on Days)
				PER1	(Period 1 Start/End)
				PER2	Period 2 Start/End)
				RTN	(Return)
		SEC	(Secondary Prices)	S-P2	(Set Secondary Prices)
				PR2P	(Set Secondary Period)
				PR2D	(Set Secondary Days)
				RTN	(Return)
		ACD	(Set ACD Audit Box)		
		FREE	(Free Vend Enable -5,-6,-7, & -8 selects)		
		DST	(Daylight Savings Time)		
		DSTR	(Daylight Savings Time Rules)		
		SCE	(Small Coin Enable)		
		COIN	(Coin Rules)		
		SSM	(Scrolling Message Mode)		
		MV	(Multi Vend)		
		RTN	(Return)		
DIAG	(Diagnostics)	SE-	(Select Switch Test)		
		SP-	(Sold-Out Paddle Test)		
		SW-	(Sold-Out Switch Test)		
		MT-	(Motor Test)		
		CM	(Coin Mech Test)		

	NA DSP VERS VNDR RTN	(Note Acceptor Test) (Display Test) (Software Version) (Vender Identification) (Return)	
AUTO	(Auto Testing)		

- A. Press & hold buttons 1 & 2 simultaneously to move through the menu from top to bottom.
- B. Press select button 1 to move left or right in the menu, depending on the menu prompt on the display.

ELECTRICAL PARTS AND FUNCTIONS

CORRECT CHANGE LAMP

Correct Change Lamp

The Correct Change Lamp is mounted in the Coin Insert Casting.

The Correct Change Lamp is controlled by the SIID Controller board and is "OFF" when coins are in the tubes of the Coin Changer.

SELECT SWITCH

Select Switch

The Select Switch is located in the Select Panel behind the Select Button and is secured with two (2) screws.

The normally closed contact of the Select Switch is in the SIID Control Board and Vend Motor Coil Circuits. This normally closed contact opens and the SIID Control Board Circuit completes the Vend Motor Coil circuit.

The normally open contact of the Select Switch has no function.

SOLD OUT SWITCHES

The Sold Out Switch is located on the Front Mechanism Plate under the Vend Motor Cover.

The Sold Out Switch is the "snap in" type. To install, place the switch in position over the opening in the Front Mechanism Plate, push in and at the same time, slide to the right.

Vend Sold Out Switch

The normally closed contact of the Sold Out Switch has no function. The normally open contact of the Sold Out Switch is in the Sold Out Circuit (kept open by a can or bottle). When not kept open by a can or bottle, the normally open contact closes and completes the Sold Out Message Circuit via the SIID Controller Board.

VEND MOTOR

The Vend Motor (one for each vending stack) is mounted on a bracket at the front of the Front Mechanism Plate.

The Vend Motor is in the Vend Motor Coil Circuit. The Vend Motor runs when a normally closed contact of the Select Switch pushed, opens and signals the SIID Controller Board to run the Motor.

The Vend Motor continues to run via the SIID Controller Board while the Vend Motor Switch is on high side of Cam. The Vend Motor stops when the Vend Motor Switch Arm drops off the high side of the Vend Motor Cam, and the normally closed contact of the Vend Motor Switch closes signaling the SIID Controller Board to stop power to the Vend Motor Coil Circuit.

VEND MOTOR SWITCH

All Columns

A. VEND MOTOR SWITCH

The **Vend Motor Switch**, one (1) for each circuit, is located on the Vend Motor Assembly and secured by two (2) screws.

The normally closed contact of the Vend Motor Switch is in the Vend Motor Coil Circuit. This normally closed contact opens in the Vend Motor Coil Circuit to keep the Vend Motor running, via the SIID Controller Board, until the Arm of the Vend Motor Switch drops in the Cam notch and the Vend Motor stops.

The normally open contact of the Vend Motor Switch has no function.

VEND MOTOR WIDE COLUMN

Mounted on the Vender with the Vend Switch on the left side (See Fig. 3). The Linkage and Drive Arm assembly is used to connect the Vend Motor to the Oscillator. (See Fig. 4)

Vend Motor Switch
804,100,730.01

Nyliner (Rear Stack)
801,803,170.01

Oscillator Assembly
491,070,900.03 - 1¼"

Nyliner (Front Stack)
901,804,230.01

497,071,000.03 - T-Models

Sold Out Spring
#901,700,740.01

Sold-Out Switch Assy. Snap In
#804,100,750.01
(Insulator and Switch are one piece)

Sold-Out Paddle
Wide and Narrow
#432,070,190.13

VEND MOTOR NARROW COLUMN

Mounted on the Vender with the Vend Motor Switch on the underside (See Fig. 1). The shaft of the Vend Motor slides into a slot in the Vend Rotor (See Fig. 2).

Vend Motor Switch
#804,100,730.01

Vend Rotor
#801,201,211.61 - 1¼"
#801,201,220.01 - T Models, Wide
#801,201,230.01 - T Models, Narrow

PRODUCT SHIMMING

Refer to the appropriate technical bulletin for proper set-up and vending procedures. Listed are a few of the more widely used Technical Bulletins relating to shimming.

Fig. 2

TB 450 Miscellaneous Worldwide Can Shimming, Shimless Stack Series 90

TB 451 Miscellaneous Worldwide Plastic Bottle Shimming, T-Models

TB 452 Miscellaneous Worldwide Non-Returnable Bottle Shimming, T-Models

TB 453 Miscellaneous Worldwide Plastic Bottle Shimming, Shimless Stack Series 90

TB 454 Miscellaneous Worldwide Non-Returnable Bottle Shimming, Shimless Stack Series 90

TB 455 Miscellaneous Worldwide Can Shimming, T-Models

TB 456 Miscellaneous Worldwide Returnable Bottle Shimming, Shimless Stack Series 90

TB 457 Miscellaneous Worldwide Returnable Bottle Shimming, Wide Stack Series 90

TB 473 Miscellaneous Worldwide Non-Returnable Bottle Shimming, Wide Stack Series 90

TB 474 Miscellaneous Worldwide Plastic Bottle Shimming, Wide Stack Series 90

TB 475 Miscellaneous Worldwide Can Shimming, Wide Stack Series 90

TB 476 Miscellaneous Worldwide Returnable Bottle Shimming, T-Models

For shimming of venders or products not listed in the above Technical Bulletins, call the Dixie-Narco Service Department or contact your Dixie-Narco Representative.

CAMS FOR VEND MOTORS

1. Adjustable Cam For:

- a. DNCB 1¼" deeper wide column.
- b. DNCB T-models single, double, or triple depth wide column.
- c. Color of Cam is Gold.
- d. Part #801,806,400.11

2. Vending Cam For:

- a. DNCB 1¼" deeper single double depth wide column.
- b. DNCB T-models single depth wide column.
- c. Color of Cam is Blue.
- d. Part #801,806,390.41

3. Vending Cam For:

- a. DNCB T-models double or triple depth wide column.
- b. Color of Cam is Green.
- c. Part #801,806,410.41

4. Adjustable Cam For:

- a. DNCB 1¼" deeper narrow column.
- b. DNCB T-models single, double, or triple depth narrow column.
- c. Color of Cam is Brown.
- d. Part #801,806,610.21

5. Vending Cam For:

- a. DNCB 1¼" deeper narrow column.
- b. DNCB T-models single, double, or triple depth narrow column.
- c. Color of Cam is Brown.
- d. Part #801,806,180.21

CAM INSTALLATION AND REMOVAL

TO INSTALL A VENDING CAM:

1. Select the Vending Cam required (See page 39).
2. Locate the Hub at the center of the Cam (See Fig. 6).
3. With the Hub facing you, slowly slide the Cam on the front shaft of the Vend Motor while depressing the Lock Tab. (See fig. 6).
NOTE: Reference below for timing of the Motors.
4. A distinct click will be heard, when the tab has locked into the locator hole of the motor shaft.

CAUTION: Depress the Switch Arm when installing the Cam to prevent possible damage to the Switch Arm.

TO INSTALL AN ADJUSTABLE CAM:

1. Select the Adjustable Cam required. (See page 39).
2. Locate the Lift Tab on the outer edge of the Cam. (See fig. 5).
3. With the Lift Tab facing you, align the slot of the Adjustable Cam with the Locking Tab of the Vending Cam.
4. Place the Adjustable Cam on the Vending Cam.

CAUTION: Depress the Switch Arm when installing the Cam to prevent possible damage to the Switch Arm.

5. Lift the Lock Tab of the Vending Cam, at the same time lift the Lift Tab of the Adjustable Cam and rotate the Adjustable Cam clockwise to the desired setting.

TO REMOVE AN ADJUSTABLE CAM:

1. Lift the Lift Tab and rotate the Adjustable Cam clockwise until the Vending Cam Lock Tab is aligned with the slot of the Adjustable Cam.
2. Remove the Adjustable Cam from the shaft of the Motor.

TO REMOVE THE VENDING CAM:

1. Depress (push in) the Lock Tab firmly to disengage it from the Motor shaft.
2. At the same time pull the Vending Cam towards you until it is removed from the Motor shaft.

TIMING

TO SET THE TIMING OF A NARROW COLUMN VEND MOTOR:

1. Make sure the hole through the rear shaft is in a horizontal plane. (If a pin were inserted in the hole, the pin would be horizontal.) See Fig. 8.

2. The Vend Rotor must be in the loading position when the Motor shaft is inserted in the end of the Rotor. See Fig. 8.
3. Insert the Motor shaft in the Rotor and secure the Motor.
4. Install the Vending Cam on the front shaft of the Motor making sure the Lock Tab is at the 9 o'clock position. See Fig 7.
5. Install the Adjustable Cam per the instructions given on the previous page.

TO SET THE TIMING OF A WIDE COLUMN VEND MOTOR.

1. Make sure the hole through the rear shaft is in a horizontal plane. (If a pin were inserted in the hole, the pin would be horizontal). See Fig. 10.
2. Slide the Drive Arm (with linkage attached) on the rear shaft as shown. See Fig. 10.
3. Secure by installing the Groove Pin.
4. With the Oscillator in position, align the hole in the Linkage Arm with the pin of the Oscillator.
5. Slide the Linkage on the pin.
6. Install the Vending Cam on the front shaft of the Motor making sure that the Lock Tab is at 6 o'clock as shown. See Fig. 11.

NOTE: When the screw holding the Linkage Arm to the Drive Arm is at the 12 o'clock position (See Fig. 10), the Lock Tab will be at the 6 o'clock position (See Fig. 11).

7. Install the Adjustable Cam per the instructions on page 40.

REAR SPACER

The Rear Spacer, one for each column, is located vertically at the rear of the column. The latch fingers or springs, adjustable by hand, slide into the holes in the column wall for cans and other package settings.

Note: Rear Spacers with Springs are not shown.

See Fig. 13, the Latch Fingers are in the open position with the Lock Tabs disengaged.

See Fig. 14, the Latch Fingers are in the closed position with the Lock Tabs engaged. Make sure the tabs are in a locked position as shown, before loading the Vender.

FOR REFERENCE ONLY

Rear Spacer adjustment holes located in the sidewalls of the stacks.

CLEANING THE VENDER

DO NOT USE A WATER JET OR NOZZLE TO CLEAN THE VENDER.

WHAT TO CLEAN

SIGN FACE

The polycarbonate sign face requires proper cleaning to prolong the service life of this item. It is recommended that you periodically clean the sign face as follows:

1. Rinse the sign with a soft cloth or sponge soaked in warm water.

2. If necessary, use a mild soap to loosen any dirt or grime. To prevent damage, DO NOT SCRUB or use a brush or squeegee, as some signs have a clear ultraviolet resistant coating to prevent yellowing.
3. Repeat the above steps as necessary, then dry using a soft cloth to prevent spotting.

CABINET

1. Wash the cabinet with a good detergent or soap mixed in warm water.
2. Wax the vender often with a good grade of automobile wax.
3. Any corrosion inside the vender should be removed with fine steel wool and the area should be painted with aluminum paint.
4. Repair any scratches on painted surfaces to prevent corrosion.

WARNING: THE COMPRESSOR ELECTRICAL CIRCUIT IS ALWAYS LIVE WHEN THE PLUG IS CONNECTED TO AN ELECTRICAL OUTLET.



REFRIGERATION CONDENSER

1. Check the condenser periodically for dirt or lint build up.
2. Remove the build up with a brush or vacuum, or blow the dirt out of the condenser with compressed air and approved safety nozzle.
3. Ensure nothing obstructs air intake at the bottom of the main door.
4. Ensure nothing obstructs air exhaust at the rear of the cabinet.

COIN ACCEPTOR

Follow the Coin Acceptor Manufacturer's instructions.

LUBRICATING THE VENDER

The vender refrigeration system does not require any field lubrication. The hermetic refrigeration system and fan motors are manufactured with lifetime lubrication.

Temperature Control Adjustments

Adjustment #1 - Temperature Adjustment

Turn the adjustment clockwise for colder product and counter-clockwise for warmer product. This will change the cut-out temperature only, the cut-in temperature remains constant.

Adjustment #2 - Altitude Adjustment

WARNING:
DISCONNECT POWER TO THE VENDING MACHINE BEFORE PROCEEDING
WITH THIS ADJUSTMENT.

The control is factory set for an altitude of 152 M (500 ft.). For higher altitudes, adjust the inside range screws to prevent freeze-up of the product. Adjust the inside range screws as follows.

SIID VENDING

1. Problem: Free vend on one column.
 Troubleshooting:
 - A) Check selection price.
 - B) Check for bad connections or broken, backed out, or crossed wires from vend motor to control board.
 - C) Check for sticking select button.
 - D) Check control board.

2. Problem: One motor continues to home with door closed, shows "COLJ" when "ErOr" routine is entered.
 Troubleshooting:
 - A) If using Mars Validator, ensure correct interface harness is used.
 - B) Check for bad connections or broken, backed out, or crossed wires from vend motor to control board. (Note: Check wires on left side of vend motor cover.)
 - C) Check vend switch.

- D) Check control board.
3. Problem: One column sold out, but still vends.
 Troubleshooting: A) Check sold-out switch.
 B) Check for bad connections or broken, backed out, or crossed wires from sold-out switch to control board. (Note: Check wires on left side of vend motor cover.)
4. Problem: Vender will not sequence (Coca-Cola only).
 Troubleshooting: A) Ensure wire #24 is in select panel harness and is in correct pin location.
 B) Check for bad connection or broken wire #24 in select panel harness.
 C) Make sure wire #24 is in correct location.
 D) Check control board.
5. Problem: Free vend on one or more columns.
 Troubleshooting: A) Check secondary pricing program.
 B) Check for bad connections or broken, backed out, or crossed wires from vend motor to control board.
 C) Check for sticking select button.
 D) Check for bad vend motor switch.
 E) Check control board.
6. Problem: Column Jackpots.
 Troubleshooting: A) Check problem column(s) in motor test.
 B) Check motor for:
 1. Syrup on brake.
 2. Locate/check brake spring.
 3. Check motor switch.
 C) Check wiring from/to motor switch of problem column.
 D) Check wiring at mate-n-lock on cabinet harness and cabinet extension harness.
 E) Check motor.
 F) Check control board.
7. Problem: Column will not vend.
 Troubleshooting: A) Go to diagnostics and test.
 B) Check for bad connection or broken, backed out, or crossed wires.
 (Also check ballast wires.)
8. Problem: Motor stops on high cam.
 Troubleshooting: A) Change vend switch.
 B) Install current software.
 -5 or 380.11 or greater two-button programming.
 -3.16 or 390.11 or greater four button programming.

SIID VENDING

9. Problem: No motors work.
 Troubleshooting: A) Check F2 motor power fuse (6 Amp).
 B) Check lamp and lamp wiring for broken, backed out, or crossed wires.
 C) Check ballast and ballast wiring for broken, backed out, or crossed wires.
10. Problem: F2 motor power fuse continuously blows.
 Troubleshooting: A) Check if 6 Amp fuse is used.
 B) Check that capacitor instead of MOV used at CR1 location.
 C) Check ohms of each motor in off state
 - unplug wires to coil of motor.
 - ohms should be 6.5, if less coil of motor has a short.
 D) Check motor harness.
 E) Check motor extension harness.
 F) Check for bad bulb in lighting system.

SIID COIN / CURRENCY

1. Problem: Will not accept coins or bills.
Troubleshooting:
 - A) Check coin return lever is not pressed.
 - B) Check F3 peripheral (1.0 Amp) fuse.
 - C) Go to diagnostics and test.
 1. Will not take coins, replace coin mech.
 2. Still will not take coins, check connections and mech harness.
 - D) Check for bad connections or broken, backed out, or crossed wires from validator/changer to control board.
 - E) With Mars 6510 Mdb mechs, serialized 176xxxxxxx that do not have a red dot on the coin mech, check the coin mech.
 - F) Check control board.

2. Problem: Validator sometimes sets up credit and then steals bill.
Troubleshooting:
 - A) Check for proper interface harness.
 - B) Check for bad connections or broken, backed out, or crossed wires from vend/sold-out harness.
 - C) Check validator.
 - D) Check control board.

3. Problem: Accepts coins and displays, but will not vend.
Troubleshooting:
 - A) Check coin mech.
 - B) Check for bad connections or broken, backed out, or crossed wires from validator/changer to control board.
 - C) Check voltage supply (110-115AC) at outlet.
 - D) Check control board.

4. Problem: Incorrect change paid back, use correct change lamp stays on.
Troubleshooting:
 - A) Check control board.

5. Problem: Cannot dump coins when in "CPO" mode.
Troubleshooting:
 - A) Check for bad connections or broken, backed out, or crossed wires from changer to control board.
 - B) Check select switches and wiring.
 - C) Check coin mech.
 - D) Ensure you are not using Mars International Executive or NRI Simplex changers.
 - E) Check voltage supply (110-115AC) at outlet.
 - F) Check control board.

6. Problem: BA30 stealing bills.
Troubleshooting:
 - A) Check door switch.
 - B) Check validator.
 - C) Check interface harness.

7. Problem: Want to install a debit card system.
Troubleshooting:
 - A) Need to contact card system supplier for details.

8. Problem: \$1 and \$5 Bill Acceptance (Black label box 2 button programming)
Troubleshooting:
 - A) Works with
 1. BA-30
 2. VFM-3 Low Level
 3. DBA -2 or 3

9. Problem: \$1 and \$5 Bill Acceptance (Red label box 4 button programming)
Troubleshooting:
 - A) Works with
 1. BA-30 Mdb
 2. Mars VN 2500 Series Mdb

SIID COIN / CURRENCY

10. Problem: Install bill, unplug vender, plug in vender, gives \$1 credit and bill back.
Troubleshooting: A) Set Escrow to "Pr" or "ES-4"
B) Install current software.
-5 or 380.11 or greater two-button programming.
-3.16 or 390.11 or greater four-button programming.
11. Problem: Install Debitex card, unplug vender, plug in vender, jackpots changer.
Troubleshooting: A) Install current software (Eprom).
-5 or 380.11 or greater two-button programming.
-3.16 or 390.11 or greater four-button programming.
12. Problem: After a few vends, the Mars 6510 Mdb disables itself (i.e. stops taking coins).
Troubleshooting: A) Install current software (Eprom)
- 804,911,380.41 or greater two-button programming.
- 804,911,390.21 or greater four-button programming.
13. Problem: New 4-tube changer will not pay out dollar coin.
Troubleshooting: A) Install current software (Eprom).
- 380.51 or greater two-button programming.
- 390.11 or greater four-button programming.
14. Problem: Software does not work with free vend note token in BA30.
Troubleshooting: A) Install current software.
- 380.51A or greater two-button programming.
- 390.31 or greater four-button programming.
15. Problem: Coinco 9302GX changer dispenses all nickels first, then correct change lights come on (sample price this occurs .60¢).
Troubleshooting: A) Load the nickels in coin fill (CD) mode. Note: This is a Coinco 9302GX problem.

SIID SOLD-OUT MESSAGE

1. Problem: Sold-out message stays on.
Troubleshooting: A) Check limited access program.
B) Check for crossed wires in cabinet harness and cabinet extension harness or loose wire harness connection.
C) Check for motors rubbing motor cover (on early SIID venders).
2. Problem: Sold-out message comes on with product in column.
Troubleshooting: A) Check programming and ensure limited access is not on.
B) Check for bad connections or broken, backed out, or crossed wires from select switch to control board.
(Note: Check wires on left side of motor cover.)
C) Check for motor rubbing motor cover (on early SIID venders).
3. Problem: Sold-out switches work the incorrect column.
Troubleshooting: A) Ensure correct cabinet harness and select harness are being used.
B) Check for crossed wires in cabinet harness or cabinet extension harness.

SIID SELECT PANEL / DISPLAY

1. Problem: Plug in vender and displays a blank or "rrrr" appears on the display; vender will not function.
Troubleshooting: A) Press a select button to change message on display; this should clear "RRRR"s.
B) Remove power to vender for one minute, then power vender back up.
C) Check main power plug for loose connection.
D) Check for bad connections or broken wires from display to control board.
E) Check display board.

- F) Check control board.
2. Problem: Display will not function.
 Troubleshooting: A) Check for bad connections or broken wires from display to control board.
 B) Check F1 motor power fuse (1.6 Amp).
 C) Check display board.
 D) Check transformer.
 E) Check control board.
3. Problem: Display shows \$1 and then increases in dollar increments.
 Troubleshooting: A) Check coin mech.
 B) Check validator.
 C) Check control board.
4. Problem: Cannot set price on a given selection.
 Troubleshooting: A) Check configuration 1 is set to C1 1 (multi-pricing).
 B) Check for bad connections or broken wires from select switch to control board.
 C) Check select switches.
 D) Check control board.
5. Problem: Vender changes a set vend price to .10¢ on selections on its own. (domestic only - .10¢ could be any given price.)
 Troubleshooting: A) Check secondary pricing program.
 B) Check for bad connections or broken wires from select switch to control board.
 C) Check control board. (Possible cold solder joints.)
6. Problem: Control board loses its memory when power is shut off to vender.
 Troubleshooting: A) Check battery (see problem 16 on next page).
 B) Check control board.
7. Problem: Space to sales does not work properly when adding and deleting columns.
 Troubleshooting: A) Check for bad connections or broken wires from select switch to control board.
 B) Check control board.
8. Problem: F2 motor power fuse (6 Amp) blows when a given motor runs.
 Troubleshooting: A) Check motor for short.
 B) Check motor switch and motor wires for short.
 C) Check motor.
 D) Check the ballast, lamps, and lamp harnessing for broken, backed out, or crossed wires.
9. Problem: Board power fuse blows when supplying power.
 Troubleshooting: A) Check changer and interface harness.
 B) Check validator and interface harness.
10. Problem: Flashing decimal point.
 Troubleshooting: A) Go to diagnostics.
 - All columns shown to be jammed.
 - Check 6 Amp motor fuse (F2).
 - Select problem.
 - Enable problem (check board).
 - Pb problem (check board).

SIID SELECT PANEL / DISPLAY

11. Problem: Plug in vender and "1-1-1-1" scrolls across display.
 Troubleshooting: A) Remove power to vender for one minute, then power vender back up.
 B) Check for bad connections or broken, backed out, or crossed wires in select panel harness.
 C) Check top of door weld assembly for seal.
 D) Check control board.

12. Problem: Display shows "LOC".
 Troubleshooting: A) Can only be accessed via DEX or hand-held.
 B) Check control board.
13. Problem: Will not show vend price on display.
 Troubleshooting: A) All vend prices on primary price have to be the same price, and all prices on secondary price have to be the same price.
14. Problem: When programming, the display takes 30 to 45 seconds to go from one program to another.
 Troubleshooting: A) Unplug the coin mech and then program the SIID control box.
15. Problem: Display goes blank when you press a given select button.
 Troubleshooting: A) Check for bad vend motor on selection pressed. (Wire broken at coil or possible spade pulled out)
16. Problem: Set price, unplug vender, plug in vender and price changes to 99.95.
 Troubleshooting: A) Check battery. Follow steps to check.
 1. Unplug vender.
 2. On Ardac boards, locate component LH5168D-10L at U6 on board.
 On DeAmertek boards, locate component LH5168D-10L at U2 on board.
 3. Set volt meter to test DC voltage.
 4. Put one test lead on pin 14.
 5. Put other test lead on pin 28.
 6. Volt meter should read minimum 2 VDC.
 7. If bad battery (under 2 VDC), replace the board.
17. Problem: All segments stay illuminated on display.
 Troubleshooting: A) Toggle to proper setting (14 segment versus 7 segment).
 B) Connector harness loose at display board.
 C) Check for bad connection or broken, backed out, or crossed wires in display harness.
18. Problem: Plug in vender and "1-1-1-1" scrolls across the display. Press the service switch and "EN#" is displayed.
 Troubleshooting: A) Check control board.

REFRIGERATION PARTS AND FUNCTIONS

- MECHANICAL PARTS -

COMPRESSOR MOTOR

The compressor motor (sealed in the compressor housing) drives the compressor with a shaft that is shared by both parts. It is started by the temperature control switch and the starting relay. It is stopped by the temperature control switch, and, if it gets overloaded, by the thermal overload switch.

COMPRESSOR

The compressor (sealed in the compressor housing) draws cold, low pressure refrigerant gas from the evaporator and pumps hot, high pressure refrigerant gas out to the condenser.

CONDENSER

The condenser, located in the base of the vender, at the front, takes heat out of the hot, high pressure gas that comes from the compressor. The gas loses heat as it goes through the condenser coils, and changes into a liquid because it is still under pressure.

CONDENSER FAN

The condenser fan (between the condenser and the compressor motor), first draws air from the outside of the vender through the condenser. This air takes heat from the condenser first and then is blown over the

compressor housing from which it also takes heat before going back outside of the vender. The condenser fan runs when the compressor motor runs.

FILTER/DRYER

The filter/dryer is in the liquid line between the condenser and the capillary tube. This dryer filters out any foreign particulate matter and also contains a desiccant to absorb any moisture that may be present in the system.

CAPILLARY TUBE

The capillary tube (between the condenser and the evaporator in the refrigerant line) has a very small inside diameter, and serves to control the refrigerant flow from the condenser into the evaporator.

EVAPORATOR

The evaporator (in the vender cabinet) takes heat from the air in the vender cabinet and gives this heat to the liquid refrigerant. The liquid refrigerant is evaporated (boiled off) as a gas, and the gas is drawn out by the compressor.

EVAPORATOR FAN

The evaporator fan draws warm air from around the cans or bottles in the cooling compartment and blows it across the evaporator. As the air goes across the evaporator, it gives up heat to the evaporator, then goes back to the cans or bottles, and takes heat from them. This fan runs continuously when the vender is plugged in.

CONDENSATE PAN

The condensate pan (located in the compressor compartment) collects the water which runs from the evaporator. The water is evaporated into the surrounding air by means of soakers. The soakers extend down into the pan to absorb the water. Exposure to the surrounding air evaporates the water in the soakers.

- ELECTRICAL PARTS -

TEMPERATURE CONTROL

The temperature control is the part that is made up of a control bulb connected by a small metal tube to a bellows. The control bulb is in a slot in the evaporator fan housing. The bellows and a switch known as the temperature control switch, are in the temperature control box which is fastened to the right side inside the vender.

The control bulb and the bellows have a vapor in them. When the temperature of the vapor in the bulb rises, it builds up pressure in the bellows tube. This pushes the bellows out. When the control bulb is cool, the vapor shrinks back, and the bellows pulls in. These movements, of the bellows, work the switch - called the temperature control switch - closing it when the bulb is heated and opening it when the bulb is cooled.

The contacts of the temperature control switch are in the compressor motor's running and starting circuits. They are also in the condenser fan motor circuit.

When the cabinet temperature gets up to the cut-in setting, the temperature control switch closes in the compressor motor's starting and running circuits and in the condenser fan circuit. When the cabinet temperature gets down to the cut-out setting, the temperature control switch opens in these circuits.

CAUTION: To adjust the temperature control see page 44.

THERMAL OVERLOAD ASSEMBLY

The thermal overload is a temperature activated switch that interrupts power to the compressor when excessive temperatures occur. This switch protects the compressor from the damage that will occur if the compressor continues to operate under adverse conditions. The overload also opens under abnormally high amp draws, protecting the motor windings from damage. Frequent overload trips may lead to warm product and be the first indication of a dirty condenser or other refrigeration related problems that require attention.

STARTING RELAY

The starting relay is a device that connects the start winding of the compressor during start up. The additional winding (start) helps the compressor motor come up to speed. Once it reaches speed the starting relay disconnects the start winding from the circuit.

GLOSSARY

1. **DEX** Direct Exchange of Data

2. **"Dixie Bus"** Dixie-Narco Serial Communication Specification to allow Dixie-Narco to add extra features without affecting current vender designs.

3. **IR** Infrared

4. **LCD** Liquid Crystal Diodes

5. **LED** Light Emitting Diodes

6. **MDB** Multi-Drop Bus Coca-Cola Serial Communication Specifications. Used in all Dixie SIID can venders.

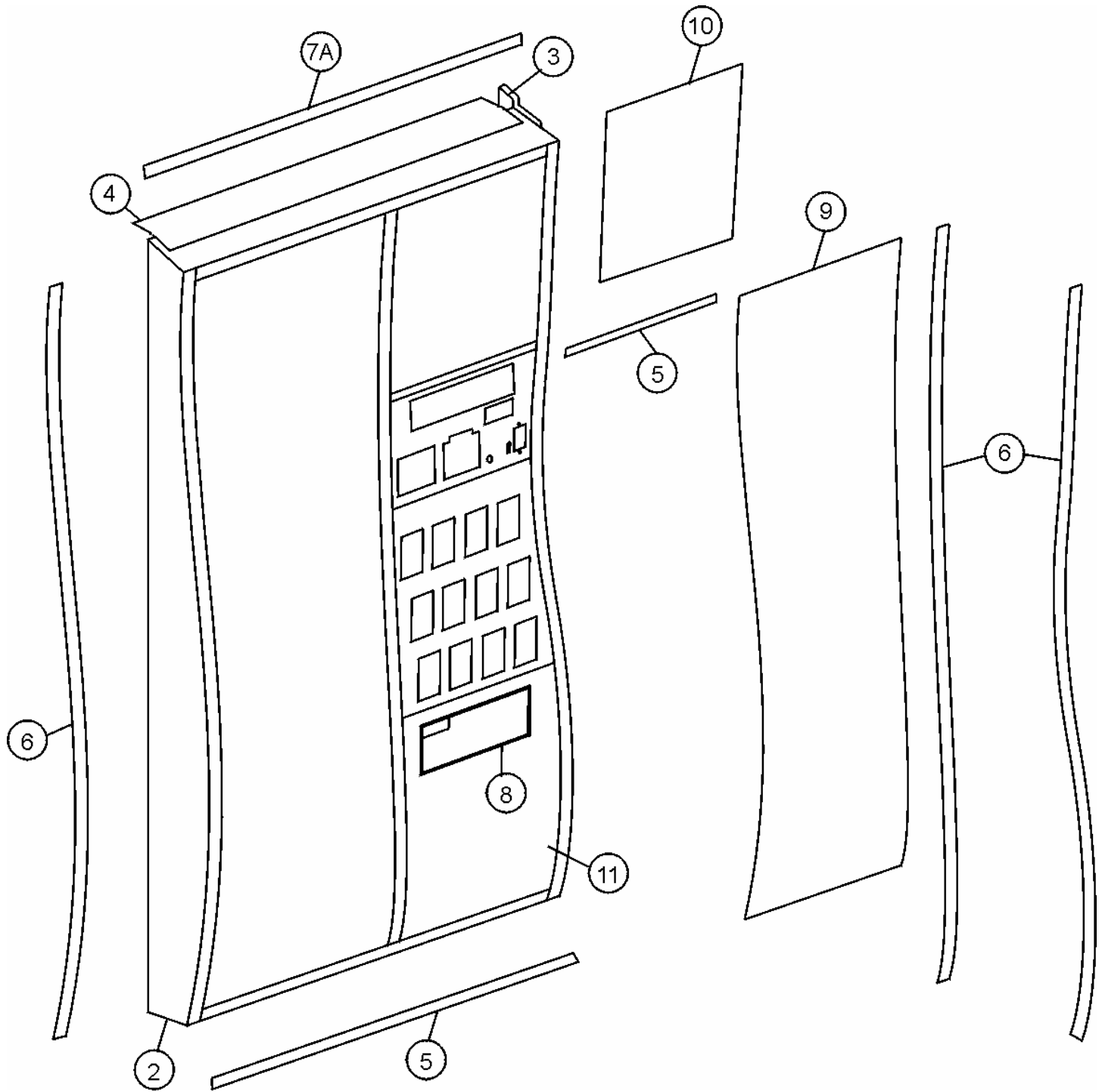
7. **NAMA** National Automatic Merchandising Association

8. **UCS** Uniform Communications Standards

9. **UCC** Uniform Code Council

TABLE OF CONTENTS

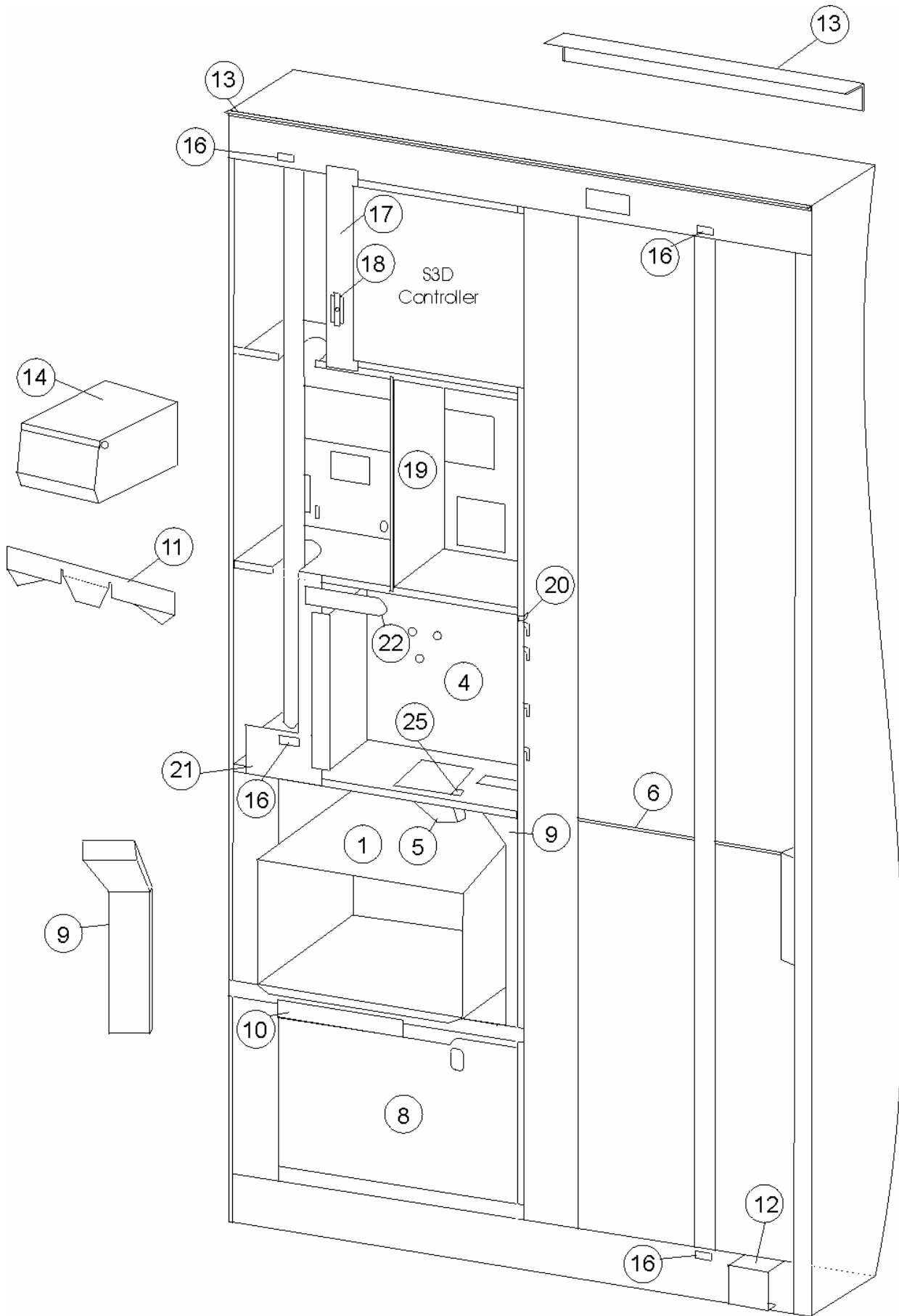
Main Door Exterior	Page 4
Main Door Interior	Page 7
Pull Out Handle & Coin Insert	Page 10
Select Panel / Coin Insert Panel.....	Page 12
Lighting	Page 15
Wiring Harness	Page 16
Inner Door	Page 18
Two-Bar Linkage / Nut Retainer Housing	Page 20
Hinges and Roller Assy.	Page 21
Cabinet Interior	Pages 24
Cabinet and Vend Mechanism.....	Pages 27
Refrigeration System	Pages 31
Electronic Components	Page 35
Screws and Nuts	Page 38
Washers, Bolts, & Miscellaneous Hardware	Pages 40



MAIN DOOR EXTERIOR

ITEM #	DESCRIPTION	PART NUMBER
1	Coke Marketing Machine, Door Assy.	
	72" Wide -13 S3D	624,053,30x.x3
	72" Narrow -13 S3D	624,053,50x.x3
	79" Wide -13 S3D	624,053,00x.x3
	72" Wide -9 S2D	624,053,20x.x3
	72" Narrow -9 S2D	624,053,40x.x3
	79" Wide -9 S2D	624,053,10x.x3
2	Coke Marketing Machine, Door Weld Assy.	
	72" Wide	624,050,10x.x3
	72" Narrow	624,050,20x.x3
	79" Wide	624,050,00x.x3
3	Protective Plate Door	
	72" Wide / Narrow	165,150,33x.x3
	79"	164,150,33x.x3
4	Rain Guard	
	72" and 79" Wide	164,151,14x.x3
	72" Narrow	169,050,34x.x3
5	Horizontal Trim	
	Bottom, Wide	801,810,65x.x1
	Bottom, Narrow	801,810,65x.x1
	Control Panel, Wide	801,810,65x.x1
	Control Panel, Narrow	801,810,65x.x1
6	Vertical Trim	
	Left and Right	801,810,63x.x1
	Center	801,810,64x.x1
7A	Hinged Top Sign Trim Assy.	
	72W, 72N, 79W	801,810,66x.x1
7B	Top Sign Trim Locking Bar	
		801,810,86x.x1
7C	Assy., Bracket Sign Trim Cap	
		624,052,20x.x3
8	W/A Port Trim Spacer	
		624,052,40x.x3
8A	Port Trim	
		805,700,95x.x1
8B	Port Spacer	
		805,700,67x.x1
9	Sign (Full Length)	
	72" Wide Bottle Domestic	805,025,06x.x1
	72" Narrow Bottle Domestic	805,025,07x.x1
	79" Wide Bottle Domestic	805,025,05x.x1
	72" Wide Can Domestic	805,025,44x.x1
	72" Narrow Can Domestic	805,025,45x.x1
	79" Wide Can Domestic	805,025,43x.x1
	72" Narrow Can Export	805,026,52x.x1
	72" Narrow Bottle Export	805,026,53x.x1

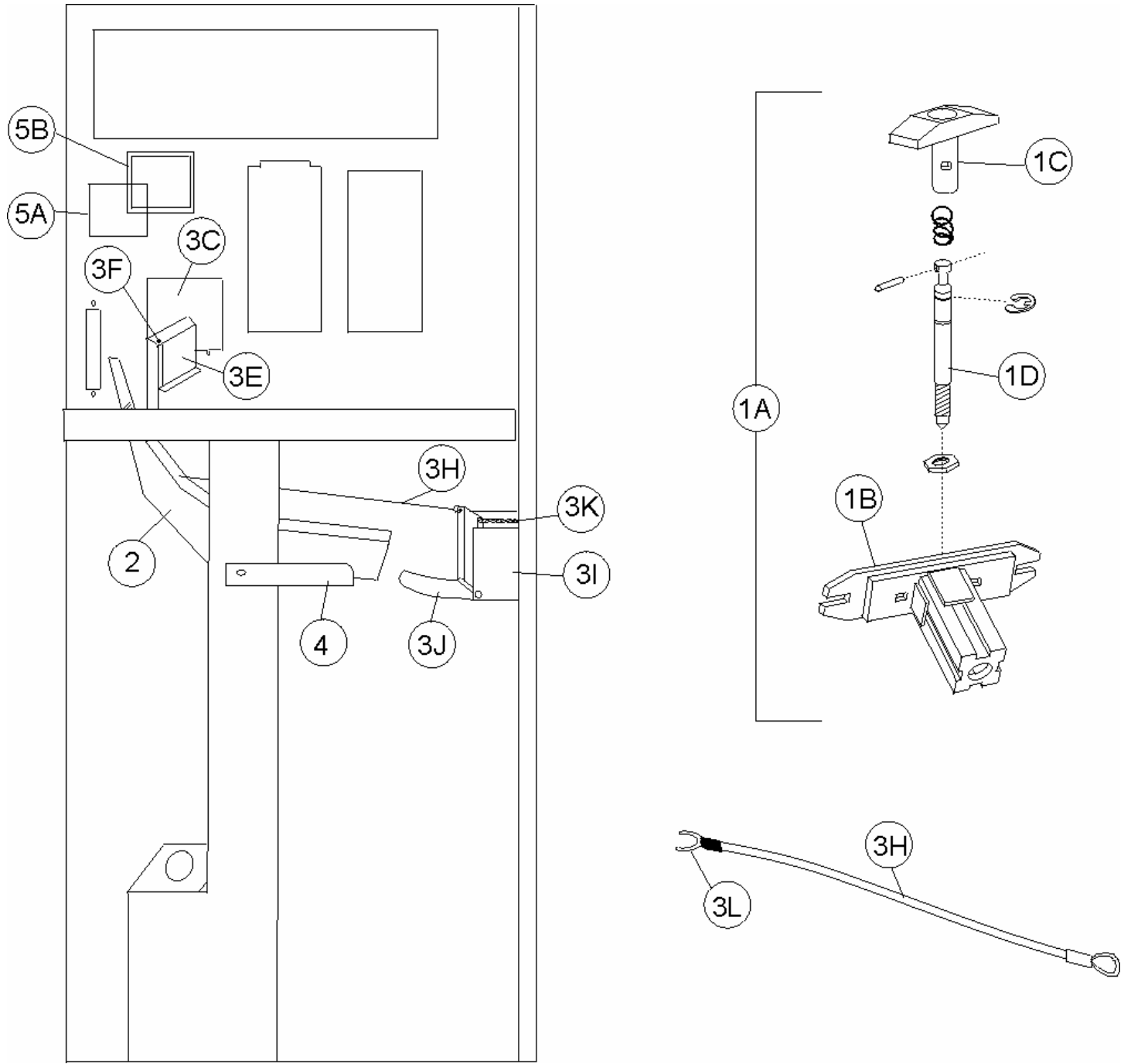
ITEM #	DESCRIPTION	PART NUMBER
10	Advertise Window	
	72" Wide and 72" Narrow	805,025,32x.x1
	79" Wide	805,025,31x.x1
11	Port Panel	
	Wide / Narrow	624,050,53x.x3
12	Hinges, Main Door	
	Assy, Top	624,052,90x.x3
	Assy, Bottom	801,305,13x.x1
13	Advertise Window Card	
		803,853,88x.x1
14	Decal, Port Panel	
	72W	803,854,42x.x1
15	Decals	
	Right Side Door 72"	803,853,89x.x1
	Right Side Door 79"	803,853,92x.x1
	Left Side Door 72"	803,853,91x.x1
	Left Side Door 79"	803,853,93x.x1
	Vandal Panel Door 72"	803,853,94x.x1
	Vandal Panel Door 79"	803,853,95x.x1
	Protective Plate Left Side Cabinet 72"	803,853,96x.x1
	Protective Plate Left Side Cabinet 79"	803,853,97x.x1
	Protective Plate Right Side Cabinet 72"	803,853,98x.x1
	Protective Plate Right Side Cabinet 79"	803,853,99x.x1
A4	Screw, Phil Pan w/out Washer #8-18x $\frac{1}{2}$ "	900,301,50x.x1
B2	Keps Nut $\frac{1}{4}$ -20	900,800,67x.x1
B3	Keps Nut #8-32	900,800,50x.x1
B7	Elastic Stop Nut #8-32	900,800,51x.x1
B10	Hex Nut, Center w/ Flange $\frac{5}{16}$ -18 (top hinge - drop in)	900,801,02x.x1
D2	T-Bolt #8-32x1 $\frac{3}{8}$ "	900,400,41x.x1
D3	T-Bolt #8-32x $\frac{3}{4}$ "	900,400,35x.x1
D4	T-Bolt #8-32x $\frac{1}{2}$ "	900,400,45x.x1
E4	Carriage Bolt $\frac{1}{4}$ -20x $\frac{1}{2}$ "	900,201,45x.x1
E8	Carriage Bolt $\frac{5}{16}$ -18x1- $\frac{1}{4}$ (top hinge - drop in)	900,201,85x.x1
F5	Pop Rivet, Steel (Zinc Plated) $\frac{1}{8}$ "	901,100,61x.x1
H1	Christmas Tree Clip, #354280307-00	900,902,13x.x1



MAIN DOOR INTERIOR

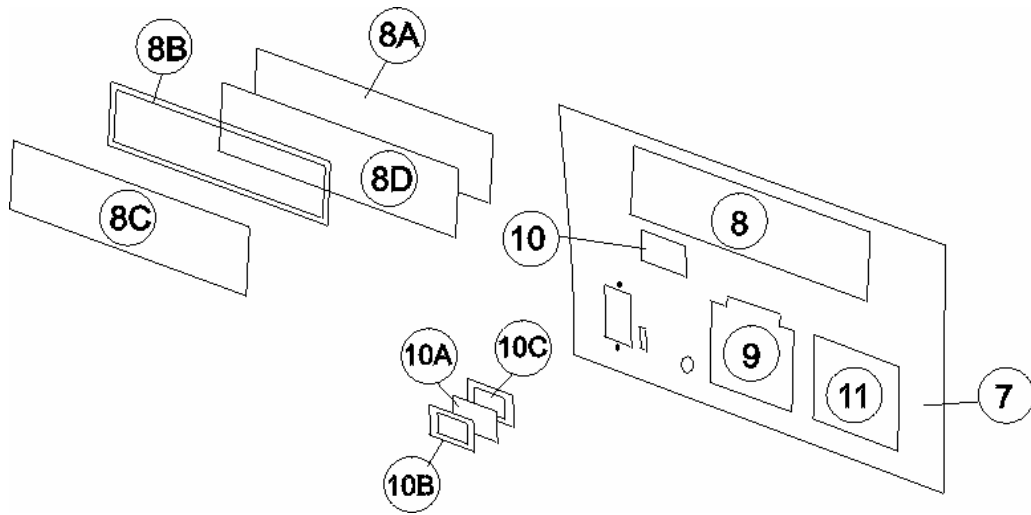
ITEM #	DESCRIPTION	PART NUMBER
1	Delivery Port (Large Port)	801,810,68x.x1
2	Delivery Port Spacer (Large Port)	
	W/A Trim Spacer	624,052,40x.x3
	Right Side	624,050,64x.x3
	Left Side	624,050,63x.x3
3	Port Stiffener	
	Wide / Narrow	624,050,03x.x3
4A	Access Door (prior to 6506AX)	
	Wide / Narrow	805,700,89x.x1
4B	Access Door (hinged) (0001-6506AX and higher)	
	Wide / Narrow	805,701,12x.x1
5	Hopper	
	Top	805,700,69x.x1
6	Door Rod	
	Wide	801,401,83x.x1
	Narrow	801,401,84x.x1
7	Door Hinge	
	Top	801,305,14x.x1
	Bottom	801,305,13x.x1
8	Cash Box W/A	
		624,052,80x.x3
9	Cash Box Coin Chute Assy.	
		624,052,70x.x3
10	Cash Box Shelf	
	Wide	805,700,66x.x1
11	Closure Strip	
	Wide / Narrow	609,050,14x.x3
12	Cover, Wire Plug	
	Wide / Narrow	624,050,67x.x3
13	"L" Profile Gasket	
	Wide	903,600,53x.x1
	Narrow	903,600,54x.x1
14	Assy., Coin Return Cup	
	Wide / Narrow	624,052,30x.x3
15A	Weld Assy. Coin Return Cup	
	Wide	624,050,30x.x3
15B	Coin Return Cup Door	
		801,810,75x.x1
16	Lamp Bracket	
	Wide / Narrow	624,050,39x.x3
17	S3D Mounting Bracket	
	72" Wide / Narrow	624,050,72x.x3
	79" Wide	624,050,73x.x3
18	Bracket, Door Switch	
	Wide / Narrow	604,051,28x.x3
19	Bill Validator Guard	
	Wide / Narrow	805,700,98x.x1

ITEM #	DESCRIPTION	PART NUMBER
20	Access Door Anti Vandal Bracket	
	Wide	805,701,02x.x1
21	Access Door Jamb	
	Wide / Narrow (prior to 6506AX)	805,700,97x.x1
	Wide / Narrow (0001-6506AX and higher)	805,701,09x.x1
22	Coin Chute Bracket	
		805,701,01x.x1
23	Standoff	
	.192x.312x.312	901,001,46x.x1
24	Push Nut, Acorn Type	
		900,902,37x.x1
25	Hopper Strap	
		624,050,79x.x1
26	Access Door Hinge (0001-6506AX and higher)	
	Top	624,054,10x.x3
	Bottom	624,054,20x.x3
27	Access Door Latch	
	0001-6506AX and higher	801,304,53x.x1
A4	Screw, Phil Pan w/out washer #8-18x $\frac{1}{2}$ "	900,301,50x.x1
A5	Screw, Phil Pan Swage Form #8-32x $\frac{3}{8}$ "	900,301,80x.x1
A9	Screw, Phil Pan Swage Form #8-32x $\frac{3}{8}$ " (prior to 1970-6462)	900,301,56x.x1
A11	Screw, Phil Pan Sems #8-32x $\frac{1}{4}$ " (s/n 1970-6462 & higher)	900,301,97x.x1
A15	Screw, Machine Truss #10-32x $\frac{1}{2}$ "	900,201,14x.x1
A16	Screw, Phil Pan Sems w/washer #8-18x $\frac{1}{2}$ "	900,301,65x.x1
A20	Screw, Machine Phil Pan #8-32x $\frac{3}{4}$ "	900,201,22x.x1
B1	Keps Nut #10-32	900,800,65x.x1
B2	Keps Nut # $\frac{1}{4}$ -20	900,800,67x.x1
B3	Keps Nut #8-32	900,800,50x.x1
B7	Elastic Stop Nut #8-32	900,800,51x.x1
C12	Nylon Spacer (prior to 1970-6462)	801,902,48x.x1
E2	Carriage Bolt $\frac{1}{4}$ x20x1	900,201,17x.x1
E4	Carriage Bolt $\frac{1}{4}$ -20x $\frac{1}{2}$	900,201,45x.x1
E5	Carriage Bolt $\frac{1}{4}$ -20x $\frac{3}{8}$ "	900,201,54x.x1
	Carriage Bolt $\frac{1}{4}$ -20x $\frac{1}{2}$ Red	900,202,04x.x1
F5	Pop Rivet, Steel (Zinc Plated) $\frac{1}{8}$ "	901,100,61x.x1
I2	Nylon Spacer	801,902,48x.x1

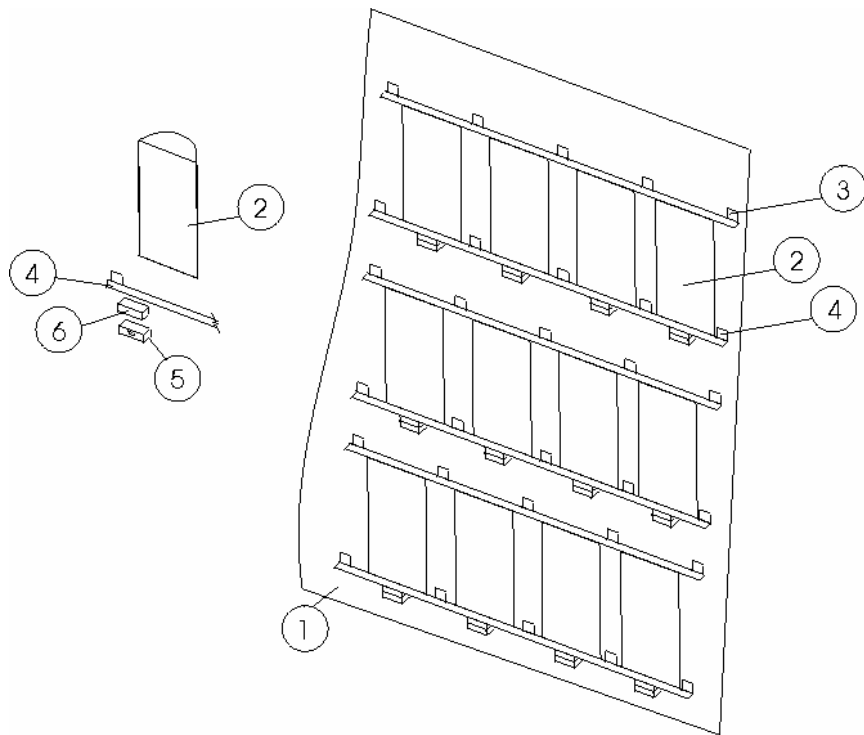


PULL OUT HANDLE & COIN INSERT

ITEM #	DESCRIPTION	PART NUMBER
1A	Assy. T-handle	
		801,518,20x.x1
1B	T-Handle Flange	
		801,518,18x.x1
1C	T-Handle Only	
		801,518,14x.x1
1D	T-Handle Stud	
		801,518,17x.x1
2	Coin Chute Assy.	
		624,052,60x.x3
3A	Coin Return Assy.	
		624,052,50x.x3
3B	Push Button Coin Return	
		801,807,25x.x1
3C	Coin Return Button Bracket	
		624,050,23x.x3
3D	Bushing .500x.625	
		801,903,13x.x1
3E	Coin Return Rocker	
	#6 (serial break not available at print)	805,700,61x.x1
	#8 (first 10,000 venders - s/n 0001-6501BW to #####-#####)	805,700,56x.x1
3F	Roller Pin	
		900,502,19x.x1
3G	Roller Pin Retainer	
		900,900,90x.x1
3H	Coin Return Cable Assy.	
	#6 Cable (serial break not available at print)	801,305,15x.x1
	#8 Cable (first 10,000 venders - s/n 0001-6501BW to #####-#####)	801,305,17x.x1
3I	Coin Return Changer Bracket	
		624,050,21x.x3
3J	Coin Return Changer Rocker	
		624,050,45x.x3
3K	Coin Return Spring	
		901,701,07x.x1
3L	Wing Nut	
	6-32 (serial break not available at print)	800,801,14x.x1
	8-32 (first 10,000 venders - s/n 0001-6501BW to #####-#####)	800,801,15x.x1
4	Coin Chute Bracket	
		805,701,01x.x1
5A	Display Lens	
		801,810,67x.x1
5B	Display Lens Gasket	
		802,001,28x.x1
6	Coin Insert Label	
	S3D	803,853,85x.x1
	SIID	803,853,83x.x1
7	Coin Chute Can Diverter	
		805,701,11x.x1



COIN INSERT PANEL

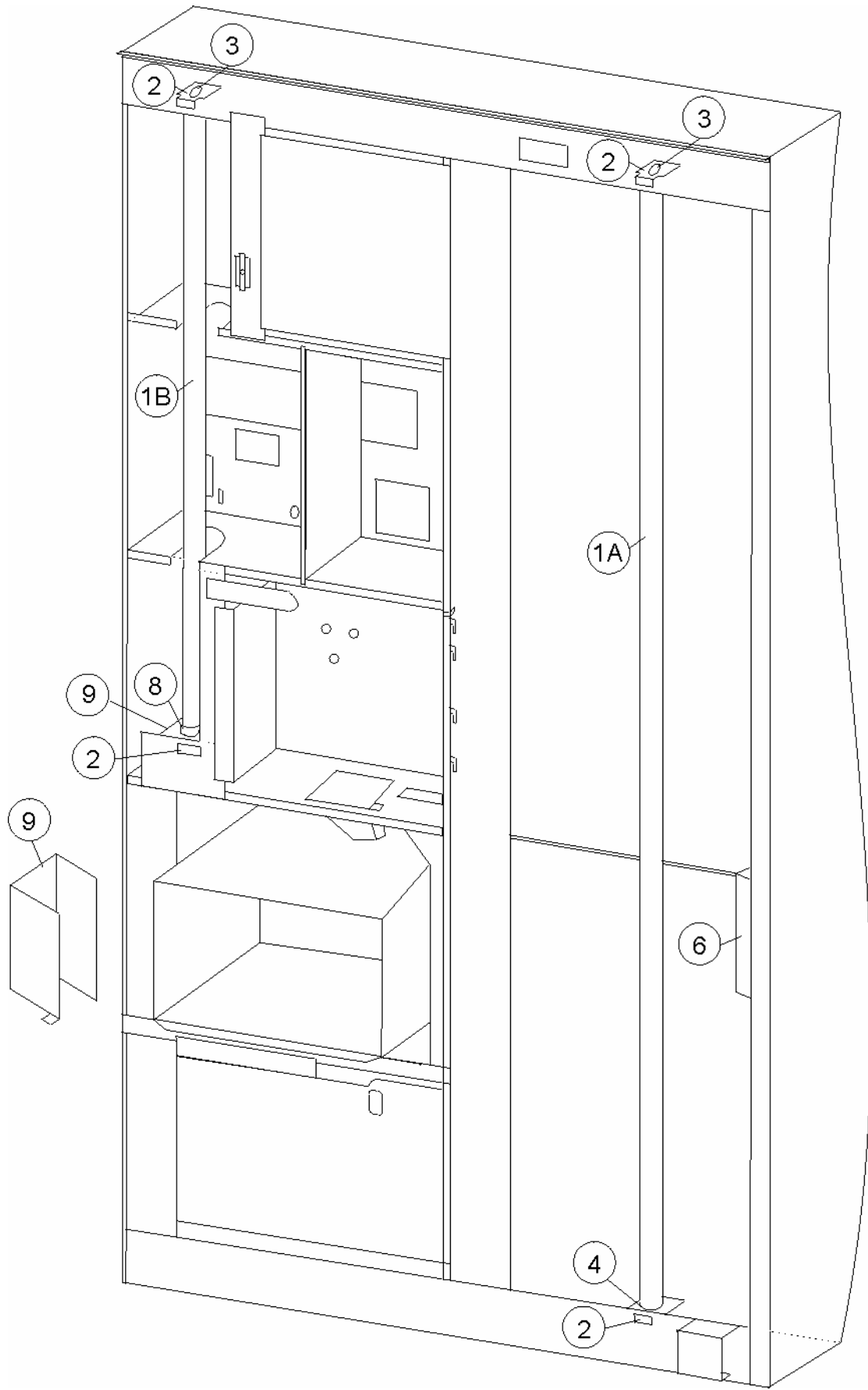


SELECT PANEL

SELECT PANEL / COIN INSERT PANEL

ITEM #	DESCRIPTION	PART NUMBER
1A	Select Panel Assy.	
	12 Select	624,051,80x.x3
	8 Select	624,051,90x.x3
1B	Select Panel Stud Assy.	
	12 Select	624,052,00x.x3
	8 Select	624,052,10x.x3
2	Select Button	
		801,810,62x.x1
3	Select Button Retainer	
	.063x1 ⁹ / ₁₆ x14 ¹³ / ₁₆	624,050,12x.x3
4	Select Button Stop	
	.063x2.301x14.813	805,700,58x.x1
5	Select Switch SIID	
		804,100,74x.x1
6	Switch Insulator	
		801,805,92x.x1
7A	Coin Insert Panel Weld Assembly	
	Domestic	624,053,90x.x3
	Export	624,054,00x.x3
7B	Coin Insert Panel Stud Assembly	
	Domestic	624,051,30x.x3
	Export	624,051,40x.x3
8A	POS Window Lens	
		801,810,69x.x1
8B	POS Window Gasket	
		802,001,29x.x1
8C	POS Window Backup Plate	
	.045x5.422x13.332	624,050,48x.x3
8D	Coin Insert POS Card	
	Thirsty	803,853,87x.x1
9	Feature Button	
	Retainer, Feature Button	805,700,93x.x1
	Stop, Feature Button	805,700,94x.x1
	Mars Validator Mounting Plate	624,050,56x.x3
	Filler Plate	624,050,57x.x3
	Feature Button Assy.	624,051,50x.x3
	Feature Button Plate Assy.	624,051,60x.x3
10A	Display Lens	
		801,810,67x.x1
10B	Display Lens Gasket	
		802,001,28x.x1
10C	Display Visibility Gasket	
		802,001,31x.x1
11A	Validator Filler Plate	
		360,050,72x.x3

ITEM #	DESCRIPTION	PART NUMBER
11B	Validator Filler Plate Gasket	
		902,001,02x.x1
11C	Spacer, Bill Validator	
		624,050,84x.x3
12	Coin Insert Label S3D	
		803,853,85x.x1
A6	Screw, Phil Pan #4-24x $\frac{3}{4}$	900,300,47x.x1
B2	Keps Nut $\frac{1}{4}$ -20	900,800,67x.x1
B3	Keps Nut 8-32	900,800,50x.x1

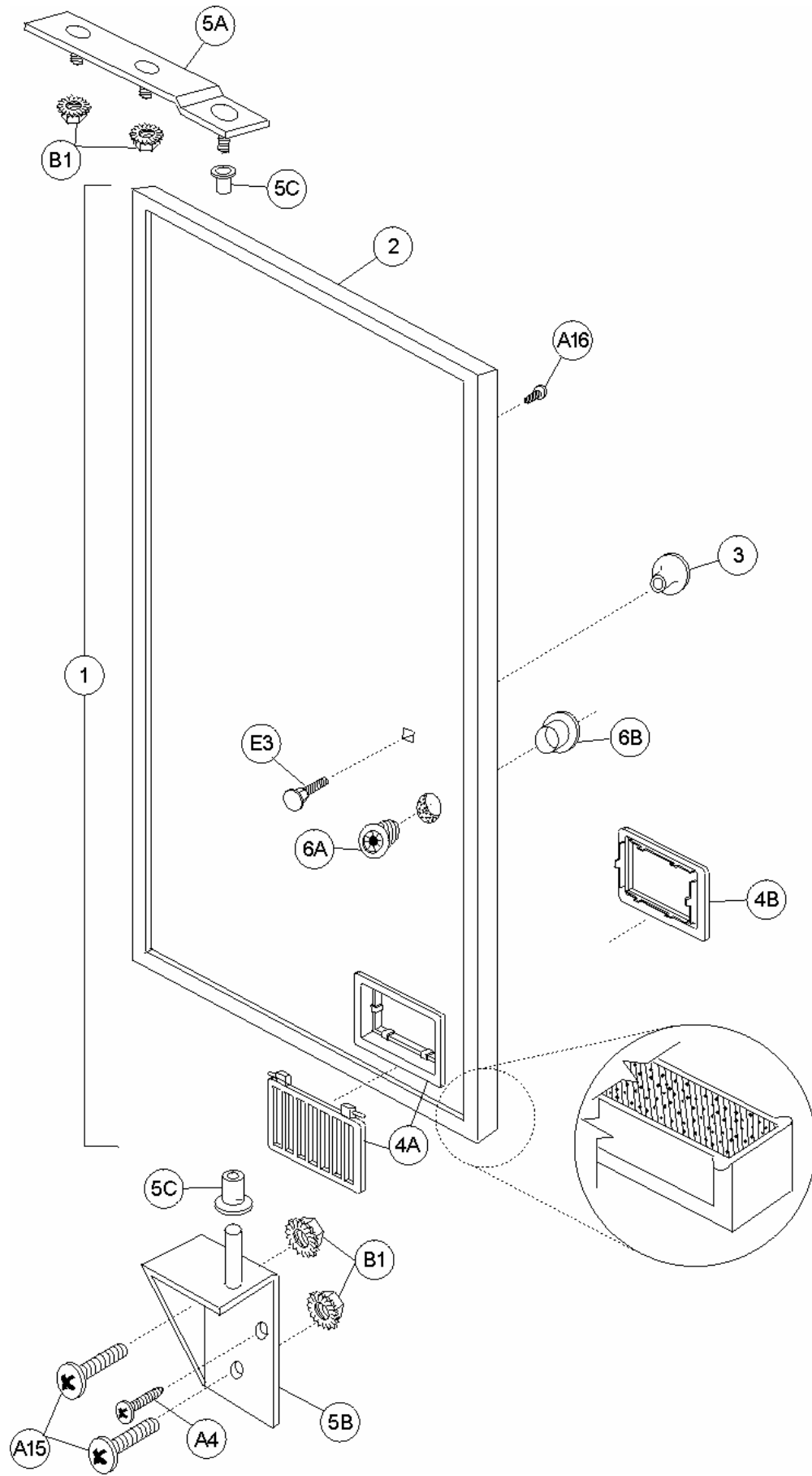


LIGHTING

ITEM #	DESCRIPTION	PART NUMBER
1	Fluorescent Bulb	
1A	F64T12/D H/O (72")	804,700,37x.x1
	F72T12/D H/O (79")	804,700,36x.x1
1B	F42T12D H/O (72")	804,700,64x.x1
	F48T H/O (79")	804,700,39x.x1
1C	48" T8 Metric Philips TLD 36W/840 NG (export)	804,700,66x.x1
	60" T8 Metric Philips TLD 58W/840 NG (export)	804,700,67x.x1
	72" T8 Metric Philips TLD 70W/840 NG (export)	804,700,68x.x1
2	Door Bracket, Lamp Socket	
	110V (.045 x 2.684 x 2.985) - 4 per	624,050,39x.x3
	220 / 50 (.045 x 3.043 x 2.289) - 3 per	624,000,04x.x3
	220 / 50 79" Bulkhead Socket Bracket (.045 x 2.061 x 3.491) - 1 per	624,050,92x.x3
3	Lampholder, Top	
	H/O 523	804,901,99x.x1
4	Lampholder, Bottom	
	H/O 524	804,902,00x.x1
	T8 (220 / 50) - 4 per (Leviton 13351-UN)	804,917,16x.x1
5	Light Harness, Plug In	
	H/O	804,916,02x.x1
	220 / 50 Light Harness	804,917,14x.x1
6	Ballast	
	High Output 110V/60Hz (domestic)	804,400,38x.x1
	High Output 220 / 240V, 50 / 60 Hz (export)	804,400,55x.x1
7	Jumper, H/O Lamp Fixture 22"	
	Bottom 110V/60Hz (domestic) 22"	804,913,93x.x1
	220 / 50 Lamp Fixture 24"	804,916,06x.x1
8	Boot, Lamp	
		902,001,21x.x1
9	Lamp Socket Shield	
		624,050,83x.x3
10	220 V (International) Ballast Jumper	
		804,917,15x.x1
A1	Screw, Phil Pan Swage Form #6-32x ³ / ₈	900,301,70x.x1

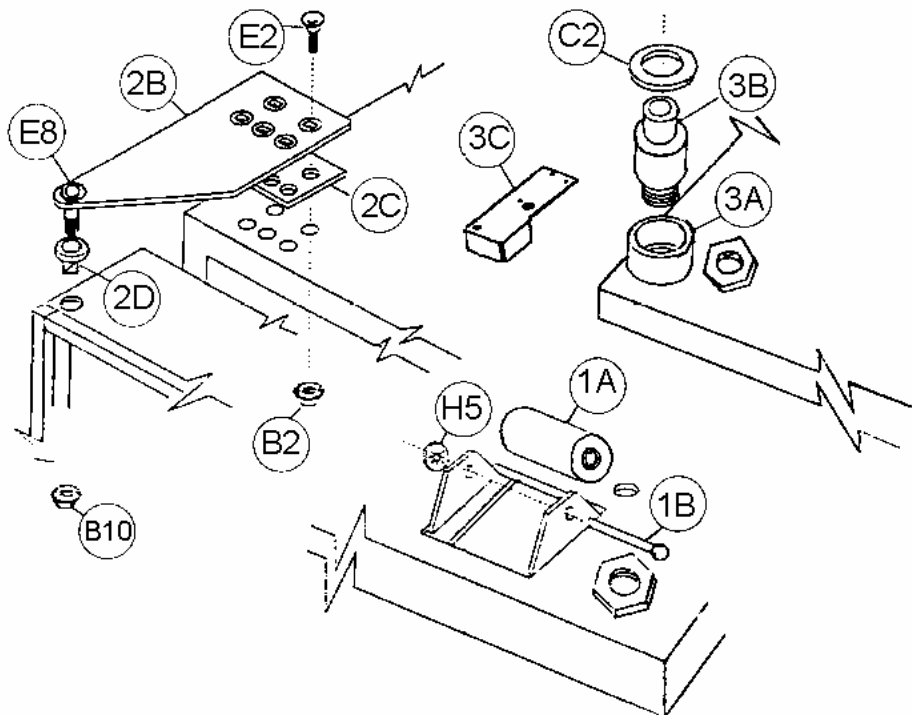
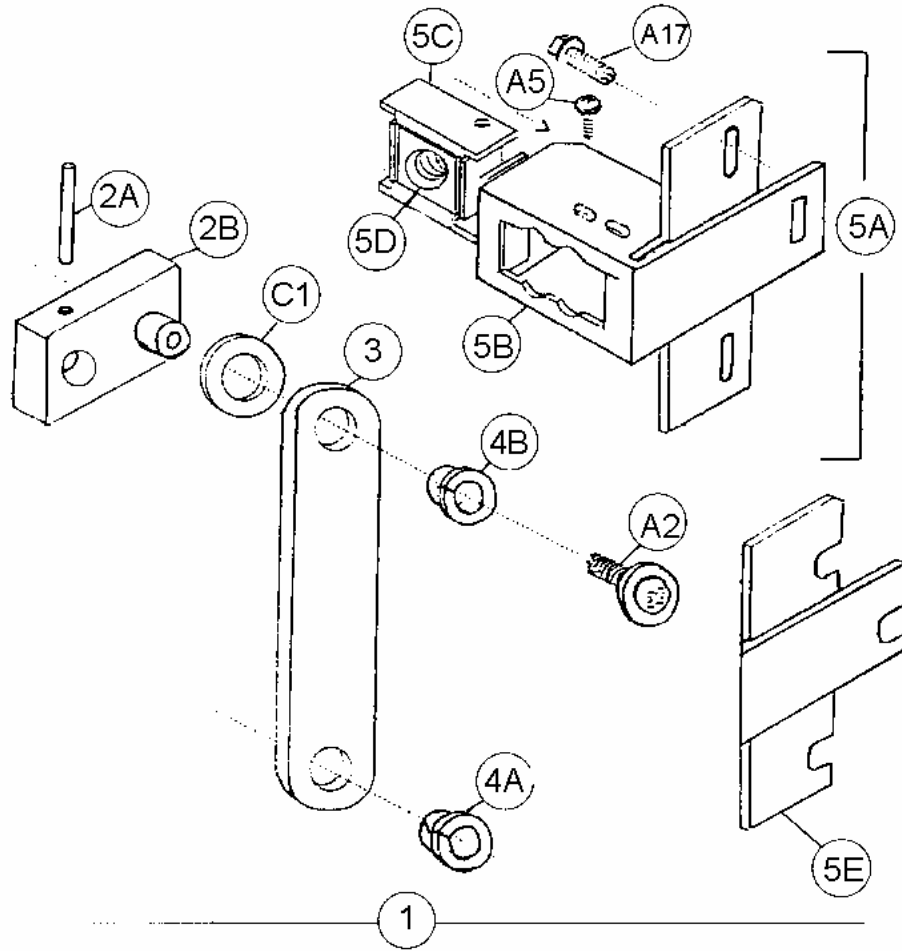
WIRING HARNESS

ITEM #	DESCRIPTION	PART NUMBER
1	Cabinet Harness	
	SIID-9 (Cam and Sold-Out Switch Harness)	804,915,04x.x1
	SIID-7	804,917,01x.x1
2	Door Harness	
	CC-9 Electronic	804,914,04x.x1
	CC-10 Electronic	804,913,89x.x1
	CC-11, 12, 13 Electronic without Sold-Out Lights	804,913,92x.x1
	CC 11,12, 13 Electronic with sold out lights	804,916,07x.x1
3	Display Harness	
	41" SIID / S3D	804,909,50x.x1
4	Coin Mech Harness	
	MDB	804,909,78x.x1
5	Cabinet Extension Harness	
	80" SIID / S3D	804,913,96x.x1
6	Motor Extension Harness	
	76" SIID / S3D	804,913,95x.x1
	90" SIID / S3D	804,909,29x.x1
7	Motor Harness	
	SIID-9	804,915,03x.x1
	SIID-7	804,917,02x.x1
8	DEX Harness	
	External	804,913,97x.x1
9	Sold-Out Light Harness 9 Select	
		804,916,09x.x1



INNER DOOR

ITEM #	DESCRIPTION	PART NUMBER
1	Inner Door Assy.	
	79" Wide	624,051,00x.x3
	72" Wide	624,051,10x.x3
	72" Narrow	624,051,20x.x3
2	Inner Door Gasket	
	79" Wide	801,804,07x.x1
	72" Wide	801,804,06x.x1
	72" Narrow	801,804,03x.x1
3	Knob	
		901,501,70x.x1
4A	Discharge Frame Assy.	
		801,809,16x.x1
4B	Discharge Frame Retainer	
		801,809,15x.x1
5A	Inner Door Top Hinge Assy.	
		169,053,00x.x3
5B	Inner Door Bottom Hinge Assy.	
		169,051,10x.x3
5C	Plastic Bearing	
		901,803,71x.x1
6A	Bushing, Inner Door	
		801,806,42x.x1
6B	Bushing Retainer, Inner Door	
		801,806,43x.x1
A4	Screw, Phil Pan w/out Washer #8-18x½	900,301,50x.x1
A15	Screw, Machine Truss #10-32x½	900,201,14x.x1
A16	Screw, Phil Pan Sems #8-18x½	900,301,65x.x1
A34	Screw, Phil Pan #6-20x ³ / ₈	800,303,22x.x1
B1	Keps Nut #10-32	900,800,65x.x1
E3	Carriage Bolt, ¼-20x1¼	900,201,23x.x1

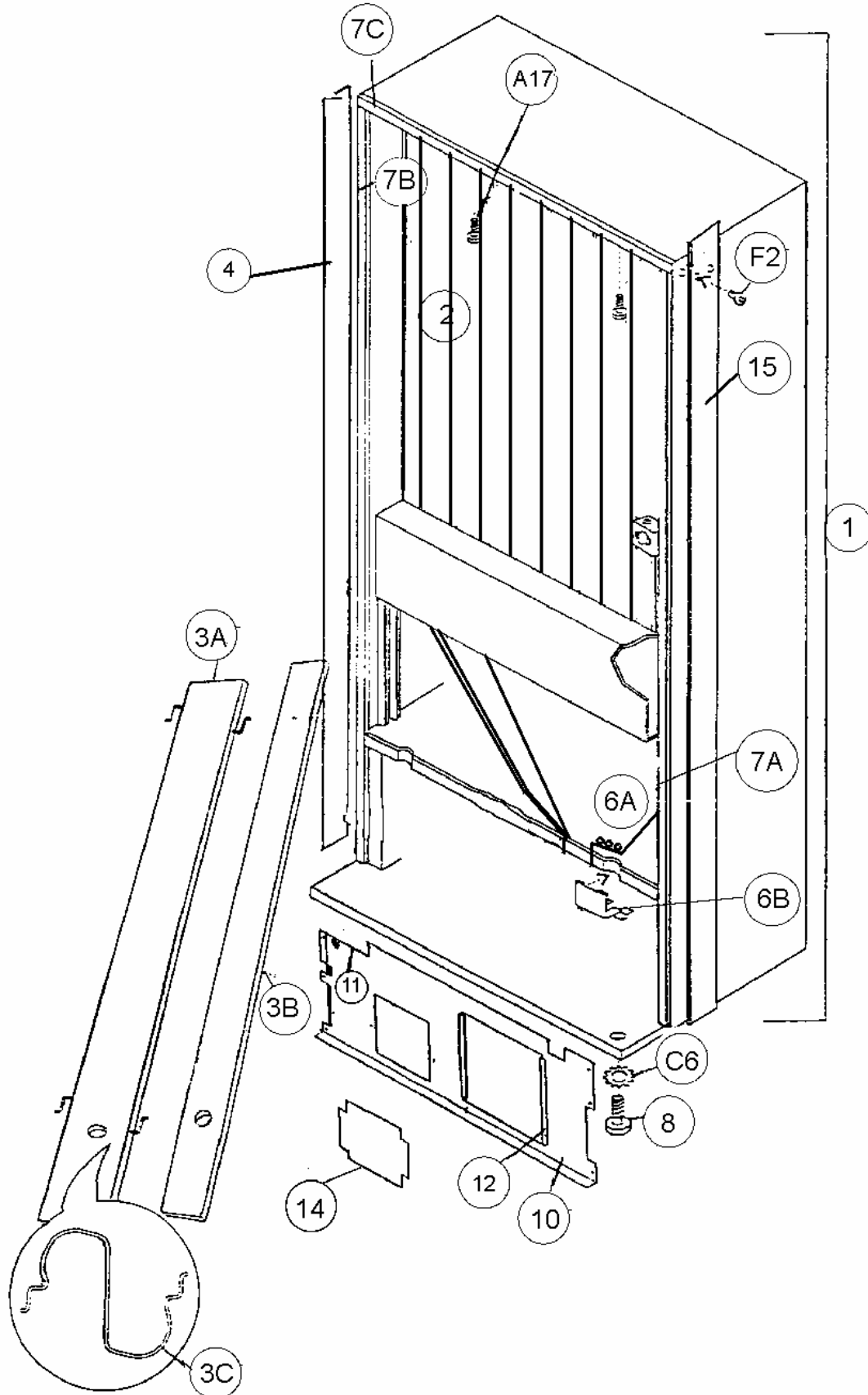


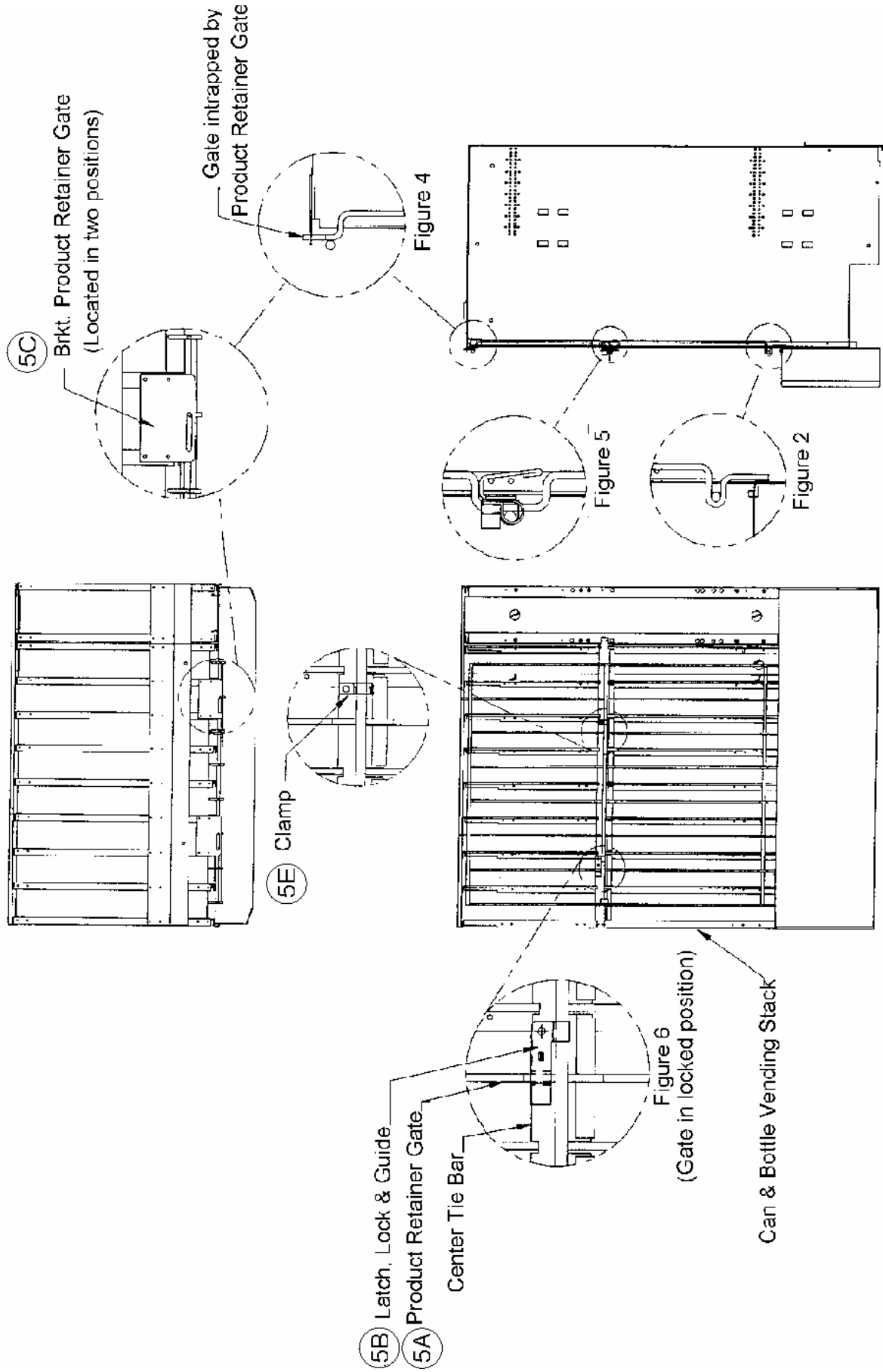
TWO-BAR LINKAGE / NUT RETAINER HOUSING

ITEM	DESCRIPTION	DNCB 600E 79" Wide	DNCB 501E 72" Wide	DNCB 276E 72" Narrow
1	Linkage and Drive Arm Assy.			
	All Styles	NA	NA	NA
2A	Groove Pin, 1/8x1 3/16 (30mm) - T2			
	All Styles	900,901,94x.x1	900,901,94x.x1	NA
2B	Drive Arm (Zinc)			
	All Styles	801,200,95x.x1	801,200,95x.x1	NA
3	Linkage Arm (Zinc)			
	All Styles	801,201,59x.x1	801,201,59x.x1	NA
4A	Nyliner, Top			
	All Styles	901,803,16x.x1	901,803,16x.x1	NA
4B	Nyliner, Bottom			
	All Styles	901,804,77x.x1	901,804,77x.x1	NA
5A	Assy., Nut Retainer Housing "E" - 1 point lock			
	Coke	432,052,50x.x4	432,052,50x.x4	432,052,50x.x4
5B	Traditional Nut Retainer Housing - 1 point lock			
	Coke	432,050,73x.x3	432,050,73x.x3	432,050,73x.x3
5C	Cage Nut Traditional - 1 point lock			
	Coke	801,803,85x.x1	801,803,85x.x1	801,803,85x.x1
5D	Square Nut, 1/2-13 N.C. - 1 point lock			
	All Styles Standard	900,800,57x.x1	900,800,57x.x1	900,800,57x.x1
	All Styles High Security	900,801,06x.x1	900,801,06x.x1	900,801,06x.x1
A2	Screw, Phil Pan Swage Form #8-32x1/2"		900,301,64x.x1	
A5	Screw, Phil Pan Swage Form #8-32x1/4"		900,301,97x.x1	
A11	Screw, Phil Pan Sems #8-32x1/4"		900,301,97x.x1	
A17	Screw, Type F, 1/4-20x5/8		900,302,01x.x1	
C1	Flat Washer B, Delrin .040 thick 3/8"IDx5/8"OD		900,700,60x.x1	

HINGES AND ROLLER ASSY.

ITEM	DESCRIPTION	DNCB 600E 79" Wide	DNCB 501E 72" Wide
1A	Roller, Main Door		
	All Styles	901,806,20x.x1	901,806,20x.x1
1B	Roller Pin		
	All Styles	900,502,19x.x1	900,502,19x.x1
2A	Assy., Top Hinge (drop in pin) E-Models All Styles		
		624,052,90x.x3	624,052,90x.x3
2B	Top Hinge (drop in pin) E-Models All Styles		
		801,305,14x.x1	801,305,14x.x1
2C	Top Hinge Spacer		
	All Styles	169,000,15x.x3	169,000,15x.x3
2D	Hinge Bearing		
	All Styles	805,300,42x.x1	805,300,42x.x1
3A	Bottom Hinge Sleeve		
	All Styles	900,502,64x.x1	900,502,64x.x1
3B	Bottom Hinge Pin		
		900,502,70x.x1	900,502,70x.x1
3C	Bottom Hinge		
		801,305,13x.x1	801,305,13x.x1
A9	Screw, Phil Pan Swage Form #8-32x3/8"	900,301,56x.x1	
A15	Screw, Machine Truss #10-32x1/2"	900,201,14x.x1	
A17	Screw, Self Tapping 1/4-20x5/8"	900,302,01x.x1	
B2	Keps Nut, 1/4-20	900,800,67x.x1	
B4	Keps Nut, Top Door Hinge 3/8-16	900,800,69x.x1	
B10	Hex Nut, 5/16-28 Center w/Flange (top hinge - drop in)	900,801,02x.x1	
C2	Flat Washer Door Hinge	901,303,77x.x1	
C10	Washer, Flat 18 Gauge	900,700,83x.x1	
C11	Flat Washer, 14 Gauge 5/16"-3/8"x7/8"	900,700,08x.x1	
E2	Carriage Bolt, 1/4-20x1	900,201,17x.x1	
E6	Carriage Bolt 1/4-20x3/4"	900,201,56x.x1	
E8	Carriage Bolt, 1/4-20x1 1/4 (top hinge - drop in)	900,201,85x.x1	
E9	Carriage Bolt, 1/4-20x5/8"	800,303,19x.x1	
H5	Retainer, Roller Pin	900,900,90x.x1	

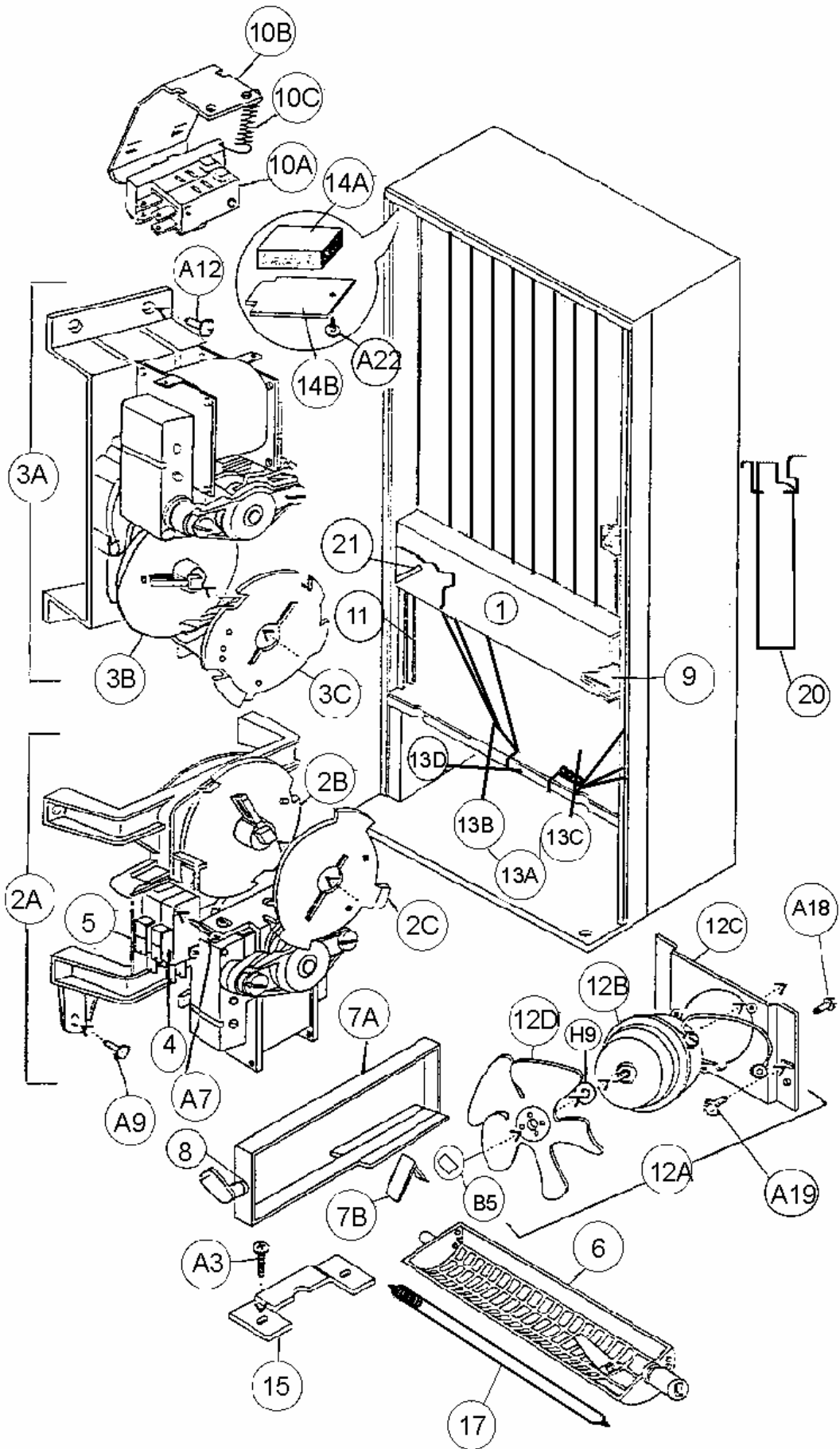




CABINET INTERIOR

ITEM	DESCRIPTION	DNCB 600E 79" Wide	DNCB 501E 72" Wide	DNCB 276E 72" Narrow
1	Foam Cabinet Assy.			
	All Styles	624,000,50x.x3	624,000,30x.x2	624,000,10x.x3
2A	Stack Assy.			
	Single Price - Cans	610,070,30x.x3	609,071,00x.x3	NA
	SIID - Cans	610,070,50x.x3	609,071,20x.x3	NA
	Single Price - Bottles	610,070,70x.x3	609,071,40x.x3	NA
	SIID - Bottles	610,070,80x.x3	609,071,50x.x3	NA
	Stack Assy. Single Price - No Shimming	NA	NA	615,070,40x.x3
	Stack Assy. SIID - No Shimming	NA	NA	615,070,00x.x3
	Single Price -330 ml Can 4 deep	610,071,60x.x3	609,074,30x.x3	609,074,80x.x3
	SIID -330 ml Can 4 deep	610,071,70x.x3	609,074,40x.x3	609,074,90x.x3
2B	Stack Sub Assy.			
	All Styles	610,070,40x.x3	609,071,10x.x3	615,070,10x.x3
	330 ml Can 4 Deep Single Price	610,071,80x.x3	609,074,50x.x3	609,075,00x.x3
3A	Rear Spacer Assy. Wide Column			
	All Styles	497,073,10x.x3	498,071,30x.x3	NA
3B	Rear Spacer Assy. Narrow Column			
	All Styles	497,073,20x.x3	498,071,40x.x3	498,071,40x.x3
3C	Latch Spring			
	Wide	901,700,88x.x1	901,700,88x.x1	NA
	Narrow	901,700,86x.x1	901,700,86x.x1	901,700,86x.x1
4	Protective Plate Left Side			
	All Styles	594,020,17x.x3	594,020,14x.x3	594,020,14x.x3
5A	Gate, Wire			
	All Styles	801,401,73x.x1	801,401,72x.x1	801,401,76x.x1
5B	Wire Gate Latch Lock & Guide			
	All Styles	801,401,77x.x1	801,401,77x.x1	801,401,77x.x1
5C	Wire Gate Bracket Top			
	All Styles	609,070,36x.x3	609,070,36x.x3	609,070,36x.x3
5D	Gate Label - Caution "E"			
	All Styles	803,855,82x.x1	803,855,82x.x1	803,855,82x.x1
5E	Clamp, Nylon Cable 1/2"			
	All Styles	900,901,80x.x1	900,901,80x.x1	900,901,80x.x1
6A	Mullion			
	All Styles	801,810,56x.x1	801,810,56x.x1	801,810,85x.x1
6B	Mullion Cover			
	All Styles	801,303,83x.x1	801,303,83x.x1	801,303,83x.x1
7A	Breaker Strip Right			
	All Styles	491,020,15x.x3	492,020,04x.x3	492,020,04x.x3
7B	Breaker Strip Left			
	All Styles	491,020,16x.x3	492,020,05x.x3	492,020,05x.x3
7C	Breaker Strip Top			
	All Styles	491,020,17x.x3	491,020,17x.x3	493,020,06x.x3
8	Leveling Leg 5/8"-11x2 1/16"			
	All Styles	900,502,49x.x1	900,502,49x.x1	900,502,49x.x1
9	Mounting Bracket, Rear			
	All Styles	609,070,24x.x3	609,070,24x.x3	609,070,24x.x3
10	Cabinet Front Stiffener Plate			
	All Styles	594,021,10x.x3	594,021,10x.x3	596,020,20x.x3

ITEM	DESCRIPTION	DNCB 600E 79" Wide	DNCB 501E 72" Wide	DNCB 276E 72" Narrow
11	Trim Access Hole Stiffener			
	All Styles	801,807,10x.x1	801,807,10x.x1	801,807,10x.x1
12	Caterpillar Grommeting			
	All Styles	801,809,93x.x1	801,809,93x.x1	801,809,93x.x1
14	Kydex Door			
	All Styles	801,903,34x.x1	801,903,34x.x1	801,903,34x.x1
15	Protective Plate Right, Cabinet			
		164,000,04x.x3	165,000,04x.x3	165,000,04x.x3
A4	Screw, Phil Pan 8-18x1/2		900,301,50x.x1	
A5	Screw, Phil Pan Swage Form #8-32x1/4"		900,301,97x.x1	
A9	Screw, Phil Pan 8-32x3/8		900,301,56x.x1	
A10	Screw, Machine #6-32x1 1/4"		900,201,31x.x1	
A14	Screw, Phil Pan 10-32x1 1/4		900,301,81x.x1	
A16	Screw, Phil Pan Sems 8-18x1/2"		900,301,65x.x1	
A17	Screw, Type F 1/4-20x5/8		900,302,01x.x1	
A19	Screw, Phil Pan 10-32x5/8		900,901,51x.x1	
A21	Screw, Phil Pan 8-18x1/2		900,301,98x.x1	
A26	Screw, Phil Pan 8-18x3/4		800,303,15x.x1	
B2	Keps Nut 1/4"-20		900,800,67x.x1	
C6	Lockwasher, Shakeproof 5/8" (1132-00-00-0551)		900,700,89x.x1	
C8	Washer, Shakeproof (4610-16-01-0551)		900,700,62x.x1	
E7	Carriage Bolt 1/4-20x5/8		900,303,12x.x1	
F1	Pop Rivet, Aluminum 1/4"		900,100,43x.x1	
F5	Pop Rivet, Steel (Zinc Plated) 1/8"		901,100,61x.x1	
F6	Pop Rivet, Aluminum 1/8"		901,100,53x.x1	
H2	Tinnerman Clip, Fan Shroud (C5207-014-3B)		900,901,89x.x1	
H7	Hole Plug, Snap In - 1 1/4		801,807,01x.x1	
I6	Clamp, Nylon 5/16 Black Heyco 3355 or Dennison 10159		900,901,79x.x1	
I7	Clamp, Nylon 1/2" Heyco 3328		900,901,80x.x1	



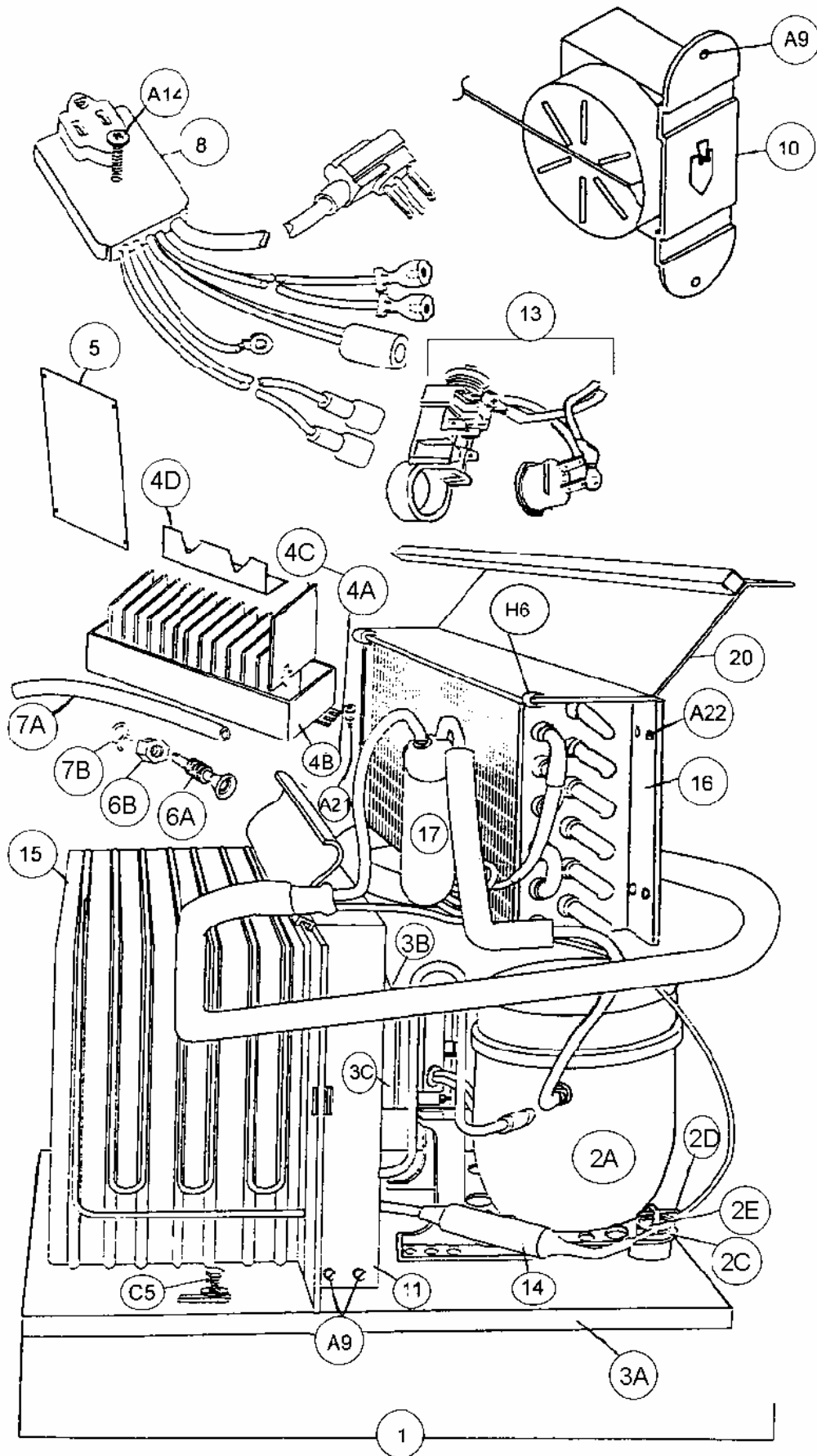
CABINET AND VEND MECHANISM

ITEM	DESCRIPTION	DNCB 600E 79" Wide	DNCB 501E 72" Wide	DNCB 276E 72" Narrow
1	Vend Motor Cover Assy.			
	All Styles	609,070,43x.x3	609,070,43x.x3	615,070,07x.x3
2A	Vend Motor Assy., Wide			
	Single Price	609,070,60x.x3	609,070,60x.x3	NA
	SIID	609,070,70x.x3	609,070,70x.x3	NA
2B	Vend Cam, Wide Column			
	Grey	801,809,80x.x1	801,809,80x.x1	NA
2C	Adjustable Cam, Wide Column			
	Red	801,809,79x.x1	801,809,79x.x1	NA
3A	Vend Motor Assy., Narrow			
	Single Price	609,070,80x.x3	609,070,80x.x3	609,070,80x.x3
	SIID	609,070,90x.x3	609,070,90x.x3	609,070,90x.x3
3B	Vend Cam, Narrow Column			
	Brown	801,806,18x.x1	801,806,18x.x1	801,806,18x.x1
	Orange - 4 deep	801,810,39x.x1	801,810,39x.x1	801,810,39x.x1
3C	Adjustable Cam, Narrow Column			
	Brown	801,806,61x.x1	801,806,61x.x1	801,806,61x.x1
4	Vend Motor Switch			
	Single Price (double)	804,100,69x.x1	804,100,69x.x1	804,100,69x.x1
	SIID (single)	804,100,73x.x1	804,100,73x.x1	804,100,73x.x1
5	Vend Motor Switch Insulator			
	All Styles	905,800,33x.x1	905,800,33x.x1	905,800,33x.x1
6	Vend Rotor - Narrow Column			
	All Styles	801,201,56x.x1	801,201,56x.x1	801,201,56x.x1
	330 ml x 4 Can, Assy. Rotor	801,201,65x.x1	801,201,65x.x1	801,201,65x.x1
7A	Vend Oscillator - Wide Column			
	All Styles	801,201,57x.x1	801,201,57x.x1	NA
7B	Package Retainer - Oscillator			
	All Styles	801,807,87x.x1	801,807,87x.x1	NA
8	Nyliner			
	Front Wide Column Only (#8L2-FF)	901,804,23x.x1	901,804,23x.x1	NA
	Rear All Columns	801,803,17x.x1	801,803,17x.x1	801,803,17x.x1
9	Wire Shield			
	All Styles	267,070,37x.x3	267,070,37x.x3	615,070,12x.x3
10A	Sold-Out Switch Assy.			
	Single Price, 2/4 Price - Xenoy 1731	804,100,68x.x1	804,100,68x.x1	804,100,68x.x1
	SIID (w/ gold cross point) - Xenoy 1731	804,100,75x.x1	804,100,75x.x1	804,100,75x.x1
10B	Sold-Out Paddle			
	Standard	432,070,19x.x3	432,070,19x.x3	432,070,19x.x3
	Special Use Only - E-Models	609,070,19x.x3	609,070,19x.x3	609,070,19x.x3
	Narrow - Special Use Only E-Models	432,070,17x.x3	432,070,17x.x3	432,070,17x.x3
10C	Sold-Out Paddle Spring			
	All Styles	901,700,74x.x1	901,700,74x.x1	901,700,74x.x1
11	Mechanism Supports			
	All Models Rear	497,070,01x.x3	497,070,01x.x3	497,070,01x.x3
12A	Evaporator Fan Motor Assy.			
	115V	491,000,20x.x3	491,000,20x.x3	491,000,20x.x3
	220-240V	491,140,40x.x3	491,140,40x.x3	491,140,40x.x3
12B	Evaporator Fan Motor			
	115V	804,500,59x.x1	804,500,59x.x1	804,500,59x.x1

220-240V	804,500,52x.x1	804,500,52x.x1	804,500,52x.x1
----------	----------------	----------------	----------------

ITEM	DESCRIPTION	DNCB 600E 79" Wide	DNCB 501E 72" Wide	DNCB 276E 72" Narrow
12C	Evaporator Fan Motor Bracket			
	All Styles	164,040,08x.x3	164,040,08x.x3	164,040,08x.x3
12D	Evaporator Fan Blade			
	All Styles (AD775CW32S or FV775CW30S)	801,303,27x.x1	801,303,27x.x1	801,303,27x.x1
13A	Chute Assy., Can/Bottle			
	Standard	624,070,10x.x3	624,070,10x.x3	624,070,00x.x3
13B	Chute, Can/Bottle			
	All Styles	805,701,04x.x1	805,701,04x.x1	805,701,03x.x1
13C	Chute Liner (Kydex), Can/Bottle			
	All Styles	801,903,62x.x1	801,903,62x.x1	801,903,57x.x1
13D	Chute Bracket			
	All Styles	609,070,48x.x3	609,070,48x.x3	609,070,48x.x3
14A	Foam Block, EPS			
	All Styles	903,300,77x.x1	903,300,77x.x1	903,300,70x.x1
14B	Hinge Pocket Cover			
	All Styles	169,000,13x.x3	169,000,13x.x3	169,000,13x.x3
15	Journal			
	All Styles	176,072,11x.x3	176,072,11x.x3	NA
16	Shims			
	Flat Shim 3/16" (wide column)	801,809,72x.x1	801,809,72x.x1	NA
	Flat Shim 3/32" (wide column)	801,809,81x.x1	801,809,81x.x1	NA
	Can Stop Shim, Right (narrow column)	609,070,14x.x3	609,070,14x.x3	609,070,14x.x3
	Bottle Shim, Right (narrow column)	609,070,15x.x3	609,070,15x.x3	609,070,15x.x3
	Bottle Shim, Right (narrow column) Expose Stiffener	801,304,96x.x1	801,304,96x.x1	801,304,96x.x1
	Angle Shim (wide column)	610,070,06x.x1	610,070,06x.x1	NA
	Angle Shim (narrow column)	609,010,10x.x3	609,010,10x.x3	609,010,10x.x3
	Rotor Shim 330 ml x 4	609,070,57x.x3	609,070,57x.x3	609,070,57x.x3
	Shim 330 ml x 4 Can, Narrow Column	609,070,53x.x3	609,070,53x.x3	609,070,53x.x3
	Shim 25 cl x 4 Can, Narrow Column	609,070,56x.x3	609,070,56x.x3	609,070,56x.x3
17	Rod and Spring Assy. (narrow column)			
	All Styles	609,070,30x.x3	609,070,30x.x3	609,070,30x.x3
18	Tubes for Rod and Springs			
	Red	801,903,23x.x1	801,903,23x.x1	801,903,23x.x1
	Yellow	801,903,25x.x1	801,903,25x.x1	801,903,25x.x1
	White	801,903,24x.x1	801,903,24x.x1	801,903,24x.x1
19	Oscillator, Paddle Extension w/bottle stop			
	All Styles for advised set-up	324,010,21x.x3	324,010,21x.x3	NA
20	Bottle Divider			
	All Styles for advised set-up	609,072,40x.x3	609,072,30x.x3	609,072,30x.x3
21	Trim, Vend Motor Cover			
	All Styles	801,807,85x.x1	801,807,85x.x1	801,807,85x.x1
A3	Screw, Phil Pan 10-32x5/16"		900,301,83x.x1	
A6	Screw, Vend Motor #4-24x3/4" (Single Switch)		900,300,47x.x1	
A7	Screw, Vend Motor #4-24x1 1/16" (Double Switch)		900,301,82x.x1	
A8	Screw, Vend Motor #4-24x1 1/2" (Triple Switch)		900,301,61x.x1	
A9	Screw, Phil Pan 8-32x3/8		900,301,56x.x1	
A12	Screw, Phil Thread 8-32x5/8		900,301,85x.x1	
A18	Screw, Hex Head 8-36x3/8"		900,301,69x.x1	
A19	Screw, Phil Pan 10-32x5/8"		900,901,51x.x1	

ITEM	DESCRIPTION	DNCB 600E 79" Wide	DNCB 501E 72" Wide	DNCB 276E 72" Narrow
A22	Screw, Phil Pan 8-18x1/2"		900,301,84x.x1	
A32	Screw, Hex Washer Type 1 #8-32x3/8"		900,303,08x.x1	
B5	Speed Nut		900,800,85x.x1	
F5	Pop Rivet, Steel (Zinc Plated) 1/8"		901,100,61x.x1	
F6	Pop Rivet, Aluminum 1/8"		901,100,53x.x1	
F7	Pop Rivet, Steel (Zinc Plated) 3/16"		901,100,60x.x1	
H3	Grommet, Bk. Rubber #97		900,401,09x.x1	
H9	Silencer		902,100,29x.x1	
I11	Clamp, Nylon 3/4" Heyco 3382BL		901,900,55x.x1	

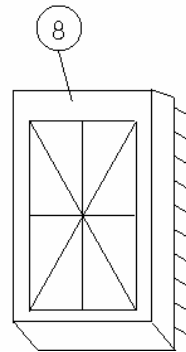
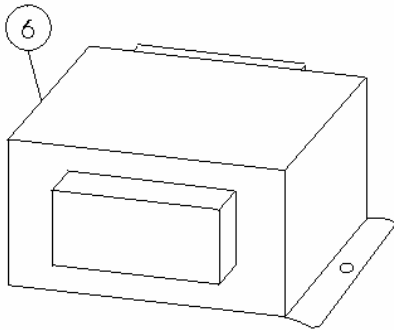
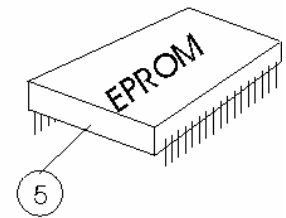
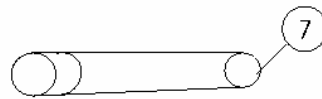
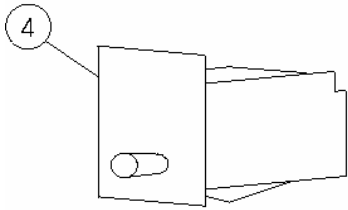
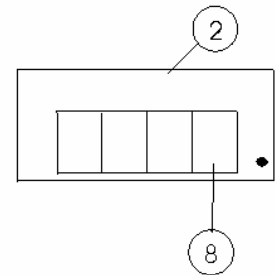
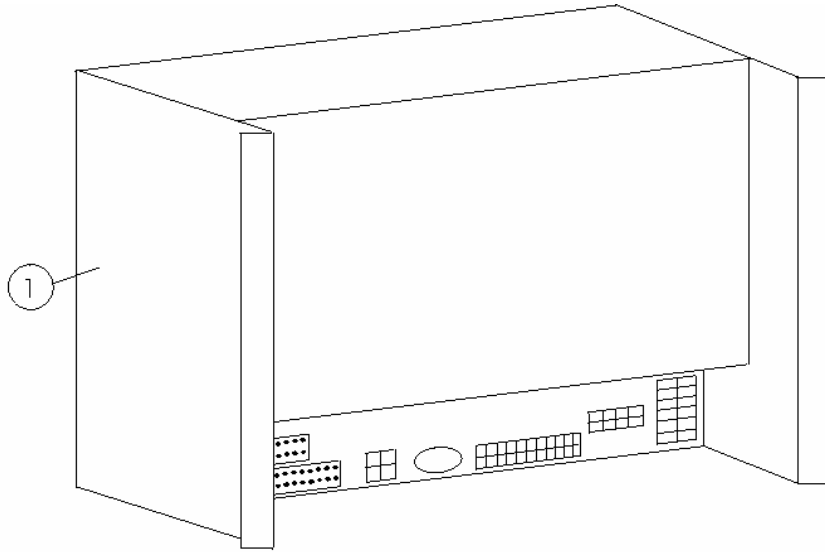


REFRIGERATION SYSTEM

ITEM	DESCRIPTION	DNCB 600E 79" Wide	DNCB 501E 72" Wide	DNCB 276E 72" Narrow
1	Complete Refrigeration System			
	All Styles Domestic (1203C-E)	609,040,90x.x3	609,040,90x.x3	609,040,90x.x3
	1/3 HP 220-240/50 "E" (1223-E IEC)	609,041,10x.x3	609,041,10x.x3	609,041,10x.x3
	1/3 HP 220-240/50 "E" (1223-E AUS)	609,041,30x.x3	609,041,30x.x3	609,041,30x.x3
	1/3 HP 220-240/50 "E" (1223-E GEN)	609,041,50x.x3	609,041,50x.x3	609,041,50x.x3
2A	Compressor			
	FFI12HBX 115/60 1/3 HP	802,501,74x.x1	802,501,74x.x1	802,501,74x.x1
	FFI12HBK 220/50 1/3 HP	802,502,17x.x1	802,502,17x.x1	802,502,17x.x1
2B	Compressor Lead Harness			
	115/60 (1203CB-E)	904,900,61x.x1	904,900,61x.x1	904,900,61x.x1
	Europe	804,905,32x.x1	804,905,32x.x1	804,905,32x.x1
	IECA	804,904,49x.x1	804,904,49x.x1	804,904,49x.x1
	220/50	904,900,61x.x1	904,900,61x.x1	904,900,61x.x1
2C	Compressor Mounting Grommet			
	All Styles	902,000,57x.x1	902,000,57x.x1	902,000,57x.x1
2D	Compressor Mounting Clip			
	All Styles	900,901,88x.x1	900,901,88x.x1	900,901,88x.x1
2E	Compressor Grommet Plug, Plastic			
	All Styles	901,803,91x.x1	901,803,91x.x1	901,803,91x.x1
3A	Condenser Base Plate			
	All Styles	491,040,25x.x3	491,040,25x.x3	491,040,25x.x3
3B	Condenser Fan Motor Assy.			
	115/60	491,040,20x.x3	491,040,20x.x3	491,040,20x.x3
	220/50	491,140,30x.x3	491,140,30x.x3	491,140,30x.x3
3C	Condenser Fan Motor And Bracket ("A" Frame)			
	115/60	804,500,67x.x1	804,500,67x.x1	804,500,67x.x1
	220/50	804,500,70x.x1	804,500,70x.x1	804,500,70x.x1
3D	Condenser Fan Blade			
	All Styles FY870CW25S	800,103,37x.x2	800,103,37x.x2	800,103,37x.x2
4A	Drain Pan Assy. w/ Fiberglass Soakers			
	All Styles	491,000,10x.x3	491,000,10x.x3	491,000,10x.x3
4B	Drain Pan, Plastic w/ Fingers			
	All Styles	801,804,24x.x1	801,804,24x.x1	801,804,24x.x1
4C	Soakers, Fiberglass (14 required)			
	All Styles	905,800,69x.x1	905,800,69x.x1	905,800,69x.x1
4D	Drain Pan Clamp			
	All Styles	594,000,06x.x3	594,000,06x.x3	594,000,06x.x3
5	Rear Condensate Plate			
	All Styles	801,903,52x.x1	801,903,52x.x1	801,903,52x.x1
6A	Drain Tube			
	All Styles	801,806,05x.x1	801,806,05x.x1	801,806,05x.x1
6B	Drain Tube Nut			
	All Styles	900,301,79x.x1	900,301,79x.x1	900,301,79x.x1
7A	Drain Hose			
	All Styles	901,900,50x.x1	901,900,50x.x1	901,900,50x.x1
7B	Drain Hose Clamp			
	All Styles	900,901,03x.x1	900,901,03x.x1	900,901,03x.x1

ITEM	DESCRIPTION	DNCB 600E 79" Wide	DNCB 501E 72" Wide	DNCB 276E 72" Narrow
8	Main Wiring Harness			
	United States & Mexico	804,902,22x.x1	804,902,22x.x1	804,902,22x.x1
9	Fan Housing Assy.			
	Double	609,044,00x.x3	609,044,00x.x3	NA
	Narrow	NA	NA	493,040,10x.x3
10A	Temperature Control			
	All Styles	802,800,50x.x1	802,800,50x.x1	802,800,54x.x1
10B	Bracket, Temperature Control Extension (.045x5.125x6.671)			
		624,000,01x.x3	624,000,01x.x3	624,000,01x.x3
11	Condenser Fan Shroud			
	All Styles	491,040,11x.x3	491,040,11x.x3	491,040,11x.x3
12	Relay (110V / 60 Hz)			
	Domestic Models Embraco 1.351.605	802,502,13x.x1	802,502,13x.x1	802,502,13x.x1
13	Overload / (110V / 60 Hz)			
	Domestic Models TIMRT22AFZ-5598 (FOR 1/3 HP)	802,502,10x.x1	802,502,10x.x1	802,502,10x.x1
14	Dryer			
	All Styles .054 Outlet 4AXH7	802,401,29x.x1	802,401,29x.x1	802,401,29x.x1
15	Condenser			
	All Styles "B" 1/3 HP	802,600,55x.x1	802,600,55x.x1	802,600,55x.x1
16	Evaporator (short)			
	CW01655 (1/3 HP)	802,600,37x.x1	802,600,37x.x1	802,600,37x.x1
17	Accumulator			
	1/3 HP	802,400,46x.x1	802,400,46x.x1	802,400,46x.x1
18A	Capacitor, Start			
	Domestic, 233-280MFD / 115V 60 Hz (FOR 1/3 HP)	802,501,21x.x1	802,501,21x.x1	802,501,21x.x1
18B	Capacitor, End Cap Bottom Hole			
	Domestic	802,501,18x.x1	802,501,18x.x1	802,501,18x.x1
18C	Capacitor Assembling Bracket			
	Domestic	802,501,87x.x1	802,501,87x.x1	802,501,87x.x1
19	Cover, Embraco			
	1.355.504 Short (Domestic) - 1/3 HP	802,501,86x.x1	802,501,86x.x1	NA
20	Top Evaporator Cover			
		609,050,06x.x3	609,050,06x.x3	615,050,14x.x3
A9	Screw, Phil Pan 8-32x3/8		900,301,56x.x1	
A16	Screw, Phil Pan Sems w/ Washer #8-18x1/2"		900,301,65x.x1	
A18	Screw, Hex Head 8-36x3/8"		900,301,69x.x1	
A21	Screw, Phil Pan Shoulder #8-18x17/32"		900,301,98x.x1	
A22	Screw, Phil Pan #8-18x1/2		900,301,84x.x1	
A28	Screw, Phil Flat 10-32x1/2		900,301,94x.x1	
A29	Screw, Machine Brass 6-32x1/4		900,201,44x.x1	
B5	Speed Nut		900,800,85x.x1	
C5	Lock Washer, Split 3/8"		900,700,36x.x1	
E1	Refrigeration Bolt 3/8-16x1"		900,400,44x.x1	
F6	Pop Rivet, Aluminum 1/8"		901,100,53x.x1	

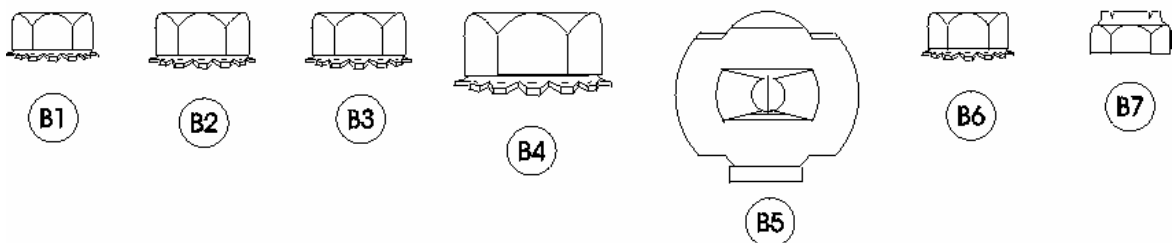
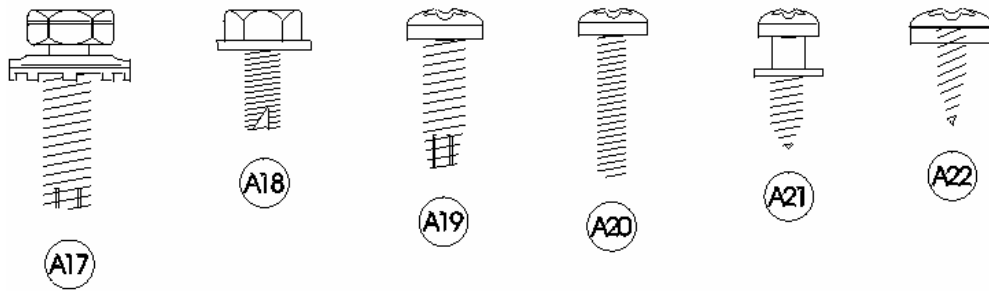
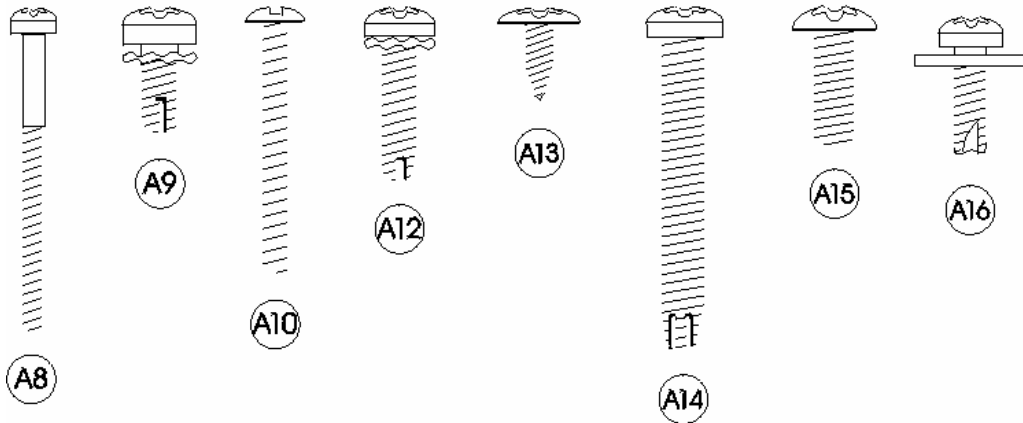
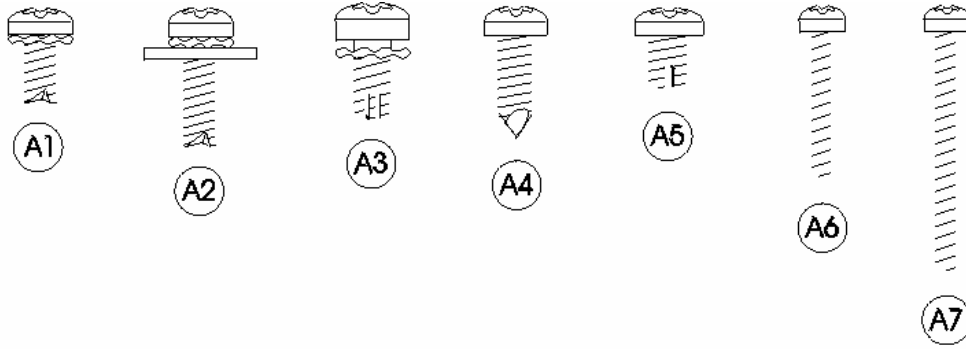
ITEM	DESCRIPTION	DNCB 600E 79" Wide	DNCB 501E 72" Wide	DNCB 276E 72" Narrow
H2	Tinnerman Clip, Fan Shroud		900,901,89x.x1	
H6	Tinnerman Clip		900,902,18x.x1	
H8	Grommet, Admiral #B53351		901,806,77x.x1	
H9	Silencer		902,100,29x.x1	
I11	Clamp, Nylon 3/4" Heyco 3382BL		901,900,55x.x1	
I12	Cable Tie, 5 1/2"		901,902,83x.x1	



ELECTRONIC COMPONENTS / MISC. LABELS

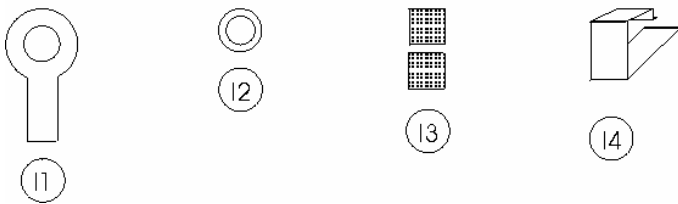
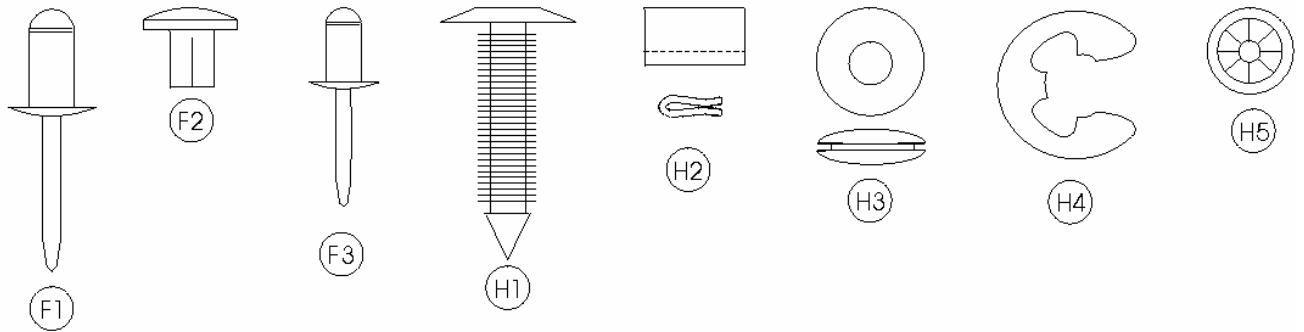
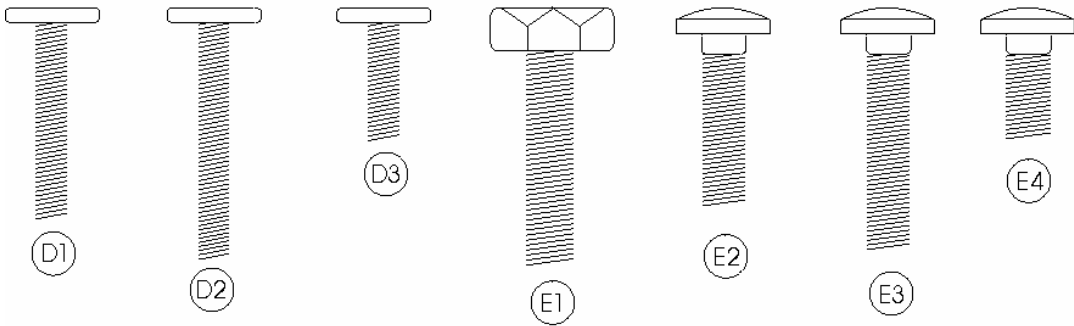
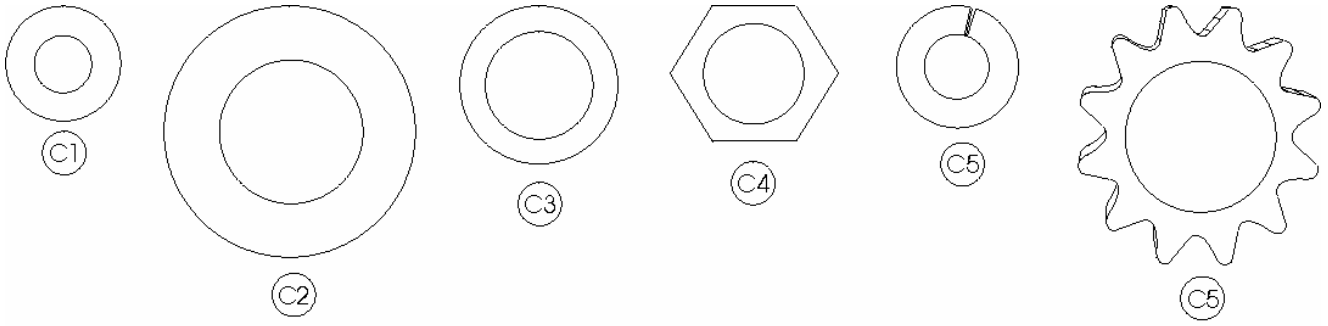
ITEM	DESCRIPTION	DNCB 600E 79" Wide	DNCB 501E 72" Wide	DNCB 276E 72" Narrow
1	Control Board			
	S3D	804,915,10x.x1	804,915,10x.x1	804,915,10x.x1
	SIID	804,911,83x.x1	804,911,83x.x1	804,911,83x.x1
2	Display Board Assy.			
		804,914,11x.x1	804,914,11x.x1	804,914,11x.x1
3	SIID Control Board Curtain			
		801,903,38x.x1	801,903,38x.x1	801,903,38x.x1
4	Door Switch			
		804,100,77x.x1	804,100,77x.x1	804,100,77x.x1
5	Controller Software (Eprom)			
	SIID	804,911,390.51-B	804,911,390.51-B	804,911,390.51-B
	SIID / S3D EVS 2.2	804,911,390.81-A	804,911,390.81-A	804,911,390.81-A
6	Transformer			
		804,909,80x.x1	804,909,80x.x1	804,909,80x.x1
7	Fuses			
	1.6 Amp Slow Blow Fuse	804,800,71x.x1	804,800,71x.x1	804,800,71x.x1
	6 Amp Fast Acting Fuse	804,901,93x.x1	804,901,93x.x1	804,901,93x.x1
	1 Amp Slow Blow Fuse (SIID Only)	804,800,72x.x1	804,800,72x.x1	804,800,72x.x1
8	Display Segment Character			
	14 Segment	804,912,79x.x1	804,912,79x.x1	804,912,79x.x1
9	Wiring Diagram			
	SIID-9/9	803,855,73x.x1	803,855,73x.x1	NA
	S3D-9/9	803,855,72x.x1	803,855,72x.x1	NA
	S3D-13/9 with Sold-Out Lights	803,854,41x.x1	803,854,41x.x1	NA
	S3D-13/9 without Sold-Out Lights	803,854,39x.x1	803,854,39x.x1	NA
	S3D-9/9 without Sold-Out Lights	803,856,34x.x1	803,856,34x.x1	NA
	S3D-9/9 with Sold-Out Lights	803,856,35x.x1	803,856,35x.x1	NA
	S3D-9/7 without Sold-Out Lights	NA	NA	803,856,36x.x1
	S3D-9/7 with Sold-Out Lights	NA	NA	803,856,37x.x1
10	Labels			
	Press Selection to Display Price	903,835,15x.x1	903,835,15x.x1	903,835,15x.x1
	Press Selection to Display Price or Sold-Out	803,902,55x.x1	803,902,55x.x1	803,902,55x.x1
	4-Button Programming Space-to-Sales Options	803,849,04x.x1	803,849,04x.x1	803,849,04x.x1
	Price	903,828,82x.x1	903,828,82x.x1	903,828,82x.x1
	Coin Mech	903,901,30x.x1	903,901,30x.x1	903,901,30x.x1
	4 Button Programming	903,854,06x.x1	903,854,06x.x1	903,854,06x.x1
	Warning: Do Not Tilt	803,843,64x.x1	803,843,64x.x1	803,843,64x.x1
	134A Removable Substance	903,833,54x.x1	903,833,54x.x1	903,833,54x.x1
	Money Removed Daily	903,805,70x.x1	903,805,70x.x1	903,805,70x.x1
	Coke Validator Opening Instructions (Domestic)	803,822,94x.x1	803,822,94x.x1	803,822,94x.x1
	Power Disconnect	803,835,98x.x1	803,835,98x.x1	803,835,98x.x1
	Loading Instructions	903,837,07x.x1	903,837,07x.x1	903,837,07x.x1
	Package Set-Up Guide	803,849,11x.x1	803,849,11x.x1	803,849,11x.x1
	Gate - Caution	803,855,82x.x1	803,855,82x.x1	803,855,82x.x1
Power Supply Cord Label	803,834,65x.x1	803,834,65x.x1	803,834,65x.x1	
Skid Removal	903,828,70x.x1	903,828,70x.x1	903,828,70x.x1	

ITEM	DESCRIPTION	DNCB 600E 79" Wide	DNCB 501E 72" Wide	DNCB 276E 72" Narrow
	Coke Product Label	803,843,43x.x1	803,843,43x.x1	803,843,43x.x1
	Price Label	803,843,44x.x1	803,843,44x.x1	803,843,44x.x1
	Non SII Price Label VRV	803,836,16x.x1	803,836,16x.x1	803,836,16x.x1
	Coin Mechanism	903,901,29x.x1	903,901,29x.x1	903,901,29x.x1
	SIID Control Box Warning Label	803,848,28x.x1	803,848,28x.x1	803,848,28x.x1
	4 Button Programming	903,054,06x.x1	903,054,06x.x1	903,054,06x.x1
	Coke EVS Revision 2.2 - Landscape Programming	803,854,75x.x1	803,854,75x.x1	803,854,75x.x1
	Coke EVS Revision 2.2 - 13/9 Marketing Machine Programming	803,854,76x.x1	803,854,76x.x1	NA
	Coke EVS Revision 2.2 - 9/9 Marketing Machine Programming	803,854,77x.x1	803,854,77x.x1	NA
	Coke EVS Revision 2.2 - 9/7 Marketing Machine Programming	NA	NA	803,856,29x.x1
	Coke EVS Revision 2.2 - Select Button Layout Label - 9 Select	803,854,94x.x1	803,854,94x.x1	803,854,94x.x1
	Coke EVS Revision 2.2 - Select Button Layout Label - 13 Select	803,856,14x.x1	803,856,14x.x1	NA
12	Installation Set-Up Guide			
		903,901,60x.x1	903,901,60x.x1	903,901,60x.x1



SCREWS & NUTS

ITEM	PART NUMBER	PART NAME AND DESCRIPTION
A1	900,301,70x.x1	Screw, Phil Pan Swage Form #6 - 32 x 3/8"
A2	900,301,64x.x1	Screw, Phil Pan Swage Form w/washer #8 - 32 x 1/2"
A3	900,301,83x.x1	Screw, Phil Pan Swage Form #10 - 32 x 5/16"
A4	900,301,50x.x1	Screw, Phil Pan w/out washer, #8 - 18 x 1/2"
A5	900,301,97x.x1	Screw, Phil Pan Swage Form #8 - 32 x 1/4"
A6	900,300,47x.x1	Screw, Vend Motor, #4-24 x 3/4" Single Switch
A7	900,301,82x.x1	Screw, Vend Motor, #4-24 x 1 1/16" Double Switch
A8	900,301,61x.x1	Screw, Vend Motor, #4-24 x 1 1/2" Triple Switch
A9	900,301,56x.x1	Screw, Phil Pan Cutting #8 - 32 x 3/8"
A10	900,201,31x.x1	Screw, Machine, #6 - 32 x 1 1/4"
A11	900,301,97x.x1	Screw, Phil Pan Sems #8 - 32 x 1/4"
A12	900,301,85x.x1	Screw, Phil Thread Form #8 - 32 x 5/8"
A13	900,300,16x.x1	Screw, Phil Head Truss #6 x 3/8"
A14	900,301,81x.x1	Screw, Phil Pan Form #10 - 32 x 1 1/4"
A15	900,201,14x.x1	Screw, Machine Truss, #10 - 32 x 1/2"
A16	900,301,65x.x1	Screw, Phil Pan Sems with washer, #8 - 18 x 1/2"
A17	900,302,01x.x1	Screw, Self Tapping, 1/4 - 20 x 5/8"
A18	900,301,69x.x1	Screw, Hex Head Swage Form #8 - 36 x 3/8"
A19	900,901,51x.x1	Screw, Phil Pan Tapping #10 - 32 x 5/8"
A20	900,201,22x.x1	Screw, Machine Phil Pan #8 - 32 x 3/4"
A21	900,301,98x.x1	Screw, Phil Pan Shoulder #8 - 18 x 1/2"
A22	900,301,84x.x1	Screw, Phil Pan #8-18x1/2"
A23	900,500,26x.x1	Shoulder Screw 1/2" Long
A24	900,201,13x.x1	Screw, Hex Head
A25	900,301,73x.x1	Screw, Tap 1/4-20x1" Type F
A26	800,303,15x.x1	Screw, Phil Pan #8-18x3/4"
A27	800,303,18x.x1	Screw, Truss Type 23 #8-32x1/2
A28	900,301,94x.x1	Screw, Phil Flat 23B #10-32x1/2"
A29	900,201,44x.x1	Screw, Machine Brass #6-32x1/4"
A30	900,301,99x.x1	Screw, Plastic 8-hi/low x 1 1/4
A31	900,301,55x.x1	Screw, Phil Pan Swage Form #8-32x1/2"
A32	900,303,08x.x1	Screw, Hex Washer Type 1 #8-32x3/8"
A34	800,303,22x.x1	Screw, Phil Pan #6-20x3/8
A35	900,302,02x.x1	Screw, Self Tapping, #8-18x3/4
A36	900,201,86x.x1	Screw, Phil Pan Head #6-32x1/4"
B1	900,800,65x.x1	Keps Nut, #10 - 32
B2	900,800,67x.x1	Keps Nut, 1/4 - 20
B3	900,800,50x.x1	Keps Nut, #8 - 32
B4	900,800,69x.x1	Keps Nut, Top Door Hinge, 3/8 - 16
B5	900,800,85x.x1	Speed Nut
B6	900,800,49x.x1	Keps Nut, #6 - 32
B7	900,800,51x.x1	Elastic Stop Nut, #8 - 32
B8	900,800,81x.x1	Hex Nut 8-32
B9	900,902,37x.x1	Push Nut, Acorn Type
B10	900,801,02x.x1	Hex Nut 5/16-18



WASHERS, BOLTS, & MISC. HARDWARE

ITEM	PART NUMBER	PART NAME AND DESCRIPTION
C1	900,700,60x.x1	Washer, Delrin .040 Thick 3/8"IDx5/8"OD
C2	901,303,77x.x1	Washer, Door Hinge
C3	All Styles	Washer, Flat #2949 (T-Handle)
C4	901,503,08x.x1	Washer, Hex #29-34 (T-Handle)
C5	900,700,36x.x1	Lockwasher, Split 3/8"
C6	900,700,89x.x1	Lockwasher, Shakeproof 5/8" (1132-00-00-0551)
C7	900,700,02x.x1	Steel Washer, 18 Gauge (1/2"x3/16")
C8	900,700,62x.x1	Washer, Shakeproof (4610-16-01-0551)
C9	900,700,12x.x1	Washer, Flat .030 thick (.188"IDx.5"OD)
C10	900,700,83x.x1	Washer, Flat 18 Gauge (17/64"IDx5/8"OD)
C11	900,700,08x.x1	Washer, Flat 14 Gauge (5/16"-3/8"x7/8")
C12	801,902,48x.x1	Nylon Spacer
D1	900,400,43x.x1	T-Bolt, #8 - 32 x 1" (obsolete)
D2	900,400,41x.x1	T-Bolt, #8 - 32 x 1 3/8"
D3	900,400,35x.x1	T-Bolt, #8 - 32 x 3/4"
D4	900,400,45x.x1	T-Bolt, #8 - 32 x 1/2"
E1	900,400,44x.x1	Refrigeration Bolt, 3/8 - 16 x 1"
E2	900,201,17x.x1	Carriage Bolt, 1/4 - 20 x 1"
E3	900,201,23x.x1	Carriage Bolt, 1/4 - 20 x 1 1/4"
E4	900,201,45x.x1	Carriage Bolt, 1/4 - 20 x 1/2"
E5	900,201,54x.x1	Carriage Bolt, 1/4 - 20 x 3/8"
E6	900,201,56x.x1	Carriage Bolt, 1/4 - 20 x 3/4"
E7	900,303,12x.x1	Carriage Bolt, 1/4-20x5/8" (obsolete)
E8	900,201,85x.x1	Carriage Bolt, 5/16x18x1 1/4" Top Hinge (drop in)
E9	800,303,19x.x1	Carriage Bolt, 1/4-20x5/8"
F1	901,100,43x.x1	Pop Rivet, Aluminum 1/4"
F2	901,100,44x.x1	Drive Rivet, #38-108-06-13 1/4" dia.
F4	901,100,54x.x1	Pop Rivet, Black 1/8"
F5	901,100,61x.x1	Pop Rivet, Steel (Zinc Plated) 1/8"
F6	901,100,53x.x1	Pop Rivet, Aluminum 1/8"
F7	901,100,60x.x1	Pop Rivet, Steel (Zinc Plated) 3/16"
H1	900,902,13x.x1	Christmas Tree Clip #354280307-00
H2	900,901,89x.x1	Tinnerman Clip, Fan Shroud (C5207-014-3B)
H3	900,401,09x.x1	Grommet, Bk. Rubber #97
H4	901,503,07x.x1	E-Ring #31-30
H5	900,900,90x.x1	Retainer, Roller Pin
H6	900,902,18x.x1	Tinnerman Clip
H7	801,807,01x.x1	Hole Plug, Snap in - 1 1/4
H8	901,806,77x.x1	Grommet, Admiral #B53351
H9	902,100,29x.x1	Silencer
I1	804,601,45x.x1	#6 Terminal Ring Crimp 16-14 AWG
I2	801,902,48x.x1	Nylon Spacer used on Coke D/O Boards
I3	801,809,12x.x1	Velcro Blocks
I4	801,807,49x.x1	Vender Defender Clamp
I5	901,901,89x.x1	Clamp, Cable 1" Heyco 3390
I6	900,901,79x.x1	Clamp, Nylon 5/16" Black Heyco 3355 or Dennison 10159

I7	900,901,80x.x1	Clamp, Nylon 1/2" Heyco 3328
----	----------------	------------------------------

ITEM	PART NUMBER	PART NAME AND DESCRIPTION
I8	901,901,06x.x1	Hand Tie, 5.5"
I9	901,902,01x.x1	Wire Tie, 7 1/2"
I10	901,901,00x.x1	Wire Ties, 4"
I11	901,900,55x.x1	Clamp, Nylon 3/4" Heyco 3382BL
I12	901,902,83x.x1	Cable Tie, 5.5"
I13	900,902,14x.x1	Canoe Clip #254-090-301-00-0108