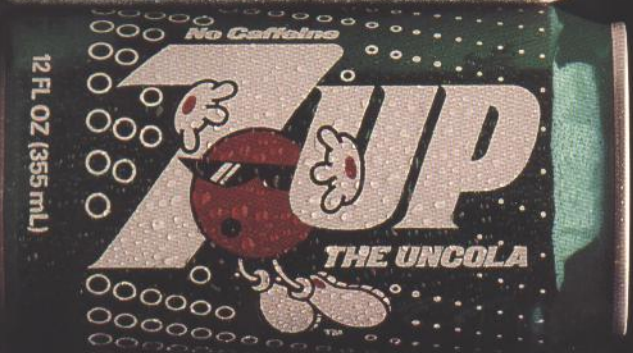
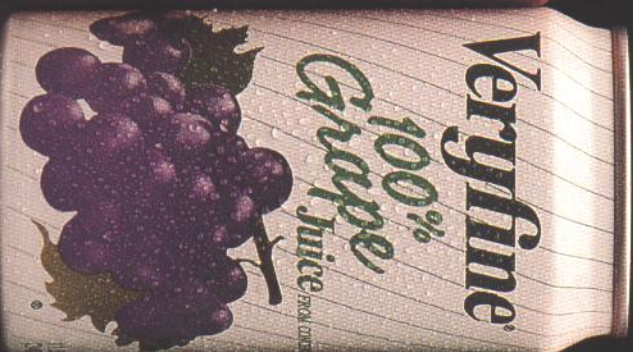
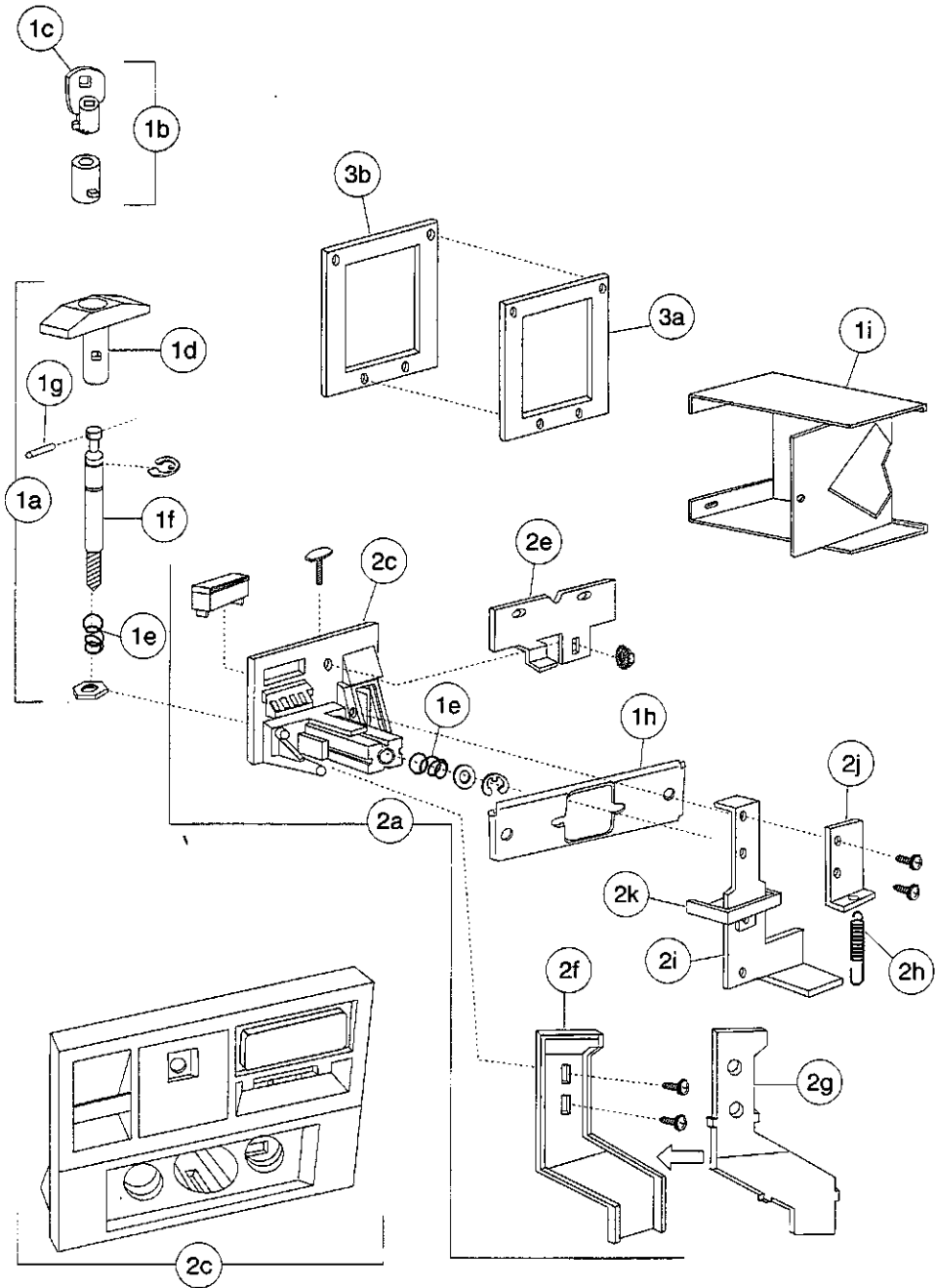


The Parts Book



Pull-Out Handle & Coin Insert

Can Display



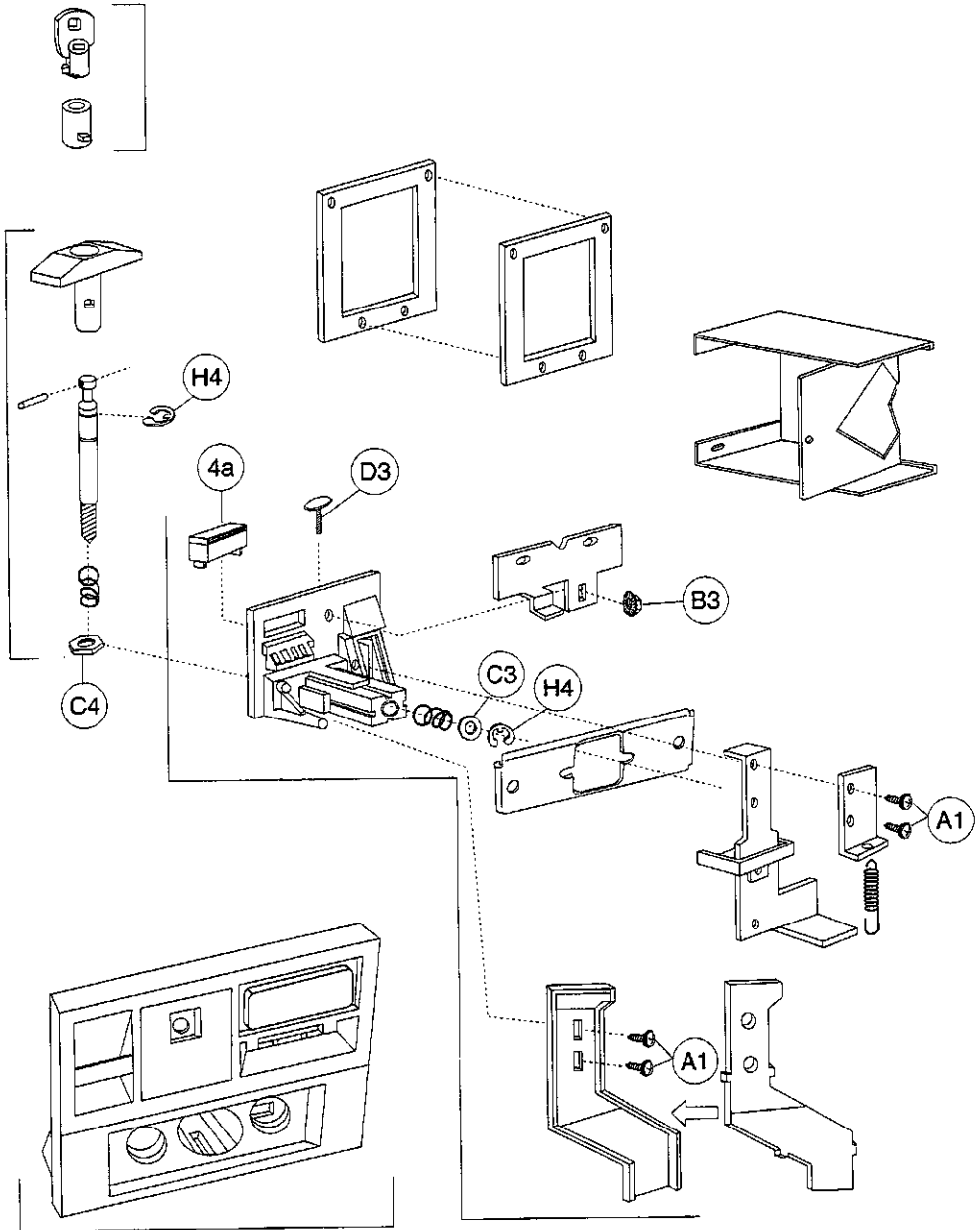
Can Display

Item	Part Number	Part Name And Description By Model Number
1a		T-Handle Assembly
	801,503,040.01	360/368/501
	801,502,850.01	180
1b		Lock with Two Keys
	Specify Key No.	All Models
1c		Key Only
	Specify Key No.	All Models
1d		Handle Only
	801,505,730.01	All Models
1e		Spring
	901,503,050.01	All Models
1f		Stud (4255-6-71)
	801,505,260.01	All Models
1g		Cross Pin
	901,503,090.11	All Models
1h		Back Up Plate "T" Handle
	455,050,260.13	180
1i		T-Handle Brace
	267,050,191.93	180
2a		Coin Insert Assembly (w/out T-Handle)
	480,150,500.03	Domestic (USA & Canada) - 360/368/501
	565,150,000.03	Domestic SII (USA & Canada) - 360/368/501
	480,450,500.03	Export, Large Coin (All Others Except Listed Below) - 360/368/501
	480,750,500.03	Export SII, Large Coin Argentina - 360/368/501
	480,650,500.03	Argentina, Token - 360/368/501
2b		Coin Insert Assembly (Not Shown)
	543,050,800.03	Domestic, DNCB Flat Style - 180
2c		Coin Insert
	801,201,180.71	Domestic (USA & Canada) - 360/368/501
	801,201,400.21	Domestic SII (USA & Canada) - 360/368/501
	801,201,290.41	Export, Large Coin (All Others Except Listed Below) - 360/368/501
	801,201,450.11	Export SII, Large Coin (All Others Except Listed Below) - 360/368/501
	801,201,350.21	Argentina, Token - 360/368/501
2d		Coin Insert (Not Shown)
	801,200,920.91	Domestic, DNCB Flat Style - 180
2e		Coin Insert Retainer NON SII
	453,050,130.83	360/368/501
	143,051,220.93	180
2f		Coin Chute Cover
	801,805,800.61	360/368/501
	801,805,380.11	180
2g		Coin Chute
	801,805,791.21	360/368/501
	801,805,370.31	180
2h		Spring Extension, Coin Return
	901,700,630.11	All Models
2i		Coin Return Plunger Assembly
	453,050,800.03	360/368/501
	801,303,610.51	180
2j		Plunger Bracket, Coin Insert
	432,050,570.33	360/368/501
	208,050,121.03	Plunger Retainer Plate 180
2k		Drip Chute, Short
	801,806,080.01	360/368/501
	801,805,270.51	180
3a		Validator Filler Plate
	360,050,720.53	All Models
3b		Gasket, Validator - Black
	902,001,020.11	All Models

Continued next page

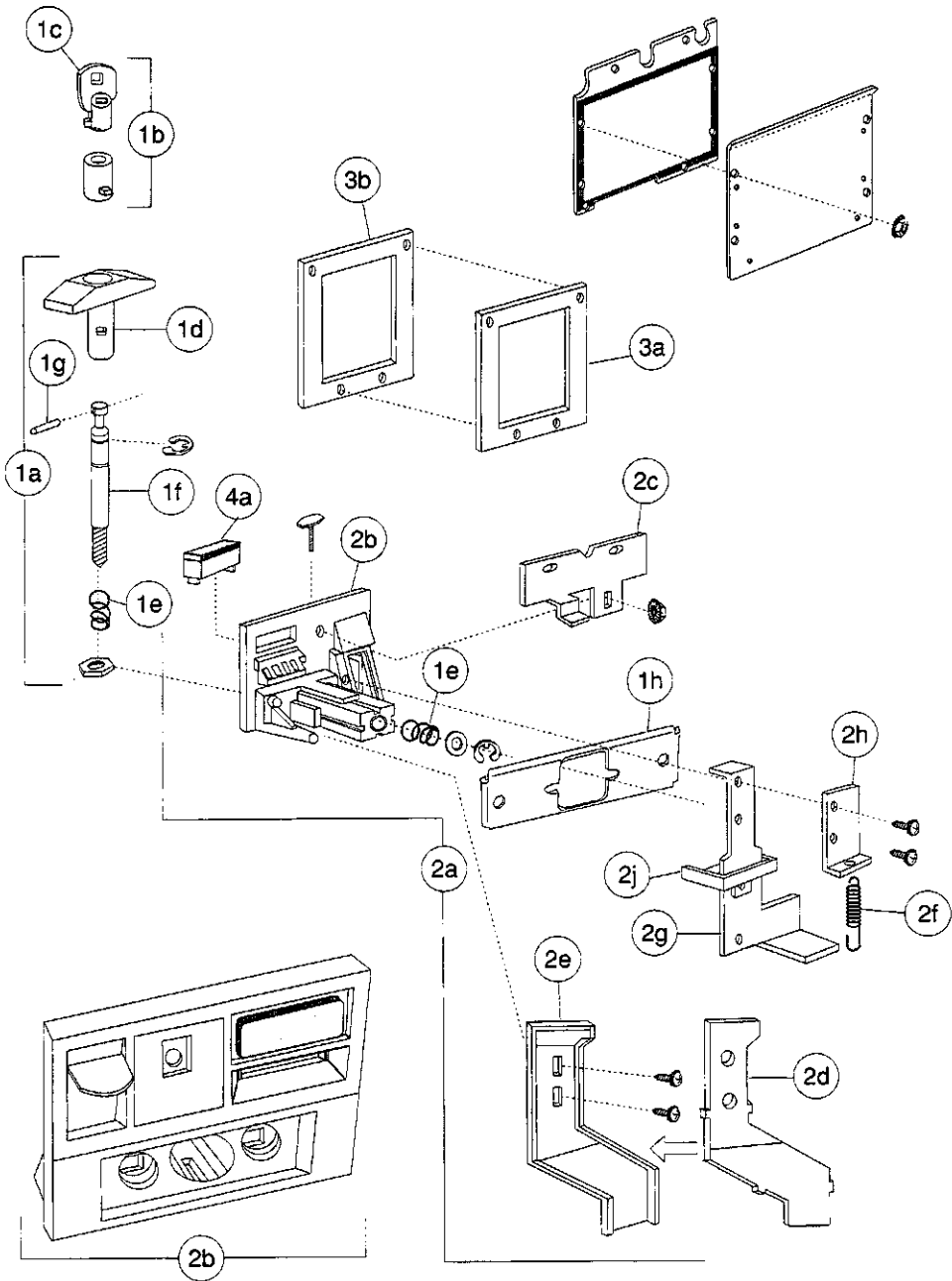
Pull-Out Handle & Coin Insert

Can Display



Pull-Out Handle & Coin Insert

Cold Drink FLS, Dr Pepper (D3), Generic Round, Veryfine Circular, Veryfine/RC Inverted "L" Circular



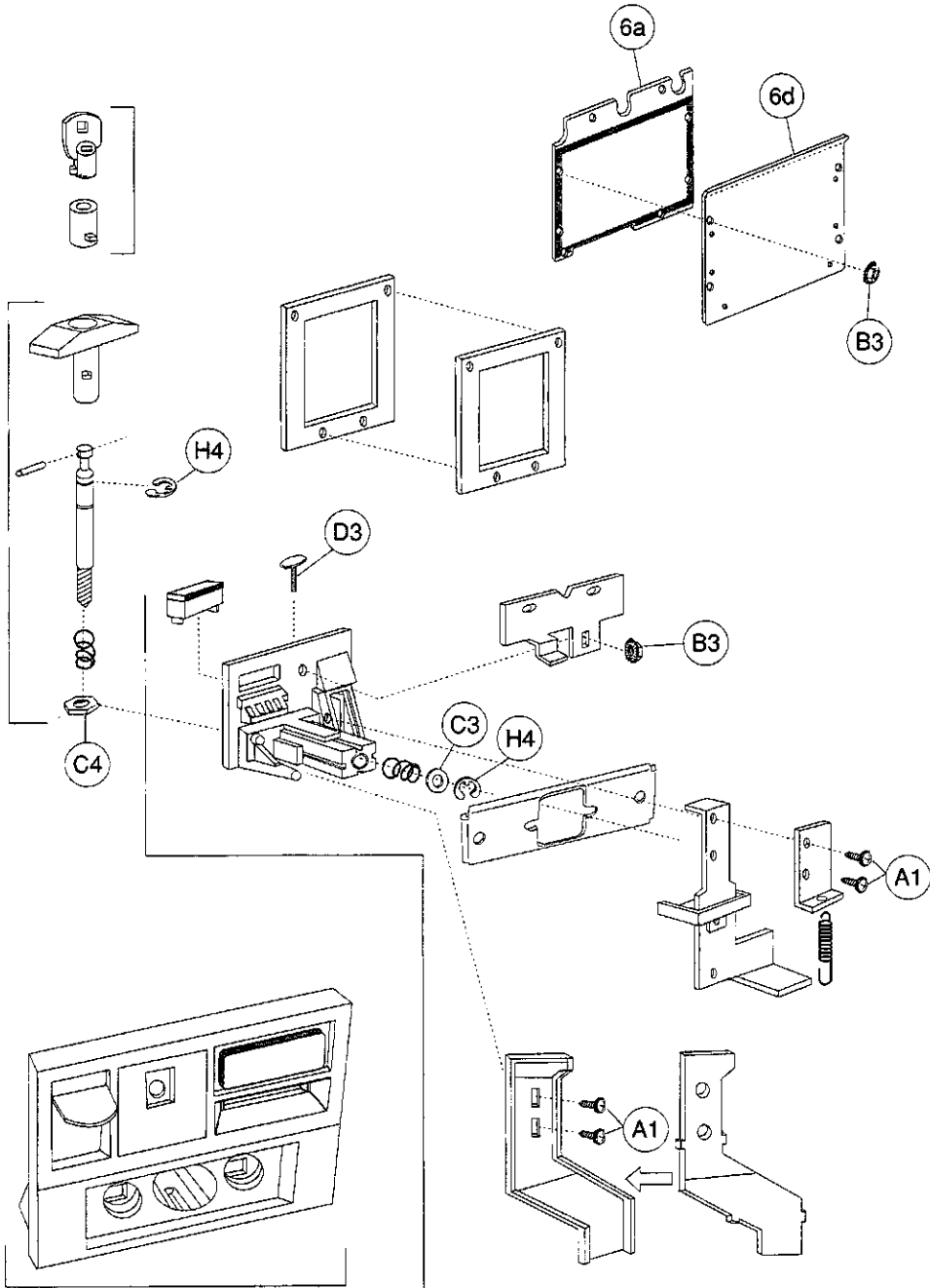
**Cold Drink FLS, Dr Pepper (D3), Generic Round,
Veryfine Circular, Veryfine/RC Inverted "L" Circular**

Item	Part Number	Part Name And Description By Model Number
1a		T-Handle Assembly
	801,503,040.01	All Models
1b		Lock with Two Keys
	Specify Key No.	All Models
1c		Key Only
	Specify Key No.	All Models
1d		Handle Only
	801,505,730.01	All Models
1e		Spring
	901,503,050.01	All Models
1f		Stud (4255-6-44W)
	801,505,290.01	All Models
1g		Cross Pin
	901,503,090.11	All Models
1h		Back Up Plate "T" Handle
	455,050,260.13	All Models
2a		Coin Insert Assembly W/Out T-Handle
	480,150,500.03	Domestic (USA & Canada) - All Models
	565,150,000.03	Domestic SII (USA & Canada) - All Models
	480,450,500.03	Export, Large Coin (All Others Except Listed Below) - All Models
	480,750,500.03	Export SII, Large Coin (All Others Except Listed Below) - All Models
	480,650,500.03	Argentina, Token - All Models
2b		Coin Insert
	801,201,180.61	Domestic (USA & Canada) - All Models
	801,201,400.11	Domestic SII (USA & Canada) - All Models
	801,201,290.31	Export, Large Coin (All Others Except Listed Below) - All Models
	801,201,450.01	Export SII, Large Coin (All Others Except Listed Below) - All Models
	801,201,350.11	Argentina, Token - All Models
2c		Coin Insert Retainer
	453,050,130.83	All Models
2d		Coin Chute Cover
	801,805,800.61	All Models
2e		Coin Chute
	801,805,791.21	All Models
2f		Spring Extension
	901,700,630.11	All Models
2g		Coin Return Plunger Assembly
	453,050,800.03	All Models
2h		Plunger Bracket
	432,050,570.33	All Models Except FLS
	453,050,800.03	FLS Models Only
2j		Drip Chute
	801,806,080.01	All Models
3a		Validator Plate
	360,050,720.53	All Models
3b		Gasket Validator Black
	902,001,020.11	All Models
4a		Correct Change Lamp (NON MPC & NON SII)
	904,700,180.31	English "Use Correct Change"
	804,700,500.01	English, IEC Standard "Use Correct Change"
	804,700,440.31	Spanish "Importe Exacto"
	804,700,450.21	French "Faites L'Appoint"
	804,700,400.21	Italian "Usare Monete Contate"
	804,700,470.21	Arabic "Lutfen Para Atiniz"
	804,700,480.21	German "Abgezahites Geld Verwenden"
	904,700,490.11	Portuguese "Introduza Quantia Exacta"
	904,700,280.01	Export Correct Change
	804,700,560.11	Hebrew

Continued next page

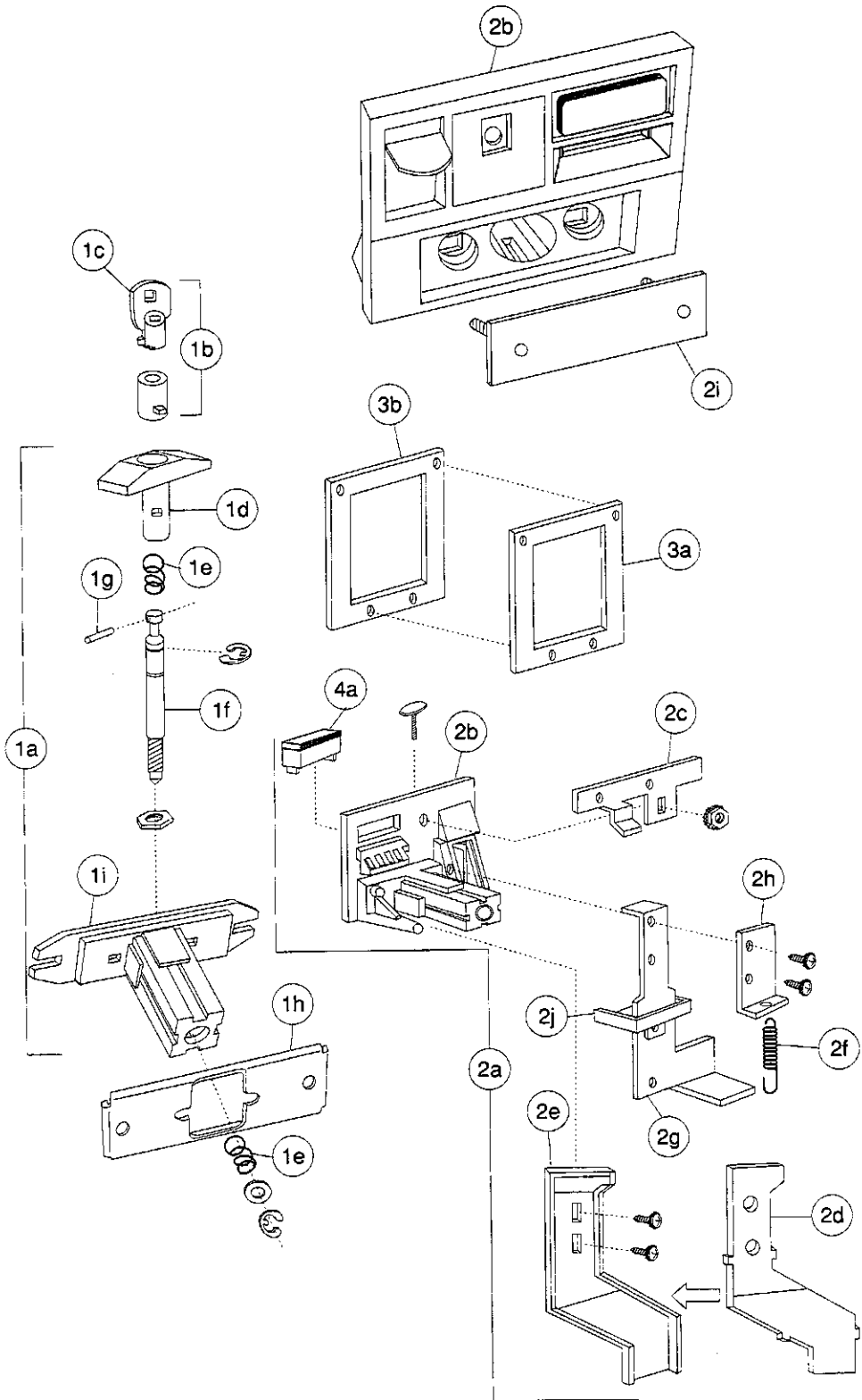
Pull-Out Handle & Coin Insert

Cold Drink FLS, Dr Pepper (D3), Generic Round, Veryfine Circular, Veryfine/RC Inverted "L" Circular



Pull-Out Handle & Coin Insert

7Up (B7)



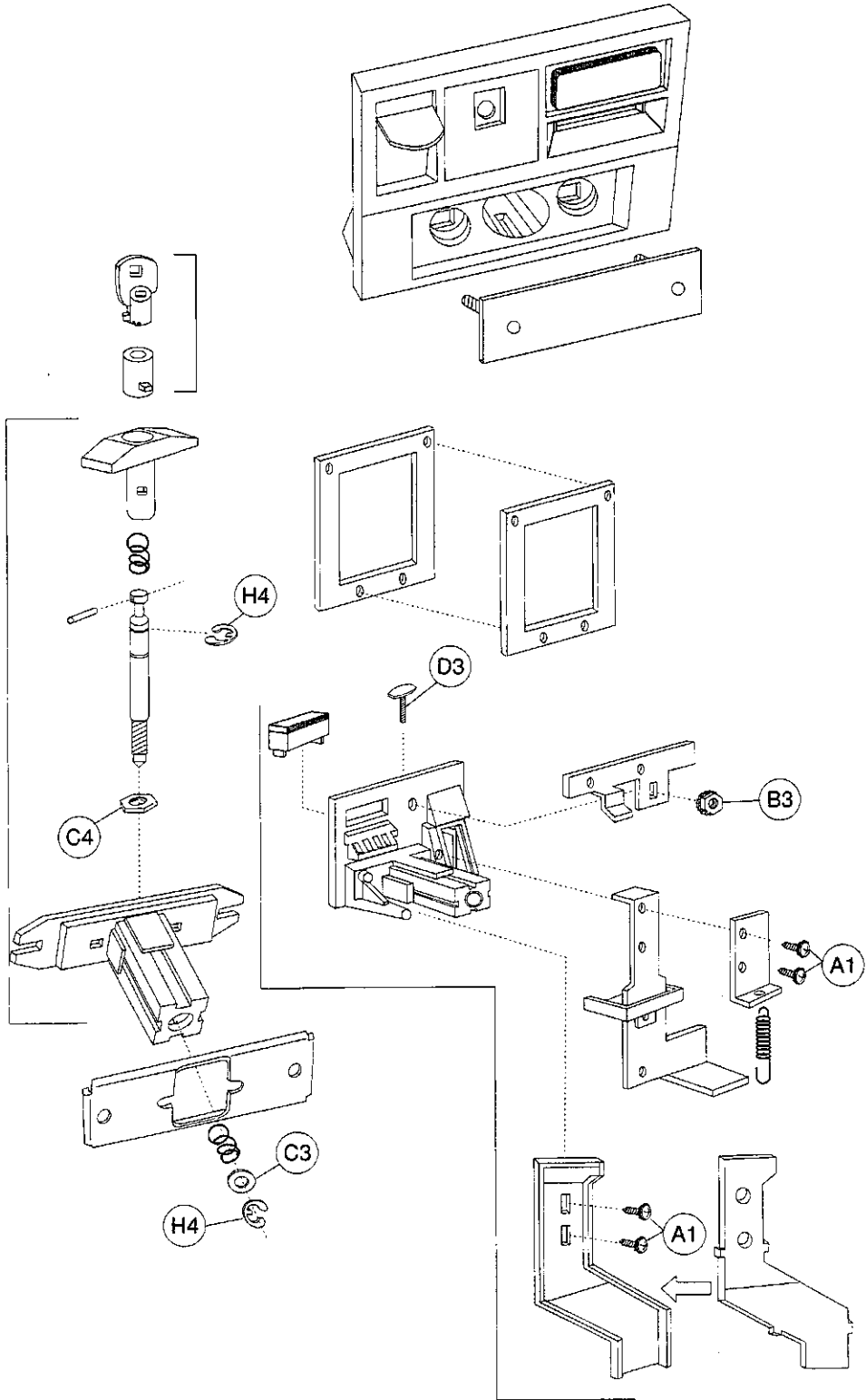
7Up (B7)

Item	Part Number	Part Name And Description By Model Number
1a		T-Handle Assembly, Black
	801,503,180.01	All Models
1b		Lock with Two Keys
	Specify Key No.	All Models
1c		Key Only
	Specify Key No.	All Models
1d		Handle Only
	801,507,010.01	7UP (Black)
1e		Spring
	901,503,050.01	All Models
1f		Stud (4255-6-44W)
	801,505,290.01	All Models
1g		Cross Pin
	901,503,090.11	All Models
1h		Back Up Plate "T" Handle
	455,050,260.13	All Models
1i		T-Handle Body
	801,505,280.01	All Models
2a		Coin Insert Assembly W/Out T-Handle
	455,050,400.03	Domestic (USA & Canada) - All Models
	565,150,000.03	Domestic SII (USA & Canada) - All Models
	480,450,500.03	Export, Large Coin (All Others Except Listed Below) - All Models
	480,750,500.03	Export SII, Large Coin (All Others Except Listed Below) - All Models
2b	480,650,500.03	Argentina, Token - All Models
		Coin Insert
	801,201,180.61	Domestic (USA & Canada) - All Models
	801,201,400.11	Domestic SII (USA & Canada) - All Models
	801,201,290.31	Export, Large Coin (All Others Except Listed Below) - All Models
2c	801,201,450.01	Export SII, Large Coin (All Others Except Listed Below) - All Models
	801,201,350.11	Argentina, Token - All Models
		Coin Insert Retainer
2d	453,050,130.83	All Models
		Coin Chute Cover
2e	801,805,800.61	All Models
		Coin Chute
2f	801,805,791.21	All Models
		Spring Extension
2g	901,700,630.11	All Models
		Coin Return Plunger Assembly
2h	453,050,800.03	All Models
		Plunger Bracket
2i	432,050,570.33	All Models
		Coin Insert "T" Handle Cover Plate
2j	459,050,080.01	All Models
		Drip Chute, Short
3a	801,806,080.01	All Models
		Validator Plate
3b	455,010,050.13	All Models
		Gasket Validator Black
4a	902,001,020.11	All Models
		Correct Change Lamp (NON MPC & NON SII)
	904,700,180.31	English "Use Correct Change"
	904,700,500.11	English, IEC Standard "Use Correct Change"
	804,700,440.31	Spanish "Importe Exacto"
	804,700,450.21	French "Faites L'Appoint"
	804,700,400.21	Italian "Usare Monete Contate"
	804,700,470.21	Arabic "Luffen Para Atiniz"
	804,700,480.31	German "Abgezahlttes Geld Verwendend"
	904,700,490.21	Portuguese "Introduza Quantia Exacta"
	804,700,560.01	Hebrew
904,700,280.01	Export Correct Change	

Continued next page

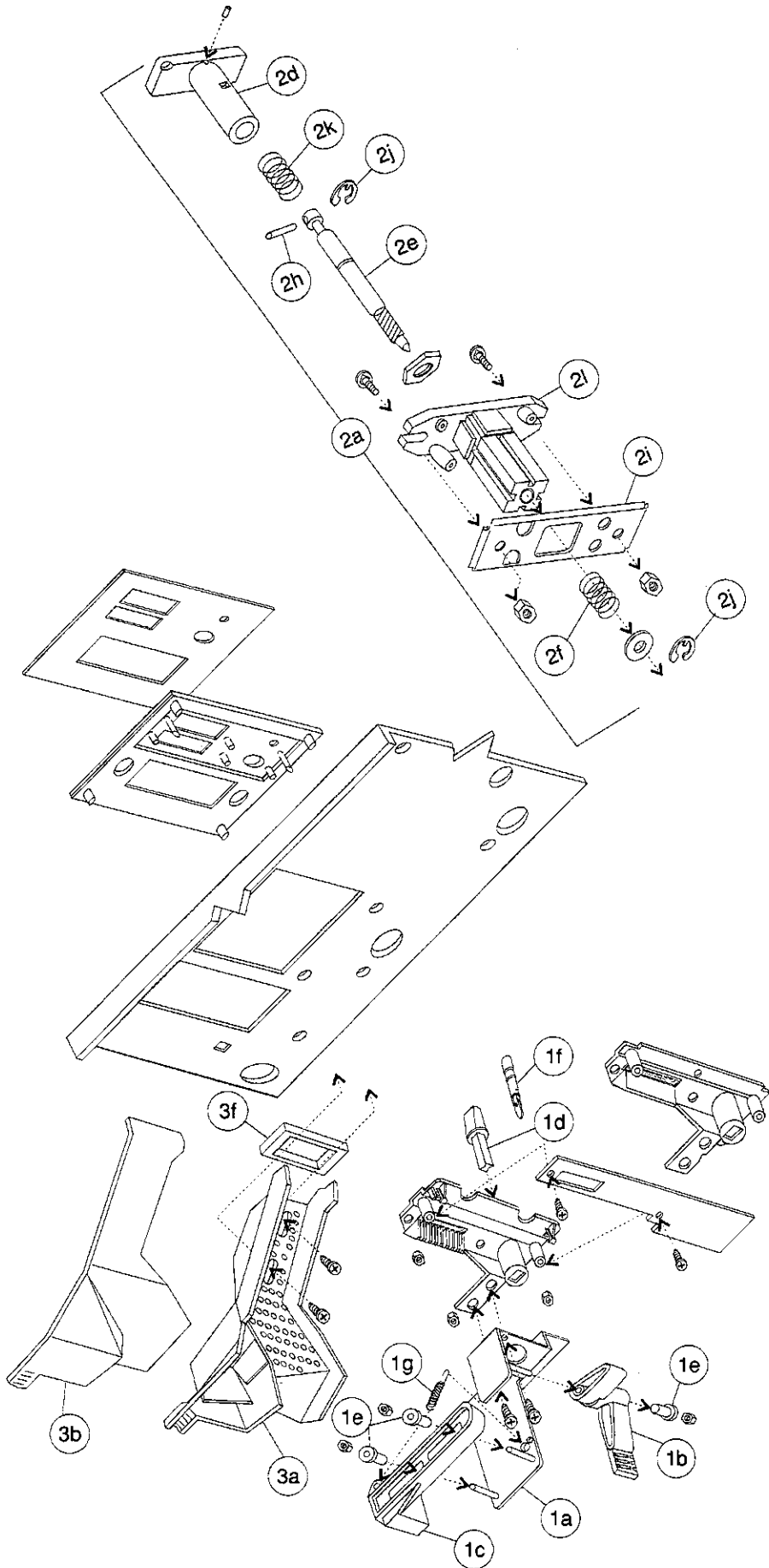
Pull-Out Handle & Coin Insert

7Up (B7)



Pull-Out Handle & Coin Insert

7Up (B7) VRV



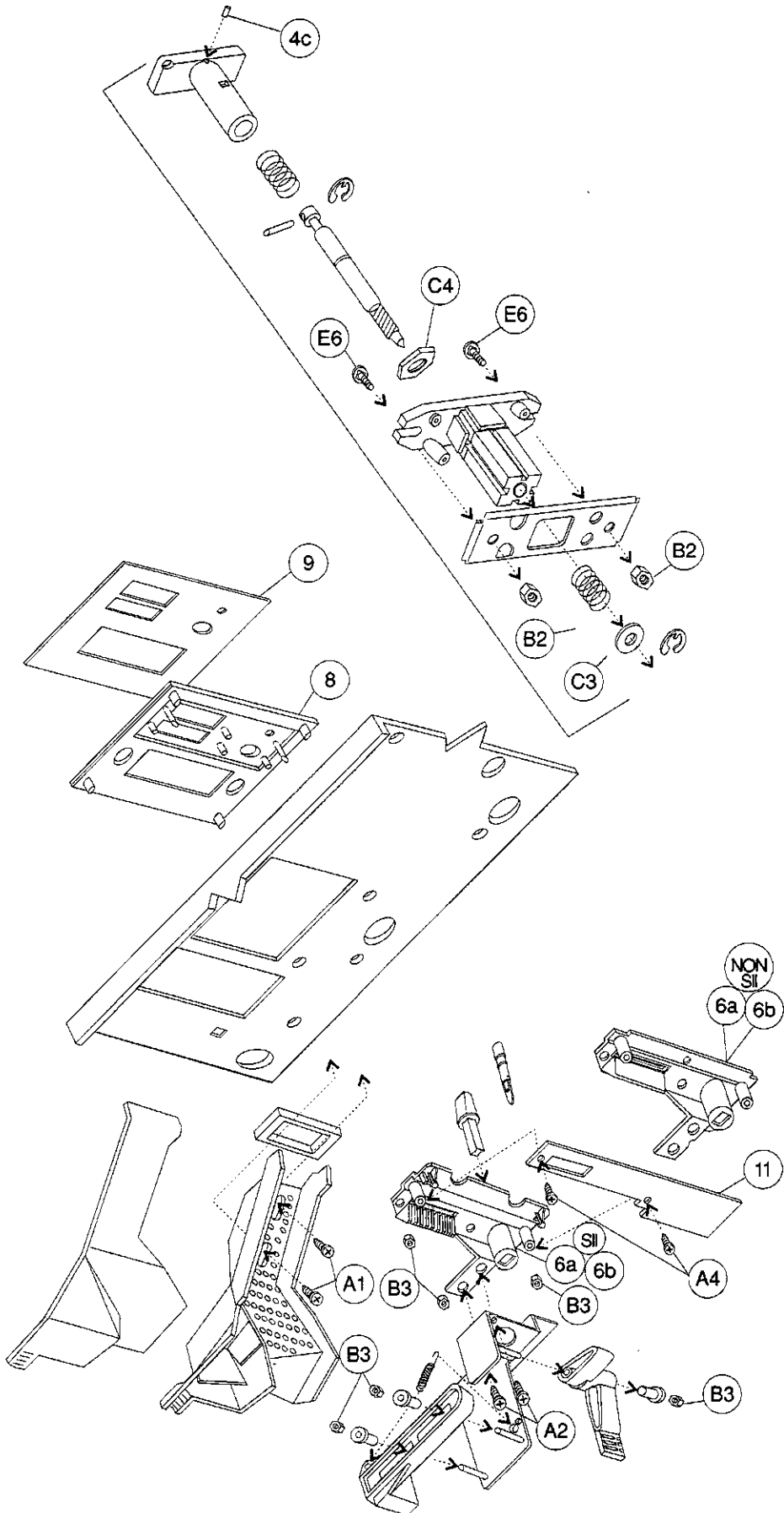
7Up (B7) VRV

Item	Part Number	Part Name And Description By Model Number
1		Assembly, Sub Coin Return VRV & VRV SII
	462,250,600.03	All Models
1a		Assembly, Coin Return Mounting Bracket and Stud VRV SII
	572,053,100.03	All Models
1b		Bell Crank, Coin Return VRV (makes contact with push button)
	801,807,260.11	All Models
1c		Actuator, Coin Return VRV (makes contact with changer reject arm)
	801,807,240.21	All Models
1d		Push Button, Coin Return VRV
	801,807,250.31	All Models
1e		Metal Shoulder Bushing VRV (for bell crank/actuator)
	905,300,350.01	All Models
1f		Use Correct Change Light VRV, 125 VAC (All NON MPC & NON SII)
	804,700,540.21	All Models
1g		Extension Spring, Coin Return
	901,700,630.11	All Models
2a		Assembly, Flush Mount T-Handle VRV
	801,512,100.01	All Models
2b		Lock with Two Keys
	Specify Key No.	All Models
2c		Key Only
	Specify Key No.	All Models
2d		T-Handle Only, Flush Mount - Black VRV
	801,512,000.01	All Models
2e		Stud, Flush Mount Lock VRV
	801,514,750.01	All Models
2f		Spring T-Handle
	901,503,050.01	All Models
2h		Cross Pin, T-Handle
	901,503,090.11	All Models
2i		Retainer, High Security Flange VRV (back up plate)
	572,000,010.13	All Models
2j		External Retaining Ring
	801,507,340.11	All Models
2k		Spring, Flush Mount T-Handle VRV
	901,508,180.01	All Models
2l		T-Handle Body, Flush Mount
	801,508,160.11	All Models
2m		Assembly, Plate - Handle Back up (Not Shown)
	462,051,130.03	All Models
3		Vender Defender Kit VRV
	491,540,700.23	All Models
3a		Vender Defender Bottom and Screen VRV
	801,807,470.11	All Models
3b		Vender Defender, Top Cover VRV
	801,807,480.11	All Models
3c		Vender Defender, Clip VRV
	801,807,490.01	All Models
3d		Vender Defender, Drain Hose VRV
	801,807,500.01	All Models
3e		Vender Defender, Instruction Package VRV
	801,807,510.01	All Models
3f		Vender Defender Gasket
	801,808,110.01	All Models
4		Assy., Lock Security Parts & Instructions Bag VRV
	572,052,500.04	All Models
4a		Envelope, Parts/Instruction VRV
	905,406,890.11	All Models
4b		Allen Key, 1/16" Hex VRV
	800,101,150.01	All Models

Continued next page

Pull-Out Handle & Coin Insert

7Up (B7) VRV



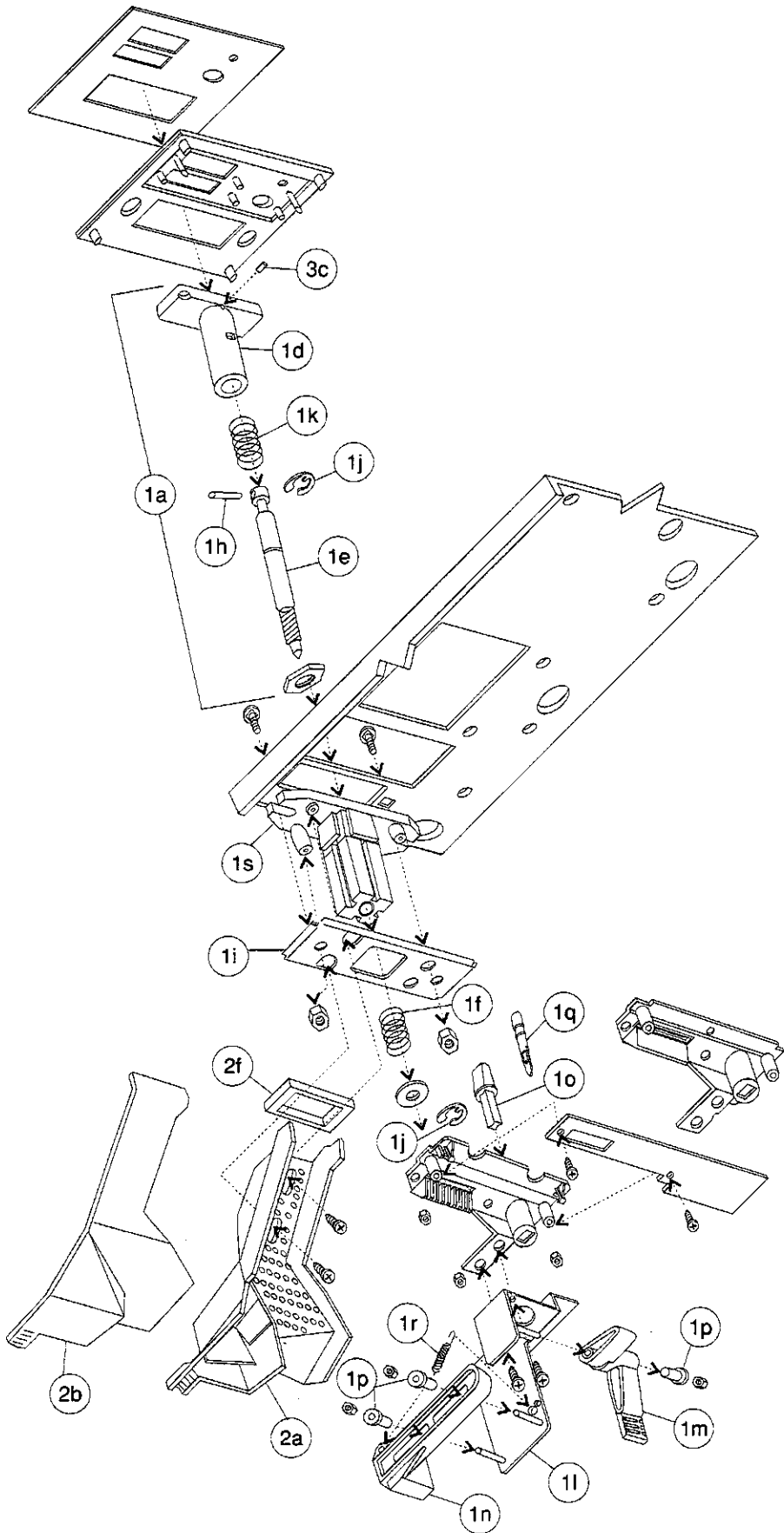
7Up (B7) VRV

Item	Part Number	Part Name And Description By Model Number
4c		Set Screw, Plug Lock VRV
	901,508,170.11	All Models
5a		Validator Filler Plate
	360,050,720.53	All Models
5b		Gasket Validator Black
	902,001,020.11	All Models
6a		Coin Insert Mounting Geometry Domestic
	801,807,690.21	VRV NON SII
	801,807,710.21	VRV SII
6b		Coin Insert Mounting Geometry Large Coin
	801,807,700.21	VRV NON SII
	801,807,720.11	VRV SII
7		Price Decal Sheet VRV, MPC, & SII
	903,828,820.01	All Models
8		Assembly, Coin Insert Plate and Stud
	461,151,100.13	VRV NON SII
	461,150,800.13	VRV SII
9		Coin Insert Decal
	903,837,670.01	VRV NON SII
	803,837,660.01	VRV SII
10		Bill Validator Door
	572,050,170.43	VRV
11		Display Board Assembly
	804,907,010.51	VRV SII
12a		SII Control Box
	804,906,680.91	All Models
12b		MPC Control Board
	804,903,250.21	All Models
A4	900,301,500.01	Screw, Phil Pan w/out washer #8-18 x 1/2"
A2	900,301,640.21	Screw, Phil Pan Swage Form w/washer #8-32 x 1/2"
E6	900,201,560.01	Carriage Bolt 1/4-20 x 3/4"
B2	900,800,670.01	Keps Nut, 1/4-20
H4	901,503,070.01	E Ring #31-5
C3	901,503,060.01	Flat Washer #2949
C4	901,503,080.11	Hex Washer #29-34
A1	900,301,700.11	Phil Pan Swage Form Screw, #6-32 x 3/8"
B3	900,800,500.01	Keps Nut #8-32
D3	900,400,350.41	T-Bolt #8-32 x 3/4"
F6	901,100,530.01	Pop Rivet, 1/8"

**When Ordering Parts, Indicate Model # And Serial # Of Vender.
All Parts Numbers And Prices Are Subject To Change Without Notice.**

Pull-Out Handle & Coin Insert

Dr Pepper (D3) VRV



Dr Pepper (D3) VRV

Item	Part Number	Part Name And Description By Model Number
1		Assembly, Sub Coin Return
	572,050,600.33	VRV
	572,052,100.03	VRV SII
1a		Assembly, Flush Mount T-Handle VRV
	801,508,200.11	All Models
1b		Lock with Two Keys
	Specify Key No.	All Models
1c		Key Only
	Specify Key No.	All Models
1d		T-Handle Only, Flush Mount VRV
	801,508,150.11	All Models
1e		Stud, Flush Mount Lock VRV
	801,508,190.11	All Models
1f		Spring, T-Handle
	901,503,050.01	All Models
1h		Cross Pin, T-Handle
	901,503,090.11	All Models
1i		Retainer, High Security Flange VRV (back up plate)
	572,000,010.13	All Models
1j		External Retaining Ring
	801,507,340.11	All Models
1k		Spring, Flush Mount T-Handle VRV
	901,508,180.01	All Models
1l		Assembly, Coin Return Mounting Bracket and Stud VRV
	572,051,600.13	All Models
1m		Bell Crank, Coin Return VRV (makes contact with push button)
	801,807,260.11	All Models
1n		Actuator, Coin Return VRV (makes contact with changer reject arm)
	801,807,240.21	All Models
1o		Push Button, Coin Return VRV
	801,807,250.31	All Models
1p		Metal Shoulder Bushing VRV (for bell crank/actuator)
	905,300,350.01	All Models
1q		Use Correct Change Light VRV, 125VAC (All NON MPC & NON SII)
	804,700,540.21	All Models
1r		Extension Spring, Coin Return
	901,700,630.11	All Models
1s		T-Handle Body, Flush Mount
	801,508,160.11	All Models
2		Vender Defender Kit VRV
	491,540,700.23	All Models
2a		Vender Defender Bottom and Screen VRV
	801,807,470.11	All Models
2b		Vender Defender, Top Cover VRV
	801,807,480.11	All Models
2c		Vender Defender, Clip VRV
	801,807,490.01	All Models
2d		Vender Defender, Drain Hose VRV
	801,807,500.01	All Models
2e		Vender Defender, Instruction Package VRV
	801,807,510.01	All Models
2f		Vender Defender Gasket
	801,808,110.01	All Models
3		Assembly, Lock Security Parts & Instruction Bag VRV
	572,052,500.04	All Models
3a		Envelope, Parts/Instruction VRV
	905,406,890.11	All Models
3b		Allen Key, 1/16" Hex VRV
	800,101,150.01	All Models
3c		Set Screw, Plug Lock VRV
	901,508,170.11	All Models

Continued next page

Pull-Out Handle & Coin Insert

Dr Pepper (D3) VRV

