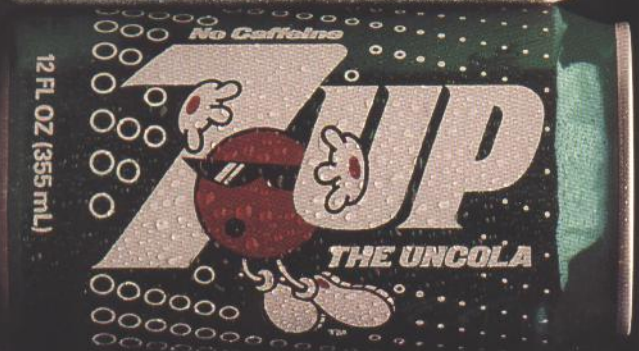
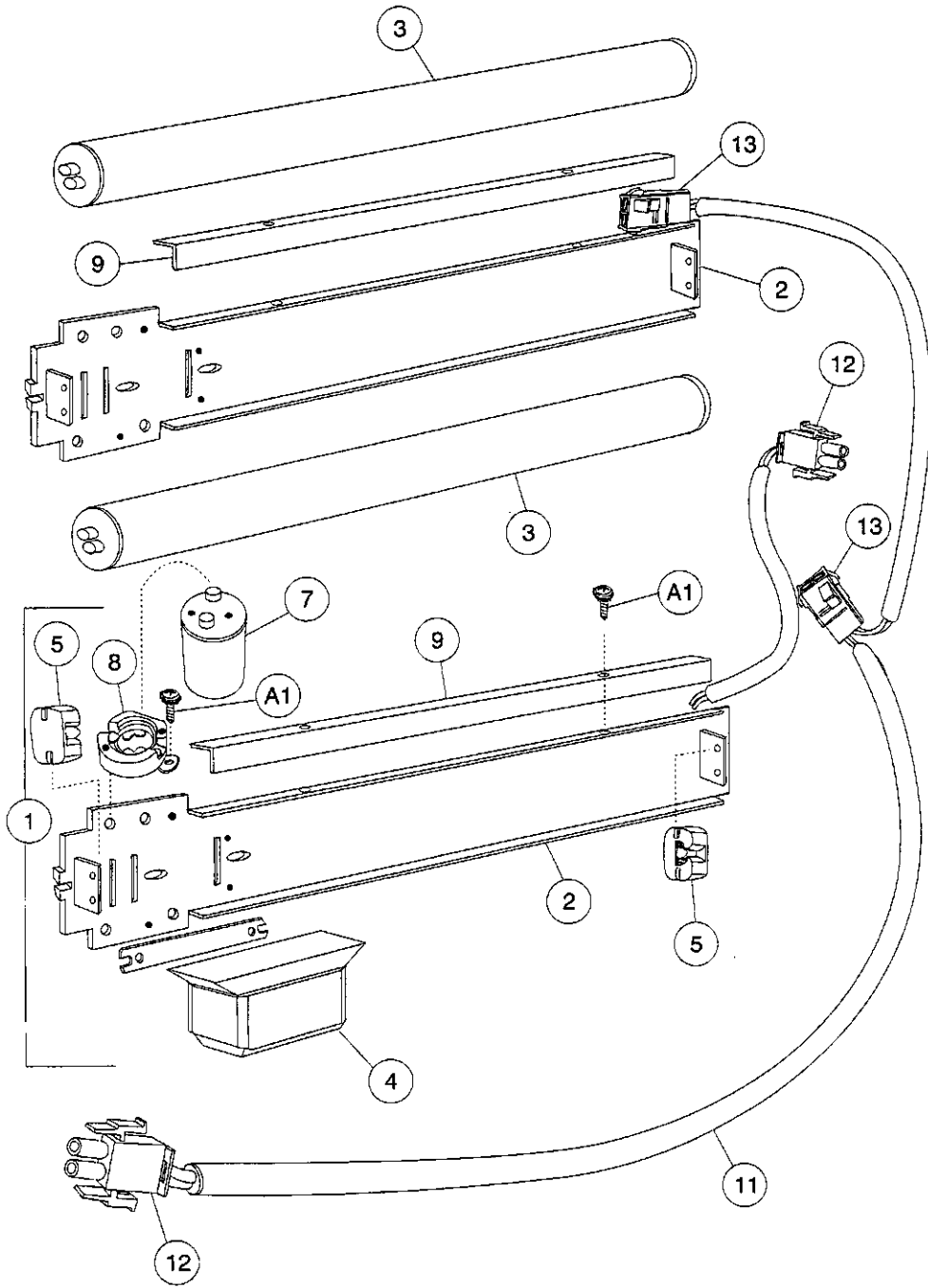


The Parts Book



Can Display



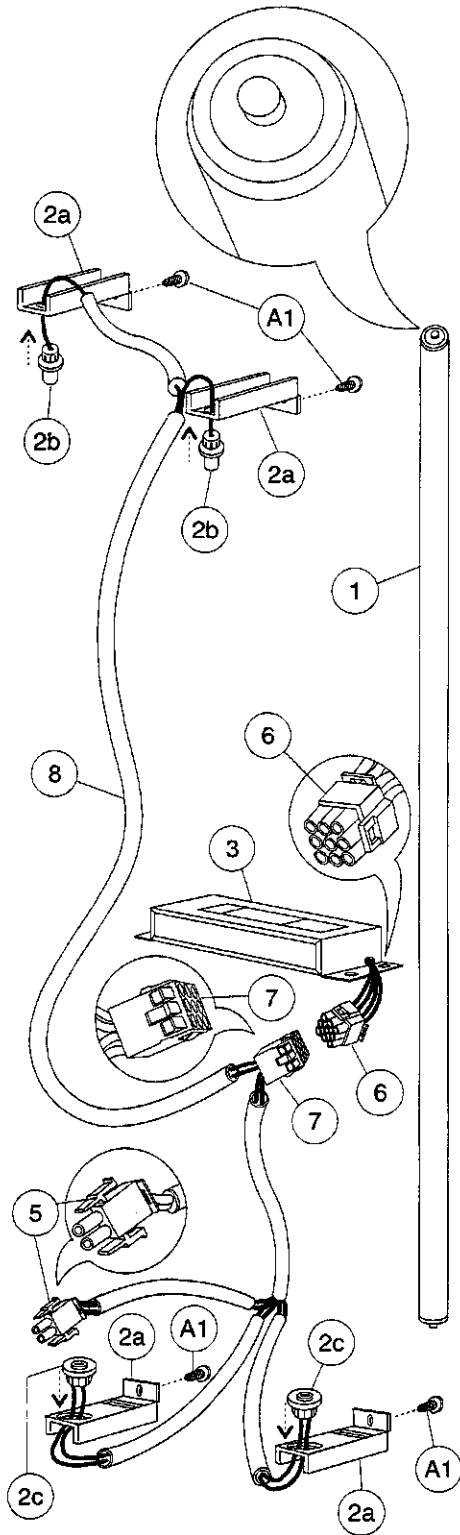
Can Display

Item	Part Number	Part Name And Description By Model Number
1		Assembly, Lamp Panel
	478,050,600.03	360/368/501
	440,050,100.03	180
2		Lamp Panel
	478,050,080.03	360/368/501
	440,050,050.03	180
3		Lamp
	804,700,050.01	F20T12D 24" Daylight 20W - 360/368/501 20 Watts
	804,700,350.01	F12T8 CW 12" - 180 13 Watts
4		Ballast, SP-3
	804,400,100.11	180/360/368/501
5		Lamp Holder
	904,901,230.11	All Models
6		Bracket, Lamp Socket
	267,050,320.33	All Models
7		Starter
	904,800,410.01	FS-25 - All Models
8		Starter Base
	804,908,920.01	All Models
9		Wire Cover
	282,050,060.13	360/368/501
	440,050,070.03	180
10		Harness, Light Lead
	804,904,650.21	360/368/501
	804,905,900.01	180
11		Jumper, Power Lead
	804,904,550.31	All Models
12		Two Way Plug (1-480-698-0)
	904,600,710.01	All Models
13		Two Way Cap (1-480-699-0)
	904,600,700.01	All Models
A1	900,301,700.11	Screw, Phil Pan Swage Form #6 - 32 X 3/8"

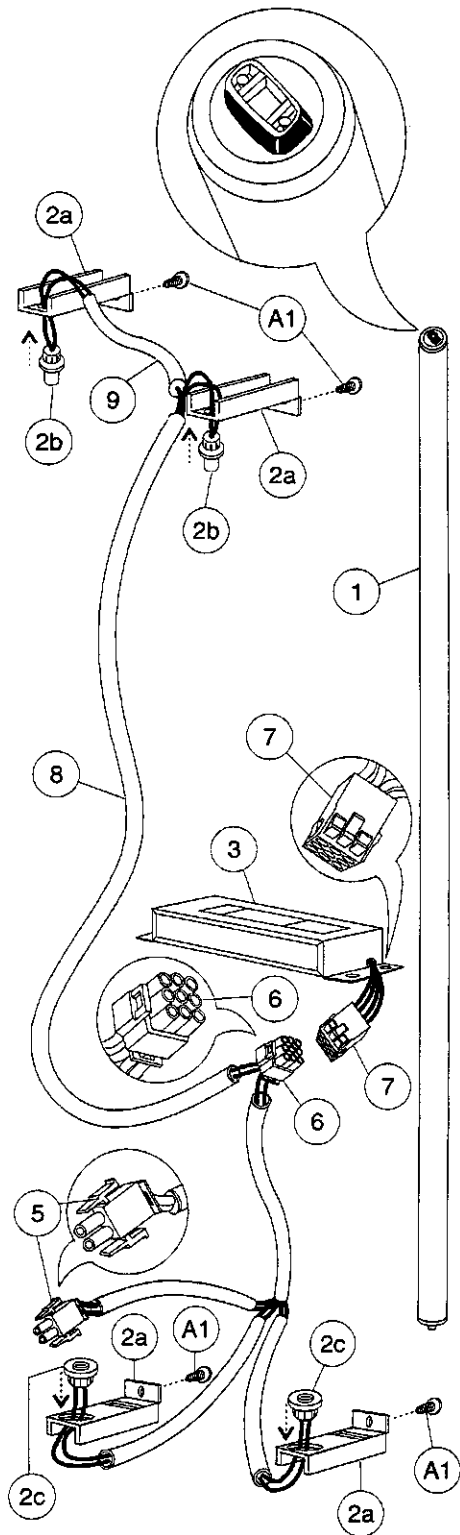
Lighting

Cold Drink FLS, Dr Pepper (D3), Generic Round, 7Up (B7), Veryfine/RC Inverted "L" Circular

SLIMLINE



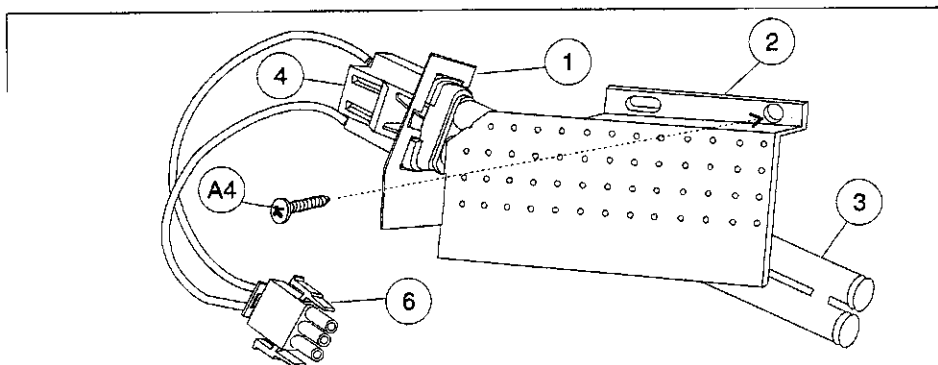
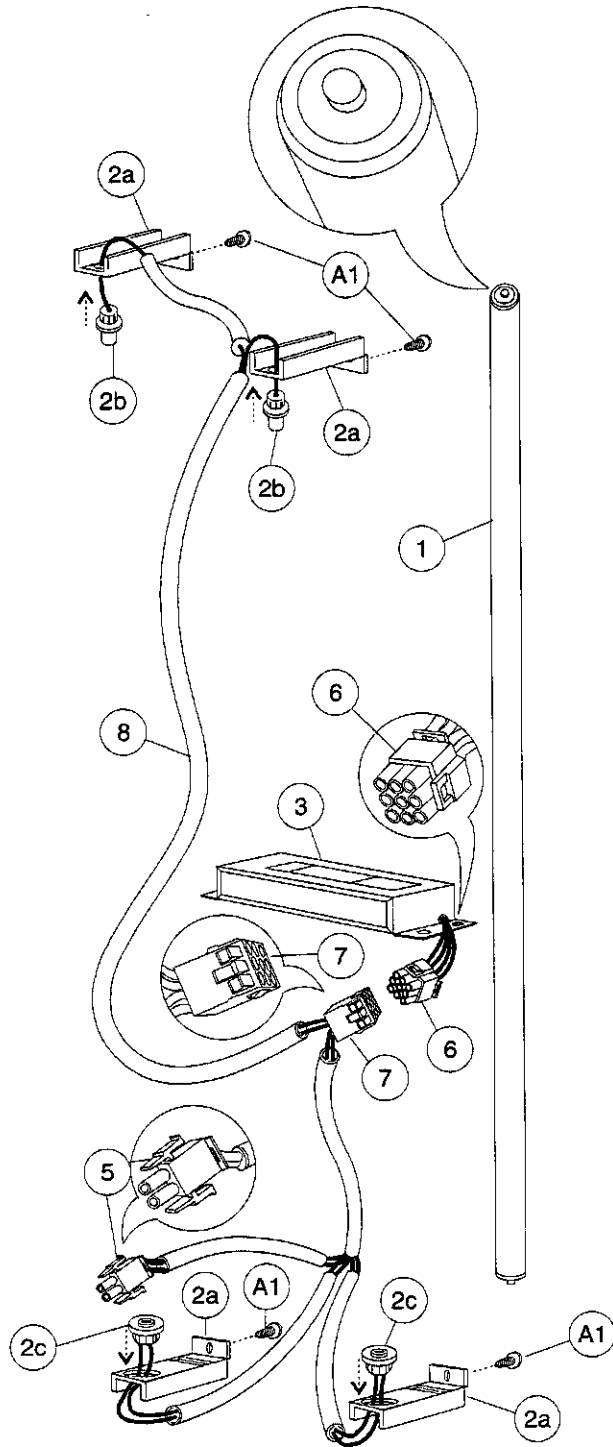
HIGH OUTPUT



Cold Drink FLS, Dr Pepper (D3), Generic Round, 7Up (B7), Veryfine/RC Inverted "L" Circular

Item	Part Number	Part Name And Description By Model Number
SLIMLINE LIGHTING		
1		Fluorescent Bulb
	804,700,310.01	F72T12/DAYLT - 414/432/440/600 56 Watts
	804,700,300.01	F64T12/DAYLT - 276/348/360/368/501 51 Watts
	804,700,330.01	F48 Slimline - 168/180 39 Watts
2a		Door Bracket Lamp Socket
	432,050,380.73	7UP B7, Dr. Pepper D3, Generic Round, Veryfine/RC Inverted "L"
	562,050,040.03	Cold Drink FLS Only
2b		Top Lamp Holders Slimline
	804,902,020.01	Slimline - 516 All Models
2c		Bottom Lamp Holders
	804,902,030.01	Slimline - 517 All Models
3		Plug-In Ballast
	804,400,370.31	Advance Slimline SM2E57 - 276/348/368/414/432/440/501/600
	804,400,390.11	Advance Slimline SM2E40 - 168/180
4		Connector, Electrical (scotchlock 557)
	904,800,520.01	All Models
5		Two Way Plug (1-480-698-0)
	904,600,710.01	All Models
6		Nine Way Plug (1-480-706-0)
	904,600,670.01	All Models
7		Nine Way Cap (1-480-707-0)
	904,600,660.01	All Models
8		Lead, Slimline Output Light Harness (Plug-in ballast)
	804,909,490.01	All Models
HIGH OUTPUT LIGHTING		
1		Fluorescent Bulb
	804,700,360.01	F72T12/D/HO - 414/432/440/600 85 Watts
	804,700,370.01	F64T12/D/HO - 276/348/360/368/501 80 Watts
	804,700,390.01	F48T HO - 168/180 60 Watts
2a		Door Bracket Lamp Socket
	432,050,380.73	7UP B7, Dr. Pepper D3, Generic Round, Veryfine/RC Inverted "L"
	562,050,040.03	Cold Drink FLS Only
2b		Top Lamp Holders
	804,901,990.01	High Output - 523 All Models
2c		Bottom Lamp Holders
	804,902,000.01	High Output - 524 All Models
3		Plug-In Ballast Advance #VSM/HO
	804,400,380.11	All Models
4		Connector, Electrical (scotchlock 557)
	904,800,520.01	All Models
5		Two Way Plug (1-480-698-0)
	904,600,710.01	All Models
6		Nine Way Plug (1-480-706-0)
	904,600,670.01	All Models
7		Nine Way Cap (1-480-707-0)
	904,600,660.01	All Models
8		Lead, High Output Light Harness (Plug-in ballast)
	804,909,480.01	All Models
9		Lamp Fixture Jumper, High OutPut (602830)
	804,904,920.21	All Models
10		Fluorescent Bulb
	804,700,350.01	B7 276 only F13T8CW 13 Watts
A1	900,301,700.11	Screw, Phil Pan Swage Form #6-32 x3/8"

Veryfine Circular (0001-3194C0 to 0001-6169A5)



Veryfine Circular (0001-3194C0 to 0001-6169AS)

Item	Part Number	Part Name And Description By Model Number
SLIMLINE LIGHTING		
1		Fluorescent Bulb
	804,700,330.01	All Models F64T12/DAYLT 51 Watts
2a		Door Bracket Lamp Socket
	432,050,380.73	All Models
2b		Top Lamp Holders
	804,902,020.01	Slimline - 516 All Models
2c		Bottom Lamp Holders
	804,902,030.01	Slimline - 517 All Models
3		Plug-In Ballast
	804,400,370.31	Advance Slimline - All Models
4		Connector, Electrical (scotchlock 557)
	904,800,520.01	All Models
5		Two Way Plug
	904,600,710.01	All Models
6		Nine Way Plug
	904,600,670.01	All Models
7		Nine Way Cap
	904,600,660.01	All Models
8		Plug-In Ballast Harness, Slimline
	804,909,490.01	All Models
POS LIGHTING		
1		POS Light Socket Bracket
	515,050,030.03	All Models
2		POS Light Shield
	515,050,110.03	All Models
3		Fluorescent Phil 13/41
	804,700,460.01	All Models
4		Leviton Socket (26720-3)
	804,902,230.01	All Models
5		POS Window Ballast Assembly
	804,905,390.01	All Models
6		Three Way Plug (1-480-700-0)
	904,600,760.01	All Models
A4	900,301,500.01	Screw, Phil Pan w/out washer #8 - 18 x 1/2"
A1	900,301,700.11	Screw, Phil Pan Swage Form #6 - 32 x 3/8"