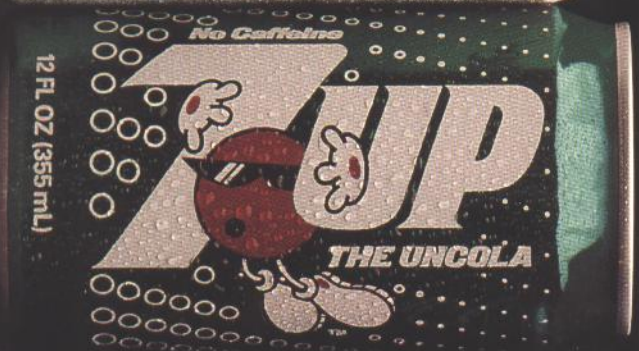
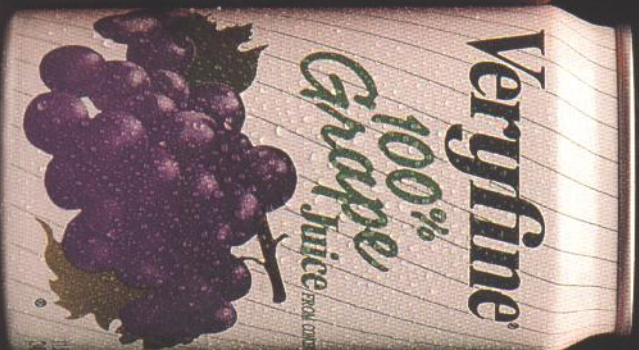


The Parts Book

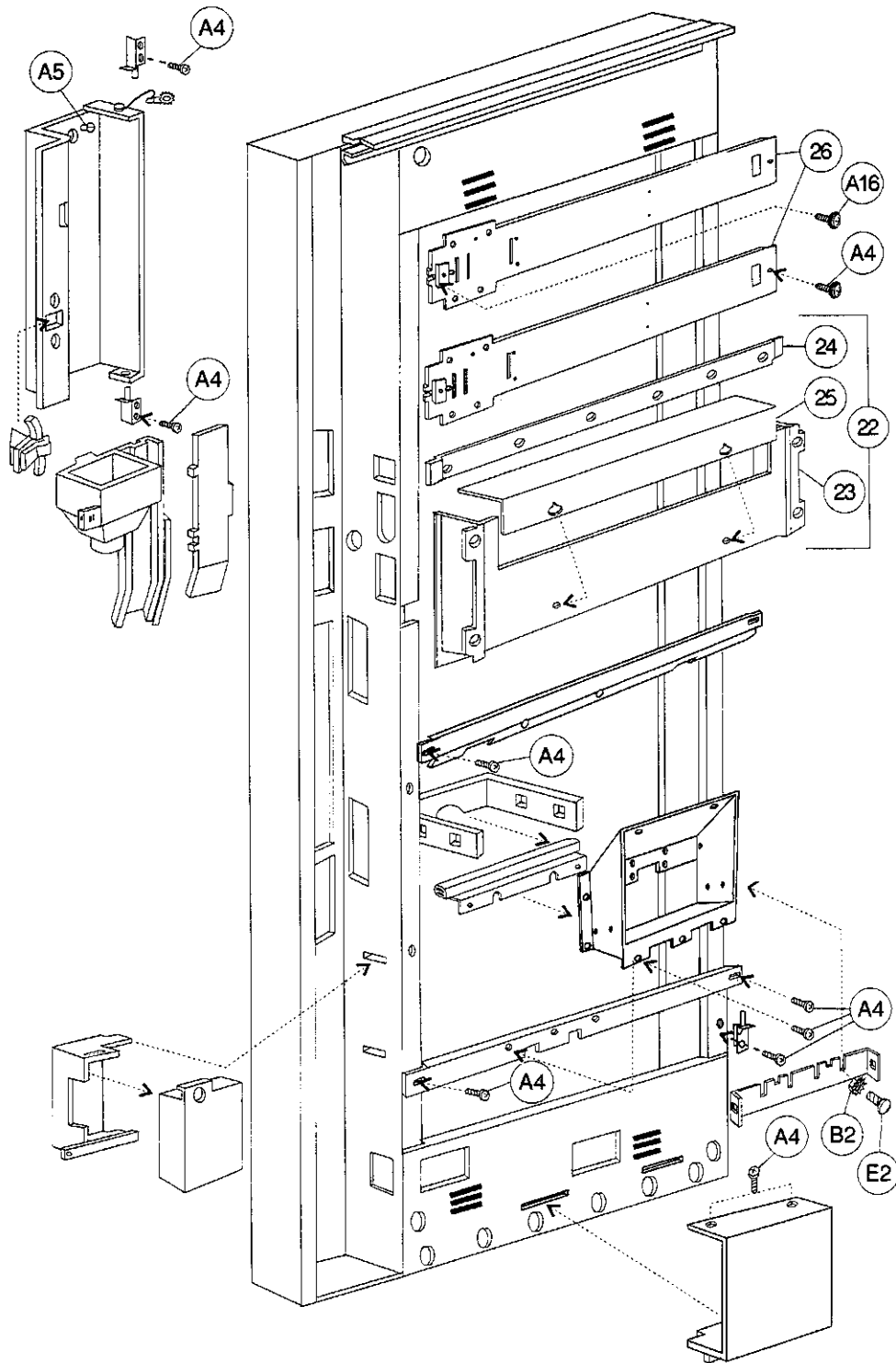


Can Display

Item	Part Number	Part Name And Description By Model Number
1		Discharge Member
	478,050,150.03	360/368/501
	267,050,470.03	180
2		Delivery Port
	801,806,810.01	360/368/501
	801,806,960.01	180
3		Door Stiffener
	453,150,010.23	360/368/501
	478,050,110.43	MPC 360/368/501
	275,050,090.83	180
4		Delivery Port Bottom Stiffener
	490,050,020.23	360/368/501
	478,050,110.33	180/360/368/501
5		Closure Strip
	478,050,160.23	360/368/501
	172,050,031.33	180
6		Bumper Assembly
	172,050,300.83	All Models
7		1" Clamp, Heyco 3390
	901,901,890.01	All Models
8		Cover, Wire Plug
	432,050,660.03	All Models
9		"L" Profile Gasket
	903,600,530.01	360/368/501
	903,600,540.01	180
10a		Weld Assembly Top Access Door Hinge
	432,051,000.03	360/368/501
	267,051,500.13	180
10b		Weld Assembly Bottom Access Door Hinge
	432,051,101.63	360/368/501
11a		Access Door Assembly
	491,050,600.03	360/368/501
	543,050,200.03	180
11b		Access Door
	432,150,030.53	360/368/501
	269,050,040.53	180
12		Access Door Latch
	901,902,130.11	360/368/501
	267,050,170.13	180
13a		Hopper & Chute
	801,806,580.51	360/368/501
	801,804,300.21	180
13b		Coin Chute (not shown)
	267,050,920.13	180
13c		Coin Chute Front/Back
	801,806,590.11	Coin Chute Front - 360/368/501
	267,050,570.13	Coin Chute Back - 180
14		Cash Box
	432,051,800.13	360/368/501
	267,052,600.23	180
15		Cash Box Shelf
	432,050,181.53	360/368/501
16		Ground Wire, 4" (102mm)
	804,902,610.11	All Models
17		Door Strap
	572,050,130.43	SII 180/360/368/501
	523,050,110.13	MPC 360/368/501
	453,050,140.03	NON SII & NON MPC 360/368/501
18		Changer Guard Assembly
	269,050,300.03	180
19		Bracket, 15 Pin Cinch Jones Plug
	524,050,140.23	SII 180/360/368/501
	562,050,010.03	MPC 360/368/501

Continued next page

Can Display

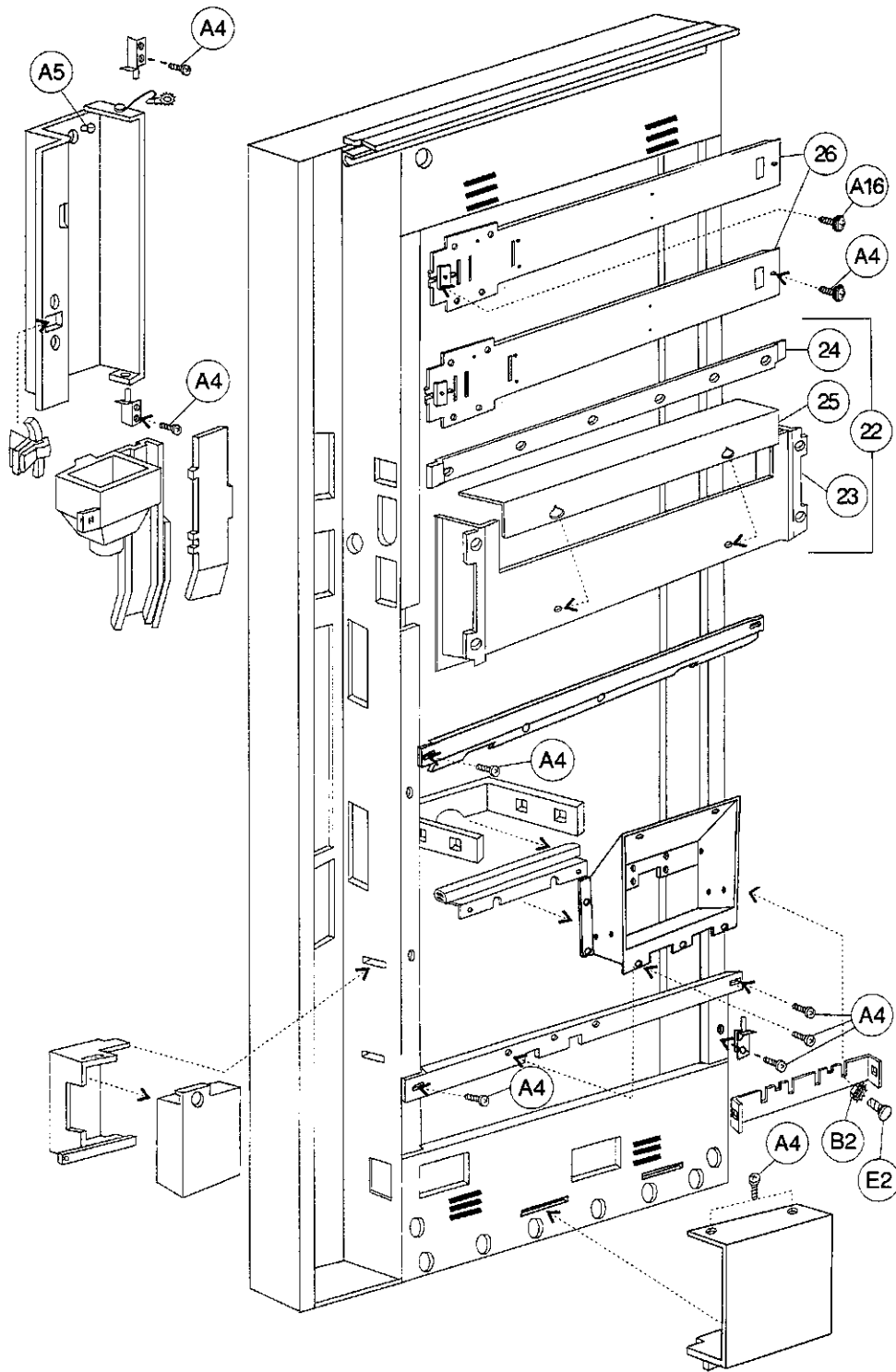


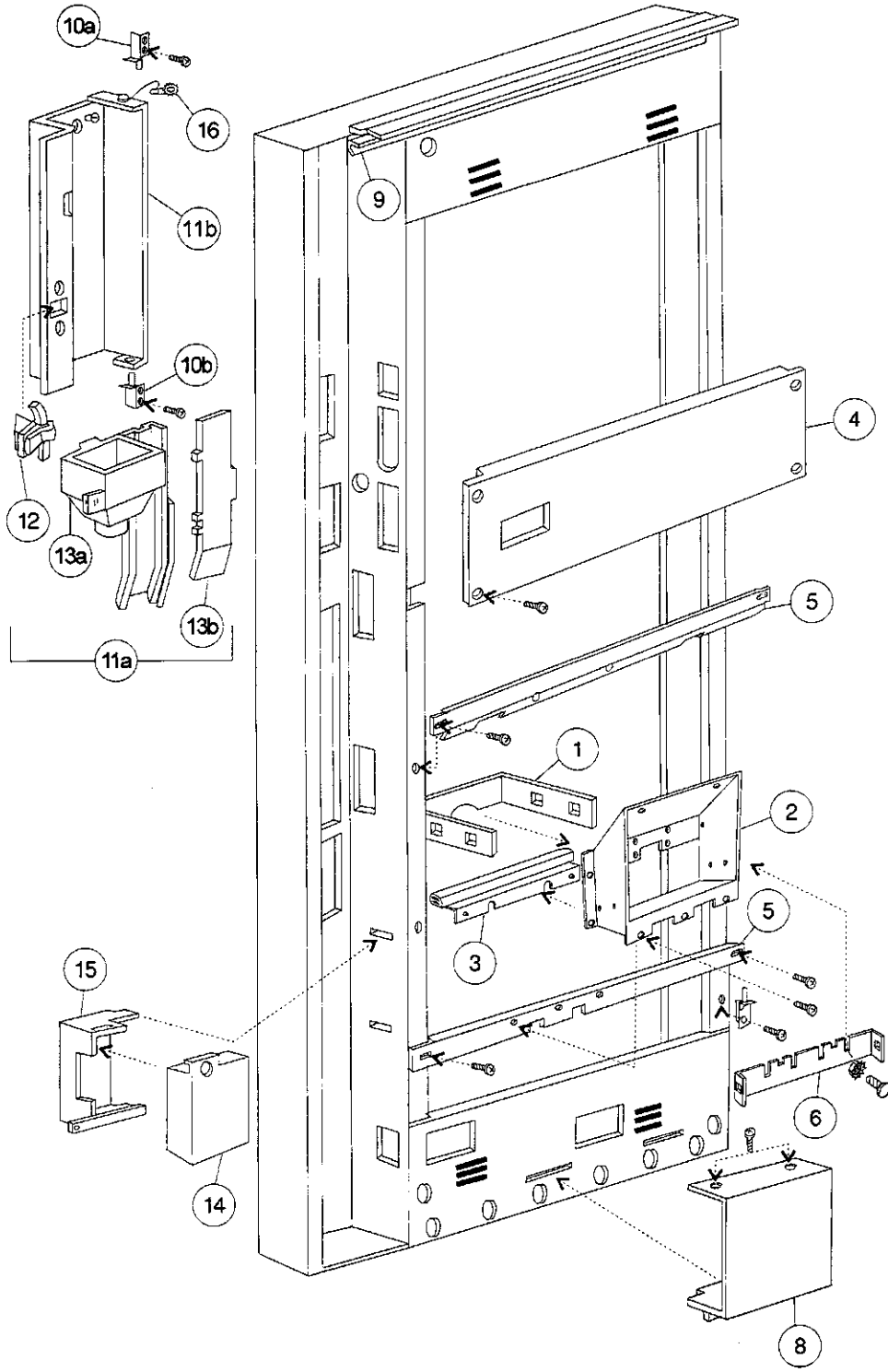
Can Display

Item	Part Number	Part Name And Description By Model Number
1		Discharge Member
	478,050,150.03	360/368/501
	267,050,470.03	180
2		Delivery Port
	801,806,810.01	360/368/501
	801,806,960.01	180
3		Door Stiffener
	453,150,010.23	360/368/501
	478,050,110.43	MPC 360/368/501
	275,050,090.83	180
4		Delivery Port Bottom Stiffener
	490,050,020.23	360/368/501
	478,050,110.33	180/360/368/501
5		Closure Strip
	478,050,160.23	360/368/501
	172,050,031.33	180
6		Bumper Assembly
	172,050,300.83	All Models
7		1" Clamp, Heyco 3390
	901,901,890.01	All Models
8		Cover, Wire Plug
	432,050,660.03	All Models
9		"L" Profile Gasket
	903,600,530.01	360/368/501
	903,600,540.01	180
10a		Weld Assembly Top Access Door Hinge
	432,051,000.03	360/368/501
	267,051,500.13	180
10b		Weld Assembly Bottom Access Door Hinge
	432,051,101.63	360/368/501
11a		Access Door Assembly
	491,050,600.03	360/368/501
	543,050,200.03	180
11b		Access Door
	432,150,030.53	360/368/501
	269,050,040.53	180
12		Access Door Latch
	901,902,130.11	360/368/501
	267,050,170.13	180
13a		Hopper & Chute
	801,806,580.51	360/368/501
	801,804,300.21	180
13b		Coin Chute (not shown)
	267,050,920.13	180
13c		Coin Chute Front/Back
	801,806,590.11	Coin Chute Front - 360/368/501
	267,050,570.13	Coin Chute Back - 180
14		Cash Box
	432,051,800.13	360/368/501
	267,052,600.23	180
15		Cash Box Shelf
	432,050,181.53	360/368/501
16		Ground Wire, 4" (102mm)
	804,902,610.11	All Models
17		Door Strap
	572,050,130.43	SII 180/360/368/501
	523,050,110.13	MPC 360/368/501
	453,050,140.03	NON SII & NON MPC 360/368/501
18		Changer Guard Assembly
	269,050,300.03	180
19		Bracket, 15 Pin Cinch Jones Plug
	524,050,140.23	SII 180/360/368/501
	562,050,010.03	MPC 360/368/501

Continued next page

Can Display

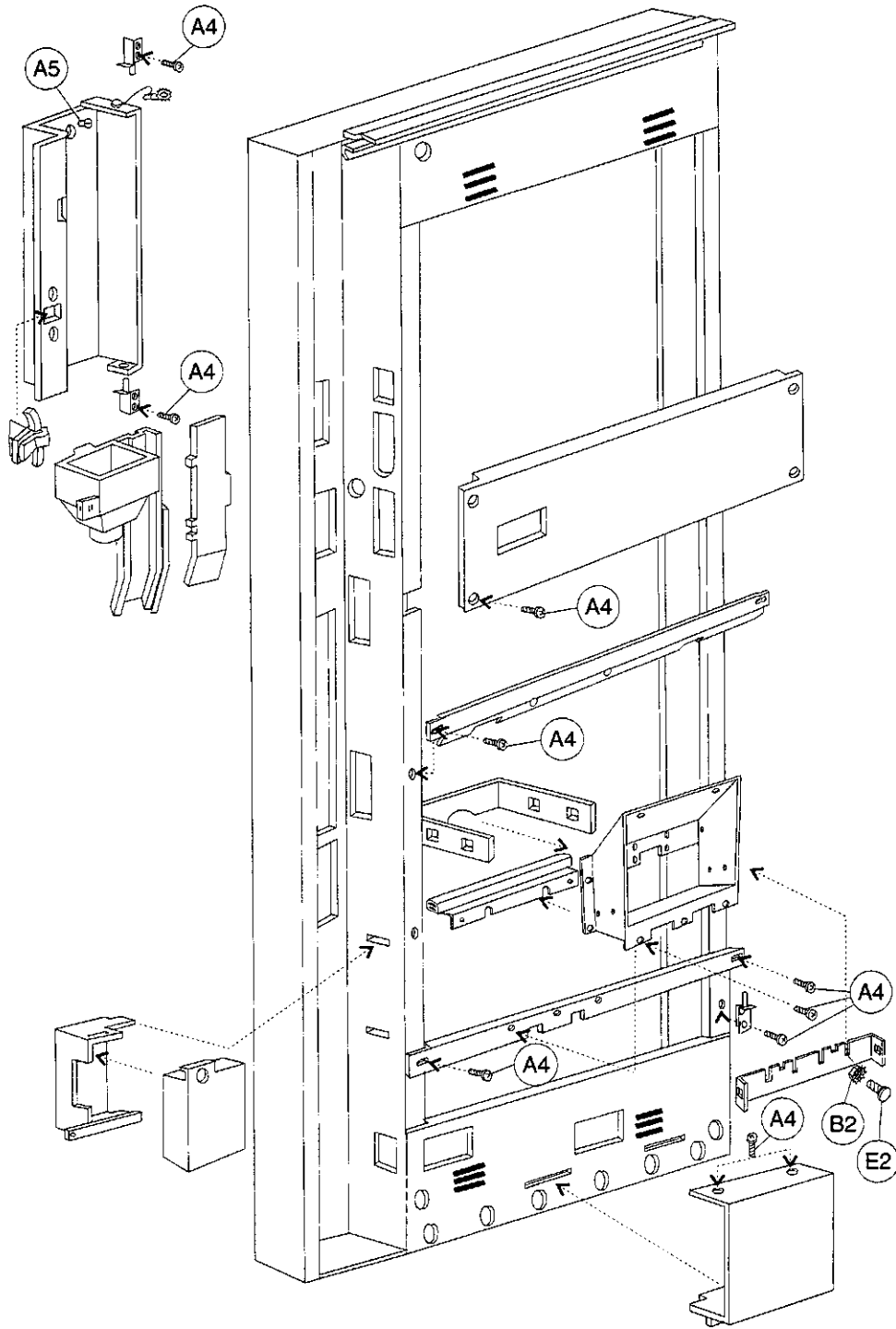




Cold Drink FLS

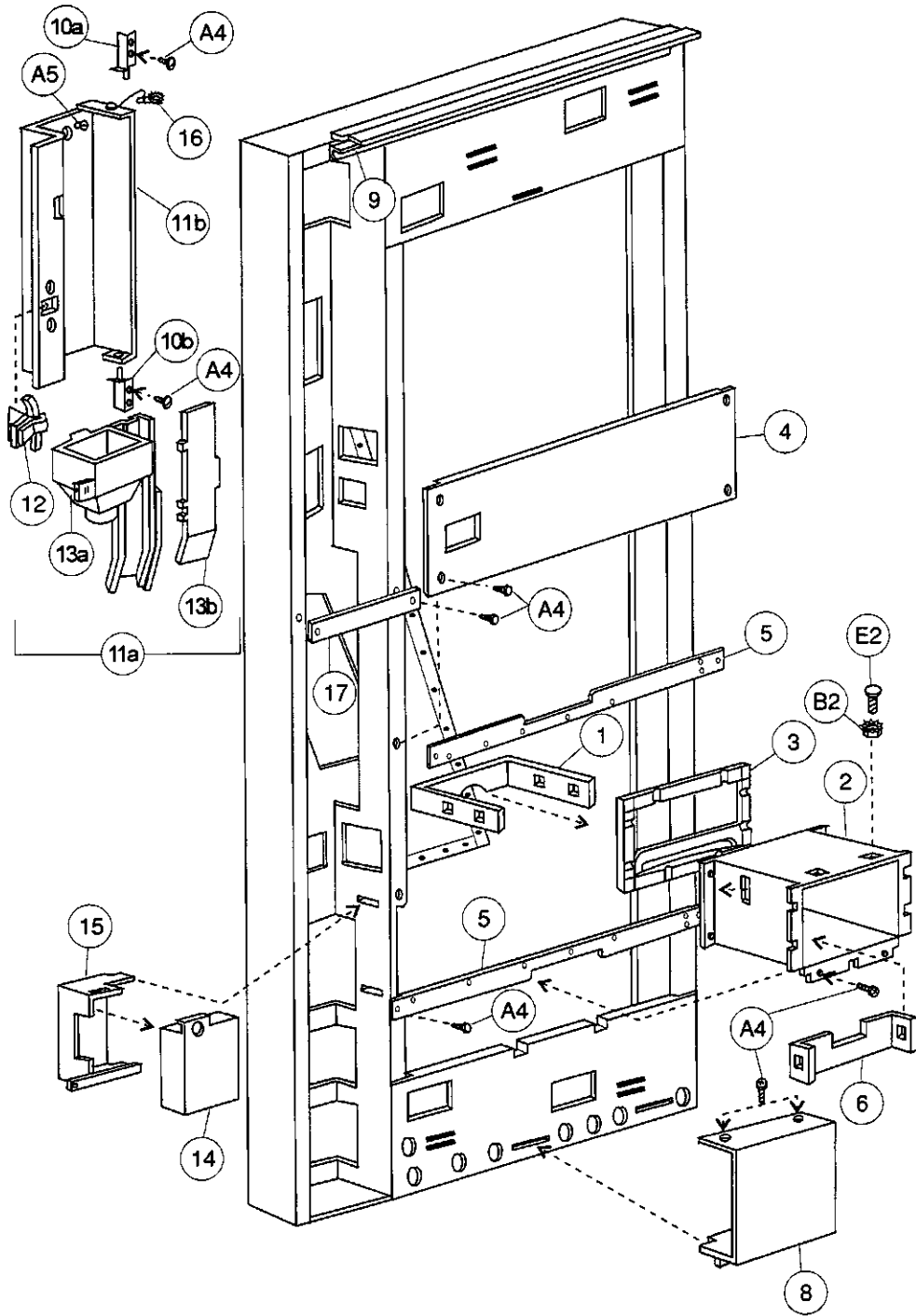
Item	Part Number	Part Name And Description By Model Number
1		Discharge Member
	478,050,150.03	348/360/368/440/501/600
	478,050,150.03	180/276/300
2		Delivery Port (Black)
	801,806,030.71	348/360/368/440/501/600
	801,806,810.01	180/276/300
3		Bumper Assembly
	172,050,300.83	All Models
4		Door Stiffener
	478,050,110.43	348/360/368/501/600 NON MPC & NON SII
	453,150,010.23	348/360/368/440/501/600 VRV SII
	456,050,060.13	180/276/300 NON SII & NON MPC
	394,050,020.73	276 VRV SII
5		Delivery Port Stiffener
	480,050,060.13	Top 348/360/368/440/501/600
	435,050,030.33	Top Horizontal Stiffener 180/276/300
	490,050,020.33	Bottom 348/360/368/440/501/600
	493,050,040.23	Port Stiffener 180/276/300
6		Closure Strip
	478,050,160.33	All Models
7		1" Clamp, Heyco 3390
	901,901,890.01	All Models
8		Cover Wire Plug
	432,050,660.03	All Models
9		"L" - Profile Gasket
	903,600,530.01	348/360/368/440/501/600
	903,600,540.01	180/276/300
10a		Top Access Door Hinge, weld assembly
10b	432,051,000.03	All Models
		Bottom Access Door Hinge, weld assembly
	432,051,101.63	276/300/348/360/368/440/501/600
	455,050,100.03	180
11a		Access Door Assembly
	491,050,600.03	All Models
11b		Access Door
	432,150,030.53	All Models
12		Latch
	901,902,130.11	All Models
13a		Hopper & Chute
	801,806,580.51	All Models
13b		Coin Chute, Front
	801,806,590.11	All Models
14		Cash Box
	432,051,800.13	276/300/348/360/368/440/501/600
	445,050,800.13	180
15		Cash Box Shelf
	432,050,181.53	276/300/348/360/368/440/501/600
	445,050,160.63	180
16		Ground Wire, 4" (102mm)
	804,902,610.11	All Models
17		Door Strap
	572,050,130.43	All Models - SII
	523,050,110.13	All Models - MPC
	453,050,140.03	All Models - NON SII & NON MPC
18		Crown Puller Cover Plate
	453,050,120.03	All Models

Continued next page



Main Door Interior

Dr Pepper (D3)

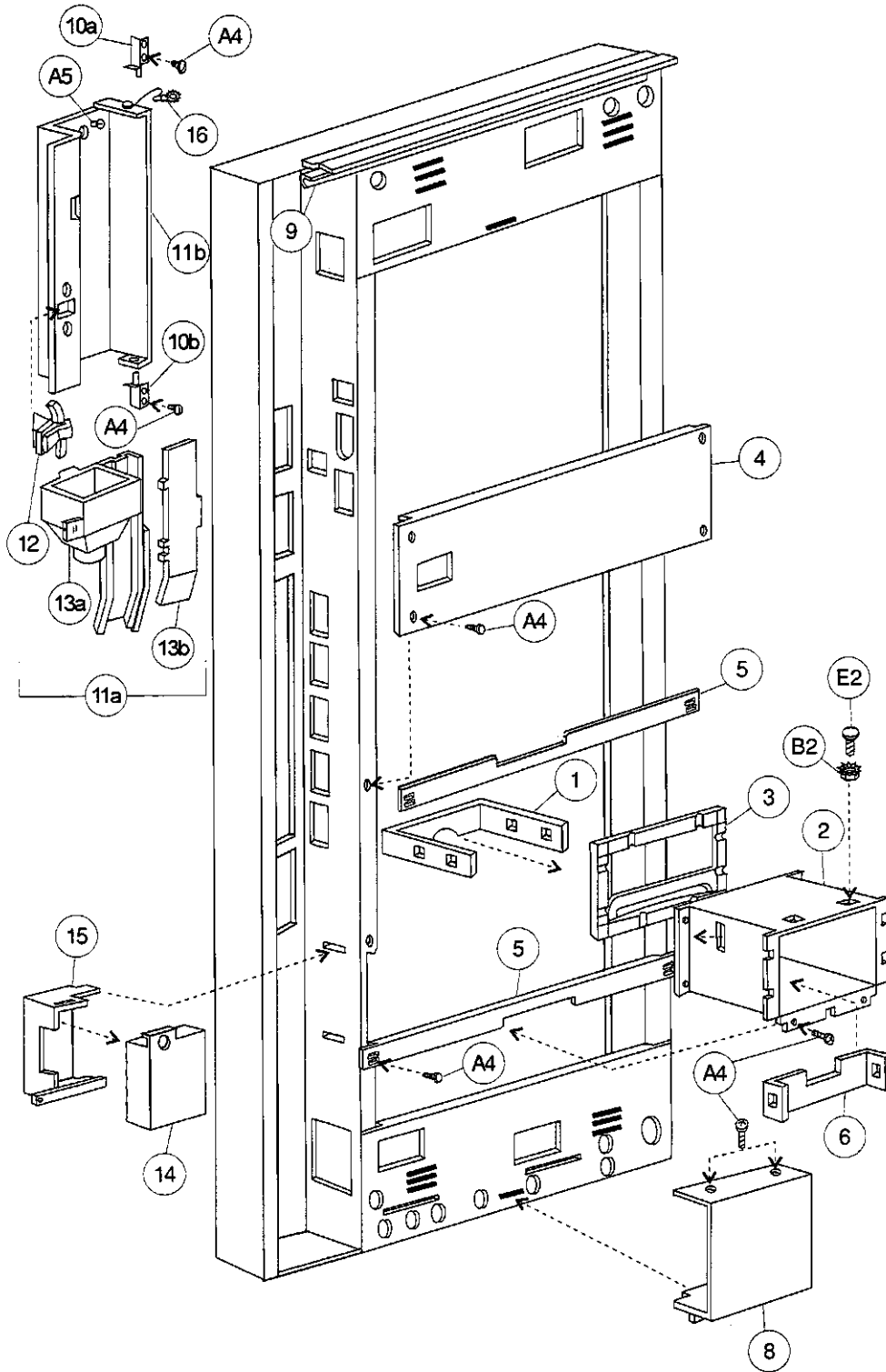


Dr Pepper (D3)

Item	Part Number	Part Name And Description By Model Number
1		Discharge Member
	360,050,370.43	348/368/414/440/501/522/600
	435,050,110.03	180/276
2		Delivery Port (Black)
	801,806,030.71	348/368/414/440/501/522/600
	435,050,400.03	180/276
3		Port Spacer
	801,805,680.21	180/276
	801,805,670.41	348/368/414/440/501/522/600
4		Door Stiffener
	453,150,010.23	348/368/414/440/501/522/600 NON MPC & NON SII
	453,150,030.33	348/368/414/440/501/522/600 VRV SII
	456,050,060.13	180/276 NON SII & NON MPC
5		Delivery Port Stiffener
	480,050,060.13	600, 522, 501, 440, 414, 368, 348
		Top Horizontal Stiffener
	435,050,030.33	180/276
6		Closure Strip
	432,010,510.13	348/368/414/440/501/600
	399,050,150.43	180/276
7		1" Clamp, Heyco 3390
	901,901,890.01	All Models
8		Cover Wire Plug
	432,050,660.03	All Models
9		"L" Profile Gasket
	903,600,530.01	348/368/414/440/501/522/600
	903,600,540.01	180/276
10a		Top Access Door Hinge, weld assembly
	432,051,000.03	All Models
10b		Bottom Access Door Hinge, weld assembly
	432,051,101.63	All Models
11a		Access Door Assembly
	491,050,600.03	All Models
11b		Access Door
	432,150,030.53	All Models
12		Latch
	901,902,130.11	All Models
13a		Hopper & Chute
	801,806,580.51	All Models
13b		Coin Chute, Front
	801,806,590.11	All Models
14		Cash Box weld assembly
	432,051,800.13	All Models
15		Cash Box Shelf
	432,050,181.53	All Models
16		Ground Wire, 4" (102mm)
	804,902,610.11	All Models
17		Door Strap
	572,050,130.43	All Models SII
	523,050,110.13	All Models MPC
	453,050,140.03	All Models NON SII & NON MPC
18		Crown Puller Cover Plate
	453,050,120.03	All Models
A4	900,301,500.01	Screw, Phil Pan w/out Washer, #8 - 18 x 1/2"
A5	900,301,970.11	Screw, Phil Pan Swage Form, #8 - 32 x 1/4"
A9	900,301,560.11	Screw, Phil Pan Swage Form, #8 - 32 x 3/8"
A15	900,201,140.11	Screw, Machine Truss, #10 - 32 x 1/2"
A16	900,301,650.01	Screw, Phil Pan Sems w/washer, #8 - 18 x 1/2 "
B1	900,800,650.01	Keps Nut, #10 - 32
B2	900,800,670.01	Keps Nut, 1/4 - 20
B3	900,800,500.01	Keps Nut, #8 - 32
E2	900,201,170.01	Carriage Bolt, 1/4 - 20 x 1"

Main Door Interior

Generic Round

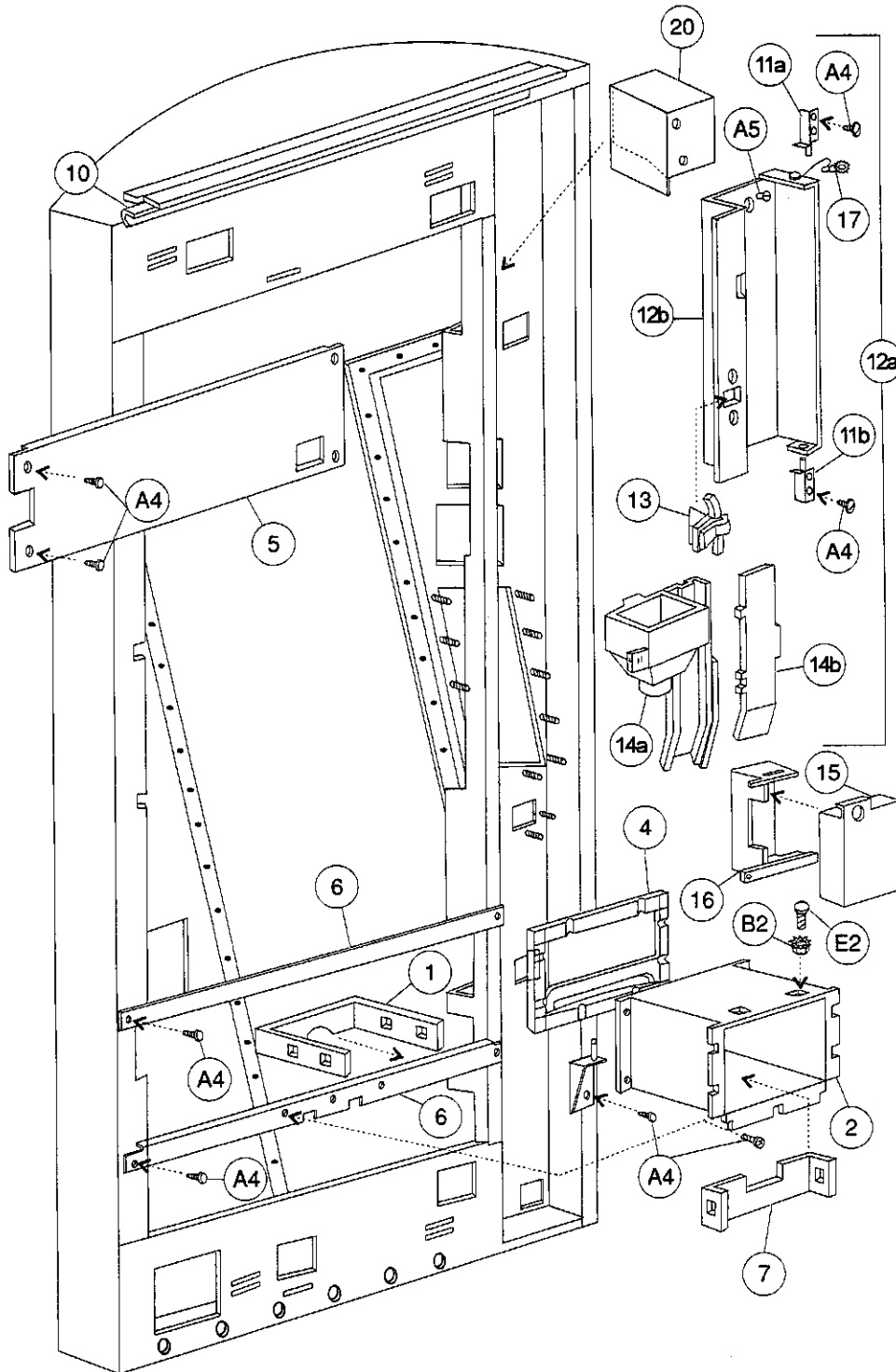


Generic Round

Item	Part Number	Part Name And Description By Model Number
1		Discharge Member
	399,050,240.03	All Models
2		Delivery Port (Black Frame)
	801,806,030.71	All Models
3		Port Spacer
	801,805,500.31	All Models
4		Door Stiffener
	453,150,010.23	All Models NON MPC
5		Delivery Port Stiffener
	455,050,060.33	368/501 MPC
	480,050,060.13	All Models - NON MPC
6		Closure Strip
	432,010,510.13	All Models
7		1" Clamp, Heyco 3390 (Not Shown)
	901,901,890.01	All Models
8		Cover Wire Plug
	432,050,780.03	All Models
9		"L" - Profile Gasket
	903,600,530.01	All Models
10a		Top Access Door Hinge, weld assembly
	432,051,000.03	All Models
10b		Bottom Access Door Hinge, weld assembly
	432,051,101.63	All Models
11a		Access Door Assembly
	491,050,600.03	All Models
11b		Access Door
	432,150,030.53	All Models
12		Latch, Access Door
	901,902,130.11	All Models
13a		Coin Hopper & Chute
	801,806,580.51	All Models
13b		Coin Chute Front
	801,806,590.11	All Models
14		Cash Box
	432,051,800.13	All Models
15		Cash Box Shelf
	432,050,181.53	All Models
16		Ground Wire, 4" (102mm)
	804,902,610.11	All Models
17		Door Strap
	572,050,130.43	All Models SII
	523,050,110.13	All Models MPC
	453,050,140.03	All Models NON SII & NON MPC
A4	900,301,500.01	Screw, Phil Pan w/out Washer #8 - 18 x 1/2"
A5	900,301,970.11	Screw, Phil Pan Swage Form #8 - 32 x 1/4"
A9	900,301,560.11	Screw, Phil Pan Swage Form #8 - 32 x 3/8"
A15	900,201,140.11	Screw, Machine Truss #10 - 32 x 1/2"
A16	900,301,650.01	Screw, Phil Pan Sems w/washer #8 - 18 x 1/2"
B1	900,800,650.01	Keps Nut, #10 - 32
B2	900,800,670.01	Keps Nut, 1/4 - 20
B3	900,800,500.01	Keps Nut, #8 - 32
E2	900,201,170.01	Carriage Bolt, 1/4 - 20 x 1 "

Main Door Interior

7Up (B7)

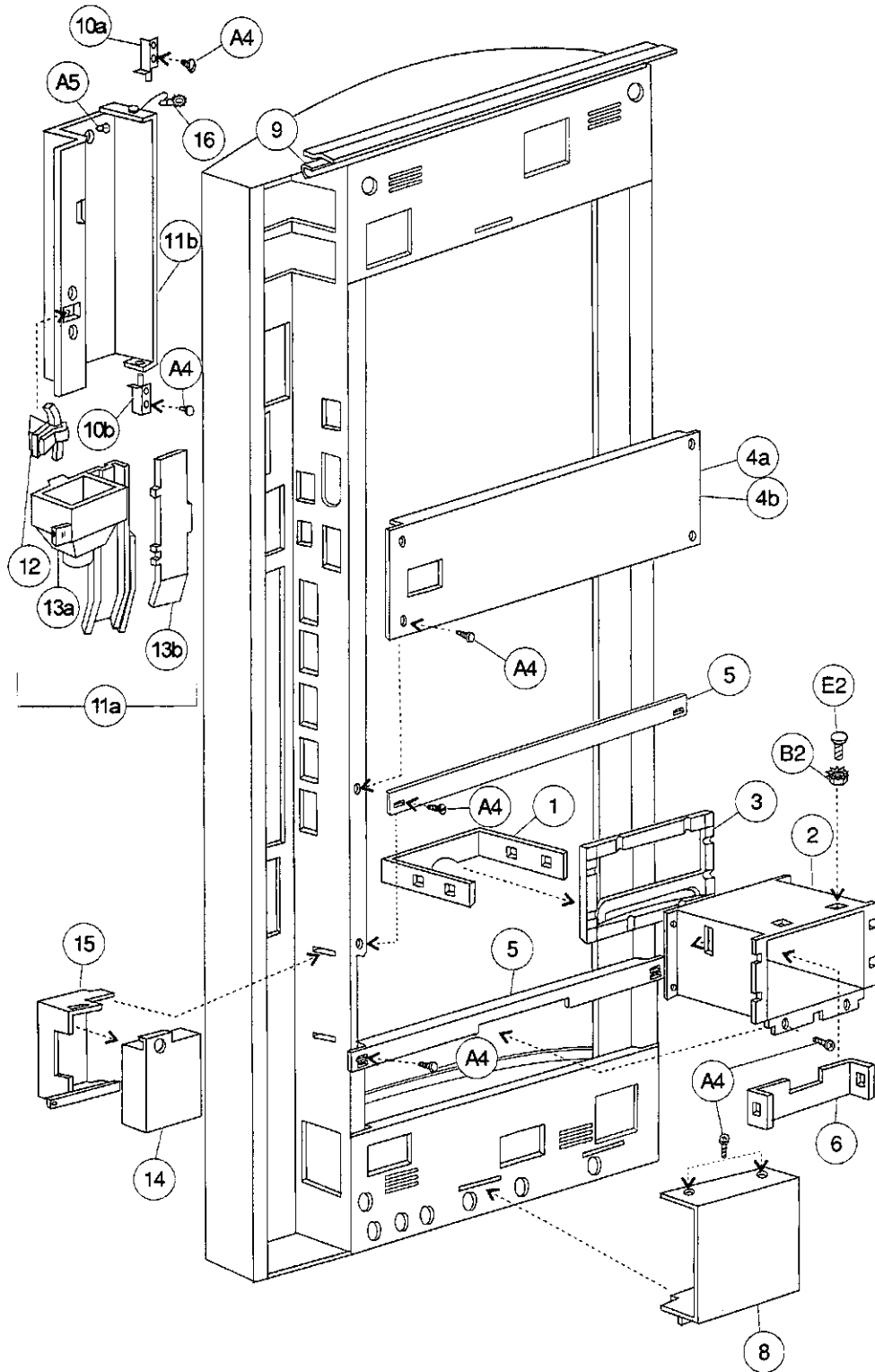


7Up (B7)

Item	Part Number	Part Name And Description By Model Number
1		Discharge Member
	360,050,370.43	All Models
2		Delivery Port (Black Frame)
	801,806,030.71	348/360/368/414/432/440/501/600
	468,050,600.03	276
3		Assembly, Bumper
	455,050,300.03	All Models
4		Port Spacer
	801,806,010.01	All Models
5		Door Stiffener
	462,050,090.23	348/360/368/414/432/440/501/600 NON MPC & NON SII
	455,050,310.13	368 SII
	455,050,060.23	440 MPC
	468,050,150.03	276
6		Delivery Port Stiffener
	455,050,050.53	348/360/368/414/432/440/501/600
	468,050,070.23	276 Top
	468,050,120.43	276 Bottom
7		Closure Strip
	432,010,510.13	348/360/368/414/432/440/501/600
	399,050,150.43	276
8		1" Clamp, Heyco 3390
	901,901,890.01	All Models
9		Cover Wire Plug
	432,050,660.03	All Models
10		"L" - Profile Gasket
	903,600,530.01	348/360/368/414/432/440/501/600
	903,600,540.01	276
11a		Top Access Door Hinge, weld assembly
	455,050,700.03	All Models
11b		Bottom Access Door Hinge, weld assembly
	455,050,600.03	All Models
12a		Access Door Assembly
	491,050,600.03	All Models
12b		Access Door
	432,150,030.53	All Models
13		Latch
	901,902,130.11	All Models
14a		Coin Hopper & Chute
	801,806,580.51	All Models
14b		Coin Chute Front
	801,806,590.11	All Models
15		Cash Box weld assembly
	455,051,100.03	All Models
16		Cash Box Shelf
	455,050,140.43	All Models
17		Ground Wire, 4" (102mm)
	804,902,610.11	All Models
18		Door Strap
	572,050,130.43	SII & NON MPC
	563,050,010.13	MPC
19		Crown Puller Cover Plate
	360,010,180.13	All Models
20		Validator Cover Plate
	455,010,050.13	All NON VRV Models
A4	900,301,500.01	Screw, Phil Pan w/out Washer #8 - 18 x 1/2"
A5	900,301,970.11	Screw, Phil Pan Swage Form #8 - 32 x 1/4"
A9	900,301,560.11	Screw, Phil Pan Swage Form #8 - 32 x 3/8"
A15	900,201,140.11	Screw, Machine Truss #10 - 32 x 1/2"
A16	900,301,650.01	Screw, Phil Pan Sems w/washer, #8 - 18 x 1/2"
B1	900,800,650.01	Keps Nut, #10 - 32
B2	900,800,670.01	Keps Nut, 1/4 - 20
B3	900,800,500.01	Keps Nut, #8 - 32
E2	900,201,170.01	Carriage Bolt, 1/4 - 20 x 1"

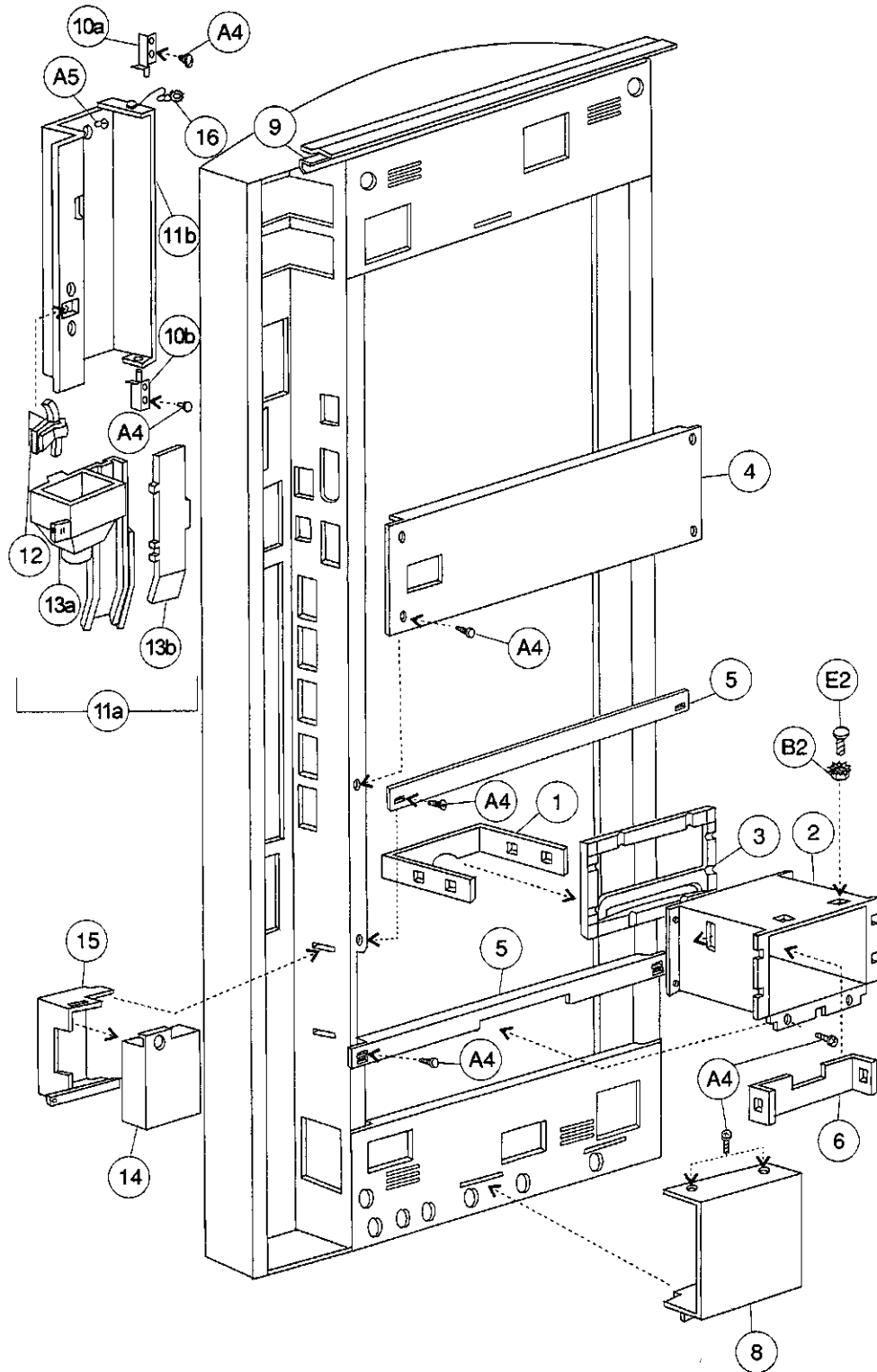
Main Door Interior

Veryfine Circular (0001-3194C0 to 0001-6169AS)



Main Door Interior

Veryfine/RC Inverted "L" Circular



Veryfine/RC Inverted "L" Circular

Item	Part Number	Part Name And Description By Model Number
1		Discharge Member
	360,050,370.43	All Models
2		Delivery Port (Black Frame)
	801,806,030.71	All Models
3		Port Spacer
	801,805,670.41	All Models
4		Door Stiffener
	453,150,010.23	All Models
5		Delivery Port Stiffener
	480,050,060.13	All Models
6		Closure Strip
	432,010,510.13	All Models
7		1" Clamp, Heyco 3390
	901,901,890.01	All Models
8		Cover Wire Plug
	432,050,780.03	All Models
9		"L" - Profile Gasket
	903,600,530.01	All Models
10a		Top Access Door Hinge, weld assembly
	432,051,000.03	All Models
10b		Bottom Access Door Hinge, weld assembly
	432,051,101.63	All Models
11a		Access Door Assembly
	491,050,600.03	All Models
11b		Access Door
	432,150,030.53	All Models
12		Latch
	901,902,130.11	All Models
13a		Coin Hopper & Chute
	801,806,580.51	All Models
13b		Coin Chute Front
	801,806,590.11	All Models
13c		weld assembly Hopper Extension (10 Select Venders)
	480,050,400.13	414
14		Cash Box weld assembly
	432,051,800.13	All Models
15		Cash Box Shelf
	432,050,181.53	All Models
16		Ground Wire, 4" (102mm)
	804,902,610.11	All Models
17		Door Strap
	453,050,140.03	NON SII and NON MPC
	572,050,130.53	SII
A4	900,301,500.01	Screw, Phil Pan w/out Washer #8 - 18 x 1/2"
A5	900,301,970.11	Screw, Phil Pan Swage Form #8 - 32 x 1/4"
A9	900,301,560.11	Screw, Phil Pan Swage Form #8 - 32 x 3/8"
A15	900,201,140.01	Screw, Machine Truss #10 - 32 x 1/2"
A16	900,301,650.01	Screw, Phil Pan Sems w/washer #8 - 18 x 1/2 "
B1	900,800,650.01	Keps Nut, #10 - 32
B2	900,800,670.01	Keps Nut, 1/4 - 20
B3	900,800,500.01	Keps Nut, #8 - 32
E2	900,201,170.01	Carriage Bolt, 1/4 - 20 x 1 "

When Ordering Parts, Indicate Model # And Serial # Of Vender.
All Parts Numbers And Prices Are Subject To Change Without Notice. 0495