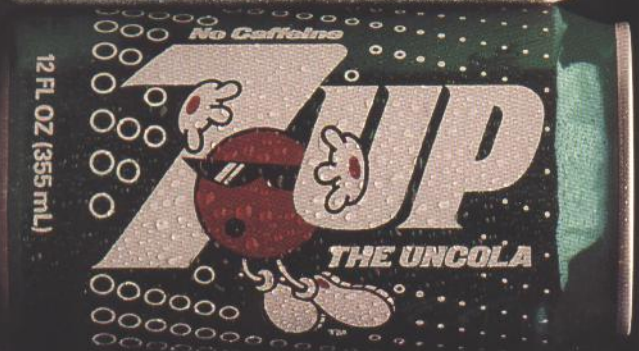
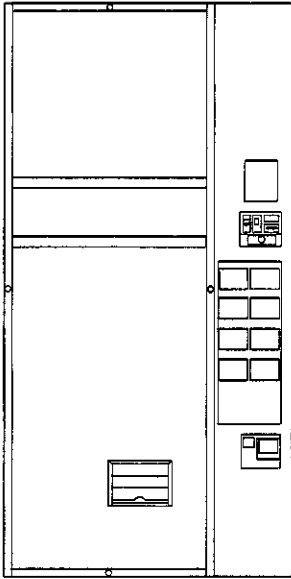


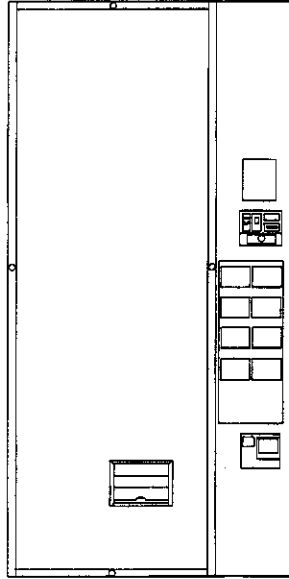
The Parts Book



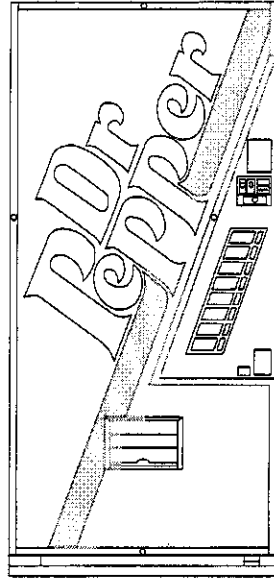
Can Display, Cold Drink FLS, Dr Pepper (D3), Generic Round, 7Up (B7), Veryfine Circular(0001-3194CO to 0001-6169AS), Veryfine/RC Inverted "L" Circular



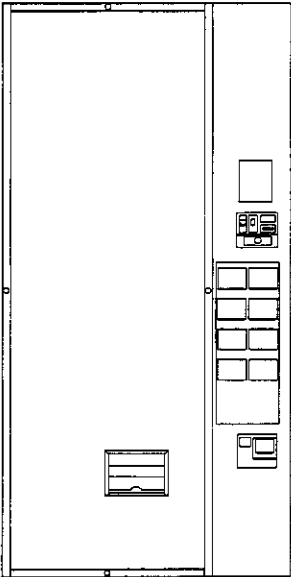
Can Display



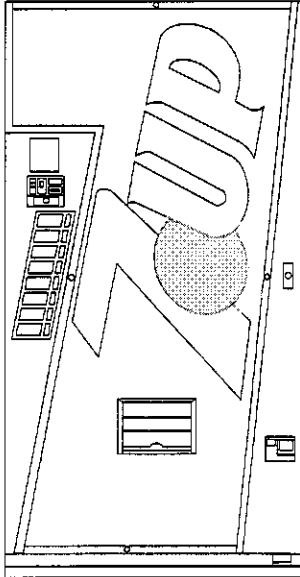
Cold Drink FLS



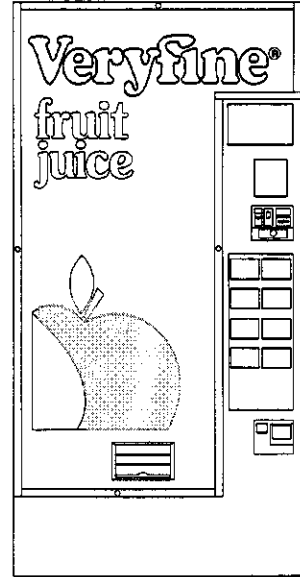
Dr Pepper (D3)



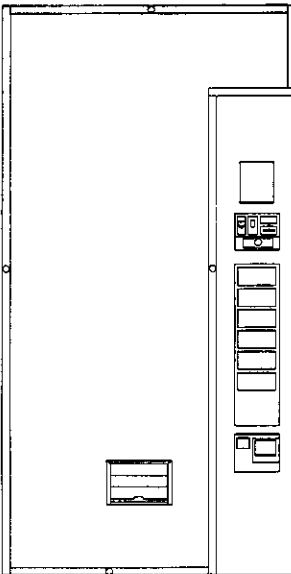
Generic Round



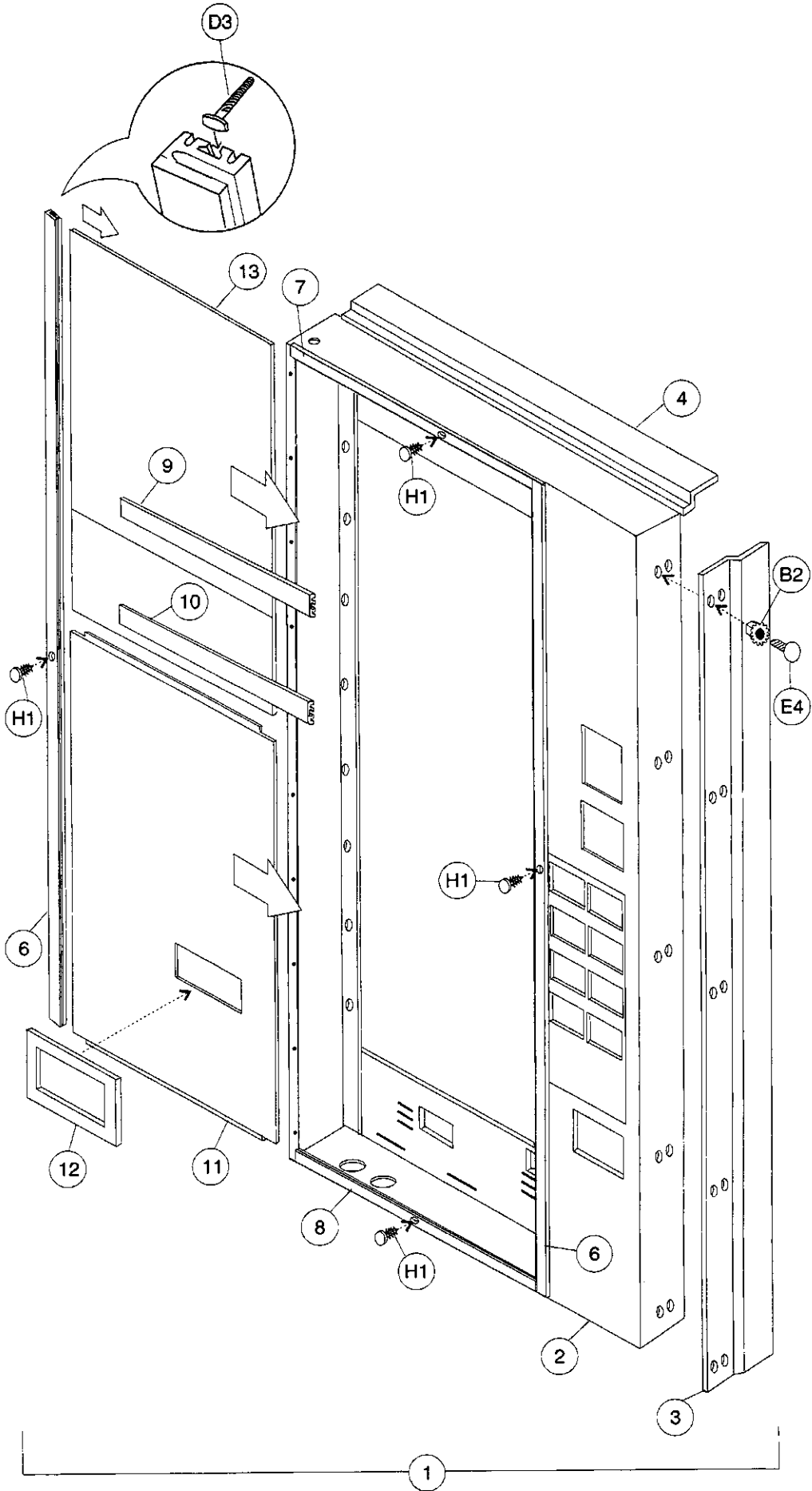
7Up (B7)



Veryfine Circular
(0001-3194CO
to 0001-6169AS)



Veryfine/RC Inverted "L" Circular

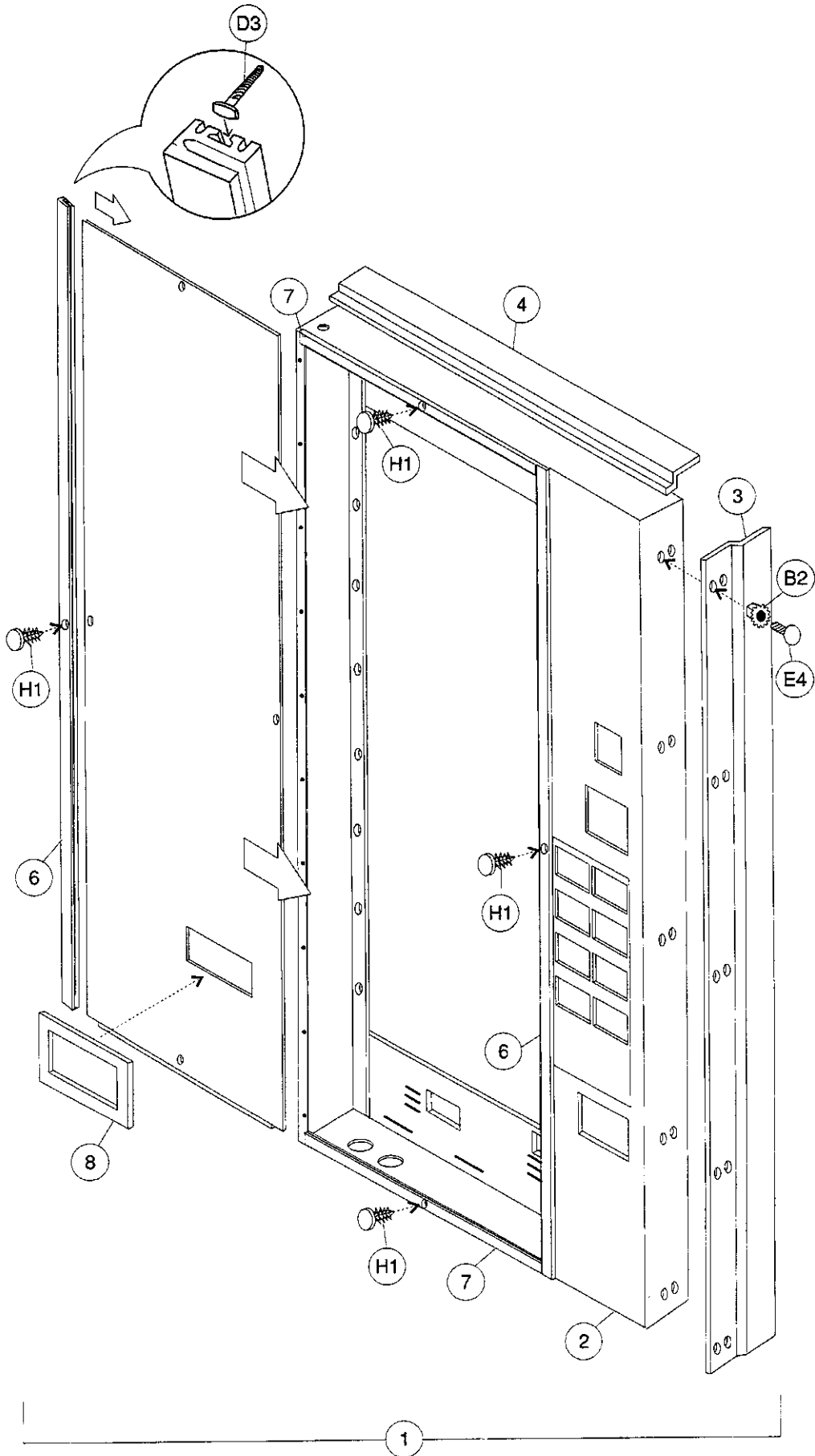


Can Display

Item	Part Number	Part Name And Description By Model Number
1		Main Door Assembly (Specify Graphics & Harness)
	478,150,000.03	368/501 (8 select)
	565,153,400.03	368/501 AVI SII (8 select)
	565,152,200.03	368/501 SII (8 select)
	525,050,000.03	368/501 MPC (8 select)
	486,150,000.03	360 (6 select)
	440,050,000.03	180 (5 select)
	565,152,300.03	180 SII (5 select)
2		Main Door Weld Assembly
	478,150,100.03	360/368/501 SII and NON MPC
	525,050,100.03	360/368/501 MPC
	548,050,100.03	180 SII and NON MPC
3		Protective Plate Door
	165,150,331.33	360/368/501
	168,150,331.63	180
4		Rain Guard
	164,151,142.33	360/368/501
	169,050,342.23	180
5		Tie Rod
	900,502,510.41	360/368/501
6		Vertical Trim Left Side & Right Side
	801,805,470.21	68 15/16" (1751.01mm) - 360/368/501
	801,805,470.21	31" (787.4mm) - 180
7		Horizontal Trim Top
	801,805,470.21	25 3/4" (654.05mm) - 360/368/501
	801,805,470.21	27 1/8" (688.975mm) - 180
8		Horizontal Trim Bottom
	801,805,470.21	25 3/4" (654.05mm) - 360/368/501
	801,805,470.21	25" (635mm) - 180
9		Horizontal Trim Top Display Window
	801,806,140.31	25 3/4" (654.05mm) - 360/368/501
	801,806,140.31	28 3/4" (730.25mm) - 180
10		Horizontal Trim Bottom Display Window
	801,806,140.31	25 3/4" (654.05mm) - 360/368/501
	801,602,850.01	13 7/8" (352.425mm) 180 [metal]
11		Assembly Bottom Filler Panel
	478,050,800.03	360/368/501
	440,050,040.03	180
12		Delivery Port Trim (Black)
	801,602,510.31	All Models
13		Sign
	805,009,570.01	Black - 360/368/501
	805,008,060.01	Brown - 360/368/501
	805,010,260.01	International - 360/368/501
	805,007,950.01	West Germany - 360/368/501
	805,006,540.01	Display Window - 180
B2	900,800,670.01	Keps Nut, 1/4 - 20
B3	900,800,500.01	Keps Nut, #8 - 32
B7	900,800,510.01	Elastic Stop Nut, #8 - 32
D2	900,400,410.01	T-Bolt #8 - 32 x 1 3/8"
D3	900,400,350.41	T-Bolt #8 - 32 x 3/4"
E4	900,201,450.01	Carriage Bolt, 1/4 - 20 x 1/2 "
H1	900,902,130.01	Christmas Tree Clip, #354280307-00

Main Door Exterior

Cold Drink FLS

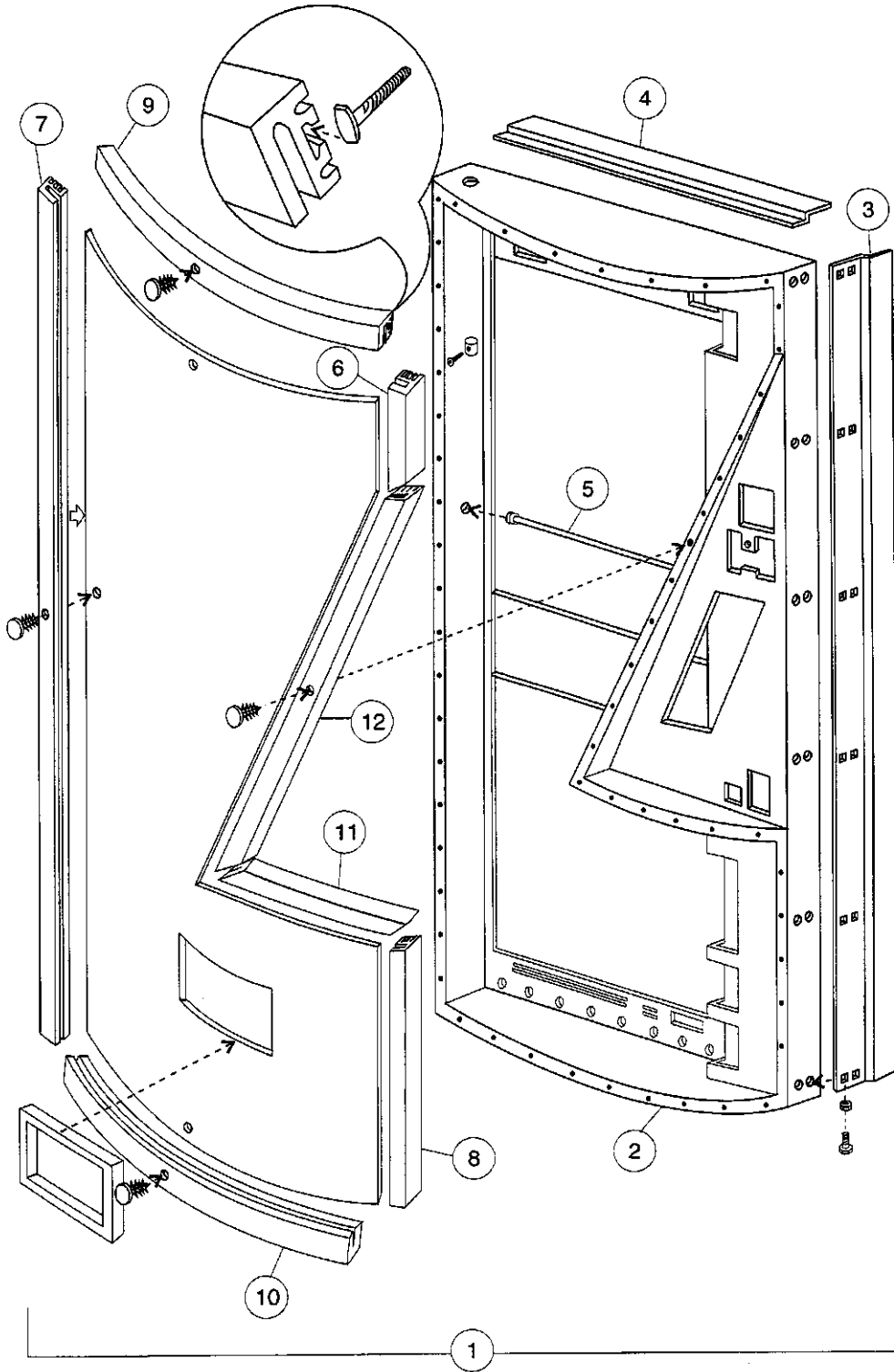


Cold Drink FLS

Item	Part Number	Part Name And Description By Model Number
1		Main Door Assembly (Specify Graphics & Harness) FLS
	548,050,900.03	180
	565,152,000.03	180 SII
	493,050,900.03	276 (6 select)
	565,151,900.03	276 SII (6 select)
	555,150,000.03	300
	565,152,400.03	300 SII
	565,152,700.03	348 SII (10 select)
	562,050,100.03	360 (6 select) (6QB)
	565,051,700.03	360 SII (6 select) (6QB)
	562,050,200.03	368/501 (8 select) (8QB)
	565,150,200.03	368/501 SII (8 select) (8QB)
	565,153,100.03	440/600
	565,152,900.03	440/600 SII
2		Main Door Weld Assembly
	548,051,000.03	180
	493,051,000.03	276/300
	478,150,100.03	348/360/368/501
	565,153,000.03	440/600
3		Protective Plate Door
	164,150,331.63	440/600
	165,150,331.33	276/300/348/360/368/501
	168,150,331.63	180
4		Rain Guard
	164,151,142.33	348/360/368/440/501/600
	169,050,342.23	180/276/300
5		Tie Rod
	900,502,510.41	348/360/368/440/501/600
6		Vertical Trim Left Side & Right Side
	801,807,140.01	76 7/16" (1941.51mm) - 440/600
	801,807,140.01	68 15/16" (1751.01mm) - 276/300/348/360/368/501
	801,807,140.01	53 9/16" (1360.49mm) - 180
7		Horizontal Trim Top & Bottom
	801,807,140.01	25 3/4" (654.05mm) - 348/360/368/440/501/600
	801,807,140.01	17" (431.8mm) - 180/276/300
8		Delivery Port Trim, Flat (Black)
	801,602,510.31	All Models
B2	900,800,670.01	Keps Nut, 1/4 - 20
B3	900,800,500.01	Keps Nut, #8 - 32
B7	900,800,510.01	Elastic Stop Nut, #8 - 32
D2	900,400,410.01	T-Bolt #8 - 32 x 1 3/8"
D3	900,400,350.41	T-Bolt #8 - 32 x 3/4"
E4	900,201,450.01	Carriage Bolt, 1/4 - 20 x 1/2 "
H1	900,902,130.01	Christmas Tree Clip, #354280307-00

Main Door Exterior

Dr Pepper (D3)



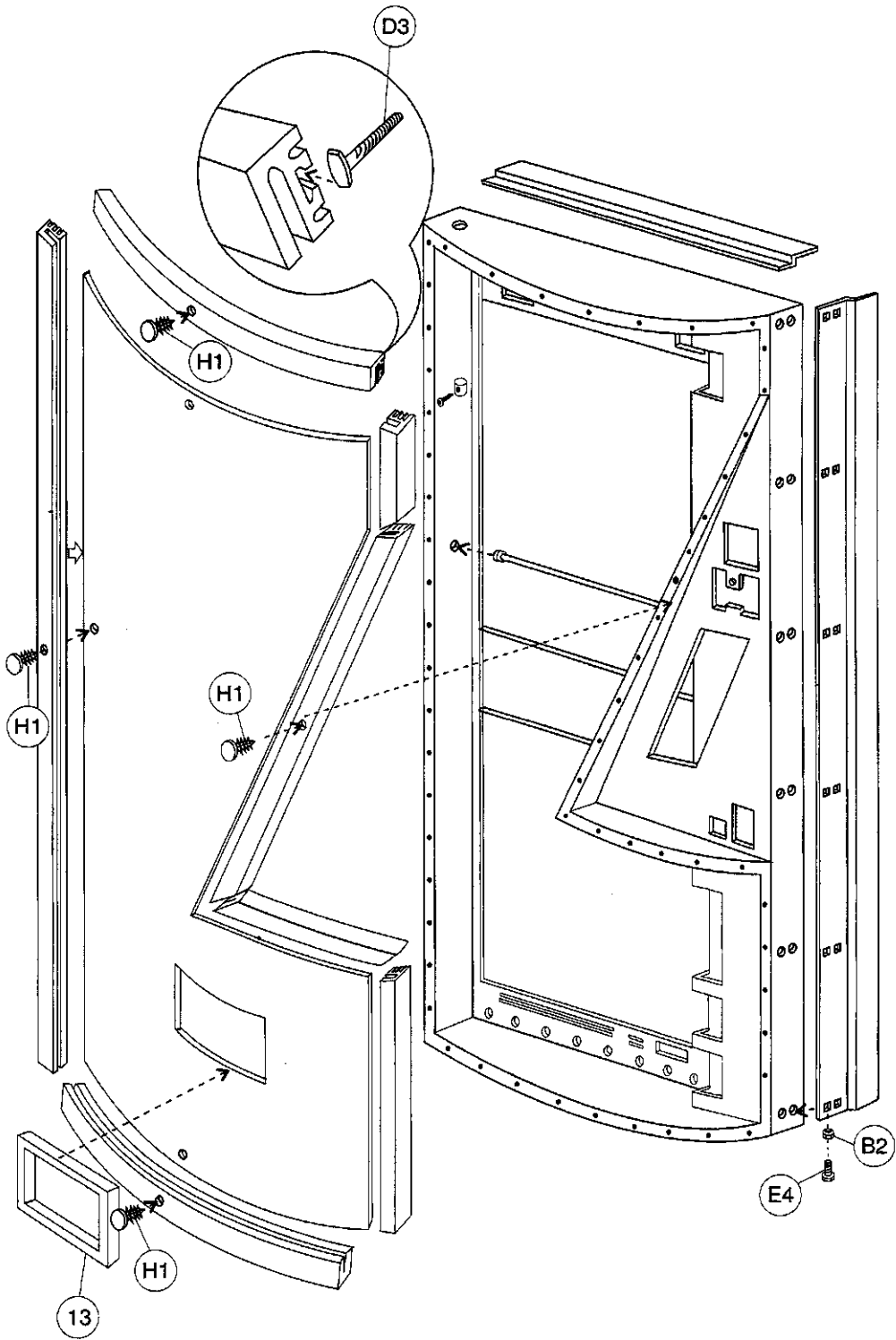
Dr Pepper (D3)

Item	Part Number	Part Name And Description By Model Number
1		Main Door Assembly (Specify Graphics & Harness)
	586,150,000.03	522 VRV (6 Select)
	586,150,300.03	522 VRV SII (6 Select)
	453,150,000.03	440/600 (8 Select)
	453,150,200.03	440/600 VRV (8 Select)
	453,150,300.03	440/600 VRV SII (8 Select)
	453,051,000.03	440 MPC (8 Select)
	461,150,000.03	414 (10 Select)
	461,150,900.03	414 VRV (10 Select)
	461,150,200.03	414 VRV SII (10 Select)
	454,150,000.03	368/501 (8 Select)
	454,150,200.03	368/501 VRV (8 Select)
	454,150,500.03	368/501 VRV SII (8 Select)
	454,050,300.03	368 MPC (8 Select)
	540,150,000.03	348 (10 Select)
	540,150,200.03	348 VRV (10 Select)
	540,150,400.03	348 VRV SII (10 Select)
	456,150,000.03	276 (6 Select)
	456,150,400.03	276 VRV (6 Select)
	456,150,700.03	276 VRV SII (6 Select)
459,150,000.03	180 (5 Select)	
2		Main Door Weld Assembly
	586,150,100.03	522 VRV (6 Select)
	453,050,100.33	440/600 (8 Select)
	453,150,400.03	440/600 VRV & VRV SII (8 Select)
	453,051,100.03	440 MPC (8 Select)
	461,050,100.03	414 (10 Select)
	461,150,300.03	414 VRV & VRV SII (10 Select)
	454,050,100.03	368/501 (8 Select)
	454,150,300.03	368/501 VRV & VRV SII (8 Select)
	454,050,400.03	368 MPC (8 Select)
	540,150,100.03	348 (10 Select)
	540,150,300.03	348 VRV & VRV SII (10 Select)
	456,050,100.13	276 (6 Select)
	456,150,500.03	276 VRV & VRV SII (6 Select)
459,050,100.03	180 (5 Select)	
3		Protective Plate Door
	164,150,331.63	414/440/600
	165,150,331.33	276/348/368/501/522
	168,150,331.63	180
4		Rain Guard
	164,151,142.33	348/368/414/440/501/522/600
	169,050,342.23	180/276
5		Tie Rod
	900,502,510.41	348/368/440/501/522/600
6		Vertical Trim 20 degree Right Side Top
	801,805,620.51	7 1/2" (190.5mm) - 414/440/600
	Not Applicable	180/276/348/368/501/522
7		Vertical Trim Left Side
	801,805,470.21	76 7/16" (1941.51mm) - 414/440/600
	801,805,470.21	68 15/16" (1751.01mm) - 276/348/368/501/522
	801,805,470.21	53 9/16" (1368.49mm) - 180
8		Vertical Trim 20 degree Right Side Bottom
	801,805,620.51	24 3/8" (619.13mm) - 180/276/348/368/414/440/501/522/600
9		Horizontal Trim Top
	801,805,470.21	34 7/16" (874.71mm) - 348/368/414/440/501/522/600
	801,805,470.21	19 3/4" (501.65mm) - 180/276
10		Horizontal Trim Bottom
	801,805,470.21	34 3/8" (873.13mm) - 348/360/414/440/501/522/600
	801,805,470.21	25 9/16" (649.29mm) - 180/276
11		Select Panel Trim Bottom
	801,805,470.21	18 1/16" (458.79mm) - 180/276/348/368/414/440/501/522/600
12		Select Panel Trim Left
	801,805,470.21	49 1/16" (1246.19mm) - 180/276/348/368/414/440/501/522/600

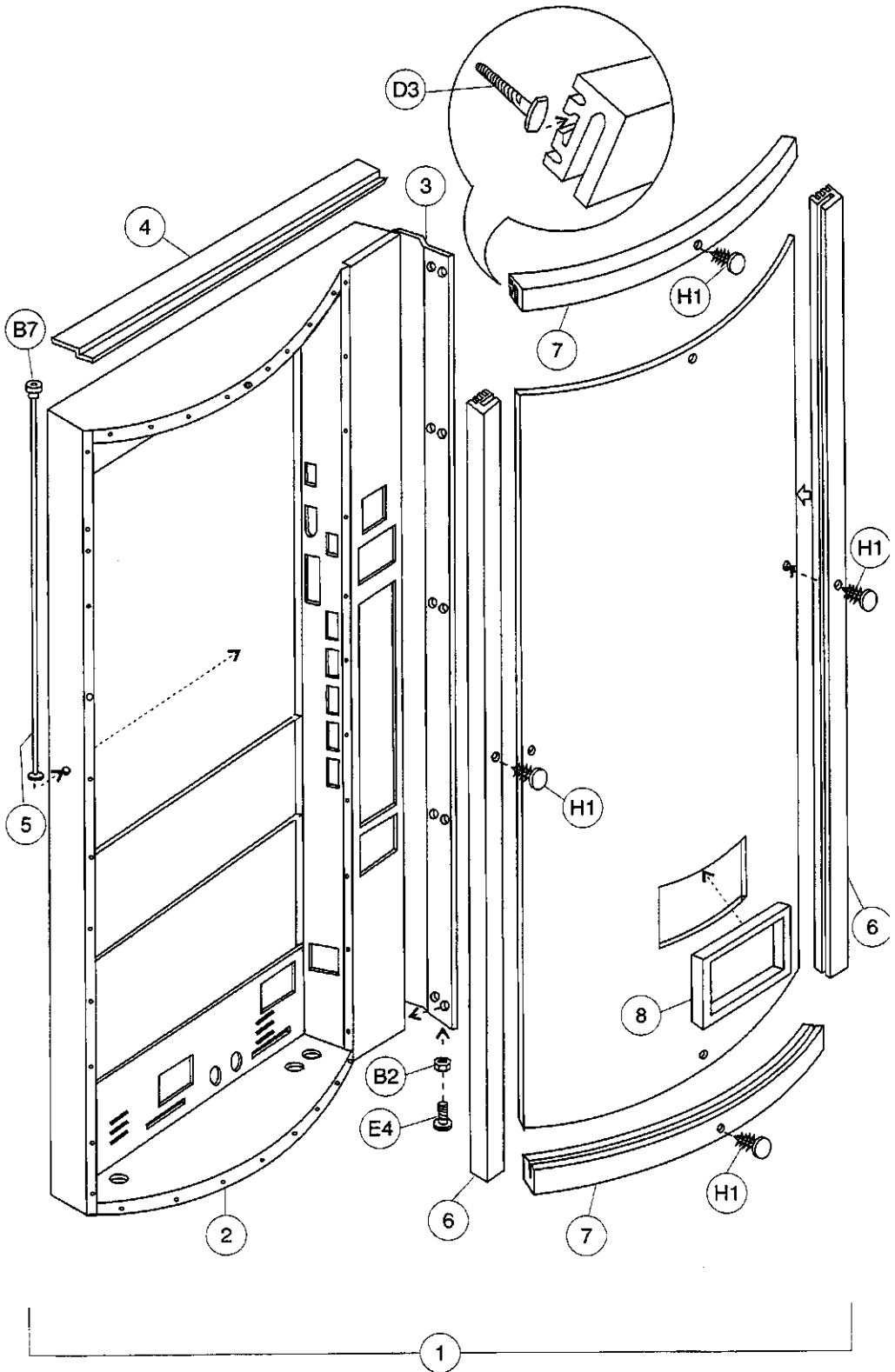
Continued next page

Main Door Exterior

Dr Pepper (D3)



Generic Round



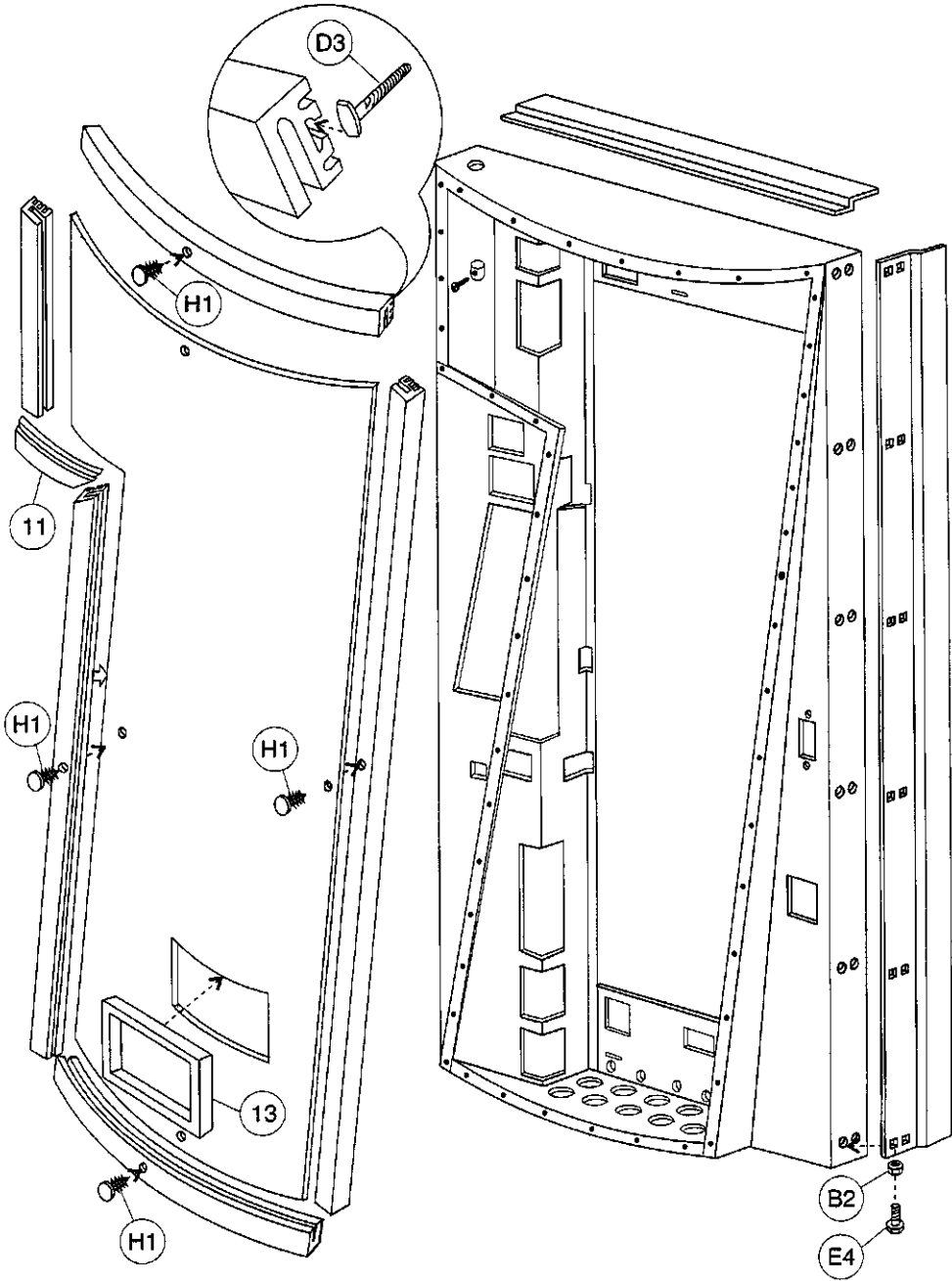
7Up (B7)

Item	Part Number	Part Name And Description By Model Number
1		Main Door Assembly (Specify Graphics & Harness)
	455,150,000.03	440/600 (8 Select)
	455,051,600.03	432 (6 Select)
	467,150,000.03	414 (10 Select)
	462,150,000.03	368/501 (8 Select)
	472,150,000.03	360 (6 Select)
	466,150,000.03	348 (10 Select)
	468,150,000.03	276 (6 Select)
	581,050,000.03	414 SII (10 Select)
	581,050,300.03	368 SII (8 Select)
	564,050,200.03	440 MPC (8 Select)
	563,050,100.03	368 MPC (8 Select)
	581,052,000.03	440/600 (8 Select) VRV
	581,052,400.03	440/600 (8 Select) VRV SII
	462,050,500.03	368/501 (8 Select) VRV
	466,250,000.03	348 (10 Select) VRV
	466,250,300.03	348 (10 Select) VRV SII
	462,250,000.03	276 (6 Select) VRV
	468,150,050.03	276 (6 Select) VRV SII
	581,050,600.03	414 (10 Select) VRV
581,050,700.03	414 (10 Select) VRV SII	
462,050,900.03	368 (8 Select) VRV SII	
2		Main Door Weld Assembly
	455,150,100.33	440/600 (8 Select)
	455,051,500.03	432 (6 Select)
	467,150,100.03	414 (10 Select)
	462,150,100.03	368/501 (8 Select)
	472,150,100.03	360 (6 Select)
	466,150,100.03	348 (10 Select)
	468,150,100.03	276 (6 Select)
	467,150,100.03	414 SII (10 Select)
	462,150,100.03	368 SII (8 Select)
	564,050,100.03	440 MPC (8 Select)
	563,050,200.03	368 MPC (8 Select)
	462,050,600.03	368 (8 Select) VRV
	462,250,100.03	276 (6 Select) VRV
	581,050,800.03	414 (10 Select) VRV
	581,052,100.03	440/600 (8 Select) VRV
	466,250,100.03	348 (10 Select) VRV
3		Protective Plate Door
	164,150,331.63	414/432/440/600
	165,150,331.33	276/348/360/368/501
4		Rain Guard
	164,151,142.33	348/360/368/414/432/440/501/600
	169,050,342.23	276
5		Tie Rod
	900,502,510.41	348/360/368/414/432/440/501/600
6		Vertical Trim 20 degree Left Side Top
	801,805,620.51	19 1/4" (488.95mm) - 414/432/440/600
	801,805,620.51	15 9/16" (395.29mm) - 276/348/360/368/501
7		Vertical Trim Left Side Bottom
	801,805,470.41	59 9/16" (1512.89mm) - 414/432/440/600
	801,805,470.41	55 3/4" (1416.05mm) - 276/348/360/368/501
8		Vertical Trim Right Side
	801,805,470.41	76 15/16" (1954.21mm) - 414/432/440/600
	801,805,470.41	69 7/16" (1763.71mm) - 276/348/360/368/501
9		Horizontal Trim Top
	801,805,470.41	34 1/4" (869.95mm) - 348/360/368/414/432/440/501/600
	801,805,470.41	25" (635mm) - 276
10		Horizontal Trim Bottom
	801,805,470.41	26 1/4" (666.75mm) - 348/360/368/414/432/440/501/600
	801,805,470.41	17" (431.8mm) - 276

Continued next page

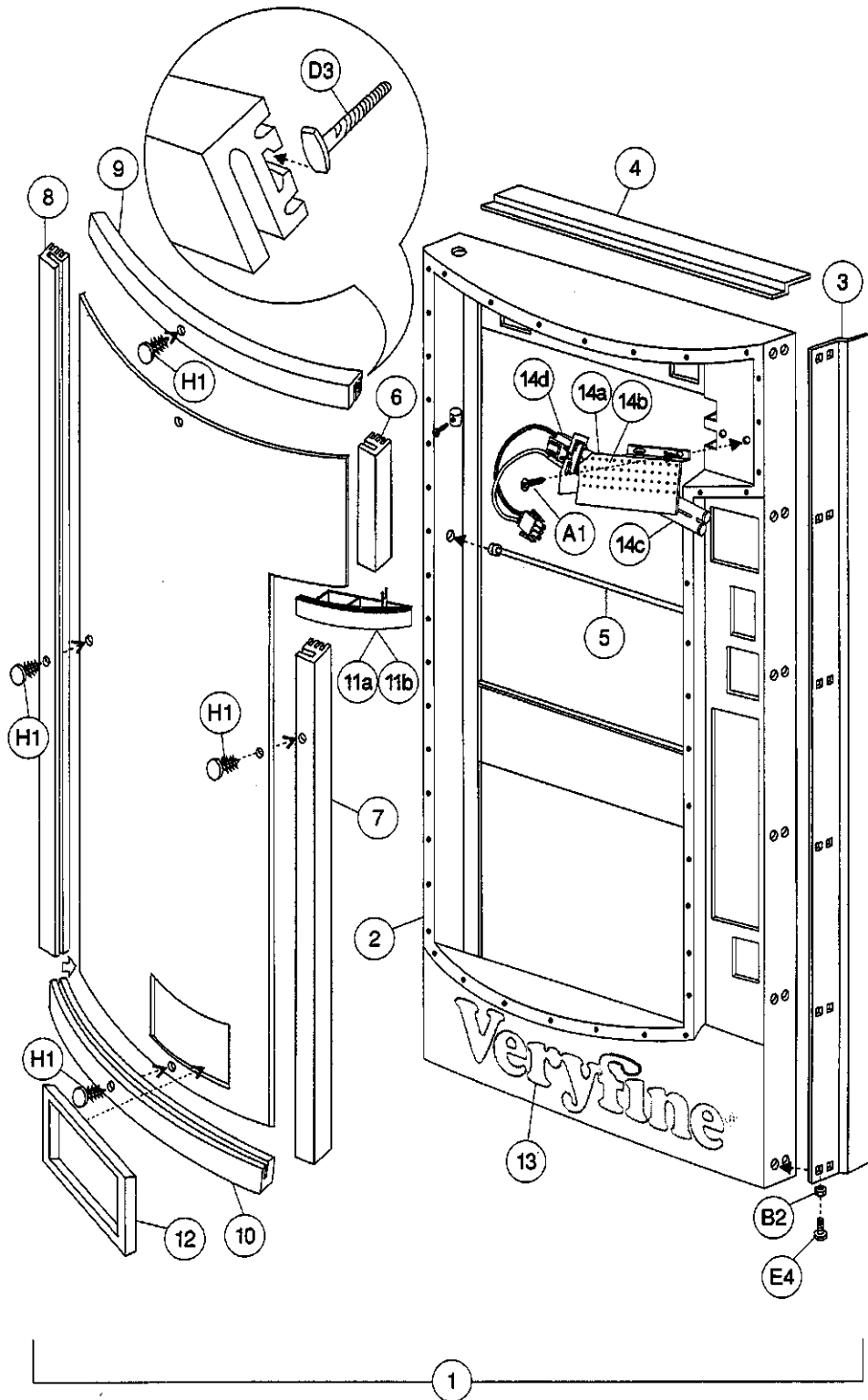
Main Door Exterior

7Up (B7)



Main Door Exterior

Veryfine Circular (0001-3194C0 to 0001-6169AS)



Veryfine Circular (0001-3194CO to 0001-6169AS)

Item	Part Number	Part Name And Description By Model Number
1		Main Door Assembly (Specify Graphics & Harness)
	515,050,700.03	368/501 (8 Select)
	558,050,100.03	368/501 MPC (8 Select)
	583,050,000.03	368/501 SII (8 Select)
	580,050,200.03	360 (6 Select)
2		Main Door Weld Assembly
	515,050,100.13	368/501 SII & Non SII (8 Select)
	558,050,000.43	368/501 MPC (8 Select)
	515,050,100.43	360 (6 Select)
3		Protective Plate Door
	165,150,331.33	All Models
4		Rain Guard
	164,151,142.33	All Models
5		Tie Rod
	900,502,510.41	All Models
6		Vertical Trim Right Side Top
	801,805,620.01	9 3/8" (238.125mm) - All Models
7		Vertical Trim Right Side Bottom
	801,805,470.21	47 3/4" (1212.85mm) - All Models
8		Vertical Trim Left Side
	801,805,470.21	58 3/16" (1477.9625mm) - All Models
9		Horizontal Trim Top
	801,805,470.21	34 3/8" (873.125mm) - All Models
10		Horizontal Trim Bottom
	801,805,470.21	26 7/16" (671.5125mm) - All Models
11a		Enclosure Vault
	801,806,730.01	All Models
11b		Lens, Control Panel Enclosure
	801,806,740.01	All Models
12		Delivery Port Trim - (Black)
	801,602,860.31	All Models
13		Embossment Plate, Veryfine
	805,700,460.01	All Models
14a		POS Light Socket Bracket
	515,050,030.03	All Models
14b		POS Light Shield
	515,050,110.03	All Models
14c		Fluorescent Phil 13/41
	804,700,460.01	All Models
14d		Leviton - Socket (26720-3)
	804,902,230.01	All Models
14e		POS Window Ballast Assembly
	804,905,390.01	All Models
A1	900,301,700.11	Screw, Phil Pan Swage Form #6 - 32 x 3/8"
B2	900,800,670.01	Keps Nut, 1/4 - 20
B3	900,800,500.01	Keps Nut, #8 - 32
B7	900,800,510.01	Elastic Stop Nut, #8 - 32
D2	900,400,410.01	T-Bolt #8 - 32 x 1 3/8"
D3	900,400,350.41	T-Bolt #8 - 32 x 3/4"
E4	900,201,450.01	Carriage Bolt, 1/4 - 20 x 1/2 "
H1	900,902,130.01	Christmas Tree Clip, #354280307-00

Main Door Exterior

Veryfine/RC Inverted "L" Circular

