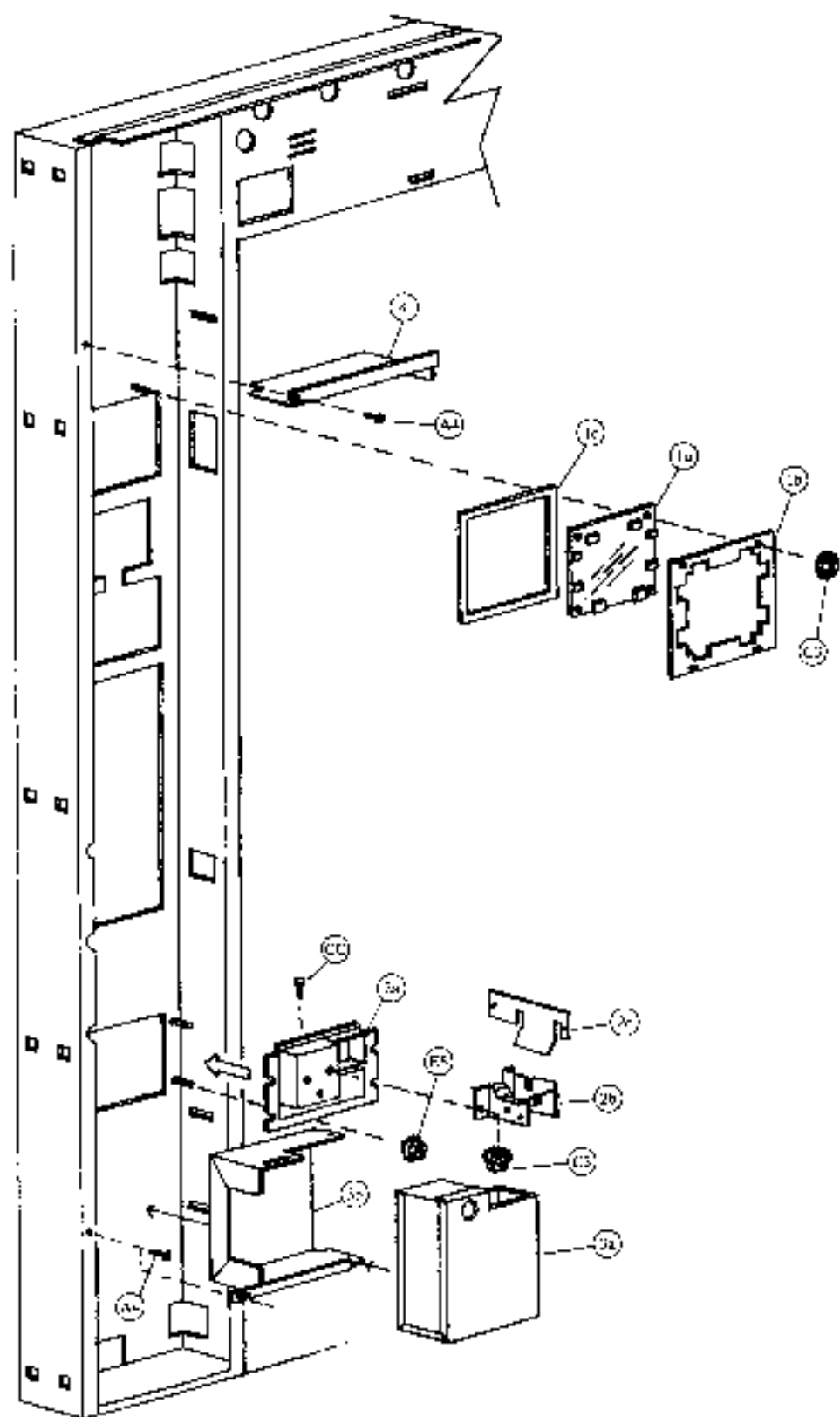


Coke (Landscape) DNCB 276CC & 300CC

Dimensions	72" H x 28 5/16" W x 30 1/2" D (1829mm H x 719mm W x 775mm D)	
Dimensions Less Door	72" H x 28 5/16" W x 27 1/2" D (1829mm H x 719mm W x 698mm D)	
Approximate Weight	574 lbs. (261kg)	
Selections/Columns	300	5/5
	276	6/6
Total 12 oz. (330ml) Cans Capacity/Vend	300	310/300
	276	282/270
Column Capacity 12 oz. (330ml) Cans	300	5 Double Columns - 62 Each
	276	3 Single Columns - 32 Each 3 Double Columns - 62 Each

Main Door - Interior (A) - Coke (Landscape)

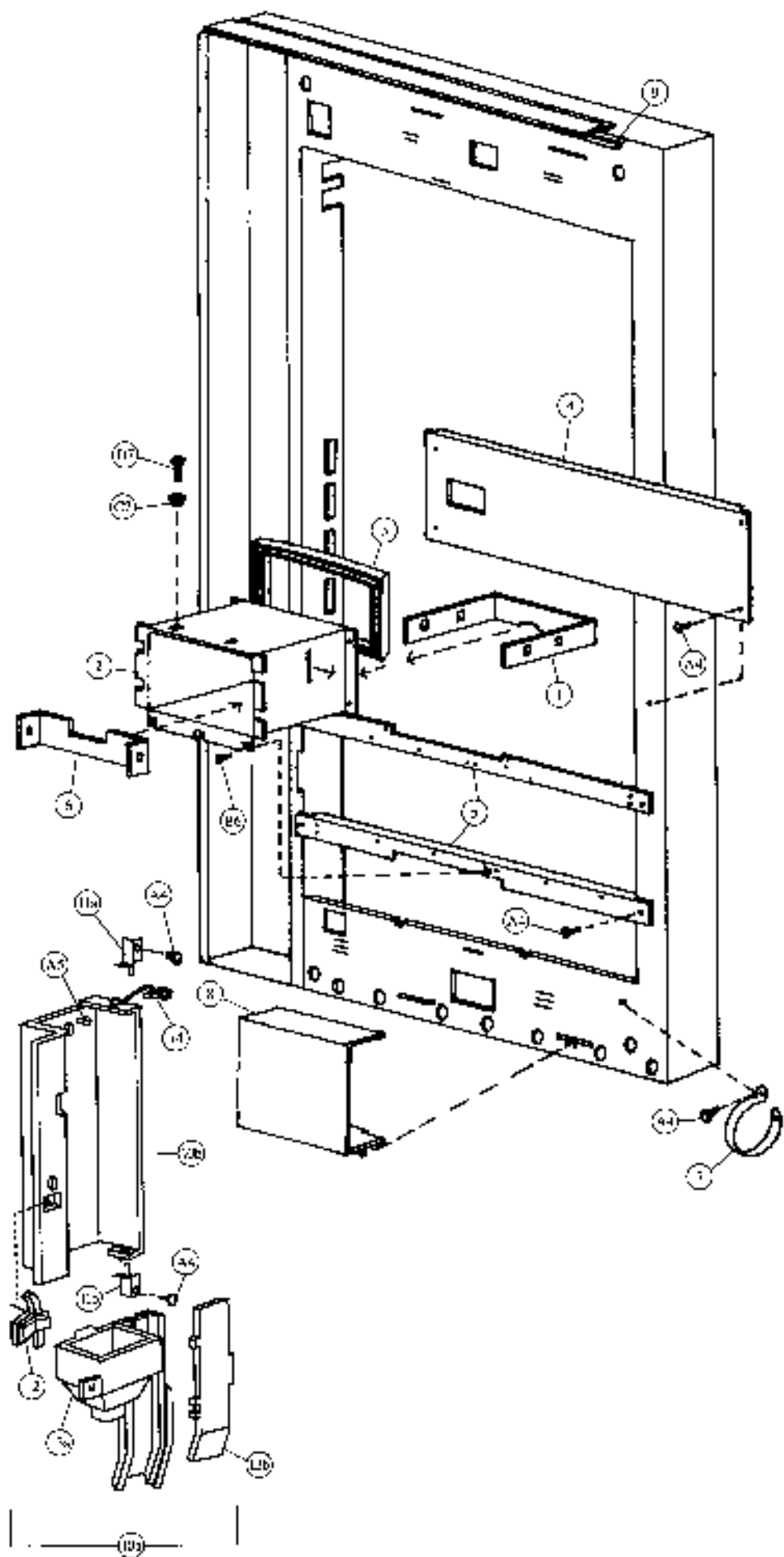


Main Door - Interior (A) - Coke (Landscape)

Item	Part Number	Part Name And Description
1a	801,806,930.01	Point Of Sale Window
1b	432,050,470.23	Point Of Sale Window Retainer
1c	902,001,030.01	Point Of Sale Window Gasket
1d	See list below	Point Of Sale Card (not shown)
	803,822,900.01	12 oz. Can (U.S. & Canada)
	803,826,180.01	12 oz. Can (all others)
	803,826,360.01	"Coke Is It" (Taiwan)
	903,829,220.01	Minute Maid
	803,830,000.01	20 oz. Bottle
	803,829,230.11	16 oz. Bottle
	803,822,190.01	10 oz. Bottle
2a	801,805,610.11	Change Cup & Opener Bezel
2b	801,805,530.11	Change Cup
2c	399,050,270.13	Opener Housing Reinforcement Plate
3a	432,051,800.03	Lockable Cash Box, w/a
3b	432,050,181.43	Cash Box Shelf
4	432,050,340.43	Security Shelf
5	521,050,050.13	P.O.S. Window Security Channel (not shown)
6	901,000,190.01	Crown Puller (not shown)
7	432,050,400.03	Crown Catcher (not shown)
8	432,050,280.23	Crown Chute (not shown)

CC	901,201,220.11	Screw, Machine #8 - 32 x ¼
ES	900,800,510.01	Elastic Stop Nut #8 - 32
B6	900,301,650.01	Screw, Phil Pan (with washer) #8 - 18 x ½ (not shown) (2)
C3	900,800,500.01	Keys Nut #8 - 32 (9)
B4	900,201,140.01	Screw, Machine Truss #10 - 32 (2)
A4	900,301,500.01	Screw, Phil Pan (without washer) #8 x 18 x ½

Main Door - Interior (B) - Coke (Landscape)

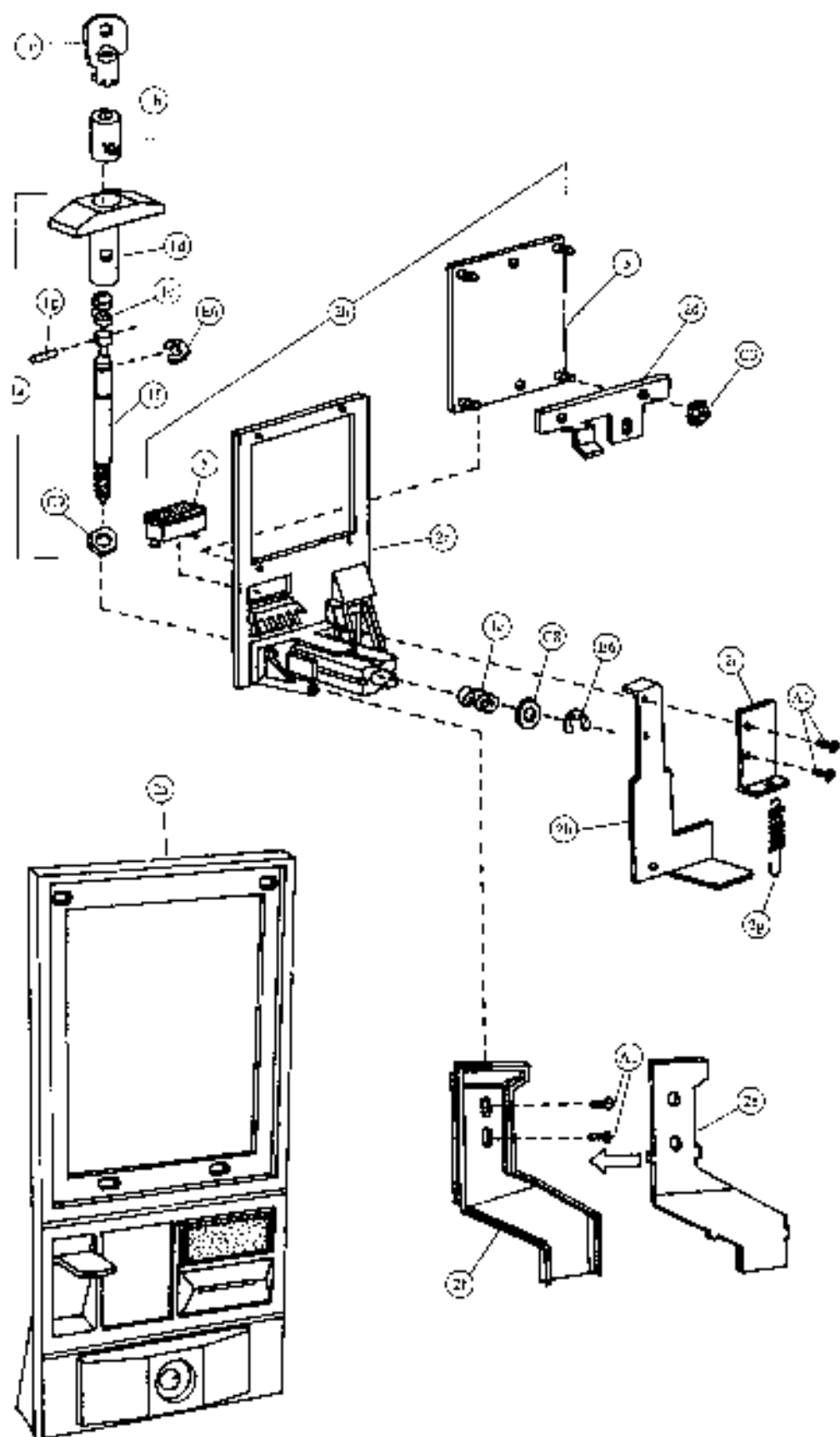


Main Door - Interior (B) - Coke (Landscape)

Item	Part Number	Part Name And Description
1	435,050,110.03	Discharge Member
2	435,050,400.03	Delivery Port (flush mount)
3	801,805,680.01	Port Spacer - Coke
4	456,050,060.13	Center Door Stiffener
5	435,050,030.23	Delivery Port Stiffener
6	399,050,150.43	Closure Strip
7	901,901,890.01	1" Clamp
8	432,050,660.03	Cover, Wire Plug
9	903,600,530.01	J-Profile Gasket
10a	491,050,600.03	Access Door Assembly (all)
10b	432,150,030.23	Access Door (all)
11a	432,051,000.03	Access Door Top Hinge, w/a
11b	432,051,101.63	Access Door Bottom Hinge, w/a
12	901,902,130.11	Access Door Latch
13a	801,806,580.11	Coin Hopper & Chute
13b	801,806,590.11	Coin Chute Front
14	804,902,610.01	4" Ground Wire (102mm)

B6	900,301,650.01	Screw, Phil Pan (with washer) #8 - 18 x 1/2 (3)
A5	900,301,970.01	Screw, Phil Pan #8 - 32 x 3/4
C3	900,800,500.01	Keys Nut #8 - 32
A4	988,501,500.01	Screw, Phil Pan (without washer) #8 - 18 x 1/2 (9)
D7	900,201,170.01	Carriage Bolt 1/4 - 20 x 1 (16)
C2	900,800,670.01	Keys Nut 1/4 - 20 (6)
A9	900,301,560.01	Sems Screw #8 - 32 x 3/4
B7	900,302,010.01	Self-Tapping Screw 1/4 - 20 x 3/4

Pull-Out Handle & Coin Insert - Coke (Landscape)



Pull-Out Handle & Coin Insert - Coke (Landscape)

Item	Part Number	Part Name And Description
1a	801,503,040.01	T Handle Assembly
1b	Specify key number	Lock with Two Keys
1c	Specify key number	Key Only
1c	801,505,730.01	Handle Only
1e	901,503,050.01	Spring
1f	4255 6 44W	Stud
1g	901,503,090.11	Cross Pin
2a	See list below	Complete Coin Insert Kit with T Handle
	491,010,800.04	Domestic (USA and Canada)
	Not applicable	Export (All others except listed below)
	Not applicable	Mexico
	Not applicable	Argentina - Token
2b	See list below	Complete Coin Insert Kit without T Handle
	491,050,500.03	Domestic (USA and Canada)
	491,150,500.07	Export (All others except listed below)
	480,350,500.03	Mexico
	480,550,500.03	Argentina - Token
2c	See list below	Coin Insert Only
	801,201,160.41	Domestic (USA and Canada)
	801,201,170.21	Export (All others except listed below)
	801,201,280.11	Mexico
	801,201,270.21	Argentina - Token
2d	453,050,130.83	Coin Insert Retainer
2e	801,805,800.31	Coin Chute Cover
2f	801,805,790.61	Coin Chute
2g	901,700,630.11	Spring Extension
2h	453,050,800.03	Coin Return Plunger Assembly
2i	432,050,570.33	Plunger Bracket
3	452,050,210.23	Validator Plate
4	See list below	Instruction Label (not shown)
	803,822,950.01	English
	903,832,680.01	Irish
	803,825,760.01	Spanish
	803,825,410.01	French
	803,825,750.01	Italian
	803,825,740.01	German
	See list below	Correct Change Lamp
904,700,180.51	English "Use Correct Change"	
804,700,500.11	English, IEC Standard "Use Correct Change"	
804,700,440.51	Spanish "Importe Exacto"	
804,700,450.21	French "Rentes L'Appoint"	
804,700,400.21	Italian "Usare Monete Corrette"	
804,700,470.21	Turkish "Lutfen Para Atiniz"	
804,700,480.21	German "Abgezahletes Gold Verwendeb"	
904,700,490.21	Portuguese "Introduza Quantia Exacta"	
6	801,806,080.11	Drip Chute (not shown)

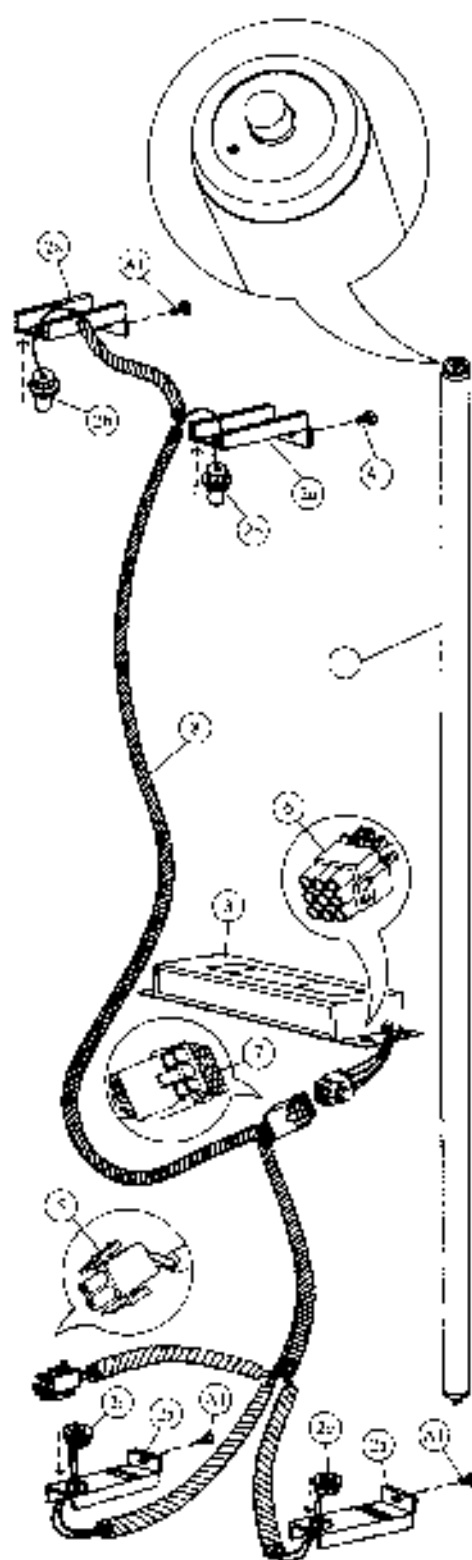
E6	901,506,070.01	E Ring	(2)
C8	901,503,060.01	Flat Washer	
C9	901,503,080.01	Hex Washer	
A1	910,301,710.01	Studs Screw #6-32 x 1/2	(4)
C3	900,800,500.01	Keeps Nut #8-32	(4)

Select Panel - Coke (Landscape)

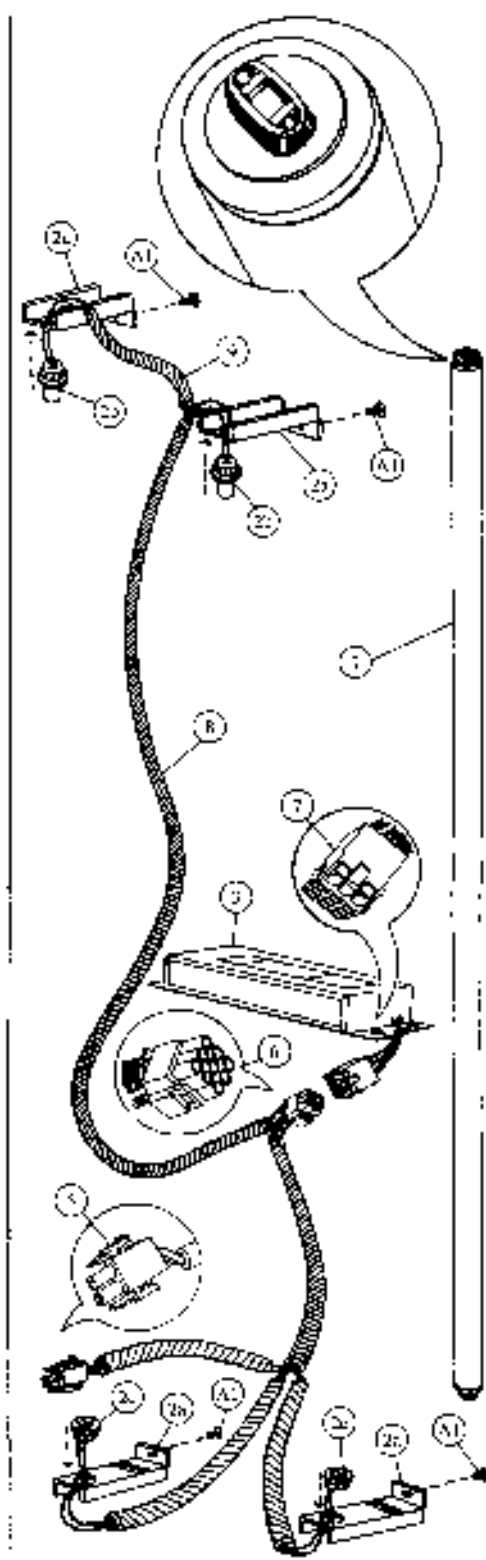
Item	Part number	Part Name And Description
1	443,050,400.03	276 Select Panel Assembly (specify harness)
	495,050,400.03	300 Select Panel Assembly (specify harness)
2	801,805,730.01	276 Select Panel
	801,805,720.01	300 Select Panel
3a	See list below	276 Door Harness
	804,903,740.31	Single Price & Single Price - IEC Standard
	804,903,940.41	Two Price & Two Price - IEC Standard
	804,904,070.41	Four Price & Four Price - IEC Standard
3b	See list below	300 Door Harness
	804,903,760.21	Single Price & Single Price - IEC Standard
	804,903,980.31	Two Price & Two Price - IEC Standard
	804,904,100.31	Four Price & Four Price - IEC Standard
4	443,050,700.03	276 Select Switch Bar Assembly
	495,050,700.03	300 Select Switch Bar Assembly
5	443,050,030.63	276 Select Switch Bar
	445,050,150.63	300 Select Switch Bar
6	904,600,830.01	15-Way Plug
7a	904,600,620.01	Socket, Relay
7b	904,600,600.01	Socket, Coin Changer
8	804,200,170.01	Vend Relay (single price only)
9	901,901,890.01	1" Clamp
10a	801,805,710.21	Push Button
10b	901,700,720.11	Push Button Spring
11	801,805,920.21	Switch Insulator
12	902,000,580.01	Nylet
13	804,700,210.01	Sold Out Lamp
14	Indicate flavor	Flavor Cards (not shown)
15	804,100,710.01	Select Switches (single Micro)
16	904,600,700.01	2 Way Cap

A4	900,301,500.01	Screw, Phil Pan (without washer) #8 - 18 x 1/2	(2)
A9	900,301,560.01	Scms Screw #8 - 32 x 3/4	(7)
A7	900,300,470.01	Screw, Phil Pan #4 x 3/4	(14)
D3	900,400,430.01	T-Bolt #8 - 32 x 1	(4)
C3	900,800,500.01	Keps Nut #8 - 32	(14)

Lighting - Coke (Landscape)



Slideline



High-Output

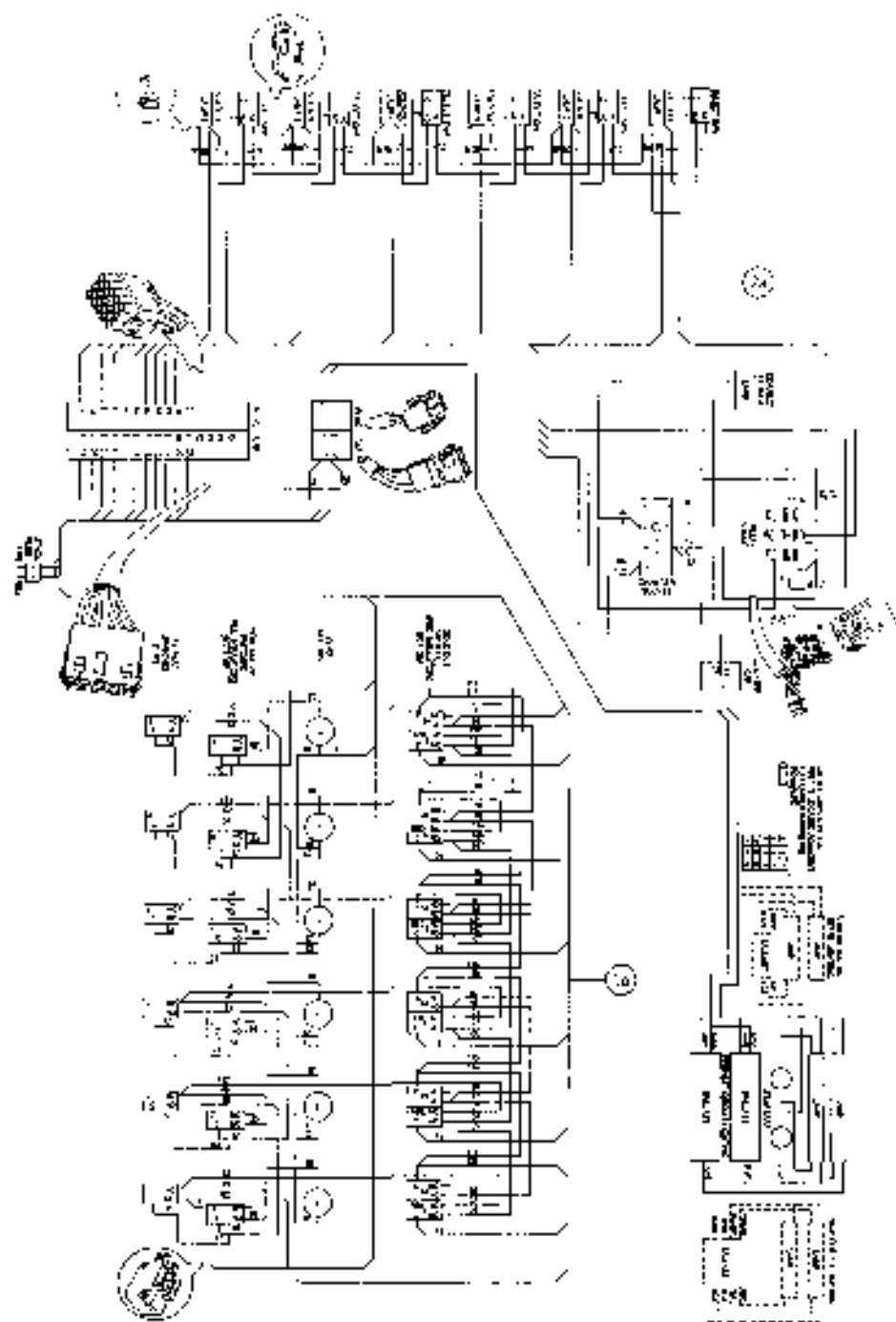
Lighting - Coke (Landscape)

Item	Part Number	Part Name And Description
High-Output Lighting		
1	804,700,370.01	Fluorescent Bulb - F64T12/D/HO
2a	432,050,380.63	Door Bracket Lamp Socket
2b	804,901,990.01	Top Lamp Holders - 523
2c	804,902,000.01	Bottom Lamp Holders - 524
3	804,400,380.01	Plug-In Ballast, Advance #VSM/HO
4	904,800,520.01	Connector, Electrical (not shown) (stocklock 557)
5	904,600,710.01	2-Way Plug
6	904,600,670.01	9-Way Plug
7	904,600,660.01	9-Way Cap
8	804,904,510.21	Plug-In Ballast Harness, High Output
9	804,904,920.11	Lamp Fixture Jumper, High Output

Slimline Lighting		
1	804,700,300.01	Fluorescent Bulb - F64T12/DAYLT
2a	432,050,380.63	Door Bracket Lamp Socket
2b	804,902,020.01	Top Lamp Holders - 516
2c	804,902,030.01	Bottom Lamp Holders - 517
3	804,400,370.11	Plug-In Ballast - Advance Slimline
4	904,800,520.01	Connector, Electrical (not shown) (stocklock 557)
5	904,600,710.01	2-Way Plug
6	904,600,670.01	9-Way Plug
7	904,600,660.01	9-Way Cap
8	804,904,600.61	Plug-In Ballast Harness, Slimline

A1	900,301,700.01	Sheet Metal Screw #6 - 32 x $\frac{1}{4}$	(4)
----	----------------	---	-----

Wiring Harness - Coke (Landscape)



Sample Diagram
6 Column Dual Adaptable, Single Price

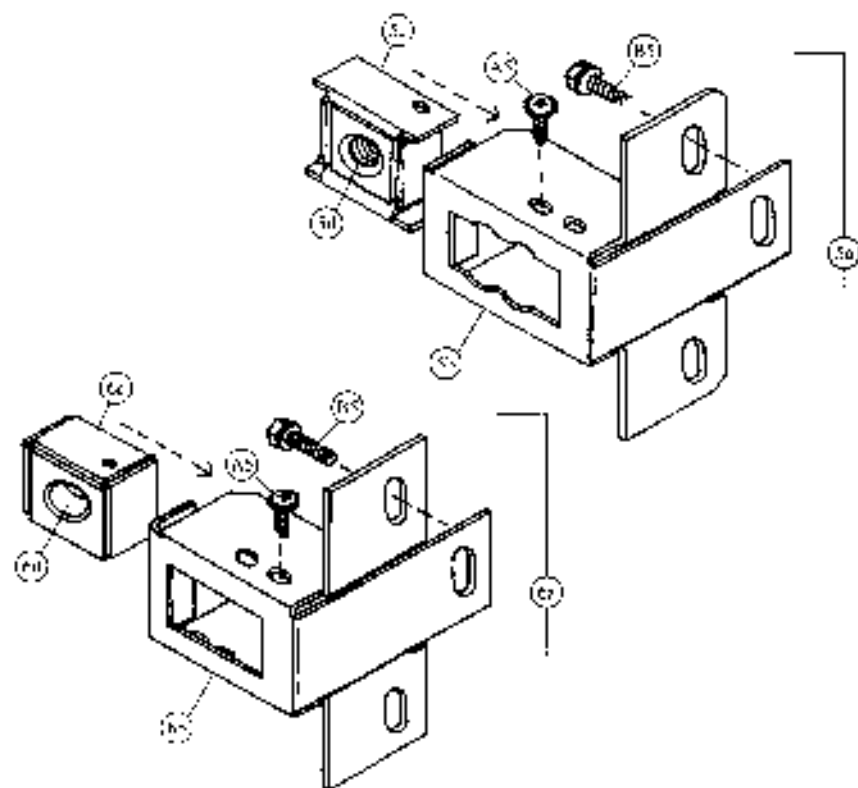
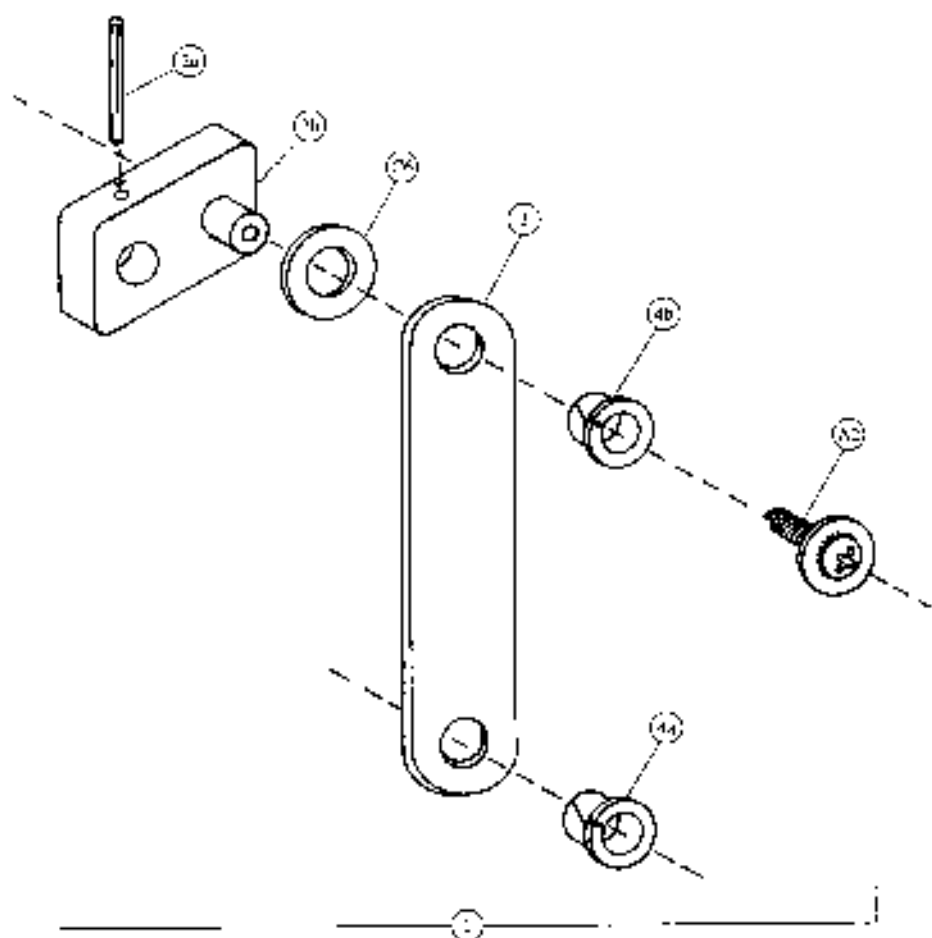
Inner Door - Coke (Landscape)

Item	Part Number	Part Name And Description
1	493,050,200.03	Inner Door Assembly
2	801,804,030.11	Inner Door Gasket
3	901,501,700.01	Knob
4a	801,806,920.01	Discharge Frame Assembly (includes 4b & 4c)
4b	801,806,600.01	Delivery Door
4c	801,806,550.01	Discharge Frame
4d	801,806,560.01	Retainer Frame Inner Door
5a	169,053,001.13	Inner Door Top Hinge, w/a
5b	169,051,101.63	Inner Door Bottom Hinge, w/a
5c	901,803,710.01	Plastic Bearing
6a	801,806,420.31	Bushing - Inner Door
6b	801,806,430.31	Bushing Retainer - Inner Door
7	904,902,610.01	4" Ground Wire (102mm) (not shown)

A4	900,301,500.01	Screw, Phil Pan (without washer) #8 - 18 x 1/4
D8	900,201,230.11	Carriage Bolt 1/4 - 20 x 1 1/4
B6	900,301,650.01	Screw, Phil Pan (with washer) #8 - 18 x 1/2 (53)
B7	900,302,010.01	Self-Tapping Screw 1/4 - 20 x 3/8
B9	900,800,650.01	Keps Nut #10 - 32 (4)
B4	900,201,140.01	Screw, Machine Truss #10 - 32 x 1/2 (2)

When Ordering Parts, Indicate Model # And Serial # Of Vender. All Parts Numbers And Prices Are Subject To Change Without Notice.

Two-Bar Linkage & Nut Retainer Housing - Coke (Landscape)

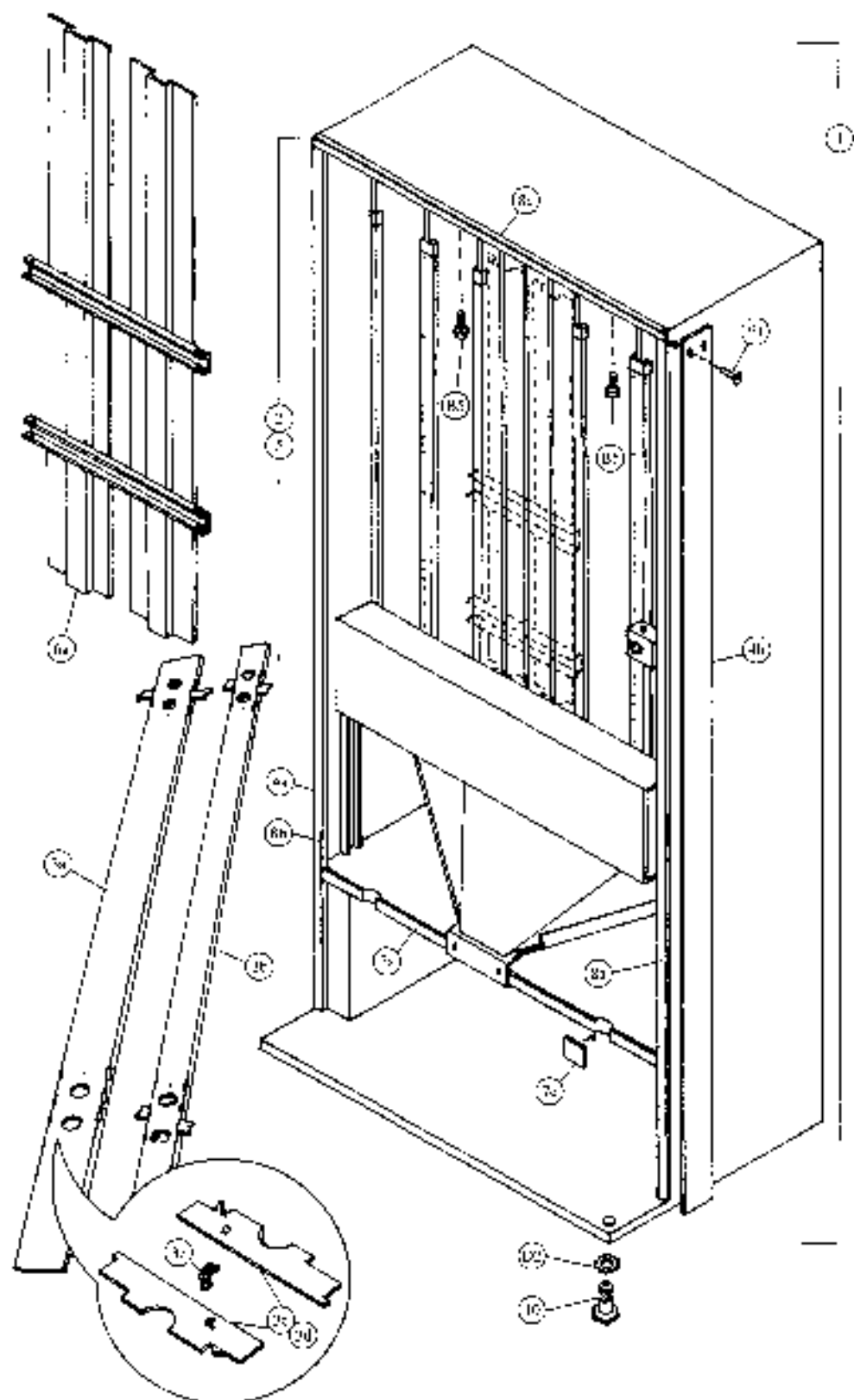


Two-Bar Linkage & Nut Retainer Housing - Coke (Landscape)

Item	Part Number	Part Name And Description
1	491,070,500.03	Linkage & Drive Arm Assembly
2a	900,901,940.01	Groove Pin, 1 3/16" (30mm)
2b	801,200,950.61	Drive Arm
3	801,201,030.01	Linkage Arm
4a	801,803,160.01	Top Nyliner
4b	801,804,770.01	Bottom Nyliner
5a	432,052,500.04	Traditional Nut Retainer Housing Assembly
5b	432,050,750.03	Traditional Nut Retainer Housing
5c	801,303,850.11	Traditional Cage Nut
5d	900,800,570.11	Square Nut, 1/2 - 13 N.C.
6a	432,052,600.04	Star Lock Nut Retainer Housing Assembly
6b	432,050,760.03	Star Lock Nut Retainer Housing
6c	801,303,860.11	Cage Nut Star Lock
6d	801,505,510.01	Latch Housing Star Lock

C6	900,700,600.01	Flat Washer, Delrin .040
A2	900,301,640.01	Sems Screw #8 - 32 x 1/2
B5	900,301,730.21	Sems Screw 1/4 - 20 x 1
A5	900,301,970.01	Sems Screw #8 - 32 x 1/4

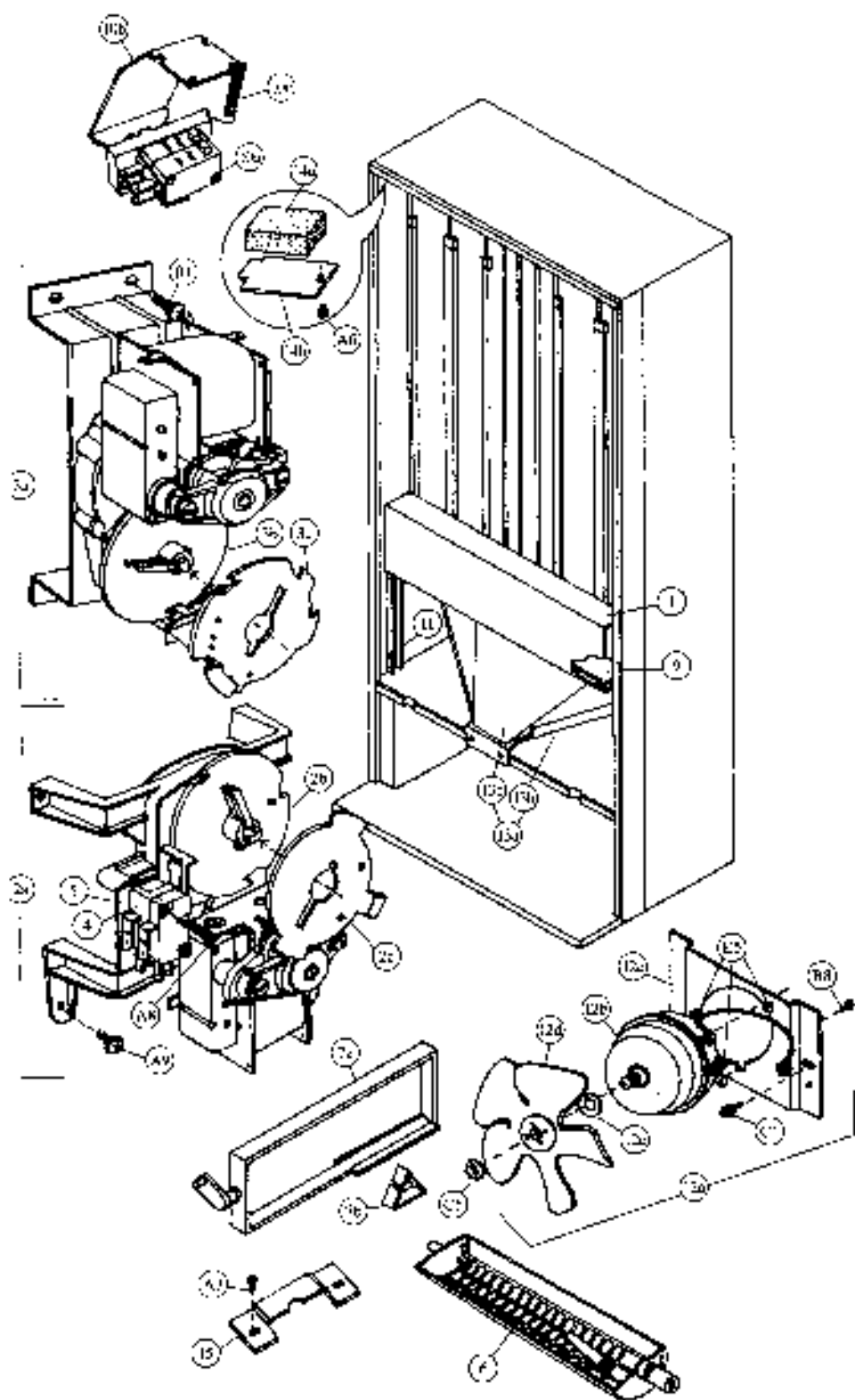
Cabinet Interior - Coke (Landscape)



Cabinet Interior - Coke (Landscape)

Item	Part Number	Part Name And Description	
1	493,000,700.03	Foam Cabinet Assembly	
2a	See list below	276 Stack Assembly (specify harness)	
	493,070,000.03	Single Price & Single Price - IEC Standard	
	493,170,000.03	Two/Four Price & Two/Four Price - IEC Standard	
2b	See list below	300 Stack Assembly (specify harness)	
	534,070,000.03	Single Price & Single Price - IEC Standard	
	534,170,000.03	Two/Four Price & Two/Four Price - IEC Standard	
3a	492,070,200.03	Rear Spacer, Wide Column	
3b	492,070,300.03	Rear Spacer, Narrow Column (276 only)	
3c	267,070,080.53	Latch Finger, Long	
3c	267,070,210.43	Latch Finger, Short (276 only)	
3e	901,700,690.01	Rear Spacer Spring	
4a	165,000,031.53	Protective Plate, LS Cabinet (not shown)	
4b	165,000,041.63	Protective Plate, RS Cabinet	
5	493,070,100.03	276 Stack Sub Assembly	
	534,070,100.03	300 Stack Sub Assembly	
6a	493,070,200.03	Gate, w/h (276 only)	
6b	231,070,140.13	Gate Hinge (276 only) (not shown)	
6c	231,070,260.73	Gate Latch (276 only) (not shown)	
7a	801,806,280.41	Mullion	
7b	801,806,330.21	Mullion Cover, Metal (not shown)	
7c	801,806,220.11	Mullion Cover, Plastic (obsolete)	
8a	492,020,090.03	Breaker Strip, Right	
8b	492,020,030.03	Breaker Strip, Left	
8c	493,020,060.03	Breaker Strip, Top	
9a	480,000,100.13	Ballast Plate Assembly (not shown)	
	491,020,800.23	Ballast Plate Assembly - IEC Standard (not shown)	
9b	452,020,070.23	Ballast Plate (not shown)	
	492,050,100.03	Ballast Plate - IEC Standard (not shown)	
10	900,502,450.71	Leveling Leg, 5/8" (4)	
11	491,070,020.13	Mounting Bracket, Rear (not shown)	
12	437,010,130.13	Rodent Guard, Narrow (not shown)	
	476,010,400.13	Rodent Guard, Narrow - IEC Standard (not shown)	
13	804,400,760.03	Transformer, Busier Isolation (not shown)	
14	804,902,270.11	Transformer, Jumper (not shown)	
15	not applicable	Transformer, Juniper - IEC Standard (not shown)	
16a	901,902,280.01	Heyco Wire Clip #3699 (not shown)	
16b	900,901,590.01	Cable Clamp, Green (not shown)	
11a	901,100,430.01	Pop Rivet, 1/4" (10)	
B5	900,301,730.21	Self-Tapping Screw 1/8" - 20 x 1 (4)	
D1b	901,100,440.01	Drive Rivet, 1/8" (10)	
D2	900,700,890.01	Lock Washer, 1/4"	
D2	901,100,520.01	Pop Rivet, 1/2"	

Cabinet & Vend Mechanism - Coke (Landscape)

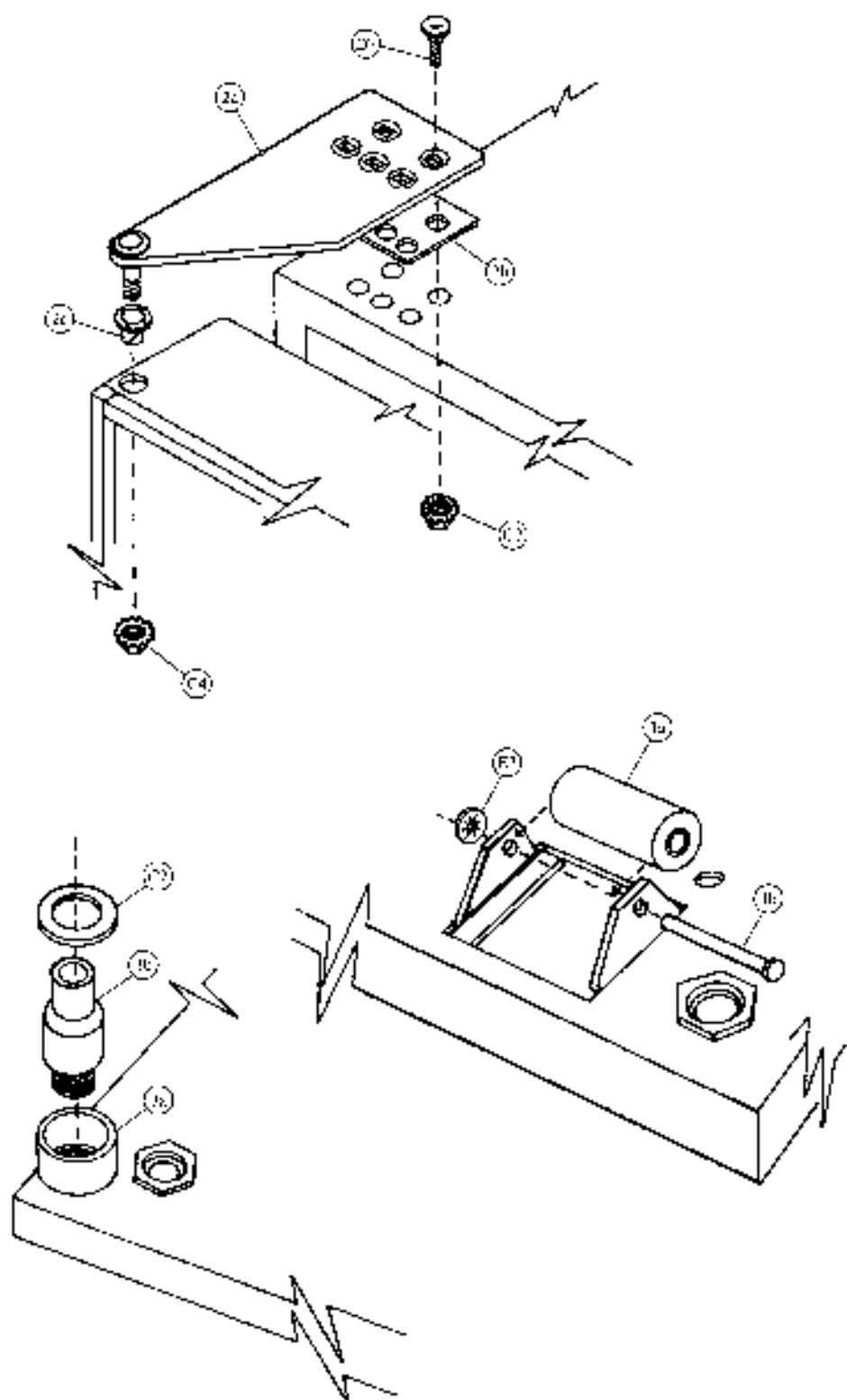


Cabinet & Vend Mechanism - Coke (Landscape)

Item	Part Number	Part Name And Description
1	493,170,010.23	Vend Motor Cover, Narrow
	491,071,300.01	Vend Motor Cover, Narrow - IEC Standard
2a	See list below	Vend Motor Assembly, Wide
	491,070,300.03	Single Price
	491,170,100.03	Two/Four Price
2b	801,806,390.21	Vend Cam, Blue
2c	301,306,400.11	Adjustable Cam, Gold
3a	See list below	Vend Motor Assembly, Narrow (276 only)
	491,070,400.03	Single Price
	491,170,200.03	Two/Four Price
3b	801,806,180.21	Vend Cam, Brown (276 only)
3c	801,806,610.21	Adjustable Cam, Brown (276 only)
4	See list below	Vend Motor Switch
	804,100,600.01	Single Price (Double Switch)
	804,100,690.01	Single Price - IEC Standard (Double Switch)
	804,100,700.01	Two/Four Price - IEC Standard (Triple Switch)
5	905,801,330.21	Vend Motor Switch Insulator
6	801,201,211.61	Vend Rotor - Narrow Column (276 only)
7a	901,201,010.01	Vend Oscillator - Wide Column
7b	904,700,650.31	Cap. Retainer Oscillator
8a	801,803,170.21	Nyliner, Rear (not shown)
8b	901,804,230.01	Nyliner, Front - Wide Column only (not shown)
9	375,070,110.43	Wine Shield
10a	804,100,610.01	Sold Out Switch Assembly
	804,100,680.01	Sold Out Switch Assembly - IEC Standard
10b	432,070,190.13	Sold Out Paddle
10c	901,700,740.01	Sold Out Paddle Spring
11	491,020,070.33	Mechanism Support
12a	See list below	Evaporator Fan Motor Assembly
	491,000,200.03	115v
	491,140,400.03	220-240v
12b	See list below	Evaporator Fan Motor
	804,500,590.01	115v
	804,500,520.01	220-240v
12c	164,040,080.73	Evaporator Fan Motor Bracket
12d	801,303,270.11	Evaporator Fan Blade
12e	902,100,290.01	Silencer
13a	408,170,100.03	Can Chute Assembly (includes 13b & 13c)
13b	408,170,010.03	Can and Bottle Chute
13c	801,902,120.01	Chute Liner (Kydex)
14a	903,400,170.01	Pinon Block
14b	169,000,130.03	Hinge Pocket Cover
15	176,072,110.13	Journal

C1	900,801,510.02	Screw, Phil Pan Tapping
A3	900,301,830.01	Sems Screw #10 - 32 x 1/2 (8)
AC	900,600,230.02	Sheet Metal Screw, Type "A"
BN	900,701,690.01	Flex Top Screw #8 - 32 x 3/4 (3)
A8	900,301,820.01	Vend Motor Screw #4 x 1 1/2 - Double Switch (16)
	900,301,610.01	Vend Motor Screw #4 x 1 1/2 - Triple Switch
A9	900,301,560.01	Sems Screw #8 - 32 x 1/2 (28)
E5	900,401,090.01	Grommet, Black Rubber #97 (3)
C5	900,800,850.01	Speed Nut
B1	900,301,850.01	Sems Screw #8 - 32 x 1/2

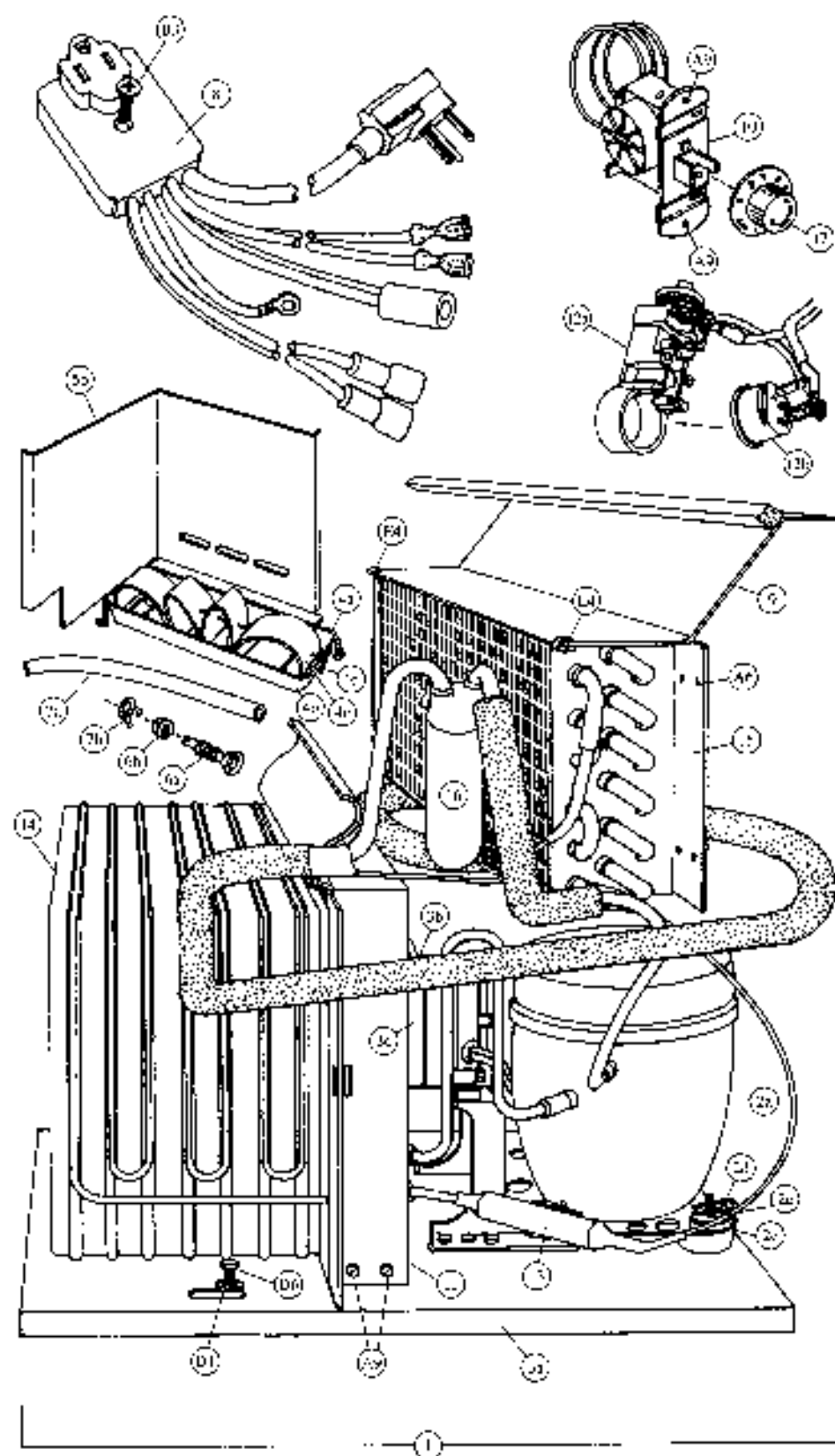
Hinges and Rollers - Coke (Landscape)



Hinges and Rollers - Coke (Landscape)

Item	Part Number	Part Name and Description	
1a	901,806,200.11	Roller	
1b	900,502,190.01	Roller Pin	
2a	801,303,730.01	Top Hinge	
2b	169,000,150.53	Hinge Spacer	
2c	901,803,150.01	Standard Flange Nyliner	
3a	900,502,640.01	Bottom Hinge Sleeve	
3b	900,502,650.21	Bottom Hinge Pin	
F7	900,900,900.01	Retainer	
D7	900,201,170.01	Carriage Bolt 1/4 - 20 x 1	(5)
C2	900,800,670.01	Keys Nut 1/4 - 20	(5)
C7	901,303,770.01	Flat Washer	
C4	900,800,690.01	Keys Nut, Top Door Hinge 1/4 - 16	

Refrigeration - Coke (Landscape)



Refrigeration System - Coke (Landscape)

Item	Part Number	Part Name And Description
1	Provide information listed	Complete Refrigeration System: Indicate unit model number from serial plate on unit base plate, refrigerant, voltage/hertz and country
2a	Provide information listed	Compressor $\frac{1}{2}$ HP Indicate compressor manufacturer, voltage/hertz, refrigerant and complete manufacturer's model number.
2b	See listing below	Compressor Lead Harness (not shown)
	804,900,611.01	All, except IEC Standard
	804,904,340.01	220-240v/50hz, IEC Standard
2c	902,000,570.01	Compressor Mounting Grommet
2d	900,901,880.01	Compressor Mounting Retainer Clip
2e	901,803,910.01	Compressor Grommet Plug, Plastic
3a	491,040,030.03	Condenser Base Plate
3b	See list below	Condenser Fan Motor Assembly
	491,040,200.03	115v
	491,140,300.03	220-240v
3c	See list below	Condenser Fan Motor
	804,500,670.01	115v
	804,500,700.01	220-240v
3d	800,103,170.02	Fan Blade (not shown)
4a	491,000,100.03	Drain Pan Assembly
4b	801,303,670.11	Drain Pan
4c	901,900,020.21	Soaker (8 required)
4d	901,400,060.11	Soaker Rod
5a	491,000,030.33	Condenser Baffle, Right Side (not shown)
5b	493,040,040.03	Condenser Baffle, Rear
6a	801,806,050.11	Drain Tube
6b	900,301,790.01	Drain Tube Nut
7a	901,900,500.01	Drain Hose
7b	900,901,030.01	Drain Hose Clamp
8	See listing below	Main Wiring Harness
	804,902,320.01 (a)	United States
	804,905,480.01 (b)	Australia, IEC 335 (not shown)
	804,905,490.01 (c)	United Kingdom, IEC 335 (not shown)
	804,902,160.21 (d)	Europe (not shown)
	804,903,160.01 (e)	Mexico (not shown)
	804,905,450.01 (f)	Italy (not shown)
	804,905,470.01 (g)	Danish, IEC 335 (not shown)
	804,905,360.01 (h)	Germany, with Splashwater Protector (not shown)
9	143,040,011.13	Top Fan Housing
10	807,800,410.01	Temperature Control
11	491,040,130.03	Fan Shroud Condenser
12a	Provide information listed	Relay: Indicate compressor manufacturer, model # and voltage/hz
12b	Provide information listed	Overload: Indicate compressor manufacturer, model # and voltage/hz
13	802,401,260.01	Dryer
14	802,600,560.01	Condenser
15	802,600,370.51	Evaporator
16	802,400,460.01	Accumulator
17	802,800,420.01	Knob, Temperature Control
A6	900,600,250.02	Sheet Metal Screw, Type "A" (not shown) (2)
A9	900,301,560.01	Series Screw #6 - 32 x $\frac{3}{8}$ (8)
B3	900,301,810.01	Screw, #10 - 32 x 1.5
D1	900,700,360.01	Lockwasher, $\frac{3}{8}$ " (2)
F1	900,901,890.01	Tensioning Clip (2)
D6	900,400,440.01	Refrigeration Bolt $\frac{3}{8}$ - 16 x 1 (2)

When Ordering Parts, Indicate Model # And Serial # Of Vendor.
A: Parts Numbers And Prices Are Subject To Change Without Notice.

Signs and Decals - Coke (Landscape)



①



②



③

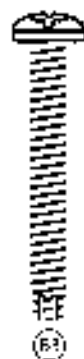
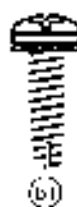
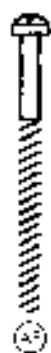
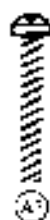


④

Signs & Decals - Coke (Landscape)

Item#	Part Number	Part Name And Description
1	See list below	Circular Coke Signs
	805,006,470.01	Coca-Cola (USA) (shown)
	805,006,670.01	Coca-Cola Beba
	805,006,700.01	Coca-Cola French
	805,006,780.01	Coca-Cola International
	805,007,230.01	Coca-Cola Italy
	805,007,820.01	Coca-Cola Buvez
	805,008,050.01	Coca-Cola Australia
	805,008,450.01	Coca-Cola Dominant Chinese Front
	805,008,650.01	Coca-Cola Tome Buenos Aires
	805,009,530.01	Coca-Cola Taiwan
	805,009,680.01	Coca-Cola Can On Ice
	805,009,480.01	Coca-Cola Lit Bevette Italy
	2	805,006,600.01
3	805,009,390.01	Minute Maid Sign
4	See list below	Coca-Cola Side Decals
	803,822,210.11	Coca-Cola (USA) (shown)
	803,823,110.01	Coca-Cola Beba
	803,823,280.01	Coca-Cola CSA French
	803,823,390.01	Coca-Cola International
	803,825,030.01	Coca-Cola Italy
	803,826,140.01	Coca-Cola France
	803,827,620.01	Coca-Cola Dominant English
	803,827,670.01	Coca-Cola Tome Buenos Aires
	803,829,410.01	Coca-Cola Taiwan
	803,831,000.01	Coca-Cola Greece
803,829,390.01	Coca-Cola Light Bevette	
903,829,390.01	Coca-Cola Lit Bevette Italy	
5	803,822,970.01	Diet Coke Side Decal (shown)
6	803,826,380.01	Minute Maid Side Decal

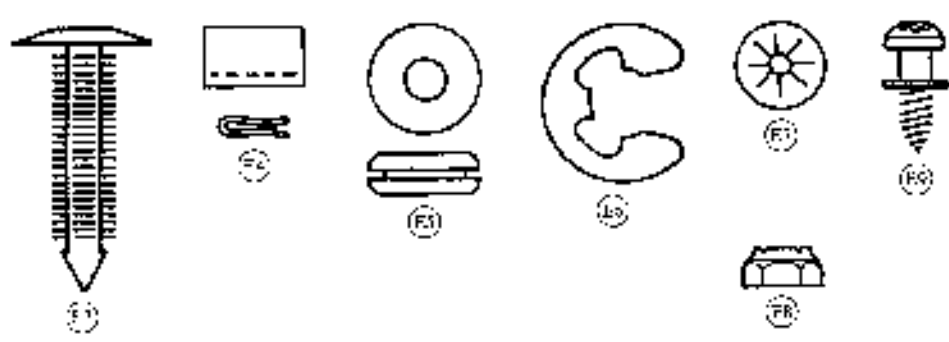
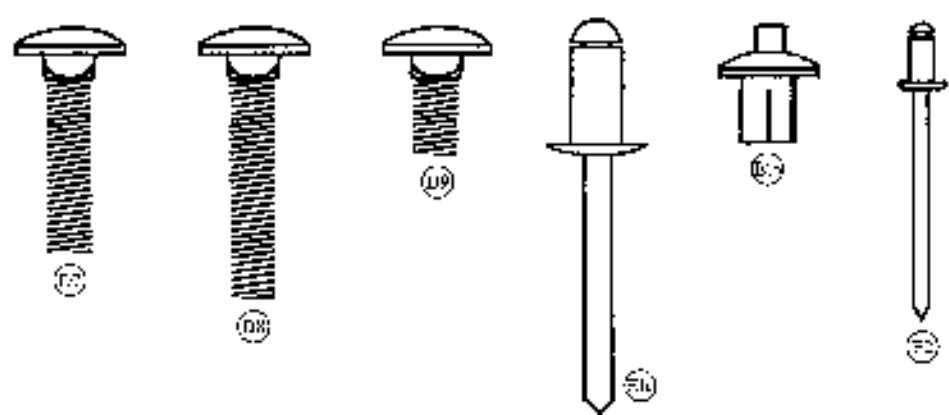
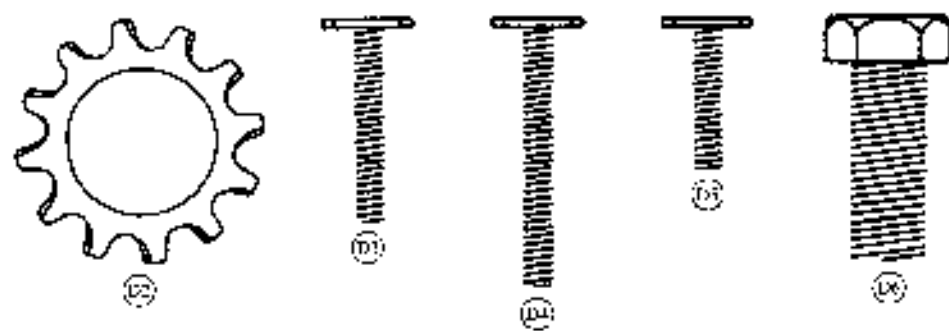
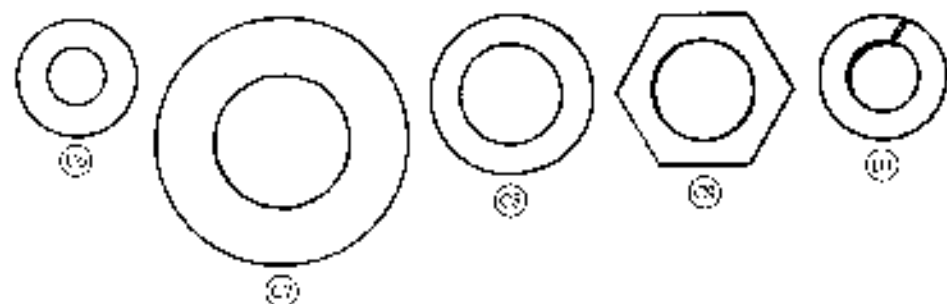
Screws & Nuts - Coke (Landscape)



Screws & Nuts - Coke (Landscape)

Item	Part Number	Part Name And Description
A1	900,301,700.01	Sems Screw #6 - 32 x 3/8
A2	900,301,640.01	Sems Screw #8 - 32 x 1/2
A3	900,301,830.01	Sems Screw #10 - 32 x 5/16
A4	900,301,500.01	Screw, Phil Pan (without washer) #8 - 18 x 1/2
A5	900,301,970.01	Screw, Phillips Pan Head #8 - 32 x 1/2
A6	900,600,230.02	Sheet Metal Screw, Type "A"
A7	900,300,470.01	Sheet Metal Screw #4 x 3/8
A8	900,301,820.01	Vend Motor Screw #4 x 1 1/8
	900,301,610.01	Vend Motor Screw #4 x 1 1/8
A9	900,301,560.01	Sems Screw #8 - 32 x 3/8
B1	900,301,850.01	Sems Screw #8 - 32 x 3/8
B2	900,300,160.01	Sems Screw #6 x 3/8
B3	900,301,810.01	Screw #10 - 32 x 1 1/2
B4	900,201,140.01	Screw, Machine Truss #10 - 32 x 1 1/2
B5	900,301,730.21	Self-Tapping Screw 1/4 - 20 x 1
B6	900,301,650.01	Screw, Phil Pan (with washer) #8 - 18 x 1/2
B7	900,302,010.01	Self-Tapping Screw 1/4 - 20 x 3/8
B8	900,301,690.01	Screw, Hex Tap #8 - 32 x 3/8
C1	900,901,510.02	Screw, Phil Pan Tapping
B9	900,800,650.01	Keps Nut #10 - 32
C2	900,800,670.01	Keps Nut 1/4 - 20
C3	900,800,500.01	Keps Nut #8 - 32
C4	900,800,690.01	Keps Nut (Top Door Hinge) 3/8 - 16
C5	900,800,850.01	Speed Nut
CC	900,201,220.11	Machine Screw #8 - 32 x 3/4
DD	900,800,490.01	Keps Nut #6 - 32

Washers, Bolts & Misc. - Coke (Landscape)



Washers, Bolts & Misc. - Coke (Landscape)

Item	Part Number	Part Name And Description
C6	900,700,600.01	Washer, Flat
C7	901,303,770.01	Washer, Hinge
C8	901,503,060.01	Washer, Flat (T-Handle)
C9	901,503,080.01	Washer, Hex (T Handle)
D1	900,700,360.01	Lockwasher, $\frac{3}{8}$ "
D2	900,700,890.01	Lockwasher, $\frac{3}{8}$ "
D3	900,400,430.01	T-Bolt #8 - 32 x 1
D4	900,400,410.01	T-Bolt #8 - 32 x $1 \frac{1}{4}$
D5	900,400,350.31	T-Bolt #8 - 32 x $\frac{3}{4}$
D6	900,400,440.01	Refrigeration Bolt $\frac{3}{8}$ - 16 x 1
D7	900,201,170.01	Carriage Bolt $\frac{1}{2}$ - 20 x 1
D8	900,201,230.01	Carriage Bolt $\frac{1}{2}$ - 20 x $1 \frac{1}{4}$
D9	900,201,450.01	Carriage Bolt $\frac{1}{4}$ - 20 x $\frac{1}{2}$
E1a	901,100,430.01	Pop Rivet $\frac{3}{8}$ "
E1b	901,100,440.01	Drive Rivet $\frac{3}{8}$ "
E2	901,100,520.11	Pop Rivet $\frac{1}{2}$ "
E3	900,902,130.01	Christmas Tree Clip
E4	900,901,890.01	Tinnerman Clip
E5	900,401,090.01	Grommet, Black Rubber #97
E6	901,503,070.01	E Ring
E7	900,900,900.01	Retainer
E8	900,800,510.01	Elastic Stop Nut #8 - 32
E9	900,301,980.01	Phil Pan Shoulder Screw #8 - 18 x $1 \frac{1}{2}$