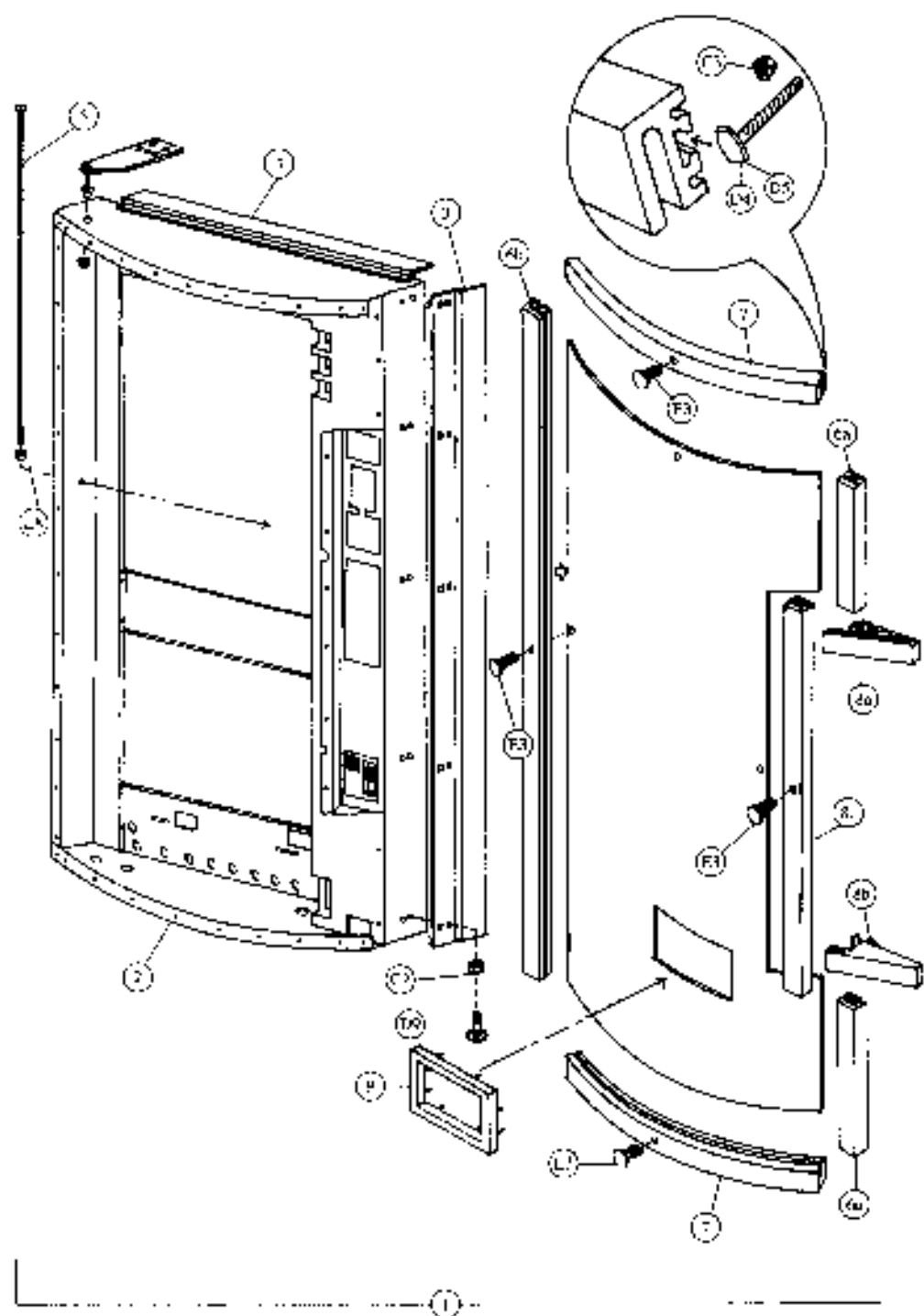


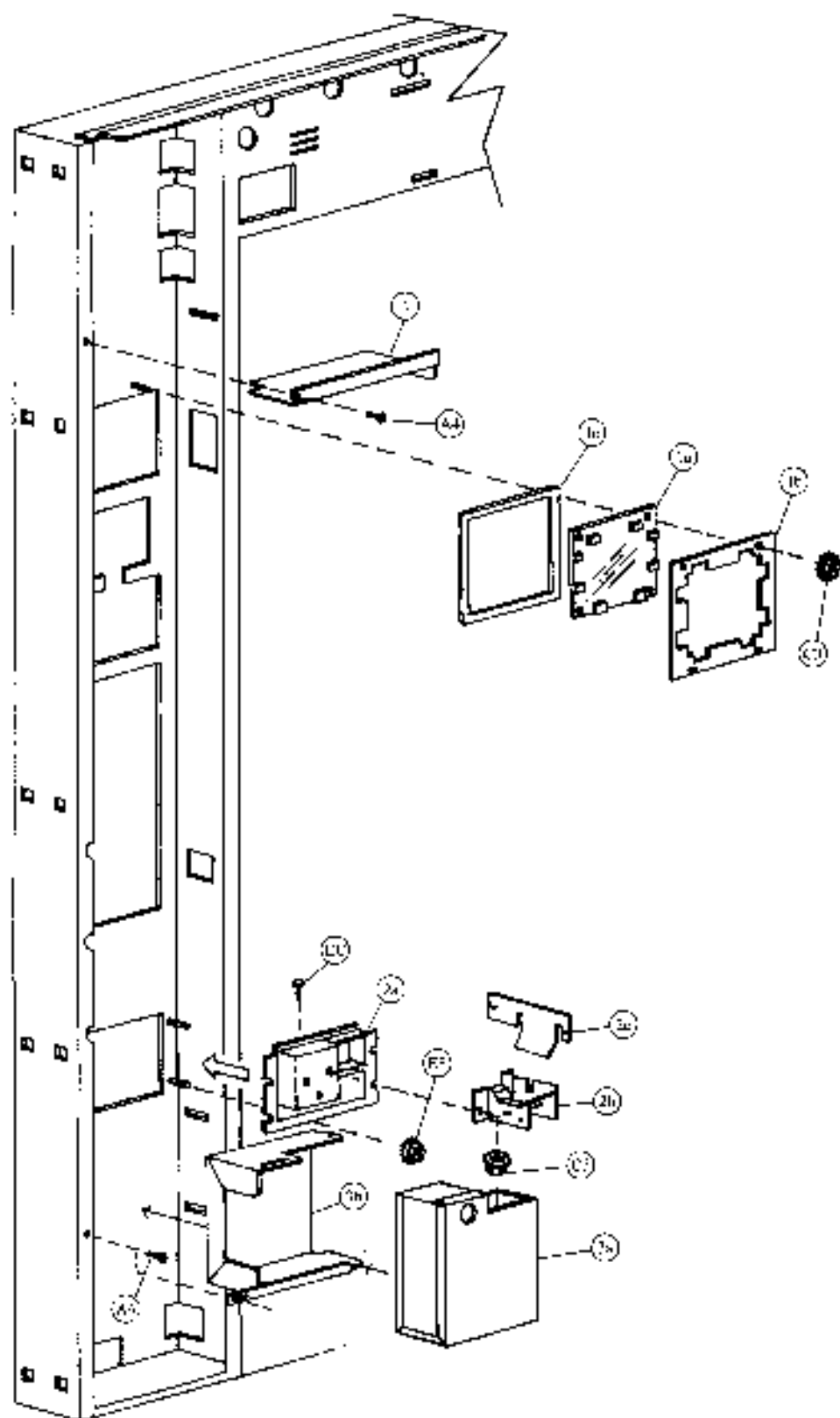
Coke (Landscape) DNCB 360CC & 360WS

Dimensions	72" H x 37 1/4" W x 30 1/2" D (1829mm H x 940mm W x 778mm D)
Dimensions Less Door	72" H x 37 1/4" W x 27 1/4" D (1829mm H x 940mm W x 698mm D)
Approximate Weight	634 lbs. (288kg)
Selections/Columns	6/6
Total 12 oz. (320ml) Cans Capacity/Year	372/440
Column Capacity 12 oz. (320ml) Cans	6 Double Columns - 62 each

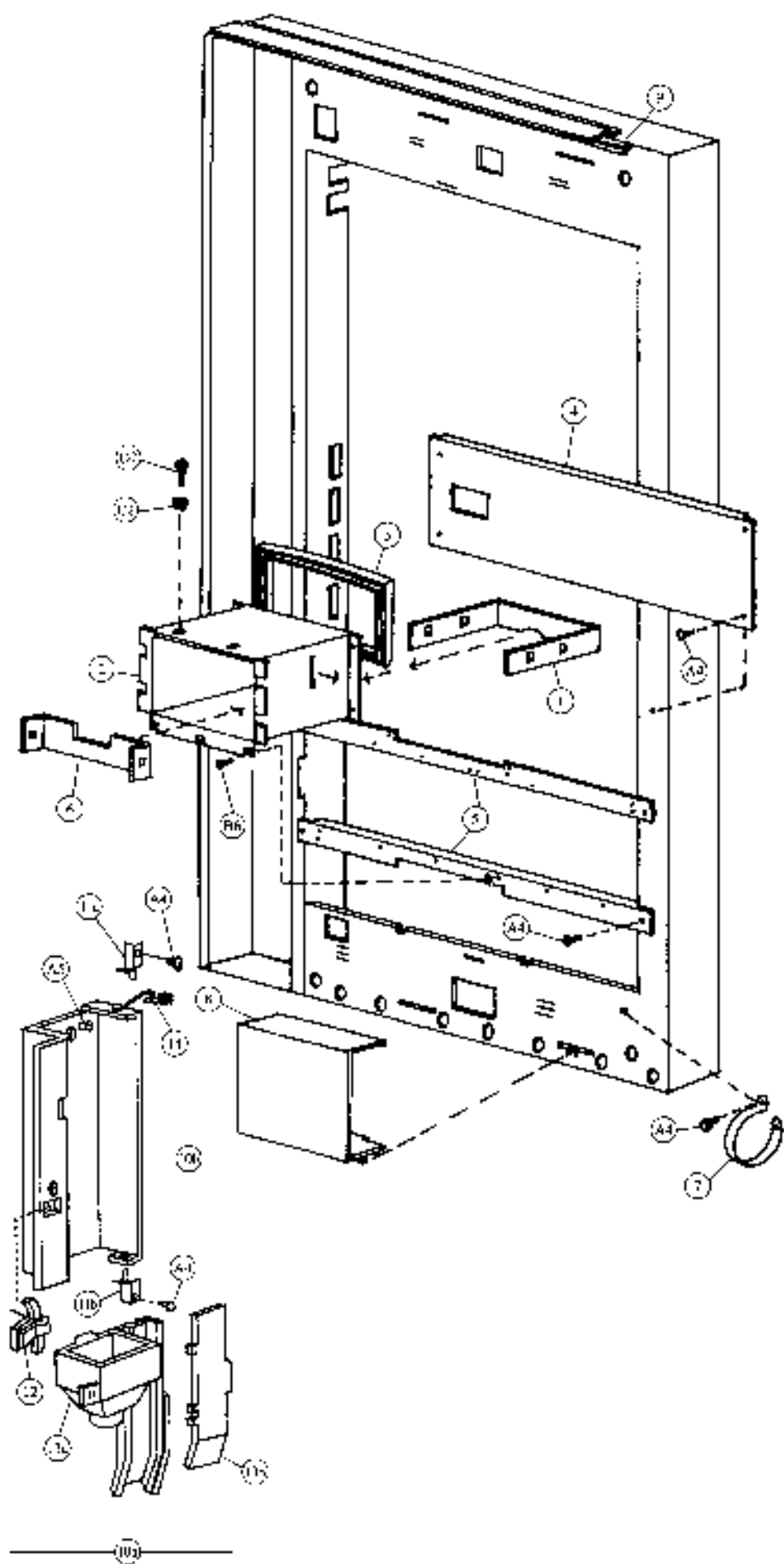
Main Door - Exterior - Coke (Landscape)



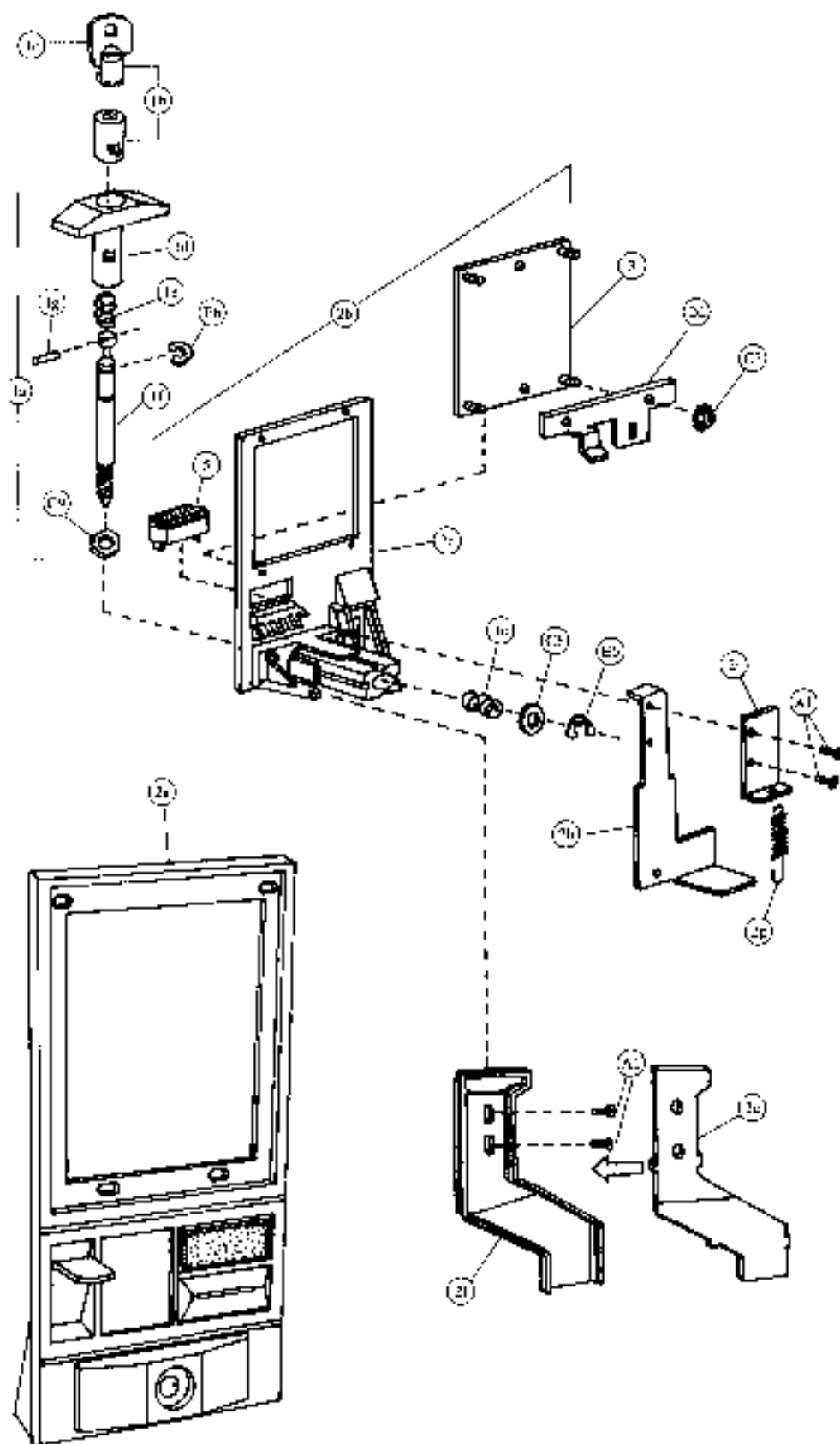
Main Door - Interior (A) - Coke (Landscape)



Main Door - Interior (B) - Coke (Landscape)



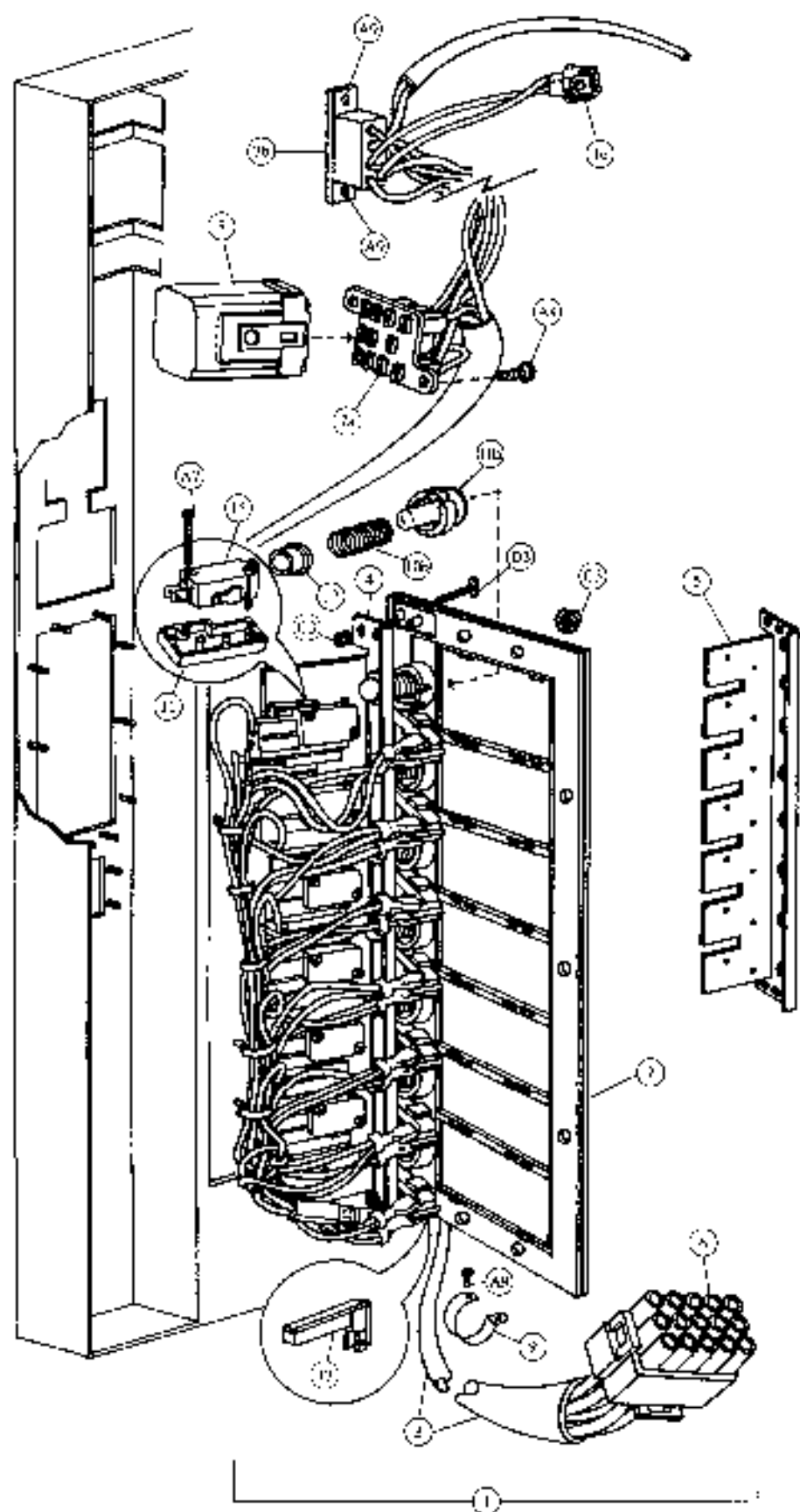
Pull-Out Handle & Coin Insert - Coke (Landscape)



Pull-Out Handle & Coin Insert - Coke (Landscape)

Item	Part Number	Part Name And Description	
1a	801,503,040.01	T Handle Assembly	
1b	Specify key number	Lock with Two Keys	
1c	Specify key number	Key Only	
1d	801,505,730.01	Handle Only	
1e	901,503,050.01	Spring	
1f	4255-6-44W	Stud	
1g	901,503,090.11	Cross Pin	
2a	See list below	Complete Coin Insert Kit with T Handle	
	491,040,800.04	Domestic (USA and Canada)	
	Not applicable	Export (All others except listed below)	
	Not applicable	Mexico	
2b	See list below	Complete Coin Insert Kit without T Handle	
	491,050,500.03	Domestic (USA and Canada)	
	491,150,500.03	Export (All others except listed below)	
	480,350,500.03	Mexico	
2c	See list below	Coin Insert Only	
	801,201,160.41	Domestic (USA and Canada)	
	801,201,170.21	Export (All others except listed below)	
	801,201,280.11	Mexico	
	801,201,270.21	Argentina - Token	
2d	453,050,170.83	Coin Insert Retainer	
2e	801,805,800.31	Coin Chute Cover	
2f	801,805,790.61	Coin Chute	
2g	901,700,630.11	Spring Extension	
2h	453,050,800.03	Coin Return Plunger Assembly	
2i	432,050,570.33	Plunger Bracket	
3	432,050,210.23	Validator Plate	
4	See list below	Instruction Label	(not shown)
	803,822,940.04	English	
	903,832,680.03	Irish	
	803,825,760.01	Spanish	
	803,825,410.01	French	
	803,825,750.01	Italian	
	803,825,740.01	German	
5	See list below	Correct Change Lamp	
	804,700,180.41	English "Use Correct Change"	
	804,700,500.11	English- US Standard "Use Correct Change"	
	804,700,440.31	Spanish "Importe Exacto"	
	804,700,450.21	French "Faites L'Apport"	
	804,700,490.21	Italian "Usare Monete Corrette"	
	804,700,470.21	Turkish "Lutfen Para Atiniz"	
	804,700,480.21	German "Abgezahltes Geld Verwenden"	
804,700,490.21	Portuguese "Introduza Quantia Exacta"		
6	801,806,080.11	Drip Chute	(not shown)
E5	901,501,570.01	E Ring	(2)
C8	901,503,060.01	Flt Washer	
C9	901,503,080.01	Hex Washer	
A1	900,301,700.01	Sems Screw #6-32 x 3/4	(4)
C3	900,300,500.01	Keps Nut #8-32	(4)

Select Panel - Coke (Landscape)



Lighting - Coke (Landscape)

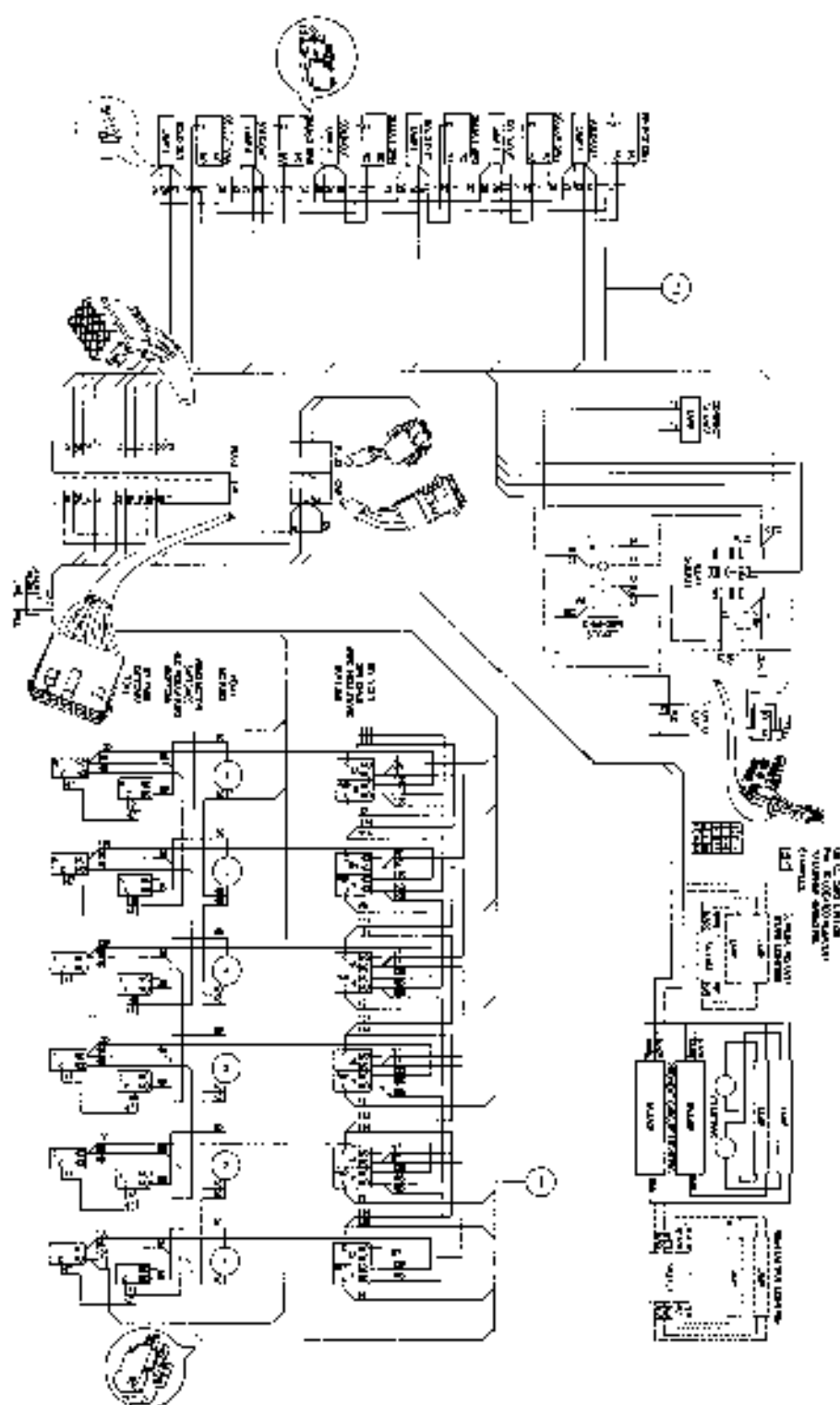
Item	Part Number	Part Name And Description
High-Output Lighting		
1	804,700,370.01	Fluorescent Bulb - F64T12/D/HO
2a	432,050,380.63	Door Bracket Lamp Socket
2b	804,901,990.01	Top Lamp Holders - 523
2c	804,902,000.01	Bottom Lamp Holders - 524
3	804,400,380.01	Plug-In Ballast, Advance #VSM/HO
4	904,800,520.01	Connector, Electrical (not shown) (scotchlock 557)
5	904,600,710.01	2-Way Plug
6	904,600,670.01	9-Way Plug
7	904,600,660.01	9-Way Cap
8	804,904,510.21	Plug-In Ballast Harness, High Output
9	804,904,920.11	Lamp Fixture Jumper, High Output

Slimline Lighting

1	804,700,300.01	Fluorescent Bulb - F64T12/DAYLIT
2a	432,050,380.63	Door Bracket Lamp Socket
2b	804,902,020.01	Top Lamp Holders - 516
2c	804,902,030.01	Bottom Lamp Holders - 517
3	804,400,370.01	Plug-In Ballast - Advance Slimline
4	904,800,520.01	Connector, Electrical (not shown) (scotchlock 557)
5	904,600,710.01	2-Way Plug
6	904,600,670.01	9-Way Plug
7	904,600,660.01	9-Way Cap
8	804,904,600.61	Plug-In Ballast Harness, Slimline

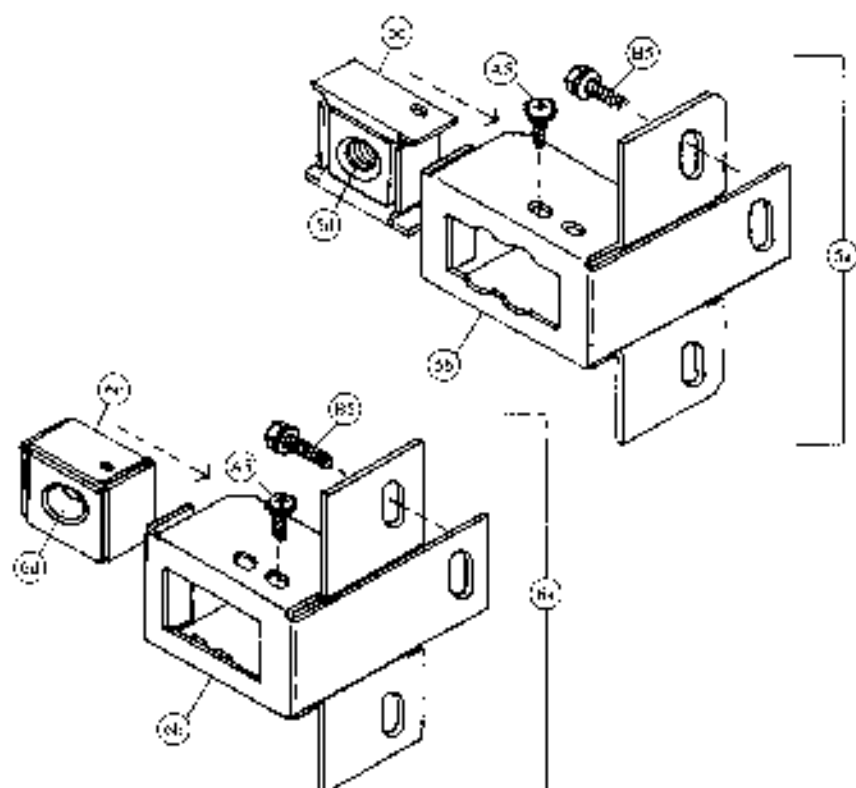
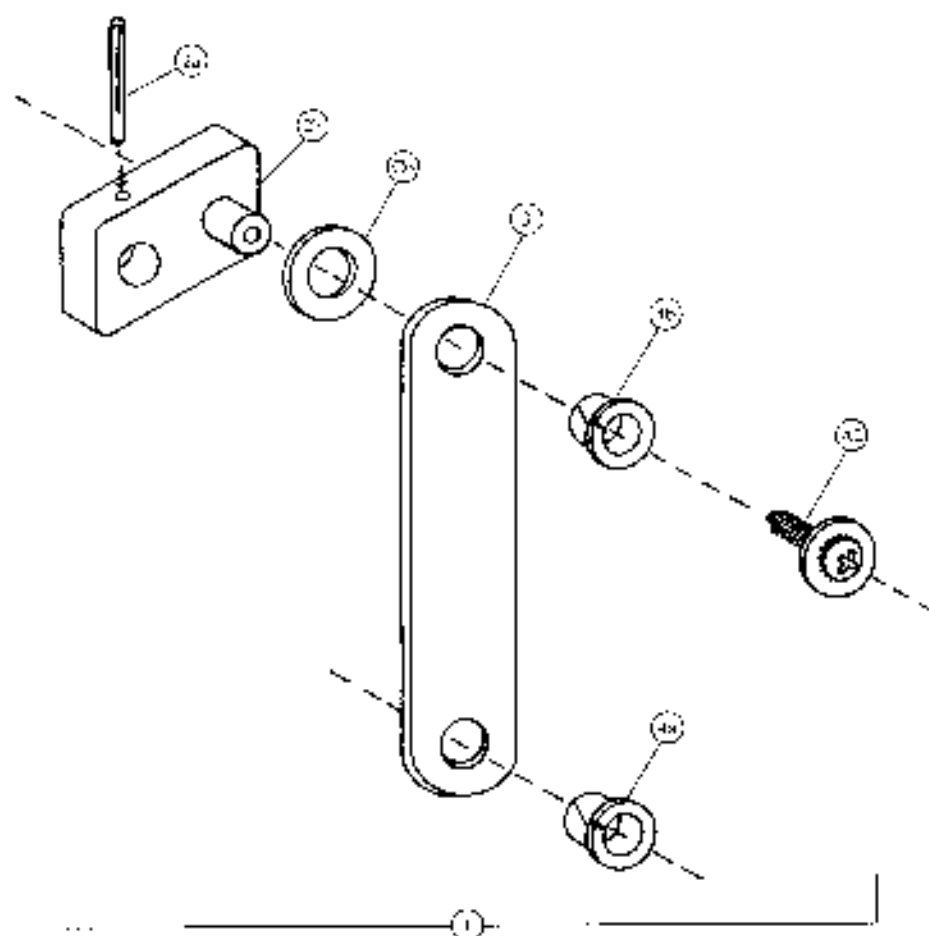
A1	900,301,700.01	Sheet Metal Screw #6 - 32 x 3/8	(4)
----	----------------	---------------------------------	-----

Wiring Harness - Coke (Landscape)

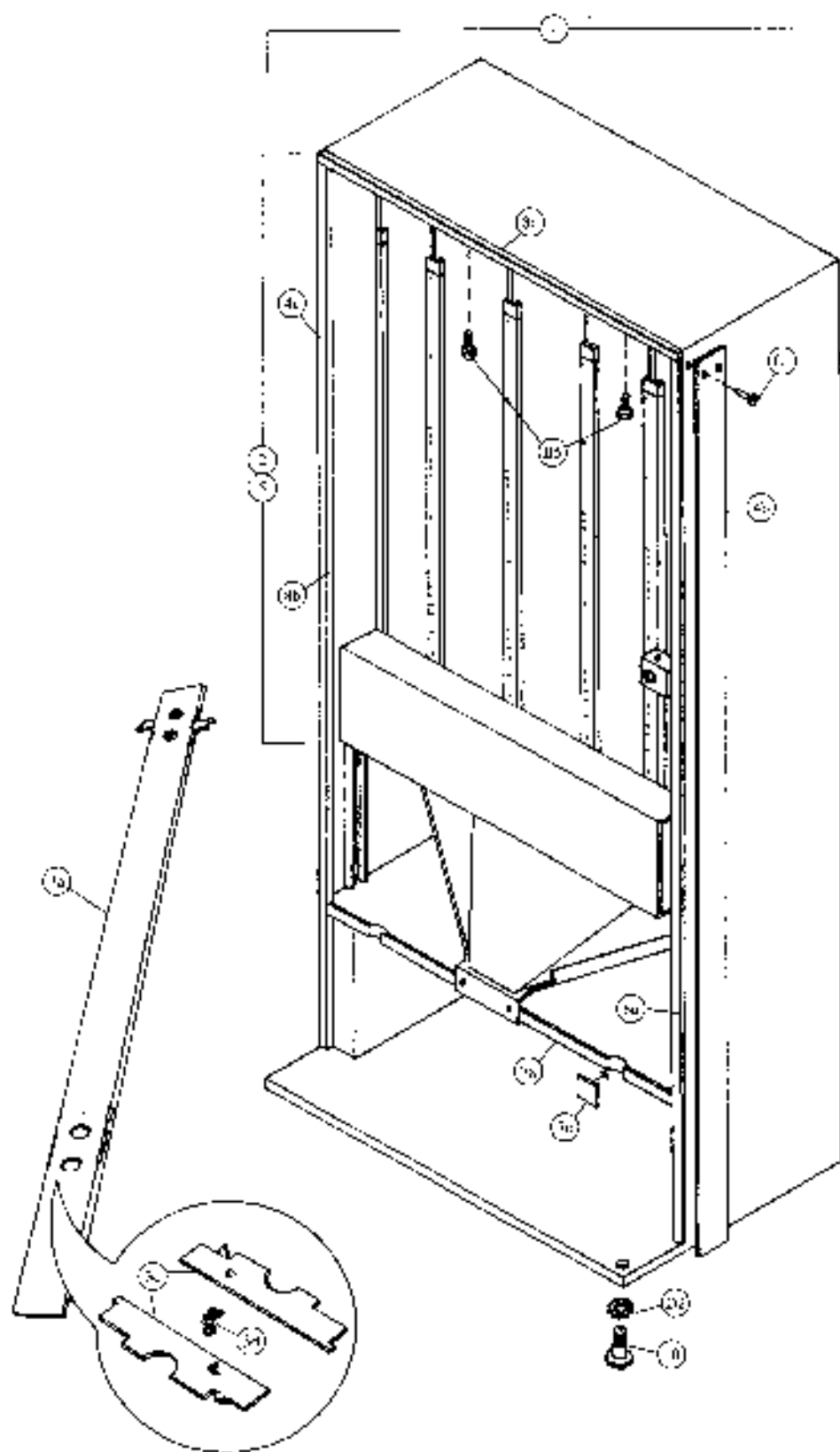


Sample Diagram
6 Column Adaptable, Single Price

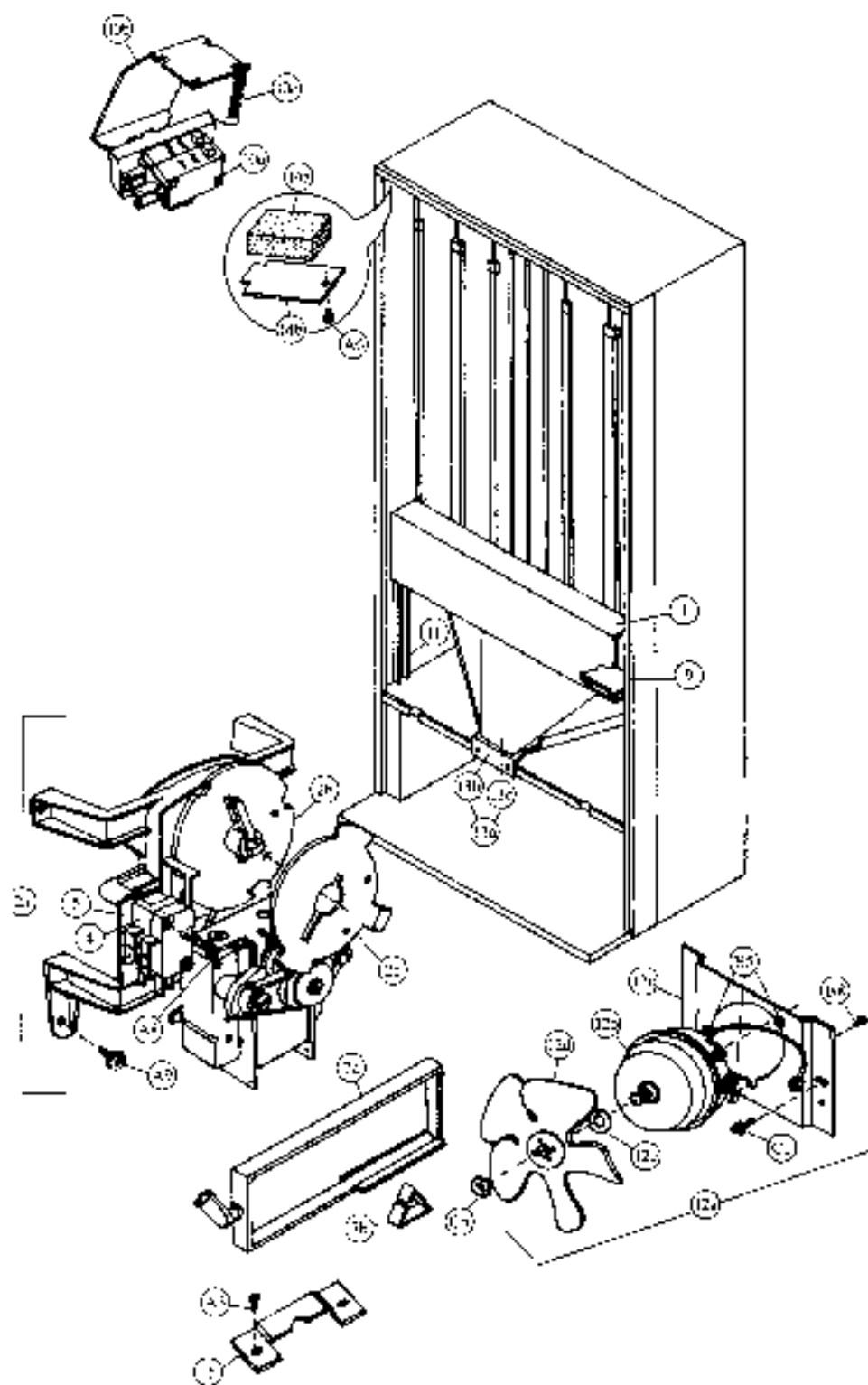
Two-Bar Linkage & Nut Retainer Housing - Coke (Landscape)



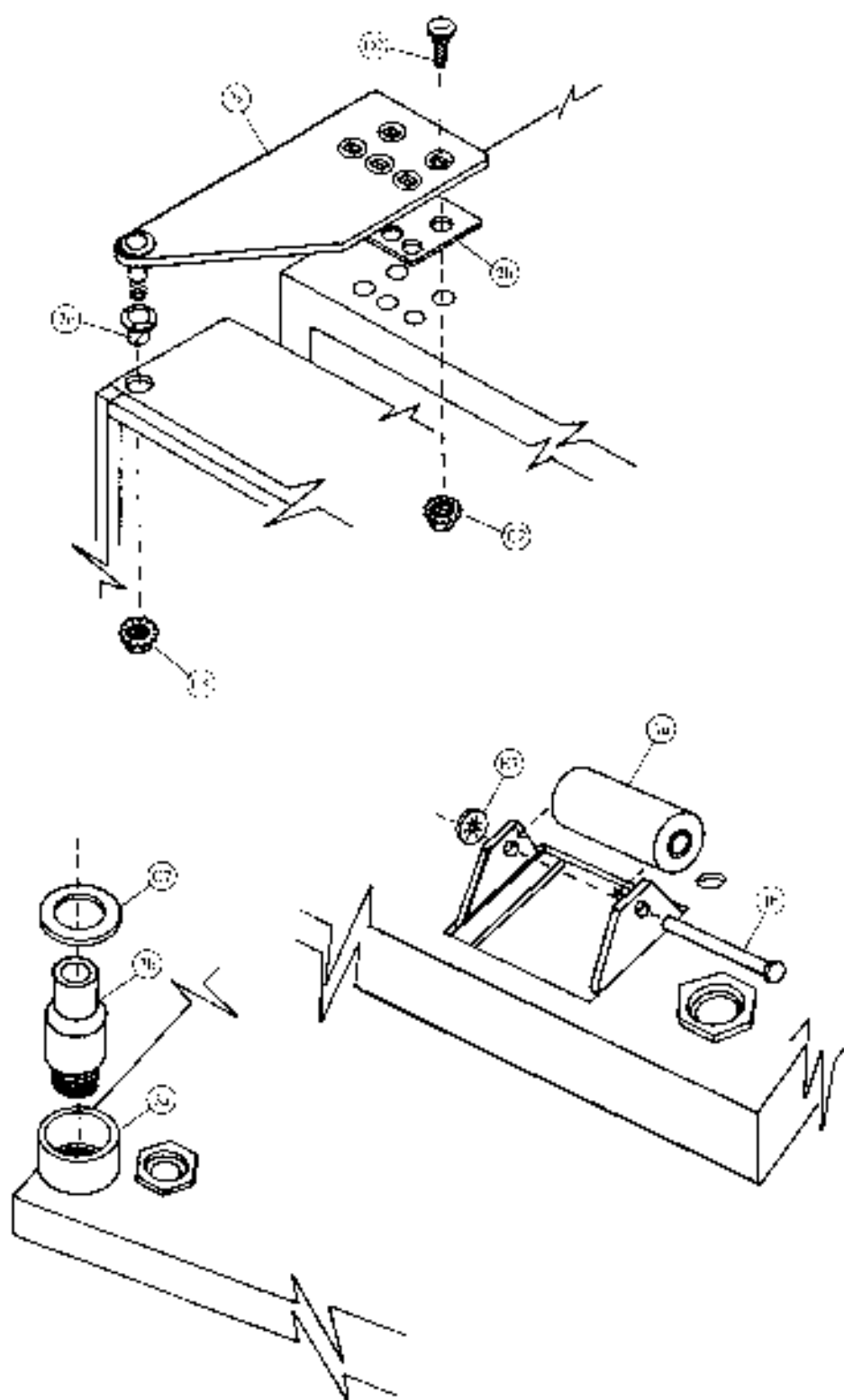
Cabinet Interior - Coke (Landscape)



Cabinet & Vend Mechanism - Coke (Landscape)



Hinges and Rollers - Coke (Landscape)



Refrigeration System - Coke (Landscape)

Item	Part Number	Part Name And Description
1	Provide information listed	Complete Refrigeration System: Indicate unit model number from serial plate on unit base plate, refrigerant, voltage/hertz and country.
2a	Provide information listed	Compressor 1/2 HP: Indicate compressor manufacturer, voltage/hertz, refrigerant and complete manufacturer's model number.
2b	See list below	Compressor Lead Harness (not shown)
	904,900,611,01	All, except IBC Standard
	804,905,320,01	220-240v/50hz, IEC Standard
2c	902,000,570,01	Compressor Mounting Grommet
2d	900,901,890,01	Compressor Mounting Retainer Clip
2e	901,805,910,01	Compressor Grommet Plug, Plastic
3a	491,040,040,03	Condenser Base Plate
3b	See list below	Condenser Fan Motor Assembly
	491,040,200,03	115v
	491,140,300,03	220-240v
3c	See list below	Condenser Fan Motor
	804,500,670,01	115v
	804,500,700,01	220-240v
3d	800,103,370,02	Fan Blade (not shown)
4a	491,000,100,03	Drain Pan Assembly
4b	801,303,670,11	Drain Pan
4c	901,900,020,11	Soaker (8 required)
4d	901,400,060,11	Soaker Rod
5a	491,040,050,51	Condenser Baffle, Right Side (not shown)
5b	491,040,050,63	Condenser Baffle, Rear
6a	801,806,050,11	Drain Tube
6b	900,301,790,01	Drain Tube Nut
7a	901,900,500,01	Drain Hose
7c	900,901,050,01	Drain Hose Clamp
8	See listing below	Main Wiring Harness
	801,902,220,01 (a)	United States
	804,905,480,01 (b)	Australia, IEC 335 (not shown)
	801,905,490,01 (c)	United Kingdom, IEC 335 (not shown)
	804,902,160,21 (d)	Europe (not shown)
	801,903,160,01 (e)	Mexico (not shown)
	804,905,450,01 (f)	Italy (not shown)
	804,905,470,01 (g)	Danish, IEC 325 (not shown)
	804,905,360,01 (h)	Germany, with Splashwater Protector (not shown)
9	211,040,050,13	Top Fan Housing
10	802,800,410,01	Temperature Control
11	491,040,110,33	Fan Shroud Condenser
12a	Provide information listed	Relay: Indicate compressor manufacturer, model # and voltage/hz
12b	Provide information listed	Overhaul: Indicate compressor manufacturer, model # and voltage/hz
13	802,401,240,01	Dryer
14	802,600,550,01	Condenser
15	802,600,370,51	Evaporator
16	802,400,460,01	Accumulator
17	802,800,420,01	Knob, Temperature Control
A6	901,600,230,02	Sheet Metal Screw, Type "A" (not shown) (2)
A9	900,301,560,01	Sems Screw #8 - 3/2 x 3/4 (8)
B7	900,902,090,02	Screw, #10 - 3/2 x 1 1/2
D1	900,700,360,01	Lockwasher, 3/8" (2)
E-	900,901,890,01	Turnerman Clip (2)
D6	900,400,440,01	Refrigeration Bolt 3/8 - 16 x 1 (2)

Signs and Decals - Coke (Landscape)



①



②



③

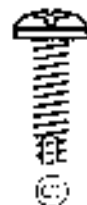
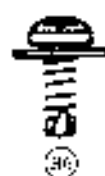
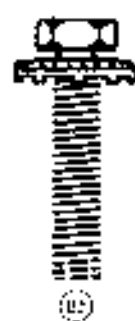
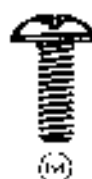
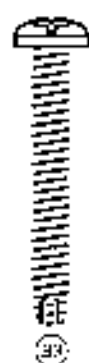
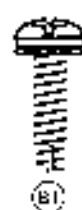
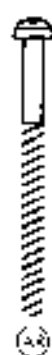
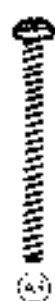
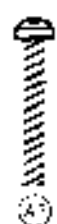


④

Signs & Decals- Coke (Landscape)

Item	Part Number	Part Name And Description	
1	See list below	Circular Coke Signs	
	805.006.460.01	Coca-Cola (USA) (shown)	
	805.006.650.01	Coca-Cola Beba	
	805.006.710.01	Coca-Cola CSA French	
	805.006.720.01	Coca-Cola International	
	805.006.730.01	Coca-Cola Italy	
	805.006.910.01	Coca-Cola CSA English	
	805.006.940.01	Coca-Cola Trink International	
	805.006.950.01	Coca-Cola Buvez International	
	805.007.140.01	Coca-Cola Horizontal	
	805.007.360.01	Coca-Cola Puerto Rico	
	805.007.680.01	Coca-Cola Arabic	
	805.007.840.01	Coca-Cola Tame Circle	
	805.007.960.01	Coca-Cola Light France	
	805.008.290.01	Coca-Cola Austria	
	805.009.730.01	Coca-Cola Coke Can On Ice	
	805.009.950.01	Coca-Cola Greece	
	805.010.140.01	Coca-Cola Coke Beba Can On Ice	
	805.010.250.01	Coca-Cola Turkey	
	805.010.440.01	Coca-Cola Light Sweden	
	805.009.940.01	Coca-Cola Light Greece	
	805.010.000.01	Coca-Cola Light Beba	
	805.010.060.01	Coca-Cola Light Standard International	
805.010.710.01	Coca-Cola Bevette Coke Light		
2	See list below	Coca-Cola Diet Coke Signs	
	805.006.580.01	Diet Coke (USA) (shown)	
	805.010.280.01	Diet Coke Turkey	
3	805.008.090.01	Minute Maid Sign	
4	See list below	Coke Side Decals	
	803.822.210.01	Coca-Cola (USA) (shown)	
	803.823.290.01	Coca-Cola Beba	
	803.823.700.01	Coca-Cola International	
	803.823.380.01	Coca-Cola Italian	
	803.823.710.01	Coca-Cola CSA English	
	803.823.730.01	Coca-Cola Buvez France	
	803.825.370.01	Coca-Cola Dis Prote	
	803.825.870.01	Coca-Cola Arab Bahrain	
	803.826.190.01	Coca-Cola Turm Argentina	
	803.871.060.01	Coca-Cola Greece	
	803.833.030.01	Coca-Cola Turkey	
	803.827.610.01	Coca-Cola Light Bremen	
	803.830.990.01	Coca-Cola Light Greece	
	803.826.330.01	Coca-Cola Light France	
	803.871.090.01	Coca-Cola Light Beba	
	803.871.470.01	Coca-Cola Light Standard International	
	803.873.180.01	Coca-Cola Light Bevette	
	5	See list below	Diet Coke Side Decals
		803.872.970.01	Diet Coke (USA) (shown)
803.833.060.01		Diet Coke Turkey	
6	803.826.380.01	Minute Maid Side Decal	

Screws & Nuts - Coke (Landscape)



Washers, Bolts & Misc. - Coke (Landscape)

