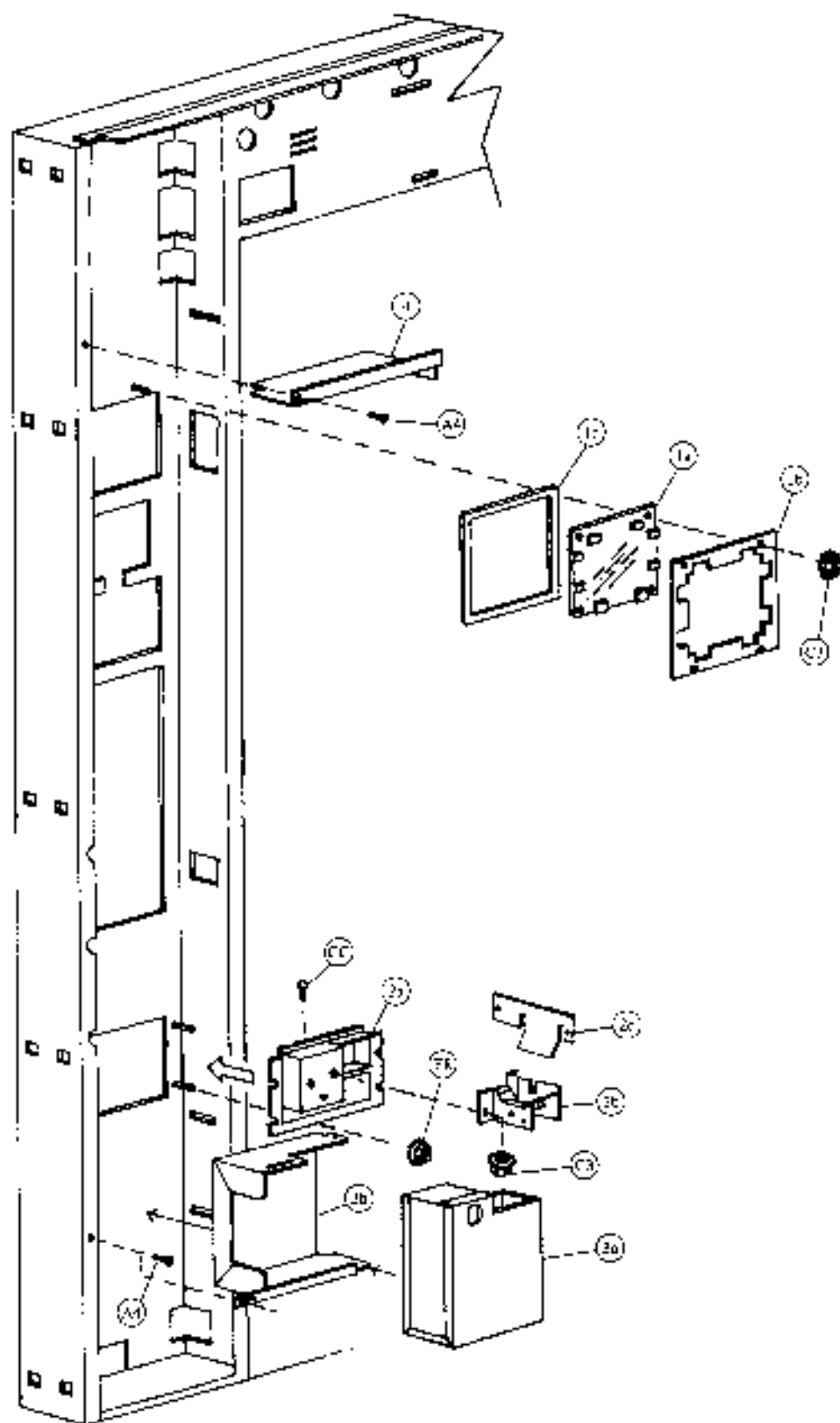




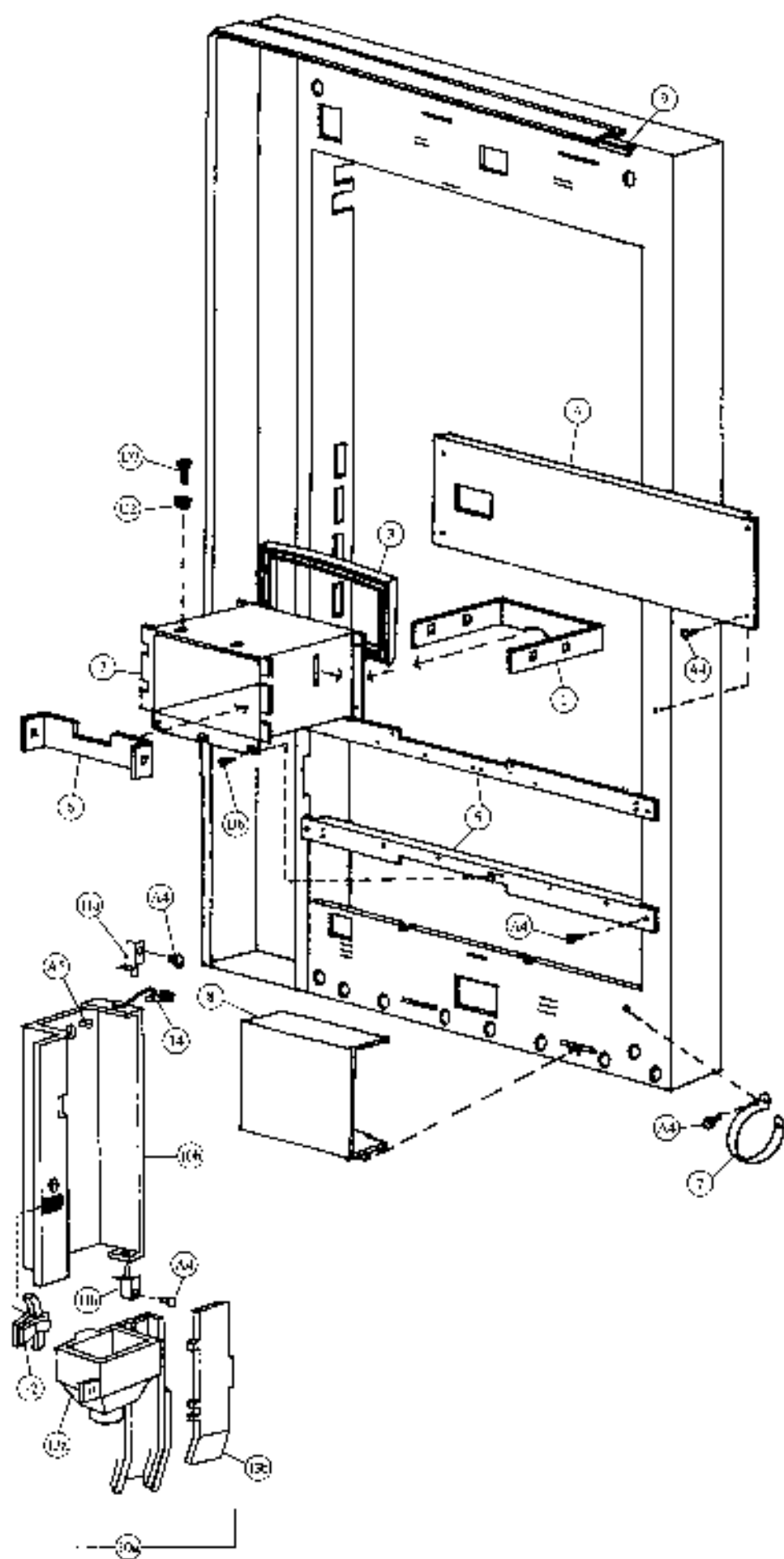
**Coke (Landscape)
DNCB 440CC, 432CC & 432WS**

Dimensions	79 1/2" H x 37 3/8" W x 30 1/2" D (2019mm H x 940mm W x 775mm D)	
Dimensions Less Door	79 1/2" H x 37 3/8" W x 27 1/2" D (2019mm H x 940mm W x 698mm D)	
Approximate Weight	750 lbs. (331kg)	
Selections/Columns	432/432WS	6/6
	440	7/6 or 8/6
Total 12 oz. (330ml) Cans Capacity/Vend	432/432WS	444/432
	440	448/432
Column Capacity 12 oz. (330ml) Cans	432/432WS	6 Double Columns - 74 Each
	440	4 Double Columns - 38 Each; 4 Double Columns - 74 Each

Main Door - Interior (A) - Coke (Landscape)



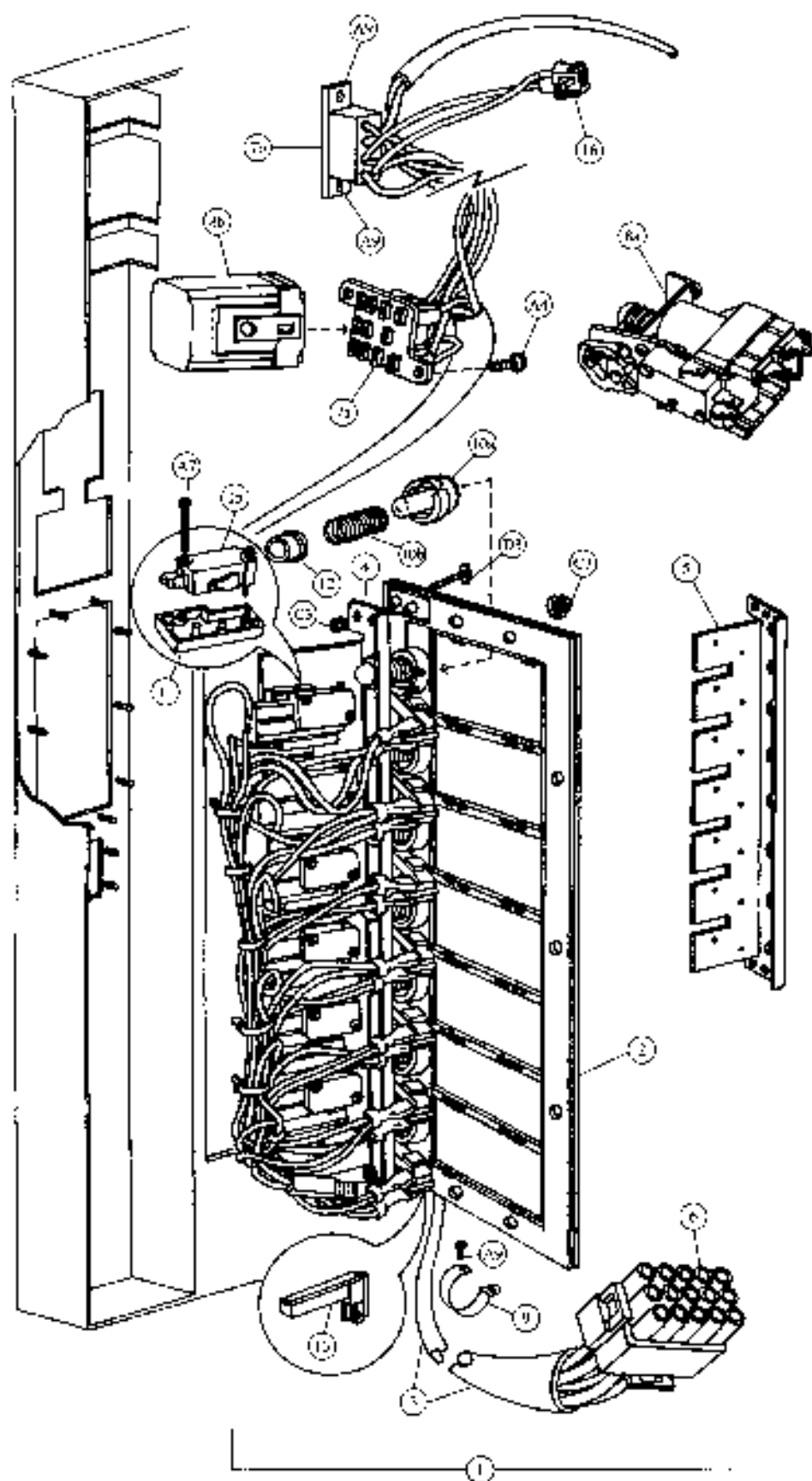
Main Door - Interior (B) - Coke (Landscape)



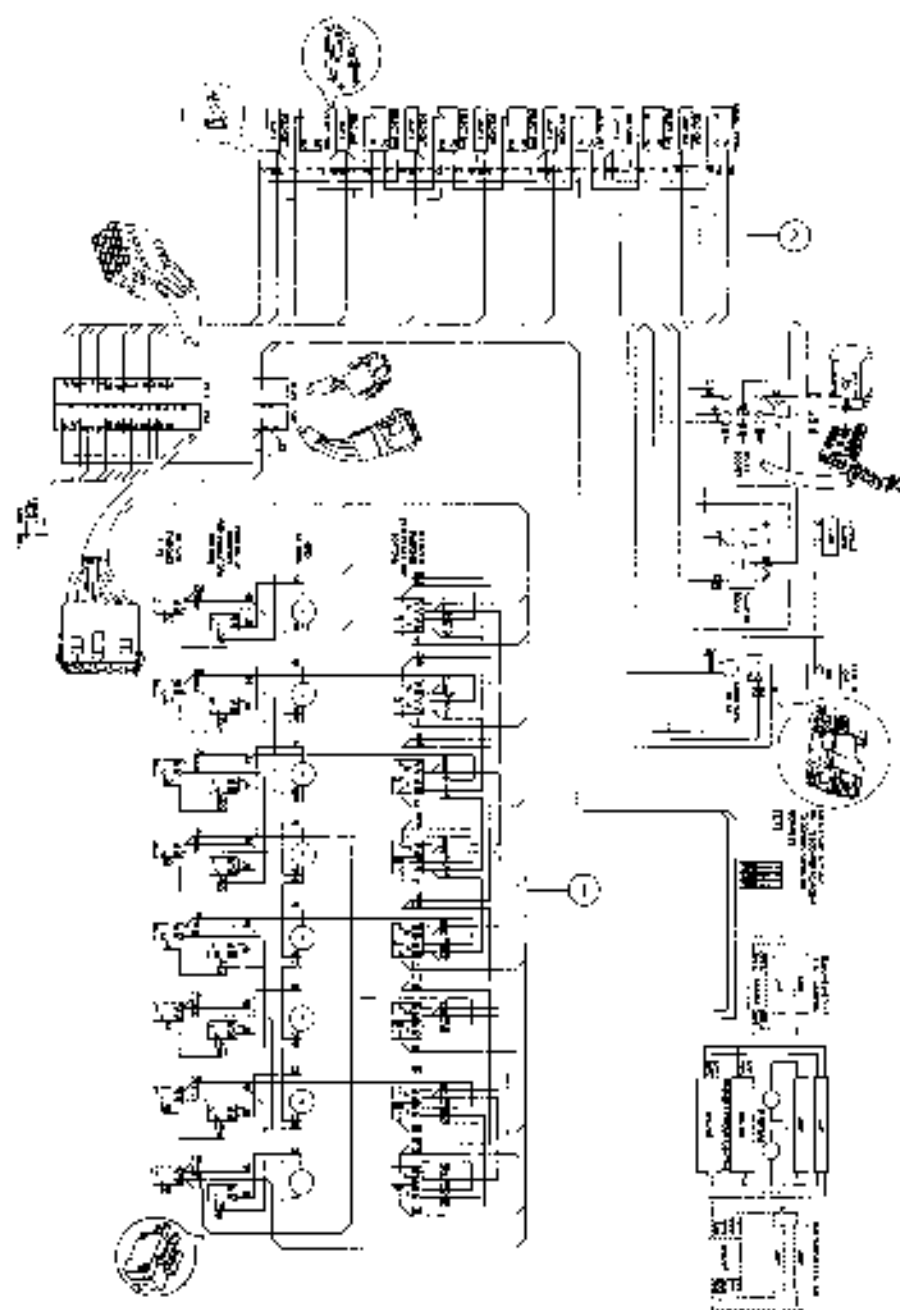
Pull-Out Handle & Coin Insert - Coke (Landscape)

Item	Part Number	Part Name And Description
1a	801,503,040.07	T Handle Assembly
1b	Specify key number	Lock with Two Keys
1c	Specify key number	Key Only
1d	801,505,730.01	Handle Only
1e	901,505,150.01	Spring
1f	4255-6-44W	Stud
1g	901,503,090.11	Cross Pin
2a	See list below	Complete Coin Insert Kit with T Handle
	491,010,800.04	Domestic (USA and Canada)
	Not applicable	Export (All others except listed below)
	Not applicable	Mexico
2b	See list below	Complete Coin Insert Kit without T Handle
	491,050,500.03	Domestic (USA and Canada)
	491,150,500.03	Export (All others except listed below)
	490,350,500.03	Mexico
2c	See list below	Coin Insert Only
	801,201,160.11	Domestic (USA and Canada)
	801,201,170.21	Export (All others except listed below)
	801,201,280.11	Mexico
2d	801,201,070.21	Argentina - Token
	453,050,130.83	Coin Insert Retainer
2e	801,805,800.31	Coin Chute Cover
2f	801,805,790.61	Coin Chute
2g	901,700,630.11	Spring Extension
2h	453,050,800.03	Coin Return Plunger Assembly
2i	432,050,570.33	Plunger Bracket
3	452,050,210.23	Validator Plate
4	See list below	Instruction Label (not shown)
	803,822,940.01	English
	803,832,680.01	Irish
	803,825,760.01	Spanish
	803,825,410.01	French
	803,825,750.01	Italian
5	See list below	Correct Change Lamp
	904,700,180.31	English "Use Correct Change"
	804,700,500.11	English, IEC Standard "Use Correct Change"
	804,700,440.31	Spanish "Importe Exacto"
	804,700,450.21	French "Faites L'Appoint"
	804,700,400.21	Italian "Usare Monete Corrette"
	804,700,470.21	Turkish "Lutfen Para Aliniz"
	804,700,480.21	German "Abgezahltes Gold Verwendet"
904,700,490.21	Portuguese "Introduza Quancia Exacta"	
6	801,906,080.11	Drip Chute (not shown)
E6	901,503,070.01	E Ring (2)
C8	901,503,060.01	Flit Washer
C9	901,503,080.01	Hex Washer
A1	900,301,700.01	Self-Screw #6-32 x 3/4 (4)
C3	900,800,500.01	Keys Nut #8-32 (4)

Select Panel - Coke (Landscape)

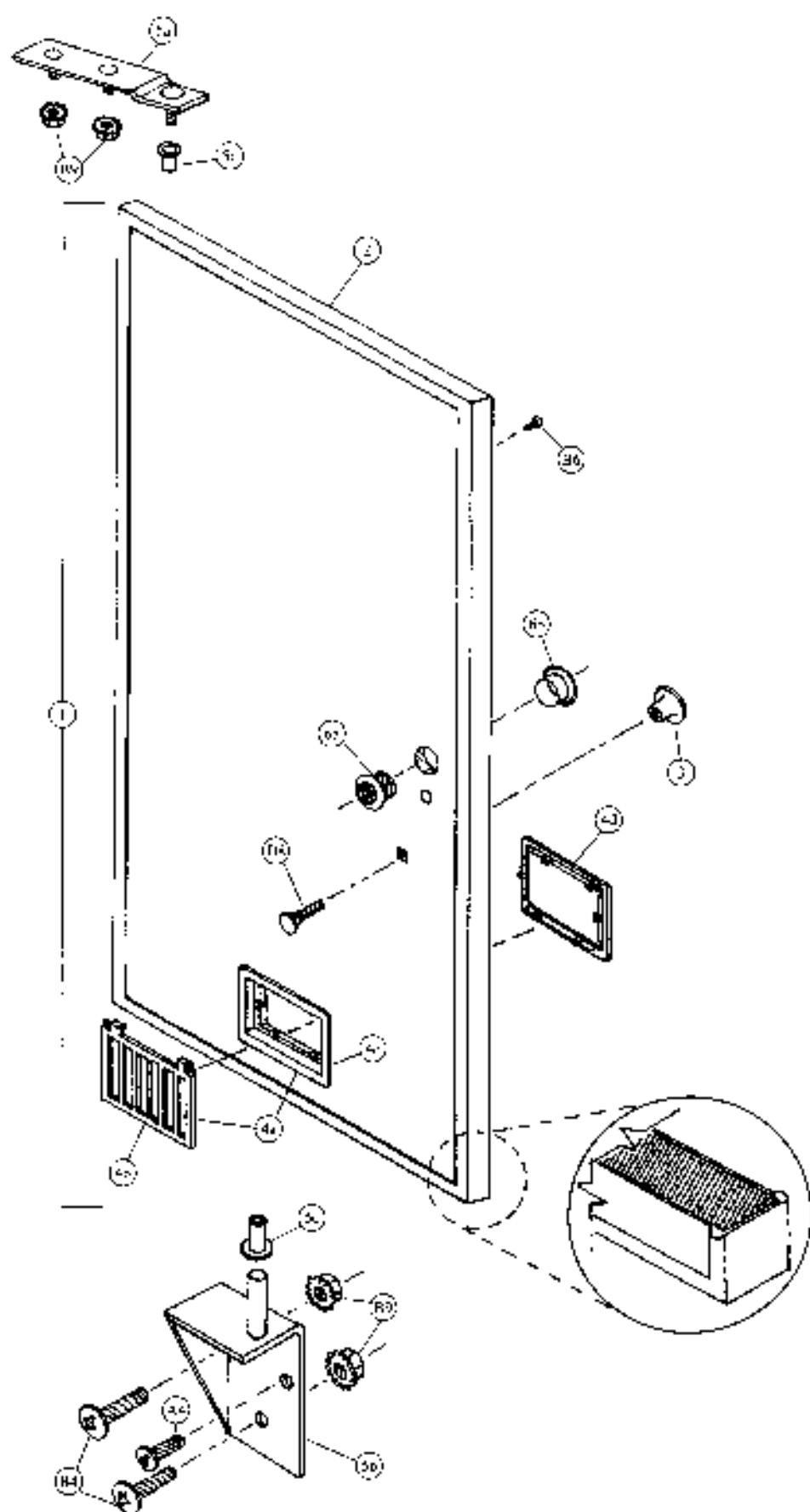


Wiring Harness - Coke (Landscape)

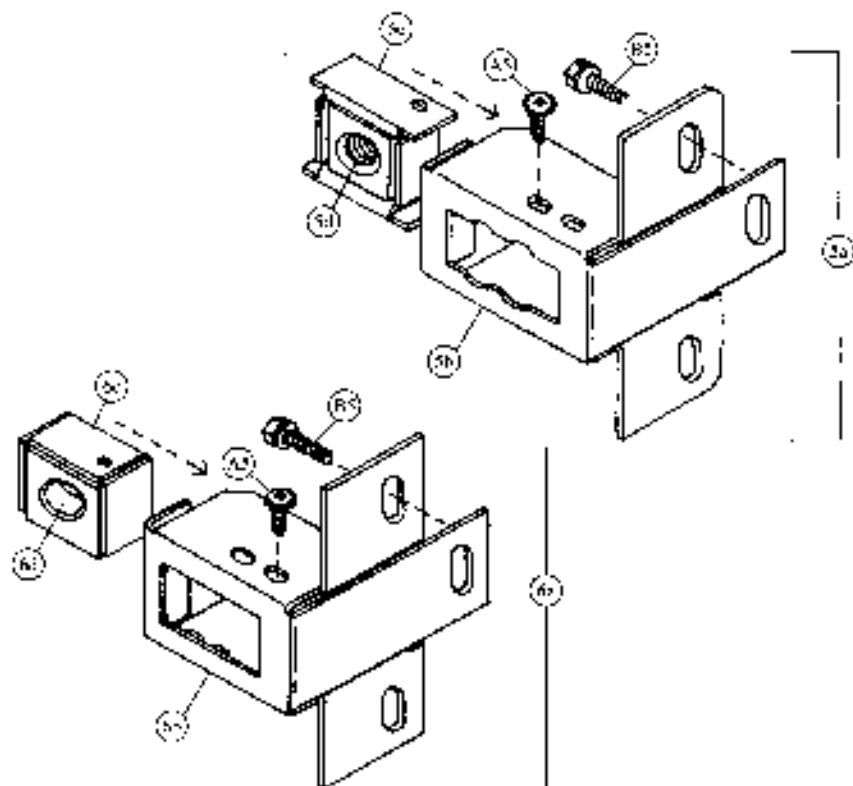
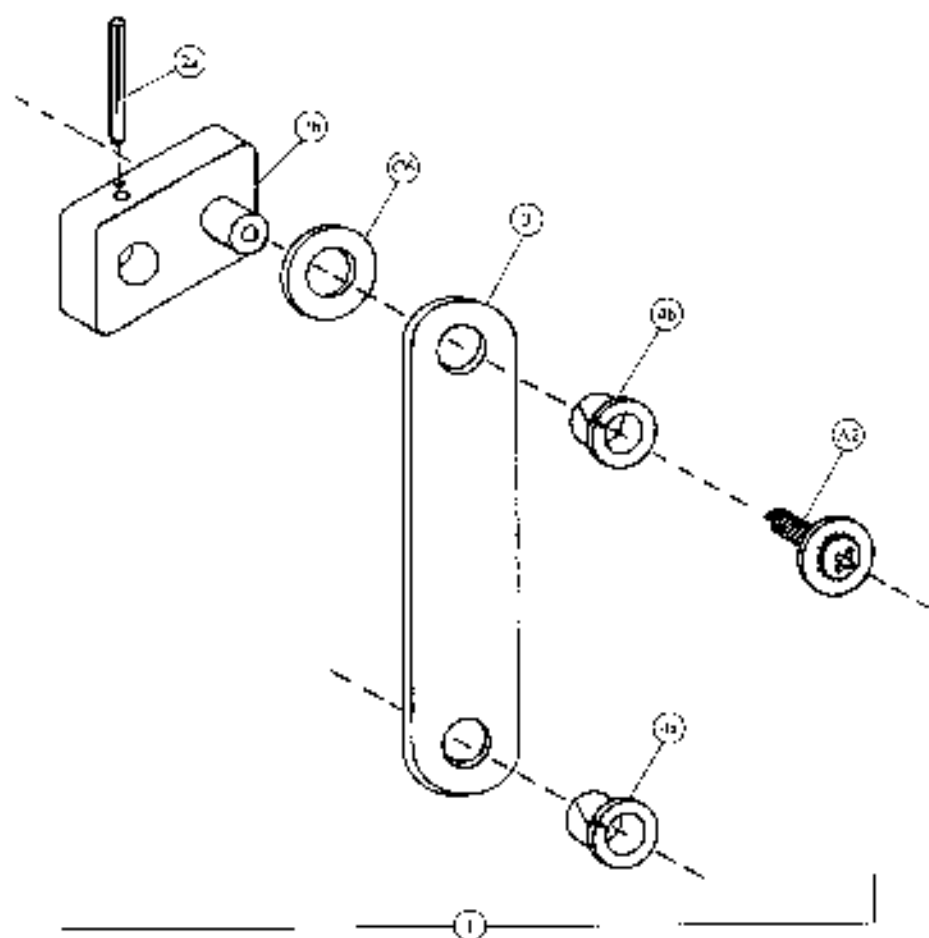


Sample Diagram
8 Column Dual Adaptable, Sequencing 1 & 2, Single Price

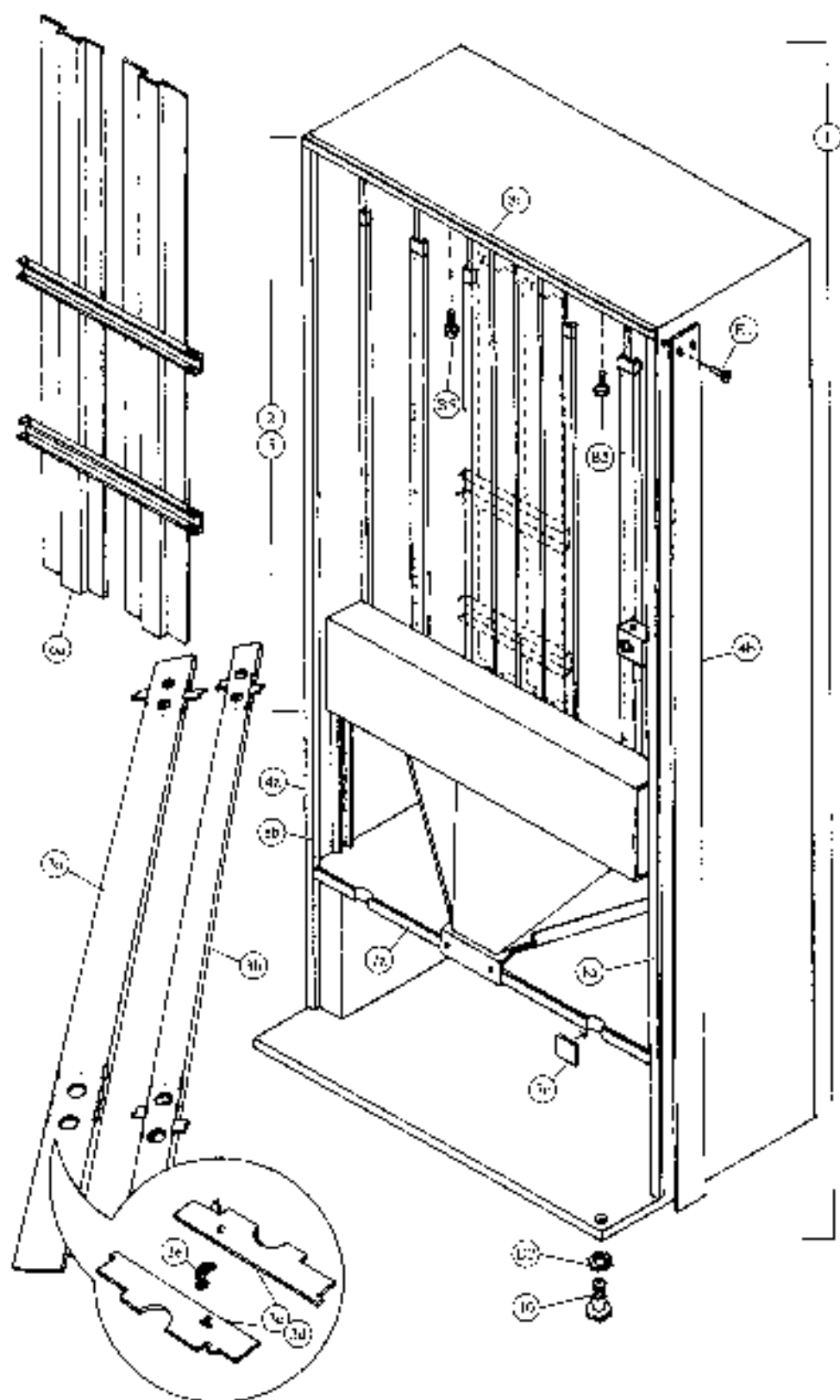
Inner Door - Coke (Landscape)



Two-Bar Linkage & Nut Retainer Housing - Coke (Landscape)



Cabinet Interior - Coke (Landscape)



Cabinet Interior - Coke (Landscape)

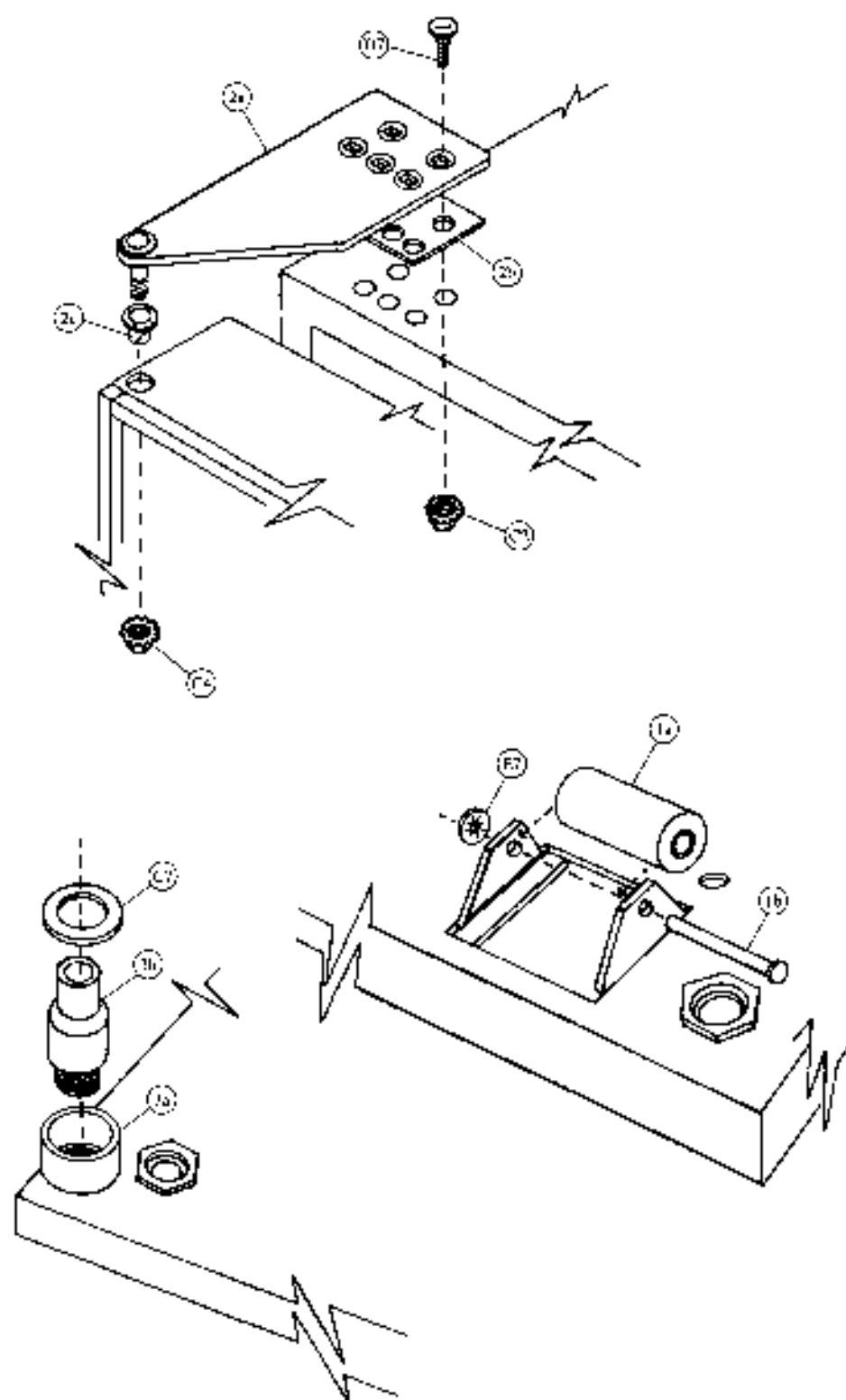
Item	Part Number	Part Name And Description	(specify name(s))
1	491,000,700.03	Foam Cabinet Assembly	
2a	See list below	440 Stack Assembly	
	491,070,000.03	Single Price & Single Price - IFC Standard	
	491,170,000.03	TwoFour Price & TwoFour Price - IEC Standard	
2b	See list below	432 Stack Assembly	
	447,070,000.03	Single Price & Single Price - IEC Standard	
	447,170,000.03	TwoFour Price & TwoFour Price - IEC Standard	
2c	See list below	432WS Stack Assembly	
	not applicable	Single Price & Single Price - IFC Standard	
	447,270,000.03	TwoFour Price & TwoFour Price - IEC Standard	
3a	491,070,600.03	Rear Spacer, Wide Column (440 & 432 only)	
	not applicable	Rear Spacer, Wide Column (432WS only)	
3b	491,070,710.03	Rear Spacer, Narrow Column (440 only)	
3c	267,070,080.53	Latch Finger, Long	
3d	267,070,210.44	Latch Finger, Short (440 only)	
3e	901,700,690.01	Rear Spacer Spring	
4a	164,000,031.53	Protective Plate, LS Cabinet	(not shown)
4b	164,000,041.63	Protective Plate, RS Cabinet	
5	499,070,100.03	440 Stack Sub Assembly	
	447,070,100.03	432 Stack Sub Assembly	
	447,270,100.03	432WS Stack Sub Assembly	
6a	491,070,800.03	Gate, w/s (440 only)	
6b	491,071,000.03	Gate Hinge, Wide (440 only)	(not shown)
6c	231,070,260.73	Gate Latch (440 only)	(not shown)
7a	801,306,230.11	Mullion	
7b	801,306,830.21	Mullion Cover, Metal	(not shown)
7c	801,806,220.11	Mullion Cover, Plastic	(obsolete)
8a	491,020,150.03	Breaker Strip, Right	
8b	491,020,160.03	Breaker Strip, Left	
8c	491,020,170.03	Breaker Strip, Top	
9a	480,030,100.13	Ballast Plate Assembly	(not shown)
	491,020,800.23	Ballast Plate Assembly - IEC Standard	(not shown)
9b	432,020,070.23	Ballast Plate	(not shown)
	492,050,140.03	Ballast Plate - IFC Standard	(not shown)
10	900,502,490.71	Leveling Leg, 3"	(4)
11	491,070,020.03	Mounting Bracket, Rear	(not shown)
12	437,010,020.13	Rodent Guard, Wide	(not shown)
	474,011,300.13	Rodent Guard, Wide - IEC Standard	(not shown)
13	804,400,360.03	Transformer, Basler Isolation	(not shown)
14	804,902,170.11	Transformer, Jumper	(not shown)
15	not applicable	Transformer, Inlet - IEC Standard	(not shown)
16a	901,902,280.01	Heyco Wire Clip #3699	(not shown)
16b	900,901,590.01	Cable Clamp, Green	(not shown)

P1a	901,100,440.01	Pop Rivet, 3"	(10)
B5	900,301,730.21	Self-Tapping Screw 1/2" x 3/4"	(4)
P1b	901,100,440.01	Drive Rivet, 3"	(10)
D2	900,700,890.01	Lock Washer, 3/8"	
P2	901,100,520.01	Pop Rivet, 3"	

Cabinet & Vend Mechanism - Coke (Landscape)

Item	Part Number	Part Name And Description
1	491,070,050.53	Vend Motor Cover, Wide
	491,071,200.23	Vend Motor Cover, Wide - IEC Standard
2a	See list below	Vend Motor Assembly, Wide
	491,070,300.03	Single Price
	491,170,100.03	Two/Four Price
2b	801,806,390.21	Vend Cam, Blue
2c	801,806,400.11	Adjustable Cam, Gold
3a	See list below	Vend Motor Assembly, Narrow (440 only)
	491,070,400.03	Single Price
	491,170,200.03	Two/Four Price
3b	801,806,180.21	Vend Cam, Brown 1440 only
3c	801,806,610.21	Adjustable Cam, Brown (440 only)
4	See list below	Vend Motor Switch
	804,100,600.01	Single Price (Double Switch)
	804,100,690.11	Single Price - IEC Standard (Double Switch)
	804,100,700.11	Two/Four Price - IEC Standard (Triple Switch)
5	905,800,330.11	Vend Motor Switch Insulator
6	801,201,211.61	Vend Rotor - Narrow Column (440 only)
7a	801,201,010.01	Vend Oscillator - Wide Column
7b	901,700,850.31	Can Remainer Oscillator
8a	801,803,170.21	Nyliner, Rear (not shown)
8b	901,801,250.01	Nyliner, Front - Wide Column only (not shown)
9	207,070,370.43	Wire Shield
10a	804,100,630.01	Sold Out Switch Assembly
	804,100,680.01	Sold Out Switch Assembly - IEC Standard
10b	432,070,190.13	Sold Out Paddle
10c	901,700,740.01	Sold Out Paddle Spring
11	491,020,070.33	Mechanism Support
12a	See list below	Evaporator Fan Motor Assembly
	491,000,200.03	115v
	491,340,400.03	220-240v
12b	See list below	Evaporator Fan Motor
	804,500,590.11	115v
	804,500,670.01	220-240v
12c	164,040,080.73	Evaporator Fan Motor Bracket
12d	800,303,270.11	Evaporator Fan Blade
12e	902,100,290.01	Silencer
13a	491,071,100.03	Can Chute Assembly (includes 13b & 13c)
13b	211,170,010.43	Can and Bottle Chute
13c	211,070,020.43	Chute Liner (Kydex)
14a	903,300,770.01	Foam Block
14b	169,000,130.03	Hinge Pocket Cover
15	176,072,110.13	Journal
C1	900,901,510.02	Screw, Phil Pan Tapping
A4	900,301,830.01	Seins Screw #10 - 32 x 3/8 (8)
A6	900,600,230.02	Sheet Metal Screw, Type "A"
H8	900,701,690.11	Hex Tap Screw #8 - 32 x 3/8 (3)
A8	900,301,820.01	Vend Motor Screw #4 x 1/4 - Double Switch (16)
	900,301,610.01	Vend Motor Screw #4 x 1/8 - Triple Switch
A9	900,301,560.01	Seins Screw #8 - 32 x 3/8 (23)
T5	900,401,090.01	Crumuck, Black Rubber #97 (3)
C5	900,800,850.01	Speed Nut
B1	900,707,850.01	Seins Screw #8 - 32 x 3/8

Hinges and Rollers - Coke (Landscape)



Refrigeration System - Coke (Landscape)

Item	Part Number	Part Name And Description
1	Provide information listed	Complete Refrigeration System: Indicate unit model number from serial plate on unit base plate, refrigerant, voltage/hertz and country.
2a	Provide information listed	Compressor 1/2 HP: Indicate compressor manufacturer, voltage/hertz, refrigerant and complete manufacturer's model number.
2b	See list below	Compressor Lead Harness (not shown)
	901,900,611.01	All, except IEC Standard
	804,905,520.01	220-240v/50hz, IEC Standard
2c	902,001,570.01	Compressor Mounting Bracket
2d	900,901,880.01	Compressor Mounting Retainer Clip
2e	901,803,510.01	Compressor Grounding Plug, Plastic
3a	491,040,040.43	Condenser Base Plate
3b	See list below	Condenser Fan Motor Assembly
	491,040,200.03	115v
	491,140,300.03	220-240v
3c	See list below	Condenser Fan Motor
	804,500,670.01	115v
	804,500,700.01	220-240v
3d	800,103,370.02	Fan Blade (not shown)
4a	491,000,100.03	Drain Pan Assembly
4b	801,303,670.01	Drain Pan
4c	901,900,020.21	Soaker (8 required)
4d	901,400,060.11	Soaker Rod
5a	491,040,050.53	Condenser Baffle, Right Side (not shown)
5b	491,040,060.63	Condenser Baffle, Rear
6a	801,806,050.11	Drain Tube
6b	900,301,790.01	Drain Tube Nut
7a	901,900,500.01	Drain Hose
7b	900,901,030.01	Drain Hose Clamp
8	See listing below	Main Wiring Harness
	804,902,220.01 (a)	United States
	804,905,480.01 (b)	Australia, IEC 335 (not shown)
	804,905,490.01 (c)	United Kingdom, IEC 335 (not shown)
	804,902,160.21 (d)	Europe (not shown)
	804,903,160.01 (e)	Mexico (not shown)
	804,905,450.01 (f)	Italy (not shown)
	804,905,470.01 (g)	Danish, IEC 335 (not shown)
	804,905,360.01 (h)	Germany, with Splashwater Protector (not shown)
9	211,040,030.13	Top Fan Housing
10	802,800,410.01	Temperature Control
11	491,040,110.33	fan Shroud Condenser
12a	Provide information listed	Relay: Indicate compressor manufacturer, model # and voltage/hz
12b	Provide information listed	Overload: Indicate compressor manufacturer, model # and voltage/hz
13	802,401,240.01	Dryer
14	802,600,550.01	Condenser
15	802,600,370.51	Evaporator
16	812,400,460.01	Accumulator
17	802,800,420.01	Knob, Temperature Control
A6	900,600,230.02	Sheet Metal Screw, Type "A" (not shown) (2)
A9	900,301,560.01	Sems. Screw #8 - 32 x 3/4 (8)
B3	900,301,810.01	Nut, #10 - 32 x 1 1/2
D1	905,700,360.01	Lockwasher, 3/8" (2)
E4	900,901,890.01	Timcrnan Clip (2)
D6	900,400,440.01	Refrigeration Bolt 3/8 - 16 x 1 (2)

Signs and Decals - Coke (Landscape)



①



②

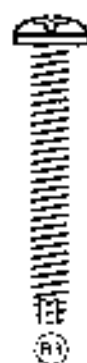
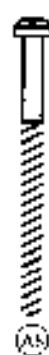
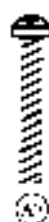


③



④

Screws & Nuts - Coke (Landscape)



Washers, Bolts & Misc. - Coke (Landscape)

