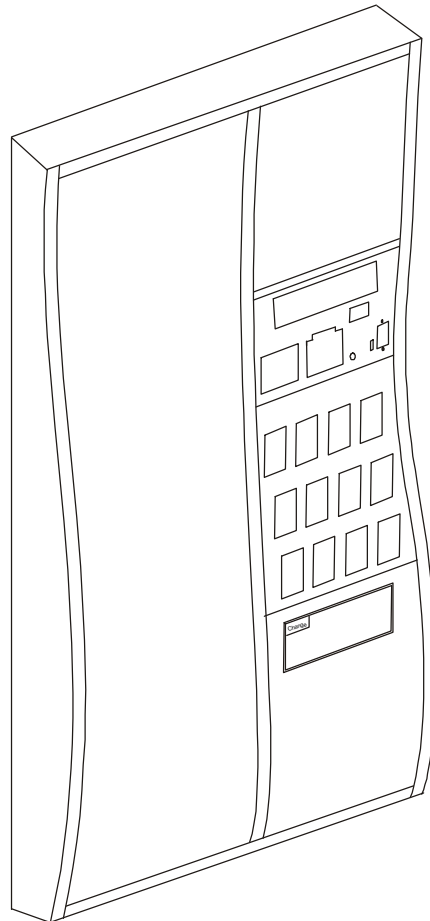


DIXIE-NARCO, INC.

Coca-Cola Marketing Machine Parts

Beginning Serial Number 0001-6501BW
June 1998

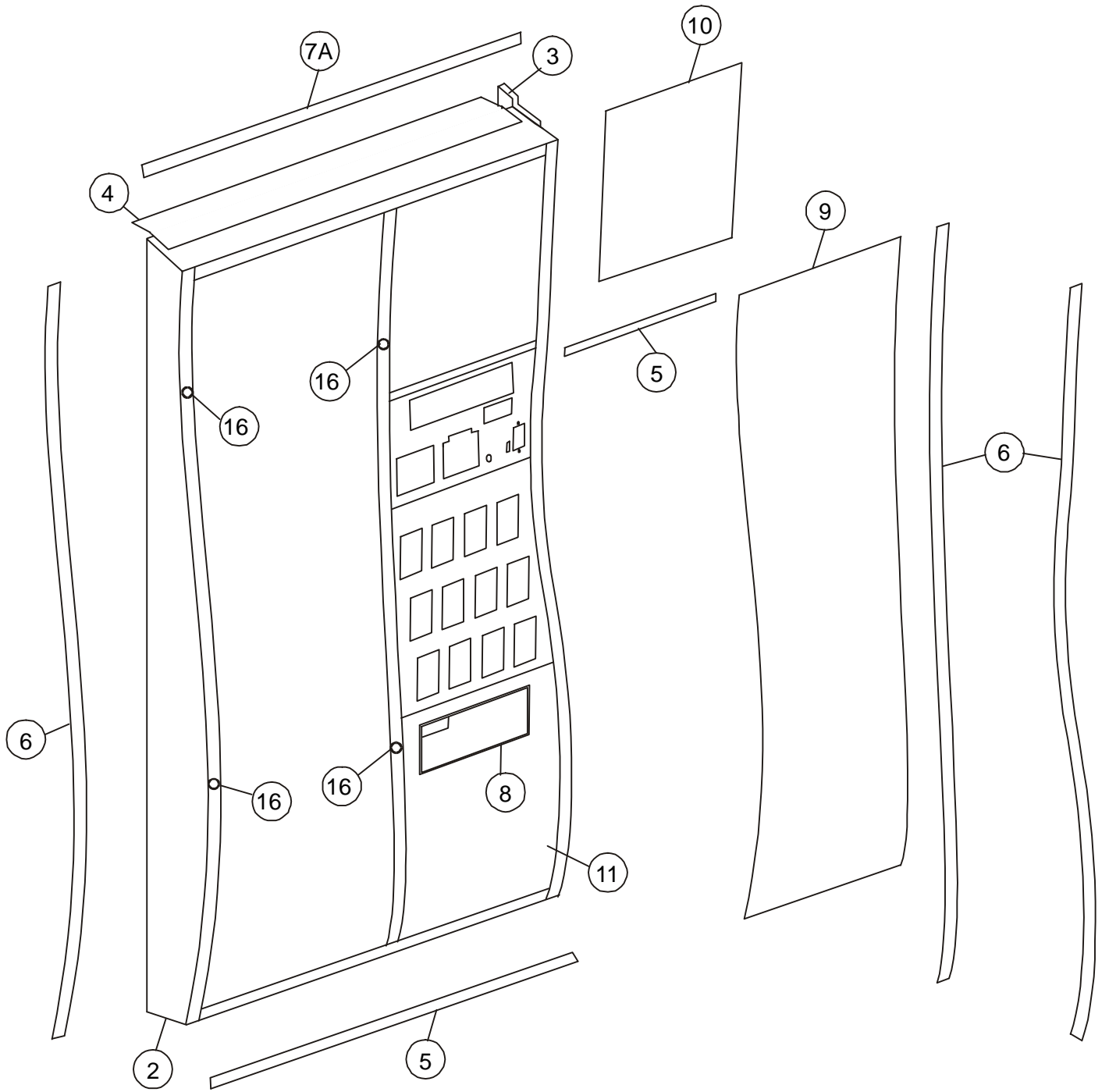


Dixie-Narco, Inc.
Dixie-Narco Blvd.
P.O. Drawer 719
Williston, SC 29853-0719

Revised: October 25, 1999

Table of Contents

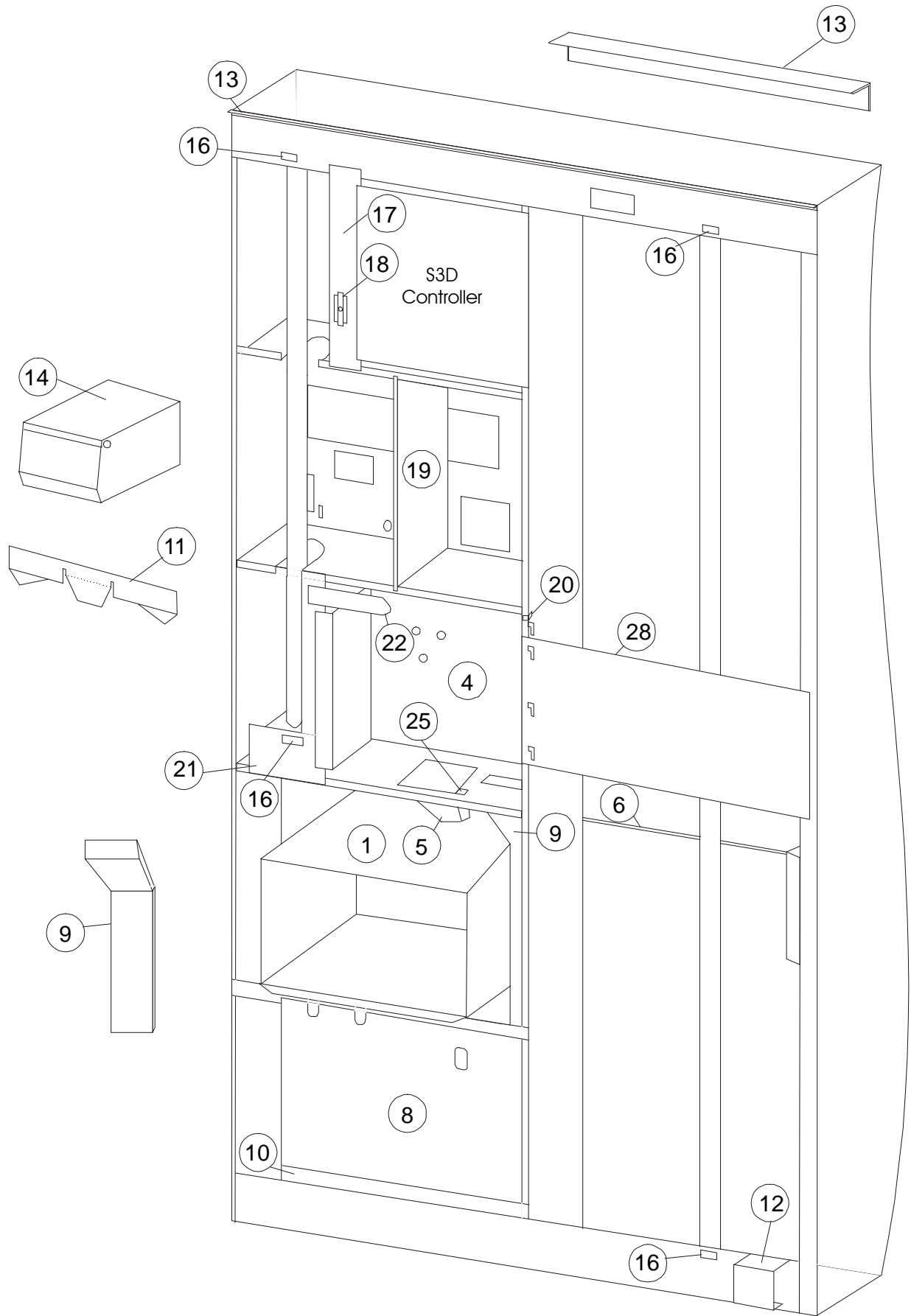
Main Door Exterior.....	Page 4
Main Door Interior.....	Page 7
Pull Out Handle & Coin Insert	Page 10
Select Panel / Coin Insert Panel.....	Page 12
Lighting.....	Page 15
Wiring Harness.....	Page 17
Inner Door	Page 18
Two-Bar Linkage / Nut Retainer Housing.....	Page 20
Hinges and Roller Assembly	Page 22
Cabinet Interior.....	Page 23
Cabinet and Vend Mechanism	Page 27
Refrigeration System.....	Page 31
Electronic Components	Page 35
Screws and Nuts	Page 38
Washers, Bolts, and Miscellaneous Hardware.....	Page 40



MAIN DOOR EXTERIOR

ITEM #	DESCRIPTION	PART NUMBER
1	Coke Marketing Machine, Door Assy.	
	72" Wide -13 S3D	624,053,30x.x3
	72" Narrow -13 S3D	624,053,50x.x3
	79" Wide -13 S3D	624,053,00x.x3
	72" Wide -9 S2D	624,053,20x.x3
	72" Narrow -9 S2D	624,053,40x.x3
	79" Wide -9 S2D	624,053,10x.x3
2	Coke Marketing Machine, Door Weld Assy.	
	72" Wide	624,050,10x.x3
	72" Narrow	624,050,20x.x3
	79" Wide	624,050,00x.x3
3	Protective Plate Door	
	72" Wide / Narrow	165,150,33x.x3
	79"	164,150,33x.x3
4	Rain Guard	
	72" and 79" Wide	164,151,14x.x3
	72" Narrow	169,050,34x.x3
5	Horizontal Trim	
	Bottom, Wide	801,810,65x.x1
	Bottom, Narrow	801,810,65x.x1
	Control Panel, Wide	801,810,65x.x1
	Control Panel, Narrow	801,810,65x.x1
6	Vertical Trim	
	Left and Right	801,812,13x.x1
	Center	801,810,64x.x1
7A	Hinged Top Sign Trim Assy.	
	72W, 72N, 79W	801,810,87x.x1
7B	Top Sign Trim Locking Bar	
		801,810,86x.x1
8	W/A Port Trim Spacer	
		624,052,40x.x3
8A	Port Trim	
		805,700,95x.x1
8B	Port Spacer	
		805,700,67x.x1
9	Sign (Full Length)	
	72" Wide Bottle Domestic	805,025,06x.x1
	72" Narrow Bottle Domestic	805,025,07x.x1
	79" Wide Bottle Domestic	805,025,05x.x1
	72" Wide Can Domestic	805,025,44x.x1
	72" Narrow Can Domestic	805,025,45x.x1
	79" Wide Can Domestic	805,025,43x.x1
	72" Narrow Can Export	805,026,52x.x1
	72" Narrow Bottle Export	805,026,53x.x1

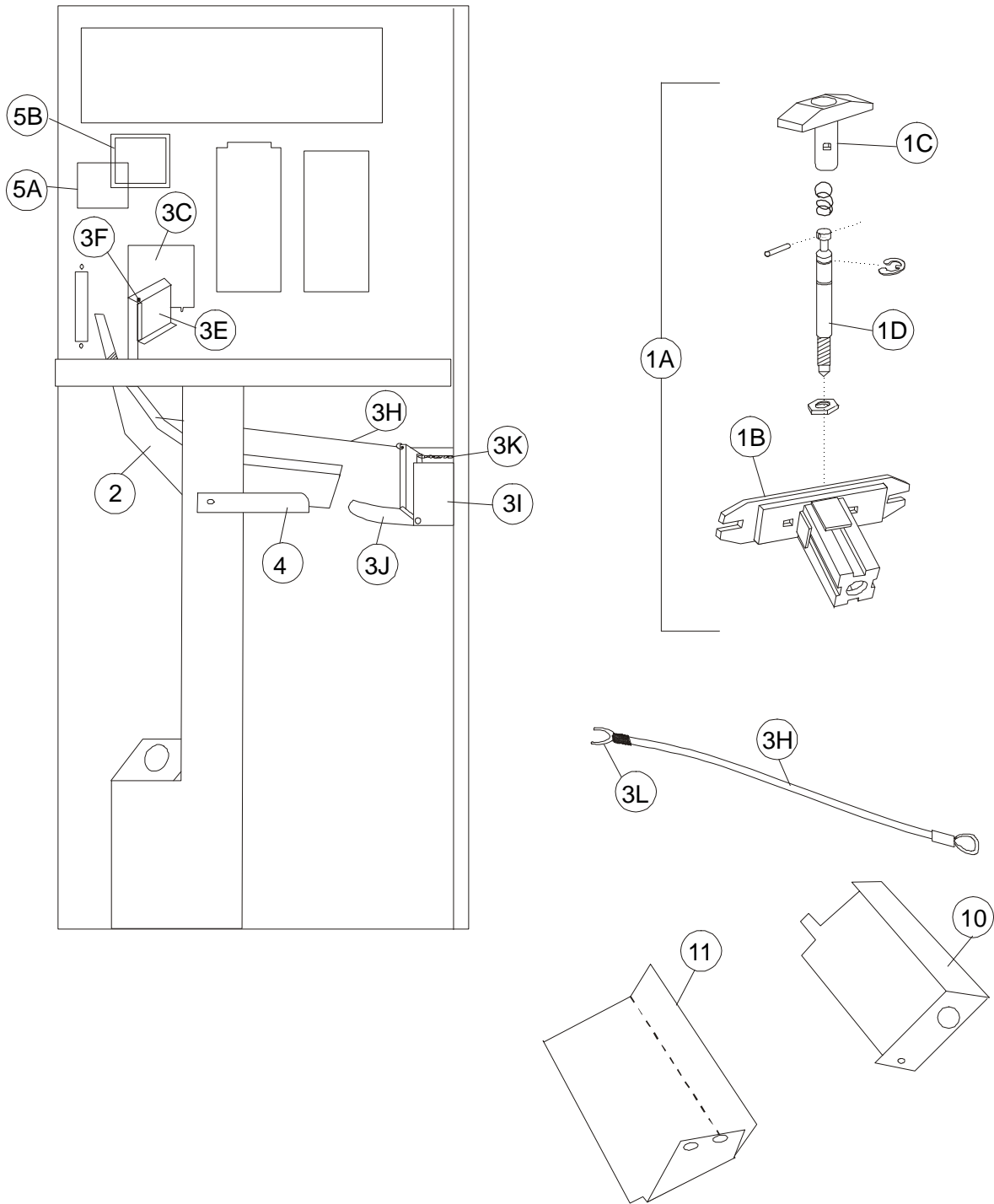
ITEM #	DESCRIPTION	PART NUMBER
10	Advertise Window	
	72" Wide and 72" Narrow	805,025,32x.x1
	79" Wide	805,025,31x.x1
11	Port Panel	
	Wide / Narrow	624,050,53x.x3
12	Hinges, Main Door	
	Assy, Top	624,052,90x.x3
	Assy, Bottom	801,305,13x.x1
13	Advertise Window Card	
		803,853,88x.x1
14	Decal, Port Panel	
	72W	803,854,42x.x1
15	Decals	
	Right Side Door 72"	803,853,89x.x1
	Right Side Door 79"	803,853,92x.x1
	Left Side Door 72"	803,853,91x.x1
	Left Side Door 79"	803,853,93x.x1
	Vandal Panel Door 72"	803,853,94x.x1
	Vandal Panel Door 79"	803,853,95x.x1
	Protective Plate Left Side Cabinet 72"	803,853,96x.x1
	Protective Plate Left Side Cabinet 79"	803,853,97x.x1
	Protective Plate Right Side Cabinet 72"	803,853,98x.x1
	Protective Plate Right Side Cabinet 79"	803,853,99x.x1
16	Christmas Tree Clip	
		800,902,48x.x1
A4	Screw, Phil Pan w/out Washer #8-18x $\frac{1}{2}$ "	900,301,50x.x1
B2	Keps Nut $\frac{1}{4}$ 20	900,800,67x.x1
B3	Keps Nut #8-32	900,800,50x.x1
B7	Elastic Stop Nut #8-32	900,800,51x.x1
B10	Hex Nut, Center w/ Flange $\frac{5}{16}$ -18 (top hinge - drop in)	900,801,02x.x1
D2	T-Bolt #8-32x1 $\frac{3}{8}$ "	900,400,41x.x1
D3	T-Bolt #8-32x $\frac{3}{4}$ "	900,400,35x.x1
D4	T-Bolt #8-32x $\frac{1}{2}$ "	900,400,45x.x1
E4	Carriage Bolt $\frac{1}{4}$ 20x $\frac{1}{2}$ "	900,201,45x.x1
E8	Carriage Bolt $\frac{5}{16}$ -18x1- $\frac{1}{4}$ (top hinge - drop in)	900,201,85x.x1
F5	Pop Rivet, Steel (Zinc Plated) $\frac{1}{8}$ "	901,100,61x.x1
H1	Christmas Tree Clip, #354280307-00	900,902,13x.x1



MAIN DOOR INTERIOR

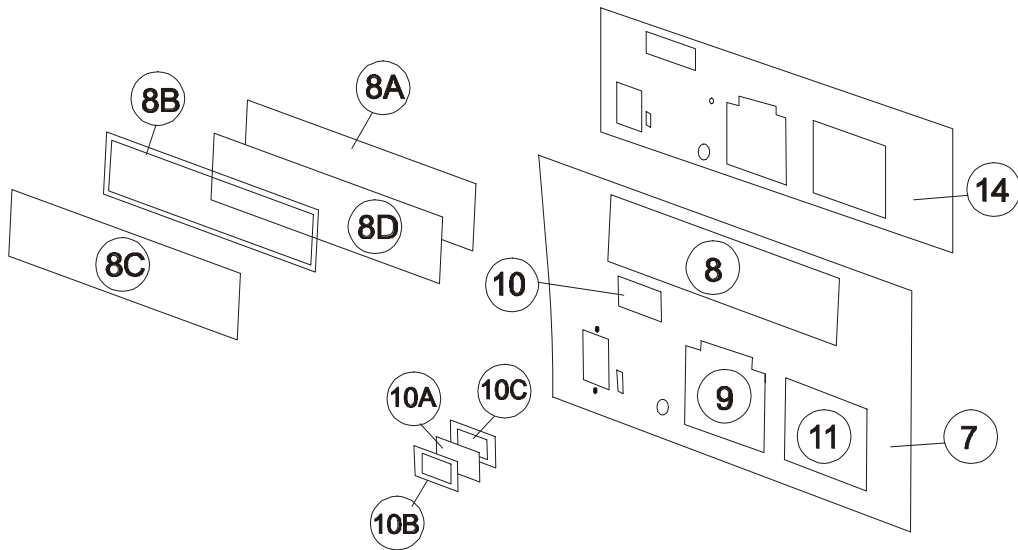
ITEM #	DESCRIPTION	PART NUMBER
1	Delivery Port (Large Port)	
		801,810,68x.x1
2	Delivery Port Spacer (Large Port)	
	W/A Trim Spacer	624,052,40x.x3
	Right Side	624,050,64x.x3
	Left Side	624,050,63x.x3
3	Port Stiffener	
	Wide / Narrow	624,050,03x.x3
4A	Access Door (prior to 6506AX)	
	Wide / Narrow	805,700,89x.x1
4B	Access Door (hinged) (0001-6506AX and higher)	
	Wide / Narrow	805,701,12x.x1
5	Hopper, Weld Assy.	
	Top	624,054,60x.x3
6A	Door Rod	
	Wide	801,401,83x.x1
	Narrow	801,401,84x.x1
6B	Door Rod Stiffener	
	Wide	624,050,95x.x3
	Narrow	624,050,94x.x3
7	Door Hinge	
	Top	801,305,14x.x1
	Bottom	801,305,13x.x1
8	Cash Box W/A	
		624,052,80x.x3
9	Cash Box Coin Chute Assy.	
		624,052,70x.x3
10	Cash Box Shelf	
	Wide	805,700,66x.x1
11	Closure Strip	
	Wide / Narrow	609,050,14x.x3
12	Cover, Wire Plug	
	Wide / Narrow	624,050,67x.x3
13	"L" Profile Gasket	
	Wide	903,600,53x.x1
	Narrow	903,600,54x.x1
14	Assy., Coin Return Cup	
	Wide / Narrow	624,052,30x.x3
15A	Weld Assy. Coin Return Cup	
	Wide	624,050,30x.x3
15B	Coin Return Cup Door	
		801,810,75x.x1
16	Lamp Bracket	
	Wide / Narrow	624,050,39x.x3
17	S3D Mounting Bracket	
	72" Wide / Narrow	624,050,72x.x3
	79" Wide	624,050,73x.x3

ITEM #	DESCRIPTION	PART NUMBER
18	Bracket, Door Switch	
	Wide / Narrow	604,051,28x.x3
19	Bill Validator Guard	
	Wide / Narrow	805,700,98x.x1
20	Access Door Anti Vandal Bracket	
	Wide	805,701,02x.x1
21	Access Door Jamb	
	Wide / Narrow (prior to 6506AX)	805,700,97x.x1
	Wide / Narrow (0001-6506AX and higher)	805,701,09x.x1
22	Coin Chute Bracket	
		805,701,01x.x1
23	Standoff	
	.192x.312x.312	901,001,46x.x1
24	Push Nut, Acorn Type	
		900,902,37x.x1
25	Hopper Strap	
		624,050,79x.x1
26	Access Door Hinge (0001-6506AX and higher)	
	Top	624,054,10x.x3
	Bottom	624,054,20x.x3
27	Access Door Latch	
	0001-6506AX and higher	801,304,53x.x1
28	Door Stiffener	
	Wide	624,050,97x.x3
	Narrow	624,050,99x.x3
A4	Screw, Phil Pan w/out washer #8-18x $\frac{1}{2}$ "	900,301,50x.x1
A5	Screw, Phil Pan Swage Form #8-32x $\frac{3}{8}$ "	900,301,80x.x1
A9	Screw, Phil Pan Swage Form #8-32x $\frac{3}{8}$ " (prior to 1970-6462)	900,301,56x.x1
A11	Screw, Phil Pan Sems #8-32x $\frac{1}{4}$ " (s/n 19706462 & higher)	900,301,97x.x1
A15	Screw, Machine Truss #10-32x $\frac{1}{2}$ "	900,201,14x.x1
A16	Screw, Phil Pan Sems w/washer #8-18x $\frac{1}{2}$ "	900,301,65x.x1
A20	Screw, Machine Phil Pan #8-32x $\frac{3}{4}$ "	900,201,22x.x1
B1	Keps Nut #10-32	900,800,65x.x1
B2	Keps Nut # $\frac{1}{4}$ 20	900,800,67x.x1
B3	Keps Nut #8-32	900,800,50x.x1
B7	Elastic Stop Nut #8-32	900,800,51x.x1
C12	Nylon Spacer (prior to 1970-6462)	801,902,48x.x1
E2	Carriage Bolt $\frac{1}{4}$ x20x1	900,201,17x.x1
E4	Carriage Bolt $\frac{1}{4}$ x20x $\frac{1}{2}$	900,201,45x.x1
E5	Carriage Bolt $\frac{1}{4}$ x20x $\frac{3}{8}$ "	900,201,54x.x1
	Carriage Bolt $\frac{1}{4}$ x20x $\frac{1}{2}$ Red	900,202,04x.x1
F5	Pop Rivet, Steel (Zinc Plated) $\frac{1}{8}$ "	901,100,61x.x1
I2	Nylon Spacer	801,902,48x.x1
I10	Wire Tie, 4"	901,901,00x.x1

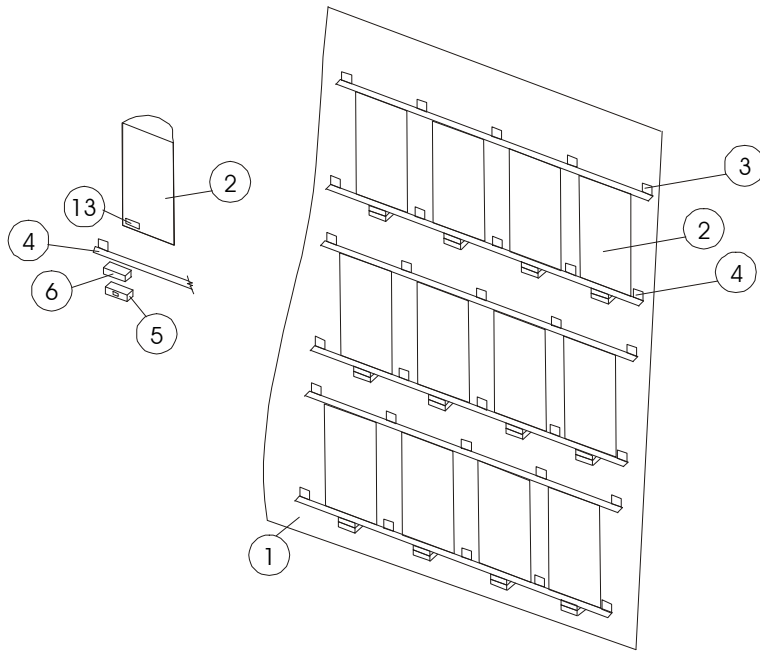


PULL OUT HANDLE & COIN INSERT

ITEM #	DESCRIPTION	PART NUMBER
1A	Assy. T-handle	801,518,20x.x1
1B	T-Handle Flange	801,518,18x.x1
1C	T-Handle Only	801,518,14x.x1
1D	T-Handle Stud	801,518,17x.x1
2	Coin Chute Assy.	624,052,60x.x3
3A	Coin Return Assy.	624,052,50x.x3
3B	Push Button Coin Return	801,807,25x.x1
3C	Coin Return Button Bracket	624,050,23x.x3
3D	Bushing .500x.625	801,903,13x.x1
3E	Coin Return Rocker #6 (serial break not available at print)	624,050,22x.x3
3F	Roller Pin	900,502,19x.x1
3G	Roller Pin Retainer	900,900,90x.x1
3H	Coin Return Cable Assy. #6 Cable (serial break not available at print)	801,305,15x.x1
3I	Coin Return Changer Bracket	624,050,21x.x3
3J	Coin Return Changer Rocker	624,050,45x.x3
3K	Coin Return Spring	901,701,07x.x1
3L	Wing Nut 6-32 (serial break not available at print) 8-32 (first 10,000 venders - s/n 0001-6501BW to #####-#####)	800,801,14x.x1 800,801,15x.x1
4	Coin Chute Bracket	805,701,01x.x1
5A	Display Lens	801,810,67x.x1
5B	Display Lens Gasket	802,001,28x.x1
6	Coin Insert Label S3D SIID	803,853,85x.x1 803,853,83x.x1
7	Coin Chute Can Diverter	805,701,11x.x1
8	Lockcover Kit	624,010,00x.x4
9	T-Handle Shim	805,701,24x.x1
10	T-handle Bolt Cover	624,050,85x.x3
11	Coin Chute Rain Diverter	805,701,11x.x1



COIN INSERT PANEL

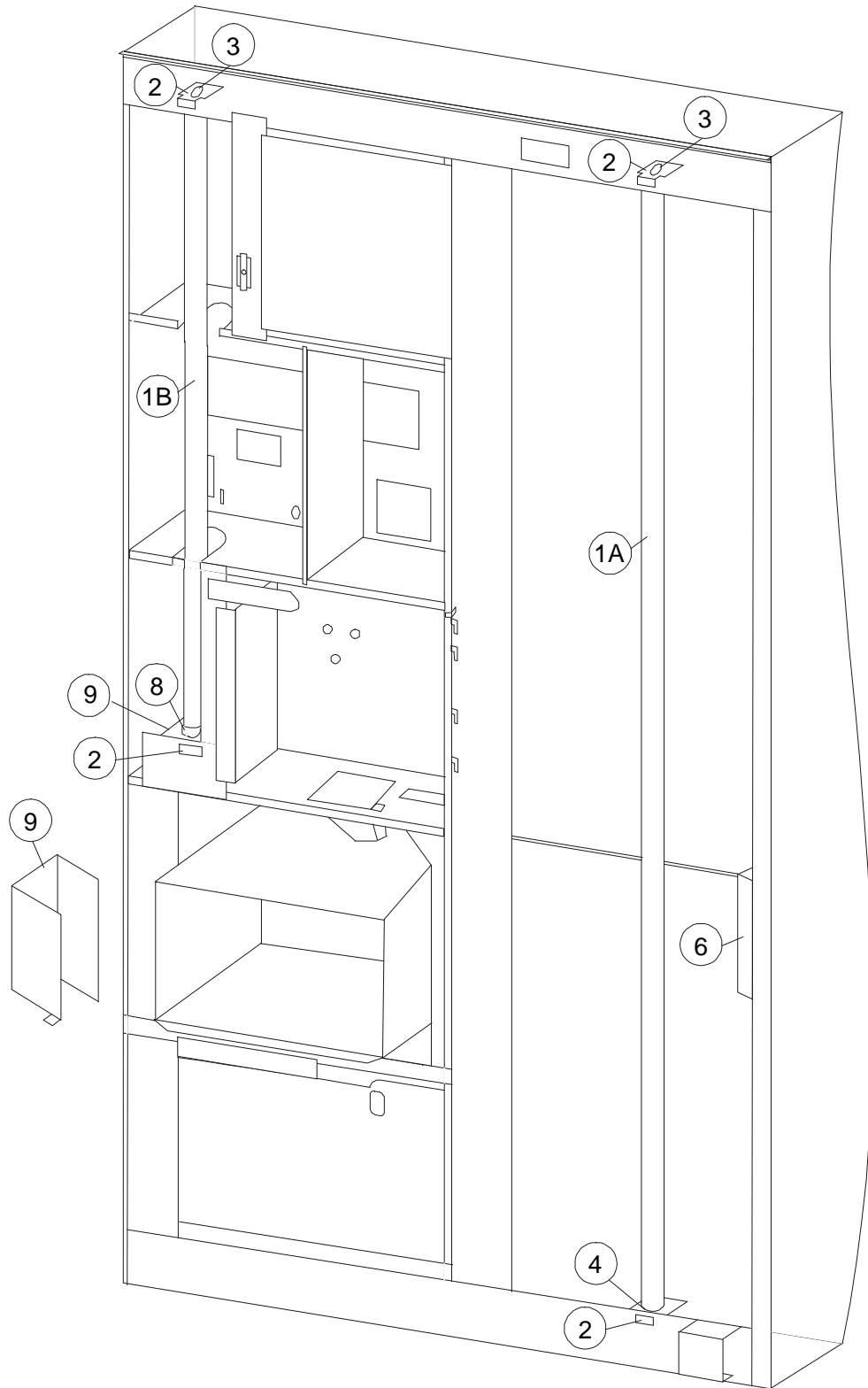


SELECT PANEL

SELECT PANEL / COIN INSERT PANEL

ITEM #	DESCRIPTION	PART NUMBER
1A	Select Panel Assy.	
	12 Select	624,051,80x.x3
	8 Select	624,051,90x.x3
1B	Select Panel Stud Assy.	
	12 Select	624,052,00x.x3
	8 Select	624,052,10x.x3
2	Select Button Assy.	
		624,010,20x.x4
3	Select Button Retainer	
	.063x1 ⁹ / ₁₆ x14 ¹³ / ₁₆	624,050,12x.x3
4	Select Button Stop	
	.063x2.301x14.813	805,700,58x.x1
5	Select Switch SIID	
		804,100,74x.x1
6	Switch Insulator	
	SIID / S3D – Black Color	801,812,17x.x1
	Single Price – Natural Color	801,805,92x.x1
7	Stud & Coin Insert Panel Weld Assembly	
	Domestic	624,051,30x.x3
	Export	624,054,00x.x3
8A	POS Window Lens	
		801,810,69x.x1
8B	POS Window Gasket	
		802,001,29x.x1
8C	POS Window Backup Plate	
	.045x5.422x13.332	624,050,48x.x3
8D	Coin Insert POS Card	
	Thirsty	803,853,87x.x1
9	Feature Button	
	Retainer, Feature Button	624,050,58x.x3
	Stop, Feature Button	805,700,94x.x1
	Card Reader Mounting Plate Assy.	624,054,70x.x3
	Filler Plate Assy.	624,054,80x.x3
	Feature Button Assy.	624,051,50x.x3
	Feature Button Mounting Plate Assy.	624,051,60x.x3
10A	Display Lens	
		801,810,67x.x1
10B	Display Lens Gasket	
		802,001,28x.x1
10C	Display Visibility Gasket	
		802,001,31x.x1
11A	Validator Filler Plate	
		624,050,93x.x3
	Card Reader Mounting Plate	
		624,054,70x.x3

ITEM #	DESCRIPTION	PART NUMBER
11B	Validator Filler Plate Gasket	902,001,02x.x1
11C	Spacer, Bill Validator	624,050,84x.x3
11D	Bill Validator Spacer Gasket	902,001,11x.x1
12	Coin Insert Label S3D	803,853,85x.x1
13	Adhesive Backed Foam Tape	803,600,91x.x1
14	Label, Coin Insert Panel	803,853,85x.x1
A6	Screw, Phil Pan #4-24x $\frac{3}{4}$	900,300,47x.x1
B2	Keps Nut $\frac{1}{4}$ -20	900,800,67x.x1
B3	Keps Nut 8-32	900,800,50x.x1

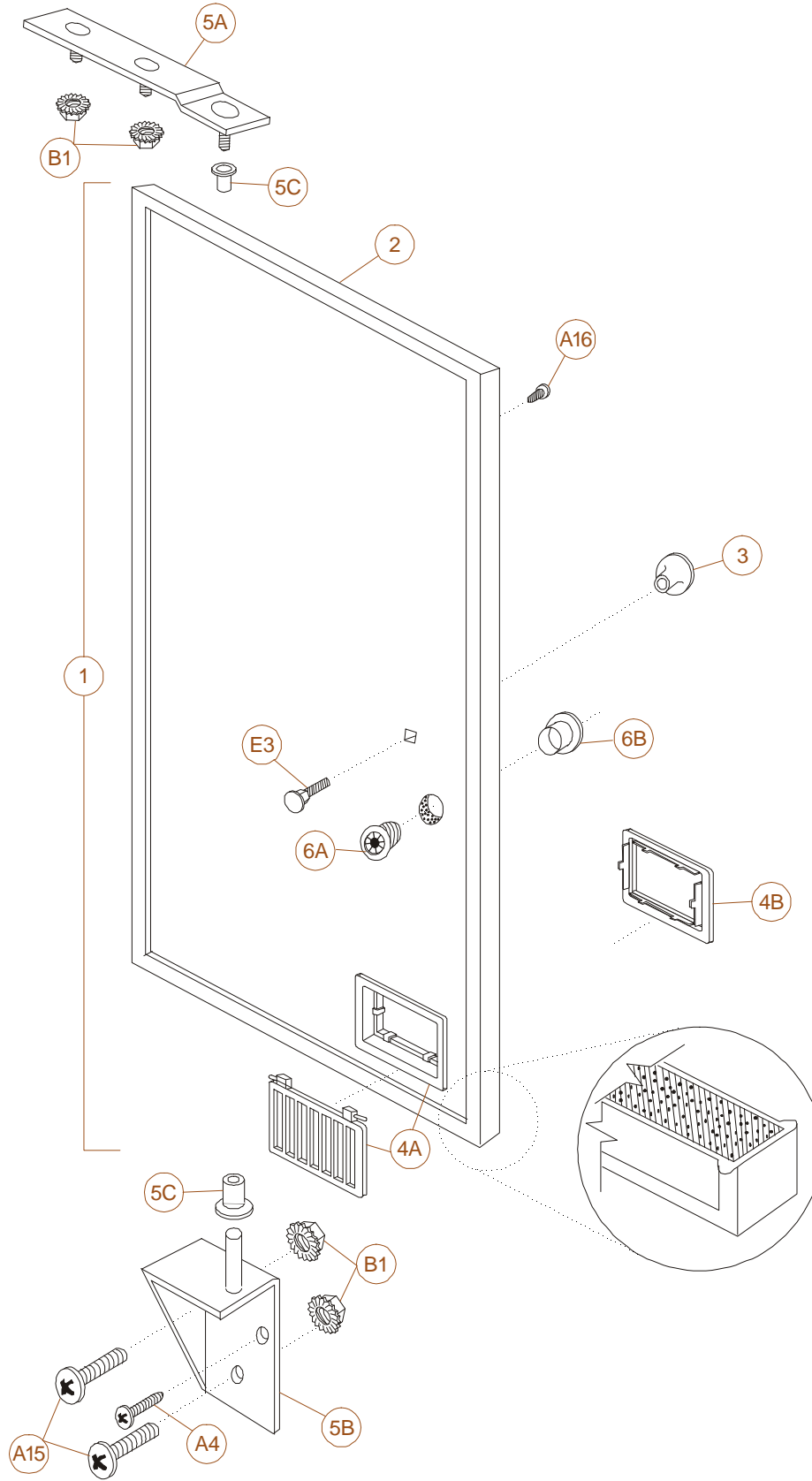


LIGHTING

ITEM #	DESCRIPTION	PART NUMBER
1	Fluorescent Bulb	
1A	F64T12/D H/O (72")	804,700,37x.x1
	F72T12/D H/O (79")	804,700,36x.x1
1B	F42T12D H/O (72")	804,700,64x.x1
	F48T H/O (79")	804,700,39x.x1
1C	48" T8 Metric Philips TLD 36W/840 NG (export)	804,700,66x.x1
	60" T8 Metric Philips TLD 58W/840 NG (export)	804,700,67x.x1
	72" T8 Metric Philips TLD 70W/840 NG (export)	804,700,68x.x1
2	Door Bracket, Lamp Socket	
	110V (.045 x 2.684 x 2.985) - 4 per	624,050,39x.x3
	220 / 50 (.045 x 3.043 x 2.289) - 3 per	624,000,04x.x3
	220 / 50 79" Bulkhead Socket Bracket (.045 x 2.061 x 3.491) - 1 per	624,050,92x.x3
3	Lampholder, Top	
	H/O 523	804,901,99x.x1
4	Lampholder, Bottom	
	H/O 524	804,902,00x.x1
	T8 (220 / 50) - 4 per (Leviton 13351-UN)	804,917,16x.x1
5	Light Harness, Plug In	
	H/O Assembly	804,916,02x.x1
	220 / 50 Light Harness	804,917,14x.x1
6	Ballast	
	High Output 110V/60Hz (domestic)	804,400,38x.x1
	High Output 220 / 240V, 50 / 60 Hz (export)	804,400,55x.x1
7	Jumper, H/O Lamp Fixture 22"	
	Bottom 110V/60Hz (domestic) 22"	804,913,93x.x1
	220 / 50 Lamp Fixture 24"	804,916,06x.x1
8	Boot, Lamp	
		902,001,21x.x1
9	Lamp Socket Shield	
		624,050,83x.x3
10	220 V (International) Ballast Jumper	
		804,917,15x.x1
A1	Screw, Phil Pan Swage Form #6-32x ³ / ₈	900,301,70x.x1

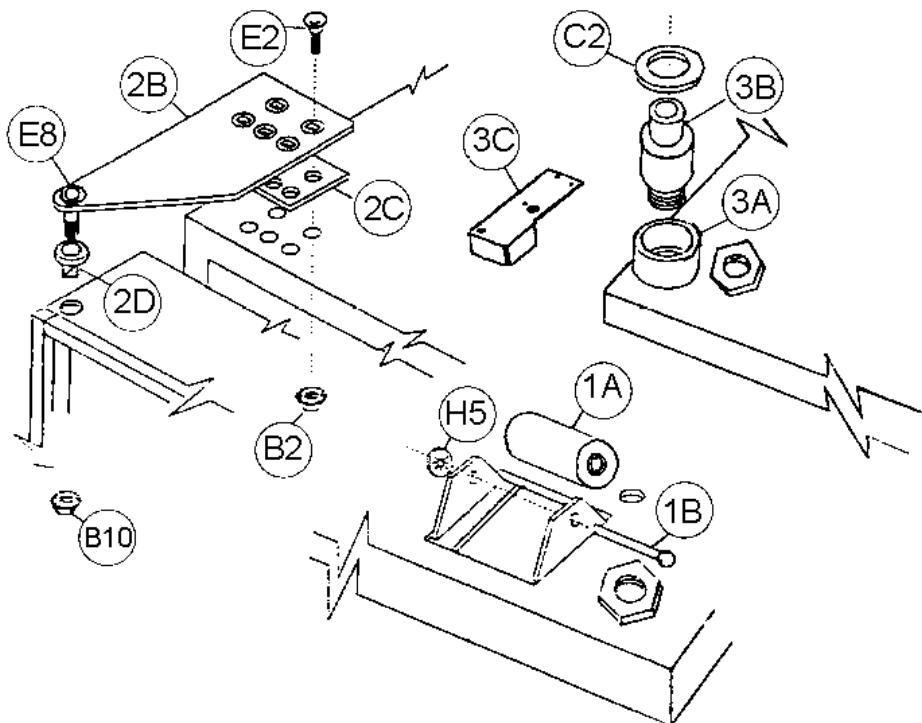
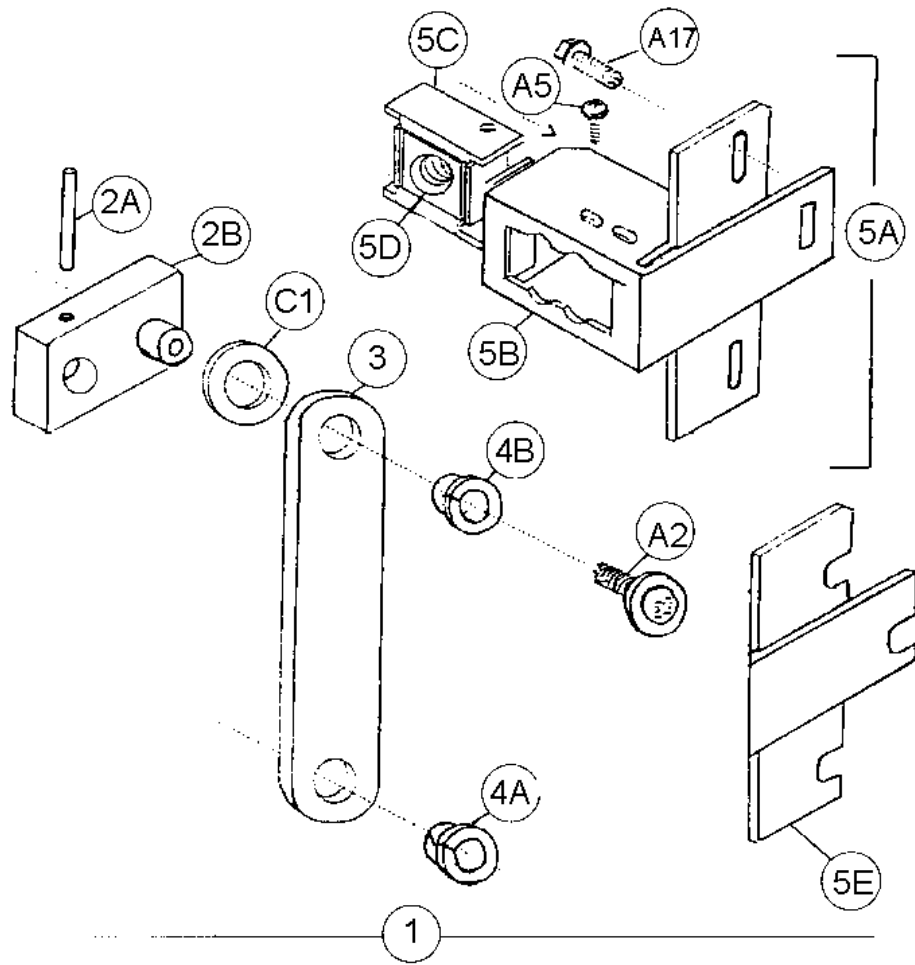
WIRING HARNESS

ITEM #	DESCRIPTION	PART NUMBER
1	Cabinet Harness	
	SIID-9 (Cam and Sold-Out Switch Harness)	804,915,04x.x1
	SIID-7	804,917,01x.x1
2	Door Harness	
	CC-9 Electronic	804,914,04x.x1
	CC-10 Electronic	804,913,89x.x1
	CC-11, 12, 13 Electronic without Sold-Out Lights	804,913,92x.x1
	CC-11, 12, 13 Electronic with Sold-Out lights	804,916,07x.x1
	CC-11, 12 Electronic without Sold-Out Lights	804,914,56x.x1
	CC-11, 12 Electronic with Sold-Out Lights	804,914,57x.x1
3	Display Harness	
	41" SIID / S3D	804,909,50x.x1
4	Coin Mech Harness	
	MDB	804,909,78x.x1
5	Cabinet Extension Harness	
	80" SIID / S3D	804,913,96x.x1
6	Motor Extension Harness	
	76" SIID / S3D	804,913,95x.x1
	90" SIID / S3D	804,909,29x.x1
7	Motor Harness	
	SIID-9	804,915,03x.x1
	SIID-7	804,917,02x.x1
8	DEX Harness	
	External	804,913,97x.x1
9	Sold-Out Light Harness 9 Select	
		804,916,09x.x1



INNER DOOR

ITEM #	DESCRIPTION	PART NUMBER
1	Inner Door Assy.	
	79" Wide	624,051,00x.x3
	72" Wide	624,051,10x.x3
	72" Narrow	624,051,20x.x3
2	Inner Door Gasket	
	79" Wide	801,804,07x.x1
	72" Wide	801,804,06x.x1
	72" Narrow	801,804,03x.x1
3	Knob	
		901,501,70x.x1
4A	Discharge Frame Assy.	
		801,809,16x.x1
4B	Discharge Frame Retainer	
		801,809,15x.x1
5A	Inner Door Top Hinge Assy.	
		169,053,00x.x3
5B	Inner Door Bottom Hinge Assy.	
		169,051,10x.x3
5C	Plastic Bearing	
		901,803,71x.x1
6A	Bushing, Inner Door	
		801,806,42x.x1
6B	Bushing Retainer, Inner Door	
		801,806,43x.x1
A4	Screw, Phil Pan w/out Washer #8-18x½	900,301,50x.x1
A15	Screw, Machine Truss #10-32x½	900,201,14x.x1
A16	Screw, Phil Pan Sems #8-18x½	900,301,65x.x1
A34	Screw, Phil Pan #6-20x ³ / ₈	800,303,22x.x1
B1	Keps Nut #10-32	900,800,65x.x1
E3	Carriage Bolt, ¼20x1¼	900,201,23x.x1

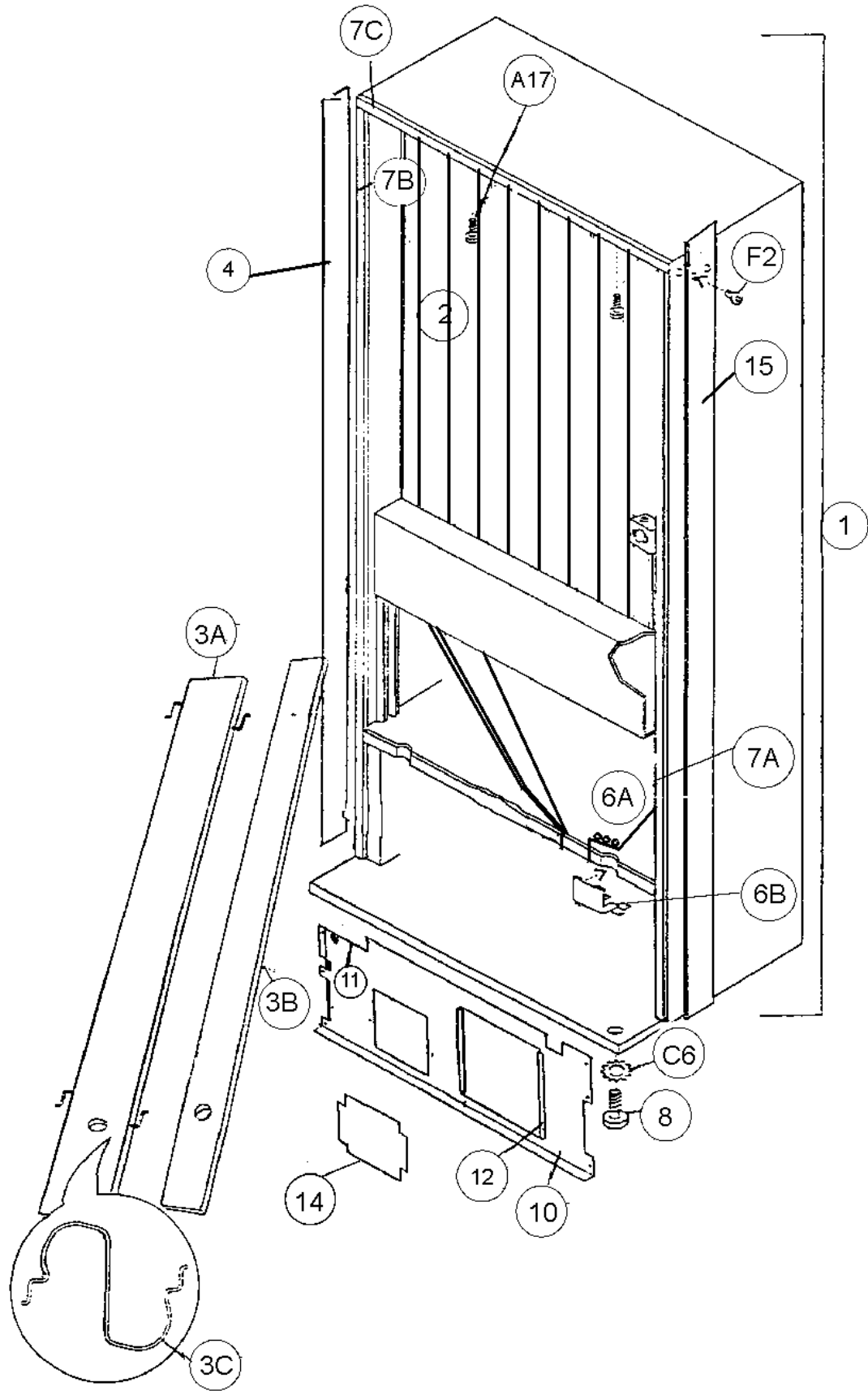


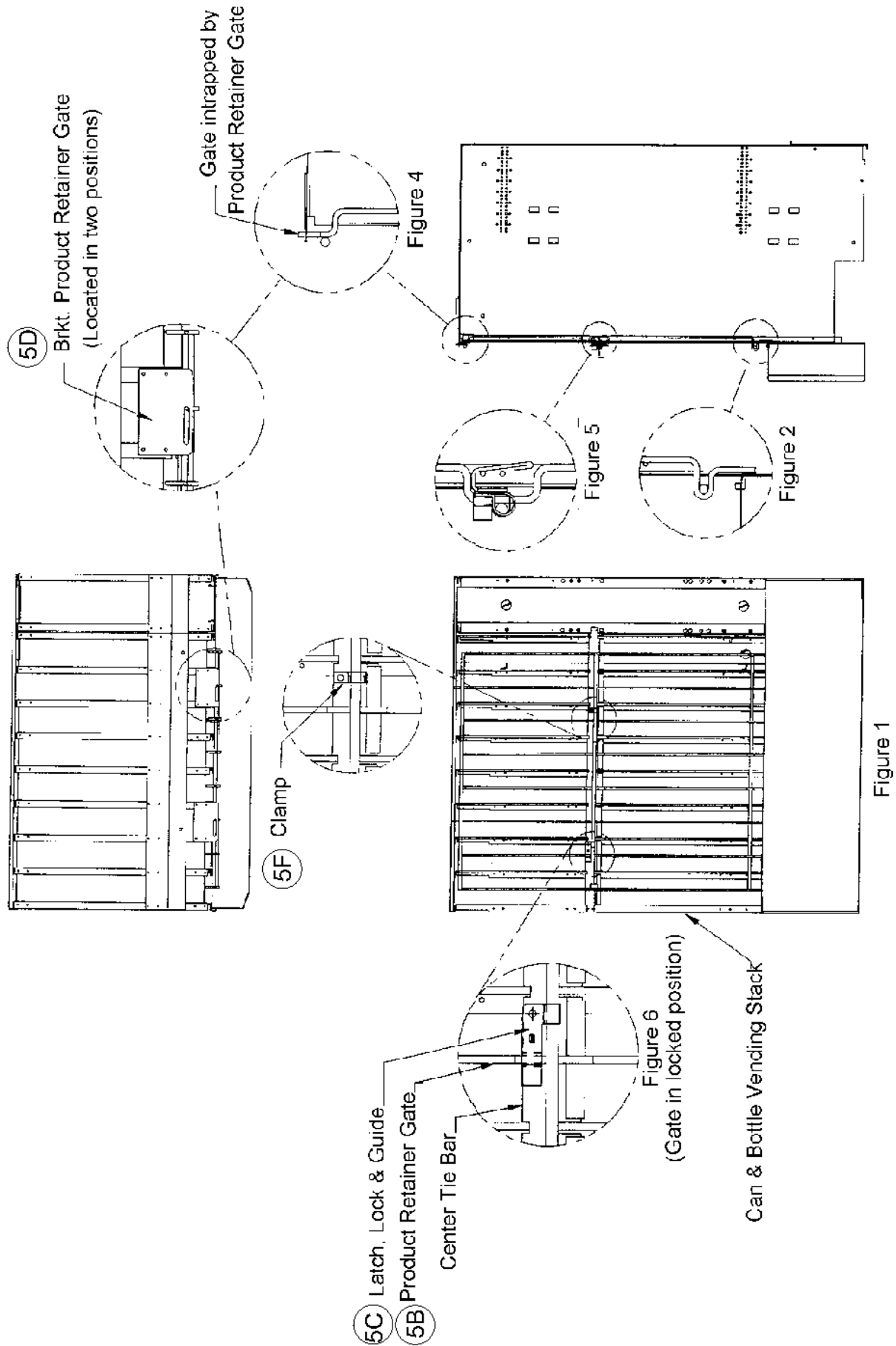
TWO-BAR LINKAGE / NUT RETAINER HOUSING

ITEM	DESCRIPTION	DNCB 600E 79" Wide	DNCB 501E 72" Wide	DNCB 276E 72" Narrow
1	Linkage and Drive Arm Assy.			
	All Styles	NA	NA	NA
2A	Groove Pin, 1/8x1 3/16 (30mm) - T2			
	All Styles	900,901,94x.x1	900,901,94x.x1	NA
2B	Drive Arm (Zinc)			
	All Styles	801,200,95x.x1	801,200,95x.x1	NA
3	Linkage Arm (Zinc)			
	All Styles	801,201,59x.x1	801,201,59x.x1	NA
4A	Nyliner, Top			
	All Styles	901,803,16x.x1	901,803,16x.x1	NA
4B	Nyliner, Bottom			
	All Styles	901,804,77x.x1	901,804,77x.x1	NA
5A	Assy., Nut Retainer Housing "E" - 1 point lock			
	Coke	432,052,50x.x4	432,052,50x.x4	432,052,50x.x4
5B	Traditional Nut Retainer Housing - 1 point lock			
	Coke	432,050,73x.x3	432,050,73x.x3	432,050,73x.x3
5C	Cage Nut Traditional - 1 point lock			
	Coke	801,803,85x.x1	801,803,85x.x1	801,803,85x.x1
5D	Square Nut, 1/2-13 N.C. - 1 point lock			
	All Styles Standard	900,800,57x.x1	900,800,57x.x1	900,800,57x.x1
	All Styles High Security	900,801,06x.x1	900,801,06x.x1	900,801,06x.x1
A2	Screw, Phil Pan Swage Form #8-32x1/2"		900,301,64x.x1	
A5	Screw, Phil Pan Swage Form #8-32x1/4"		900,301,97x.x1	
A11	Screw, Phil Pan Sems #8-32x1/4"		900,301,97x.x1	
A17	Screw, Type F, 1/4-20x5/8		900,302,01x.x1	
C1	Flat Washer B, Delrin .040 thick 3/8"IDx5/8"OD		900,700,60x.x1	

HINGES AND ROLLER ASSY.

ITEM	DESCRIPTION	DNCB 600E 79" Wide	DNCB 501E 72" Wide
1A	Roller, Main Door		
	All Styles	901,806,20x.x1	901,806,20x.x1
1B	Roller Pin		
	All Styles	900,502,19x.x1	900,502,19x.x1
2A	Assy., Top Hinge (drop in pin) E-Models All Styles		
		624,052,90x.x3	624,052,90x.x3
2B	Top Hinge (drop in pin) E-Models All Styles		
		801,305,14x.x1	801,305,14x.x1
2C	Top Hinge Spacer		
	All Styles	169,000,15x.x3	169,000,15x.x3
2D	Hinge Bearing		
	All Styles	805,300,42x.x1	805,300,42x.x1
3A	Bottom Hinge Sleeve		
	All Styles	900,502,64x.x1	900,502,64x.x1
3B	Bottom Hinge Pin		
		900,502,70x.x1	900,502,70x.x1
3C	Bottom Hinge		
		801,305,13x.x1	801,305,13x.x1
A9	Screw, Phil Pan Swage Form #8-32x3/8"	900,301,56x.x1	
A15	Screw, Machine Truss #10-32x1/2"	900,201,14x.x1	
A17	Screw, Self Tapping 1/4-20x5/8"	900,302,01x.x1	
B2	Keps Nut, 1/4-20	900,800,67x.x1	
B4	Keps Nut, Top Door Hinge 3/8-16	900,800,69x.x1	
B10	Hex Nut, 5/16-28 Center w/Flange (top hinge - drop in)	900,801,02x.x1	
C2	Flat Washer Door Hinge	901,303,77x.x1	
C10	Washer, Flat 18 Gauge	900,700,83x.x1	
C11	Flat Washer, 14 Gauge 5/16"-3/8"x7/8"	900,700,08x.x1	
E2	Carriage Bolt, 1/4-20x1	900,201,17x.x1	
E6	Carriage Bolt 1/4-20x3/4"	900,201,56x.x1	
E8	Carriage Bolt, 1/4-20x1 1/4 (top hinge - drop in)	900,201,85x.x1	
E9	Carriage Bolt, 1/4-20x5/8"	800,303,19x.x1	
H5	Retainer, Roller Pin	900,900,90x.x1	

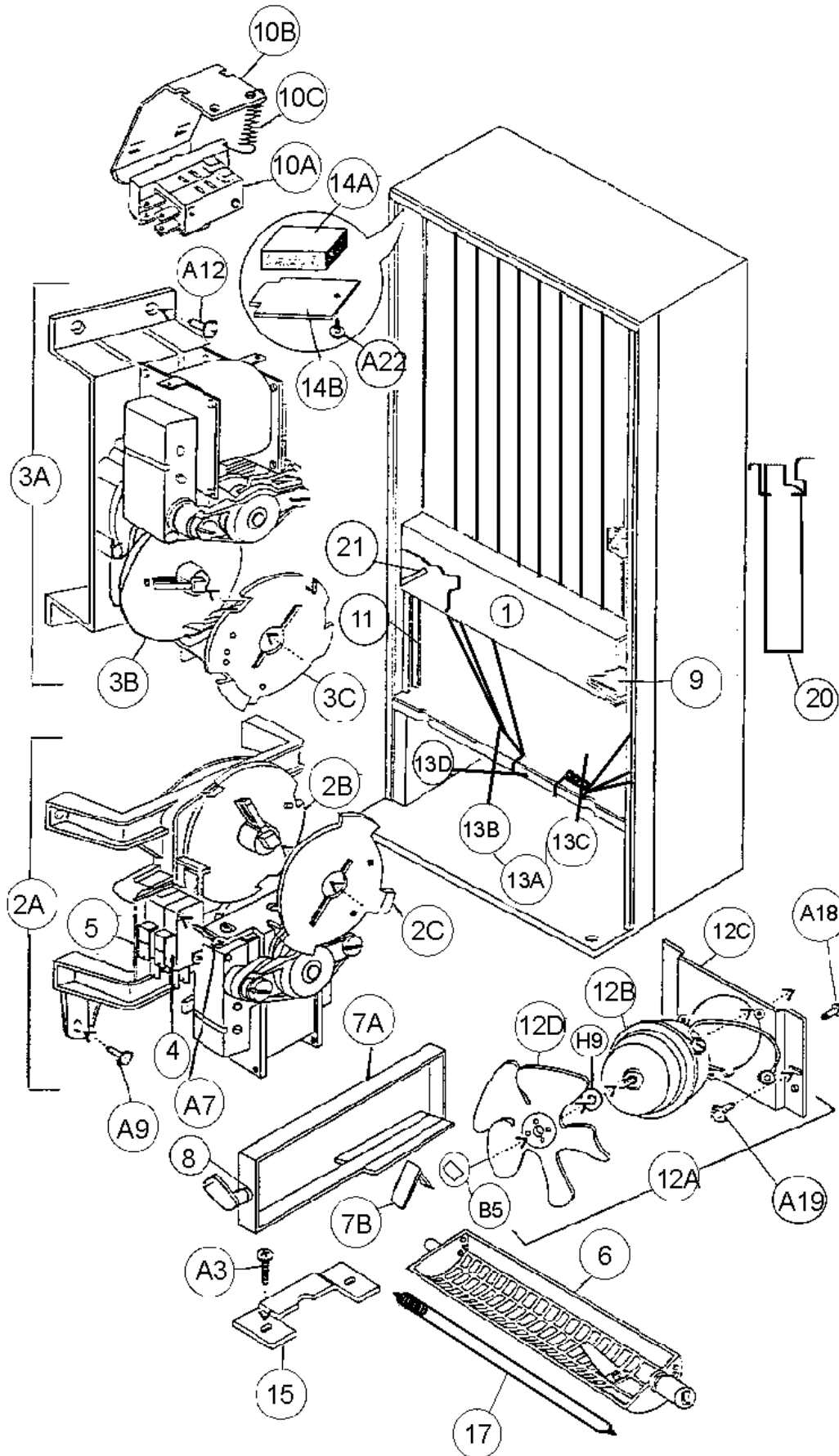




CABINET INTERIOR

ITEM	DESCRIPTION	DNCB 600E 79" Wide	DNCB 501E 72" Wide	DNCB 276E 72" Narrow
1	Foam Cabinet Assy.			
	All Styles	624,000,50x.x3	624,000,30x.x2	624,000,10x.x3
2A	Stack Assy.			
	Single Price - Cans	610,070,30x.x3	609,071,00x.x3	NA
	SIID - Cans	610,070,50x.x3	609,071,20x.x3	NA
	Single Price - Bottles	610,070,70x.x3	609,071,40x.x3	NA
	SIID - Bottles	610,070,80x.x3	609,071,50x.x3	NA
	Stack Assy. Single Price - No Shimming	NA	NA	615,070,40x.x3
	Stack Assy. SIID - No Shimming	NA	NA	615,070,00x.x3
	Single Price -330 ml Can 4 deep	610,071,60x.x3	609,074,30x.x3	609,074,80x.x3
	SIID -330 ml Can 4 deep	610,071,70x.x3	609,074,40x.x3	609,074,90x.x3
2B	Stack Sub Assy.			
	All Styles	610,070,40x.x3	609,071,10x.x3	615,070,10x.x3
	330 ml Can 4 Deep Single Price	610,071,80x.x3	609,074,50x.x3	609,075,00x.x3
3A	Rear Spacer Assy. Wide Column			
	All Styles	497,073,10x.x3	498,071,30x.x3	NA
3B	Rear Spacer Assy. Narrow Column			
	All Styles	497,073,20x.x3	498,071,40x.x3	498,071,40x.x3
3C	Latch Spring			
	Wide	901,700,88x.x1	901,700,88x.x1	NA
	Narrow	901,700,86x.x1	901,700,86x.x1	901,700,86x.x1
4	Protective Plate Left Side			
	All Styles	594,020,24x.x3	594,020,23x.x3	594,020,23x.x3
5A	Gate, Wire			
	All Styles	801,401,73x.x1	801,401,72x.x1	801,401,76x.x1
5B	Wire Gate Latch Lock & Guide			
	All Styles	801,401,77x.x1	801,401,77x.x1	801,401,77x.x1
5C	Wire Gate Bracket Top			
	All Styles	609,070,36x.x3	609,070,36x.x3	609,070,36x.x3
5D	Gate Label - Caution "E"			
	All Styles	803,855,82x.x1	803,855,82x.x1	803,855,82x.x1
5E	Clamp, Nylon Cable 1/2"			
	All Styles	900,901,80x.x1	900,901,80x.x1	900,901,80x.x1
6A	Mullion			
	All Styles	801,810,56x.x1	801,810,56x.x1	801,810,85x.x1
6B	Mullion Cover			
	All Styles	801,303,83x.x1	801,303,83x.x1	801,303,83x.x1
7A	Breaker Strip Right			
	All Styles	491,020,15x.x3	492,020,04x.x3	492,020,04x.x3
7B	Breaker Strip Left			
	All Styles	491,020,16x.x3	492,020,05x.x3	492,020,05x.x3
7C	Breaker Strip Top			
	All Styles	491,020,17x.x3	491,020,17x.x3	493,020,06x.x3
8	Leveling Leg 5/8"-11x2 1/16"			
	All Styles	900,502,49x.x1	900,502,49x.x1	900,502,49x.x1
9	Mounting Bracket, Rear			
	All Styles	609,070,24x.x3	609,070,24x.x3	609,070,24x.x3
10	Cabinet Front Stiffener Plate			
	All Styles	594,021,10x.x3	594,021,10x.x3	596,020,20x.x3

ITEM	DESCRIPTION	DNCB 600E 79" Wide	DNCB 501E 72" Wide	DNCB 276E 72" Narrow
11	Trim Access Hole Stiffener			
	All Styles	801,807,10x.x1	801,807,10x.x1	801,807,10x.x1
12	Caterpillar Grommeting			
	All Styles	801,809,93x.x1	801,809,93x.x1	801,812,07x.x1
14	Kydex Door			
	All Styles	801,903,34x.x1	801,903,34x.x1	801,903,34x.x1
15	Protective Plate Right, Cabinet			
		164,000,04x.x3	165,000,04x.x3	165,000,04x.x3
A4	Screw, Phil Pan 8-18x1/2		900,301,50x.x1	
A5	Screw, Phil Pan Swage Form #8-32x1/4"		900,301,97x.x1	
A9	Screw, Phil Pan 8-32x3/8		900,301,56x.x1	
A10	Screw, Machine #6-32x1 1/4"		900,201,31x.x1	
A14	Screw, Phil Pan 10-32x1 1/4		900,301,81x.x1	
A16	Screw, Phil Pan Sems 8-18x1/2"		900,301,65x.x1	
A17	Screw, Type F 1/4-20x5/8		900,302,01x.x1	
A19	Screw, Phil Pan 10-32x5/8		900,901,51x.x1	
A21	Screw, Phil Pan 8-18x1/2		900,301,98x.x1	
A26	Screw, Phil Pan 8-18x3/4		800,303,15x.x1	
B2	Keps Nut 1/4"-20		900,800,67x.x1	
C6	Lockwasher, Shakeproof 5/8" (1132-00-00-0551)		900,700,89x.x1	
C8	Washer, Shakeproof (4610-16-01-0551)		900,700,62x.x1	
E7	Carriage Bolt 1/4-20x5/8		900,303,12x.x1	
F1	Pop Rivet, Aluminum 1/4"		900,100,43x.x1	
F5	Pop Rivet, Steel (Zinc Plated) 1/8"		901,100,61x.x1	
F6	Pop Rivet, Aluminum 1/8"		901,100,53x.x1	
H2	Tinnerman Clip, Fan Shroud (C5207-014-3B)		900,901,89x.x1	
H7	Hole Plug, Snap In - 1 1/4		801,807,01x.x1	
I6	Clamp, Nylon 5/16 Black Heyco 3355 or Dennison 10159		900,901,79x.x1	
I7	Clamp, Nylon 1/2" Heyco 3328		900,901,80x.x1	

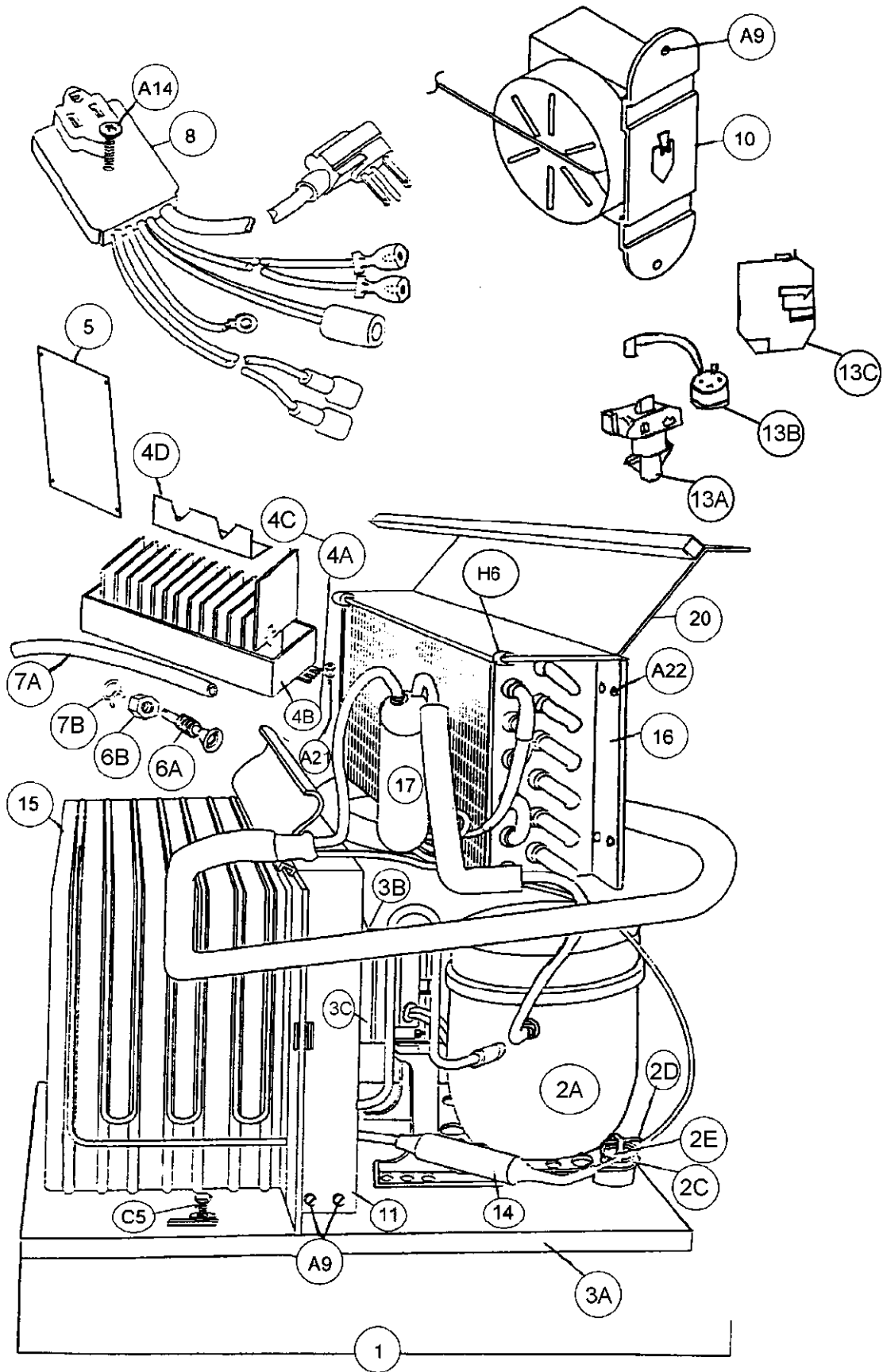


CABINET AND VEND MECHANISM

ITEM	DESCRIPTION	DNCB 600E 79" Wide	DNCB 501E 72" Wide	DNCB 276E 72" Narrow
1	Vend Motor Cover Assy.			
	All Styles	609,070,43x.x3	609,070,43x.x3	615,070,07x.x3
2A	Vend Motor Assy., Wide			
	Single Price	609,070,60x.x3	609,070,60x.x3	NA
	SIID	609,070,70x.x3	609,070,70x.x3	NA
2B	Vend Cam, Wide Column			
	Grey	801,809,80x.x1	801,809,80x.x1	NA
2C	Adjustable Cam, Wide Column			
	Red	801,809,79x.x1	801,809,79x.x1	NA
3A	Vend Motor Assy., Narrow			
	Single Price	609,070,80x.x3	609,070,80x.x3	609,070,80x.x3
	SIID	609,070,90x.x3	609,070,90x.x3	609,070,90x.x3
3B	Vend Cam, Narrow Column			
	Brown	801,806,18x.x1	801,806,18x.x1	801,806,18x.x1
	Orange - 4 deep	801,810,39x.x1	801,810,39x.x1	801,810,39x.x1
3C	Adjustable Cam, Narrow Column			
	Brown	801,806,61x.x1	801,806,61x.x1	801,806,61x.x1
4	Vend Motor Switch			
	Single Price (double)	804,100,69x.x1	804,100,69x.x1	804,100,69x.x1
	SIID (single)	804,100,73x.x1	804,100,73x.x1	804,100,73x.x1
5	Vend Motor Switch Insulator			
	All Styles	905,800,33x.x1	905,800,33x.x1	905,800,33x.x1
6	Vend Rotor - Narrow Column			
	All Styles	801,201,56x.x1	801,201,56x.x1	801,201,56x.x1
	330 ml x 4 Can, Assy. Rotor	801,201,65x.x1	801,201,65x.x1	801,201,65x.x1
7A	Vend Oscillator - Wide Column			
	All Styles	801,201,57x.x1	801,201,57x.x1	NA
7B	Package Retainer - Oscillator			
	All Styles	801,807,87x.x1	801,807,87x.x1	NA
8	Nyliner			
	Front Wide Column Only (#8L2-FF)	901,804,23x.x1	901,804,23x.x1	NA
	Rear All Columns	801,803,17x.x1	801,803,17x.x1	801,803,17x.x1
9	Wire Shield			
	All Styles	267,070,37x.x3	267,070,37x.x3	615,070,12x.x3
10A	Sold-Out Switch Assy.			
	Single Price, 2/4 Price - Xenoy 1731	804,100,68x.x1	804,100,68x.x1	804,100,68x.x1
	SIID (w/ gold cross point) - Xenoy 1731	804,100,75x.x1	804,100,75x.x1	804,100,75x.x1
10B	Sold-Out Paddle			
	Standard	432,070,19x.x3	432,070,19x.x3	432,070,19x.x3
	Special Use Only - E-Models	609,070,19x.x3	609,070,19x.x3	609,070,19x.x3
	Narrow - Special Use Only E-Models	432,070,17x.x3	432,070,17x.x3	432,070,17x.x3
10C	Sold-Out Paddle Spring			
	All Styles	901,700,74x.x1	901,700,74x.x1	901,700,74x.x1
11	Mechanism Supports			
	All Models Rear	497,070,01x.x3	497,070,01x.x3	497,070,01x.x3
12A	Evaporator Fan Motor Assy.			
	115V	491,000,20x.x3	491,000,20x.x3	491,000,20x.x3
	220-240V	491,140,40x.x3	491,140,40x.x3	491,140,40x.x3

ITEM	DESCRIPTION	DNCB 600E 79" Wide	DNCB 501E 72" Wide	DNCB 276E 72" Narrow
12B	Evaporator Fan Motor			
	115V	804,500,59x.x1	804,500,59x.x1	804,500,59x.x1
	220-240V	804,500,52x.x1	804,500,52x.x1	804,500,52x.x1
12C	Evaporator Fan Motor Bracket			
	All Styles	164,040,08x.x3	164,040,08x.x3	164,040,08x.x3
12D	Evaporator Fan Blade			
	All Styles (AD775CW32S or FV775CW30S)	801,303,27x.x1	801,303,27x.x1	801,303,27x.x1
13A	Chute Assy., Can/Bottle			
	Standard	624,070,10x.x3	624,070,10x.x3	624,070,00x.x3
13B	Chute, Can/Bottle			
	All Styles	624,070,05x.x3	624,070,05x.x3	624,070,01x.x3
13C	Chute Liner (Kydex), Can/Bottle			
	All Styles	801,903,62x.x1	801,903,62x.x1	801,903,57x.x1
13D	Chute Bracket			
	All Styles	609,070,48x.x3	609,070,48x.x3	609,070,48x.x3
14A	Foam Block, EPS			
	All Styles	903,300,77x.x1	903,300,77x.x1	903,300,70x.x1
14B	Hinge Pocket Cover			
	All Styles	169,000,13x.x3	169,000,13x.x3	169,000,13x.x3
15	Journal			
	All Styles	176,072,11x.x3	176,072,11x.x3	NA
16	Shims			
	Flat Shim 3/16" (wide column)	801,809,72x.x1	801,809,72x.x1	NA
	Flat Shim 3/32" (wide column)	801,809,81x.x1	801,809,81x.x1	NA
	Can Stop Shim, Right (narrow column)	609,070,14x.x3	609,070,14x.x3	609,070,14x.x3
	Bottle Shim, Right (narrow column)	609,070,15x.x3	609,070,15x.x3	609,070,15x.x3
	Bottle Shim, Right (narrow column) Expose Stiffener	801,304,96x.x1	801,304,96x.x1	801,304,96x.x1
	Angle Shim (wide column)	610,070,06x.x1	610,070,06x.x1	NA
	Angle Shim (narrow column)	609,010,10x.x3	609,010,10x.x3	609,010,10x.x3
	Rotor Shim 330 ml x 4	609,070,57x.x3	609,070,57x.x3	609,070,57x.x3
	Shim 330 ml x 4 Can, Narrow Column	609,070,53x.x3	609,070,53x.x3	609,070,53x.x3
	Shim 25 cl x 4 Can, Narrow Column	609,070,56x.x3	609,070,56x.x3	609,070,56x.x3
	17	Rod and Spring Assy. (narrow column)		
All Styles		609,070,30x.x3	609,070,30x.x3	609,070,30x.x3
18	Tubes for Rod and Springs			
	Red	801,903,23x.x1	801,903,23x.x1	801,903,23x.x1
	Yellow	801,903,25x.x1	801,903,25x.x1	801,903,25x.x1
	White	801,903,24x.x1	801,903,24x.x1	801,903,24x.x1
19	Oscillator, Paddle Extension w/bottle stop			
	All Styles for advised set-up	324,010,21x.x3	324,010,21x.x3	NA
20	Bottle Divider			
	All Styles for advised set-up	609,072,40x.x3	609,072,30x.x3	609,072,30x.x3
21	Trim, Vend Motor Cover			
	All Styles	801,807,85x.x1	801,807,85x.x1	801,807,85x.x1
A3	Screw, Phil Pan 10-32x5/16"		900,301,83x.x1	
A6	Screw, Vend Motor #4-24x3/4" (Single Switch)		900,300,47x.x1	
A7	Screw, Vend Motor #4-24x1 1/16" (Double Switch)		900,301,82x.x1	
A8	Screw, Vend Motor #4-24x1 1/2" (Triple Switch)		900,301,61x.x1	
A9	Screw, Phil Pan 8-32x3/8		900,301,56x.x1	
A12	Screw, Phil Thread 8-32x5/8		900,301,85x.x1	

ITEM	DESCRIPTION	DNCB 600E 79" Wide	DNCB 501E 72" Wide	DNCB 276E 72" Narrow
A18	Screw, Hex Head 8-36x3/8"		900,301,69x.x1	
A19	Screw, Phil Pan 10-32x5/8"		900,901,51x.x1	
A22	Screw, Phil Pan 8-18x1/2"		900,301,84x.x1	
A32	Screw, Hex Washer Type 1 #8-32x3/8"		900,303,08x.x1	
B5	Speed Nut		900,800,85x.x1	
F5	Pop Rivet, Steel (Zinc Plated) 1/8"		901,100,61x.x1	
F6	Pop Rivet, Aluminum 1/8"		901,100,53x.x1	
F7	Pop Rivet, Steel (Zinc Plated) 3/16"		901,100,60x.x1	
H3	Grommet, Bk. Rubber #97		900,401,09x.x1	
H9	Silencer		902,100,29x.x1	
I11	Clamp, Nylon 3/4" Heyco 3382BL		901,900,55x.x1	

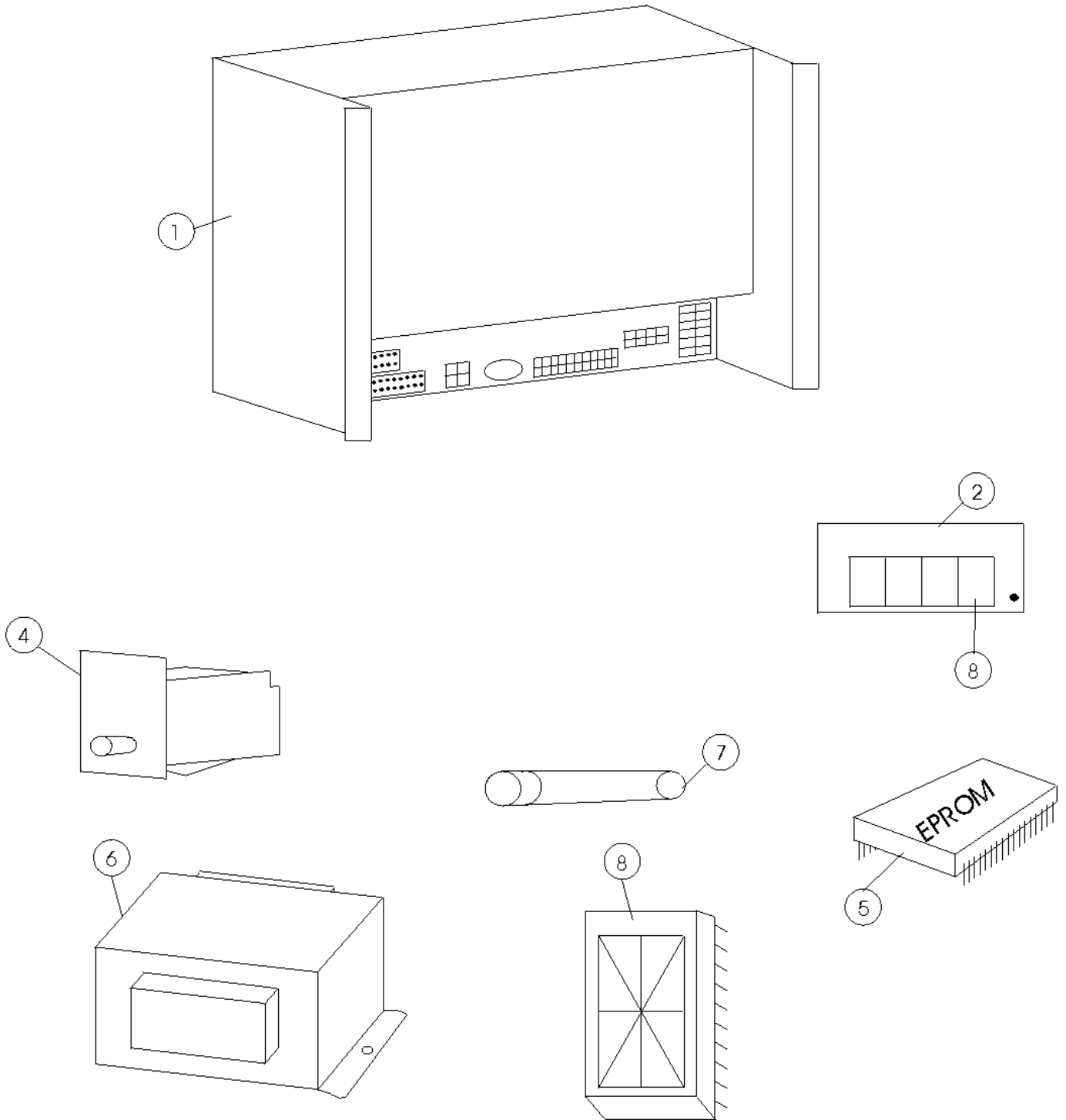


REFRIGERATION SYSTEM

ITEM	DESCRIPTION	DNCB 600E 79" Wide	DNCB 501E 72" Wide	DNCB 276E 72" Narrow
1	Complete Refrigeration System			
	All Styles Domestic (1203C-E)	609,040,90x.x3	609,040,90x.x3	609,040,90x.x3
	1/3 HP 220-240/50 "E" (1223-E IEC)	609,041,10x.x3	609,041,10x.x3	609,041,10x.x3
	1/3 HP 220-240/50 "E" (1223-E AUS)	609,041,30x.x3	609,041,30x.x3	609,041,30x.x3
	1/3 HP 220-240/50 "E" (1223-E GEN)	609,041,50x.x3	609,041,50x.x3	609,041,50x.x3
2A	Compressor			
	FF112HBX 115/60 1/3 HP	802,501,74x.x1	802,501,74x.x1	802,501,74x.x1
	FF112HBK 220/50 1/3 HP	802,502,17x.x1	802,502,17x.x1	802,502,17x.x1
2B	Compressor Lead Harness			
	115/60 (1203CB-E)	904,900,61x.x1	904,900,61x.x1	904,900,61x.x1
	Europe	804,905,32x.x1	804,905,32x.x1	804,905,32x.x1
	IECA	804,904,49x.x1	804,904,49x.x1	804,904,49x.x1
	220/50	904,900,61x.x1	904,900,61x.x1	904,900,61x.x1
2C	Compressor Mounting Grommet			
	All Styles	902,000,57x.x1	902,000,57x.x1	902,000,57x.x1
2D	Compressor Mounting Clip			
	All Styles	900,901,88x.x1	900,901,88x.x1	900,901,88x.x1
2E	Compressor Grommet Plug, Plastic			
	All Styles	901,803,91x.x1	901,803,91x.x1	901,803,91x.x1
3A	Condenser Base Plate			
	All Styles	491,040,25x.x3	491,040,25x.x3	491,040,25x.x3
3B	Condenser Fan Motor Assy.			
	115/60	491,040,20x.x3	491,040,20x.x3	491,040,20x.x3
	220/50	491,140,30x.x3	491,140,30x.x3	491,140,30x.x3
3C	Condenser Fan Motor And Bracket ("A" Frame)			
	115/60	804,500,67x.x1	804,500,67x.x1	804,500,67x.x1
	220/50	804,500,70x.x1	804,500,70x.x1	804,500,70x.x1
3D	Condenser Fan Blade			
	All Styles FY870CW25S	800,103,37x.x2	800,103,37x.x2	800,103,37x.x2
4A	Drain Pan Assy. w/ Fiberglass Soakers			
	All Styles	491,000,10x.x3	491,000,10x.x3	491,000,10x.x3
4B	Drain Pan, Plastic w/ Fingers			
	All Styles	801,804,24x.x1	801,804,24x.x1	801,804,24x.x1
4C	Soakers, Fiberglass (14 required)			
	All Styles	905,800,69x.x1	905,800,69x.x1	905,800,69x.x1
4D	Drain Pan Clamp			
	All Styles	594,000,06x.x3	594,000,06x.x3	594,000,06x.x3
5	Rear Condensate Plate			
	All Styles	801,903,52x.x1	801,903,52x.x1	801,903,52x.x1
6A	Drain Tube			
	All Styles	801,806,05x.x1	801,806,05x.x1	801,806,05x.x1
6B	Drain Tube Nut			
	All Styles	900,301,79x.x1	900,301,79x.x1	900,301,79x.x1
7A	Drain Hose			
	All Styles	901,900,50x.x1	901,900,50x.x1	901,900,50x.x1
7B	Drain Hose Clamp			
	All Styles	900,901,03x.x1	900,901,03x.x1	900,901,03x.x1

ITEM	DESCRIPTION	DNCB 600E 79" Wide	DNCB 501E 72" Wide	DNCB 276E 72" Narrow
8	Main Wiring Harness			
	United States & Mexico	804,902,22x.x1	804,902,22x.x1	804,902,22x.x1
9	Fan Housing Assy.			
	Double	609,044,00x.x3	609,044,00x.x3	NA
	Narrow	NA	NA	493,040,10x.x3
10A	Temperature Control			
	All Styles	802,800,50x.x1	802,800,50x.x1	802,800,54x.x1
10B	Bracket, Temperature Control Extension (.045x5.125x6.671)			
		624,000,01x.x3	624,000,01x.x3	624,000,01x.x3
11	Condenser Fan Shroud			
	All Styles	491,040,11x.x3	491,040,11x.x3	491,040,11x.x3
12	Relay (110V / 60 Hz)			
	Domestic Models Embraco 1.351.605	802,502,13x.x1	802,502,13x.x1	802,502,13x.x1
13	Overload / (110V / 60 Hz)			
	Domestic Models TIMRT22AFZ-5598 (FOR 1/3 HP)	802,502,10x.x1	802,502,10x.x1	802,502,10x.x1
14	Dryer			
	All Styles .054 Outlet 4AXH7	802,401,29x.x1	802,401,29x.x1	802,401,29x.x1
15	Condenser			
	All Styles "B" 1/3 HP	802,600,55x.x1	802,600,55x.x1	802,600,55x.x1
16	Evaporator (short)			
	CW01655 (1/3 HP)	802,600,37x.x1	802,600,37x.x1	802,600,37x.x1
17	Accumulator			
	1/3 HP	802,400,46x.x1	802,400,46x.x1	802,400,46x.x1
18A	Capacitor, Start			
	Domestic, 233-280MFD / 115V 60 Hz (FOR 1/3 HP)	802,501,21x.x1	802,501,21x.x1	802,501,21x.x1
18B	Capacitor, End Cap Bottom Hole			
	Domestic	802,501,18x.x1	802,501,18x.x1	802,501,18x.x1
18C	Capacitor Assembling Bracket			
	Domestic	802,501,87x.x1	802,501,87x.x1	802,501,87x.x1
19	Cover, Embraco			
	1.355.504 Short (Domestic) - 1/3 HP	802,501,86x.x1	802,501,86x.x1	NA
20	Top Evaporator Cover			
		609,050,06x.x3	609,050,06x.x3	615,050,14x.x3
A9	Screw, Phil Pan 8-32x3/8		900,301,56x.x1	
A16	Screw, Phil Pan Sems w/ Washer #8-18x1/2"		900,301,65x.x1	
A18	Screw, Hex Head 8-36x3/8"		900,301,69x.x1	
A21	Screw, Phil Pan Shoulder #8-18x17/32"		900,301,98x.x1	
A22	Screw, Phil Pan #8-18x1/2		900,301,84x.x1	
A28	Screw, Phil Flat 10-32x1/2		900,301,94x.x1	
A29	Screw, Machine Brass 6-32x1/4		900,201,44x.x1	
B5	Speed Nut		900,800,85x.x1	
C5	Lock Washer, Split 3/8"		900,700,36x.x1	
E1	Refrigeration Bolt 3/8-16x1"		900,400,44x.x1	
F6	Pop Rivet, Aluminum 1/8"		901,100,53x.x1	

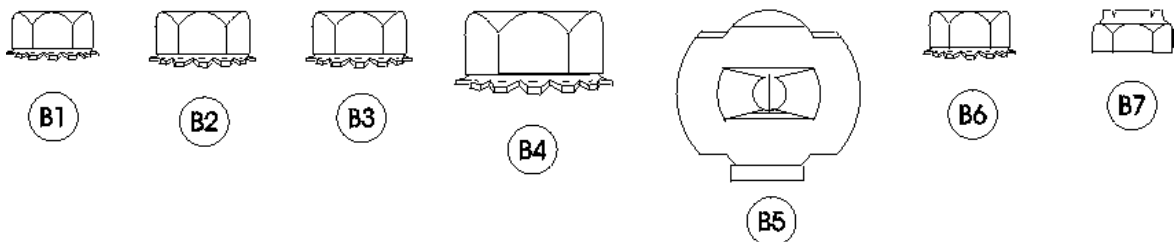
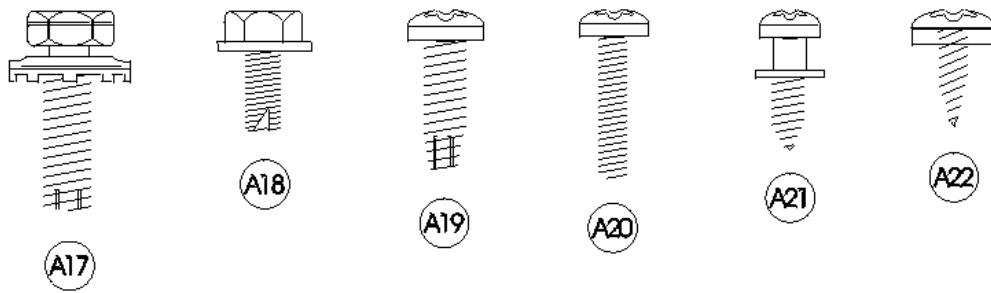
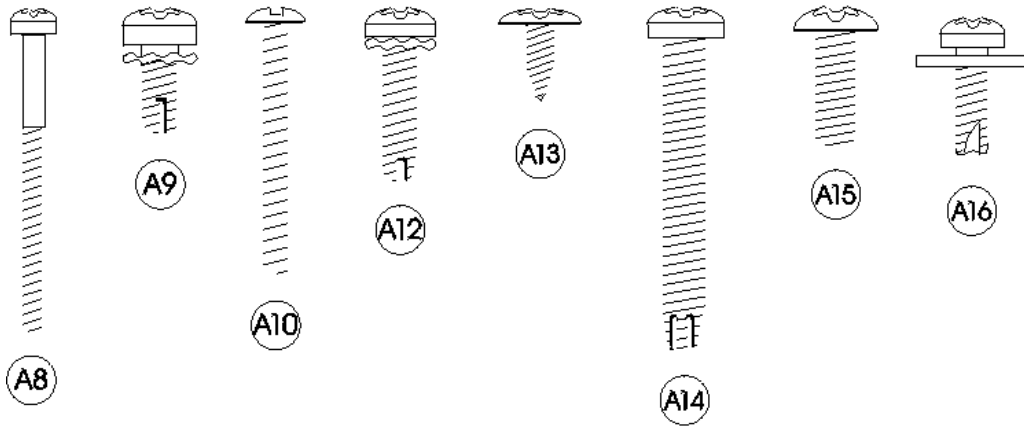
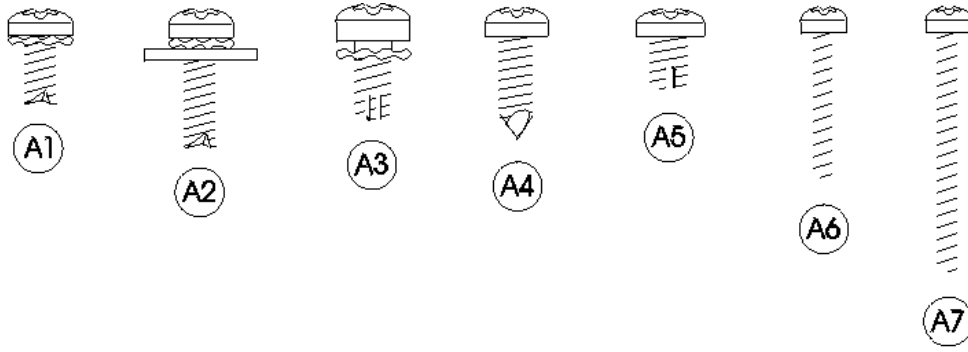
ITEM	DESCRIPTION	DNCB 600E 79" Wide	DNCB 501E 72" Wide	DNCB 276E 72" Narrow
H2	Tinnerman Clip, Fan Shroud		900,901,89x.x1	
H6	Tinnerman Clip		900,902,18x.x1	
H8	Grommet, Admiral #B53351		901,806,77x.x1	
H9	Silencer		902,100,29x.x1	
I11	Clamp, Nylon 3/4" Heyco 3382BL		901,900,55x.x1	
I12	Cable Tie, 5 1/2"		901,902,83x.x1	



ELECTRONIC COMPONENTS / MISC. LABELS

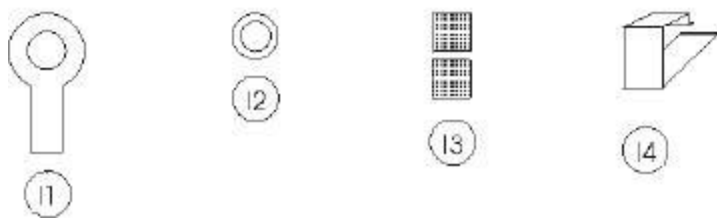
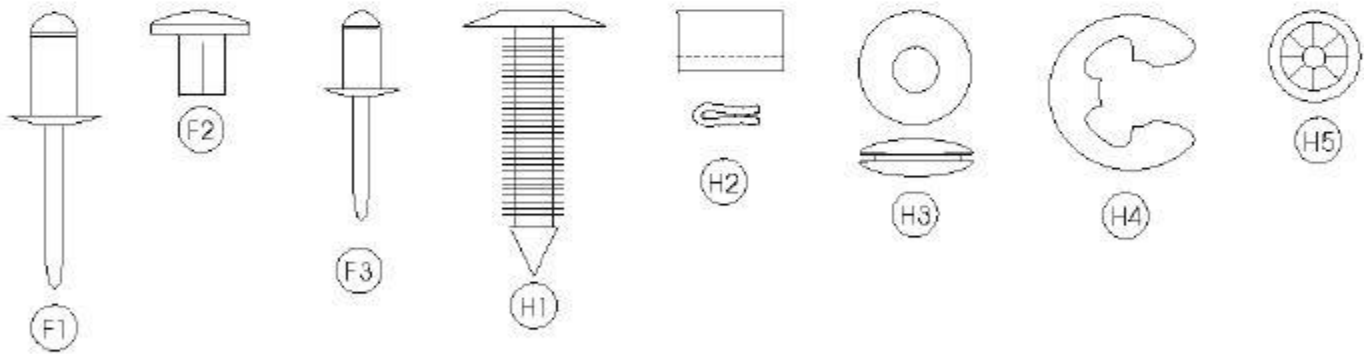
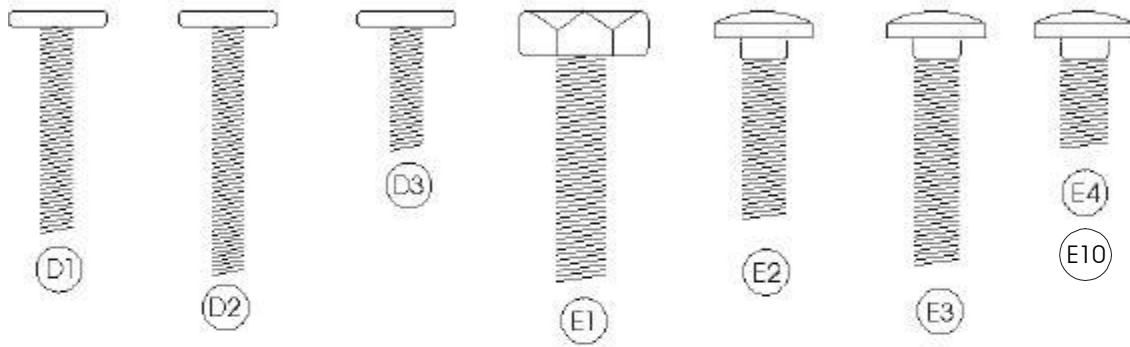
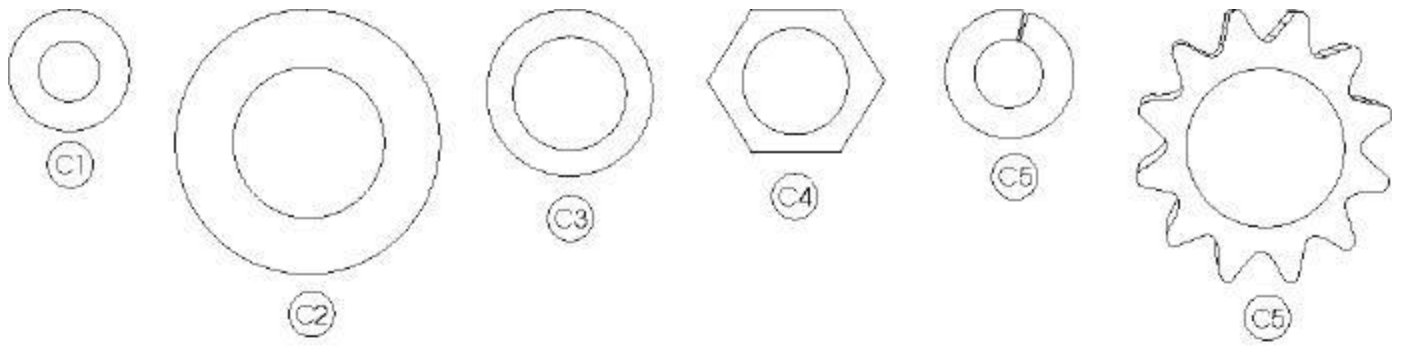
ITEM	DESCRIPTION	DNCB 600E 79" Wide	DNCB 501E 72" Wide	DNCB 276E 72" Narrow
1	Control Board			
	S3D	804,915,10x.x1	804,915,10x.x1	804,915,10x.x1
	SIID	804,911,83x.x1	804,911,83x.x1	804,911,83x.x1
2	Display Board Assy.			
		804,914,11x.x1	804,914,11x.x1	804,914,11x.x1
3	SIID Control Board Curtain			
		801,903,38x.x1	801,903,38x.x1	801,903,38x.x1
4	Door Switch			
		804,100,77x.x1	804,100,77x.x1	804,100,77x.x1
5	Controller Software (Eprom)			
	SIID	804,911,390.51-B	804,911,390.51-B	804,911,390.51-B
	SIID / S3D EVS 2.2	804,911,390.81-A	804,911,390.81-A	804,911,390.81-A
6	Transformer			
		804,909,80x.x1	804,909,80x.x1	804,909,80x.x1
7	Fuses			
	1.6 Amp Slow Blow Fuse	804,800,71x.x1	804,800,71x.x1	804,800,71x.x1
	6 Amp Fast Acting Fuse	804,901,93x.x1	804,901,93x.x1	804,901,93x.x1
	1 Amp Slow Blow Fuse (SIID Only)	804,800,72x.x1	804,800,72x.x1	804,800,72x.x1
8	Display Segment Character			
	14 Segment	804,912,79x.x1	804,912,79x.x1	804,912,79x.x1
9	Wiring Diagram			
	SIID-9/9	803,855,73x.x1	803,855,73x.x1	NA
	S3D-9/9	803,857,63x.x1	803,857,63x.x1	NA
	S3D-13/9 with Sold-Out Lights	803,854,41x.x1	803,854,41x.x1	NA
	S3D-13/9 without Sold-Out Lights	803,854,39x.x1	803,854,39x.x1	NA
	S3D-9/9 without Sold-Out Lights	803,856,34x.x1	803,856,34x.x1	NA
	S3D-9/9 with Sold-Out Lights	803,856,35x.x1	803,856,35x.x1	NA
	S3D-9/7 without Sold-Out Lights	NA	NA	803,856,36x.x1
	S3D-9/7 with Sold-Out Lights	NA	NA	803,856,37x.x1
	S3D-12/9 without Sold-Out Lights	803,858,08x.x1	803,858,08x.x1	NA
	S3D-12/9 with Sold-Out Lights	803,858,09x.x1	803,858,09x.x1	NA
10	Labels			
	Press Selection to Display Price	903,835,15x.x1	903,835,15x.x1	903,835,15x.x1
	Press Selection to Display Price or Sold-Out	803,902,55x.x1	803,902,55x.x1	803,902,55x.x1
	4-Button Programming Space-to-Sales Options	803,849,04x.x1	803,849,04x.x1	803,849,04x.x1
	Price	903,828,82x.x1	903,828,82x.x1	903,828,82x.x1
	Coin Mech	903,901,30x.x1	903,901,30x.x1	903,901,30x.x1
	4 Button Programming	903,854,06x.x1	903,854,06x.x1	903,854,06x.x1
	Warning: Do Not Tilt	803,843,64x.x1	803,843,64x.x1	803,843,64x.x1
	134A Removable Substance	903,833,54x.x1	903,833,54x.x1	903,833,54x.x1
	Money Removed Daily	903,805,70x.x1	903,805,70x.x1	903,805,70x.x1
	Coke Validator Opening Instructions (Domestic)	803,822,94x.x1	803,822,94x.x1	803,822,94x.x1
	Power Disconnect	803,835,98x.x1	803,835,98x.x1	803,835,98x.x1
	Loading Instructions	903,837,07x.x1	903,837,07x.x1	903,837,07x.x1
	Package Set-Up Guide Domestic Coke	803,858,64x.x1	803,858,64x.x1	803,858,64x.x1

ITEM	DESCRIPTION	DNCB 600E 79" Wide	DNCB 501E 72" Wide	DNCB 276E 72" Narrow
10	Gate - Caution	803,855,82x.x1	803,855,82x.x1	803,855,82x.x1
	Power Supply Cord Label	803,834,65x.x1	803,834,65x.x1	803,834,65x.x1
	Skid Removal	903,828,70x.x1	903,828,70x.x1	903,828,70x.x1
	S3D Caution / Fuse Label	803,857,06x.x1	803,857,06x.x1	803,857,06x.x1
	Coke Product Label	803,843,43x.x1	803,843,43x.x1	803,843,43x.x1
	Price Label	803,843,44x.x1	803,843,44x.x1	803,843,44x.x1
	Non SII Price Label VRV	803,836,16x.x1	803,836,16x.x1	803,836,16x.x1
	Coin Mechanism	903,901,29x.x1	903,901,29x.x1	903,901,29x.x1
	SIID Control Box Warning Label	803,848,28x.x1	803,848,28x.x1	803,848,28x.x1
	4 Button Programming	903,054,06x.x1	903,054,06x.x1	903,054,06x.x1
	Coke EVS Revision 2.2 - Landscape Programming	803,854,75x.x1	803,854,75x.x1	803,854,75x.x1
	Coke EVS Revision 2.2 - 13/9 Marketing Machine Programming	803,854,76x.x1	803,854,76x.x1	NA
	Coke EVS Revision 2.2 - 9/9 Marketing Machine Programming	803,854,77x.x1	803,854,77x.x1	NA
	Coke EVS Revision 2.2 - 9/7 Marketing Machine Programming	NA	NA	803,856,29x.x1
	Coke EVS Revision 2.2 - Select Button Layout Label - 9 Select	803,854,94x.x1	803,854,94x.x1	803,854,94x.x1
	Coke EVS Revision 2.2 - Select Button Layout Label - 13 Select	803,856,14x.x1	803,856,14x.x1	NA
	Export Setup Label (exclude Canada & CCSB)	803,857,93x.x1	803,857,93x.x1	803,857,93x.x1
	Coke EVS Revision 2.2 (use with 390.91 and up) domestic	803,857,71x.x1	803,857,71x.x1	803,857,71x.x1
	Program Label – French Canadian 2.2	803,857,53x.x1	803,857,53x.x1	803,857,53x.x1
	Layout Label, 13 Select Button	803,856,14x.x1	803,856,14x.x1	NA
Layout Label, 9 Select Button	803,854,94x.x1	803,854,94x.x1	803,854,94x.x1	
Bill Validator Chart Label	803,858,11x.x1	803,858,11x.x1	803,858,11x.x1	
11	Installation Set-Up Guide			
		903,901,60x.x1	903,901,60x.x1	903,901,60x.x1
12	Snap In Counter 24 VDC S3D Only			
		804,914,64x.x1	804,914,64x.x1	804,914,64x.x1
13	Override Switch Kit			
		804,914,09x.x4	804,914,09x.x4	804,914,09x.x4



SCREWS & NUTS

ITEM	PART NUMBER	PART NAME AND DESCRIPTION
A1	900,301,70x.x1	Screw, Phil Pan Swage Form #6 - 32 x 3/8"
A2	900,301,64x.x1	Screw, Phil Pan Swage Form w/washer #8 - 32 x 1/2"
A3	900,301,83x.x1	Screw, Phil Pan Swage Form #10 - 32 x 5/16"
A4	900,301,50x.x1	Screw, Phil Pan w/out washer, #8 - 18 x 1/2"
A5	900,301,97x.x1	Screw, Phil Pan Swage Form #8 - 32 x 1/4"
A6	900,300,47x.x1	Screw, Vend Motor, #4-24 x 3/4" Single Switch
A7	900,301,82x.x1	Screw, Vend Motor, #4-24 x 1 1/16" Double Switch
A8	900,301,61x.x1	Screw, Vend Motor, #4-24 x 1 1/2" Triple Switch
A9	900,301,56x.x1	Screw, Phil Pan Cutting #8 - 32 x 3/8"
A10	900,201,31x.x1	Screw, Machine, #6 - 32 x 1 1/4"
A11	900,301,97x.x1	Screw, Phil Pan Sems #8 - 32 x 1/4"
A12	900,301,85x.x1	Screw, Phil Thread Form #8 - 32 x 5/8"
A13	900,300,16x.x1	Screw, Phil Head Truss #6 x 3/8"
A14	900,301,81x.x1	Screw, Phil Pan Form #10 - 32 x 1 1/4"
A15	900,201,14x.x1	Screw, Machine Truss, #10 - 32 x 1/2"
A16	900,301,65x.x1	Screw, Phil Pan Sems with washer, #8 - 18 x 1/2"
A17	900,302,01x.x1	Screw, Self Tapping, 1/4 - 20 x 5/8"
A18	900,301,69x.x1	Screw, Hex Head Swage Form #8 - 36 x 3/8"
A19	900,901,51x.x1	Screw, Phil Pan Tapping #10 - 32 x 5/8"
A20	900,201,22x.x1	Screw, Machine Phil Pan #8 - 32 x 3/4"
A21	900,301,98x.x1	Screw, Phil Pan Shoulder #8 - 18 x 1/2"
A22	900,301,84x.x1	Screw, Phil Pan #8-18x1/2"
A23	900,500,26x.x1	Shoulder Screw 1/2" Long
A24	900,201,13x.x1	Screw, Hex Head
A25	900,301,73x.x1	Screw, Tap 1/4-20x1" Type F
A26	800,303,15x.x1	Screw, Phil Pan #8-18x3/4"
A27	800,303,18x.x1	Screw, Truss Type 23 #8-32x1/2
A28	900,301,94x.x1	Screw, Phil Flat 23B #10-32x1/2"
A29	900,201,44x.x1	Screw, Machine Brass #6-32x1/4"
A30	900,301,99x.x1	Screw, Plastic 8-hi/low x 1 1/4
A31	900,301,55x.x1	Screw, Phil Pan Swage Form #8-32x1/2"
A32	900,303,08x.x1	Screw, Hex Washer Type 1 #8-32x3/8"
A34	800,303,22x.x1	Screw, Phil Pan #6-20x3/8
A35	900,302,02x.x1	Screw, Self Tapping, #8-18x3/4
A36	900,201,86x.x1	Screw, Phil Pan Head #6-32x1/4"
B1	900,800,65x.x1	Keps Nut, #10 - 32
B2	900,800,67x.x1	Keps Nut, 1/4 - 20
B3	900,800,50x.x1	Keps Nut, #8 - 32
B4	900,800,69x.x1	Keps Nut, Top Door Hinge, 3/8 - 16
B5	900,800,85x.x1	Speed Nut
B6	900,800,49x.x1	Keps Nut, #6 - 32
B7	900,800,51x.x1	Elastic Stop Nut, #8 - 32
B8	900,800,81x.x1	Hex Nut 8-32
B9	900,902,37x.x1	Push Nut, Acorn Type
B10	900,801,02x.x1	Hex Nut 5/16-18



WASHERS, BOLTS, & MISC. HARDWARE

ITEM	PART NUMBER	PART NAME AND DESCRIPTION
C1	900,700,60x.x1	Washer, Delrin .040 Thick 3/8"IDx5/8"OD
C2	901,303,77x.x1	Washer, Door Hinge
C3	All Styles	Washer, Flat #2949 (T-Handle)
C4	901,503,08x.x1	Washer, Hex #29-34 (T-Handle)
C5	900,700,36x.x1	Lockwasher, Split 3/8"
C6	900,700,89x.x1	Lockwasher, Shakeproof 5/8" (1132-00-00-0551)
C7	900,700,02x.x1	Steel Washer, 18 Gauge (1/2"x3/16")
C8	900,700,62x.x1	Washer, Shakeproof (4610-16-01-0551)
C9	900,700,12x.x1	Washer, Flat .030 thick (.188"IDx.5"OD)
C10	900,700,83x.x1	Washer, Flat 18 Gauge (17/64"IDx5/8"OD)
C11	900,700,08x.x1	Washer, Flat 14 Gauge (5/16"-3/8"x7/8")
C12	801,902,48x.x1	Nylon Spacer
D1	900,400,43x.x1	T-Bolt, #8 - 32 x 1" (obsolete)
D2	900,400,41x.x1	T-Bolt, #8 - 32 x 1 3/8"
D3	900,400,35x.x1	T-Bolt, #8 - 32 x 3/4"
D4	900,400,45x.x1	T-Bolt, #8 - 32 x 1/2"
E1	900,400,44x.x1	Refrigeration Bolt, 3/8 - 16 x 1"
E2	900,201,17x.x1	Carriage Bolt, 1/4 - 20 x 1"
E3	900,201,23x.x1	Carriage Bolt, 1/4 - 20 x 1 1/4"
E4	900,201,45x.x1	Carriage Bolt, 1/4 - 20 x 1/2"
E5	900,201,54x.x1	Carriage Bolt, 1/4 - 20 x 3/8"
E6	900,201,56x.x1	Carriage Bolt, 1/4 - 20 x 3/4"
E7	900,303,12x.x1	Carriage Bolt, 1/4-20x5/8" (obsolete)
E8	900,201,85x.x1	Carriage Bolt, 5/16x18x1 1/4" Top Hinge (drop in)
E9	800,303,19x.x1	Carriage Bolt, 1/4-20x5/8"
E10	900,202,04x.x1	Carriage Bolt 1/4x20x1/2 (Red)
F1	901,100,43x.x1	Pop Rivet, Aluminum 1/4"
F2	901,100,44x.x1	Drive Rivet, #38-108-06-13 1/4" dia.
F4	901,100,54x.x1	Pop Rivet, Black 1/8"
F5	901,100,61x.x1	Pop Rivet, Steel (Zinc Plated) 1/8"
F6	901,100,53x.x1	Pop Rivet, Aluminum 1/8"
F7	901,100,60x.x1	Pop Rivet, Steel (Zinc Plated) 3/16"
H1	900,902,13x.x1	Christmas Tree Clip #354280307-00
H2	900,901,89x.x1	Tinnerman Clip, Fan Shroud (C5207-014-3B)
H3	900,401,09x.x1	Grommet, Bk. Rubber #97
H4	901,503,07x.x1	E-Ring #31-30
H5	900,900,90x.x1	Retainer, Roller Pin
H6	900,902,18x.x1	Tinnerman Clip
H7	801,807,01x.x1	Hole Plug, Snap in - 1 1/4
H8	901,806,77x.x1	Grommet, Admiral #B53351
H9	902,100,29x.x1	Silencer
I1	804,601,45x.x1	#6 Terminal Ring Crimp 16-14 AWG
I2	801,902,48x.x1	Nylon Spacer used on Coke D/O Boards
I3	801,809,12x.x1	Velcro Blocks

ITEM	PART NUMBER	PART NAME AND DESCRIPTION
I4	801,807,49x.x1	Vender Defender Clamp
I5	901,901,89x.x1	Clamp, Cable 1" Heyco 3390
I6	900,901,79x.x1	Clamp, Nylon 5/16" Black Heyco 3355 or Dennison 10159
I7	900,901,80x.x1	Clamp, Nylon 1/2" Heyco 3328
I8	901,901,06x.x1	Hand Tie, 5.5"
I9	901,902,01x.x1	Wire Tie, 7 1/2"
I10	901,901,00x.x1	Wire Ties, 4"
I11	901,900,55x.x1	Clamp, Nylon 3/4" Heyco 3382BL
I12	901,902,83x.x1	Cable Tie, 5.5"
I13	900,902,14x.x1	Canoe Clip #254-090-301-00-0108