

# COKE VRV EXCLUSIVE PARTS LIST



©1993 The Coca-Cola Company, "Coca-Cola", "Coke", "diet Coca-Cola", "diet Coke" and the Dynamic Ribbon device are trademarks of The Coca-Cola Company.

# COKE - LANDSCAPE VRV DESIGN

This exclusive parts list pertains to Dixie-Narco Landscape VRV Venders. The main door and its parts are the only thing different between VRV and Non-VRV Machines. Please note, when ordering all parts, it is very important to be specific on the part number, model number and serial number of the vender. All of this information can be found on the serial plate. Please refer to the Coke Non-VRV Parts Manual for parts inside or on the cabinet. Also note, we have a specific lettering system at the end of the serial number which indicates the quarter and the year in which the vender was manufactured.

The lettering system started in the year 1976 with the letter A. Quarters are dated on a calendar basis and indicated by the first letter:

A = First Quarter      C = Third Quarter  
B = Second Quarter    D = Fourth Quarter

Years are dated and indicated by the second letter:

R = Year 1993      U = Year 1996  
S = Year 1994      V = Year 1997  
T = Year 1995      W = Year 1998

For Example:

Part Number - 572,050,400.03

Model Number - DNCB440CC/252-7 VRV

Serial Number - 0280-6123BR

*Quarter*  
*(Second Quarter)*

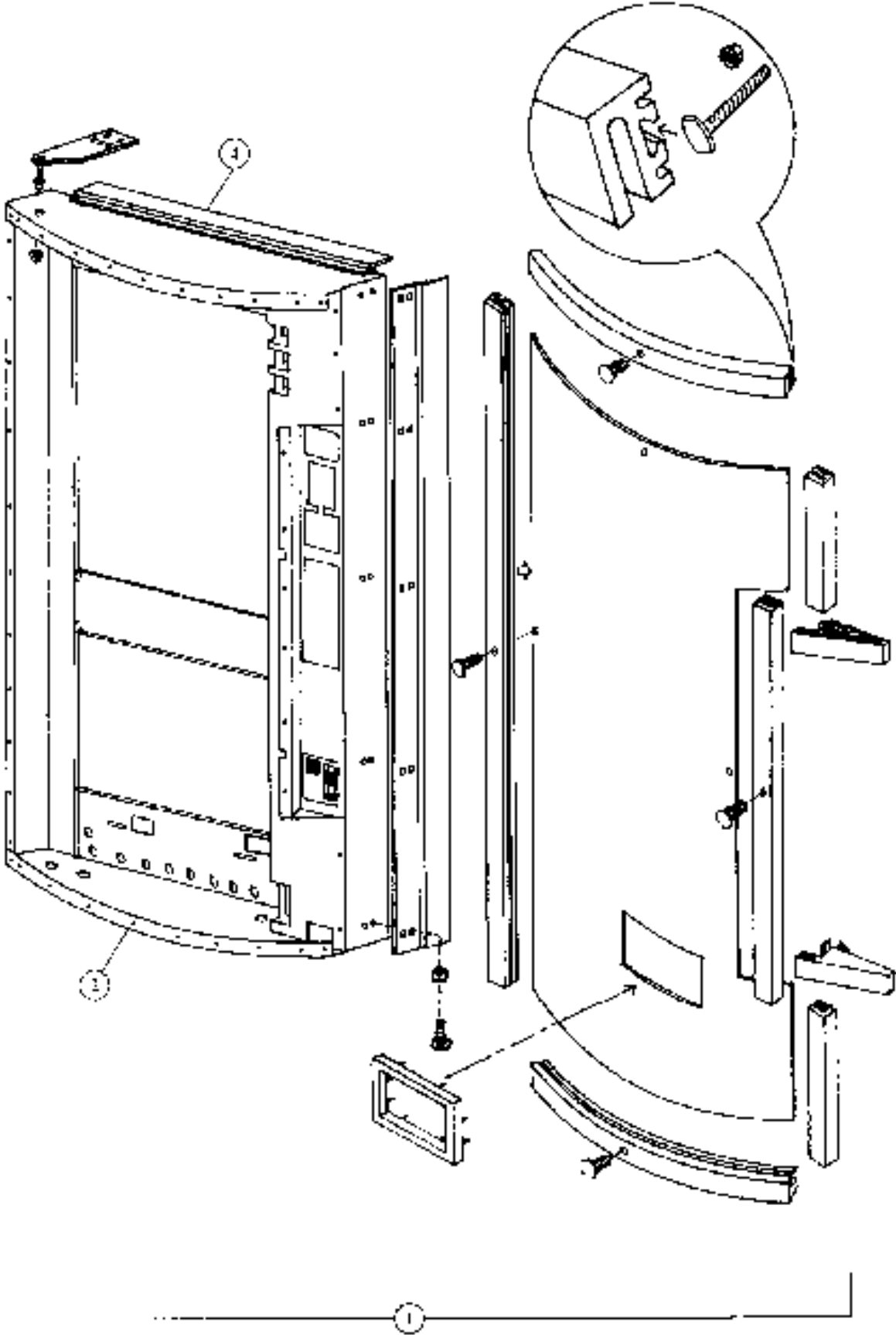
*Year*  
*(1993)*

**Williston Built Venders Beginning  
0001-6123BR  
First Produced April, 1993**



Dixie-Narco Boulevard, Drawer 719, Williston, SC 29853  
1-800-688-9090 or (803) 266-5000; FAX: (803) 266-5150

# MAIN DOOR - EXTERIOR - COKE (LANDSCAPE)



**1** MAIN DOOR ASSEMBLIES

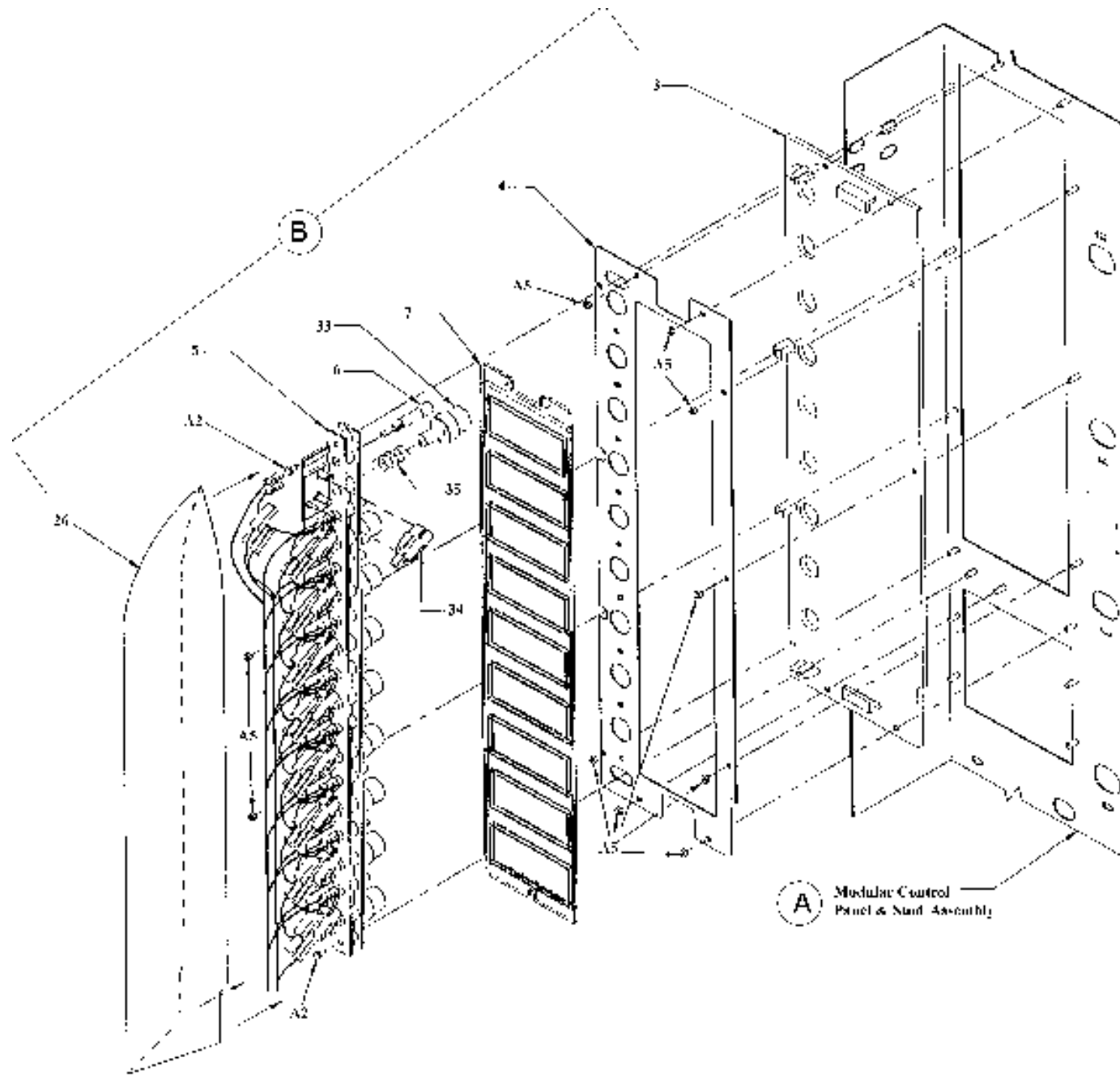
(Are backward compatible)

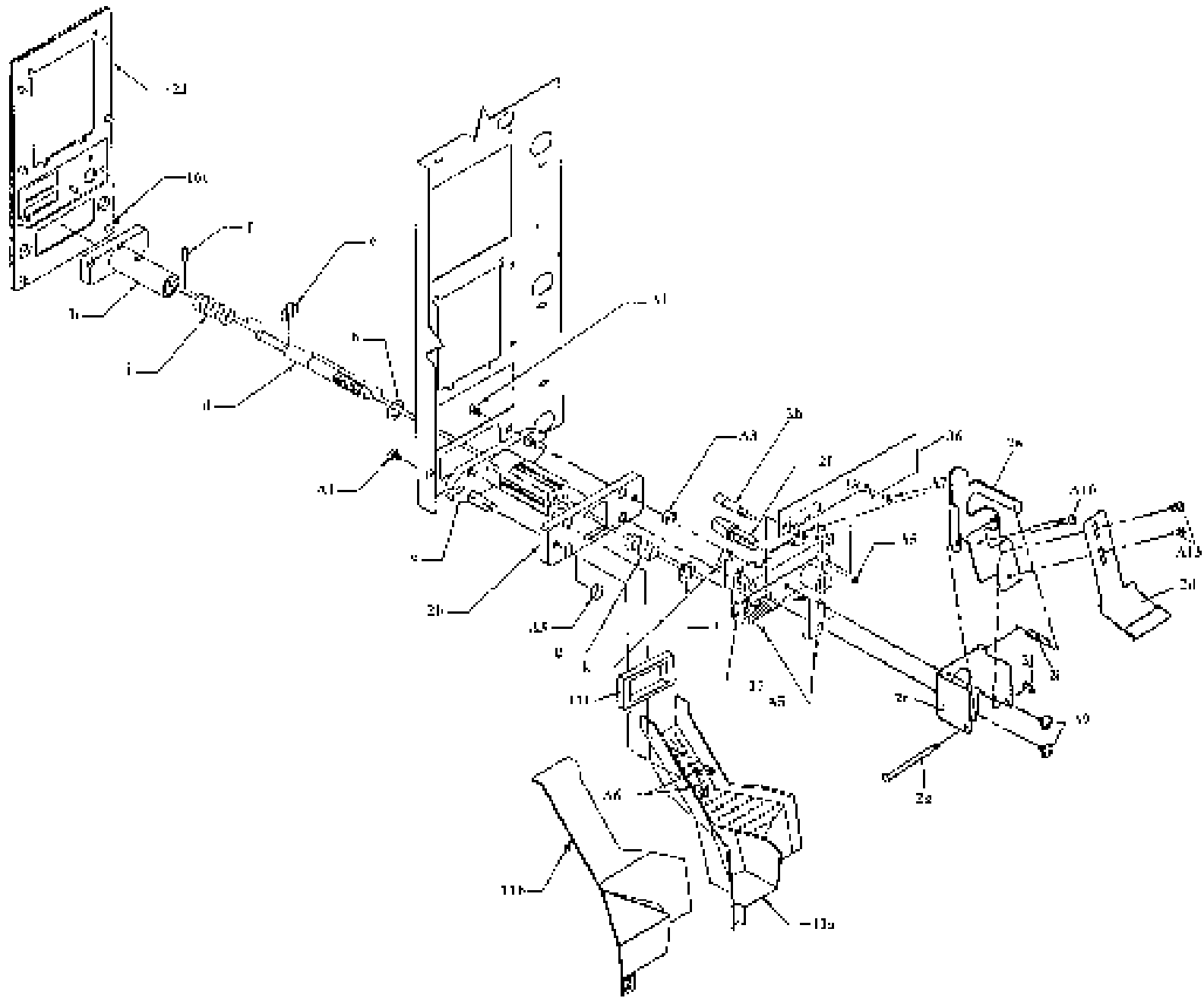
	<b>SINGLE PRICE</b>	<b>SII</b>	<b>SIID</b>
180-5 VRV	566,050,000.03	566,050,600.03	566,050,700.03
276-6 VRV	567,050,000.03	567,050,300.03	567,050,700.03
300-5 VRV	568,050,000.03	not available at print	568,050,200.03
348-9 VRV	571,050,000.03	571,050,100.03	571,050,300.03
522/360-6 VRV	569,050,000.03	578,050,300.03	578,050,500.03
501/368-7 VRV	570,050,000.03	570,050,600.03	570,051,100.03
501/368-8 VRV	570,050,200.03	570,050,700.03	570,051,300.03
414-9 VRV	573,050,000.03	573,050,200.03	573,050,500.03
432-6 VRV	574,050,000.03	582,050,000.03	582,050,200.03
440/600-7 VRV	572,050,400.03	570,050,500.03	572,055,100.03
440/600-8 VRV	572,051,700.03	572,051,900.03	572,053,300.03

**2** MAIN DOOR W/A'S

(Are not backward compatible)

	<b>SINGLE PRICE</b>	<b>SII</b>	<b>SIID</b>
180-5 VRV	566,050,300.03	566,050,300.03	566,050,300.03
276-6 VRV	567,050,200.03	567,050,200.03	567,050,200.03
300-5 VRV	567,050,200.03	567,050,200.03	567,050,200.03
348-9 VRV	570,050,100.03	570,050,100.03	570,050,100.03
360/522-6 VRV	570,050,100.03	570,050,100.03	570,050,100.03
368/501-7 VRV	570,050,100.03	570,050,100.03	570,050,100.03
368/501-8 VRV	570,050,100.03	570,050,100.03	570,050,100.03
414-9 VRV	573,050,100.03	573,050,100.03	573,050,100.03
432-6 VRV	573,050,100.03	573,050,100.03	573,050,100.03
440/600-7 VRV	573,050,100.03	573,050,100.03	573,050,100.03
440/600-8 VRV	573,050,100.03	573,050,100.03	573,050,100.03





**A MODULAR CONTROL PANEL & STUD ASSEMBLIES**

(Metal panel with studs)

	<b>SINGLE PRICE</b>	<b>SII</b>	<b>SIID</b>
5 Select VRV	567,050,400.13	567,050,400.13	567,050,400.13
6 Select VRV	567,050,500.03	567,050,500.03	567,050,500.13
7 Select VRV	575,050,000.03	575,050,000.03	575,050,000.13
8 Select VRV	575,050,100.03	575,050,100.03	575,050,100.03
9 Select VRV	573,050,300.03	573,050,300.03	573,050,300.13

**B SELECT PANEL ASSEMBLIES**

(Includes: select panel lens, lens frame mount, switch bar, push button spring buttons, switches, sold-out lights, & flavor card carrier)

	<b>SINGLE PRICE</b>	<b>SII</b>	<b>SIID</b>
5 Select VRV	566,050,200.03	495,051,100.03	495,051,400.03
6 Select VRV	572,071,000.03	572,052,700.03	572,053,400.03
7 Select VRV	572,050,500.03	572,052,200.03	572,053,700.03
8 Select VRV	572,050,900.03	572,053,000.03	572,053,500.03
9 Select VRV	572,051,100.03	572,052,000.03	572,053,600.03

## Coke VRV Exclusive Parts List

ITEM #	DESCRIPTION	SINGLE PRICE	SII	SIID
1	Coin Insert Assy. Kit VRV Coke (Domestic) (Includes: Mounting geometry, label, coin return sub assembly, coin insert plate and stud assembly)	572,010,800.04	572,010,900.04	572,010,900.04
2	Assy, Sub Coin Return VRV SII CC (Includes: T-handle assy, coin return bracket, plunger, & rocker)	572,050,600.73	572,052,100.33	572,052,100.33
2a	Assy, Flush Mount Tee Handle	801,508,200.11	801,508,200.11	801,508,200.11
b	T-Handle, Flush Mount	801,508,150.01	801,508,150.01	801,508,150.01
c	Body, Flush Mount Lock	801,508,160.01	801,508,160.01	801,508,160.01
d	Stud, Flush Mount Lock	801,508,190.01	801,508,190.01	801,508,190.01
e	External Retaining Ring	801,507,340.01	801,507,340.01	801,507,340.01
f	Cross Pin	901,503,090.11	901,503,090.11	901,503,090.11
g	Spring	901,503,050.01	901,503,050.01	901,503,050.01
h	Hex Washer	901,503,080.11	901,503,080.11	901,503,080.11
i	Flat Washer	901,503,060.01	901,503,060.01	901,503,060.01
j	Spring, Flush Mount T-Handle	901,508,180.01	901,508,180.01	901,508,180.01
2b	Retainer, High Security Flange (Back up plate)	572,000,010.13	572,000,010.13	572,000,010.13
2c	Coin Return Bracket VRV	572,050,240.13	572,050,240.13	572,050,240.13
2d	Coin Return Plunger	572,050,230.03	572,050,230.03	572,050,230.03
2e	Coin Return Rocker	572,050,220.23	572,050,220.23	572,050,220.23
2f	Push Button, Coin Return	801,807,250.41	801,807,250.41	801,807,250.41
2g	Coin Return Rocker Pin (Service)	900,502,810.01	900,502,810.01	900,502,810.01
2h	Use Correct Change Lamp, 125 VAC - CC VRV	804,700,540.21	Not Applicable	Not Applicable
2i	Extension Spring	901,700,630.31	901,700,630.31	901,700,630.31
2j	Coin Return Pin Retainer Ring (Service)	900,902,310.01	900,902,310.01	900,902,310.01
3	Lens-Select Panel CC	801,807,180.21	801,807,180.21	801,807,180.21
4	Mount Frame, Lens CC	572,000,020.13	572,000,020.13	572,000,020.13
5	Switch Bar, CC (used on all VRV)	801,807,190.41	801,807,190.41	801,807,190.41
6	Use Correct Change Light (2 VDC SII)	804,700,550.21	804,700,550.21	Not Applicable
7	W/A Flavor Card Carrier VRV (all plastic-sonic welded)	801,807,300.11	801,807,300.11	801,807,300.11
8	Assy, Validator Filler Plate VRV (does not include decal)	572,051,300.13	572,051,300.13	572,051,300.13
9	Assy, USA Validator Mounting Plate VRV (does not include decal)	572,051,500.03	572,051,500.03	572,051,500.03
10	Assy, Mars Validator Mounting Plate VRV (does not include decal)	572,051,400.03	572,051,400.03	572,051,400.03
11	Vender Defender Kit	491,540,700.23	491,540,700.23	491,540,700.23
11a	Vender Defender Bottom and Screen	801,807,470.11	801,807,470.11	801,807,470.11
11b	Vender Defender, Top Cover	801,807,480.11	801,807,480.11	801,807,480.11
11c	Vender Defender, Clip	801,807,490.01	801,807,490.01	801,807,490.01
11d	Vender Defender, Drain Hose	801,807,500.01	801,807,500.01	801,807,500.01
11e	Vender Defender, Instruction Package	801,807,510.01	801,807,510.01	801,807,510.01
11f	Vender Defender Gasket	801,808,110.01	801,808,110.01	801,808,110.01
12	Mounting Bracket, Changer Socket VRV	572,050,090.43	572,050,090.43	572,050,090.43
13	Reinforcement Plate, Top Hinge	801,303,890.31	801,303,890.31	801,303,890.31
14	Liquid Guard VRV (metal-covers sequencer, relay & changer socket)	572,050,160.13	Not Applicable	Not Applicable
15	Retainer, CC Pos Window VRV (backwards compatible)	572,050,050.03	572,050,050.03	572,050,050.03
16	Assy, Lock Security Parts & Instruction Bag	572,052,500.04	572,052,500.04	572,052,500.04
16a	Envelope-Parts/Instruction	905,406,890.11	905,406,890.11	905,406,890.11
16b	Allen Key, 1/16" Hex	801,101,150.01	801,101,150.01	801,101,150.01
16c	Set Screw	901,508,170.11	901,508,170.11	901,508,170.11
17	Coin Insert Mounting Geometry Domestic (red)	801,807,200.61	801,807,220.61	801,807,220.61
18	7 Select Single Price Door Harness VRV CC	804,906,700.31	Not Applicable	Not Applicable



## Coke VRV Exclusive Parts List

ITEM #	DESCRIPTION	SINGLE PRICE	SII	SIID
19	9 Select Single Price Door Harness VRV CC	804,906,720.11	Not Applicable	Not Applicable
20	8 Select Single Price Door Harness VRV CC	804,906,730.21	Not Applicable	Not Applicable
21	6 Select Single Price Door Harness VRV CC	804,906,740.31	Not Applicable	Not Applicable
22	5 Select Single Price Door Harness VRV CC	804,906,750.21	Not Applicable	Not Applicable
23	Assy, Coin Insert Plate and Stud (does not include decal)	572,050,000.23	572,050,100.23	572,050,100.23
24	Coin Insert Decal	803,835,070.31	803,835,080.41	803,835,080.41
25	Protective Plate Door 180 VRV (not backward compatible)	566,050,030.03	566,050,030.03	566,050,030.03
26	Cover, Switch Bar (clear plastic over switches)	902,001,150.21	902,001,150.21	902,001,150.21
27	Rain Diverter Shelf - USA	801,902,240.21	801,902,240.21	801,902,240.21
28	VRV Lockcover Kit (Coke)	572,010,100.14	572,010,100.14	572,010,100.14
28a	W/A Lockcover Coke VRV	572,010,000.23	572,010,000.23	572,010,000.23
28b	Carriage Bolts 1/4-20x3/8" (2)	900,201,540.01	900,201,540.01	900,201,540.01
28c	1/4-20 Keps Nut (4)	900,800,670.01	900,800,670.01	900,800,670.01
29	Bill Validator Door 440/600 Honor Gard VRV	572,050,150.33	572,050,150.33	572,050,150.33
30	Bill Validator Door VRV	572,050,170.33	572,050,170.33	572,050,170.33
31	Cash Box Door 180 VRV	572,050,180.03	572,050,180.03	572,050,180.03
32	Coin Return Cup Retainer	572,050,080.23	572,050,080.23	572,050,080.23
33	Select Button	801,805,710.31	801,805,710.31	801,805,710.31
34	Select Switch	804,100,710.01	804,100,740.01	804,100,740.01
35	Spring, Select Button	901,700,720.11	901,700,720.11	901,700,720.11
36	S/A Display Board Coke VRV	Not Applicable	804,907,010.51	804,909,450.01
37a	Control Box Assembly (domestic)	Not Applicable	804,909,690.01	804,909,440.01
37b	Coke Control Box Assembly	Not Applicable	Not Applicable	804,910,650.01
38	Vend Motor Switch	804,100,690.01	804,100,730.01	804,100,730.01
39a	Vend Motor Assembly Brown Cam T Narrow	497,070,900.03	565,070,100.03	565,070,100.03
39b	Vend Motor Assembly Brown Std. Narrow	491,070,400.03	572,070,000.03	572,070,000.03
40a	Vend Motor Assembly Green Cam T Wide	497,070,800.03	565,070,200.03	565,070,200.03
40b	Vend Motor Assembly 20 oz. Cam T Wide	497,270,100.03	565,070,400.03	565,070,400.03
40c	Vend Motor Assembly Blue Cam Std. Wide	491,070,300.03	572,070,100.03	572,070,100.03
41	Door Switch	Not Applicable	804,100,770.21	804,100,770.21
42a	Program Label (2 button programming)	Not Applicable	903,835,120.21	803,842,850.01
42b	Coke Program Method Label (4 button programming)	Not Applicable	Not Applicable	903,854,060.01
43a	1.6 Amp Fuse (Slow Blow)	Not Applicable	804,800,710.01	804,800,710.01
43b	1 Amp Fuse (Slow Blow)	Not Applicable	804,800,720.01	804,800,720.01
44c	2.5 Amp Fuse (Slow Blow)	Not Applicable	804,800,730.01	Not Applicable
44d	4 Amp Fuse (Rapid Blow)	Not Applicable	804,908,080.01	804,908,080.01
44e	6 Amp Fuse (Fast Acting)	Not Applicable	Not Applicable	804,910,930.01
45	Price Label	Not Applicable	903,828,820.01	903,828,820.01
46	Motor Cover Guard	Not Applicable	801,807,730.01	801,807,730.01
47	Transformer	Not Applicable	Not Applicable	804,909,800.01
48	Trim, Vend Motor Cover	Not Applicable	801,807,850.01	801,807,850.01
49	Sold-Out Switch	804,100,680.01	804,100,750.11	804,100,750.11
50	Door Strap	453,050,140.03	572,050,130.63	572,050,130.63
A1	Carriage Bolt 1/4-20x3/4" (2 per C/R Sub Assy.)	900,201,560.01	900,201,560.01	900,201,560.01
A2	Self Tapping Screw for Plastic 1.25 (2 per Sel. Assy.)	900,301,990.31	900,301,990.31	900,301,990.31
A3	Keps Nut, 1/4-20	900,800,670.01	900,800,670.01	900,800,670.01
A4	Screw, Phil Pan w/washer #8-32x1/2"	900,301,640.21	900,301,640.21	900,301,640.21
A5	Keps Nut #8-32	900,800,500.01	900,800,500.01	900,800,500.01
A6	Screw, Sems #6-32x3/8"	900,301,700.11	900,301,700.11	900,301,700.11
A7	Self Tapping Screw #8-18x.75 (2 per SII Display Board)	900,302,020.11	900,302,020.11	900,302,020.11

<b>ITEM #</b>	<b>DESCRIPTION</b>	<b>SINGLE PRICE</b>	<b>SII</b>	<b>SIID</b>
A8	Screw, Phil Pan without Washer #8-18x1/2"	900,301,500.01	900,301,500.01	900,301,500.01
A9	Screw, Phil Pan Swage Form with Washer #8-18x1/2"	900,301,640.21	900,301,640.21	900,301,640.21
A10	Screw, Phil Pan Type F #10-32x11/8	900,303,070.01	900,303,070.01	900,303,070.01
A11	T-Bolt, #8-32x3/4	900,400,350.41	900,400,350.41	900,400,350.41
A12	Pop Rivet 1/8"	901,100,530.01	901,100,530.01	901,100,530.01
A13	Screw, Phil Pan Swage Form #8-32x3/8	900,301,560.01	900,301,560.01	900,301,560.01

**WIRING HARNESSES  
SII and SIID Only**

**Door Harness (From Select Panel to Control Board)**

		<b>SII</b>	<b>SIID</b>
1	5 Select VRV 180	Not Available at Print	804,909,130.01
2	6 Select VRV 376/360	804,906,880.11	804,909,140.01
3	7 Select VRV 368/440/501/600	804,906,860.11	804,909,150.01
4	8 Select VRV 368/440/501/600	804,907,720.01	804,909,160.01
5	9 Select VRV 348/414	804,906,870.11	804,909,170.01

**Cabinet Harness (From Sold Out Switches & Vend Motor Switches)**

		<b>SII</b>	<b>SIID</b>
1	Cabinet Harness 276/168	804,906,410.11	804,909,350.01
2	Cabinet Harness 300/180	804,907,030.11	804,909,330.01
3	Cabinet Harness 432/360	804,907,100.11	804,909,420.01
4	Cabinet Harness 348/414	804,906,390.11	804,909,370.11
5	Cabinet Harness 368/440	804,906,380.21	804,909,390.01
6	Cabinet Harness 501/600	804,906,370.21	804,909,410.01

**Motor Harness (From Coils of Vend Motors)**

		<b>SII</b>	<b>SIID</b>
1	Motor Harness 276	804,906,510.11	804,909,340.01
2	Motor Harness 300/180	804,907,170.01	804,909,320.01
3	Motor Harness 360/432	804,907,090.21	804,909,430.01
4	Motor Harness 348/414	804,906,480.11	804,909,360.01
5	Motor Harness 368/440	804,906,490.21	804,909,380.01
6	Motor Harness 501/600	804,906,500.11	804,909,400.01

## Miscellaneous Harnesses

		SII	SIID
1a	Price Display Harness (All)	804,906,650.41	804,909,770.01
1b	Extended Price Display Harness	804,908,130.01	804,909,500.01
2a	Motor Extension Harness (from board to door hinge area) 62"	804,907,880.21	804,909,310.01
2b	Motor Extension Harness (90")	804,906,340.11	804,909,290.01
3a	Cabinet Extension Harness (All) (from board to door hinge area) 62"	804,906,470.21	804,909,300.11
3b	Cabinet Extension Harness (90")	Not Applicable	804,909,280.01
4a	Coin Mech Harness MC 5000	804,906,620.01	804,909,710.01
4b	Extended Coin Mech Harness MC5000	804,908,110.01	804,909,510.01
5a	Coin Mech Harness Multidrop	804,906,660.11	804,909,780.01
5b	Extended Coin Mech Harness Multidrop	Not Applicable	804,909,530.01
6a	Low Level Note Acceptor Harness (USA & Mars)	804,906,640.31	804,909,720.01
6b	Extended Low Level Note Acceptor Harness (Dr. Pepper & 7Up) (USA & Mars)	804,908,120.01	804,909,540.01
7	SA Executive Coin Mech Harness	804,907,760.01	Not Applicable
8a	High Level Note Acceptor Harness for Mars	804,907,800.01	804,909,740.01
8b	High Level Note Acceptor Harness, Extended (Dr. Pepper & 7Up)	Not Applicable	804,909,520.01
9	High Level Note Acceptor Harness for Maka	804,907,710.01	804,909,760.01
10	Coin Mech Harness to Interface Maka	804,907,820.01	804,909,730.01
11	High Level Note Acceptor Harness for CBA-2 & UBA-2	804,907,790.01	804,909,750.01
12	BDV Coin Mech Harness (2x5928)	804,907,890.01	Not Applicable
13	High Level Note Acceptor Harness BA-30	Not Applicable	804,909,790.01
14	ACD Interface Cable (Greenwich Box)	Not Applicable	804,910,610.01
15	External DEX Harness (Service Only)	804,907,830.11	804,907,830.11
16a	DEX Interface Harness (9 Pin to PC)	804,910,080.01	804,910,080.01
16b	DEX Interface Harness (25 Pin to PC)	804,910,090.01	804,910,090.01