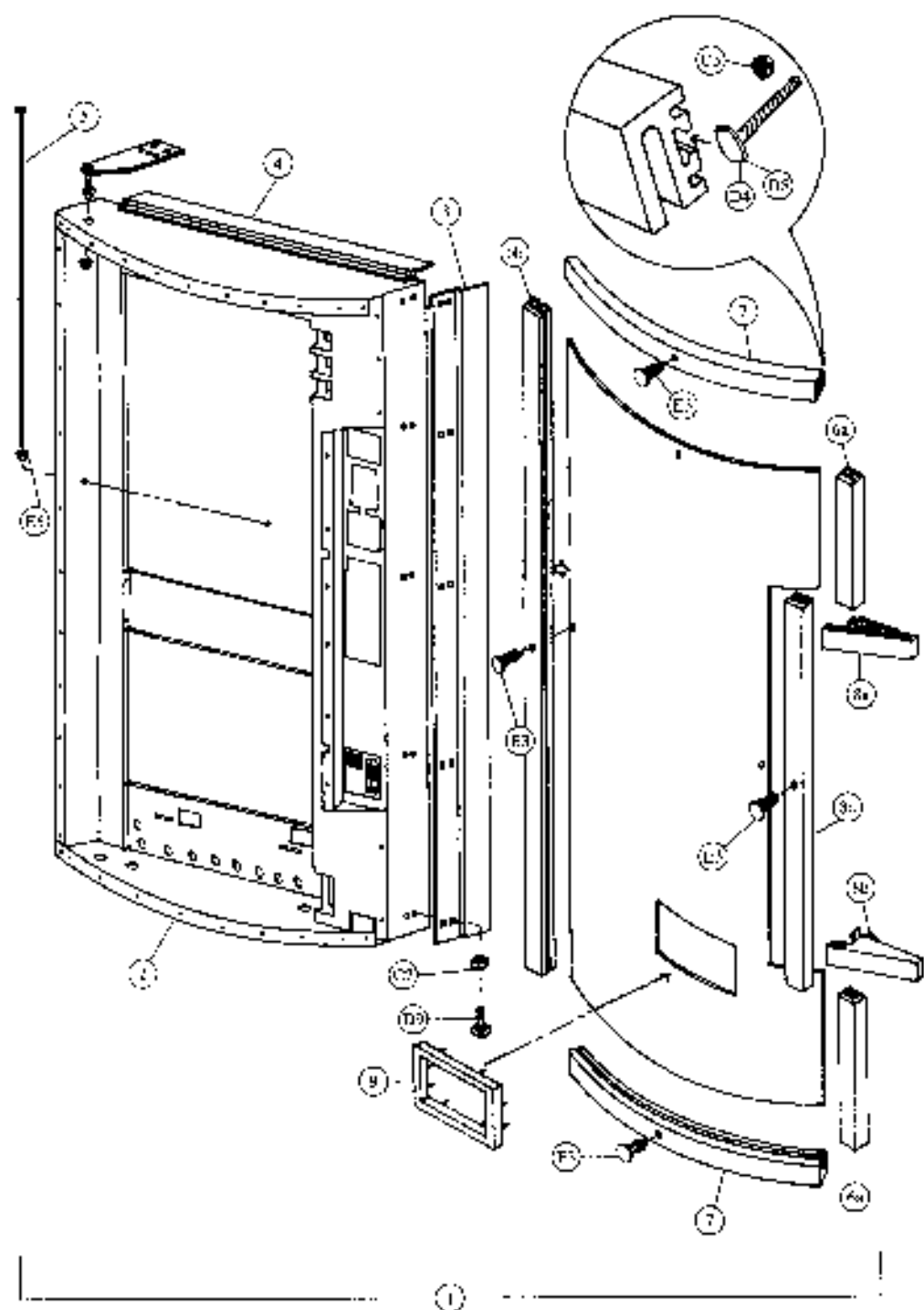




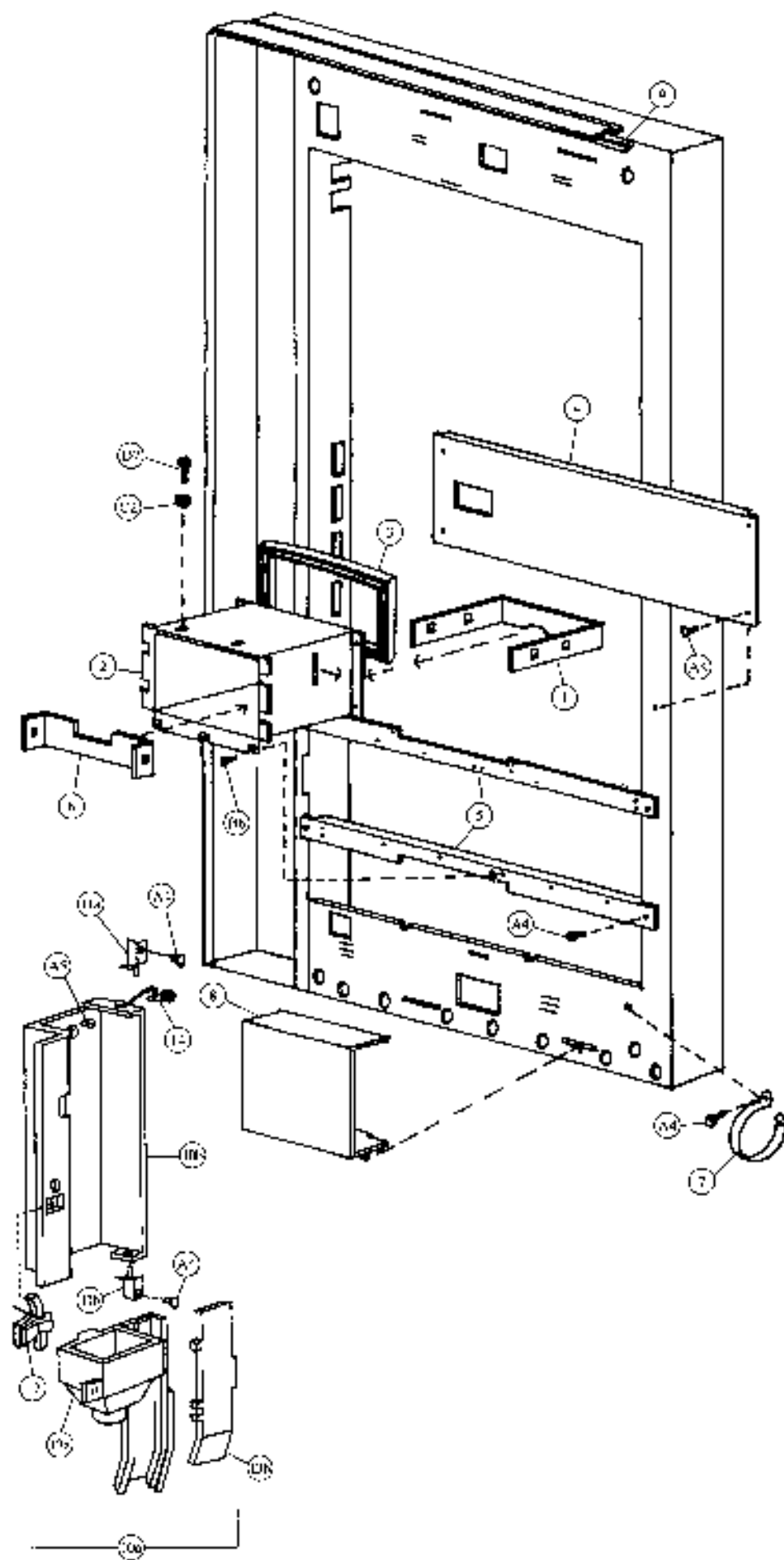
Coke (Landscape) DNCE 600CC

Dimensions	79.5" H x 37.5" W x 32" D (2019mm H x 940mm W x 813mm D)
Dimension - Less Door	79.5" H x 37.5" W x 29" D (2019mm H x 940mm W x 737mm D)
Approximate Weight	840 lbs. (381kg)
Selections/Columns	7/8 or 8/8
Total 12 oz. (330ml) Cans Capacity/Vend	600/576
Column Capacity 12 oz. (330ml) Cans	5 Single Columns - 57 Each 3 Double Columns - 105 Each

Main Door - Exterior - Coke (Landscape)



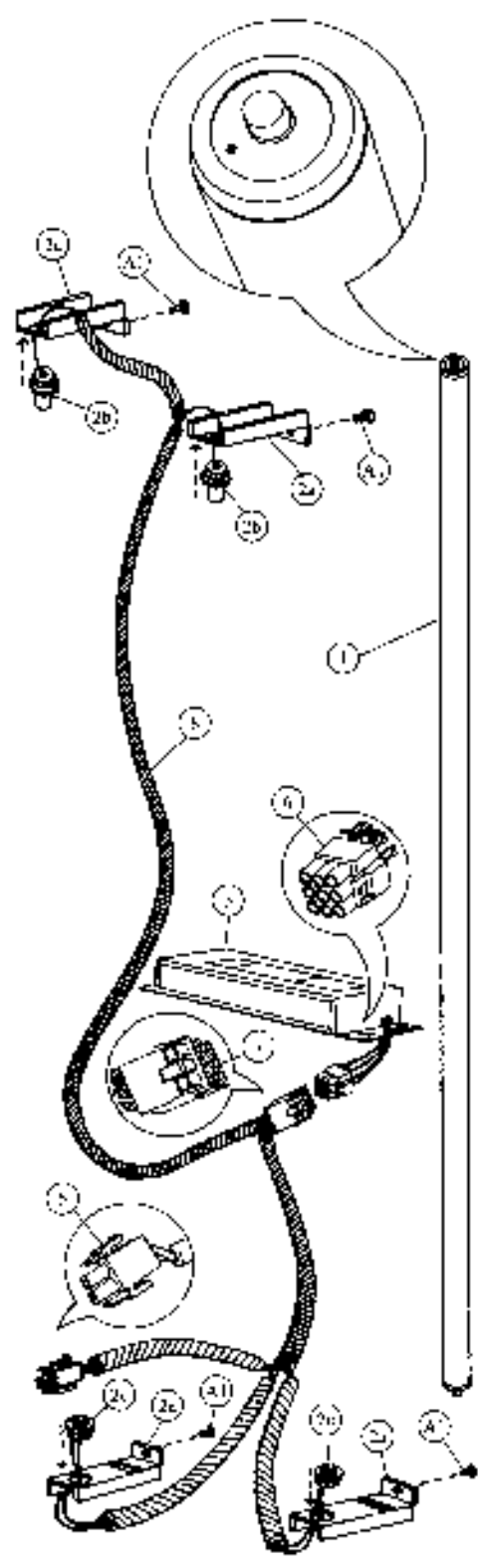
Main Door - Interior (B) - Coke (Landscape)



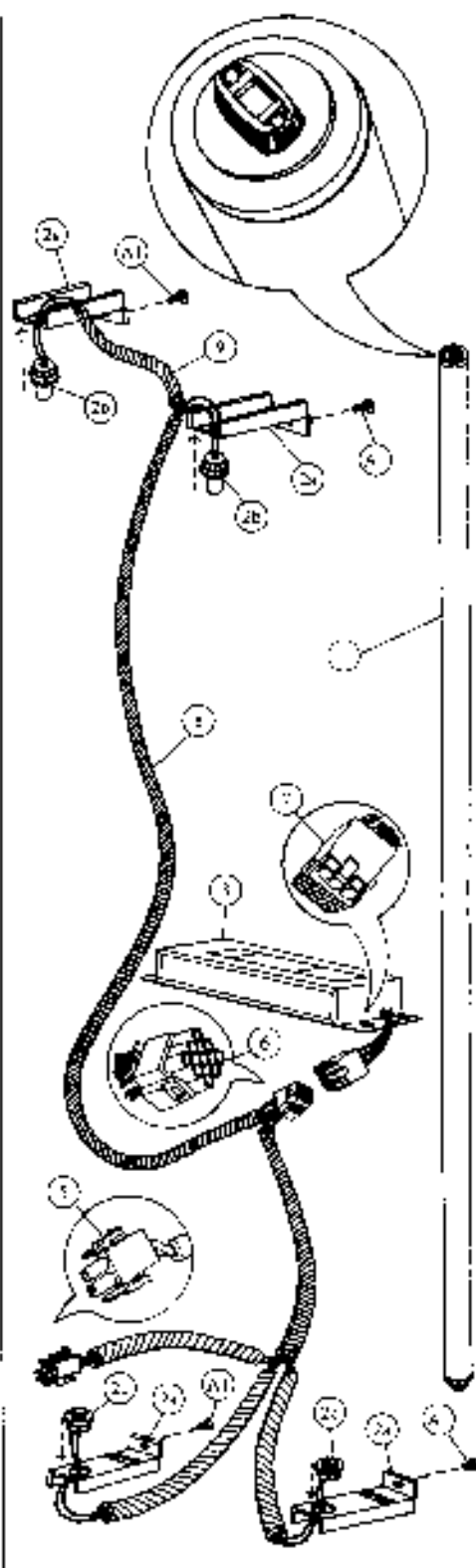
Select Panel - Coke (Landscape)

Item	Part Number	Part Name And Description
1	491,050,400.03	7 Select, Select Panel Assembly (specify harness)
	444,050,400.03	8 Select, Select Panel Assembly (specify harness)
2	801,805,740.01	7 Select, Select Panel
	801,805,780.01	8 Select, Select Panel
3a	See list below	7 Select, Door Harness
	804,903,670.41	Single Price & Single Price - IEC Standard
	804,903,950.21	Two Price & Two Price - IEC Standard
	804,904,110.41	Four Price & Four Price - IEC Standard
3b	See list below	8 Select, Door Harness
	804,903,680.41	Single Price & Single Price - IEC Standard
	804,903,960.41	Two Price & Two Price - IEC Standard
	804,904,130.41	Four Price & Four Price - IEC Standard
4	491,050,700.03	7 Select, Select Switch Bar Assembly
	444,050,700.03	8 Select, Select Switch Bar Assembly
5	432,050,530.63	7 Select, Select Switch Bar
	444,050,030.63	8 Select, Select Switch Bar
6	904,600,830.01	15-Way Plug
7a	904,600,620.01	Socket, Relay
7b	904,600,600.01	Socket, Coin Changer
8a	804,200,190.01	Sequence Relay (7 Select only)
8b	804,200,170.01	Vend Relay (single price only)
9	901,901,890.01	1" Clamp
10a	801,805,710.21	Push Button
10b	901,700,720.11	Push Button Spring
11	801,805,920.21	Switch Insulator
12	902,000,580.01	Nyloc
13	804,700,210.21	Sold Out Lamp
14	Indicate flavor	Flavor Cards (not shown)
15	804,100,710.01	Select Switches (single Micro)
16	904,600,700.01	2-Way Cap
A4	900,301,500.01	Screw, Phil Pan (without washer) #8 - 18 x 1/2 (2)
A9	900,301,560.01	Sems Screw #8 - 32 x 1/2 (1)
A7	900,300,470.01	Screw, Phil Pan #4 x 1/4 (14)
D3	900,400,430.01	T-Bolt #8 - 32 x 1 (4)
C3	900,800,500.01	Keps Nut #8 - 32 (14)

Lighting - Coke (Landscape)

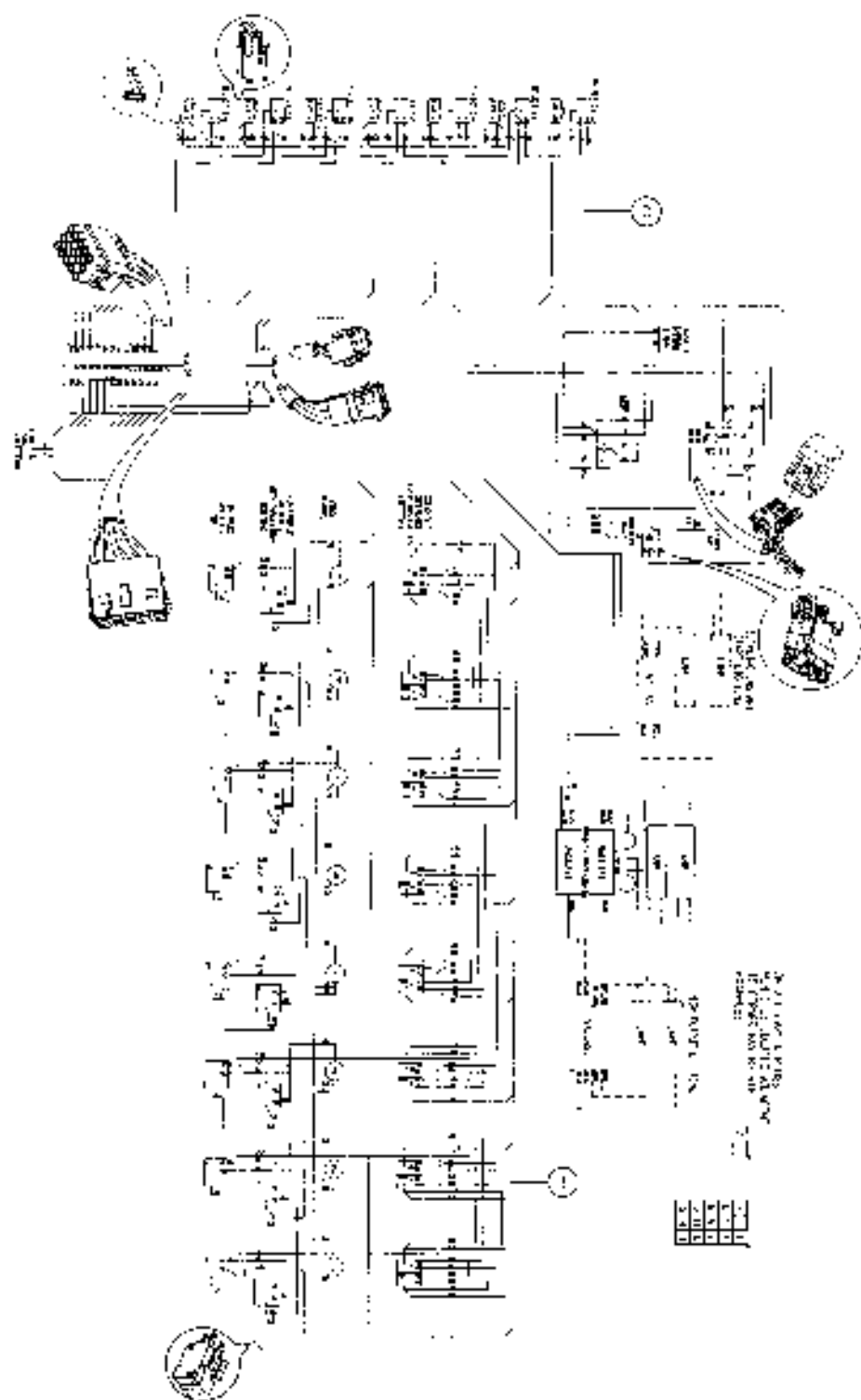


Slimline



High-Output

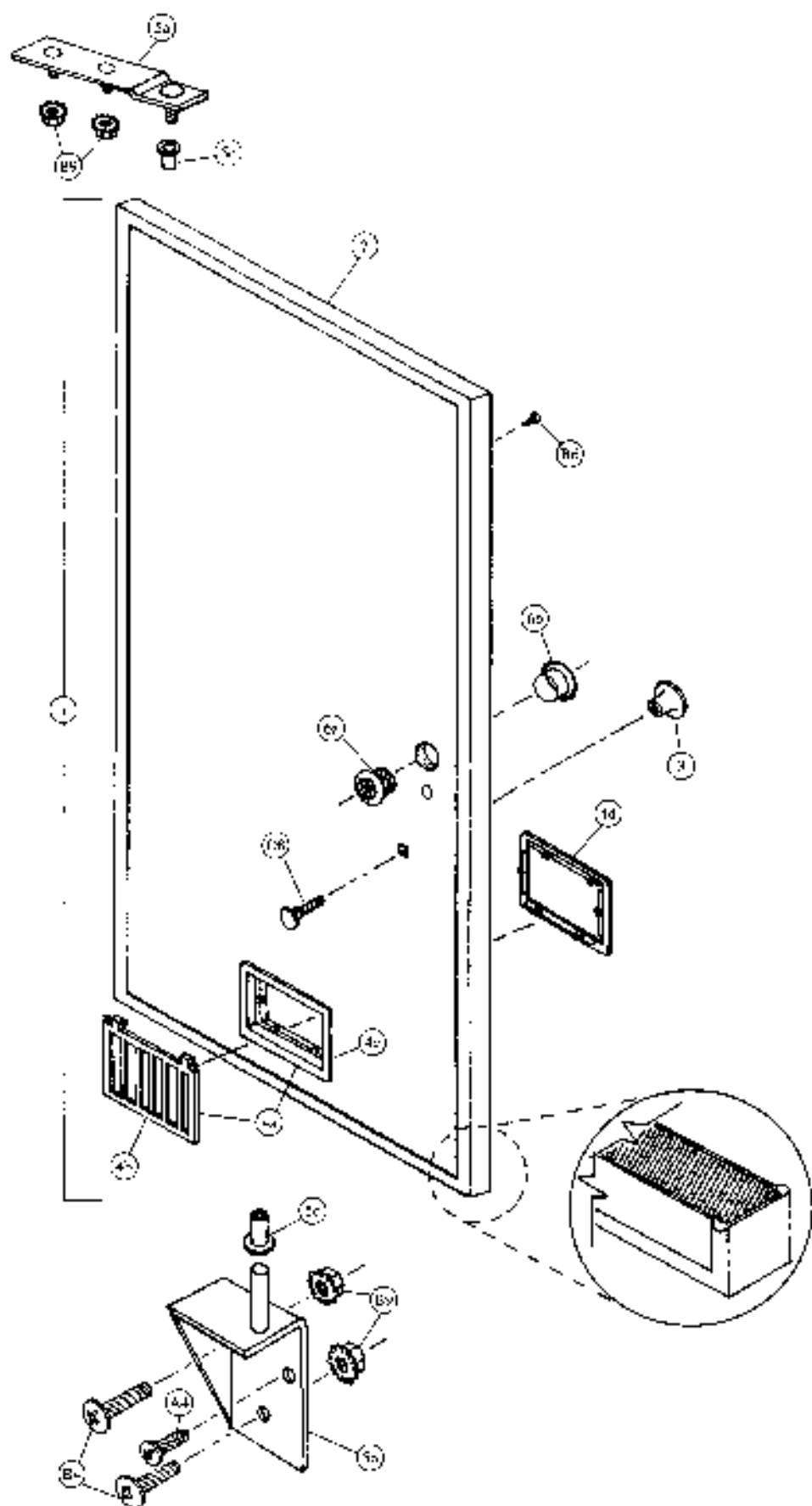
Wiring Harness - Coke (Landscape)



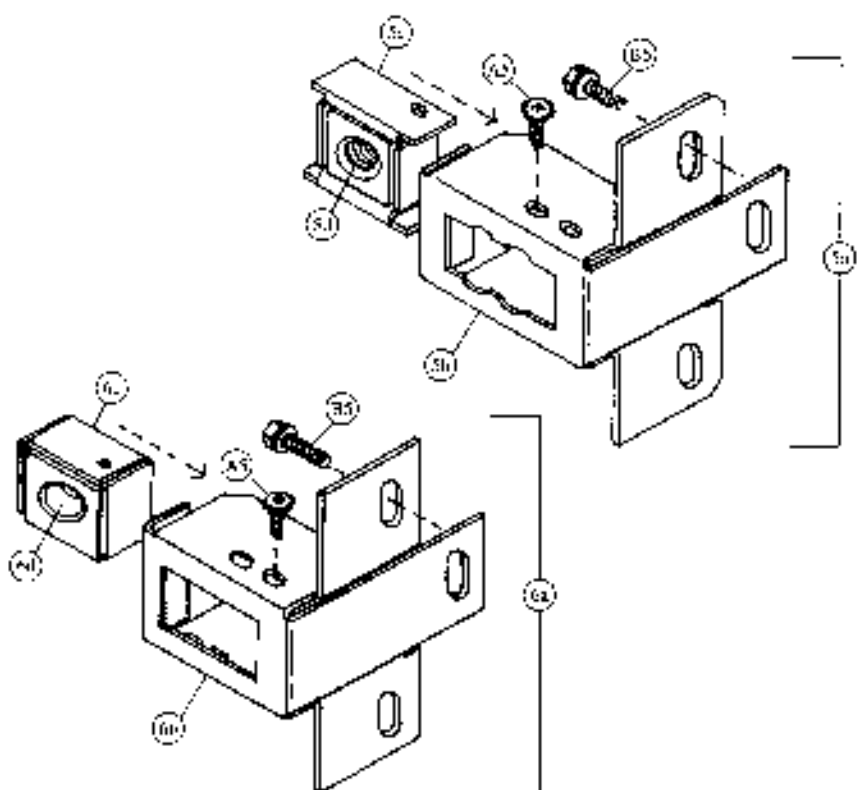
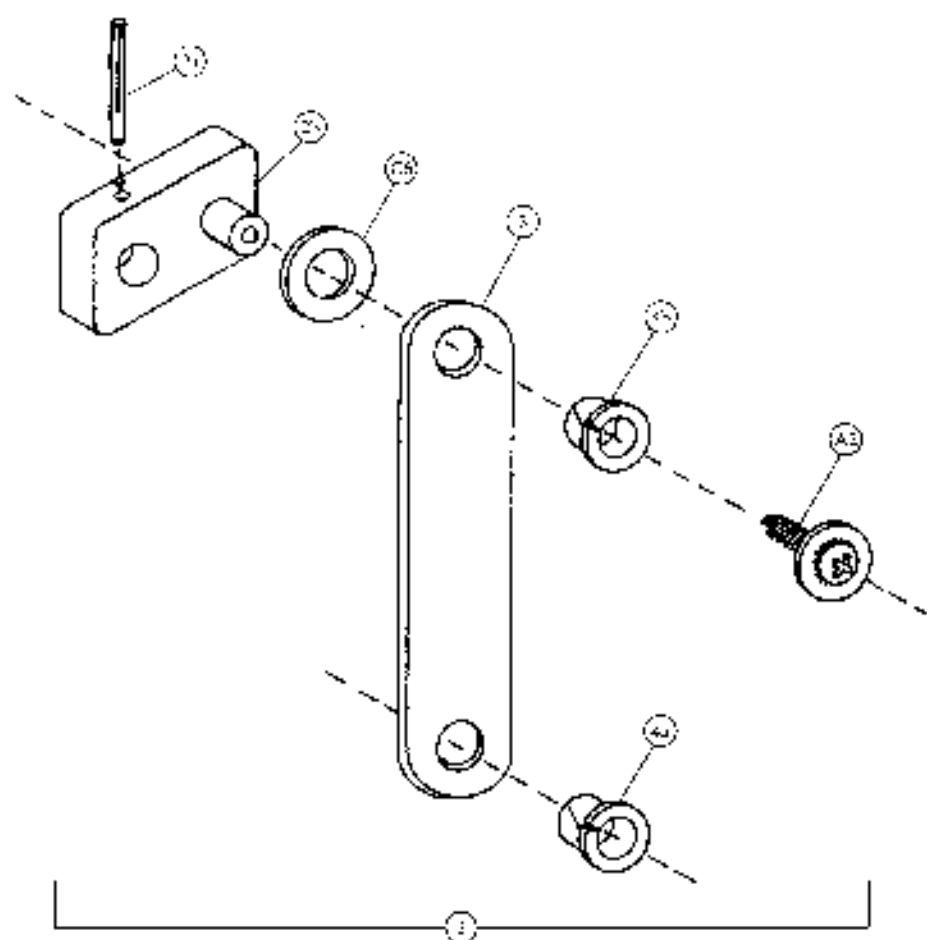
Sample Diagram

T Model, 8 Column Dual Adaptable, Sequencing 1 & 2, Single Price

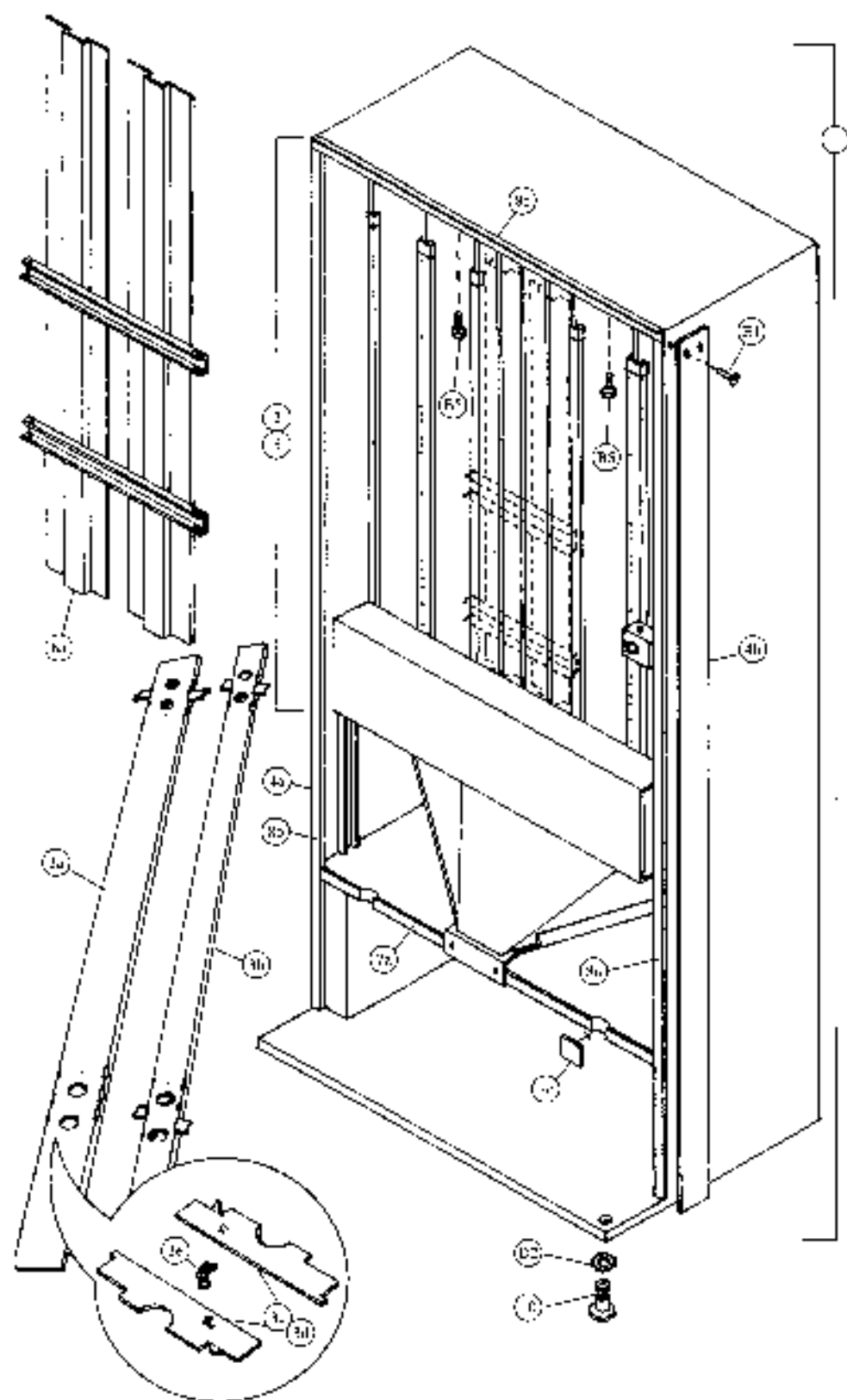
Inner Door - Coke (Landscape)



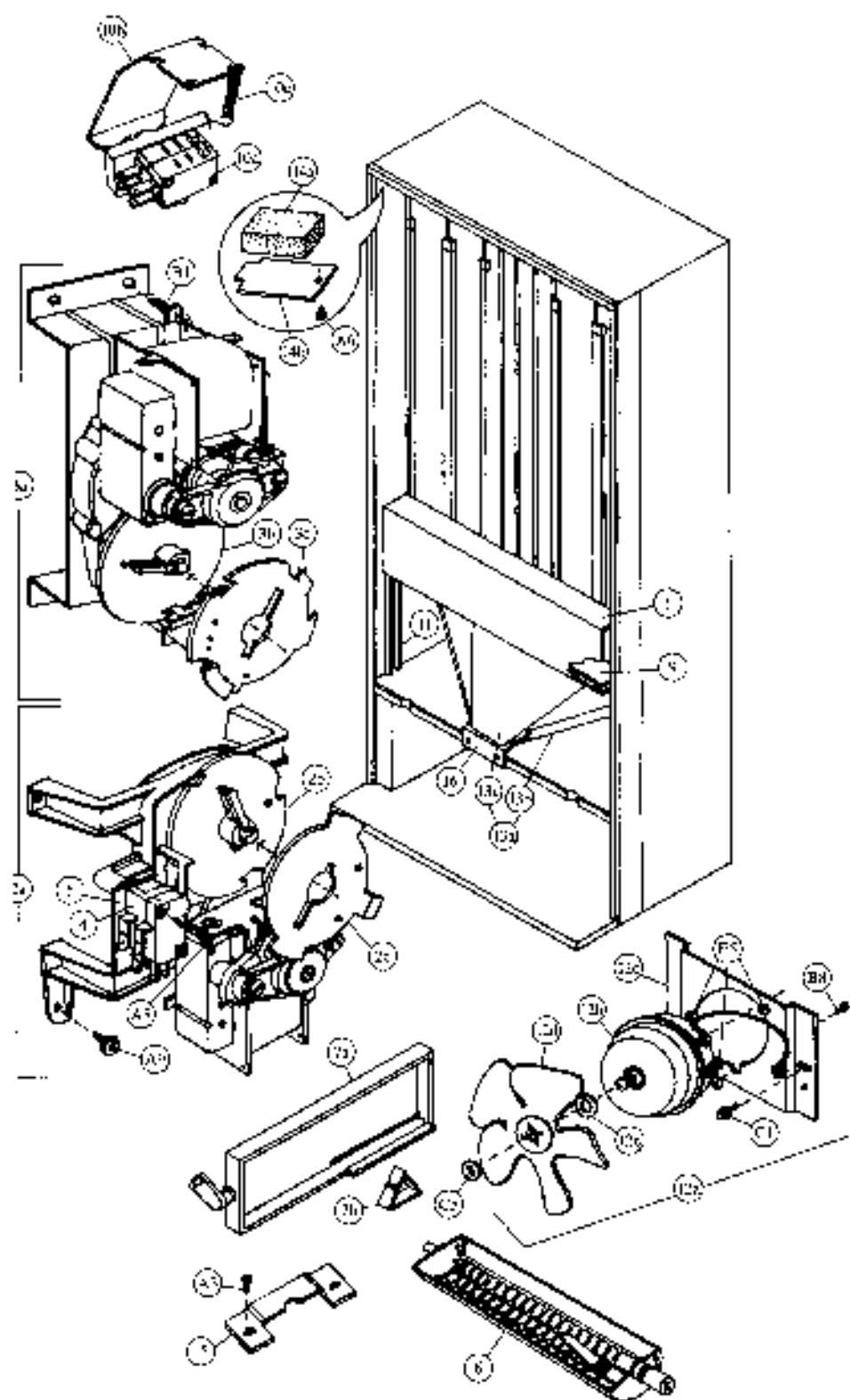
Two-Bar Linkage & Nut Retainer Housing - Coke (Landscape)



Cabinet Interior - Coke (Landscape)



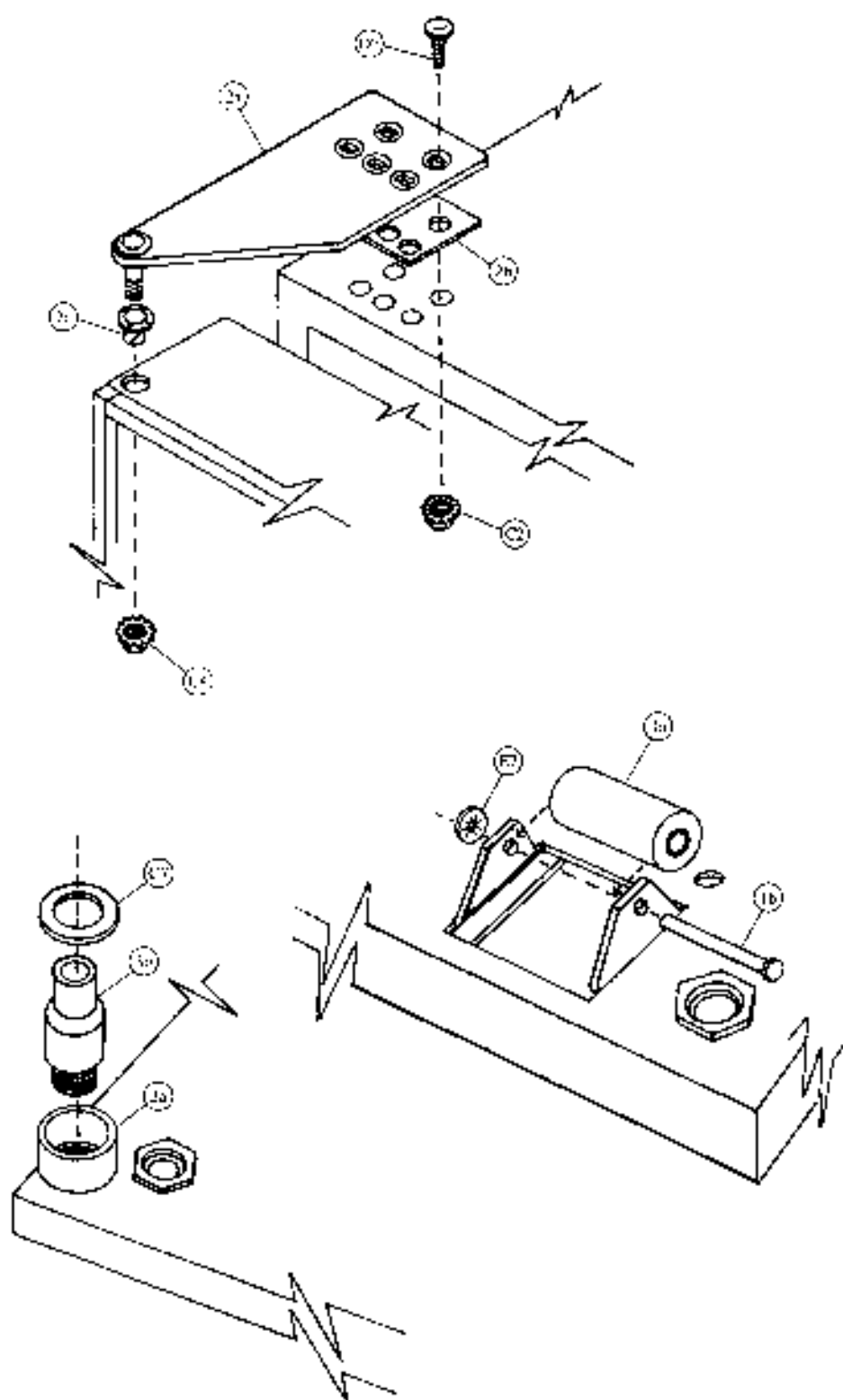
Cabinet & Vend Mechanism - Coke (Landscape)



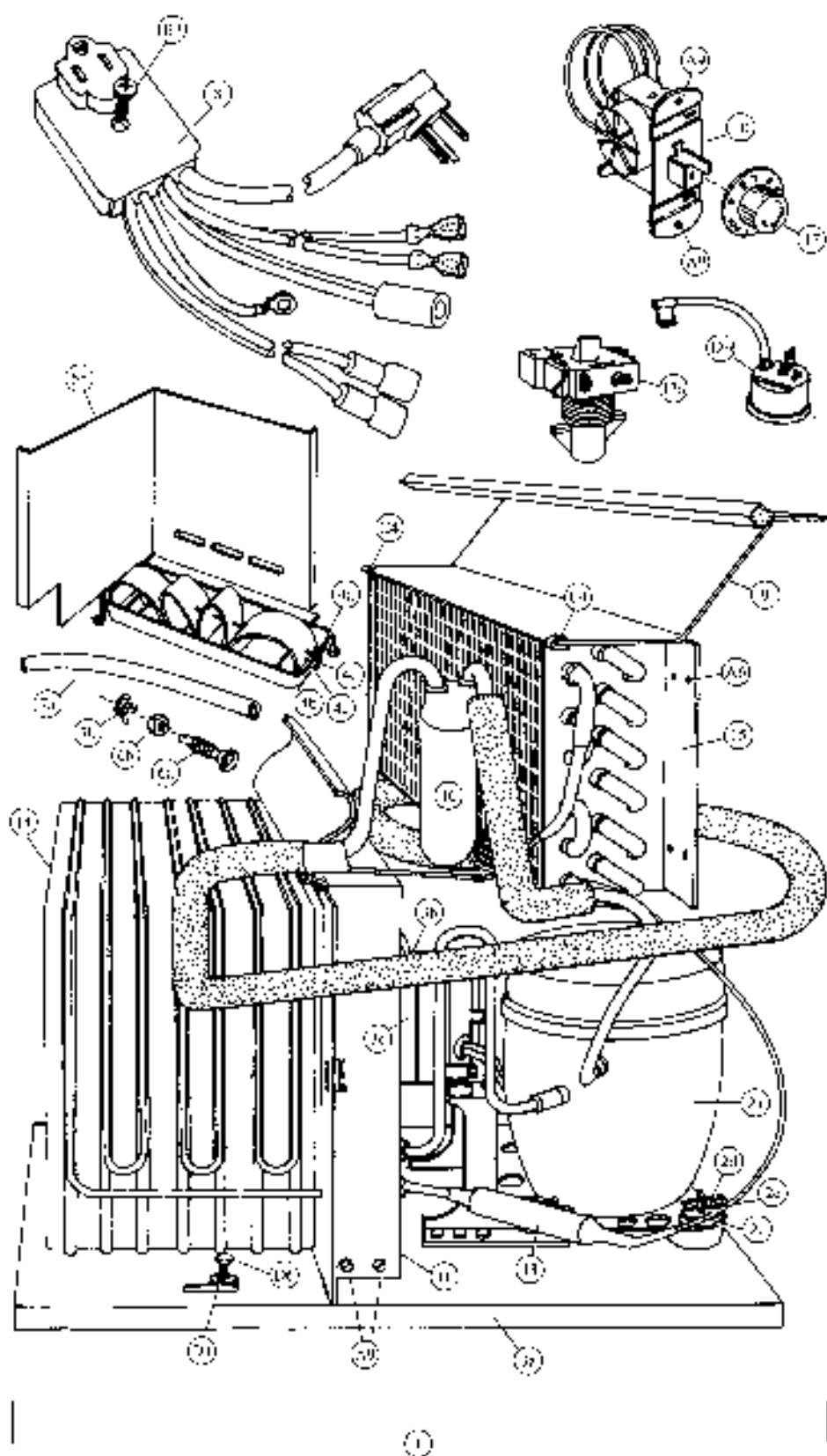
Cabinet & Vend Mechanism - Coke (Landscape)

Item	Part Number	Part Name And Description
1	491,070,050.35	Vend Motor Cover, Wide
	491,071,200.25	Vend Motor Cover, Wide - IEC Standard
2a	See list below	Vend Motor Assembly, Wide
	497,070,800.05	Single Price
	497,170,100.05	Two/Four Price
2b	801,806,410.01	Vend Cam, Green
2c	801,806,400.11	Adjustable Cam, Gold
3a	See list below	Vend Motor Assembly, Narrow (501 only)
	497,070,900.05	Single Price
	497,170,200.05	Two/Four Price
7a	801,806,180.21	Vend Cam, Brown (501 only)
3c	801,806,610.21	Adjustable Cam, Brown (501 only)
	See list below	Vend Motor Switch
	804,100,690.01	Single Price (Double Switch)
	804,100,690.01	Single Price - IEC Standard (Double Switch)
	804,100,700.01	Two/Four Price - IEC Standard (Triple Switch)
5	905,800,030.11	Vend Motor Switch Insulator
6	801,201,220.01 (A)	Vend Rotor - Narrow Column
	801,201,230.01 (B)	Triple Depth Cam Rotor - Narrow Column
7a	801,201,020.11	Vend Oscillator - Wide Column
7b	901,700,650.31	Cam Retainer Oscillator
8a	801,803,170.21	Nyliner, Rear (not shown)
8b	901,804,230.21	Nyliner, Front - Wide Column only (not shown)
9	267,070,370.45	Wire Shield
10a	804,100,610.01	Sold Out Switch Assembly
	804,100,680.01	Sold Out Switch Assembly - IEC Standard
10b	472,070,190.13	Sold Out Paddle
10c	901,700,740.01	Sold Out Paddle Spring
11	497,070,010.33	Mechanism Support
12a	See list below	Evaporator Fan Motor Assembly
	491,600,200.05	115v
	491,140,400.05	220-240v
12b	See list below	Evaporator Fan Motor
	804,500,590.01	115v
	804,500,520.01	220-240v
12c	164,040,080.75	Evaporator Fan Motor Bracket
12d	801,303,270.11	Evaporator Fan Blade
12e	902,100,290.01	Silencer
13a	497,071,900.03	Can Chute Assembly (includes 13b & 13c)
13b	724,000,010.93	Can Chute
13c	724,000,020.53	Chute Liner (Kydex)
14a	903,300,770.01	Foam Block
14b	169,000,130.03	Hinge Pocket Cover
15	176,072,110.13	Journal
16	172,070,530.03	Support, Can/Boxite Chute
C1	900,901,510.02	Screw, Phil Pan Tapping
A1	900,301,830.01	Setts Screw #10 - 32 x 3/8 (6)
A6	900,600,230.02	Sheet Metal Screw, Type "A"
B8	900,301,690.01	Hex Tap Screw #8 - 32 x 3/8 (3)
A8	900,301,820.01	Vend Motor Screw #1 x 1/4 - Double Switch (16)
	900,301,630.01	Vend Motor Screw #4 x 1/4 - Triple Switch
A9	900,301,560.01	Setts Screw #8 - 32 x 3/8 (28)
B5	916,401,090.01	Grommet, Black Rubber #97 (3)
C5	900,800,850.01	Speed Nut
B1	900,301,850.01	Setts Screw #8 - 32 x 3/8

Hinges and Rollers - Coke (Landscape)



Refrigeration - Coke (Landscape)



Refrigeration System - Coke (Landscape)

Item	Part Number	Part Name And Description	
1	Provide information listed	Complete Refrigeration System: Indicate unit model number from serial plate on unit base plate, refrigerant, voltage/hertz and country	
2a	Provide information listed	Compressor 5 1/2 HP: Indicate compressor manufacturer, voltage/hertz, refrigerant and complete manufacturer's model number.	
2b	See list below	Compressor Lead Harness	(not shown)
	901,900,611.01	ALL, except IEC Standard	
	804,905,320.01	220-240v/50hz, IEC Standard	
2c	902,000,570.01	Compressor Mounting Grommet	
2d	900,901,880.01	Compressor Mounting Retainer Clip	
2e	901,803,910.01	Compressor Grommet Plug, Plastic	
3a	497,020,060.03	Condenser Base Plate	
	See list below	Condenser Fan Motor Assembly	
	491,040,200.03	115v	
3b	491,140,300.03	220-240v	
	See list below	Condenser Fan Motor	
	804,500,670.01	115v	
3c	804,500,700.01	220-240v	
	800,103,370.02	Fan Blade	(not shown)
4a	491,000,100.03	Drain Pan Assembly	
4a	801,703,670.01	Drain Pan	
4c	901,900,020.01	Snaker	(R required)
4d	901,400,060.13	Snaker Rod	
5a	491,040,050.73	Condenser Baffle, Right Side	(not shown)
5b	491,040,060.13	Condenser Baffle, Rear	
6c	801,806,050.11	Drain Tube	
6b	900,301,750.01	Drain Tube Nut	
7a	901,900,500.01	Drain Hose	
7b	980,901,130.01	Drain Hose Clamp	
8	See listing below	Main Wiring Harness	
	804,902,220.01 (a)	United States	
	804,905,480.01 (b)	Australia, IEC 335	(not shown)
	804,905,490.01 (c)	United Kingdom, IEC 335	(not shown)
	804,902,160.21 (d)	Europe	(not shown)
	804,903,160.01 (e)	Mexico	(not shown)
	804,905,450.01 (f)	Italy	(not shown)
	804,905,470.01 (g)	Danish, IEC 315	(not shown)
804,905,360.01 (h)	Germany, with Splashwater Protector	(not shown)	
9	236,040,010.53	Top Fan Housing, Long	
	211,040,030.13	Top Fan Housing, Short	
10	802,600,410.01	Temperature Control	
11	491,040,110.43	Fan Shroud Condenser	
12a	Provide information listed	Relay: Indicate compressor manufacturer, model # and voltage/hz	
12b	Provide information listed	Overload: Indicate compressor manufacturer, model # and voltage/hz	
13	802,401,230.01	Dever	
14	802,600,540.01	Condenser	
15	802,600,500.01	Evaporator, Long	
	802,600,770.01	Evaporator, Short	
16	802,400,460.01	Accumulator	
17	802,300,420.01	Knob, Temperature Control	
A6	900,600,230.02	Sheet Metal Screw, Type "A" (not shown)	(2)
A9	900,301,560.01	Self Screw #8 - 32 x 3/4"	(8)
B3	900,301,816.01	Screw, #10 - 32 x 1 1/4"	
D1	900,700,360.01	Lockwasher, 1/8"	(2)
E4	900,901,890.01	Turnerman Clip	(2)
D6	900,400,440.01	Refrigeration Oil 1/2 - 16 x 1"	(2)

Signs and Decals - Coke (Landscape)



①



④

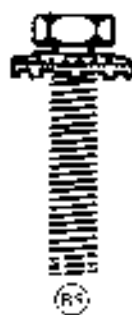
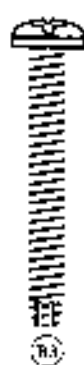
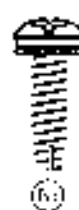
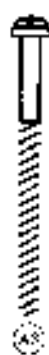
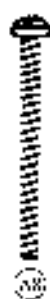
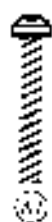


②



③

Screws & Nuts - Coke (Landscape)



Washers, Bolts & Misc. - Coke (Landscape)

