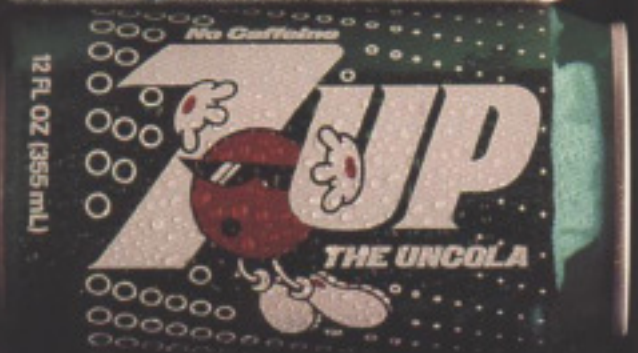
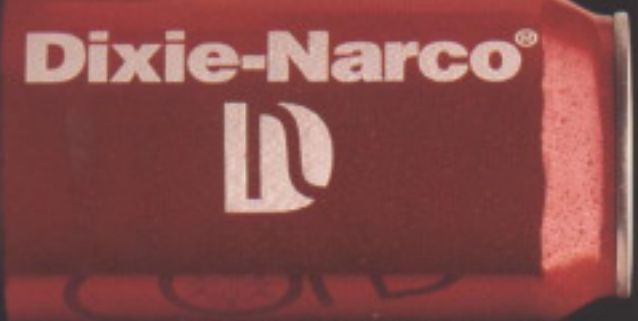
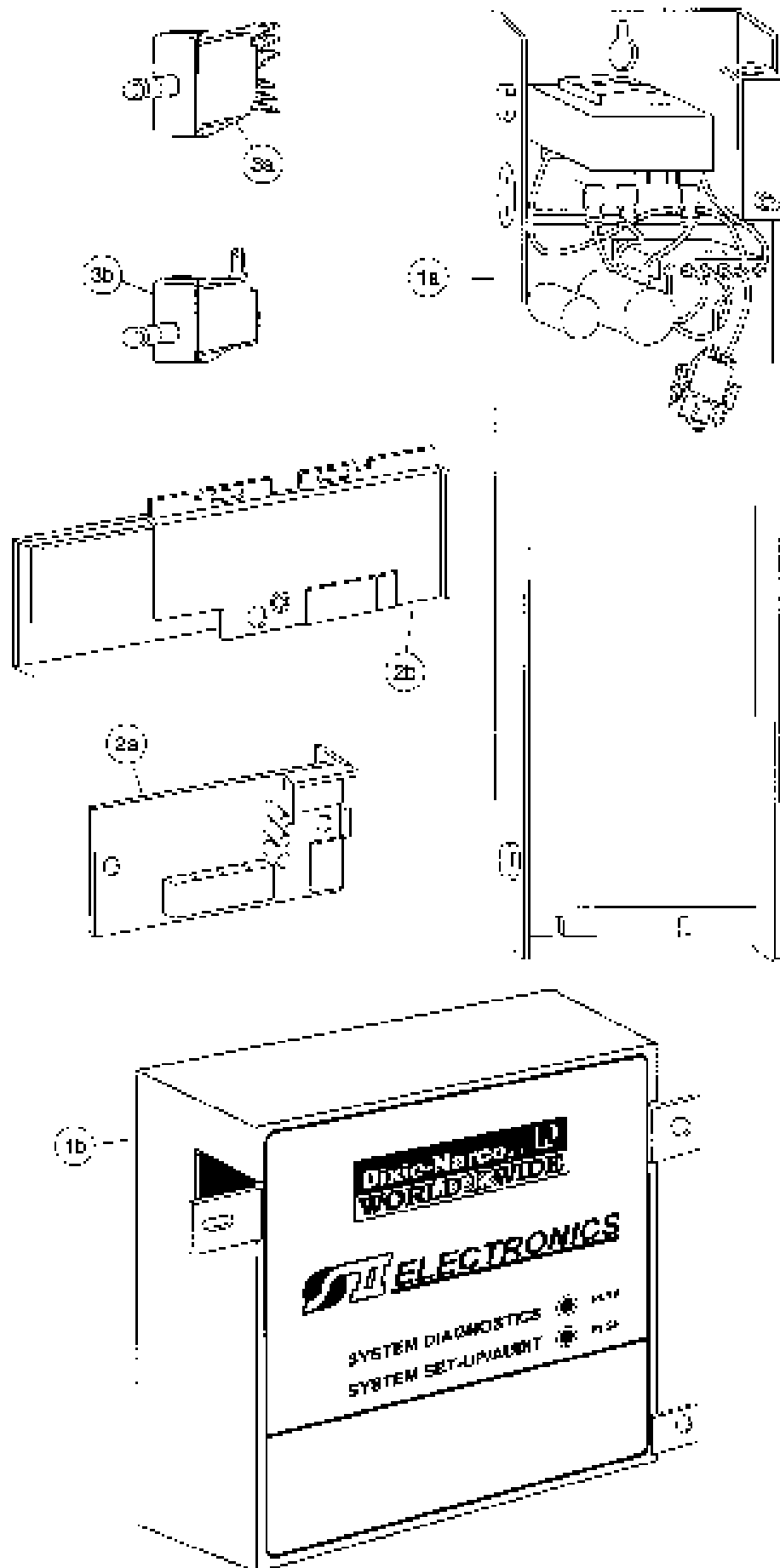


# The Parts Book



## MPC/SII Components

Can Display: Cold Drink (L5), Dr Pepper (D3), Generic Round (B7),  
Veryfine Circular (0301-3194C) to (0301-6163A5), Veryfine-RC Inverted "L" Circular



**Parts List - MPC/SII Components**

**Obie-Norco**

Can Display, Cold Drink FLS, Dr Pepper 105), Generic Round, 7Up 187),  
 Veryfine Circular, 2001 18220 to 2001-21250), Veryfine/RC Inverted "L" Circular

Item	Part Number	Part Name And Description By Model Number
1a		MPC Control Board Package sub assembly
	804.903,250.41	All Models (S/N 0001-3225BP & Higher)
1b		SII Control Box
	804.909,890.01	All Models
2a		MPC Display
	804.902,700.51	All Models
2b		SI Display Board Assembly
	804.909,290.01	7UP NON VRY
	804.907,010.51	Dr. Pepper & 7UP
	804.906,890.41	Generic Round, Cold Drink FLS, Can Display Veryfine Circular, Veryfine/RC Inverted "L" Circular
3a		MPC Door Switch
	804.100,840.01	All Models
3b		SII Door Switch
	804.100,770.21	All Models
4a		MPC Program Label
	903,829,550.01	All Models
4b		SII Program Label
	903,835,120.21	All Models
5		Price Label
	903,829,020.11	All Models