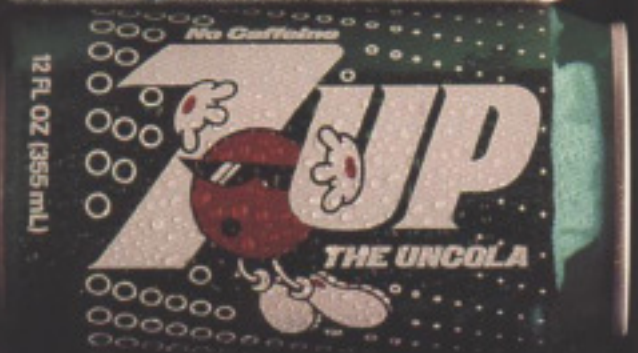
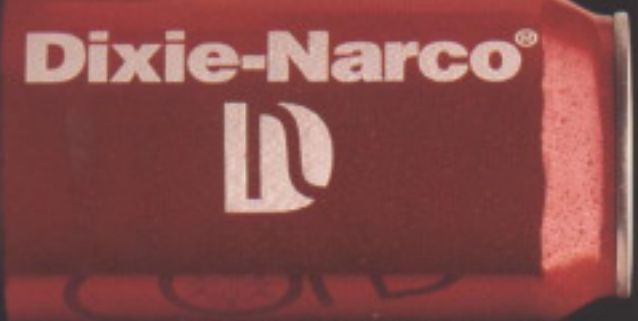
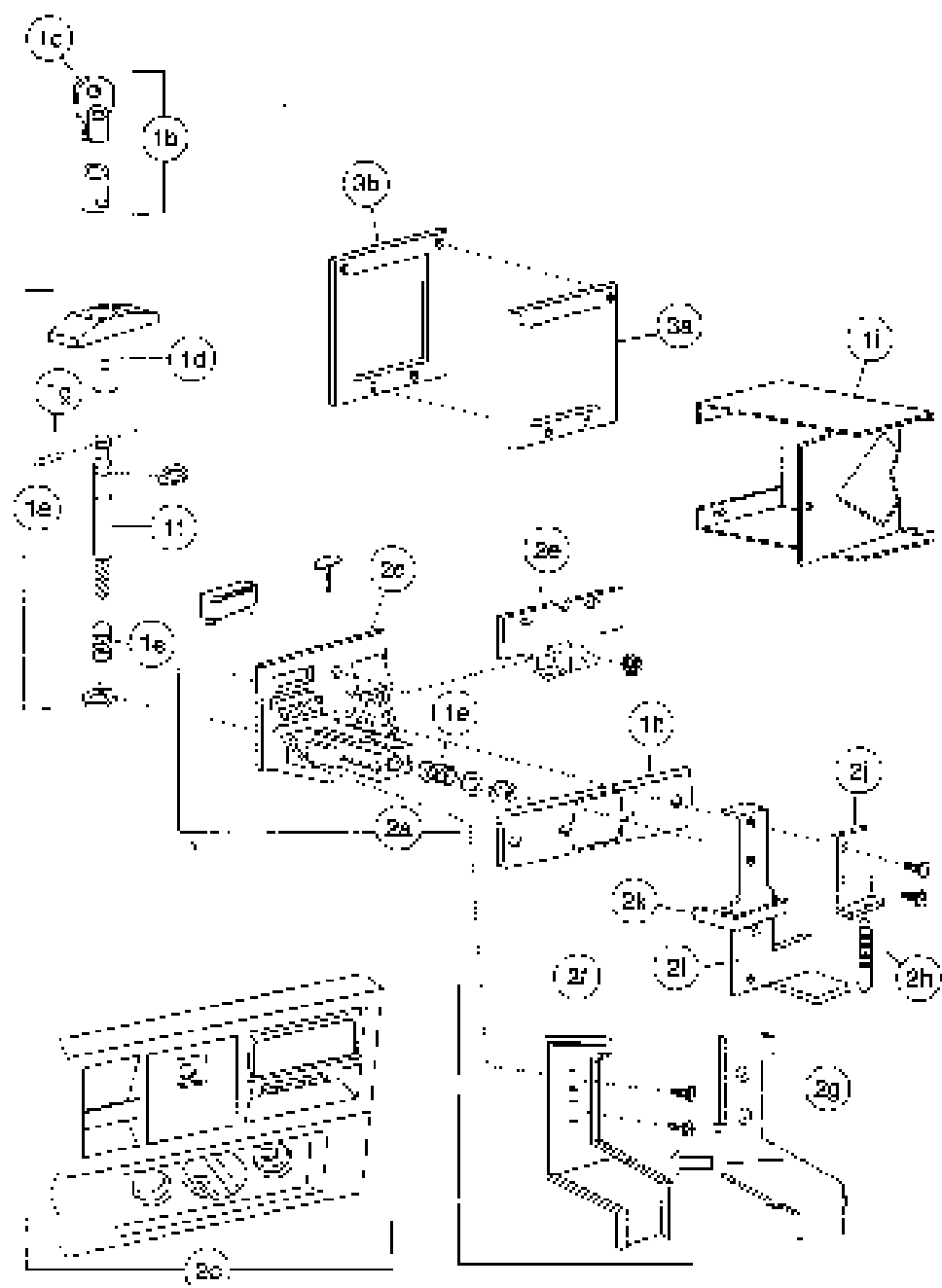


The Parts Book



Can Display

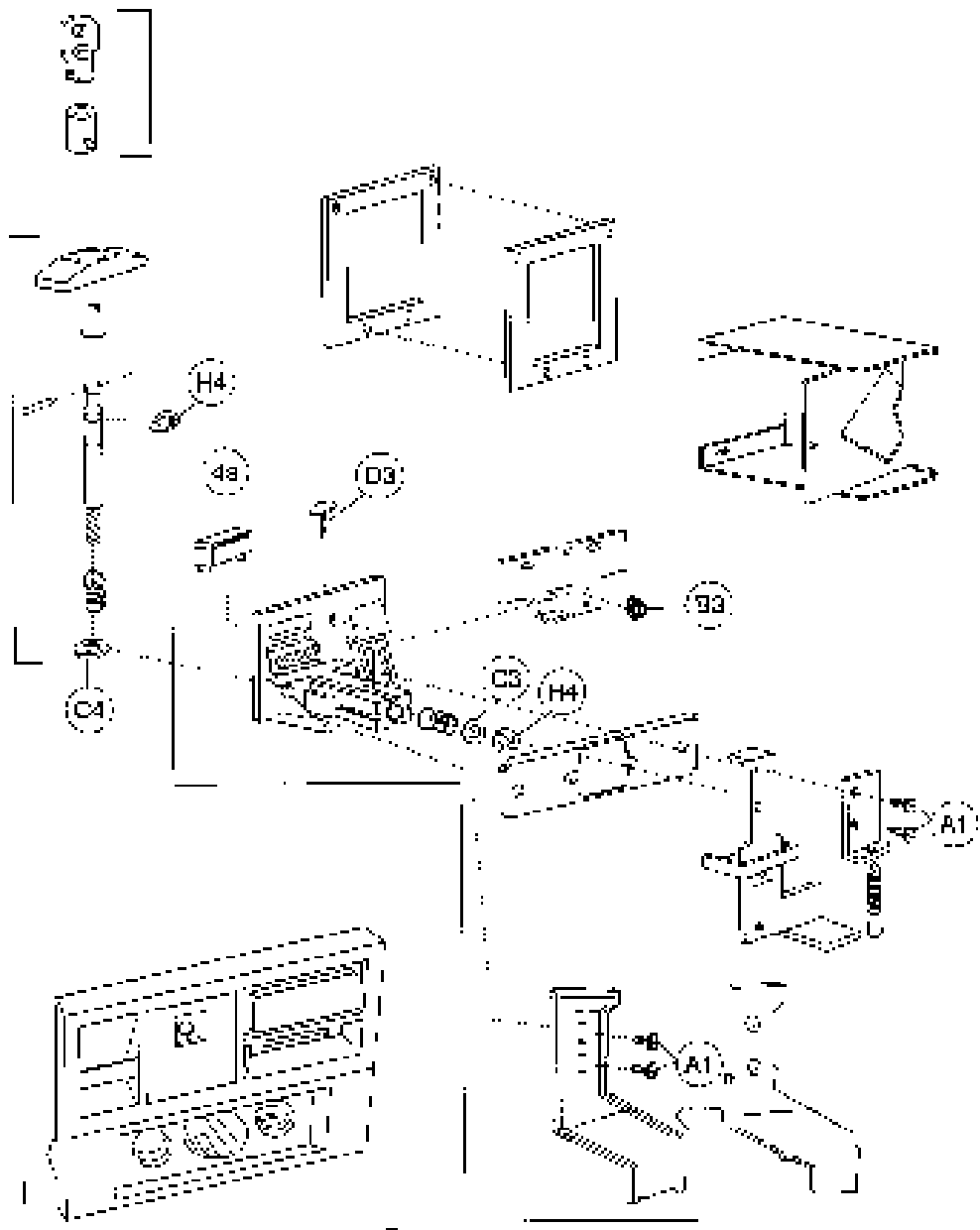


Can Display

Item	Part Number	Part Name And Description By Model Number
1a		T-Handle Assembly
	801,503,040.01	360/368/501
	801,502,850.01	180
1b		Lock with Two Keys
	Specify Key No.	All Models
1c		Key Only
	Specify Key No.	All Models
1d		Handle Only
	801,505,730.01	All Models
1e		Spring
	801,503,050.01	All Models
1f		Stud (4255-8-71)
	801,505,260.01	All Models
1g		Cross Pin
	901,503,080.11	All Models
1h		Back Up Plate 1" Handle
	455,050,280.13	180
1i		I-Handle Brace
	267,250,191.93	180
2a		Coin Insert Assembly (w/out T-Handle)
	460,150,960.03	Domestic (USA & Canada) - 360/368/501
	566,160,000.03	Domestic SII (USA & Canada) - 360/368/501
	460,450,500.03	Export, Large Coin (All Others Except Listed Below) - 360/368/501
	480,750,500.03	Export SII, Large Coin Argentina - 360/368/501
	480,850,500.02	Argentina, Token - 360/368/501
2b		Coin Insert Assembly (Not Shown)
	543,350,800.03	Domestic, DNCR Flat Style - 180
2c		Coin Insert
	801,201,180.71	Domestic (USA & Canada) - 360/368/501
	801,201,400.21	Domestic SII (USA & Canada) - 360/368/501
	801,201,290.41	Export, Large Coin (All Others Except Listed Below) - 360/368/501
	801,201,450.11	Export SII, Large Coin (All Others Except Listed Below) - 360/368/501
	801,201,350.21	Argentina, Token - 360/368/501
2d		Coin Insert (Not Shown)
	801,200,920.91	Domestic, DNCR Flat Style - 180
2e		Coin Insert Retainer NON SII
	453,050,130.83	360/368/501
	143,051,270.93	180
2f		Coin Chute Cover
	801,805,600.61	360/368/501
	801,805,580.11	180
2g		Coin Chute
	801,805,790.21	360/368/501
	801,805,570.31	180
2h		Spring Extension, Coin Return
	901,700,630.11	All Models
2i		Coin Return Plunger Assembly
	453,050,600.03	360/368/501
	801,303,610.51	180
2j		Plunger Bracket, Coin Insert
	432,050,570.53	360/368/501
		Plunger Retainer Plate
	209,050,120.03	180
2k		Drop Chute, Short
	801,808,090.01	360/368/501
	801,805,270.51	180
3a		Validator Filter Plate
	280,050,720.53	All Models
3b		Gasret. Validator - Black
	902,001,020.11	All Models

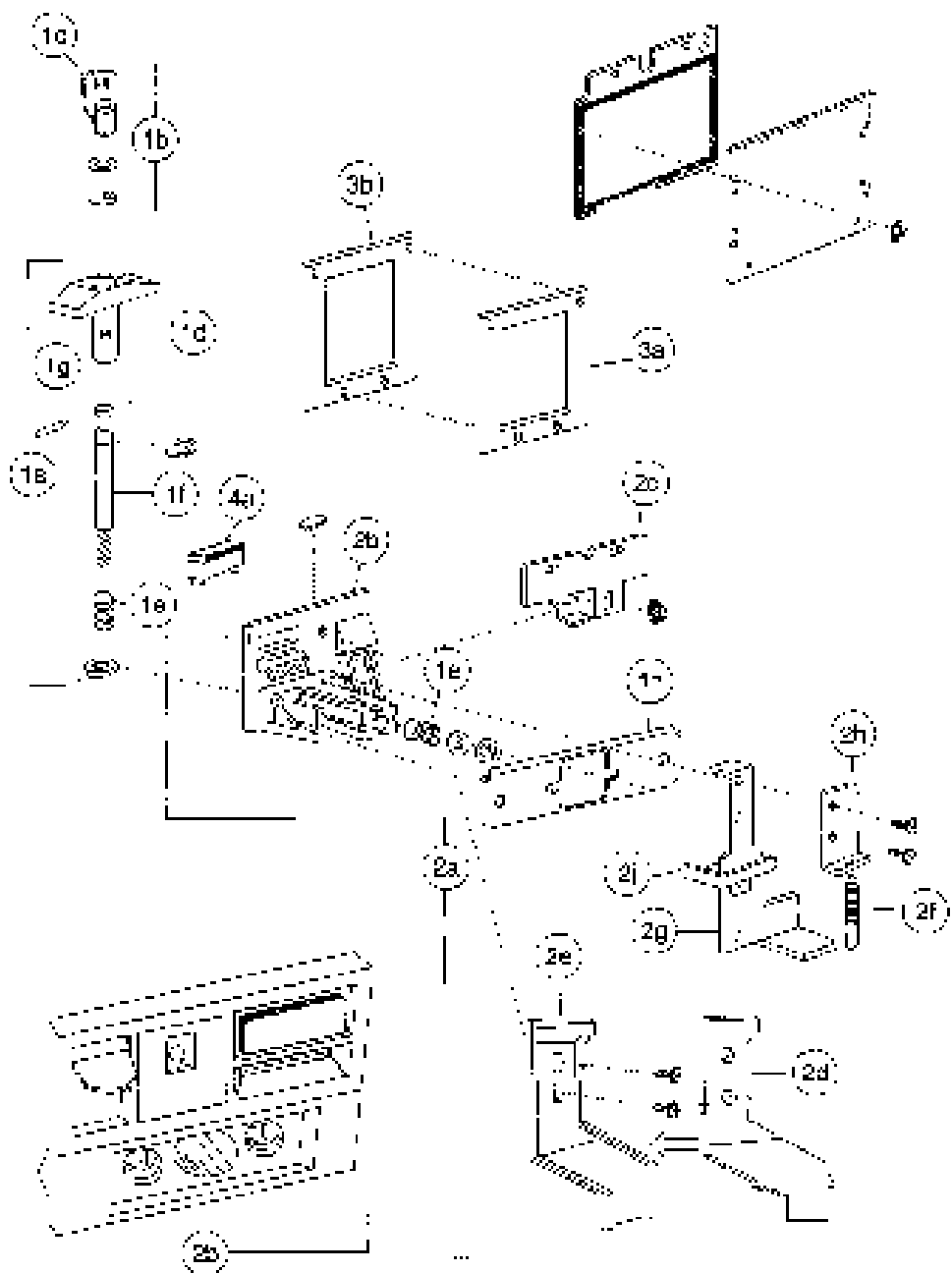
Continued next page

Can Display



Pull-Out Handle & Coin Insert

Cold Drink FLS, Dr Pepper (D3), Generic Round,
Veryfine Circular, Veryfine/RC Inverted "L" Circular



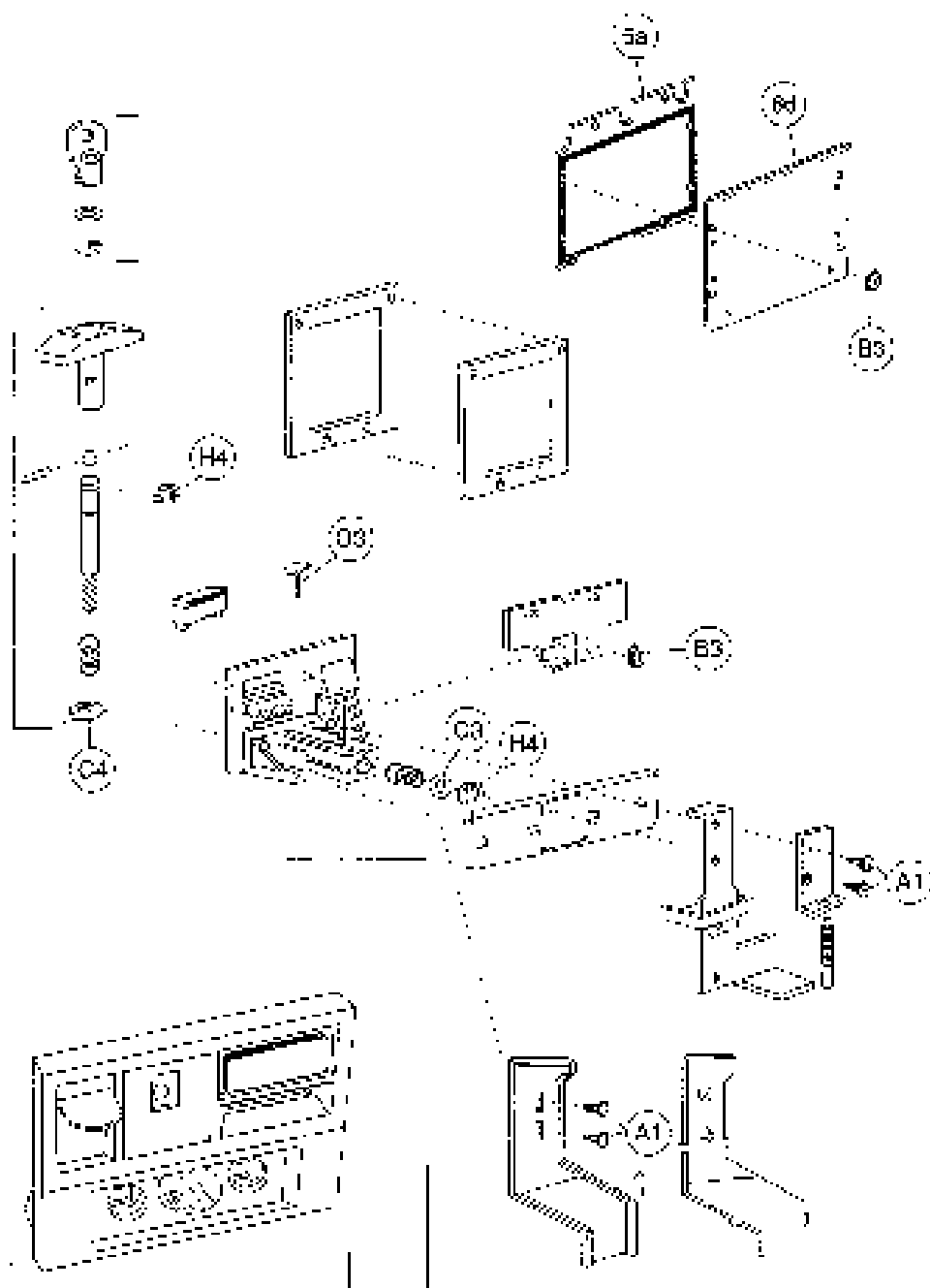
**Cold Drink FLS, Dr Pepper (D3), Generic Round,
Veryfine Circular, Veryfine/RC Inverted "L" Circular**

Item	Part Number	Part Name And Description By Model Number
1a		T-Handle Assembly
	901,503,040.01	All Models
1b		Lock With Two Keys
	Specify Key No.	All Models
1c		Key Only
	Specify Key No.	All Models
1d		Handle Only
	901,505,730.01	All Models
1e		Spring
	901,503,050.01	All Models
1f		Shd (4255-8 44V)
	901,505,290.01	All Models
1g		Cross Pin
	901,503,090.1	All Models
1h		Back Up Plate "T" Handle
	455,350,260.13	All Models
2a		Coin Insert Assembly W/Out T-Handle
	460,150,500.03	Domestic (USA & Canada) - All Models
	565,150,000.03	Domestic SII (USA & Canada) - All Models
	480,150,500.03	Export, Large Coin (All Others Except Listed Below) - All Models
	480,250,500.03	Export SII, Large Coin (All Others Except Listed Below) - All Models
	480,650,500.03	Argentina Token - All Models
2b		Coin Inser.
	901,201,180.61	Domestic (USA & Canada) - All Models
	901,201,400.7	Domestic SII (USA & Canada) - All Models
	901,201,290.31	Export, Large Coin (All Others Except Listed Below) - All Models
	901,201,450.01	Export SII, Large Coin (All Others Except Listed Below) - All Models
	901,201,350.1	Argentina Token - All Models
2c		Coin Insert Retainer
	455,350,190.03	All Models
2d		Coin Drive Cover
	901,805,800.01	All Models
2e		Coin Drive
	901,805,791.21	All Models
2f		Spring Extension
	901,700,630.11	All Models
2g		Coin Return Plunger Assembly
	455,350,800.03	All Models
2h		Plunger Bracket
	432,350,570.33	All Models Except FLS
	455,350,800.03	FLS Models Only
2j		Crip Chair
	901,806,080.01	All Models
3a		Validator Plate
	960,350,720.63	All Models
3b		Socket Validator Block
	982,001,020.11	All Models
4a		Contact Charge Lamp (NON MPD & NON SII)
	904,700,180.31	English "Use Correct Change"
	904,700,500.01	English, ICC Standard "Use Correct Change"
	904,700,440.31	Spanish "Inserte Exacto"
	904,700,450.21	French "Faites L'Appoint"
	904,700,400.21	Italian "Usare Monete Corrette"
	904,700,470.21	Arabic "L'Ustien Para Aftinil"
	904,700,480.21	German "Abgezahlltes Geld Verwenden"
	904,700,490.11	Portuguese "Introduza Quantia Exacta"
	904,700,280.01	Export Contact Charge
	904,700,500.11	Hebrew

Continued next page

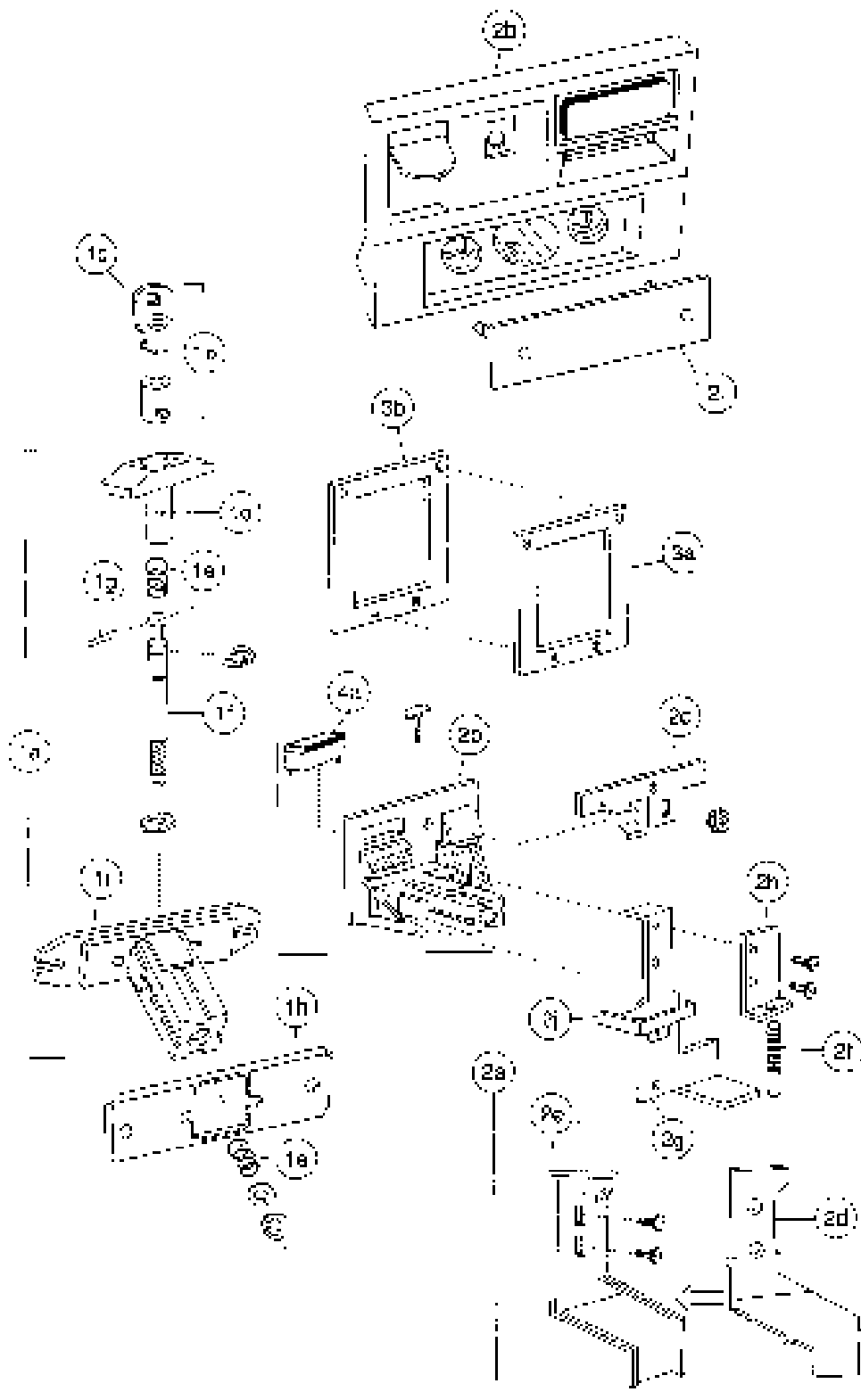
PUR-OUT Handle & Coin insert

Cold Drink FLS, Dr Pepper (D3), Generic Round,
Veryfine Circular, Veryfine/RC Inverted 'L' Circular



Pull-Out Handle & Coin Insert

7Up (B7)



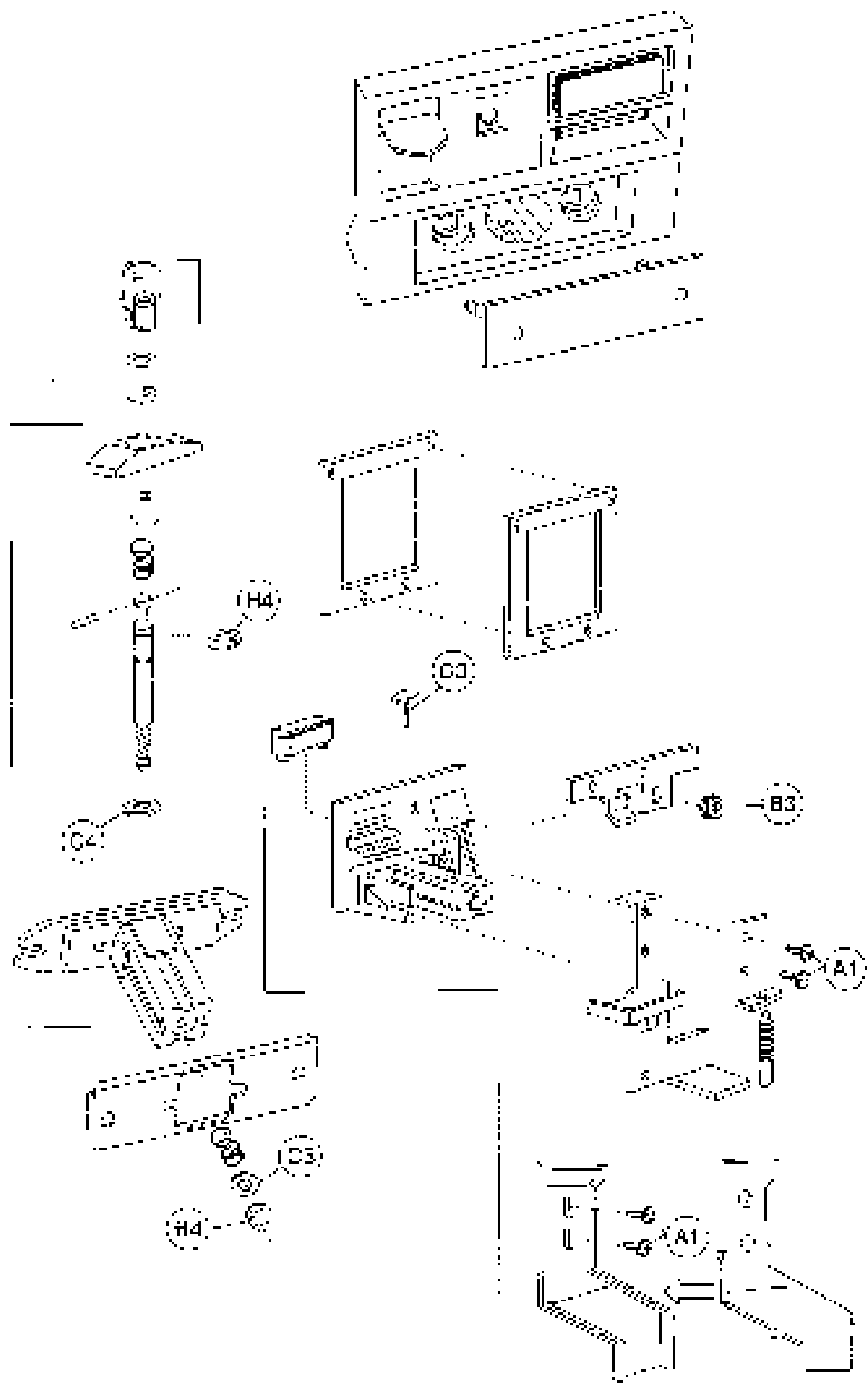
7Up (B7)

Item	Part Number	Part Name And Description By Model Number
1a	801,503,190.01	T-Handle Assembly, Black All Models
1b	Specify Key No.	Lock with Two Keys All Models
1c	Specify Key No.	Key Only All Models
1d	801,507,010.01	Handle Only 7UP (Black)
1e	801,503,056.01	Spring All Models
1f	801,505,290.01	Stud 14255-6-44"00 All Models
1g	801,503,090.11	Grass Pin All Models
1h	455,050,260.13	Back Up-Plan "T" Handle All Models
1i	801,505,280.01	T-Handle Body All Models
2a	455,050,400.03	Coin Insert Assembly W/Out T-Handle Domestic (USA & Canada) - All Models
	566,150,000.03	Domestic SII (USA & Canada) - All Models
	480,450,500.03	Export, Large Coin (All Others Except Listed Below) - All Models
	480,750,500.03	Export SII, Large Coin (All Others Except Listed Below) - All Models
	480,650,500.03	Argentine, Token - All Models
2b	801,201,180.61	Coin Insert Domestic (USA & Canada) - All Models
	801,201,400.11	Domestic SII (USA & Canada) - All Models
	801,201,280.31	Export, Large Coin (All Others Except Listed Below) - All Models
	801,201,450.01	Export SII, Large Coin (All Others Except Listed Below) - All Models
	801,201,250.11	Argentine, Token - All Models
2c	455,050,130.83	Coin Insert, Retaine All Models
2d	801,805,800.61	Coin Chute Cover All Models
2e	801,805,790.21	Coin Chute All Models
2f	901,700,630.11	Spring Extension All Models
2g	432,050,900.02	Coin Return Plunger Assembly All Models
2h	432,050,570.33	Plunger Bracket All Models
2i	459,050,080.01	Coin Insert T-Handle Cover Plate All Models
2j	801,908,080.01	Coin Chute, Short All Models
3a	455,010,050.13	Validator Plate All Models
11b	802,001,020.11	Gasket, Validator Block All Models
4g	804,700,180.31	Correct Change Lamp (NON MPC & NON SII) English "Use Correct Change"
	804,700,500.11	English, IEC Standard "Use Correct Change"
	804,700,140.31	Spanish "Importe Exacto"
	804,700,480.21	French "Faites L'Appoint"
	804,700,400.21	Italian "Lascia Moneta Corrente"
	804,700,470.21	Arabic "Lufftan Para Atiniz"
	804,700,490.31	German "Abgezahletes Geld Verwendet"
	804,700,490.21	Portuguese "Introduza Quantia Exacta"
	804,700,560.01	Hebrew
	804,700,280.01	Export Correct Change

Continued next page

Pull-Out Handle & Coin Insert

7Up (B7)



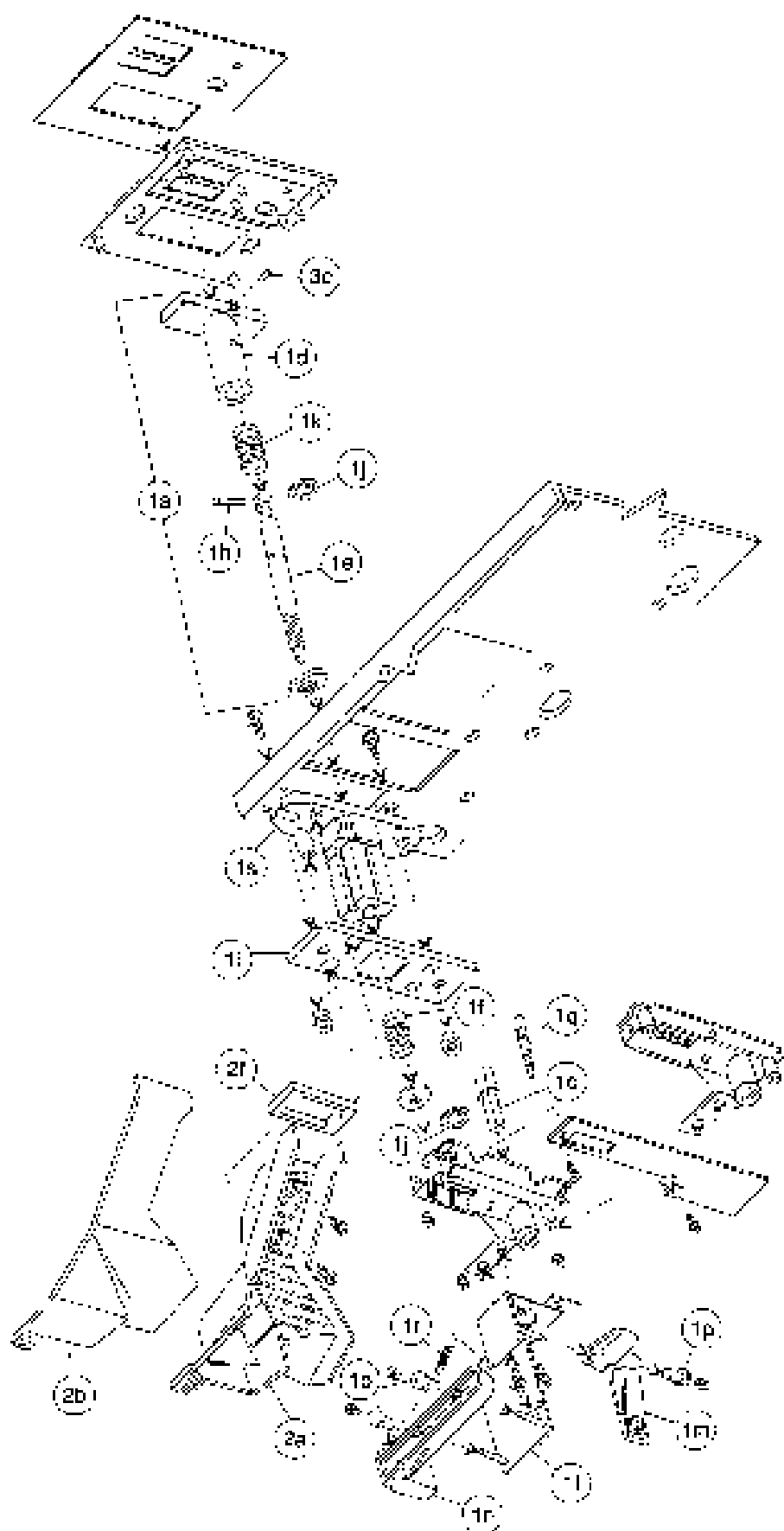
7Up (B7) VRV

Item	Part Number	Part Name And Description By Model Number
1		Assembly, Sub Coin Return VRV & VHV SII
	452,250,800.03	All Models
1a		Assembly, Coin Return Mounting Bracket and Stud VRV SII
	572,053,100.03	All Models
1b		Ball Crank, Coin Return VRV (makes contact with push button)
	801,807,280.11	All Models
1c		Actuator, Coin Return VRV (makes contact with changer reject arm)
	801,807,245.21	All Models
1d		Push Button, Coin Return VRV
	801,807,250.31	All Models
1e		Metal Shoulder Bushing VRV (for ball crank/actuator)
	905,303,350.01	All Models
1f		Use Correct Change Lght VRV, 125 VAC (All NON MPC & NON SII)
	804,700,540.21	All Models
1g		Extension Spring, Coin Return
	801,700,620.11	All Models
2a		Assembly, Flush Mount, T-Handle VRV
	801,512,150.01	All Models
2b		Lock with Two Keys
	Specify Key No.	All Models
2c		Key Only
	Specify Key No.	All Models
2d		T-Handle Only, Flush Mount - Back VRV
	801,512,000.01	All Models
2e		Stud, Flush Mount Lock VRV
	801,514,750.01	All Models
2f		Spring T-Handle
	801,503,050.01	All Models
2h		Cross Pin, T-Handle
	901,503,090.11	All Models
2i		Retainer, High Security Flange VRV (back up plate)
	572,000,010.13	All Models
2j		External Retaining Ring
	801,507,520.11	All Models
2k		Spring Flush Mount T-Handle VRV
	801,502,190.01	All Models
2l		T-Handle Body, Flush Mount
	801,502,180.11	All Models
2m		Assembly, Plate - Handle Back up (Not Shown)
	482,051,130.05	All Models
3		Vender Defender Kit VRV
	481,542,700.23	All Models
3a		Vender Defender Bottom and Screen VRV
	501,807,470.11	All Models
3b		Vender Defender Top Cover VRV
	601,807,480.11	All Models
3c		Vender Defender Gilt VRV
	601,807,490.01	All Models
3d		Vender Defender Drain Hose VRV
	801,807,500.01	All Models
3e		Vender Defender Instruction Package VRV
	801,807,510.01	All Models
3f		Vender Defender Gasket
	801,808,110.01	All Models
4		Assy., Lock Security Parts & Instructions, Bag VRV
	572,052,500.04	All Models
4a		Give Use, Parts/Instructions VRV
	905,403,580.11	All Models
4c		Alkar Key, 1/16" Hex VRV
	800,101,750.01	All Models

Continued next page

Pull-Out Handle & Coin Insert

Dr Pepper (D3) VRV



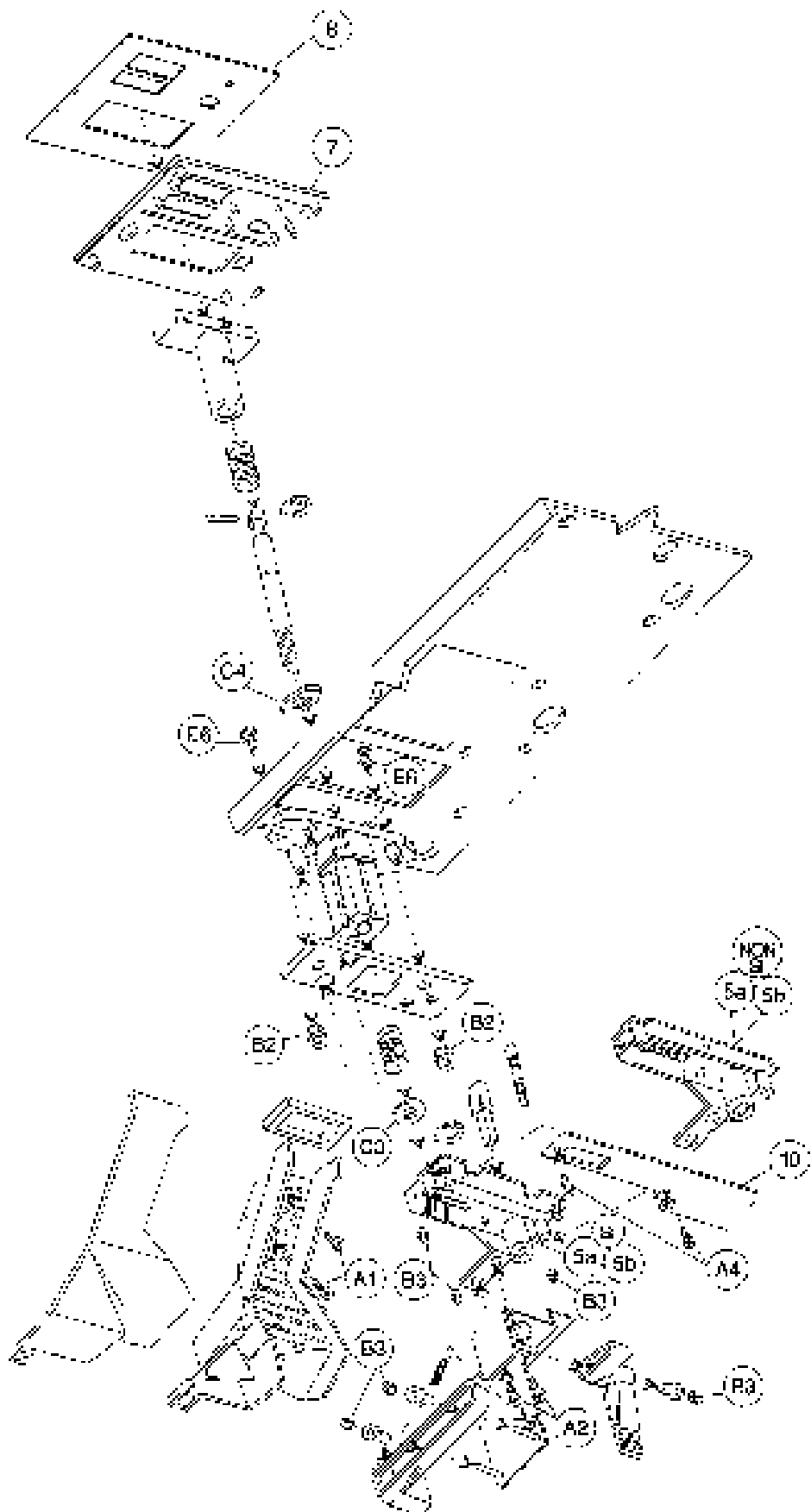
Dr Pepper (D3) VRV

Item	Part Number	Part Name And Description By Model Number
1		Assembly, Sub Coin Return
	572,050,600.02	VRV
	572,052,700.03	VRV SII
1a	921,508,200.11	Assembly, Flush Mount T-Handle VRV
1b		All Models
		Lock with Two Keys
1c	Specify Key No.	All Models
		Key Only
1e	Specify Key No.	All Models
		L-Handle Only, Flush Mount VRV
1a	901,508,150.11	All Models
		Stud, Flush Mount Lock VRV
1f	801,508,180.11	All Models
		Spring, T-Handle
1f	901,503,050.01	All Models
		Cross Pin, T-Handle
1i	901,503,050.11	All Models
		Retainer, High Security Flange VRV (back up, steel)
1j	572,010,010.13	All Models
		External Retaining Ring
1k	801,507,340.11	All Models
		Spring, Flush Mount T-Handle VRV
1l	801,508,180.01	All Models
		Assembly, Coin Return Mounting Bracket and Stud VRV
1m	572,051,600.13	All Models
		Bell Crank, Coin Return VRV (makes contact with push button)
1n	801,807,260.11	All Models
		Actuator, Coin Return VRV (makes contact with change reject solenoid)
1o	801,807,240.21	All Models
		Push Button, Coin Return VRV
1p	801,807,250.31	All Models
		Metal Shoulder Bushing VRV (for bell crank/actuator)
1q	805,300,550.01	All Models
		Use Correct Change Light VRV, 125VAC (All NON MPC & NON SII)
1r	804,700,540.21	All Models
		Extension Spring, Coin Return
1s	901,700,630.11	All Models
		T-Handle Body, Flush Mount
2	801,508,180.11	All Models
		Vender Defender Kit VRV
2a	491,540,700.23	All Models
		Vender Defender Bottom and Screen VRV
2b	801,807,470.11	All Models
		Vender Defender Top Cover VRV
2c	601,837,480.11	All Models
		Vender Defender Cils VRV
2d	601,837,490.01	All Models
		Vender Defender Drain Hose VRV
2e	801,807,500.01	All Models
		Vender Defender Instruction Package VRV
2f	801,807,510.01	All Models
		Vender Defender Gasket
3	801,809,710.01	All Models
		Assembly, Lock Security Parts & Instruction Bag VRV
3a	572,052,500.04	All Models
		Envelope, Parts Instruction VRV
3b	805,408,880.11	All Models
		Alan Key, 1/16" Hex VRV
3c	800,101,150.01	All Models
		Set Screw, Plug Lock VRV
3d	901,508,170.11	All Models

Continued next page

Pull-Out Handle & Coin Insert

Dr Pepper (D3) VRV



Dr Pepper (D3) VRV

Item	Part Number	Part Name And Description By Model Number
4a	362,050,720.03	Validator Filter Plate All Models
4b	302,001,020.11	Casket, Validator Back All Models
5a	801,607,690.21 801,607,710.21	Coin Insert Mounting Geometry Domestic VRV NON SII VRV SII
5b	801,607,720.21 801,607,720.11	Coin insert Mounting Geometry Large Coin VRV NON SII VRV SII
6	903,829,920.21	Price Decal Sheet: VRV, MPC, & SII All Models
7	461,151,170.13 461,150,920.13	Assembly, Coin Insert Plate and Stud VRV NON SII VRV SII
8	803,837,870.01 803,837,960.01	Coin Insert Decal VRV NON SII VRV SII
9	572,050,170.43	Bill Validator Door VRV All Models
10	804,907,010.51	Display Board Assembly VRV SII All Models
11a	804,908,890.91	SII Control Box All Models
11b	804,908,850.21	MPC Control Box All Models
A4	900,301,600.01	Screw, Phil Pan, w/out washer #6-18 x 1/2"
A2	900,301,640.21	Screw, Phil Pan Swage Form w/washer #8-18 x 1/2"
E5	900,201,560.01	Carriage Bolt, 1/4-20 x 3/4"
B2	900,900,670.01	Keeps Nut, 1/4-20
J14	901,503,070.01	E Ring #315
C3	901,503,050.01	Fan Washer #2949
C4	901,503,090.11	Hex Washer #2934
A1	900,301,700.11	Phil Fan Swage Form Screw #8-32 x 3/8"
B3	900,803,500.01	Keeps Nut #3-32
D3	900,400,350.41	T-Slot #8-32 x 3/4"
F5	801,100,530.01	Pou Rivet, 1/2"