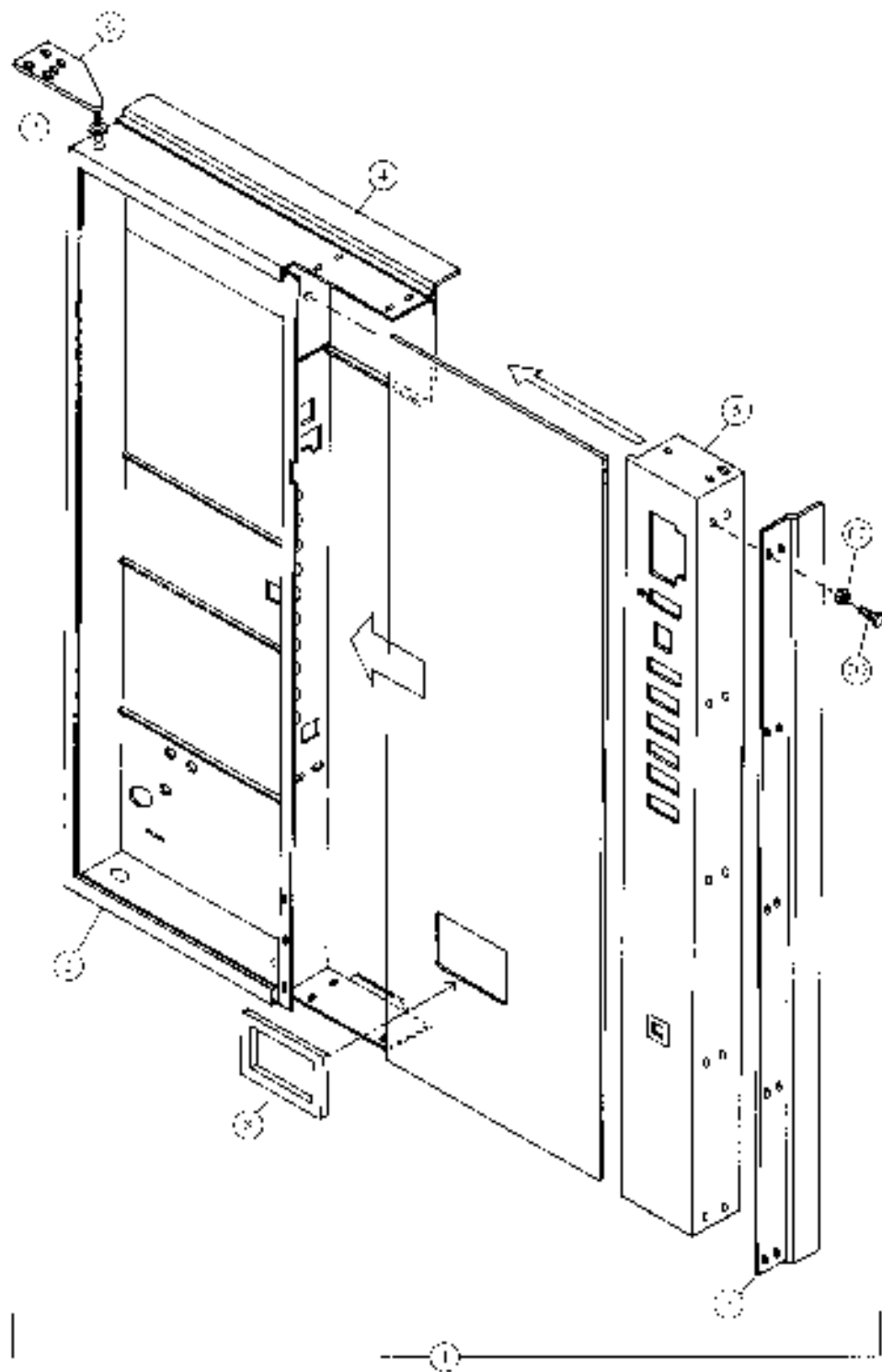




## Pepsi (Magnum) DNCB 168M

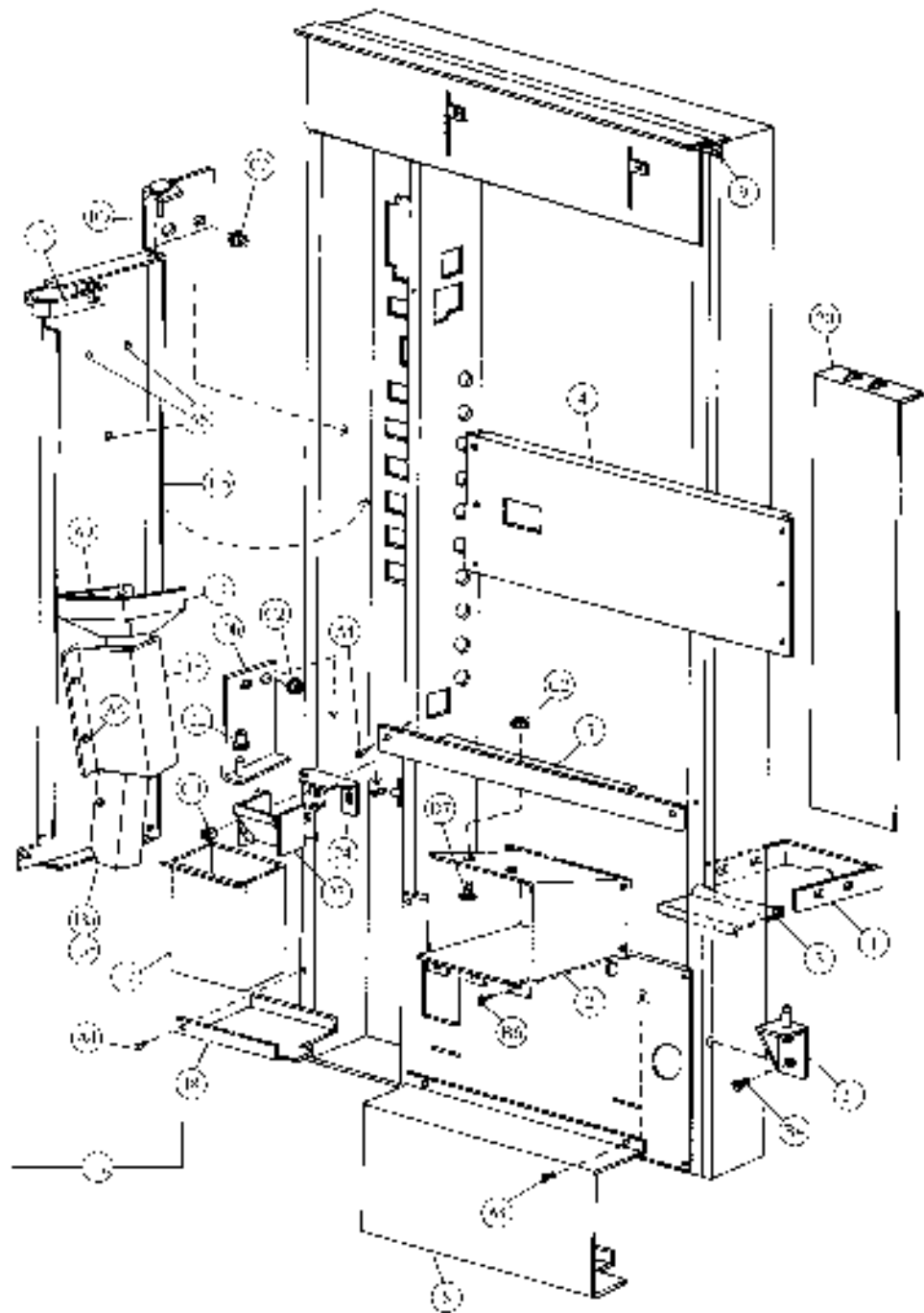
Door Size	56 3/4" H x 28 5/8" W x 29" D (1430mm H x 719mm W x 737mm D)
Dimensions Less Door	56 1/2" H x 28 1/4" W x 27 1/2" D (1419mm H x 715mm W x 698mm D)
Approximate Weight	165 lbs. (211kg)
Select one Column	5/6
Total 12 oz. (330ml) Cans Capacity/Vend	174/162
Column Capacity 2 oz. (56ml) Cans	3 Single Columns - 70 Each 3 Double Columns - 38 Each

# Main Door - Exterior - Pepsi (Magnum)





# Main Door - Interior - Pepsi (Magnum)

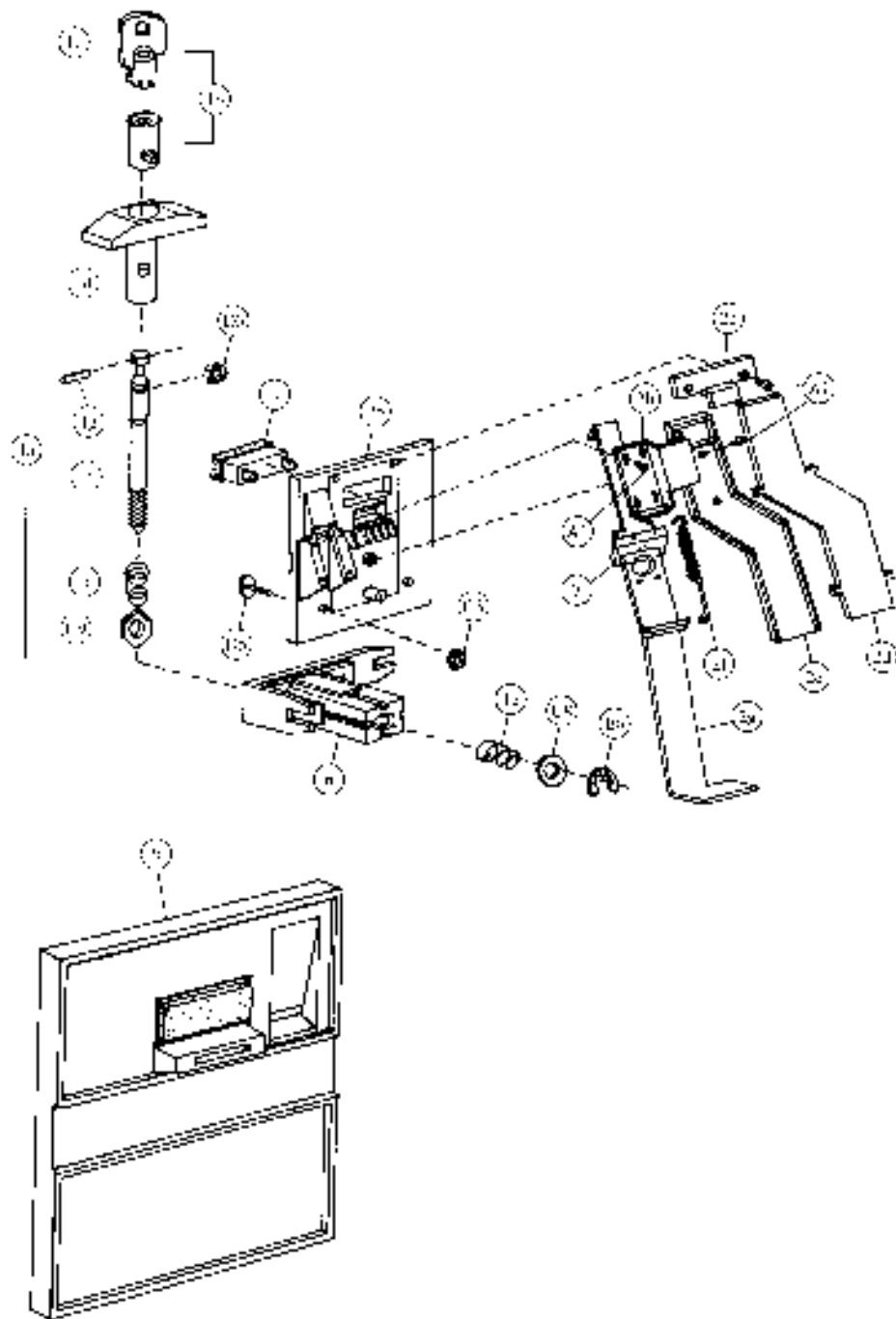


## Main Door - Interior - Pepsi (Magnum)

Item	Part Number	Part Name And Description
1	478,050,150.03	Discharge Member
2	801,806,480.11	Delivery Port (black frame)
3	172,050,300.83	Bumper Assembly
4	394,050,060.13	Center Door Stiffener
5	394,050,020.63	Delivery Port Stiffener
6	478,050,160.03	Closure Strip (not shown)
7	901,901,890.01	1" Clamp (not shown)
8	432,020,070.23	Ballast Plate
9	902,001,010.11	"U" Gasket
10a	397,050,100.03	Access Door Top Hinge, w/a
10b	360,050,680.13	Access Door Bottom Hinge, w/a
11a	360,052,300.03	Access Door Assembly
11b	360,050,290.83	Access Door
12	360,050,440.03	Access Door Latch
13a	360,050,270.13	Cash Box Chute
13b	360,050,260.03	Cash Box Chute Back
14	801,804,300.21	Hopper
15	360,051,100.03	Hopper Chute Assembly
16	900,500,261.11	Shoulder Screw (not shown)
17	360,050,700.33	Cash Box, w/a
18	399,050,210.13	Cash Box Shelf
19	804,902,610.01	4" Ground Wire (102mm) (not shown)
20	399,050,250.13	Changer Guard
21	169,051,101.63	Inner Door Bottom Hinge, w/a
22	901,803,710.01	Plastic Bearing
23	360,051,500.03	Change Cup Assembly
24	267,050,610.23	Change Cup Cover

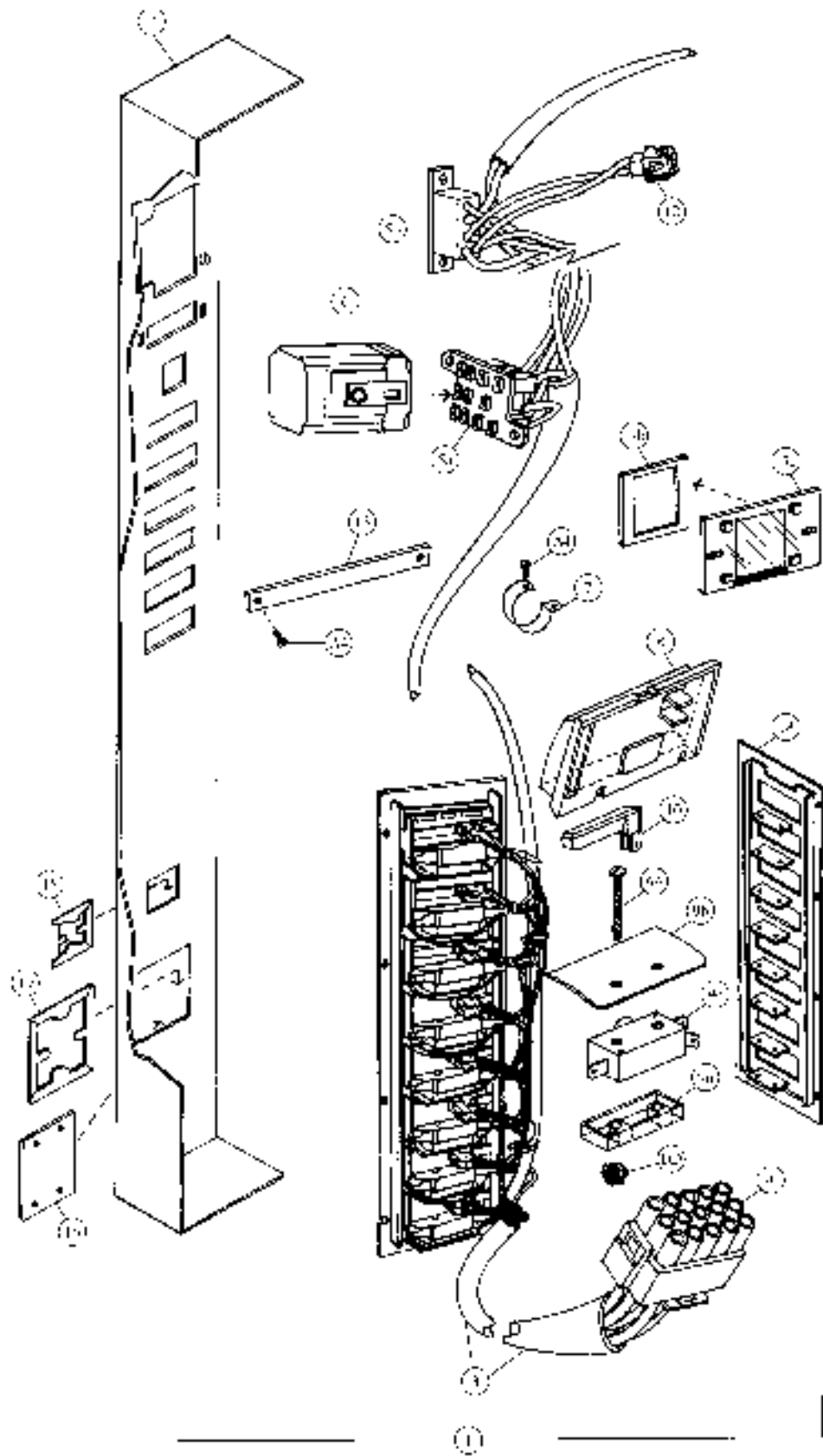
B6	900,301,650.01	Screw, Phil Pan (with washer) #8 - 18 x 1/2	(3)
C3	900,800,500.01	Keps Nut #8 - 32	
A4	900,301,500.01	Screw, Phil Pan (without washer) #8 - 18 x 1/2	(9)
D7	900,201,170.01	Carriage Bolt 1/4 - 20 x 1	(6)
C2	900,800,670.01	Keps Nut 1/4 x 20	(6)
A9	900,301,560.01	Sems Screw #8 - 32 x 1/2	
A5	900,301,970.01	Screw, Phil Pan #8 - 32 x 1/4	(3)
B4	900,201,140.01	Screw, Machine Truss #10 - 32 x 1/2	(2)
B9	900,800,650.01	Keps Nut #10 - 32 (not shown)	(2)

## Pull-Out Handle & Coin Insert - Pepsi (Magnum)





# Select Panel - Pepsi (Magnum)



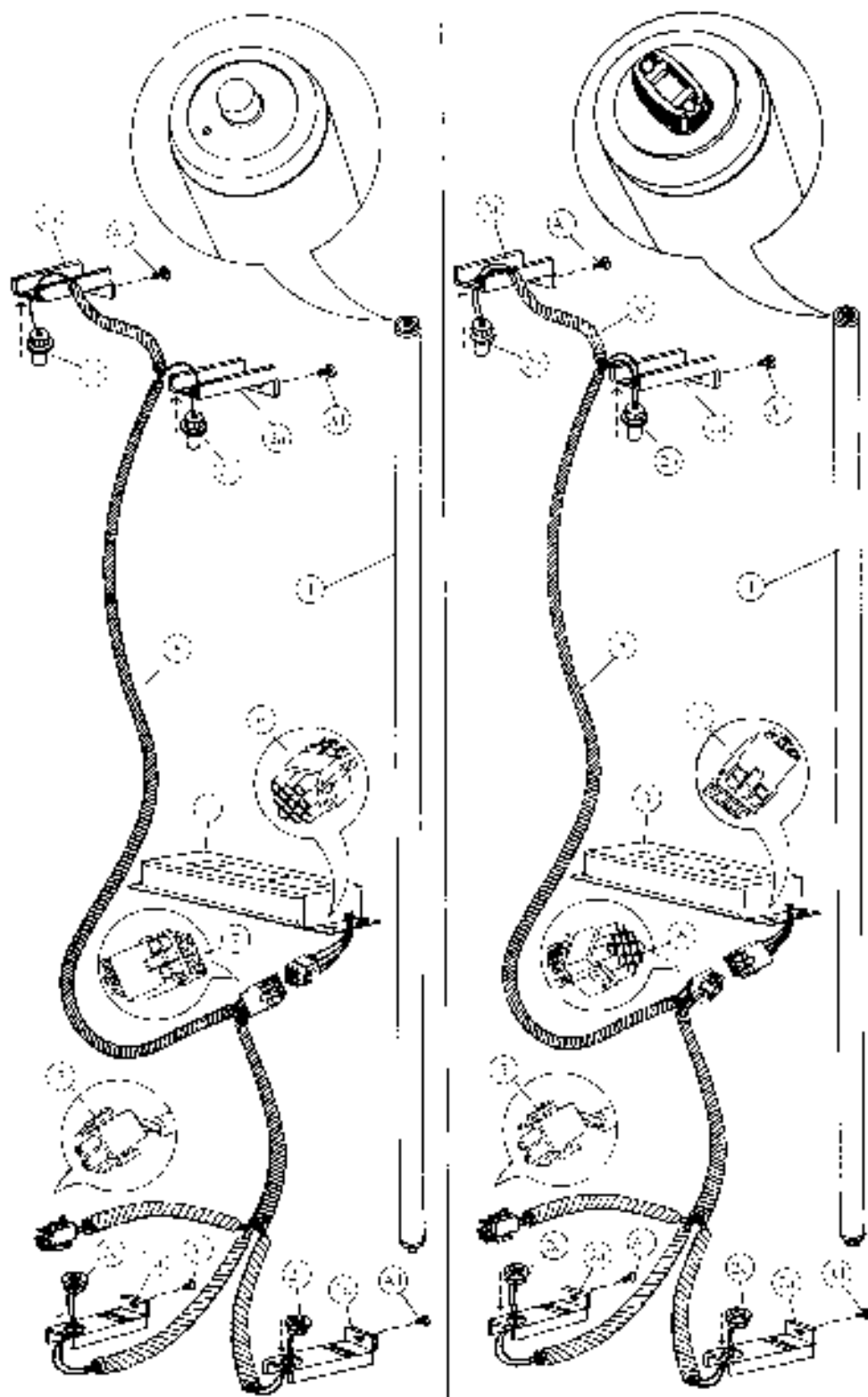


## Select Panel - Pepsi (Magnum)

Item	Part Number	Part Name And Description
1	397,050,500.03	Select Panel Assembly (specify harness)
2	397,050,300.03	Select Panel w/a
3	See list below	Door Harness (6 select)
	804,903,710.11	Single Price & Single Price - IEC Standard
	804,903,840.11	Two Price & Two Price - IEC Standard
	804,904,010.11	Four Price & Four Price - IEC Standard
4	904,600,830.01	15-Way Plug
5a	904,600,620.01	Socket, Relay
5b	904,600,600.01	Socket, Coin Changer
6	804,200,170.01	Vend Relay (single price only)
7	901,901,890.01	1" Clamp
8	801,805,110.01	Button (small rectangle)
9a	801,804,540.21	Button Stop
9b	801,804,620.11	Switch Shield & Spring, Mylar
9c	804,100,510.01	Select Switch (Citron A40)
10	804,700,210.01	Sold Out Lamp
11	Indicate Flavor	Flavor Cards (not shown)
12	904,600,700.01	2-Way Cap
13	360,050,580.03	Door Strap
15	801,303,600.01	Change Cup Bezel
16	360,010,180.13	Crown Puller Cover Plate
17a	801,804,550.11	Price Window
17b	902,001,000.21	Price Window Gasket
18	360,050,010.23	Back Select Panel
19	801,303,590.01	Crown Puller Bezel
20	360,050,550.13	Crown Catcher Support (not shown)
21	432,050,400.03	Crown Catcher (not shown)
22	455,010,030.23	Crown Catcher Box (not shown)
23	432,050,280.33	Crown Chute (not shown)
24	901,000,190.01	Crown Puller (not shown)

D0	900,800,490.01	Keys Nut #6 - 32	(12)
A4	900,301,500.01	Screw, Phil Pan #8 - 18 x 1/2	(7)
A9	900,301,560.01	Sems Screw #8 - 32 x 3/8	(7)
AA	900,201,310.01	Screw #6 - 32 x 1 1/4	(16)
C3	900,800,500.01	Keys Nut #8 - 32	(14)

## Lighting - Pepsi (Magnum)

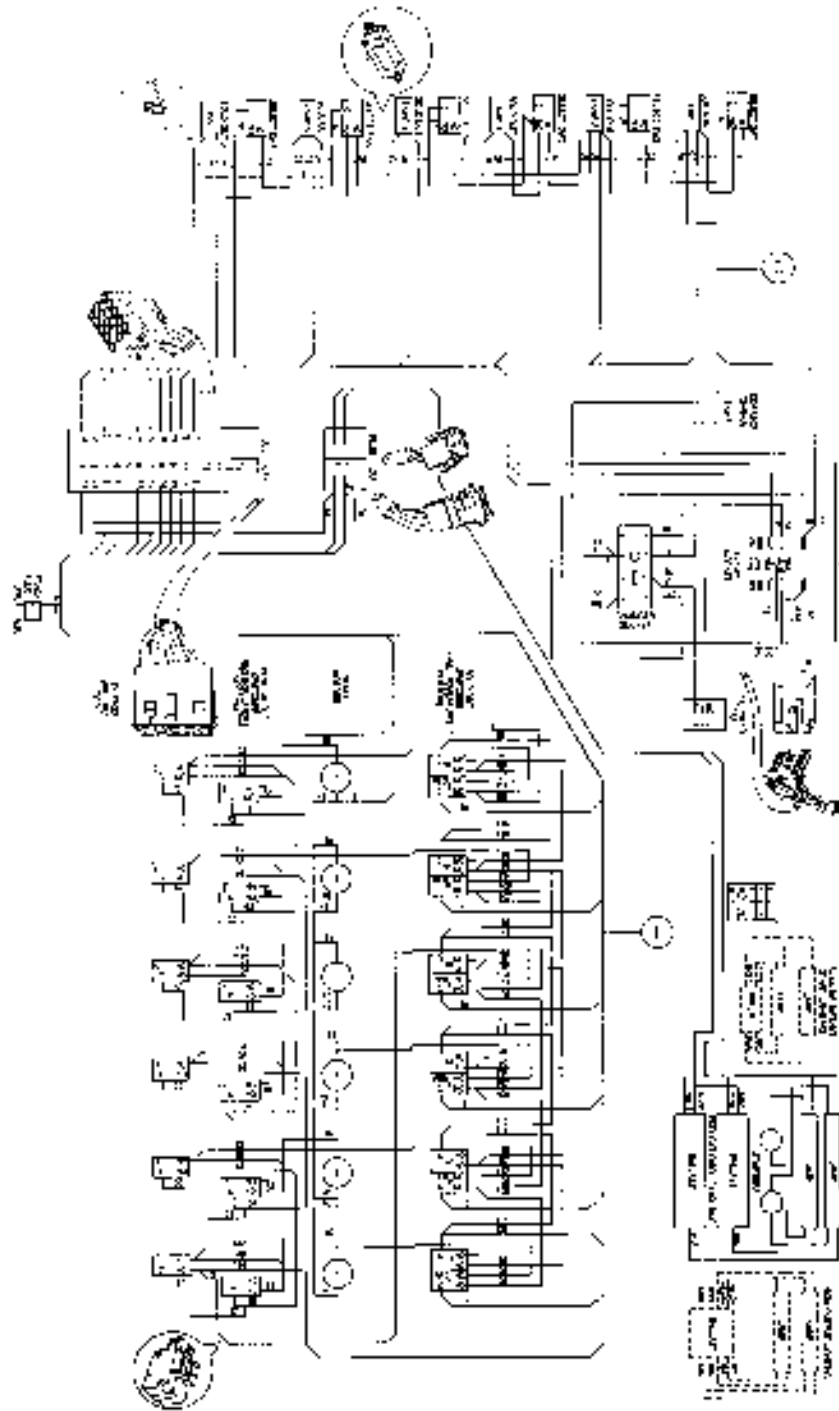


Slimluc

High-Output



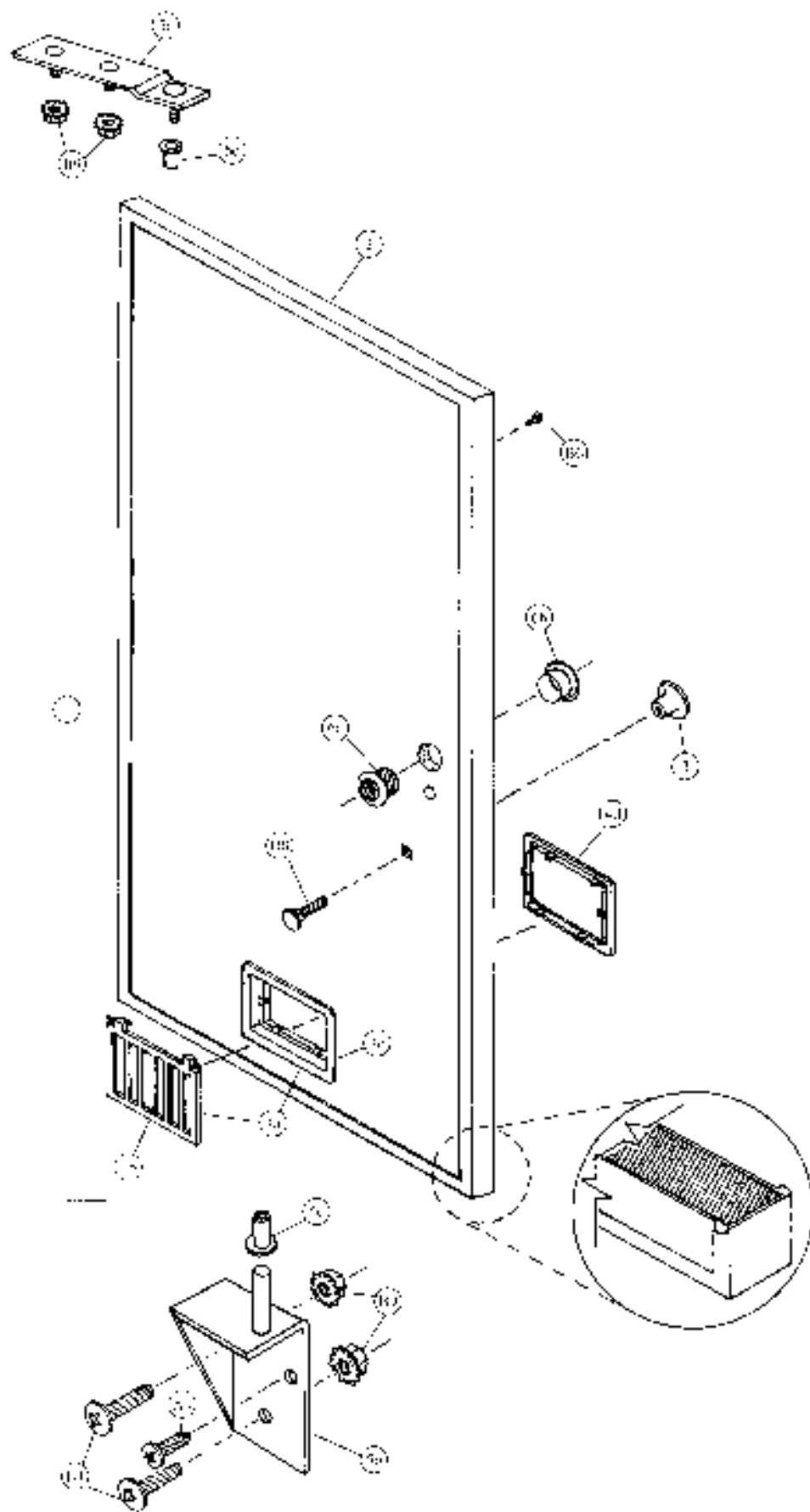
# Wiring Harness - Pepsi (Magnum)



Sample Diagram  
6 Column Dual Adaptable, Single Price



# Inner Door - Pepsi (Magnum)



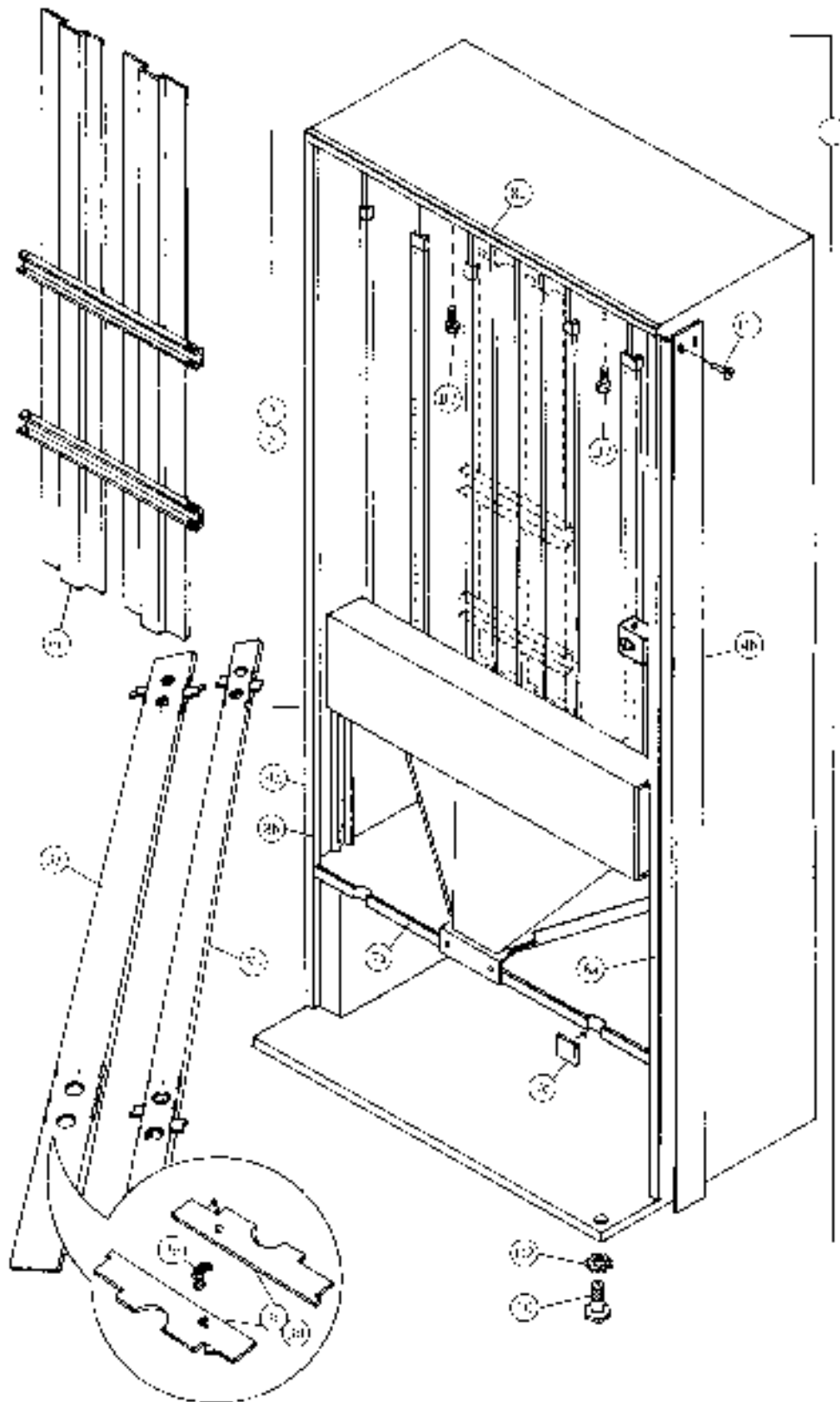








# Cabinet Interior - Pepsi (Magnum)



## Cabinet Interior - Pepsi (Magnum)

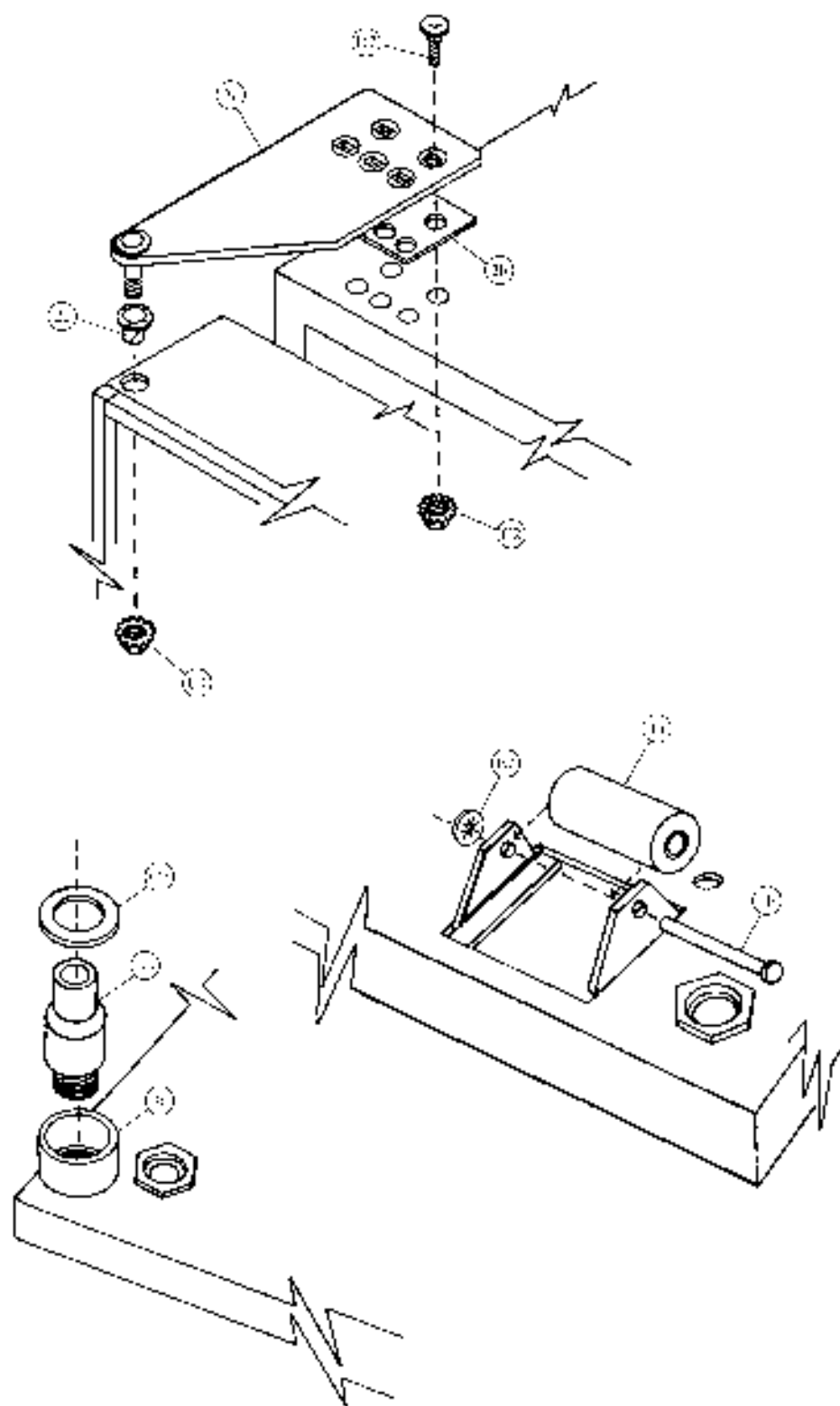
Item	Part Number	Part Name And Description	
1	495,000,700.03	Foam Cabinet Assembly	
2	See list below	Stack Assembly	(Specify Janness)
	504,070,000.03	Single Price	
	504,170,000.03	Two/Four Price	
3a	504,070,300.03	Rear Spacer Assembly, Wide Column	
3b	504,070,400.03	Rear Spacer Assembly, Narrow Column	
3c	267,070,080.53	Latch Finger, Long	
3d	267,070,210.43	Latch Finger, Short	
3e	901,700,690.01	Rear Spacer Spring	
4a	168,000,031.53	Protective Plate, LS Cabinet	(not shown)
4b	168,000,041.63	Protective Plate, RS Cabinet	
5	504,070,100.03	Sub Assembly Stack	
6a	504,070,200.03	Gate, w/a	
6b	491,071,000.03	Gate Hinge	(not shown)
6c	231,070,260.73	Gate Latch	(not shown)
7a	801,806,280.41	Mullion	
7b	801,303,830.01	Mullion Cover, Metal	(not shown)
7c	not applicable	Mullion Cover, Plastic	(obsolete)
8a	495,020,030.03	Breaker Strip, Right	
8b	495,020,040.03	Breaker Strip, Left	
8c	495,020,060.03	Breaker Strip, Top	
9	495,020,500.13	Ballast Plate - IEC Standard	(not shown)
10	900,502,490.71	Leveling Leg, 1/2"	(4)
11	491,070,020.13	Mounting Bracket, Rear	(not shown)
12	437,010,030.13	Rodent Guard, Narrow	(not shown)
	476,010,400.13	Rodent Guard, Narrow-IEC Standard	(not shown)
13	804,400,360.01	Transformer, Basler Isolation	(not shown)
14	804,902,170.11	Transformer, Jumper	(not shown)
16a	901,902,280.01	Heyco Wire Clip #3699	(not shown)
16b	900,901,590.01	Cable Clamp, Green	(not shown)
B7	900,302,010.01	Self-Tapping Screw 1/4 - 20 x 3/8	
E1a	901,100,430.01	Pop Rivet, 1/4"	(10)
B5	900,301,730.21	Self-Tapping Screw 1/4 - 20 x 1	(4)
E1b	901,100,440.01	Drive Rivet, 1/4"	(10)
D2	900,700,890.01	Lock Washer, 3/8"	
E2	901,100,520.01	Pop Rivet, 1/8"	



## Cabinet &amp; Vend Mechanism - Pepsi (Magnum)

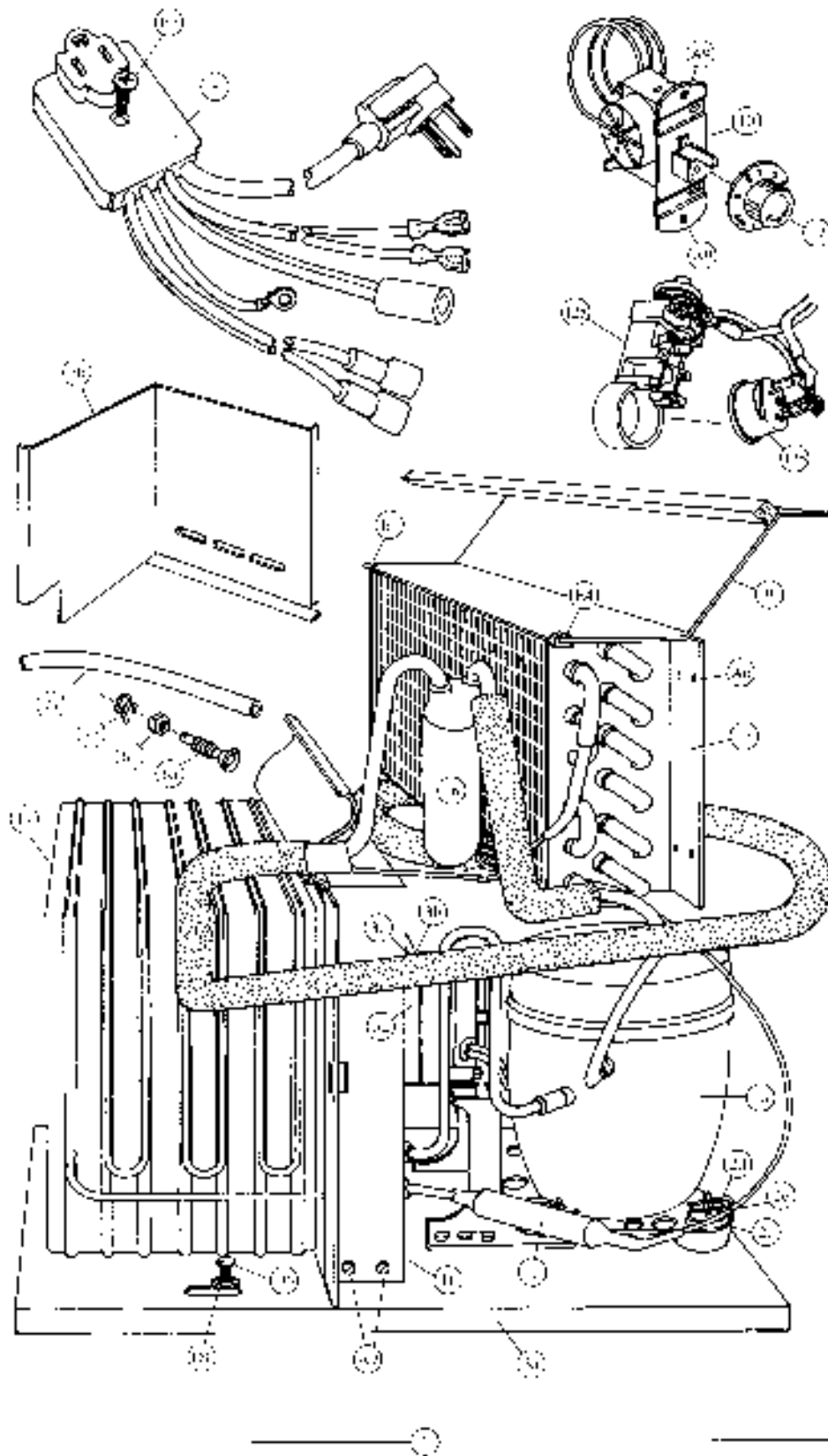
Item	Part Number	Part Name And Description
	493,70,010.03	Vend Motor Cover, Narrow
	445,070,000.03	Vend Motor Cover, Narrow - IEC Standard
1.	See list below	Vend Motor Assembly, Wide
	497,1070,300.03	Single Price
	497,170,100.03	Two/Four Price
2b	801,806,200.21	Vend Cam, Blue
3.	801,806,100.11	Adjustable Cam, Gold
3a	See list below	Vend Motor Assembly, Narrow
	491,670,400.03	Single Price
	497,170,200.03	Two/Four Price
4b	801,806,180.21	Vend Cam, Brown
3c	801,806,610.21	Adjustable Cam, Brown
4	See list below	Vend Motor Switch
	804,100,600.01	Single Price (Double Switch)
	804,100,500.01	Single Price - IEC Standard (Double Switch)
	804,100,700.01	Two/Four Price - IEC Standard (Triple Switch)
5	905,800,430.11	Vend Motor Switch Initiator
6	801,201,211.61	Vend Rotor - Narrow Column
7a	801,201,010.41	Vend Oscillator - Wide Column
7b	901,700,550.71	Can Retainer Oscillator
8a	801,803,170.01	Nyliner, Rear (not shown)
8b	901,804,230.01	Nyliner, Front - Wide Column only (not shown)
9	275,070,110.43	Wise Shield
10a.	804,100,610.01	Sold Out Switch Assembly
	804,100,680.01	Sold Out Switch Assembly - IEC Standard
10b	432,070,190.12	Sold Out Paddle
10c	801,700,740.01	Sold Out Paddle Spring
11	491,020,070.03	Mechanism Support
12	See list below	Evaporator Fan Motor Assembly
	491,500,200.03	115v
	491,140,400.03	220 - 240v
12b	See list below	Evaporator Fan Motor
	804,500,290.01	115v
	804,500,520.01	220 - 240v
13	164,040,080.73	Evaporator Fan Motor Bracket
12c	801,803,270.11	Evaporator Fan Blade
17c	932,100,290.01	Silencer
15a	468,170,100.03	Can Chute Assembly (includes 15b & 15c)
15b	468,170,010.13	Can Chute
15c	801,907,070.01	Chute Liner (Kydex)
15a	903,700,770.01	Drum Block
14b	169,000,170.83	Hinge Pocker Cover
15	176,072,110.13	Journal
C	900,901,510.02	Screw, Phil Pan Tapping
A3	900,201,870.01	Series Screw #10 - 32 x 3/8 (8)
A6	900,600,230.02	Sheet Metal Screw, Type "A"
B8	900,301,690.01	Hex Tap Screw #8 - 32 x 1/2 (3)
A8	900,301,520.02	Vend Motor Screw #4 x 1/4 - Double Switch (16)
	900,301,610.01	Vend Motor Screw #1 x 1/4 - Triple Switch
A9	900,301,240.01	Series Screw #8 - 32 x 3/8 (28)
E2	900,401,090.01	Grommet, Black Rubber #97 (3)
C7	900,800,850.01	Speed Nut
B1	900,201,850.01	Series Screw #8 - 32 x 3/8

## Hinges and Rollers - Pepsi (Magnum)





## Refrigeration - Pepsi (Magnum)





## Refrigeration - Pepsi (Magnum)

Item	Part Number	Part Name And Description	
1	Provide information listed	Complete Refrigeration System: Indicate unit model number from actual plate on unit base plate, refrigerant, voltage/hertz and country.	
2a	Provide information listed	Compressor & HP: Indicate compressor manufacturer, voltage/hertz, refrigerant and complete manufacturer's model number.	
2b	See list below 804,900,611-0	Compressor Lead Harness	(not shown)
	804,905,340-01	Ail, except IEC Standard	
		220-240v/50hz, IEC Standard	
3a	802,601,560-01	Compressor Mounting Grommet	
2d	901,901,860-01	Compressor Mounting Retainer Clip	
3c	901,801,910-01	Compressor Grommet Plug, Plastic	
4a	401,040,241-43	Condenser Base Plate	
7b	See list below 491,040,280-03	Condenser Fan Motor Assembly	
	491,140,480-03	115v	
		220-240v	
4	See list below 804,900,670-01	Condenser Fan Motor	
	804,900,700-01	115v	
		220-240v	
3c	802,103,270-02	Fan Base	(not shown)
4a	401,700,190-23	Drain Pan Assembly	(not shown)
4b	801,804,241-51	Drain Pan, Plastic	(not shown)
4c	905,300,690-01	Straker, Fiberglass	11-4 (not shown)
5a	401,040,070-33	Condenser Baffle, Right Side	(not shown)
5b	491,040,080-03	Condenser Baffle, Rear	
6a	801,806,060-1	Drain Tube	
6b	900,911,790-01	Drain Tube Nut	
7a	901,900,500-01	Drain Hose	
7b	900,901,030-01	Drain Hose Clamp	
8	See listing below 801,922,220-01 (a)	United States	(shown)
	804,905,480-01 (b)	Australia, IEC 335	
	804,905,480-01 (c)	United Kingdom, IEC 335	
	804,902,741-21 (d)	Europe	
	804,903,160-01 (e)	Mexico	
	801,925,150-01 (f)	Italy	
	801,905,470-01 (g)	Denish, IEC 335	
	804,905,360-01 (h)	Germany, Splashwater Protection	
9	1-53,040,011-13	Top Fan Housing	
10	807,600,410-01	Temperature Control	
11	491,040,110-03	Fan Surround Condenser	
12a	Provide information listed	Relay, Indicate compressor manufacturer, model # and voltage/hz	
12b	Provide information listed	Overload, Indicate compressor manufacturer, model # and voltage/hz	
13	802,401,260-01	Dryer	
14	802,601,560-01	Condenser	
15	807,600,370-51	Evaporator	
16	802,401,460-01	Accumulator	
17	802,800,420-01	Knob, Temperature Control	
26	900,600,290-07	Sheet Metal Screw, Type "A" (not shown)	(2)
29	900,901,290-01	Self Screw #8 - 3 1/2	(8)
33	900,301,810-01	Screw, #10 - 3/2 x 1/2	
34	900,200,290-01	Lockwasher, #7	(2)
61	900,901,890-01	Trimmer Clip	(2)
106	900,400,410-01	Refrigeration Bolt 1/2 - 5 x 1	(2)

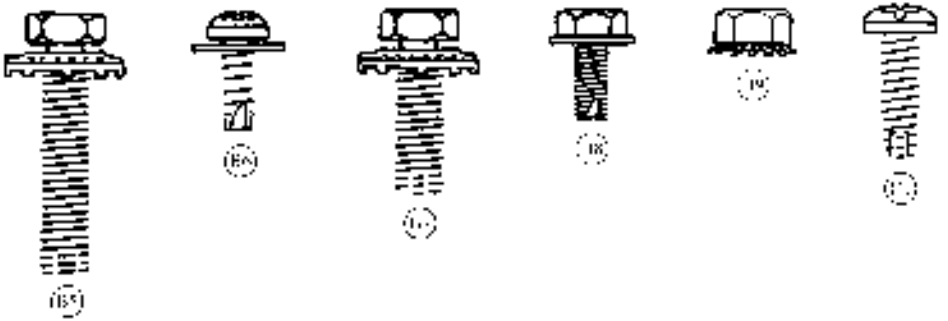
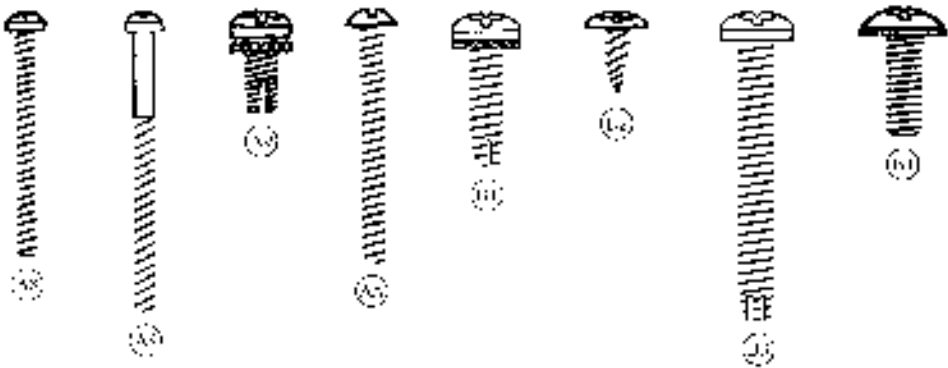
When Ordering Parts, Indicate Model # And Serial # Of Vendor.  
All Part Numbers And Prices Are Subject To Change Without Notice

Signs and Decals - Pepsi (Magnum)





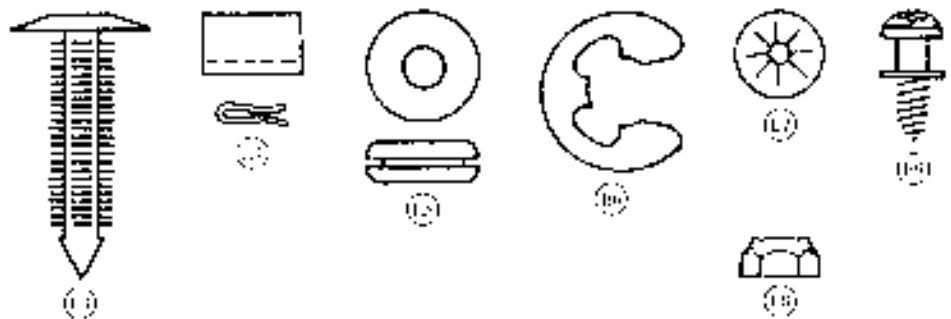
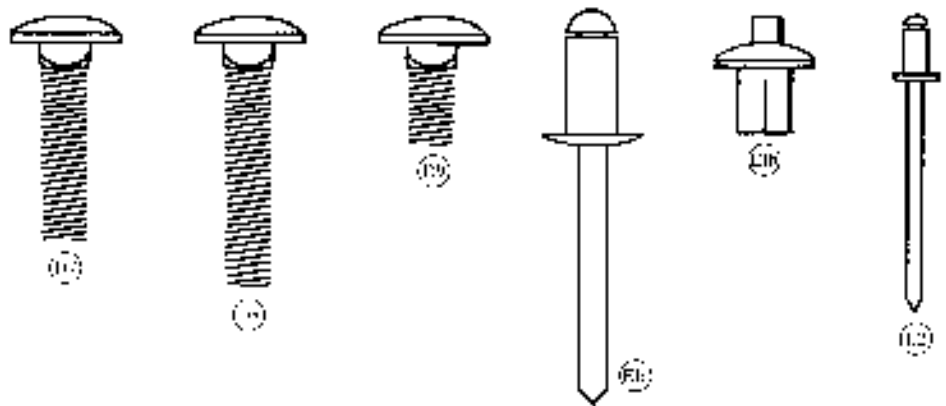
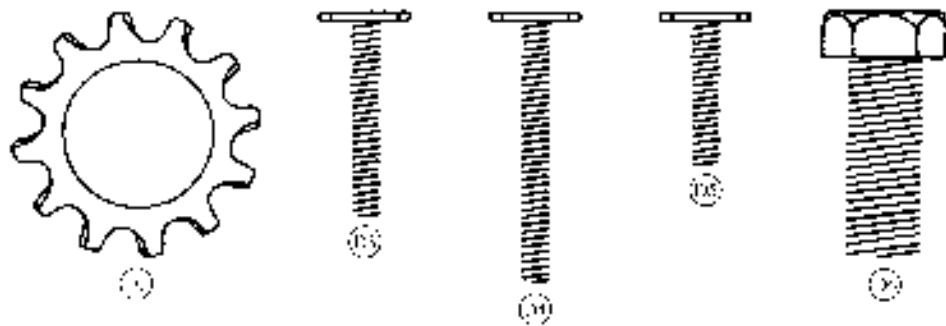
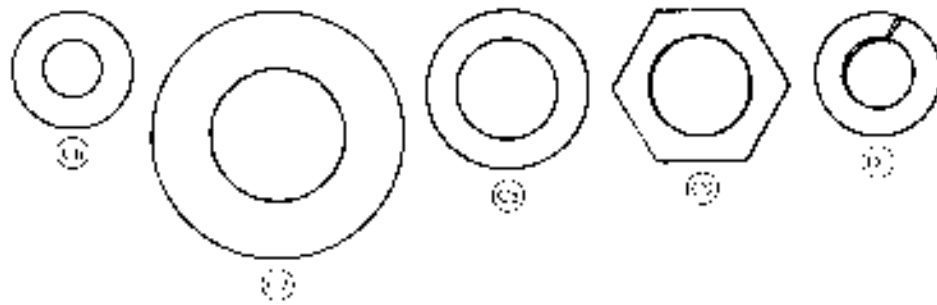
# Screws & Nuts - Pepsi (Magnum)



## Screws &amp; Nuts - Pepsi (Magnum)

Item	Part Number	Part Name And Description
A1	900,301,700.01	Sems Screw #6 - 32 x 1/8
A2	900,301,640.01	Sems Screw #8 - 32 x 1/8
A3	900,301,830.01	Screw, Phil Pan #10 - 32 x 3/16
A4	900,301,500.01	Screw, Phil Pan (without washer) #8 - 18 x 1/2
A5	900,301,970.01	Screw, Phil Pan #8 - 32 x 1/4
A6	900,600,230.02	Sheet Metal Screw, Type "A"
A7	900,300,470.01	Screw, Phil Pan #4 x 3/8
A8	900,301,820.01	Vend Motor Screw #4 x 1 1/2
	900,301,610.01	Vend Motor Screw #4 x 1 1/2
A9	900,301,560.01	Sems Screw #8 - 32 x 3/8
AA	900,201,310.01	Machine Screw #6 - 32 x 1 1/4
AB	900,301,960.01	Sems Screw #8 - 32 x 1/4 (not shown)
B1	900,301,850.01	Sems Screw #8 - 32 x 3/8
B2	900,301,160.01	Sems Screw #6 x 3/8
B3	900,301,810.01	Screw #10 - 32 x 1 1/2
B4	900,201,140.01	Screw, Machine Truss #10 - 32 x 1 1/2
B5	900,301,730.21	Self-Tapping Screw 1/4 - 20 x 1
B6	900,301,650.01	Screw, Phil Pan (with washer) #8 - 18 x 1/2
B7	900,302,010.01	Self-Tapping Screw 1/4 - 20 x 3/8
B8	900,301,690.01	Screw, Hex Tap #8 - 32 x 3/8
B9	900,800,650.01	Keps Nut #10 - 32
C1	900,901,510.02	Screw, Phil Pan Tapping
C2	900,800,670.01	Keps Nut 1/4 - 20
C3	900,800,500.01	Keps Nut #8 - 32
C4	900,800,690.01	Keps Nut (Top Door Hinge) 3/8 - 16
C5	900,800,850.01	Speed Nut
CC	900,201,220.11	Machine Screw #8 - 32 x 3/4
DD	900,800,490.01	Keps Nut #6 - 32

# Washers, Bolts & Misc. - Pepsi (Magnum)



## Washers, Bolts &amp; Misc. - Pepsi (Magnum)

Item	Part Number	Part Name And Description
C6	900,700,600.01	Washer, Flat
C7	901,303,770.01	Washer, Hinge
C8	901,503,060.01	Washer, Flat (T-Handle)
C9	901,503,080.01	Washer, Hex (T-Handle)
D1	900,700,360.01	Lockwasher, 3/8"
D2	900,700,890.01	Lockwasher, 5/8"
D3	900,400,430.01	T Bolt #8 - 32 x 1
D4	900,400,410.01	T Bolt #8 - 32 x 1 1/8
D5	900,400,350.31	T-Bolt # 8 - 32 x 3/4
D6	900,400,440.01	Refrigeration Bolt 1/2 - 16 x 1
D7	900,201,170.01	Carriage Bolt 1/4 - 20 x 1
D8	900,201,230.11	Carriage Bolt 1/4 - 20 x 1 1/2
D9	900,201,450.01	Carriage Bolt 1/4 - 20 x 1/2
E1a	901,100,430.01	Pop Rivet 1/4"
E1b	901,100,440.01	Drive Rivet 1/8"
E2	901,100,520.01	Pop Rivet 1/2"
E3	900,902,130.01	Christmas Tree Clip
E4	900,901,890.01	Tinnerman Clip
E5	900,401,090.01	Grommet, Black Rubber #97
E6	901,503,070.01	E Ring
E7	900,900,900.01	Retainer
E8	900,800,510.01	Elastic Stop Nut #8 - 32
F9	900,301,980.01	Phil Pan Shoulder Screw #8 - 18 x 1 1/2