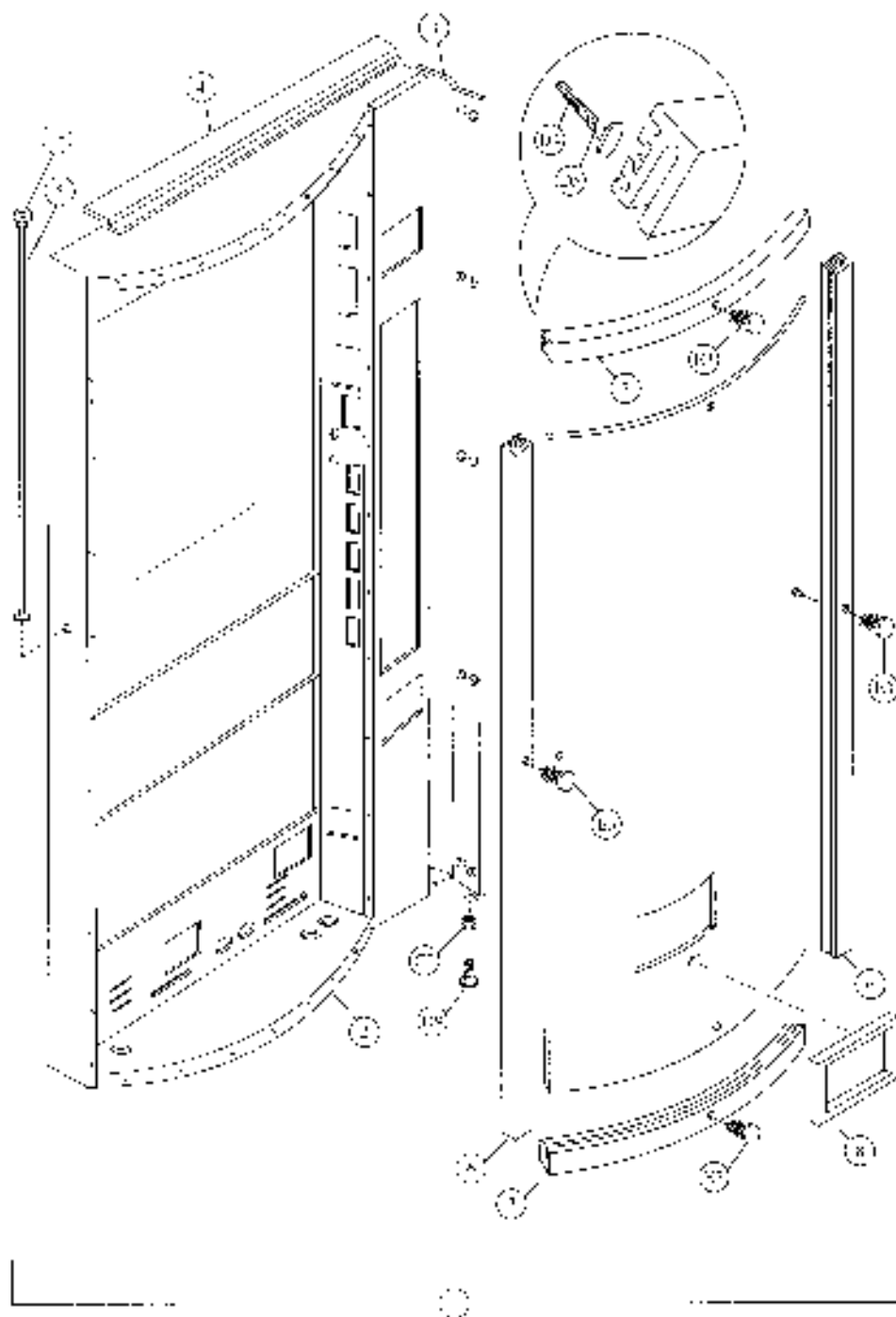




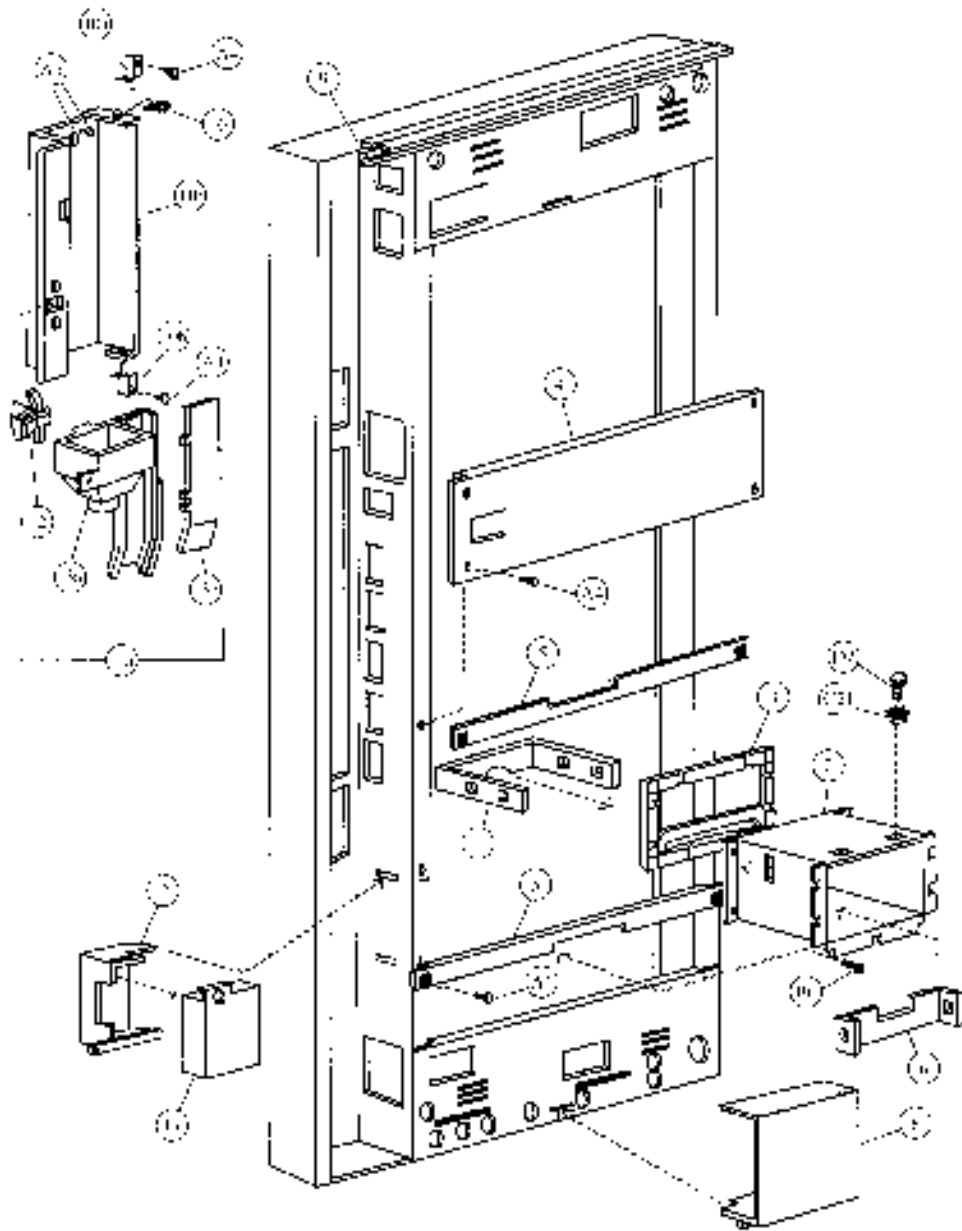
Pepsi (Magnum Cir.) DNCB 168MC

| | |
|---|---|
| Dimensions | 56 1/2" H x 28 1/2" W x 30 1/2" D (1438mm H x 719mm W x 775mm D) |
| Dimensions Less Door | 56 1/2" H x 28 1/2" W x 27 1/2" D (1438mm H x 719mm W x 695mm D) |
| Approximate Weight | 461 lbs. (211kg) |
| Sections/Columns | 6/6 |
| Total 12 oz. (330ml) Cans Capacity/Year | 174162 |
| Column Capacity 12 oz. (330ml) Cans | 3 Single Columns - 20 Each 3 Double Columns - 38 Each |

Main Door - Exterior - Pepsi (Magnum Circular)



Main Door - Interior - Pepsi (Magnum Circular)

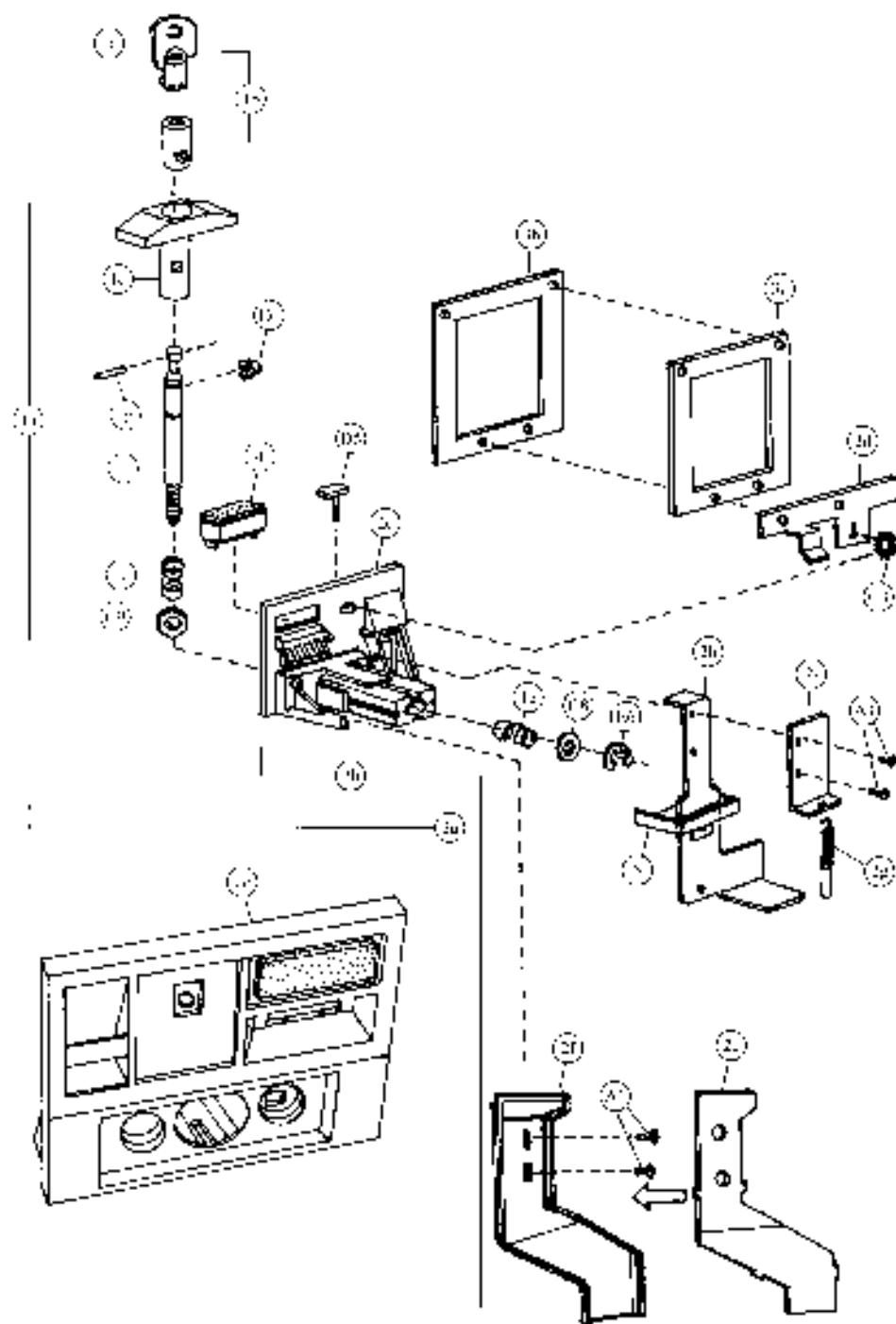


Main Door - Interior - Pepsi (Magnum Circular)

| Item | Part Number | Part Name And Description |
|------|----------------|-------------------------------|
| 1 | 435,050,110.03 | Discharge Member |
| 2 | 435,050,400.03 | Delivery Port (black frame) |
| 3 | 801,805,680.01 | Port Spacer |
| 4 | 456,050,060.13 | Center Door Stiffener |
| 5 | 394,050,020.63 | Delivery Port Stiffener |
| 6 | 432,010,510.13 | Closure Strip |
| 7 | 901,901,890.01 | 1" Clamp (not shown) |
| 8 | 432,050,660.03 | Cover Wire Plug |
| 9 | 900,600,540.01 | L-Profile Gasket |
| 10a | 432,051,000.03 | Access Door Top Hinge, w/a |
| 10b | 432,051,101.63 | Access Door Bottom Hinge, w/a |
| 11a | 491,050,600.03 | Access Door Assembly |
| 11b | 432,150,030.43 | Access Door |
| 12 | 901,902,130.11 | Access Door Latch |
| 13a | 801,806,580.51 | Coin Hopper and Chute |
| 13b | 801,806,590.11 | Coin Chute Front |
| 14 | 432,051,800.13 | Cash Box, w/a |
| 15 | 432,050,181.43 | Cash Box Shelf |
| 16 | 804,902,610.01 | 4" Ground Wire (102mm) |
| | | |
| | | |
| | | |
| | | |
| | | |
| | | |
| | | |
| | | |
| | | |
| | | |
| | | |
| | | |
| | | |
| | | |
| | | |
| | | |
| | | |
| | | |

| | | |
|----|----------------|--|
| B6 | 900,301,650.01 | Screw, Phil Pan (with washer) #8 - 18 x 1/2 (3) |
| C3 | 900,800,500.01 | Keps Nut #8 - 32 |
| A4 | 900,301,500.01 | Screw, Phil Pan (without washer) #8 - 18 x 1/2 (9) |
| D7 | 900,201,170.01 | Carriage Bolt 1/4 - 20 x 1 (6) |
| C2 | 900,800,670.01 | Keps Nut 1/4 x 20 (6) |
| A9 | 900,301,560.01 | Sems Screw #8 - 32 x 1/4 |
| A5 | 900,301,970.01 | Screw, Phil Pan #8 - 32 x 1/4 (3) |
| B4 | 900,201,140.01 | Screw, Machine Truss #10 - 32 x 1/2 (2) |
| B9 | 900,800,650.01 | Keps Nut #10 - 32 (not shown) (2) |

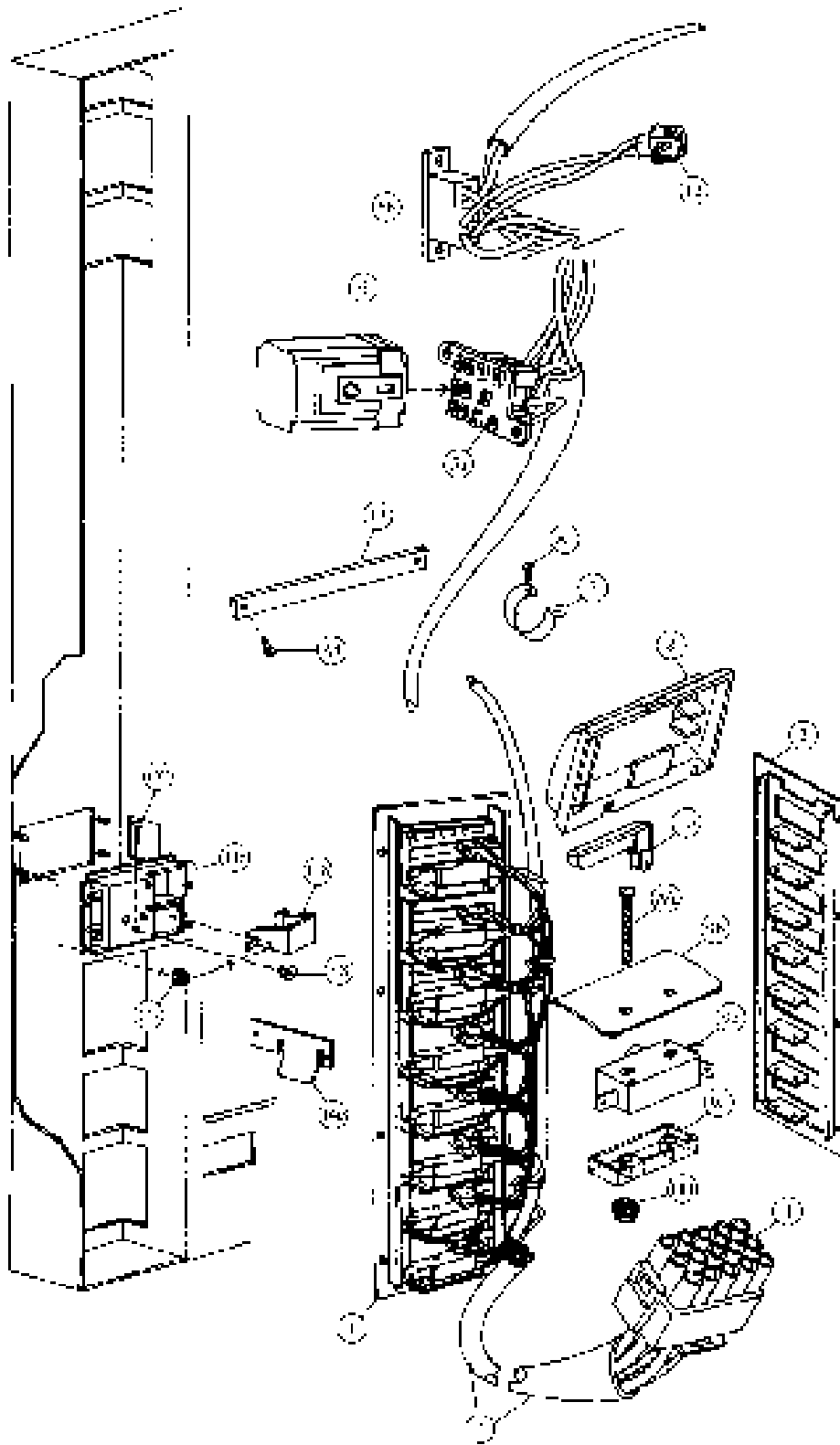
Pull-Out Handle & Coin Insert - Pepsi (Magnum Circular)



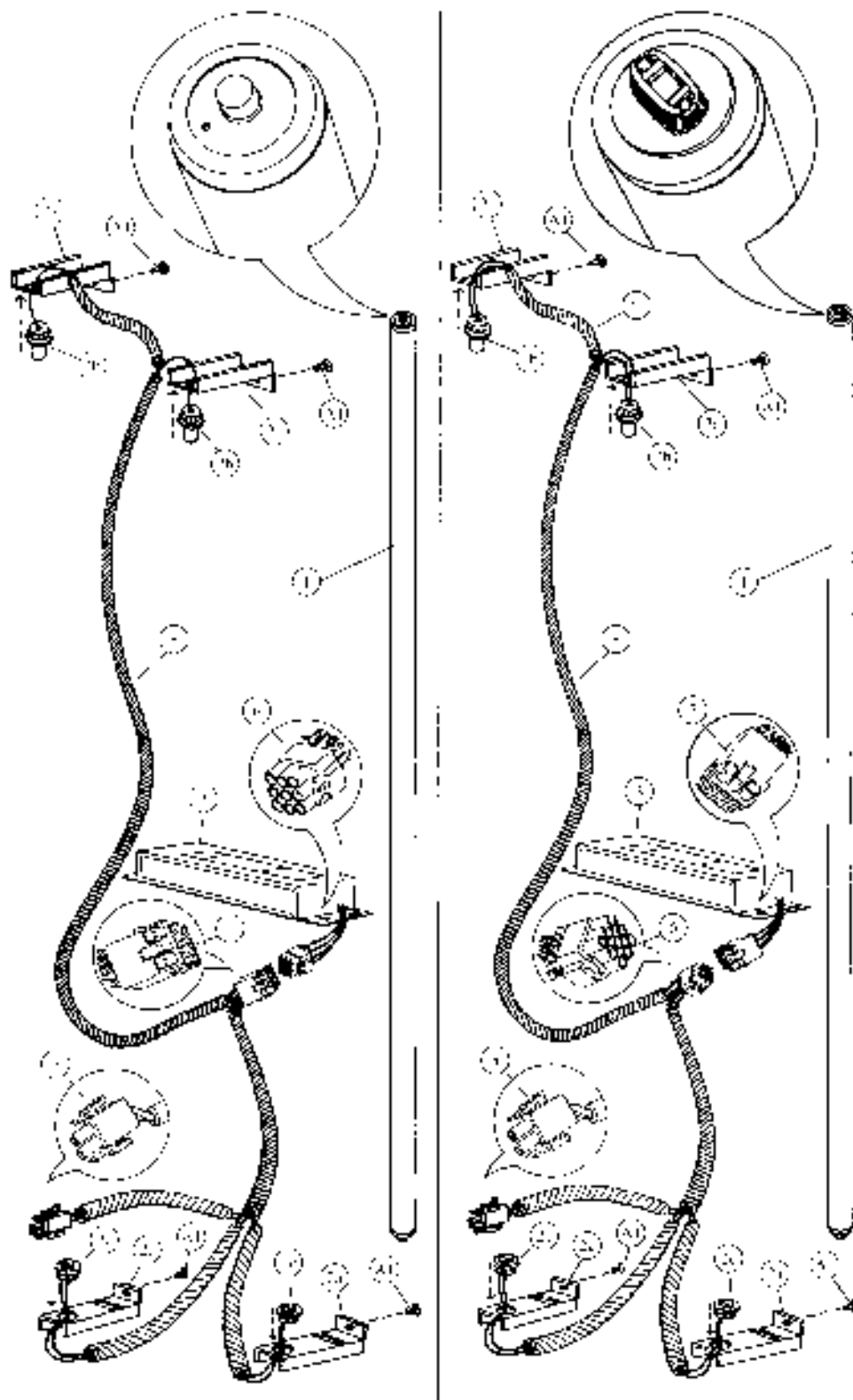
Pull-Out Handle & Coin Insert - Pepsi (Magnum Circular)

| Item | Part Number | Part Name And Description |
|------|----------------------------------|--|
| a | 801,503,040,01 | T-Handle Assembly |
| b | Specify key number: | Lock with Two Keys |
| c | Specify key number: | Key Only |
| d | 801,503,730,01 | Handle Only |
| e | 901,503,050,01 | Spring |
| f | 4255-6-14W | Stud |
| g | 901,503,090,11 | Cross Pin |
| h | See list below 480,150,500,04 | Coin Insert Assembly with T Handle Domestic (USA & Canada) |
| i | See list below 480,150,500,03 | Coin Insert Assembly without T Handle Domestic (USA & Canada) |
| | 480,250,500,05 | Export (all others except listed below) |
| | 480,150,500,09 | Mexico |
| | 480,650,500,07 | Argentina - Token |
| j | See list below | Coin Insert |
| | 801,201,180,11 | Domestic (USA & Canada) |
| | 801,201,190,11 | Export (all others except listed below) |
| | 801,201,290,11 | Mexico |
| | 801,201,350,11 | Argentina - Token |
| k | 506,500,020,12 | Coin Insert Retainer |
| l | 801,805,800,11 | Coin Chute Cover |
| m | 801,805,790,11 | Coin Chute |
| n | 901,700,630,11 | Spring Extension |
| o | 455,050,800,05 | Coin Return Plunger Assembly |
| p | 412,050,570,11 | Plunger Bracket |
| q | 360,050,720,53 | Validator Plate |
| r | 902,001,110,11 | Gasket Validator (black) |
| s | See list below | Correct Change Lamp |
| | 904,700,180,11 | English "Use Correct Change" |
| | 804,700,500,01 | English, ITC Standard "Use Correct Change" |
| | 804,700,440,01 | Spanish "Importe Exacto" |
| | 804,700,450,01 | French "Faîtes L'Appoint" |
| | 804,700,400,01 | Italian "Usare Monete Corrette" |
| | 804,700,470,01 | Arabic "Laufar Para Aniz" |
| | 804,700,380,01 | German "Abgezahltes Geld Verwenden" |
| | 904,700,490,01 | Portuguese "Introduza Quanta Exacta" |
| t | 804,800,080,01 | Drip Chute |
| u | | |
| v | | |
| w | | |
| x | | |
| y | | |
| z | | |
| 12 | 801,503,070,01 | E-Ring |
| 13 | 801,503,060,01 | Flat Washer |
| 14 | 901,503,080,01 | Hex Washer |
| A | 900,911,750,01 | Hex Screw #6 - 1/2 x 3/8 (4) |
| C3 | 900,800,500,01 | Keys No. #8 - 32 (1) |
| D3 | 900,500,350,11 | T-Bolt #8 - 1/2 x 3/4 |

Select Panel - Pepsi (Magnum Circular)



Lighting - Pepsi (Magnum Circular)



Slimline

High-Output

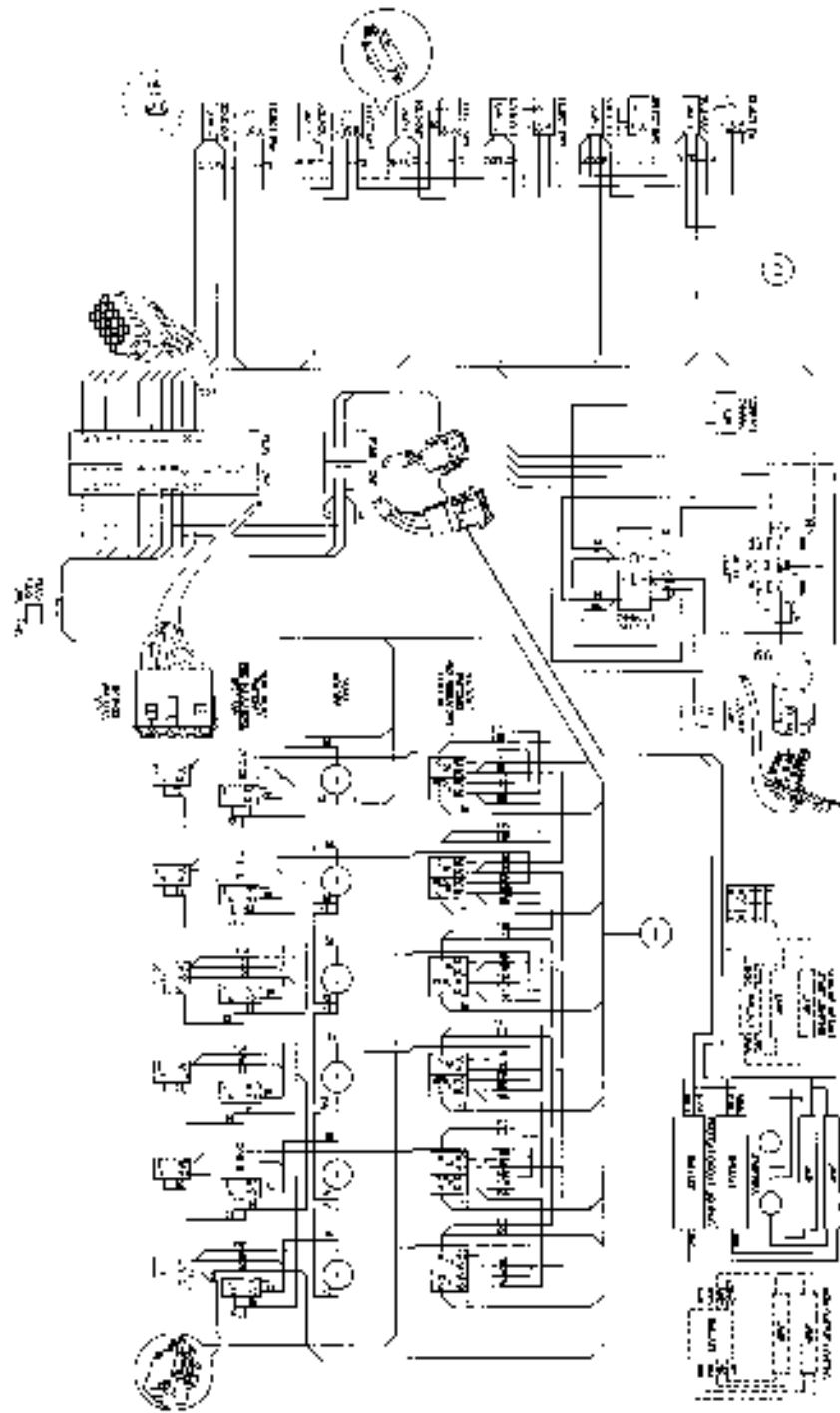
Lighting - Pepsi (Magnum Circular)

| Item | Part Number | Part Name And Description |
|----------------------|----------------|---|
| High Output Lighting | | |
| 1 | 804,700,390.01 | Fluorescent Bulb - F48T/HO |
| 2a | 432,050,380.63 | Door Bracket Lamp Socket |
| 2b | 804,901,990.01 | Top Lamp Holders - 523 |
| 2c | 804,902,000.01 | Bottom Lamp Holders - 524 |
| 3 | 804,400,380.01 | Plug-In Ballast, Advance #VSM/HO |
| 4 | 904,800,520.01 | Connector, Electrical (scotchlock 557)(not shown) |
| 5 | 904,600,710.01 | 2-Way Plug |
| 6 | 904,600,670.01 | 9-Way Plug |
| 7 | 904,600,660.01 | 9 Way Cap |
| 8 | 804,904,510.21 | Plug-In Ballast Harness, High Output |
| 9 | 804,904,920.21 | Lamp Fixture Jumper, High Output |
| | | |
| | | |
| | | |
| | | |
| | | |
| | | |

| | | |
|-------------------|----------------|---|
| Slimline Lighting | | |
| 1 | 804,700,330.01 | Fluorescent Bulb - F48 Slimline |
| 2a | 432,050,380.63 | Door Bracket Lamp Socket |
| 2b | 804,902,020.01 | Top Lamp Holders - 516 |
| 2c | 804,902,030.01 | Bottom Lamp Holders - 517 |
| 3 | 804,400,390.01 | Plug-In Ballast, Slimline |
| 4 | 904,800,520.01 | Connector, Electrical (scotchlock 557)(not shown) |
| 5 | 904,600,710.01 | 2 Way Plug |
| 6 | 904,600,670.01 | 9-Way Plug |
| 7 | 904,600,660.01 | 9-Way Cap |
| 8 | 804,904,600.51 | Plug-In Ballast Harness, Slimline |
| | | |
| | | |
| | | |
| | | |
| | | |

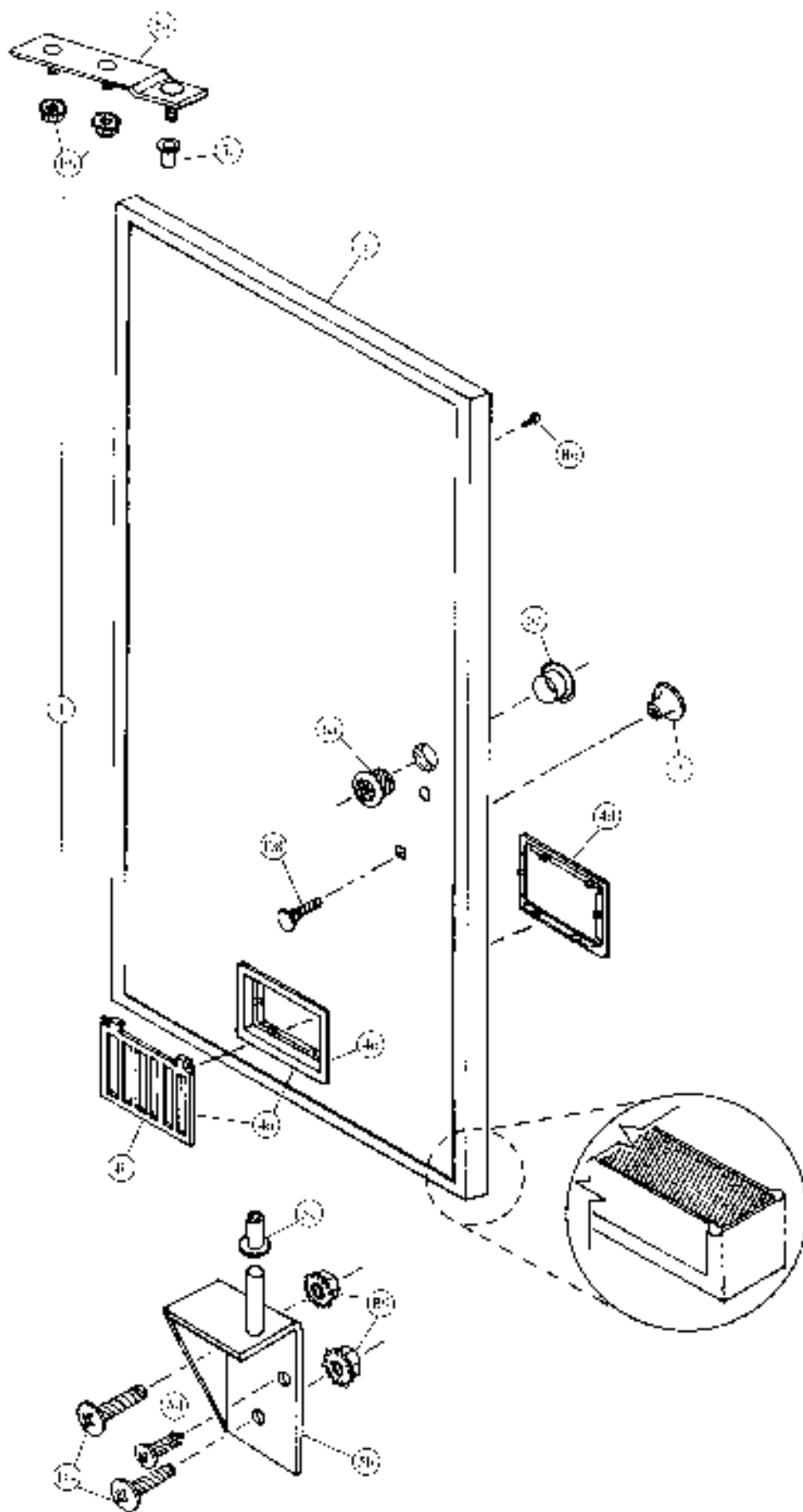
| | | | |
|----|----------------|---------------------------------|-----|
| A1 | 900,301,700.01 | Sheet Metal Screw #6 - 32 x 1/2 | (4) |
|----|----------------|---------------------------------|-----|

Wiring Harness - Pepsi (Magnum Circular)

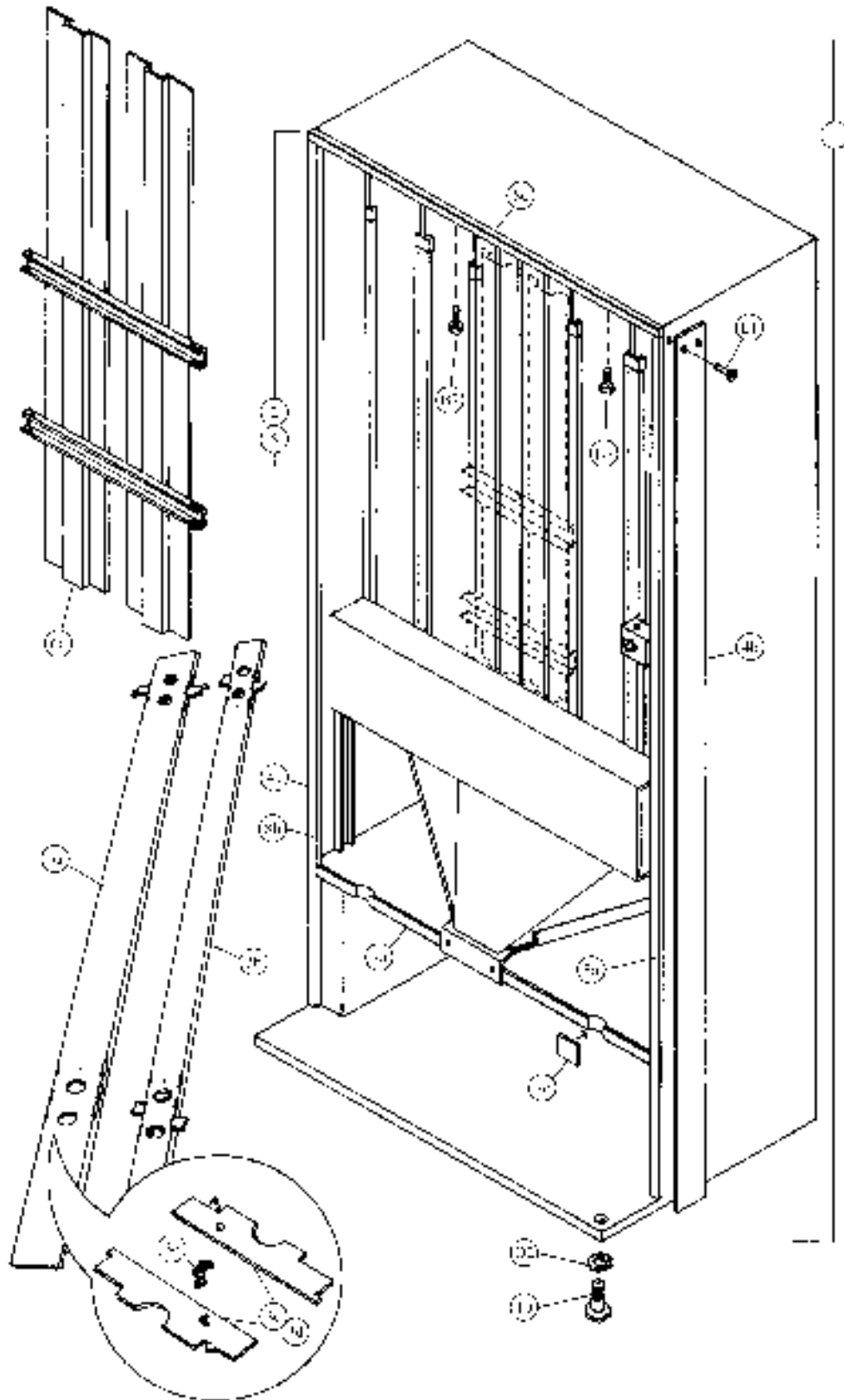


Sample Diagram
6 Column Dual Adaptable, Single Price

Inner Door - Pepsi (Magnum Circular)



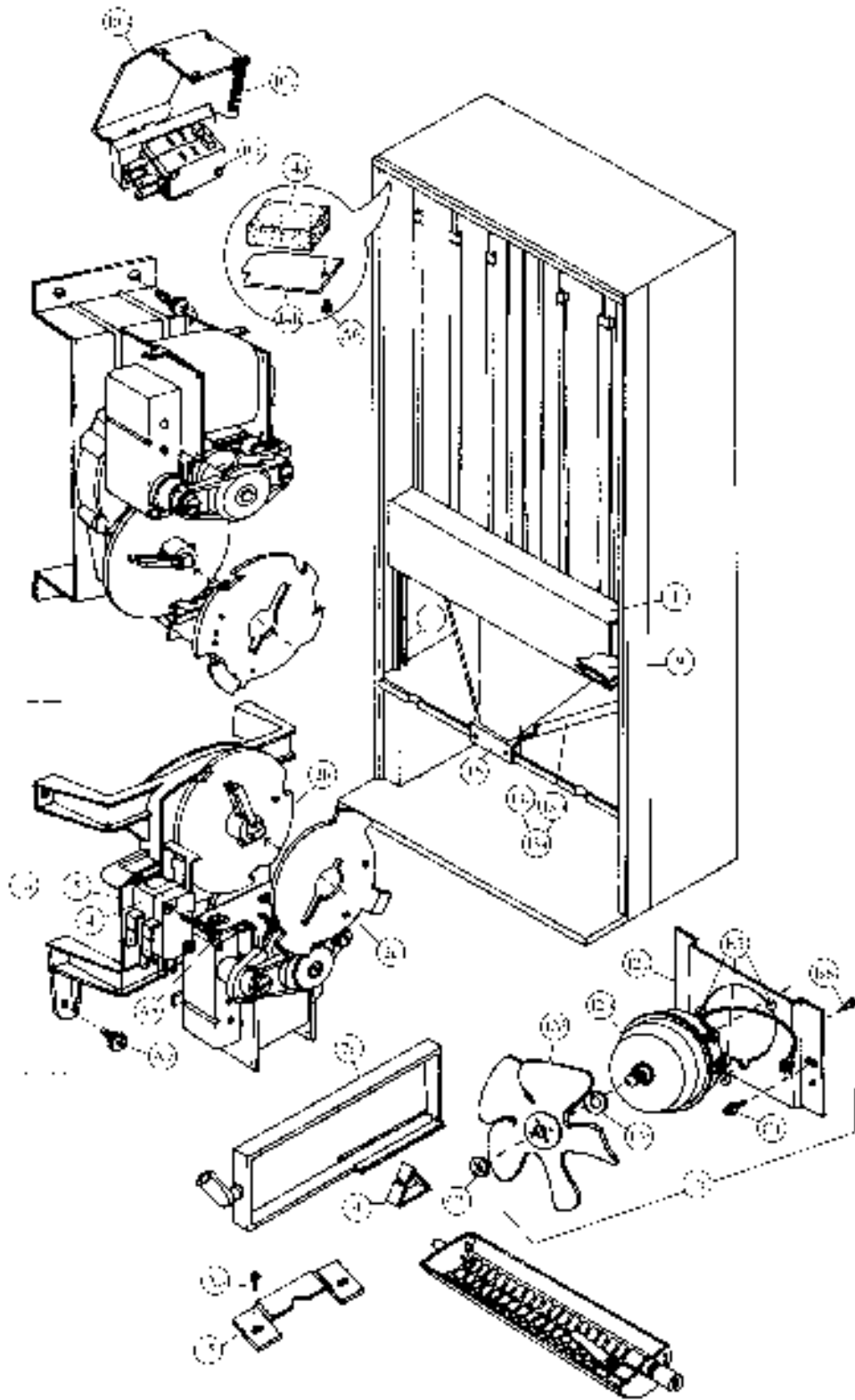
Cabinet Interior - Pepsi (Magnum Circular)



Cabinet Interior - Pepsi (Magnum Circular)

| Item | Part Number | Part Name And Description | |
|------|----------------|-------------------------------------|-------------------|
| 1 | 495,000,700.03 | Foam Cabinet Assembly | |
| 2 | See list below | Stack Assembly | (specify harness) |
| | 504,070,000.03 | Single Price | |
| | 504,170,000.03 | Two/Four Price | |
| 3a | 504,070,300.03 | Rear Spacer Assembly, Wide Column | |
| 3b | 504,070,400.03 | Rear Spacer Assembly, Narrow Column | |
| 7c | 267,070,080.53 | Latch Finger, Long | |
| 3d | 267,070,210.43 | Latch Finger, Short | |
| 3e | 901,700,690.01 | Rear Spacer Spring | |
| 4a | 168,000,031.53 | Protective Plate, LS Cabinet | (not shown) |
| 4b | 168,000,041.63 | Protective Plate, RS Cabinet | |
| 5 | 504,070,100.03 | Sub Assembly Stack | |
| 6a | 504,070,200.03 | Gate, w/a | |
| 6h | 491,071,000.03 | Gate Hinge | (not shown) |
| 6c | 231,070,260.73 | Gate Latch | (not shown) |
| 7a | 801,806,280.41 | Mullion | |
| 7b | 801,303,830.01 | Mullion Cover, Metal | (not shown) |
| 7c | not applicable | Mullion Cover, Plastic | (obsolete) |
| 8a | 495,020,030.03 | Breaker Strip, Right | |
| 8b | 495,020,040.03 | Breaker Strip, Left | |
| 8c | 493,020,060.03 | Breaker Strip, Top | |
| 9 | 432,020,070.23 | Ballast Plate | (not shown) |
| | 495,020,500.13 | Ballast Plate - IFC Standard | (not shown) |
| 10 | 900,502,490.71 | Leveling Leg, 3/8" | (4) |
| 11 | 491,070,020.13 | Mounting Bracket, Rear | (not shown) |
| 12 | 437,010,030.13 | Rodent Guard, Narrow | (not shown) |
| | 476,010,400.13 | Rodent Guard, Narrow-IFC Standard | (not shown) |
| 13 | 804,400,360.01 | Transformer, Busler Isolation | (not shown) |
| 14 | 804,902,170.11 | Transformer, Jumper | (not shown) |
| 16a | 901,902,280.01 | Heyco Wire Clip #3699 | (not shown) |
| 16b | 900,901,590.01 | Cable Clamp, Green | (not shown) |
| B7 | 900,302,010.01 | Self-Tapping Screw 1/4 - 20 x 3/4 | |
| E1a | 901,100,430.01 | Pop Rivet, 1/4" | (10) |
| B5 | 900,301,730.21 | Self-Tapping Screw 1/4 - 20 x 1 | (4) |
| F1h | 901,100,440.01 | Drive Rivet, 1/4" | (10) |
| D2 | 900,700,890.01 | Lock Washer, 5/8" | |
| E2 | 901,100,520.01 | Pop Rivet, 1/8" | |

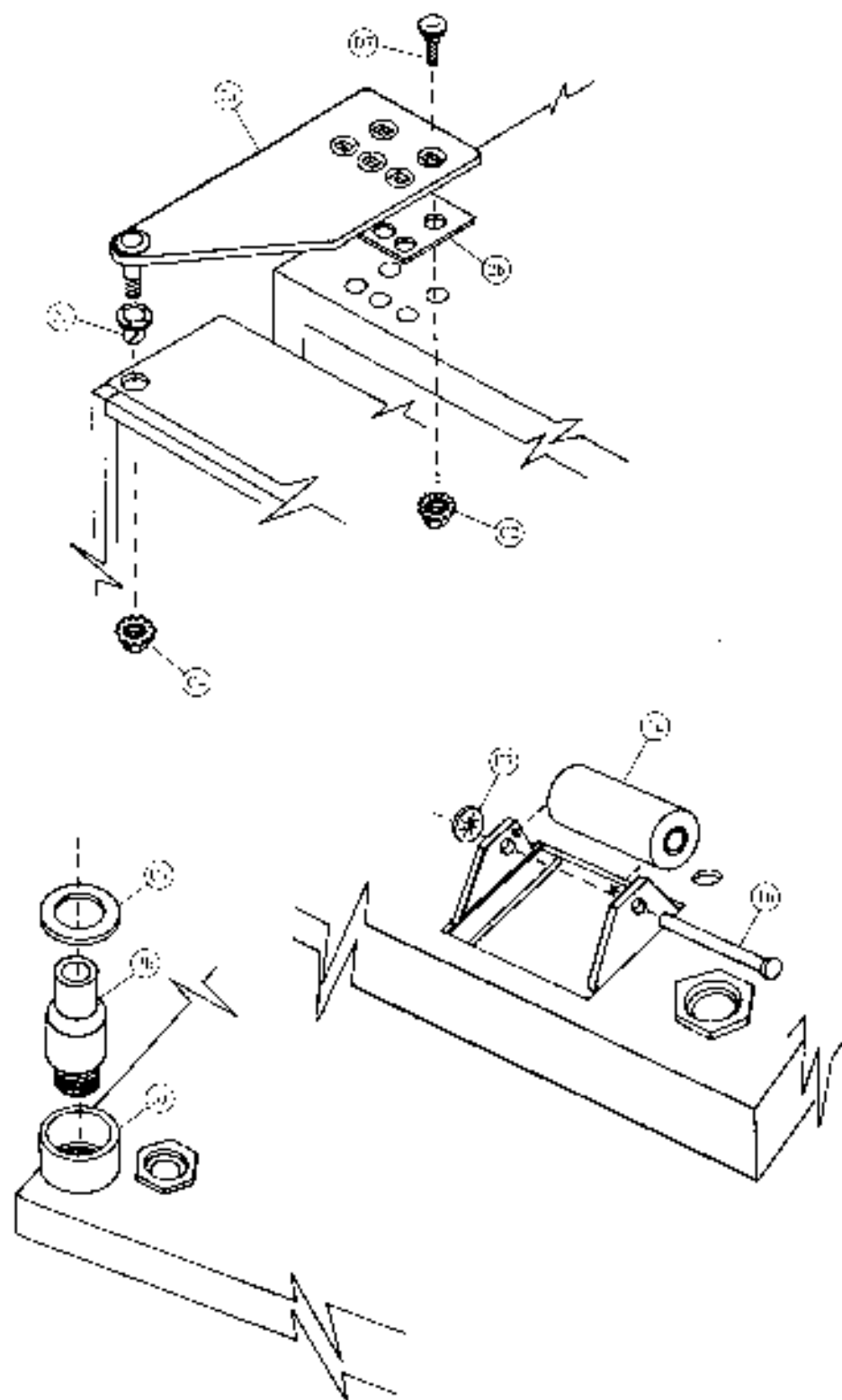
Cabinet & Vend Mechanism - Pepsi (Magnum Circular)



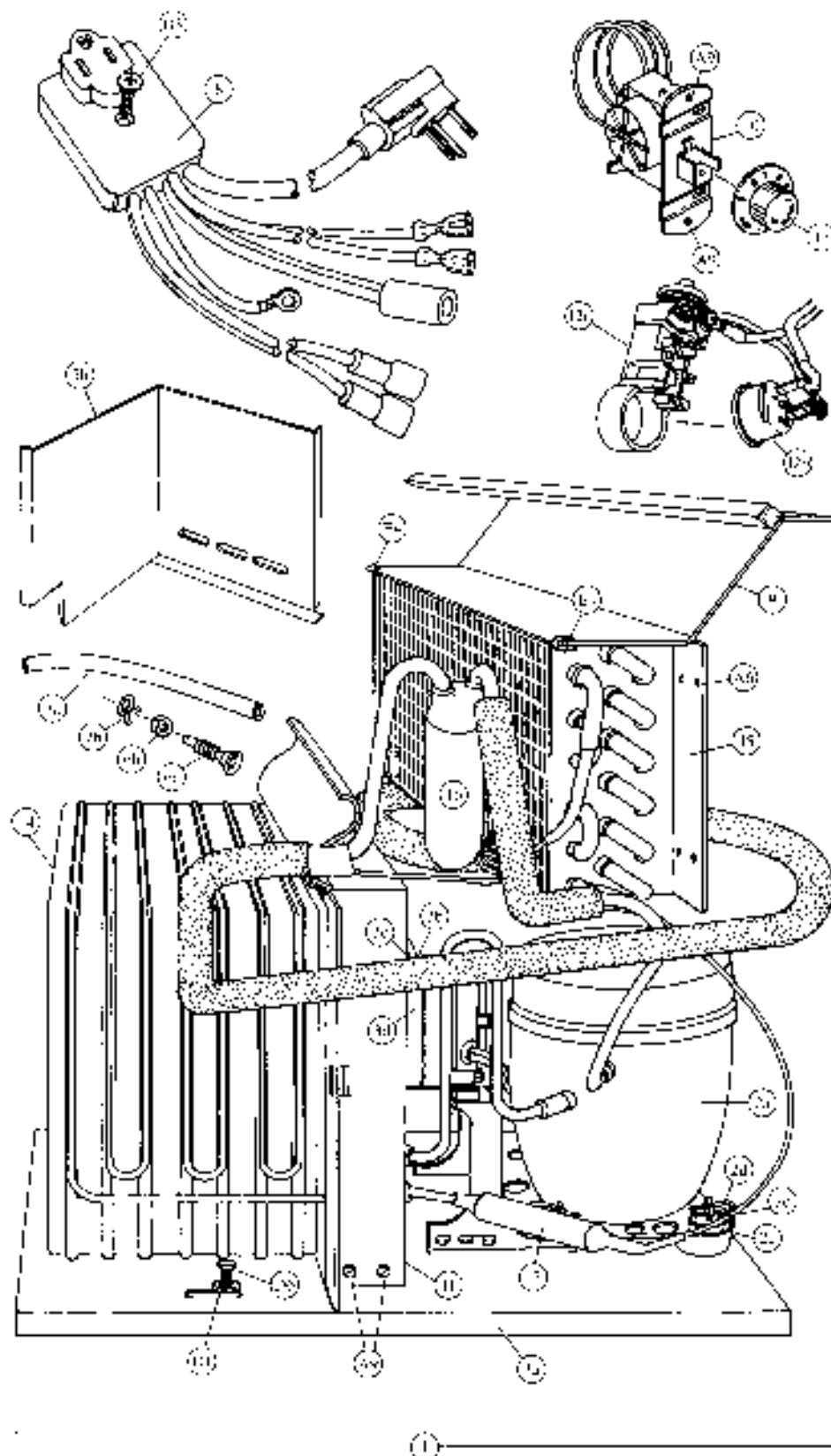
Cabinet & Vend Mechanism - Pepsi (Magnum Circular)

| Item | Part Number | Part Name And Description |
|------|----------------|--|
| | 493,170,010,03 | Vend Motor Cover, Narrow |
| | 445,070,000,03 | Vend Motor Cover, Narrow - IEC Standard |
| 3a | See list below | Vend Motor Assembly, Wide |
| | 491,070,300,03 | Single Price |
| | 491,170,100,03 | Two/Four Price |
| 2a | 801,806,900,01 | Vend Cam, Blue |
| 2c | 801,806,400,11 | Adjustable Cam, Gold |
| 4a | See list below | Vend Motor Assembly, Narrow |
| | 491,070,400,03 | Single Price |
| | 491,170,200,04 | Two/Four Price |
| 2b | 801,806,180,21 | Vend Cam, Brown |
| 2c | 801,806,610,21 | Adjustable Cam, Brown |
| 5 | See list below | Vend Motor Switch |
| | 804,100,600,01 | Single Price - (Double Switch) |
| | 804,100,650,01 | Single Price - IEC Standard - (Double Switch) |
| | 804,100,700,01 | Two/Four Price - IEC Standard - (Triple Switch) |
| 6 | 905,800,330,11 | Vend Motor Switch Insulator |
| 6 | 801,201,211,61 | Vend Rotor - Narrow Column |
| 7a | 801,201,010,11 | Vend Oscillator - Wide Column |
| 7b | 901,700,650,11 | Cam Resonance Oscillator |
| 8a | 801,800,170,01 | Nylon, Rear (not shown) |
| 8b | 901,804,700,01 | Nylon, Front - Wide Column only (not shown) |
| 9 | 275,070,110,15 | Wire Shield |
| 10a | 804,100,610,01 | Sold Out Switch Assembly |
| | 804,100,650,01 | Sold Out Switch Assembly - IEC Standard |
| 10b | 452,070,190,13 | Sold Out Paddle |
| 10c | 901,700,740,01 | Sold Out Paddle Spring |
| 11 | 491,020,070,33 | Mechanism Support |
| 12a | See list below | Evaporator Fan Motor Assembly |
| | 491,500,200,01 | 115v |
| | 491,140,400,01 | 220 - 240v |
| 12b | See list below | Evaporator Fan Motor |
| | 804,500,500,01 | 115v |
| | 804,500,520,01 | 220 - 240v |
| 12c | 164,040,080,75 | Evaporator Fan Motor Bracket |
| 12d | 801,304,270,11 | Evaporator Fan Blade |
| 12e | 902,100,290,01 | Selector |
| 13a | 408,170,100,03 | Cam Chute Assembly (includes 13b & 13c) |
| 13b | 408,070,010,13 | Cam Chute |
| 13c | 408,070,020,03 | Chute Lever (bydex) |
| 14a | 903,300,760,01 | Foam Block |
| 11b | 169,000,130,83 | Hinge Bracket Cover |
| 15 | 170,072,130,15 | Journal |
| 18 | 177,070,530,04 | Support, Can/Bottle Clute |
| 1 | 900,901,510,02 | Screw, Phil Pan Tapping |
| AA | 900,501,400,01 | Scms Screw #10 - 32 x 5/8 (3) |
| AB | 900,600,000,02 | Sheet Metal Screw, Type "A" |
| BB | 900,901,690,01 | Hex Tap Screw #8 - 32 x 3/8 (3) |
| AB | 900,301,800,01 | Vend Motor Screw #4 x 1 1/2 - Double Switch (16) |
| | 900,301,610,01 | Vend Motor Screw #4 x 1 1/2 - Triple Switch |
| AC | 900,301,500,01 | Scms Screw #8 - 32 x 1/2 (23) |
| ES | 900,101,000,01 | Grommet, Black Rubber #97 (3) |
| FS | 900,800,850,01 | Speed Nut |
| B | 900,501,850,01 | Scms Screw #8 - 32 x 3/8 |

Hinges and Rollers - Pepsi (Magnum Circular)



Refrigeration - Pepsi (Magnum Circular)



Refrigeration - Pepsi (Magnum Circular)

| Item | Part Number | Part Name And Description | |
|--------------------|----------------------------|--|------------------|
| 1 | Provide information listed | Complete Refrigeration System: Indicate unit model number from serial plate on unit base plate, refrigerant, voltage/hertz and country. | |
| 2a | Provide information listed | Compressor 1/2 HP: Indicate compressor manufacturer, voltage/hertz, refrigerant and complete manufacturer's model number. | |
| 2b | See list below | Compressor Lead Harness | (not shown) |
| | 909,900,611.01 | AL, except IEC Standard | |
| | 804,905,440.11 | 220 2-110/50Hz, IEC Standard | |
| 2c | 902,000,570.01 | Compressor Mounting Grommet | |
| 2d | 900,901,880.01 | Compressor Mounting Retainer Clip | |
| 2e | 901,803,910.01 | Compressor Grommet Plug, Plastic | |
| 3a | 491,640,040.43 | Condenser Base Plate | |
| 3b | See list below | Condenser Fan Motor Assembly | |
| | 491,640,200.03 | 115v | |
| | 491,140,300.03 | 220-240v | |
| 3c | See list below | Condenser Fan Motor | |
| | 804,500,670.01 | 115v | |
| | 801,800,700.01 | 220-240v | |
| 4f | 800,100,370.02 | Fan Blade | (not shown) |
| 4a | 491,000,100.23 | Drain Pan Assembly | (not shown) |
| 4b | 801,804,740.51 | Drain Pan, Plastic | (not shown) |
| 1c | 905,800,690.01 | Soaker, Fiberglass | (14) (not shown) |
| 5a | 493,040,030.43 | Condenser Haffle, Right Side | (not shown) |
| 5b | 493,040,040.43 | Condenser Haffle, Rear | |
| 6a | 801,806,050.11 | Drain Tube | |
| 6b | 900,301,790.01 | Drain Tube Nut | |
| 7a | 901,900,500.01 | Drain Hose | |
| 7b | 900,901,070.01 | Drain Hose Clamp | |
| 8 | See listing below | Main Wiring Harness | |
| | 804,902,220.01 (a) | United States | (shown) |
| | 801,905,480.01 (b) | Australia, IEC 235 | |
| | 804,905,490.01 (c) | United Kingdom, IEC 335 | |
| | 804,902,160.21 (d) | Europe | |
| | 804,903,160.01 (e) | Mexico | |
| | 804,905,450.01 (f) | Italy | |
| 804,905,470.01 (g) | Danish, IEC 335 | | |
| | 804,905,360.01 (h) | Germany, Splashwater Protector | |
| 9 | 147,040.01 1.13 | Top Fan Housing | |
| 10 | 802,800,110.01 | Temperature Control | |
| 11 | 491,640,110.43 | Fan Shroud Condenser | |
| 12a | Provide information listed | Relay: Indicate compressor manufacturer, model # and voltage/hz. | |
| 12b | Provide information listed | Overload: Indicate compressor manufacturer, model # and voltage/hz. | |
| 13 | 807,401,260.01 | Drum | |
| 14 | 802,600,560.01 | Condenser | |
| 15 | 802,600,370.51 | Evaporator | |
| 16 | 802,000,460.01 | Accumulator | |
| 17 | 802,800,420.01 | Knob, Temperature Control | |
| A6 | 900,600,230.02 | Sheet Metal Screw, Type "A" (not shown) | (2) |
| A9 | 900,701,560.01 | Semi Screw #8 - 32 x 1/2 | (6) |
| B3 | 900,901,810.01 | Screw, #10 - 32 x 1/2 | |
| B1 | 900,700,560.01 | Lockwasher, 5" | (2) |
| B4 | 900,901,390.01 | Timexian Clip | (2) |
| D8 | 900,400,440.01 | Refrigeration Belt 3/4 - 16 x 1 | (2) |

Signs and Decals - Pepsi (Magnum Circular)

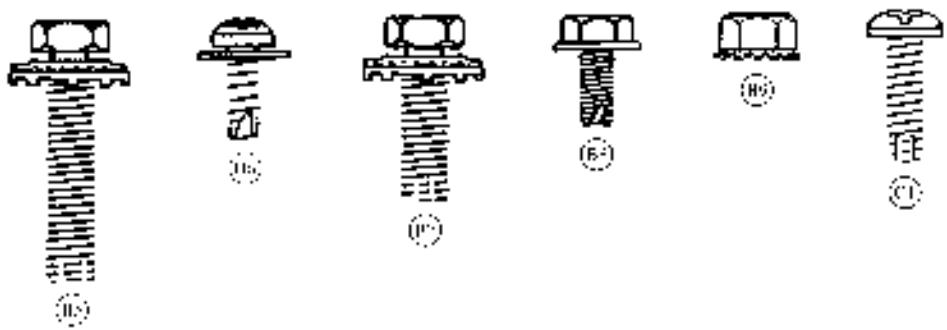
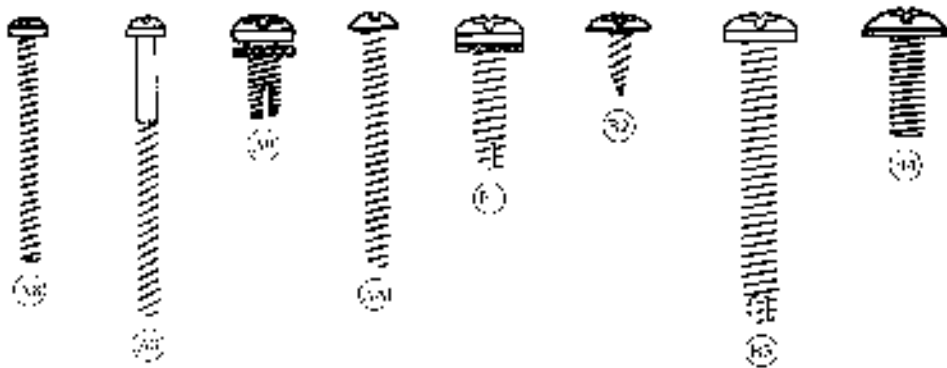
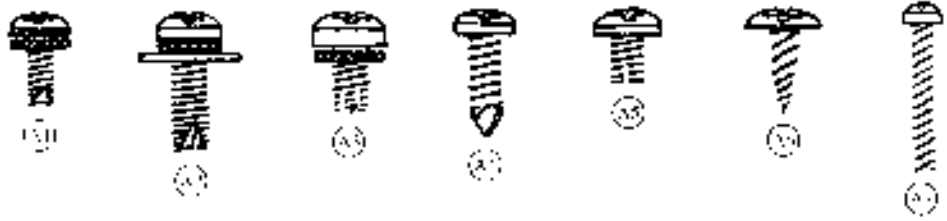


①



②

Screws & Nuts - Pepsi (Magnum Circular)



Washers, Bolts & Misc. - Pepsi (Magnum Circular)

