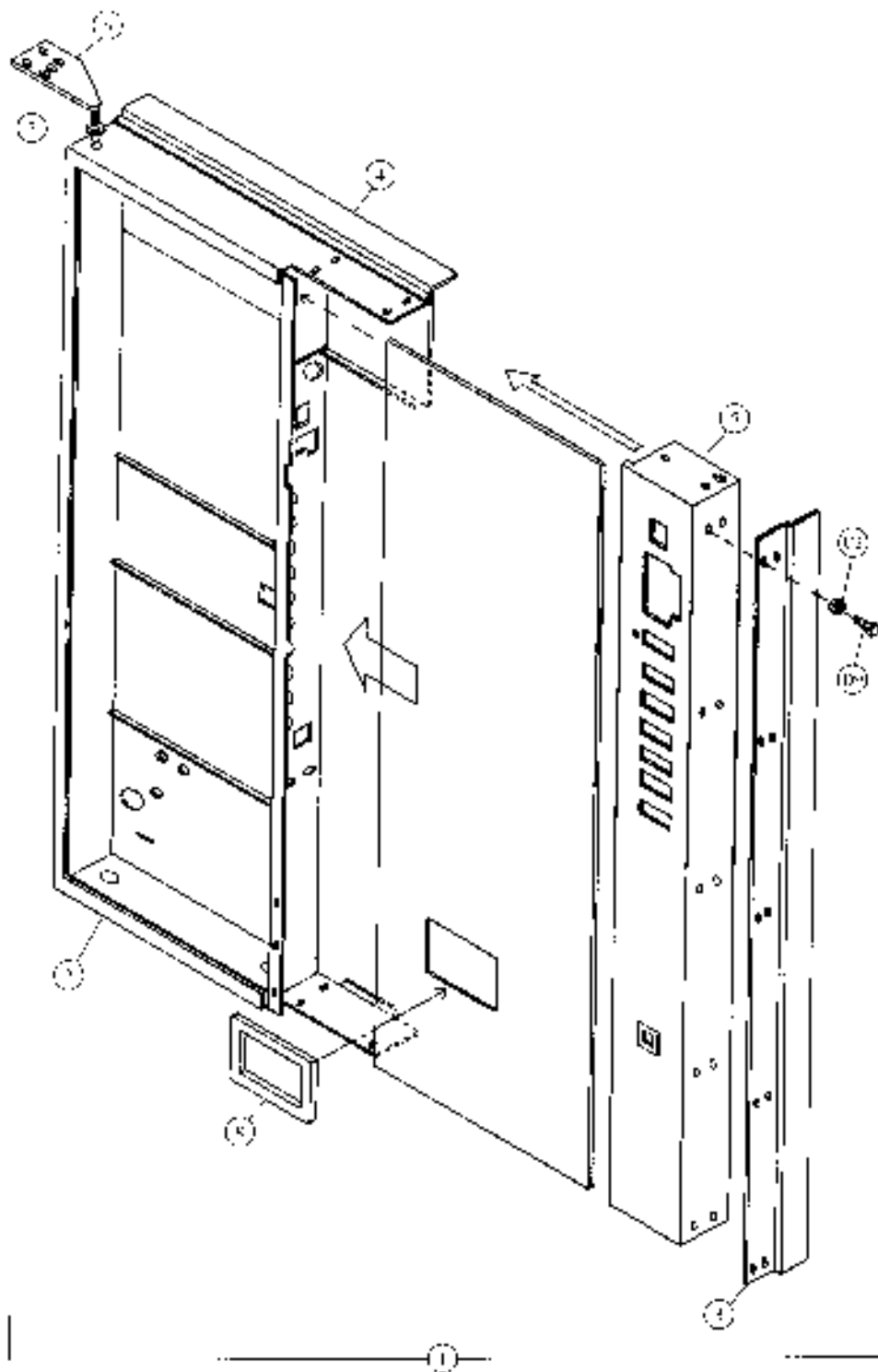




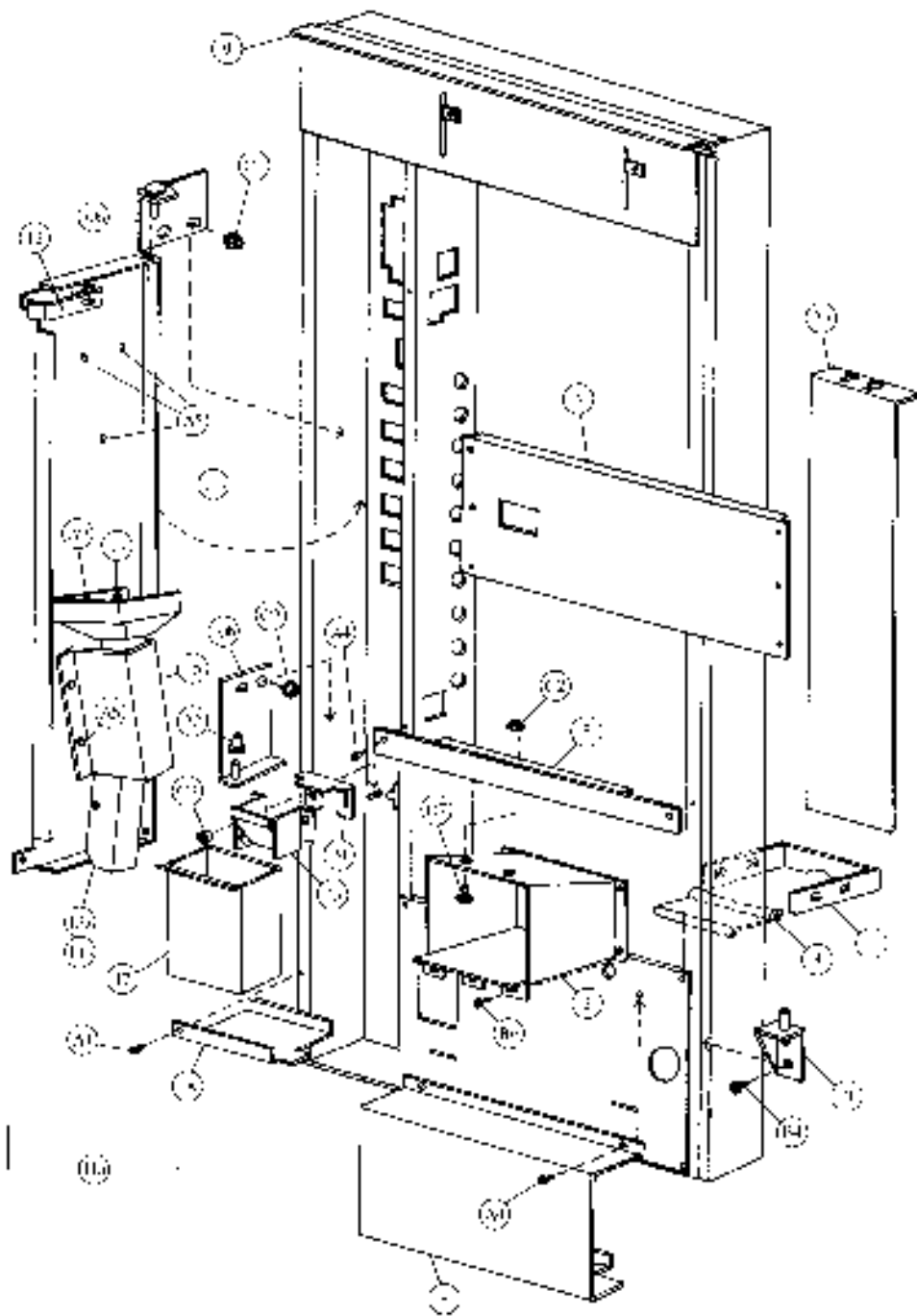
Pepsi (Magnum) DNCB 276M & 300M

Dimensions	72" H x 28 3/4" W x 29" D (1829mm H x 719mm W x 737mm D)	
Dimensions - Less Door	72" H x 28 1/2" W x 27 1/2" D (1829mm H x 719mm W x 696mm D)	
Approximate Weight	574 lbs. (26 kg)	
Selections/Column:	300	3/5
	276	0/6
Total 12 oz. (330ml) Cans Capacity/Year	300	310/300
	276	282/270
Column Capacity 12 oz. (330ml) Cans	300	5 Double Columns - 62 Each
	276	3 Single Columns - 30 Each 1 Double Columns - 62 Each

Main Door - Exterior - Pepsi (Magnum)



Main Door - Interior - Pepsi (Magnum)

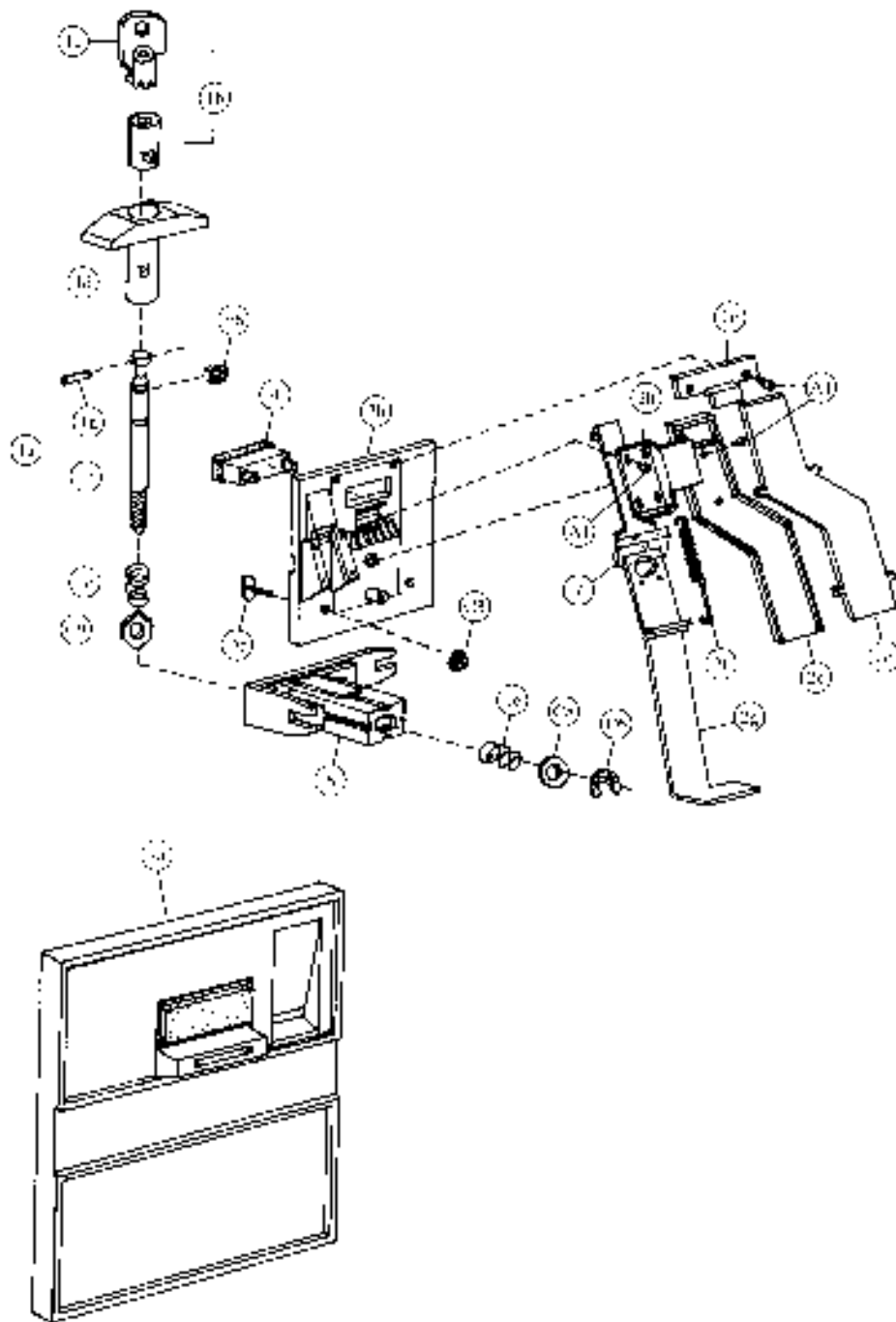


Main Door - Interior - Pepsi (Magnum)

Item	Part Number	Part Name And Description
1	478,050,150.03	Discharge Member
2	801,806,480.11	Delivery Port (back frame)
3	172,050,300.83	Bumper Assembly
4	394,050,060.13	Center Door Stiffener
5	394,050,020.63	Delivery Port Stiffener
6	478,050,160.03	Closure Strip (not shown)
7	901,901,890.01	1" Clamp (not shown)
8	432,020,070.23	Ballast Plate
9	902,001,010.11	"U" Gasket
10a	397,050,100.03	Access Door Top Hinge, w/a
10b	360,050,600.13	Access Door Bottom Hinge, w/a
11a	360,052,300.03	Access Door Assembly
11b	360,050,290.83	Access Door
12	360,050,440.03	Access Door Latch
13a	360,050,270.13	Cash Box Chute
13b	360,050,260.03	Cash Box Chute Back
14	801,804,300.21	Hopper
15	360,051,100.03	Hopper Chute Assembly
16	900,500,261.11	Shoulder Screw (not shown)
17	360,050,700.33	Cash Box, w/a
18	399,050,210.13	Cash Box Shelf
19	804,902,610.01	4" Ground Wire (102mm) (not shown)
20	399,050,250.13	Changer Guard
21	169,051,101.63	Inner Door Bottom Hinge, w/a
22	901,803,710.01	Plastic Bearing
23	360,051,500.03	Change Cup Assembly
24	267,050,610.23	Change Cup Cover

B6	900,301,650.01	Screw, Phil Pan (with washer) #8 - 18 x 1/2 (3)
C3	900,800,500.01	Keps Nut #8 - 32
A4	900,301,500.01	Screw, Phil Pan (without washer) #8 - 18 x 1/2 (9)
D7	900,201,170.01	Carriage Bolt 1/4 - 20 x 1 (6)
C2	900,800,670.01	Keps Nut 1/4 x 20 (6)
A9	900,301,560.01	Sems Screw #8 - 32 x 1/2
A5	900,301,970.01	Screw, Phil Pan #8 - 32 x 1/4 (3)
B4	900,201,140.01	Screw, Machine Truss #10 - 32 x 1/2 (2)
B9	900,800,650.01	Keps Nut #10 - 32 (not shown) (2)

Pull-Out Handle & Coin Insert - Pepsi (Magnum)

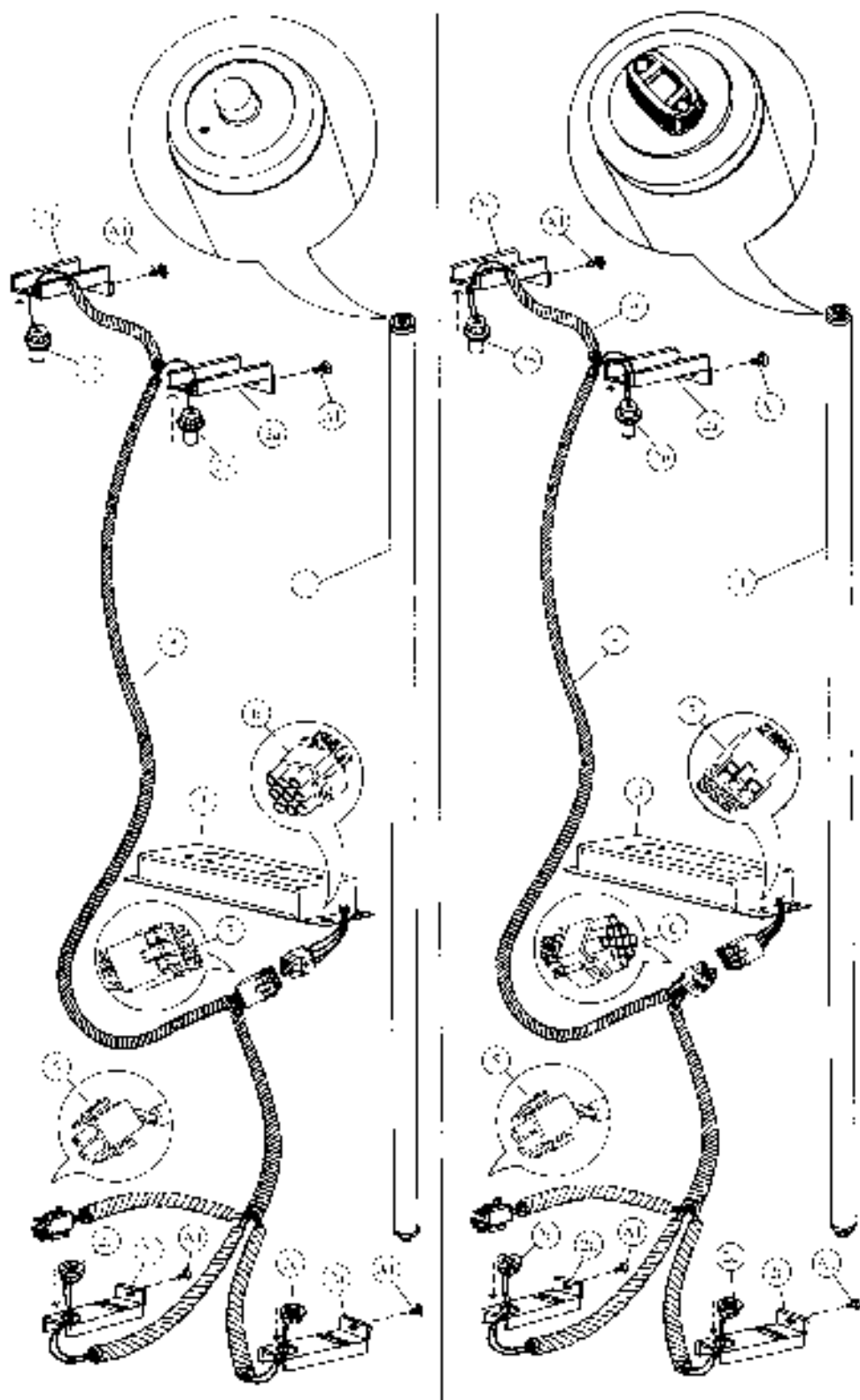


Select Panel - Pepsi (Magnum)

Item	Part Number	Part Name And Description	
	794,050,300.03	276 Select Panel Assembly (6 select)	(specify harness)
	556,050,300.03	300 Select Panel Assembly	(specify harness)
7	394,050,300.03	276 Select Panel, w/a	(6 select)
	556,050,300.03	300 Select Panel, w/a	(5 select)
1	See list below	276 Door Harness	(6 select)
	804,903,710.11	Single Price and Single Price - IFC Standard	
	804,903,840.11	Two Price and Two Price - IFC Standard	
	804,904,010.11	Four Price and Four Price - IFC Standard	
3b	See list below	300 Door Harness	(5 select)
	804,803,720.01	Single Price and Single Price - IFC Standard	
	804,803,850.01	Two Price and Two Price - IFC Standard	
	804,804,020.01	Four Price and Four Price - IFC Standard	
4	903,600,830.01	15-Way Plug	
5a	904,600,620.01	Socket, Relay	
5b	904,600,610.01	Socket, Coin Changer	
6	804,200,170.03	Vend Relay (single price only)	
7	901,901,890.01	T Clamp	
8	801,805,110.01	Burton (small rectangle)	
9a	801,804,540.21	Burton Stop	
9b	801,804,620.11	Switch Shield & Spring, Mylar	
9c	804,100,510.01	Select Switch (Unimax A401)	
10	804,700,210.01	Sold Out Lamp	
11	Indicate Haven	Flavor Cards	(not shown)
12	904,600,700.01	2-Way Cap	
13	460,050,580.03	Door Strap	
15	801,303,600.01	Charge Coin Bezel	
16	360,010,190.13	Crown Puller Cover Plate	
17a	801,804,550.11	Price Window	
17b	900,001,600.21	Price Window Gasket	
18	369,050,010.23	Back Select Panel	
19	801,303,590.01	Crown Puller Bezel	
20	360,050,250.13	Crown Catcher Support	(not shown)
21	432,050,400.03	Crown Catcher	(not shown)
22	455,010,050.23	Crown Catcher Box	(not shown)
23	432,050,280.23	Crown Chain	(not shown)
24	901,000,190.01	Crown Puller	(not shown)

13D	900,800,490.01	Keys Nut #6 - 32	(12)
A-	900,301,500.01	Screw, Phil. Pan #8 - 18 x 1/2	(2)
A9	900,301,580.01	Socket Screw #9 - 32 x 1/2	(7)
AA	900,291,310.01	Screw #6 - 32 x 1 1/2	(10)
13	900,800,500.01	Keys Nut #8 - 32	(14)

Lighting - Pepsi (Magnum)



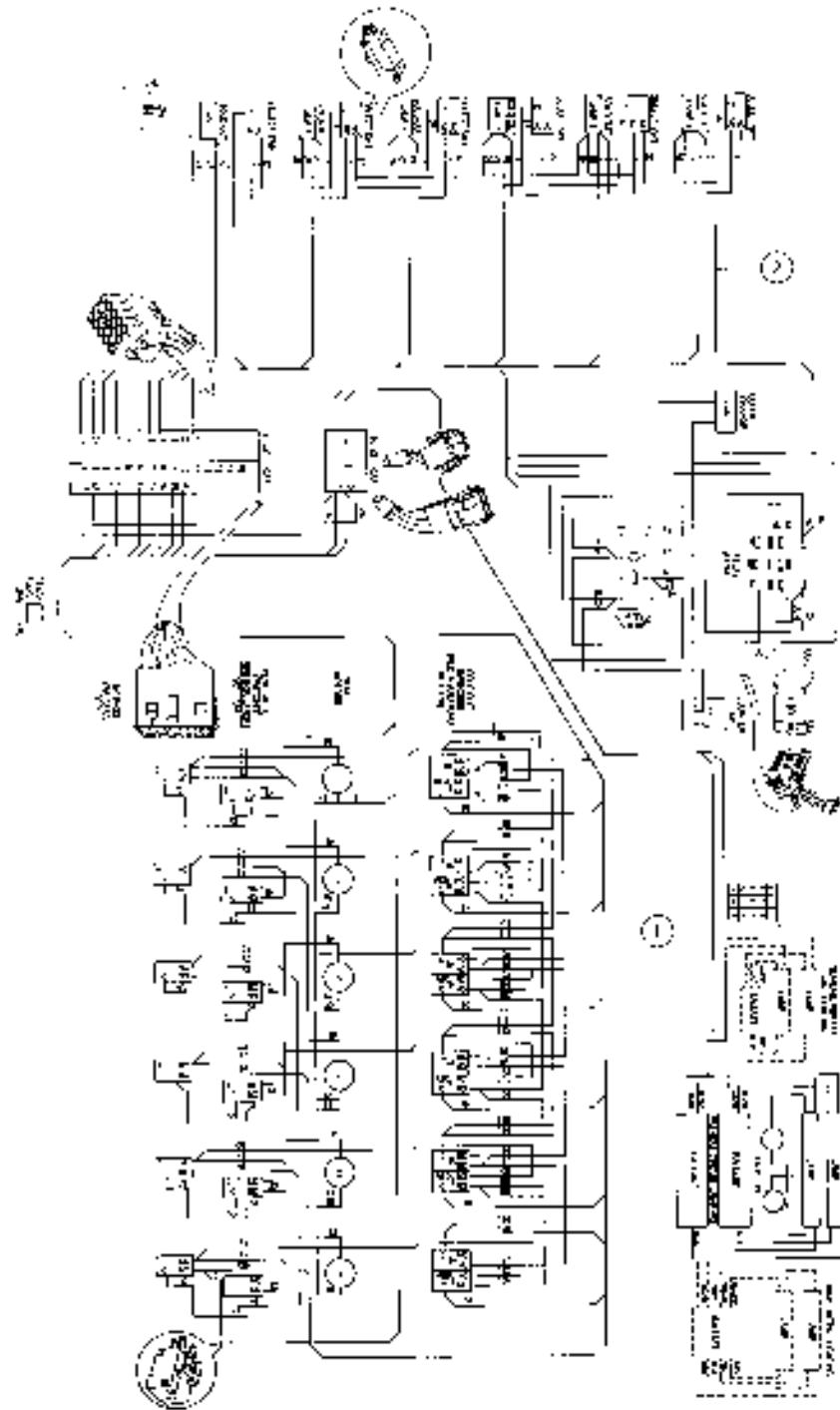
Slimline

High Output

Lighting - Pepsi (Magnum)

Item	Part Number	Part Name And Description
High-Output Lighting		
1	804,700,370.01	Fluorescent Bulb - F64T12/D/HO
2a	432,050,380.63	Door Bracket Lamp Socket
2b	804,901,990.01	Top Lamp Holders - 523
2c	804,902,000.01	Bottom Lamp Holders - 524
3	804,400,380.01	Plug-In Ballast, Advance #VSM/HO
4	904,800,520.01	Connector, Electrical (socketlock 557)(not shown)
5	904,600,710.01	2-Way Plug
6	904,600,670.01	9-Way Plug
7	904,600,660.01	9-Way Cap
8	804,904,510.21	Plug-In Ballast Harness, High Output
9	804,904,920.01	Lamp Fixture Jumper, High Output
Slimline Lighting		
1	804,700,390.01	Fluorescent Bulb - F64T12/DAYLT
2a	432,050,380.63	Door Bracket Lamp Socket
2b	804,902,020.01	Top Lamp Holders - 516
2c	804,902,030.01	Bottom Lamp Holders - 517
3	804,400,370.11	Plug-In Ballast, Slimline
4	904,800,520.01	Connector, Electrical (socketlock 557)(not shown)
5	904,600,710.01	2-Way Plug
6	904,600,670.01	9 Way Plug
7	904,600,660.01	9-Way Cap
8	804,904,600.71	Plug-In Ballast Harness, Slimline
A1	900,301,700.01	Sheet Metal Screw #6 - 32 x ³ / ₈ (4)

Wiring Harness - Pepsi (Magnum)

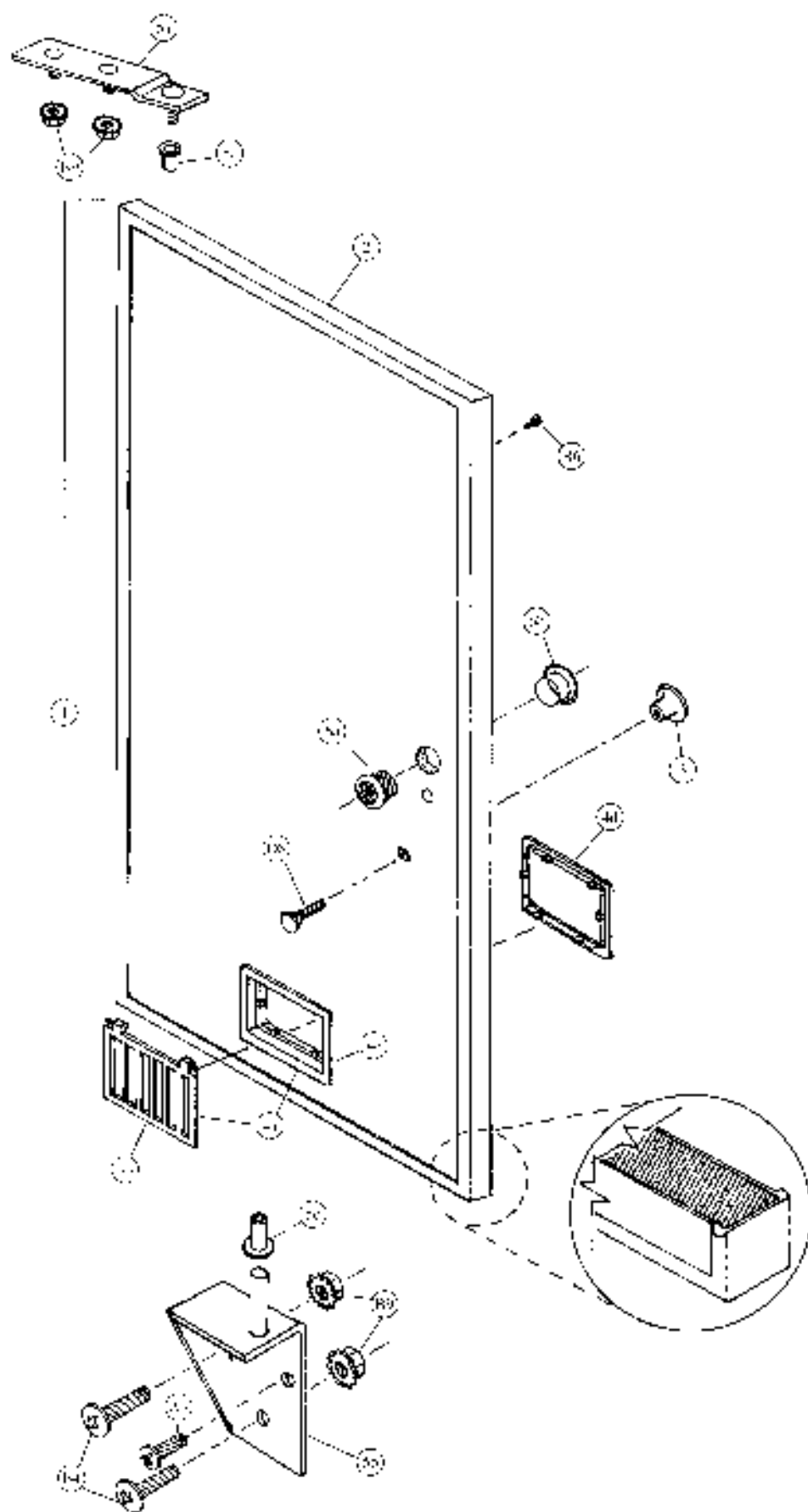


Sample Diagram
6 Column Dual Adaptable, Single Price

Wiring Harness - Pepsi (Magnum)

Item	Part Number	Part Name And Description
1a	See list below	276 Cabinet Harness
	804,903,660.11	Single Price & Single Price - IEC Standard
	804,904,340.21	Two/Four Price & Two/Four Price - IEC Standard
1b	See list below	300 Cabinet Harness
	804,903,650.11	Single Price & Single Price - IEC Standard
	804,904,350.21	Two/Four Price & Two/Four Price - IEC Standard
2a	See list below	276 Door Harness
	804,903,710.11	Single Price & Single Price - IEC Standard
	804,903,840.11	Two Price & Two Price - IEC Standard
	804,904,010.11	Four Price & Four Price - IEC Standard
2b	See list below	300 Door Harness
	804,903,720.01	Single Price & Single Price - IEC Standard
	804,903,850.01	Two Price & Two Price - IEC Standard
	804,904,020.01	Four Price & Four Price - IEC Standard

Inner Door - Pepsi (Magnum)

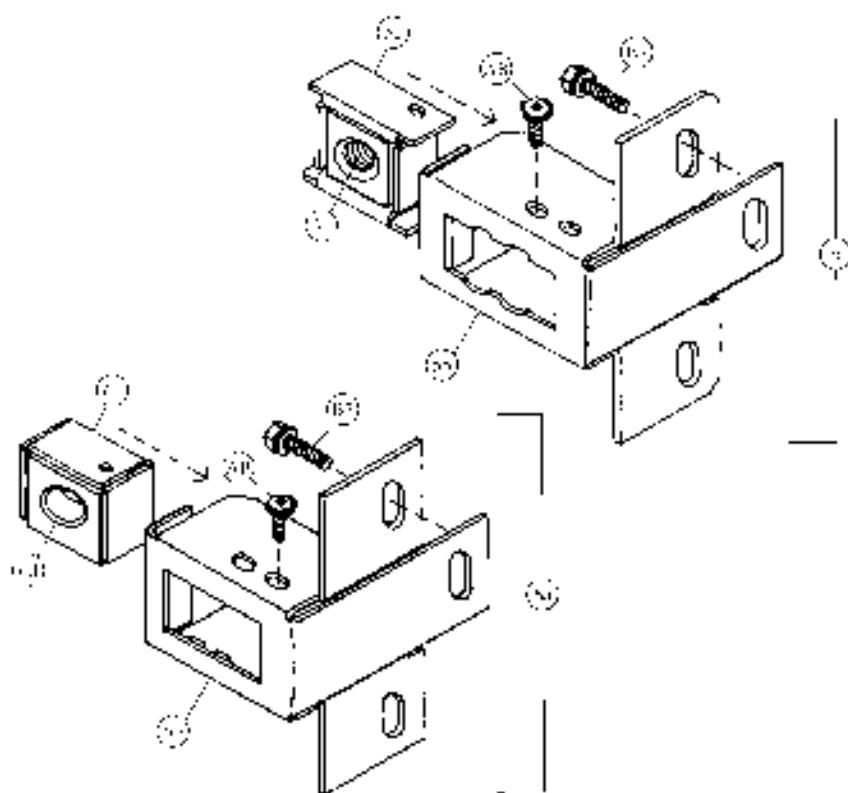
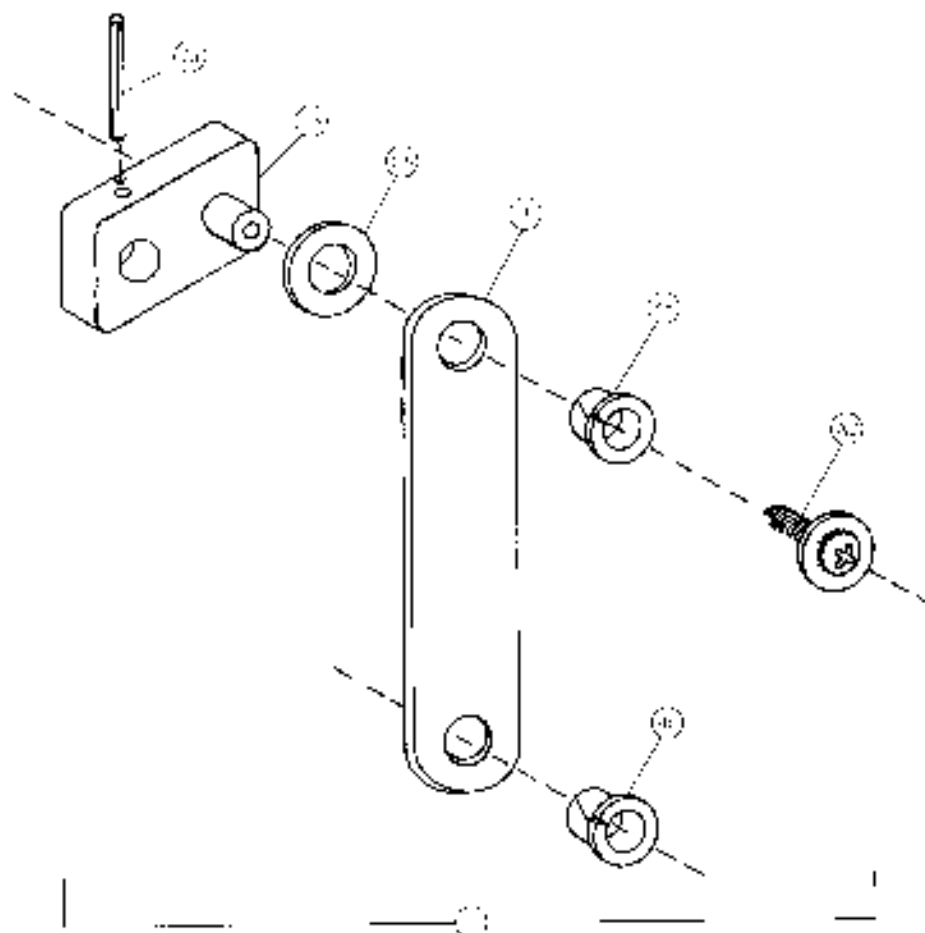


Inner Door - Pepsi (Magnum)

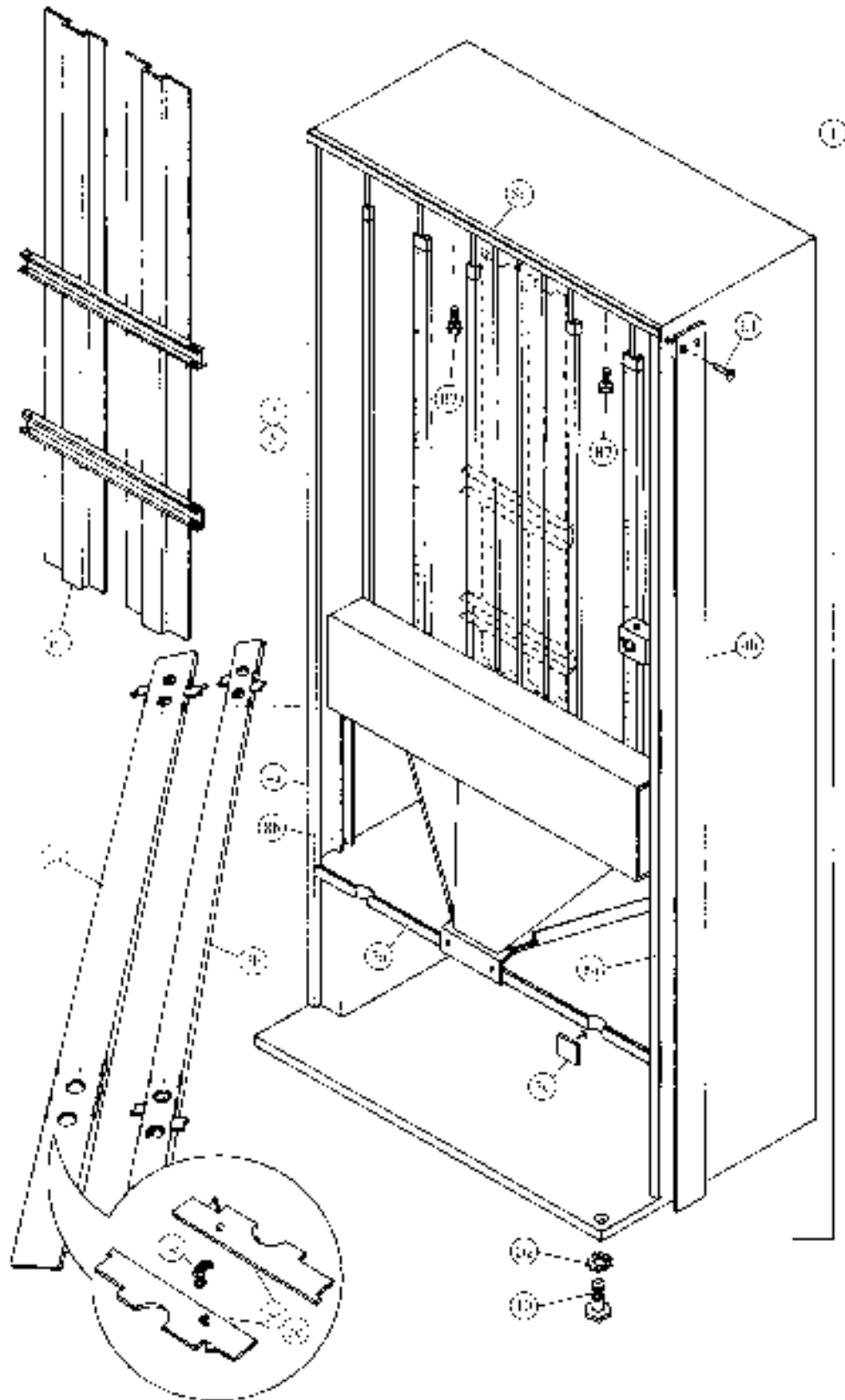
Item	Part Number	Part Name And Description
1	394.050.400.13	Inner Door Assembly
2	801.804.030.01	Inner Door Gasket
3	901.501.700.01	Knob
4a	801.806.920.01	Discharge Frame Assembly (includes 1c & 4c)
4b	801.806.600.01	Delivery Door
4c	801.806.550.01	Discharge Frame
4d	801.806.560.01	Retainer Frame Inner Door
5a	169.053.001.13	Inner Door Top Hinge, w/u
5b	169.051.101.63	Inner Door Bottom Hinge, w/a
5c	901.803.710.01	Plastic Bearing
6a	801.806.420.31	Bushing - Inner Door
6b	801.806.430.31	Bushing Retainer - Inner Door
7	804.902.610.01	4" Ground Wire (102mm) (not shown)

D8	900.201.230.11	Carriage Bolt ¼ - 20 x 1¼
B6	900.301.650.01	Screw, Phil Pan #8 - 18 x ½ (with washer) (53)
A4	900.301.500.01	Screw, Phil Pan #8 - 18 x ½ (without washer)
B9	900.800.650.01	Keps Nut #10 - 32 (4)
B4	900.201.140.01	Screw, Machine Truss #10 - 32 x ½ (2)

Two-Bar Linkage & Nut Retainer Housing - Pepsi (Magnum)



Cabinet Interior - Pepsi (Magnum)



Cabinet Interior - Pepsi (Magnum)

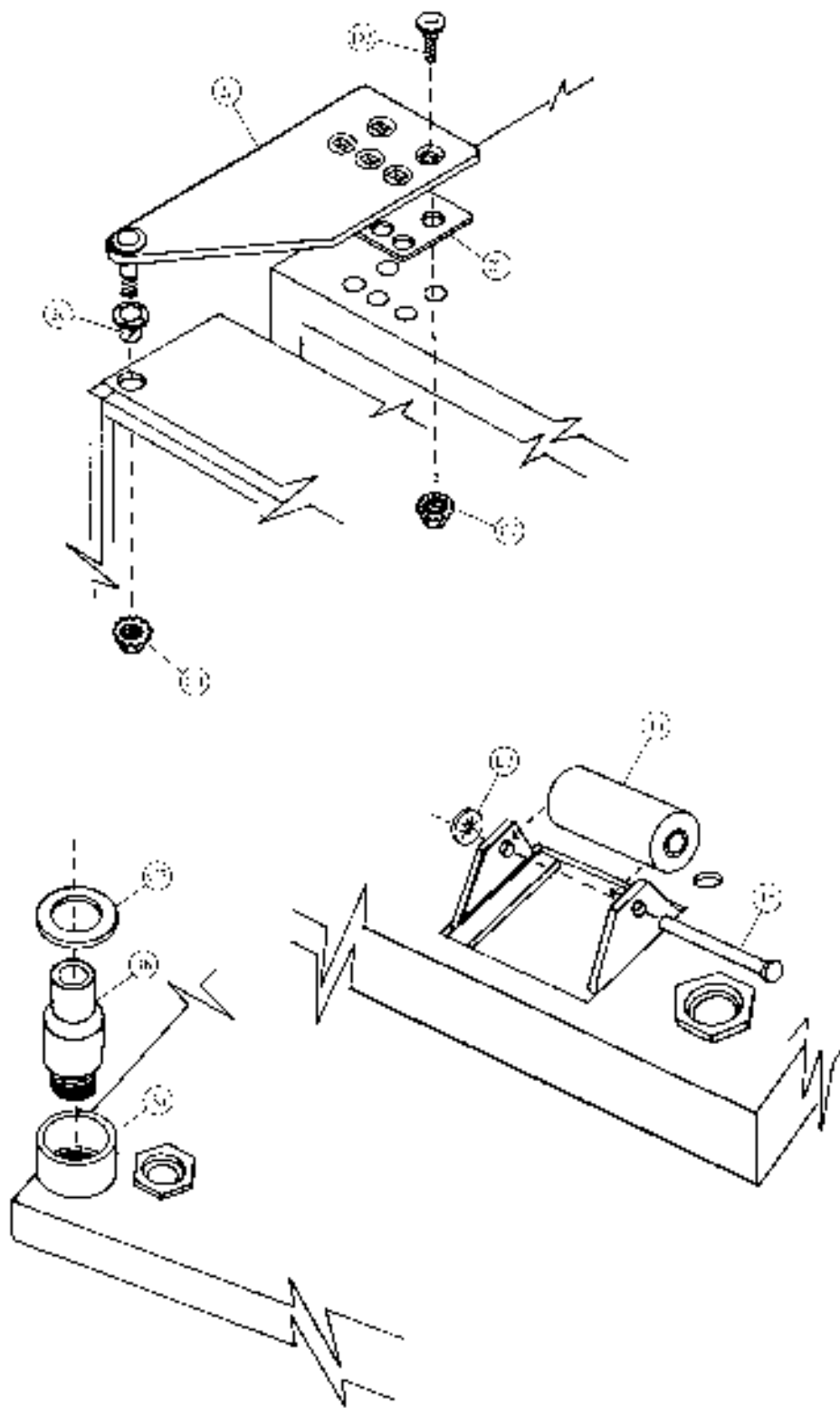
Item	Part Number	Part Name And Description
1	493,000,700.03	Front Cabinet Assembly
2	See list below	276 Stack Assembly (specify harness)
	493,070,600.03	Single Price
	493,170,000.03	Two/Four Price
20	See list below	300 Stack Assembly (specify harness)
	534,070,000.03	Single Price
	534,170,000.03	Two/Four Price
3	492,070,700.03	Rear Spacer Assembly, Wide Column
3b	492,070,700.03	Rear Spacer Assembly, Narrow Column
4	267,070,080.53	Latch Finger, Long
4d	267,070,210.43	Latch Finger, Short
5	901,700,690.01	Rear Spacer Splice
4a	165,000,071.33	Protective Plate, I.S. Cabinets (not shown)
4b	165,000,041.63	Protective Plate, RS Cabinet
5a	493,070,100.03	276 Stack Sub Assembly
5b	534,070,100.03	300 Stack Sub Assembly
6a	493,070,200.03	Gate, w/a 1276 only)
6b	491,071,000.03	Gate Hinge (276 only) (not shown)
7a	271,070,260.73	Gate Latch (276 only) (not shown)
7b	801,800,280.41	Mullion
7c	801,701,840.21	Mullion Cover, Metal (not shown)
7d	not applicable	Mullion Cover, Plastic (obsolete)
8	493,020,040.03	Breaker Strip, Right
8b	493,020,050.03	Breaker Strip, Left
8c	493,020,060.03	Breaker Strip, Top
9	490,000,100.13	Ballast Plate Assembly (not shown)
	491,020,200.13	Ballast Plate Assembly - IEC Standard (not shown)
9b	492,050,140.03	Ballast Plate & Ballast Plate - IEC Standard (not shown)
10	900,502,490.71	Leveling Leg, 3/8" (4)
11	491,070,020.12	Mounting Bracket, Rear (not shown)
12	476,010,040.73	Rodent Guard, Narrow - IEC Standard (not shown)
13	804,400,360.01	Transformer, Basler Isolation (not shown)
14	804,902,170.11	Transformer, Jumper (not shown)
15a	901,902,280.01	Hayco Wire Clip #3690 (not shown)
15b	900,901,520.01	Cable Clamp, Green (not shown)
16		
17		
18		
19		
20		
21		
22		
23		
24		
25		
26		
27		
28		
29		
30		
31		
32		
33		
34		
35		
36		
37		
38		
39		
40		
41		
42		
43		
44		
45		
46		
47		
48		
49		
50		
51		
52		
53		
54		
55		
56		
57		
58		
59		
60		
61		
62		
63		
64		
65		
66		
67		
68		
69		
70		
71		
72		
73		
74		
75		
76		
77		
78		
79		
80		
81		
82		
83		
84		
85		
86		
87		
88		
89		
90		
91		
92		
93		
94		
95		
96		
97		
98		
99		
100		
B1	900,303,010.01	Self-Tapping Screw 1/2 - 20 x 3/8
C1a	901,100,430.01	Pop Rivet, 3/8" (10)
R5	900,301,730.21	Self-Tapping Screw 1/2 - 20 x 1 (4)
E10	901,100,440.01	Drive Rivet, 3/4" (10)
102	900,700,890.01	Lock Washer, 3/8"
103	901,100,520.01	Pop Rivet, 5/8"

Cabinet & Vend Mechanism - Pepsi (Magnum)

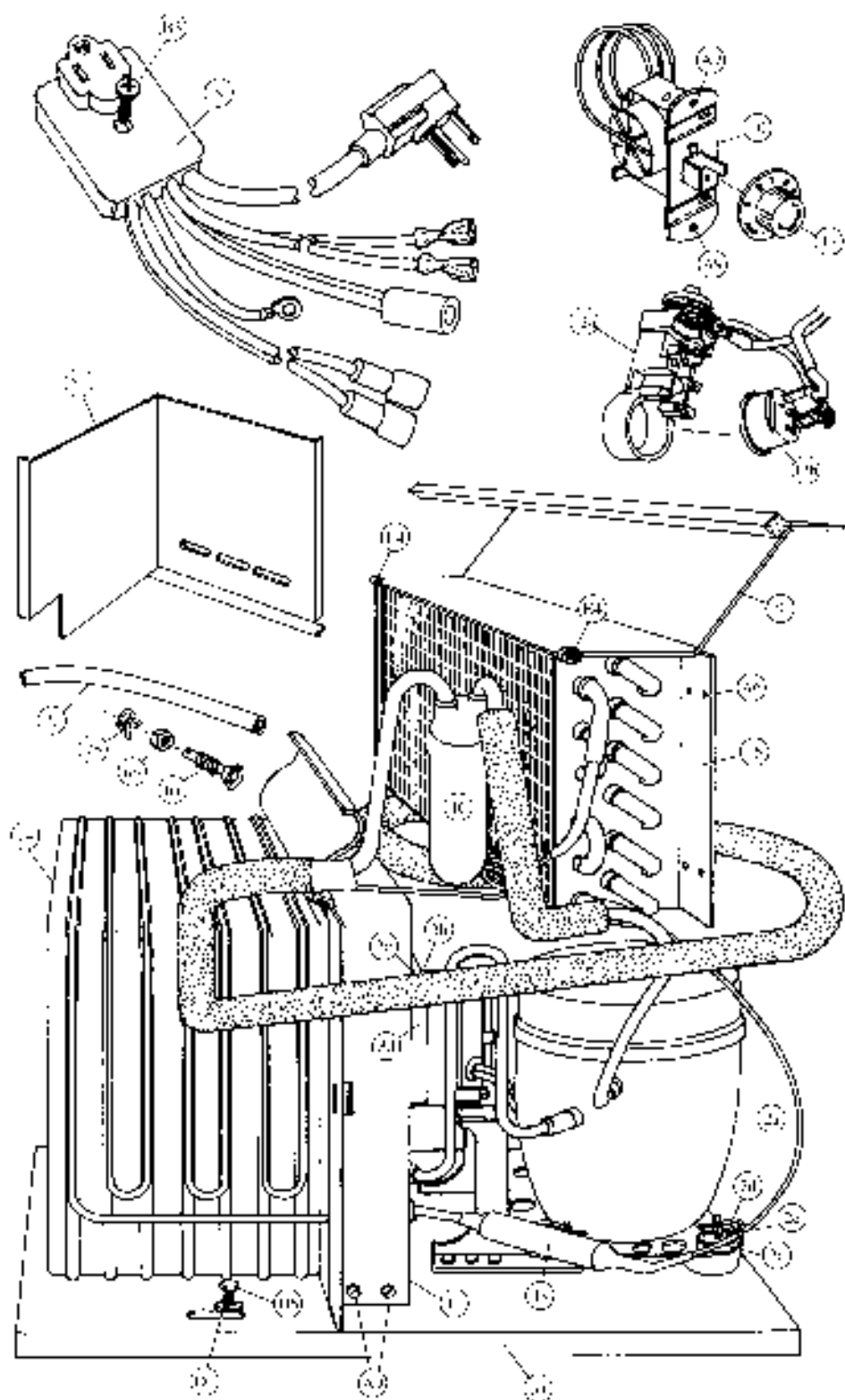
Item	Part Number	Part Name And Description
1	493,170,010.23	Vend Motor Cover, Narrow
	491,071,900.07	Vend Motor Cover, Narrow - IFC Standard
2a	See list below	Vend Motor Assembly, Wide
	491,070,200.03	Single Price
	491,170,100.03	Two/Four Price
7b	801,806,300.71	Vend Can, Blue
7c	801,806,400.11	Adjustable Can, Gold
3:	See list below	Vend Motor Assembly, Narrow
	491,070,400.07	Single Price
	491,170,200.03	Two/Four Price
9b	801,806,180.71	Vend Can, Brown
3:	801,806,600.21	Adjustable Can, Brown
4	See list below	Vend Motor Switch
	804,100,600.01	Single Price (Double Switch)
	804,100,690.01	Single Price - IFC Standard (Double Switch)
	804,100,700.01	Two/Four Price - IFC Standard (Triple Switch)
5	905,800,330.11	Vend Motor Switch Insulation
6	801,701,011.61	Vend Rotor - Narrow Column
7a	801,201,010.11	Vend Oscillator - Wide Column
7c	901,700,650.31	Can Retainer Oscillator
8a	801,803,170.01	Nylon Liner, Rear (not shown)
8b	801,804,230.01	Nylon Liner, Front - Wide Column only (not shown)
9	275,000,110.43	Wire Shield
10a	804,100,610.01	Sold Out Switch Assembly
	804,100,680.01	Sold Out Switch Assembly - IFC Standard
10b	432,010,190.13	Sold Out Partle
16a	301,700,740.01	Sold Out Peddle Spring
11	491,030,970.23	Mechanism Support
2c:	See list below	Evaporator Fan Motor Assembly
	491,000,200.07	115v
	491,140,400.07	220 - 240v
17b	See list below	Evaporator Fan Motor
	804,500,500.01	115v
	804,500,520.01	220 - 240v
12a:	164,040,080.73	Evaporator Fan Motor Bracket
13a	801,403,270.11	Evaporator Fan Blade
12c:	902,100,290.01	Silencer
13c:	408,170,100.07	Can Chute Assembly (includes 13b & 13c)
17b	408,070,010.23	Can Chute
7c	801,902,020.01	Chute Liner (Kydex)
4a:	903,500,730.01	Frame Block
13b	169,000,130.83	Hinge Pocket Cover
15	176,072,110.13	Journal

C1	900,901,510.02	Screw, Phil Pan Tapping	
A3	900,911,830.01	Self-Screw #10 - 32 x 3/8	(8)
Ab	900,600,730.07	Sheet Metal Screw, Type "W"	
B8	900,401,690.01	Hex Top Screw #3 - 32 x 3/8	(7)
A8	900,701,820.01	Vend Motor Screw #4 x 1 1/2 - Double Switch	(16)
	900,501,610.01	Vend Motor Screw #4 x 1 1/2 - Triple Switch	
A9	900,301,560.01	Self-Screw #8 - 32 x 3/8	(28)
E7	900,401,090.01	Grommet, Black Rubber #97	(5)
C5	900,800,950.01	Speed Nut	
B1	900,701,850.01	Self-Screw #3 - 32 x 3/4	

Hinges and Rollers - Pepsi (Magnum)



Refrigeration - Pepsi (Magnum)



Refrigeration - Pepsi (Magnum)

Item	Part Number	Part Name and Description
	Provide information listed	Complete Refrigeration System: Indicate unit model number from serial plate on unit base plate, refrigerant, voltage/hertz and country.
1.	Provide information listed	Compressor $\frac{1}{2}$ HP: Indicate compressor manufacturer, voltage/hertz, refrigerant and complete manufacturer's model number.
2a	See listing below	Compressor Lead Harness (not shown)
	904,900,611.01	A.L. except IEC Standard
	804,904,700.01	220-240v/50hz, IEC Standard
3.	902,001,570.01	Compressor Mounting Grommet
2c	900,901,880.01	Compressor Mounting Retainer Clip
2e	901,803,910.01	Compressor Grommet Plug, Plastic
3b	491,040,040.43	Condenser Base Plate
3c	See list below	Condenser Fan Motor Assembly
	491,040,200.03	115v
	491,140,300.03	220-240v
3d	See list below	Condenser Fan Motor
	804,500,670.01	115v
	804,500,700.01	220-240v
3f	800,103,370.02	Fan Blade (not shown)
4.	491,060,200.23	Drain Pan Assembly (not shown)
4b	801,804,240.51	Drain Pan, Plastic (not shown)
4.	905,801,690.01	Soaker, Fiberglass (14) (not shown)
5.	492,040,030.52	Condenser Baffle, Right Side (not shown)
5b	492,040,040.43	Condenser Baffle, Rear
6.	801,806,050.21	Drain Tube
6b	900,301,790.01	Drain Tube Nut
7.	901,900,500.01	Drain Hose
7b	900,901,030.01	Drain Hose Clamp
8.	See listing below	Main Wiring Harness
	804,903,220.01 (a)	United States (shown)
	804,905,430.01 (b)	Australia, IEC 335
	804,905,490.01 (c)	United Kingdom, IEC 335
	804,902,160.21 (d)	Europe
	804,903,160.01 (e)	Mexico
	804,905,450.01 (f)	Italy
	804,905,470.01 (g)	Danish, IEC 335
	804,905,360.01 (h)	Germany, with Splashwater Protector
9.	144,040,011.13	Top Fan Housing
10.	802,800,410.01	Temperature Control
11.	491,040,110.43	Fan Shroud Condenser
12a	Provide information listed	Relay: Indicate compressor manufacturer, model # and voltage/hz
12b	Provide information listed	Overload: Indicate compressor manufacturer, model # and voltage/hz
13.	802,401,260.01	Dryer
14.	802,600,560.01	Condenser
15.	802,600,370.51	Evaporator
16.	802,400,460.01	Accumulator
17.	802,800,420.01	Knob, Temperature Control
36.	900,600,250.02	Sheet Metal Screw, Type "A" (not shown) (2)
39.	900,301,560.01	Self Screw #8 - 32 x 3/8 (6)
43.	900,301,810.01	Screw, #10 - 32 x 1 1/2
45.	900,700,360.01	Lockwasher, 3/8" (2)
12c	900,901,390.01	Terminal Clip (2)
10c	900,400,440.01	Refrigeration Bolt $\frac{1}{2}$ - 16 x 1 (2)

Signs and Decals - Pepsi (Magnum)



①



②



③

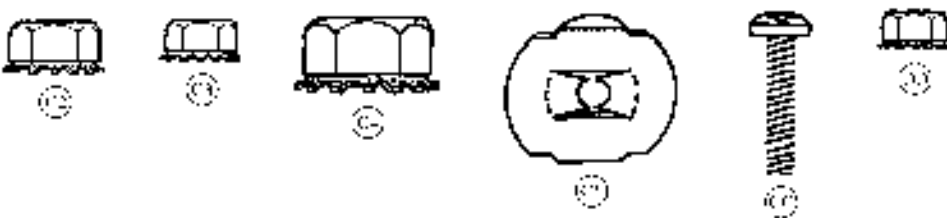
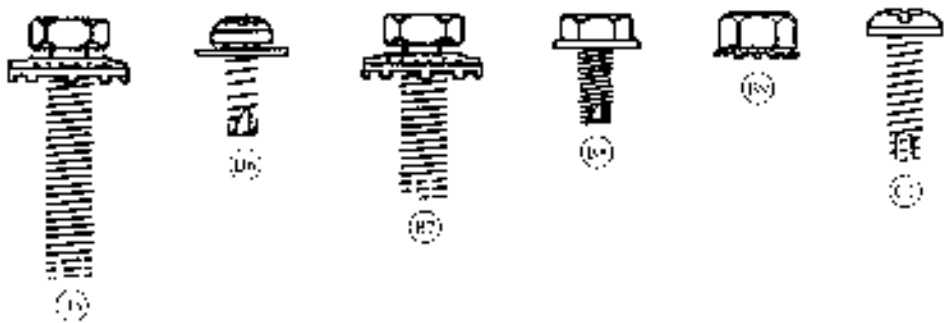


④

Signs & Decals - Pepsi (Magnum)

Item	Part Number	Part Name And Description
1	See list below	Pepsi Cola Signs
	805,009,798.01	Pepsi Can On Ice Sign (1992 graphics) (shown)
	805,005,770.11	Pepsi Sign (Target graphics)
	805,007,320.01	Pepsi Sign, Solar Grade
	805,008,160.01	Pepsi Can On Ice Sign (1991 graphics)
2	See list below	Diet Pepsi Cola Signs
	805,009,900.01	Diet Pepsi Can On Ice Sign (1992 graphics)
	805,008,320.01	Diet Pepsi Can On Ice Sign (1991 graphics) (shown)
3	See list below	Pepsi Cola Side Decals
	803,830,590.01	Pepsi Side Decal (1992 graphics) (shown)
	803,818,860.11	Pepsi Side Decal (1991 Target graphics)
	803,832,780.01	Pepsi, Helnew - Israel
4	See list below	Diet Pepsi Cola Side Decals
	803,830,660.01	Diet Pepsi Side Decal (1992 graphics)
	803,824,580.01	Diet Pepsi Side Decal (shown)

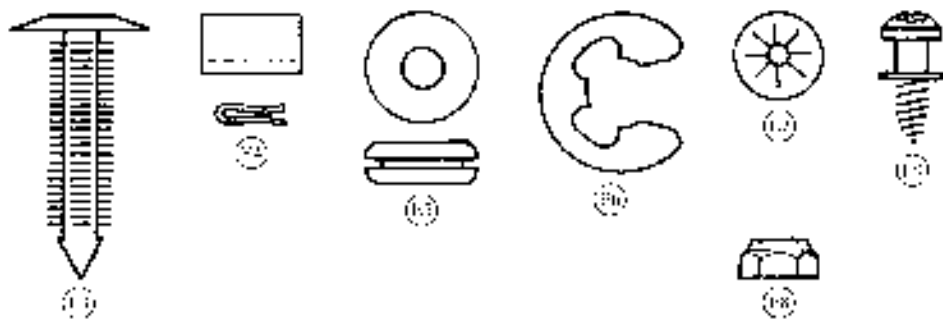
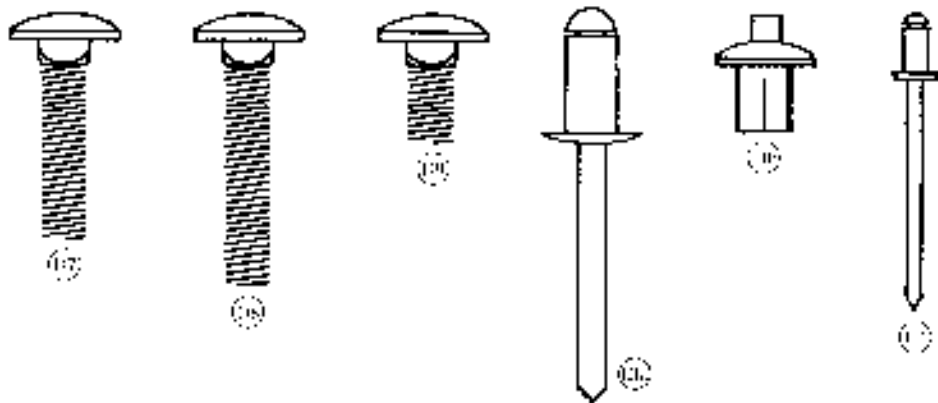
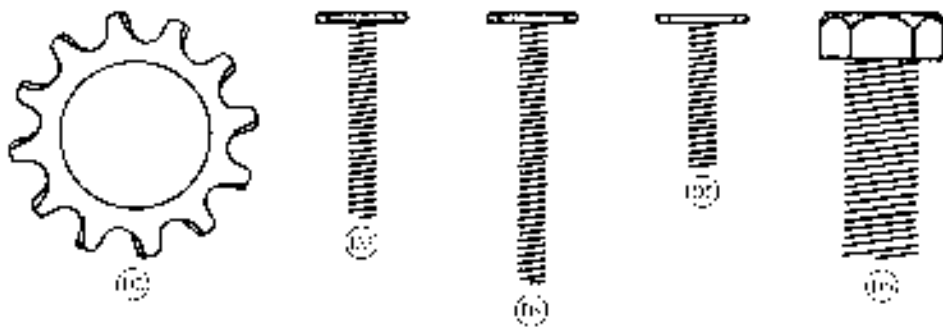
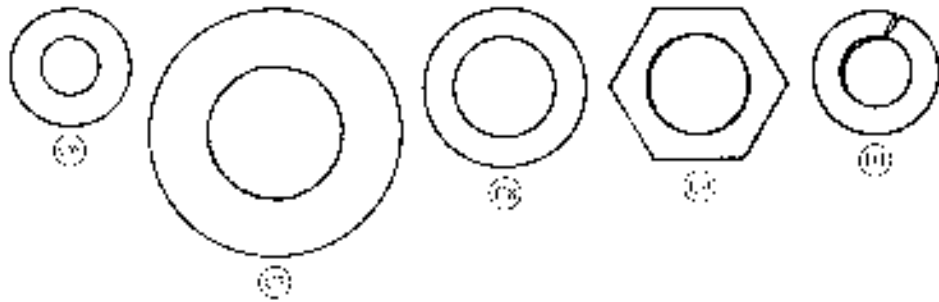
Screws & Nuts - Pepsi (Magnum)



Screws & Nuts - Pepsi (Magnum)

Item	Part Number	Part Name And Description
A1	900,301,700.01	Sems Screw #6 - 32 x $\frac{3}{8}$
A2	900,301,640.01	Sems Screw #8 - 32 x $\frac{1}{8}$
A3	900,301,830.01	Screw, Phil Pan #10 - 32 x $\frac{3}{16}$
A4	900,301,500.01	Screw, Phil Pan (without washer) #8 - 18 x $\frac{1}{8}$
A5	900,301,970.01	Screw, Phil Pan #8 - 32 x $\frac{1}{4}$
A6	900,600,230.02	Sheet Metal Screw, Type "A"
A7	900,300,470.01	Screw, Phil Pan #4 x $\frac{1}{2}$
A8	900,301,820.01	Vend Motor Screw #4 x $1\frac{1}{2}$
	900,301,610.01	Vend Motor Screw #4 x $1\frac{1}{8}$
A9	900,301,560.01	Sems Screw #8 - 32 x $\frac{3}{8}$
AA	900,201,310.01	Machine Screw #6 - 32 x $1\frac{1}{4}$
AB	900,301,960.01	Sems Screw #8 - 32 x $\frac{1}{4}$ (not shown)
B1	900,301,850.01	Sems Screw #8 - 32 x $\frac{1}{8}$
B2	900,300,160.01	Sems Screw #6 x $\frac{3}{8}$
B3	900,301,810.01	Screw #10 - 32 x $1\frac{1}{2}$
B4	900,201,140.01	Screw, Machine Truss #10 - 32 x $\frac{1}{8}$
B5	900,301,730.21	Self-Tapping Screw $\frac{1}{4}$ - 20 x 1
B6	900,301,650.01	Screw, Phil Pan (with washer) #8 - 18 x $\frac{1}{8}$
B7	900,302,010.01	Self-Tapping Screw $\frac{1}{4}$ - 20 x $\frac{3}{8}$
B8	900,301,690.01	Screw, Hex Tap #8 - 32 x $\frac{1}{4}$
B9	900,800,650.01	Keps Nut #10 - 32
C1	900,901,510.02	Screw, Phil Pan Tapping
C2	900,800,670.01	Keps Nut #4 - 20
C3	900,800,500.01	Keps Nut #8 - 32
C4	900,800,690.01	Keps Nut (Top Lock Flange) $\frac{1}{8}$ - 16
C5	900,800,850.01	Speed Nut
CC	900,201,220.11	Machine Screw #8 - 32 x $\frac{1}{4}$
DD	900,800,490.01	Keps Nut #6 - 32

Washers, Bolts & Misc. - Pepsi (Magnum)



Washers, Bolts & Misc. - Pepsi (Magnum)

Item	Part Number	Part Name And Description
C6	900,700,600.01	Washer, Flat
C7	901,303,770.01	Washer, Hinge
C8	901,503,060.01	Washer, Flat (T-Handle)
C9	901,503,080.01	Washer, Hex (T-Handle)
D1	900,700,360.01	Lockwasher, 1/8"
D2	900,700,890.01	Lockwasher, 3/8"
D3	900,400,430.01	T Bolt #8 - 32 x 1
D4	900,400,410.01	T Bolt #8 - 32 x 1 1/2
D5	900,400,350.31	T-Roll # 8 - 32 x 3/8
D6	900,400,440.01	Refrigeration Bolt 3/8 - 16 x 1
D7	900,201,170.01	Carriage Bolt 1/2 - 20 x 1
D8	900,201,230.11	Carriage Bolt 1/2 - 20 x 1 1/4
D9	900,201,450.01	Carriage Bolt 1/2 - 20 x 1/2
E1a	901,100,430.01	Pop Rivet 1/4"
E1b	901,100,440.01	Drive Rivet 1/2"
E2	901,100,520.01	Pop Rivet 1/2"
E3	900,902,130.01	Christmas Tree Clip
E4	900,901,890.01	Tinnerman Clip
E5	900,401,090.01	Grommet, Black Rubber #97
F6	901,503,070.01	F Ring
F7	900,900,900.01	Retainer
H8	900,800,510.01	Elastic Stop Nut #8 - 32
H9	900,301,980.01	Phil Pan Shoulder Screw #8 - 18 x 1 1/2