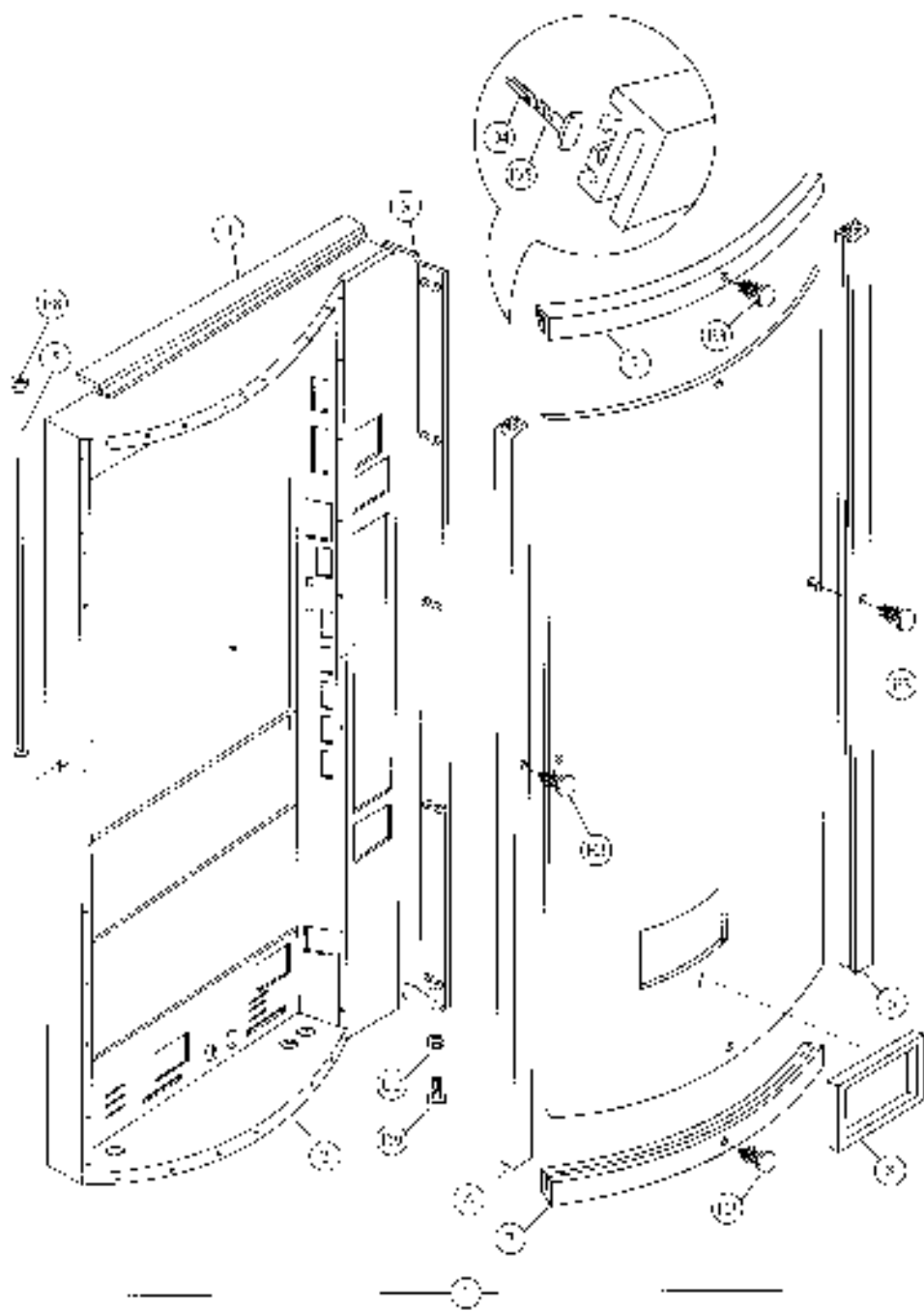




Pepsi (Magnum Cir.) DNCB 276MC & 300MC

Dimensions	72" H x 28 3/4" W x 30 1/2" D (1829mm H x 719mm W x 775mm D)	
Dimensions Less Door	72" H x 28 3/4" W x 27 1/2" D (1829mm H x 719mm W x 698mm D)	
Approximate Weight	574 lb. (260kg)	
Selections/Columns	300	55
	276	66
Total 12 oz. (355ml) Cans Capacity/Vend	300	3,000/300
	276	2,820/270
Column Capacity 12 oz. (355ml) Cans	300	5 Double Columns - 62 Each
	276	3 Single Columns - 32 Each 3 Double Columns - 62 Each

Main Door - Exterior - Pepsi (Magnum Circular)

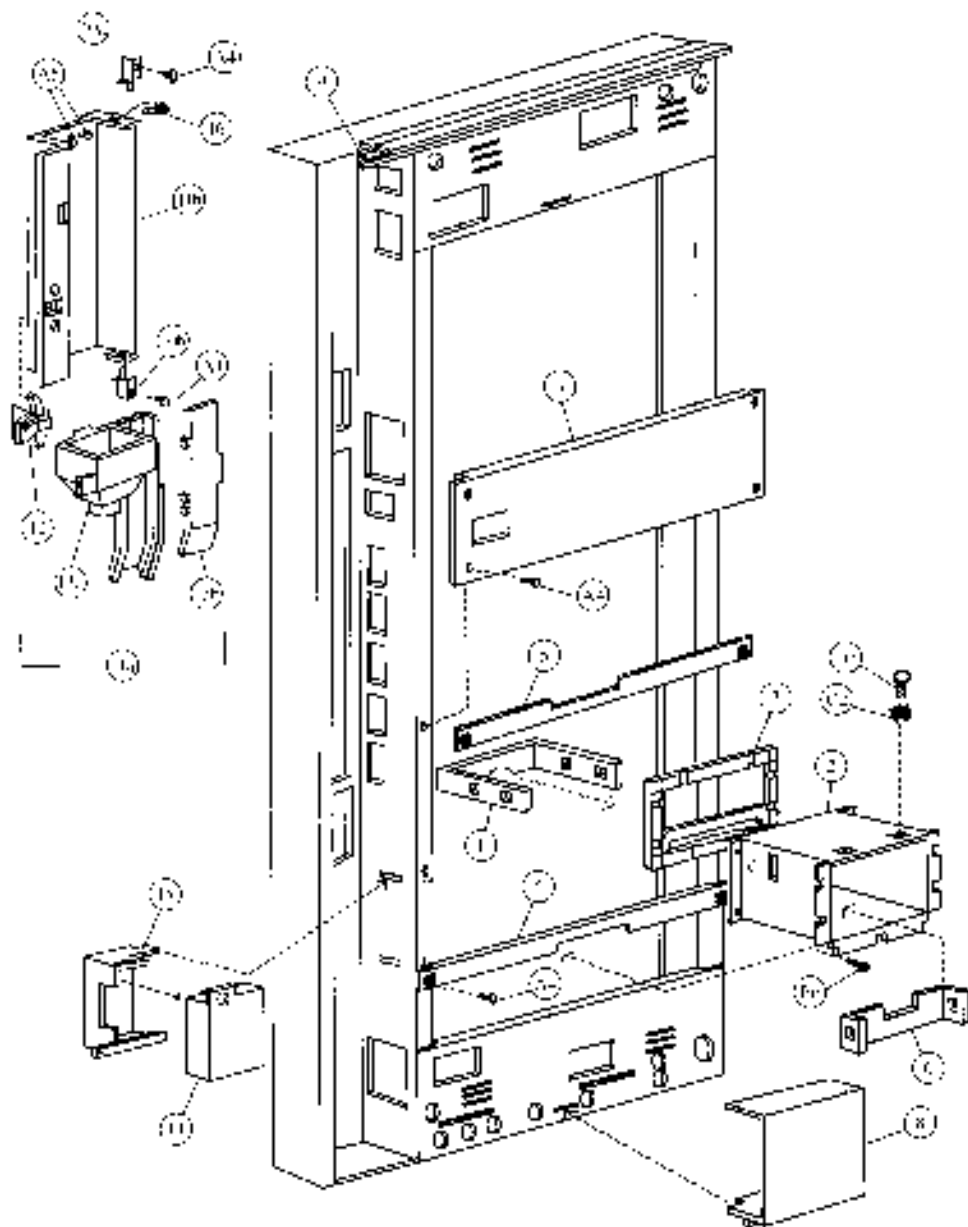


Main Door - Exterior - Pepsi (Magnum Circular)

Item	Part Number	Part Name And Description
1	561,050,300.03	276 Main Door Assembly (specify graphics & harness)
	561,050,400.03	300 Main Door Assembly (specify graphics & harness)
2	561,050,600.03	276 & 300 Main Door Weld Assembly
3	165,150,331.43	Protective Plate Door
4	169,050,342.23	Rain Guard
5	900,502,520.21	Tie Rod
6	801,805,470.01	68 1/8" (1731mm) Vertical Trim L.S. & RS
7	801,805,470.01	29 1/2" (738mm) Horizontal Trim (top & bottom)
8	801,602,860.31	Delivery Port Trim (black)

E8	900,800,510.01	Elastic Stop Nut #8 - 32
D1	900,400,410.01	T-Bolt #8 - 32 x 1 1/2
D5	900,400,350.31	T-Bolt #8 - 32 x 1/2 (46)
E3	900,902,130.01	Christmas Tree Clip (1)
D9	900,201,450.01	Carriage Bolt # - 20 x 1/2 (10)
C2	900,800,670.01	Keys Nut # - 20 (10)
C3	900,800,500.01	Keys Nut #8 - 32 (60)

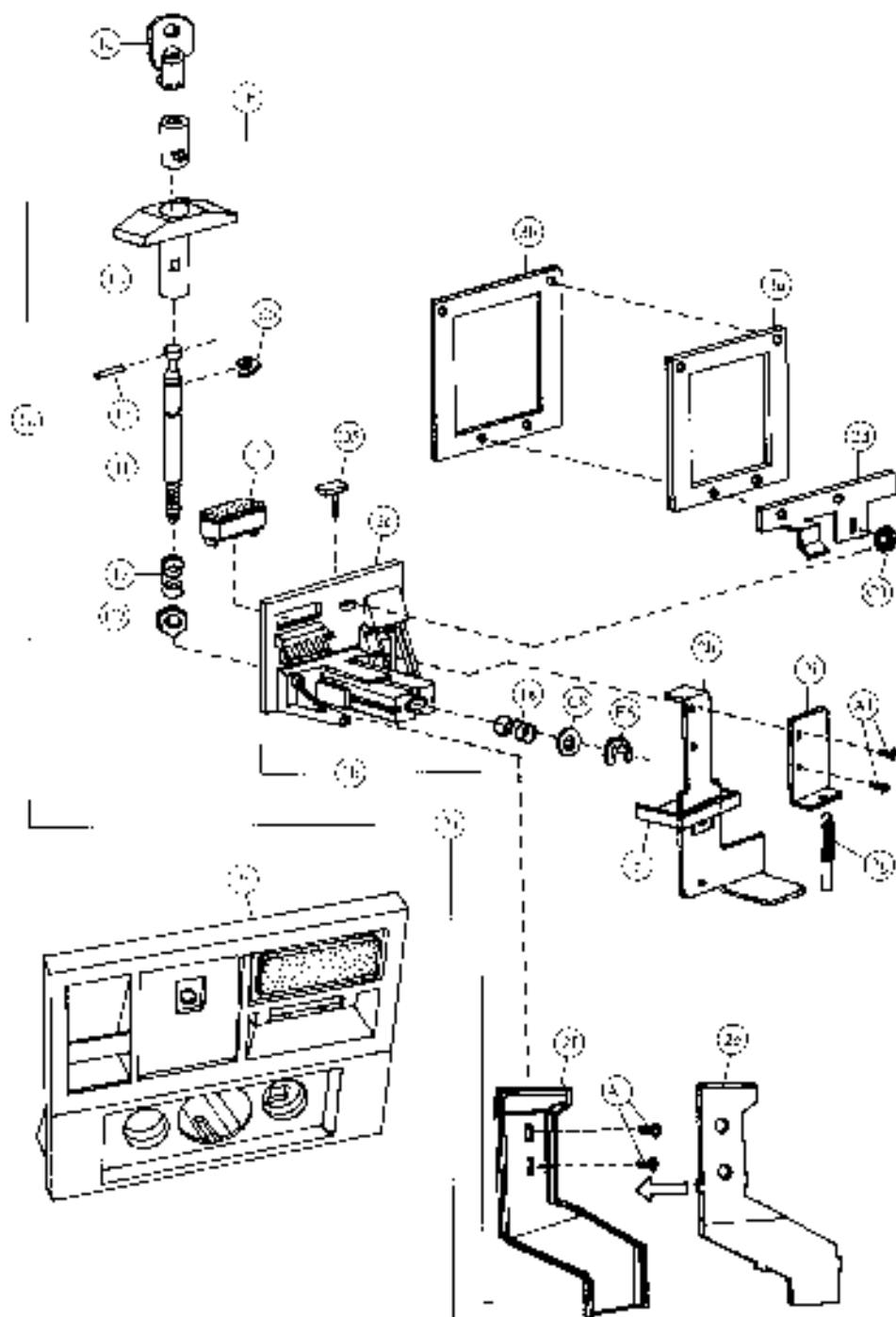
Main Door - Interior - Pepsi (Magnum Circular)



Main Door - Interior - Pepsi (Magnum Circular)

Item	Part Number	Part Name And Description
1	435,050,110.03	Discharge Member
2	435,050,400.03	Delivery Port (black frame)
3	801,805,680.01	Port Spacer
4	456,050,060.13	Center Door Stiffener
5	394,050,020.63	Delivery Port Stiffener
6	432,010,510.13	Closure Strip
7	901,901,890.01	1" Clamp (not shown)
8	432,050,660.03	Cover Wire Plug
9	903,600,540.01	L-Profile Gasket
10a	432,051,000.03	Access Door Top Hinge, w/a
10b	432,051,101.63	Access Door Bottom Hinge, w/a
11a	491,050,600.03	Access Door Assembly
11b	432,150,030.43	Access Door
12	901,902,130.11	Access Door Latch
13a	801,806,580.51	Coin Hopper and Chute
13b	801,806,590.11	Coin Chute Front
14	432,051,800.13	Cash Box, w/a
15	432,050,181.43	Cash Box Shelf
16	804,902,610.01	4" Ground Wire (102mm)
B6	900,301,650.01	Screw, Phil Pan (with washer) #8 - 18 x 1/2 (3)
C3	900,800,500.01	Keps Nut #8 - 32
A4	900,301,500.01	Screw, Phil Pan (without washer) #8 - 18 x 1/2 (9)
D7	900,201,170.01	Carriage Bolt 1/4 - 20 x 1 (6)
C2	900,800,670.01	Keps Nut 1/4 x 20 (6)
A9	900,301,560.01	Sems Screw #8 - 32 x 3/8
A5	900,301,970.01	Screw, Phil Pan #8 - 32 x 1/4 (3)
B1	900,201,140.01	Screw, Machine Truss #10 - 32 x 1/2 (2)
B9	900,800,650.01	Keps Nut #10 - 32 (not shown) (2)

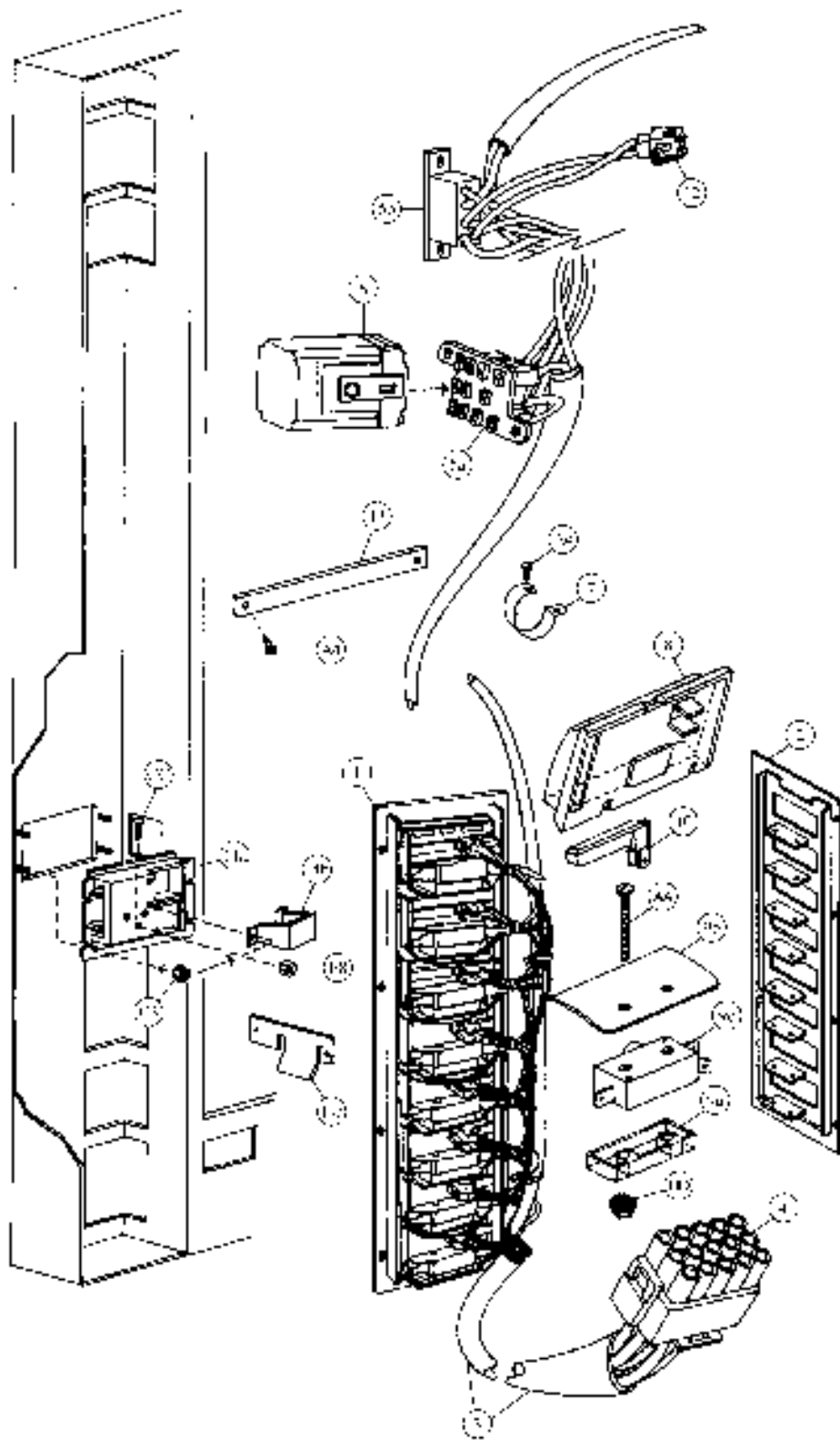
Pull-Out Handle & Coin Insert - Pepsi (Magnum Circular)



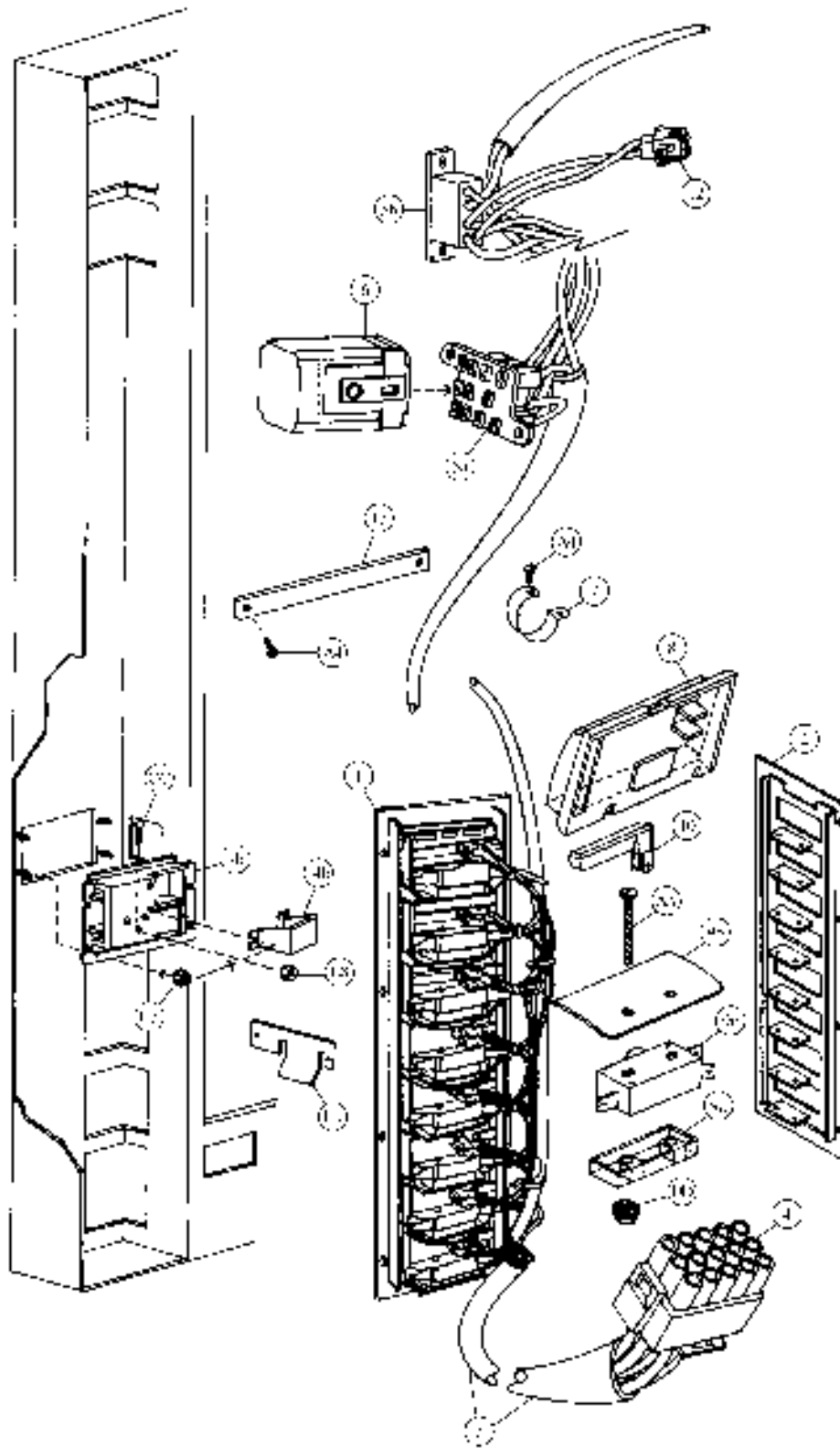
Pull-Out Handle & Coin Insert - Pepsi (Magnum Circular)

Item	Part Number	Part Name And Description
1a	801.503.040.01	T-Handle Assembly
1b	Specify key number	Lock with Two Keys
1c	Specify key number	Key Only
1d	801.503.730.01	Handle Only
1e	901.503.050.01	Spring
1f	4255-6-44W	Shad
1g	901.503.090.1	Cross Pin
2a	See list below	Coin Insert Assembly with T-Handle
	480.150.600.04	Domestic (USA & Canada)
2b	See list below	Coin Insert Assembly without T-Handle
	480.150.500.03	Domestic (USA & Canada)
	480.250.500.03	Export (all others except listed below)
	480.450.500.03	Mexico
2c	See list below	Argentina - Token
		Coin Insert
	801.201.180.21	Domestic (USA & Canada)
	801.201.190.41	Export (all others except listed below)
	801.201.290.21	Mexico
	801.201.350.11	Argentina - Token
2d	506.050.020.13	Coin Insert Retainer
3a	801.805.800.31	Coin Chute Cover
3b	801.805.790.81	Coin Chute
3c	901.700.630.11	Spring Extension
3d	453.050.800.03	Coin Return Plunger Assembly
3e	432.050.570.34	Plunger Bracket
3a	360.050.720.54	Validator Plate
3b	902.001.110.21	Gasket Validator (Black)
4	See list below	Correct Change Lamp
	804.700.180.31	English "Use Correct Change"
	804.700.500.01	English, IEC Standard "Use Correct Change"
	804.700.490.01	Spanish "Importe Exacto"
	804.700.150.01	French "Fautes L' Argent"
	804.700.400.01	Italian "Usare Moneta Corretta"
	804.700.170.01	Arabic "Lafsan Para Aqliz"
	804.700.430.01	German "Abgezahletes Geld Verwenden"
	804.700.490.01	Portuguese "Introduza Quantia exacta"
5	801.808.080.01	Drip Chute
6a	901.503.070.01	O-Ring
6b	901.503.060.01	Flat Washer
6c	901.503.080.01	Hex Washer
6d	900.301.790.01	Sems Screw #6 - 32 x 1/2
6e	901.501.500.01	Keys Nut #8 - 32
6f	900.400.350.01	T-Bolt #8 - 32 x 1/4

Select Panel - Pepsi (Magnum Circular)



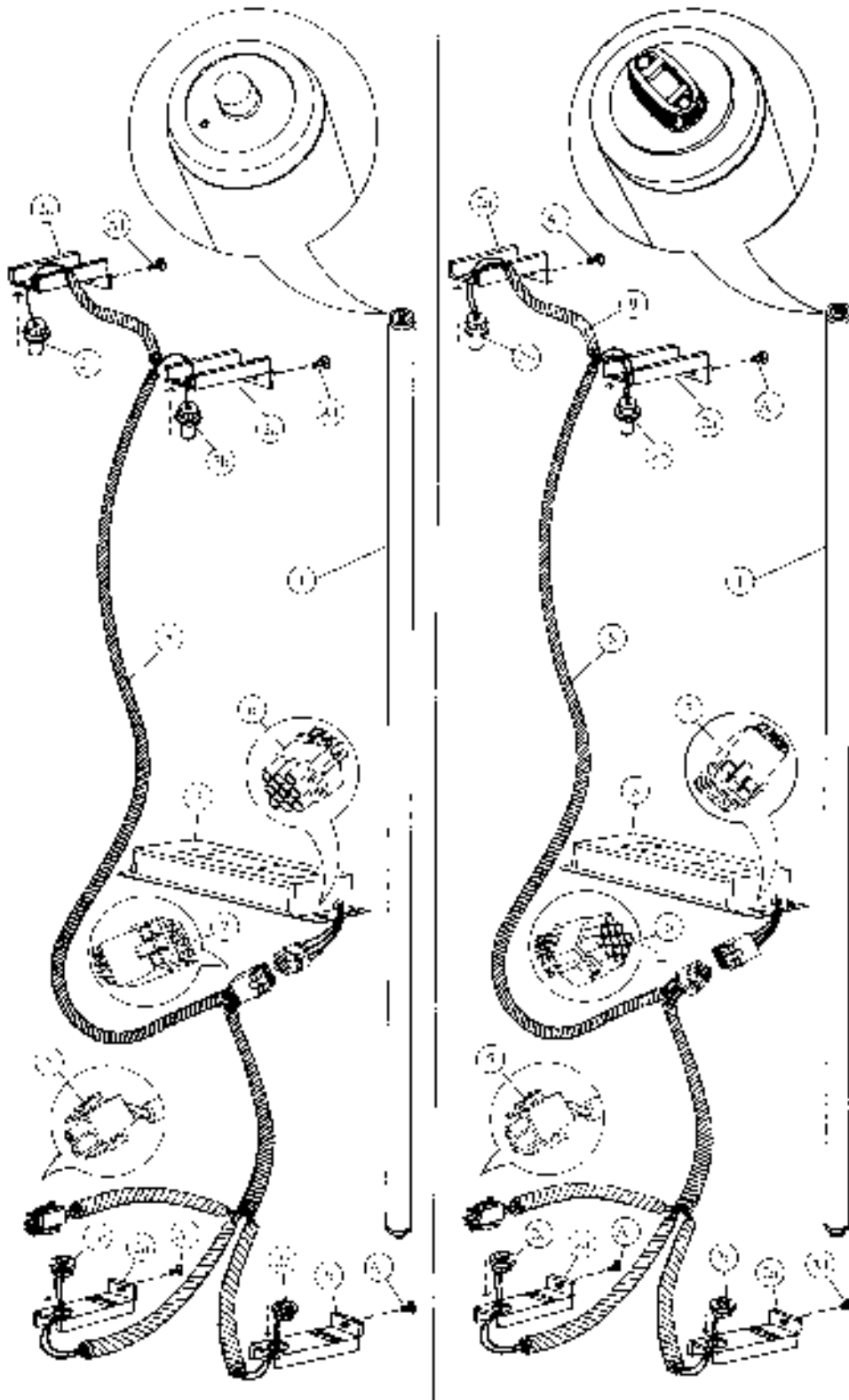
Select Panel - Pepsi (Magnum Circular)



Select Panel - Pepsi (Magnum Circular)

Item	Part Number	Part Name And Description	
1	488,050,300.03	Select Panel Assembly	(specify harness)
2	488,050,200.03	Select Panel, w/w	
3a	See list below	276 Door Harness	(6 select)
	804,903,710.11	Single Price & Single Price - IEC Standard	
	804,903,840.11	Two Price & Two Price - IEC Standard	
	804,904,010.11	Four Price & Four Price - IEC Standard	
3b	See list below	300 Door Harness	(5 select)
	804,902,460.41	Single Price & Single Price - IEC Standard	
	804,903,200.41	Two Price & Two Price - IEC Standard	
	804,903,420.21	Four Price & Four Price - IEC Standard	
4	904,600,830.01	15-Way Plug	
5a	904,600,620.01	Socket, Relay	
5b	904,600,600.01	Socket, Coin Changer	
6	804,200,170.01	Vend Relay (single price only)	
7	901,901,890.01	1" Clamp	
8	801,805,110.01	Button (small rectangle)	
9a	801,804,540.21	Button Stop	
9b	801,804,620.11	Switch Shield & Spring, Mylar	
9c	804,100,510.21	Select Switch (Crimps A401)	
10	804,700,210.01	Sold Out Lamp	
11	Indicate Flavor	Flavor Cards	(not shown)
12	904,600,700.01	2-Way Cap	
13	453,050,140.03	Door Strap	
14a	801,805,610.11	Change Cup & Opener Bezel	
14b	801,805,530.21	Change Cup	
14c	399,050,270.13	Opener Housing Reinforcement Plate	
15	901,000,190.01	Crown Puller	(not shown)
16	432,050,400.03	Crown Catcher	(not shown)
17	432,050,280.33	Crown Chute	(not shown)
DD	900,800,490.01	Keps Nut #6 - 32	(12)
CC	900,201,220.11	Machine Screw #8 - 32 x 3/4	
18	900,800,510.01	Elastic Stop Nut #8 - 32	
A4	900,301,500.01	Screw, Phil Pan #8 - 18 x 1/2	(2)
A9	900,301,560.01	Sems Screw #8 - 32 x 3/8	(7)
D3	900,400,430.01	T-Bolt #8 - 32 x 1	(4)
C3	900,800,500.01	Keps Nut #8 - 32	(14)
AA	900,201,310.01	Screw #6 - 32 x 1 1/4	(20)

Lighting - Pepsi (Magnum Circular)



Stuntline

High Output

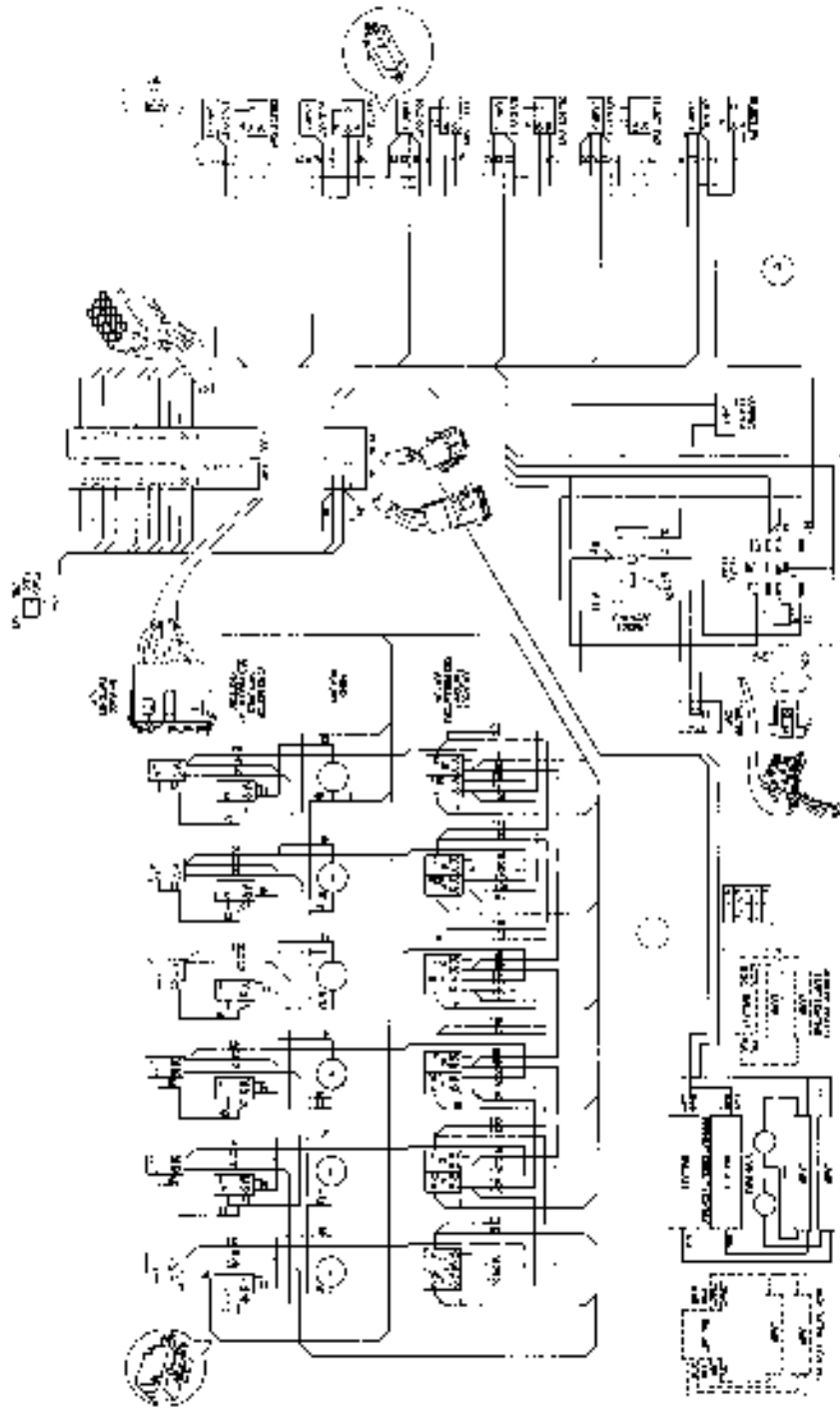
Lighting - Pepsi (Magnum Circular)

Item	Part Number	Part Name And Description
High Output Lighting		
1	804,700,370.01	Fluorescent Bulb - F64T12/D/HO
2a	432,050,380.63	Door Bracket Lamp Socket
2b	804,901,990.01	Top Lamp Holders - 523
2c	804,902,000.01	Bottom Lamp Holders - 524
3	804,400,380.01	Plug-In Ballast, Advance #VSM/HO
4	904,800,520.01	Connector, Electrical (scotchlock 557)(not shown)
5	904,600,710.01	2-Way Plug
6	904,600,670.01	9-Way Plug
7	904,600,660.01	9-Way Cap
8	804,904,510.21	Plug-In Ballast Harness, High Output
9	804,904,920.21	Lamp Fixture Jumper, High Output

Slimline Lighting		
1	804,700,300.01	Fluorescent Bulb - F64T12/DAYLT
2a	432,050,380.63	Door Bracket Lamp Socket
2b	804,902,020.01	Top Lamp Holders - 516
2c	804,902,030.01	Bottom Lamp Holders - 517
3	804,400,370.11	Plug-In Ballast, Slimline
4	904,800,520.01	Connector, Electrical (scotchlock 557)(not shown)
5	904,600,710.01	2 Way Plug
6	904,600,670.01	9-Way Plug
7	904,600,660.01	9-Way Cap
8	804,904,600.51	Plug In Ballast Harness, Slimline

A1	900,301,700.01	Sheet Metal Screw #6 - 32 x 3/8	(1)
----	----------------	---------------------------------	-----

Wiring Harness - Pepsi (Magnum Circular)

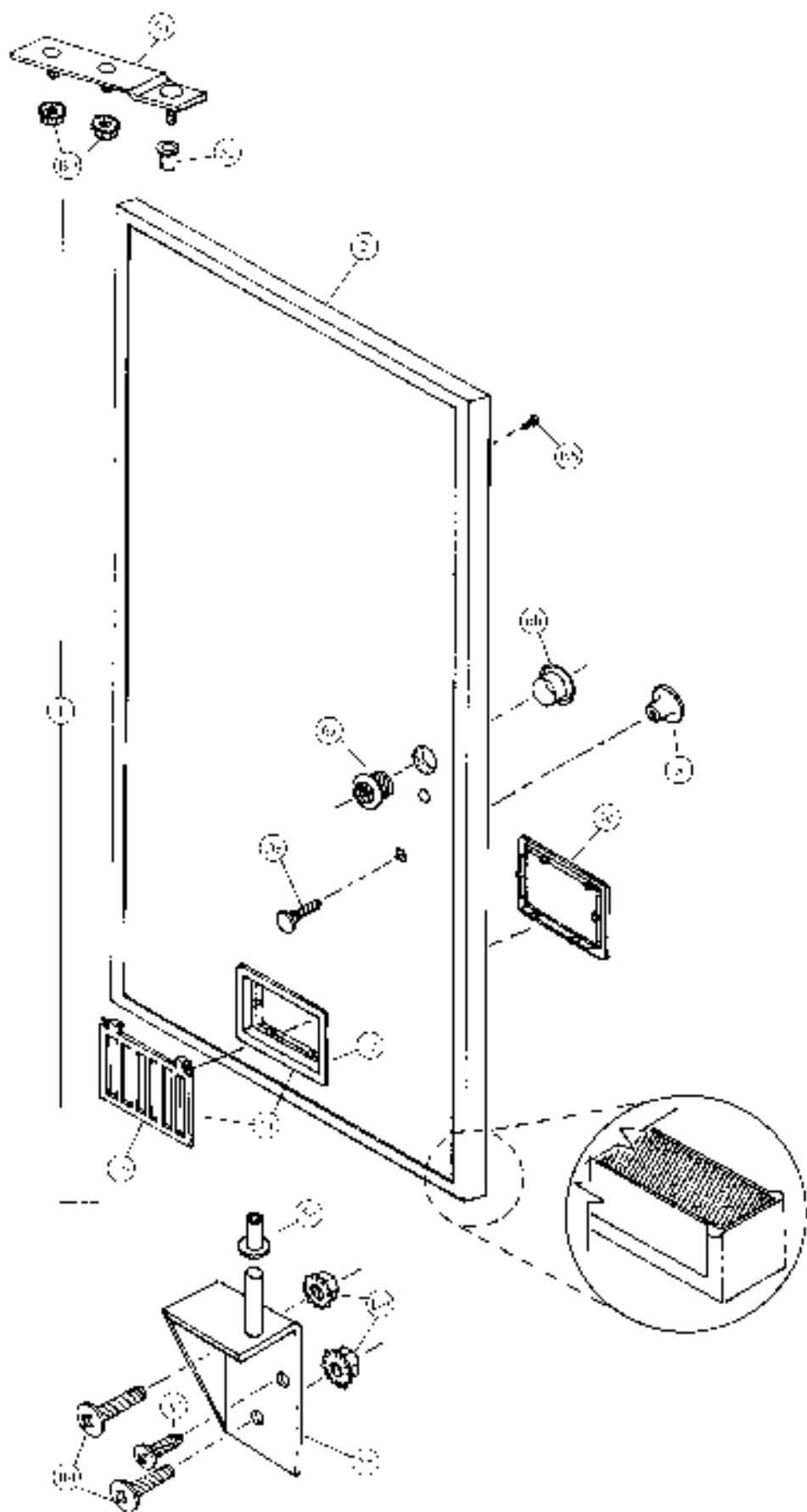


Sample Diagram
6 Column Dual Adaptable, Single Price

Wiring Harness - Pepsi (Magnum Circular)

Item	Part Number	Part Name And Description
1a	See list below	276 Cabinet Harness (6 select)
	804,903,660.11	Single Price & Single Price - IEC Standard
	804,904,310.01	Two/Four Price & Two/Four Price - IEC Standard
1b	See list below	300 Cabinet Harness (5 select)
	804,903,650.11	Single Price & Single Price - IEC Standard
	804,904,350.11	Two/Four Price & Two/Four Price - IEC Standard
2a	See list below	276 Door Harness (6 select)
	804,903,710.11	Single Price & Single Price - IEC Standard
	804,903,840.11	Two Price & Two Price - IEC Standard
	804,904,010.11	Four Price & Four Price - IEC Standard
2b	See list below	300 Door Harness (5 select)
	804,903,720.01	Single Price & Single Price - IEC Standard
	804,903,850.01	Two Price & Two Price - IEC Standard
	804,904,020.01	Four Price & Four Price - IEC Standard

Inner Door - Pepsi (Magnum Circular)



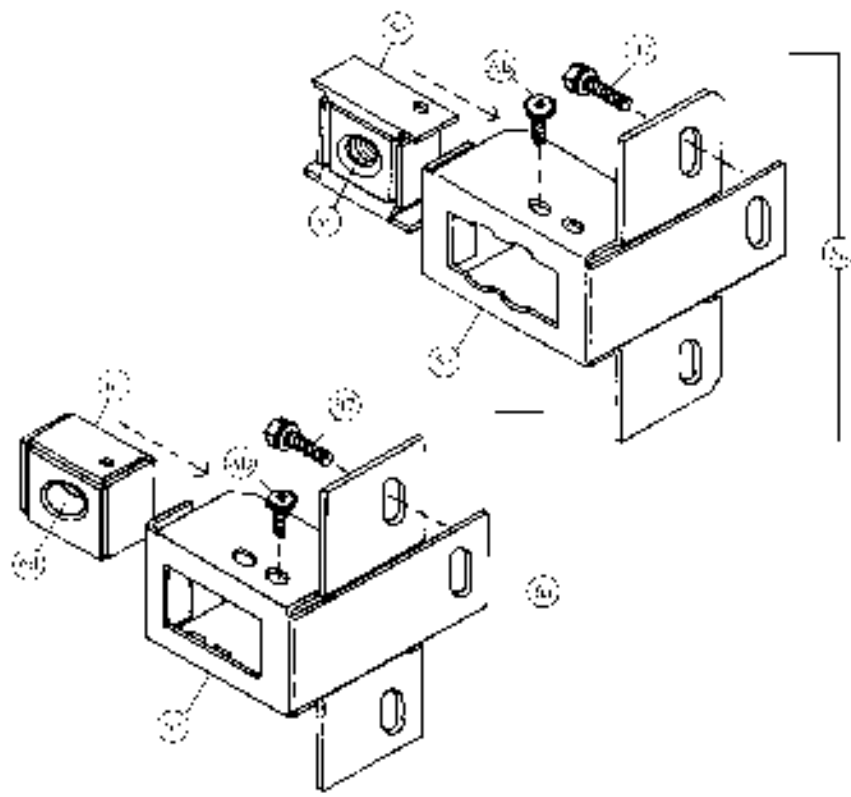
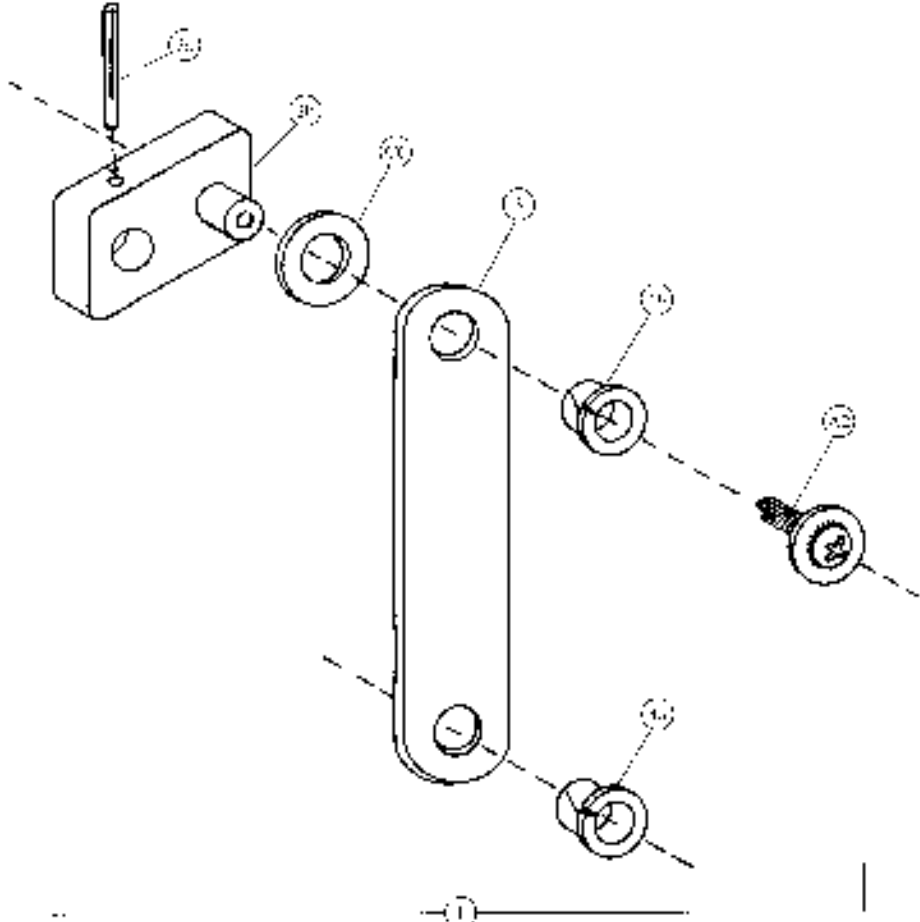
Inner Door - Pepsi (Magnum Circular)

Item	Part Number	Part Name And Description
1	561,050,900.03	Inner Door Assembly
2	801,804,030.01	Inner Door Gasket
3	901,501,700.01	Knob
4a	801,806,920.01	Discharge Frame Assembly (includes 4b & 4c)
4b	801,806,600.01	Delivery Door
4c	801,806,550.01	Discharge Frame
4d	801,806,560.01	Retainer Frame Inner Door
5a	169,053,001.13	Inner Door Top Hinge, w/a
5b	169,051,101.63	Inner Door Bottom Hinge, w/a
5c	901,803,710.01	Plastic Bearing
6a	801,806,420.51	Bushing - Inner Door
6b	801,806,430.31	Bushing Retainer - Inner Door
7	804,902,610.01	4" Ground Wire (102mm) (not shown)

D8	900,201,230.11	Carriage Bolt $\frac{1}{4}$ - 20 x $1\frac{1}{2}$	
B6	900,301,650.01	Screw, Phil Pan #8 - 18 x $\frac{1}{2}$ (with washer)	(53)
A4	900,301,500.01	Screw, Phil Pan #8 - 18 x $\frac{1}{2}$ (without washer)	
B9	900,800,650.01	Keys Nut #10 - 32	(4)
R-1	900,201,140.01	Screw, Machine Truss #10 - 32 x $\frac{1}{2}$	(2)

When ordering parts, indicate Model # and Serial # of vendor.
 All Part Numbers and Prices are subject to change without notice.

Two-Bar Linkage & Nut Retainer Housing - Pepsi (Magnum Cir.)

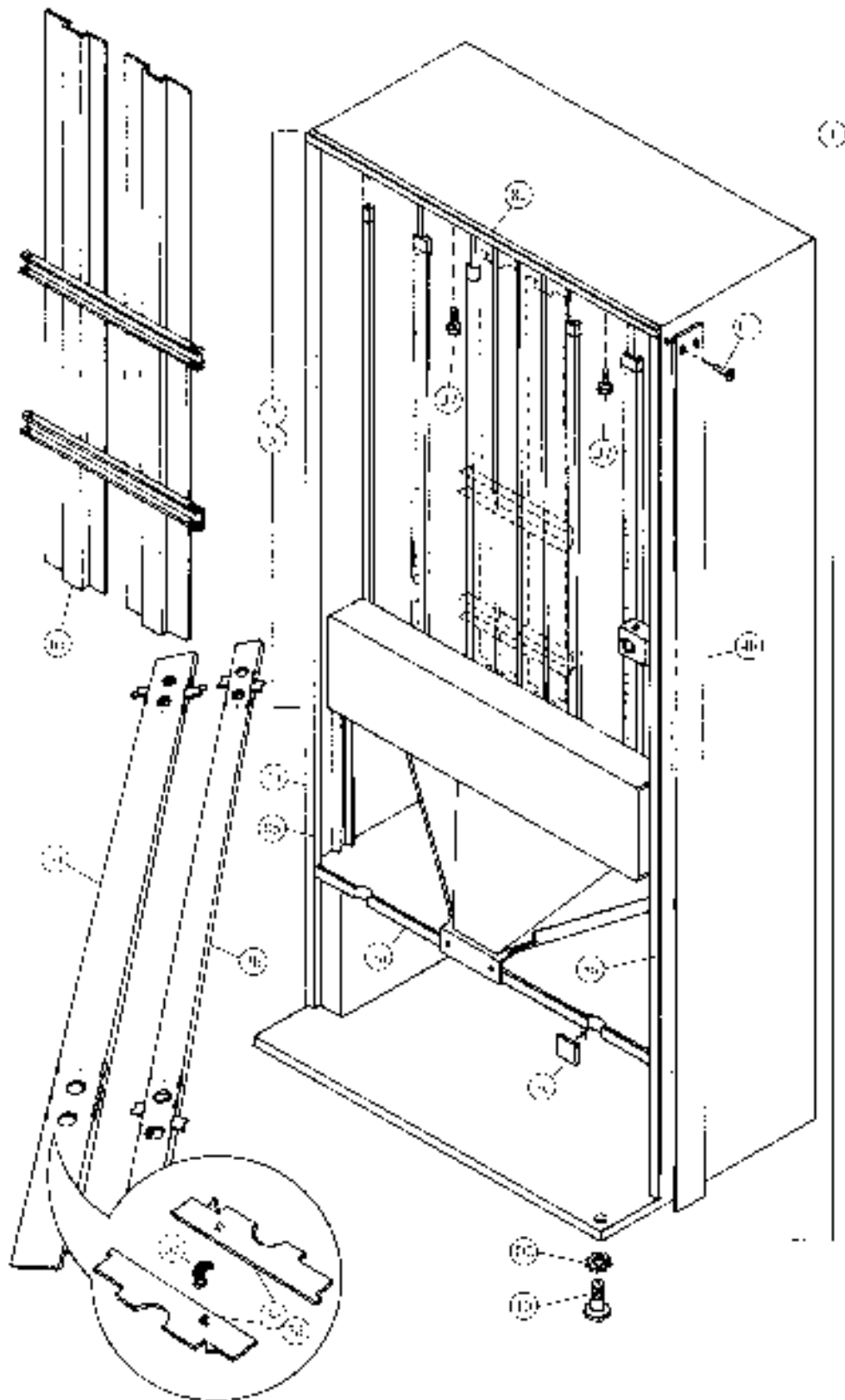


Two-Bar Linkage & Nut Retainer Housing - Pepsi (Magnum Cir.)

Item	Part Number	Part Name and Description
1	491,070,500.03	Linkage & Drive Arm Assembly
2a	900,901,940.01	Groove Pin, 1 3/4" (30mm)
2b	801,200,950.61	Drive Arm
3	801,201,030.11	Linkage Arm
4a	901,803,160.01	Top Nyliner
4b	901,804,770.01	Bottom Nyliner
5a	485,050,200.03	Traditional Short Nut Retainer Housing Assy.
5b	432,050,730.23	Traditional Nut Retainer Housing
5c	801,303,850.21	Traditional Cage Nut
5d	900,800,570.11	Square Nut, 1/2 - 13 N.C.
6a	432,052,600.04	Star Lock Nut Retainer Housing Assembly
6b	432,050,740.33	Star Lock Nut Retainer Housing
6c	432,050,760.03	Cage Nut Star Lock
6d	801,505,510.01	Latch Housing Star Lock

A3	900,301,960.01	Sems Screw #8 - 32 x 1/4
C6	900,700,600.01	Flat Washer, Delrin .040
A2	900,301,640.01	Sems Screw #8 - 32 x 1/2
B7	900,302,010.01	Sems Screw 1/4 - 20 x 3/8
A5	900,301,970.01	Phil Pan Screw #8 - 32 x 1/4

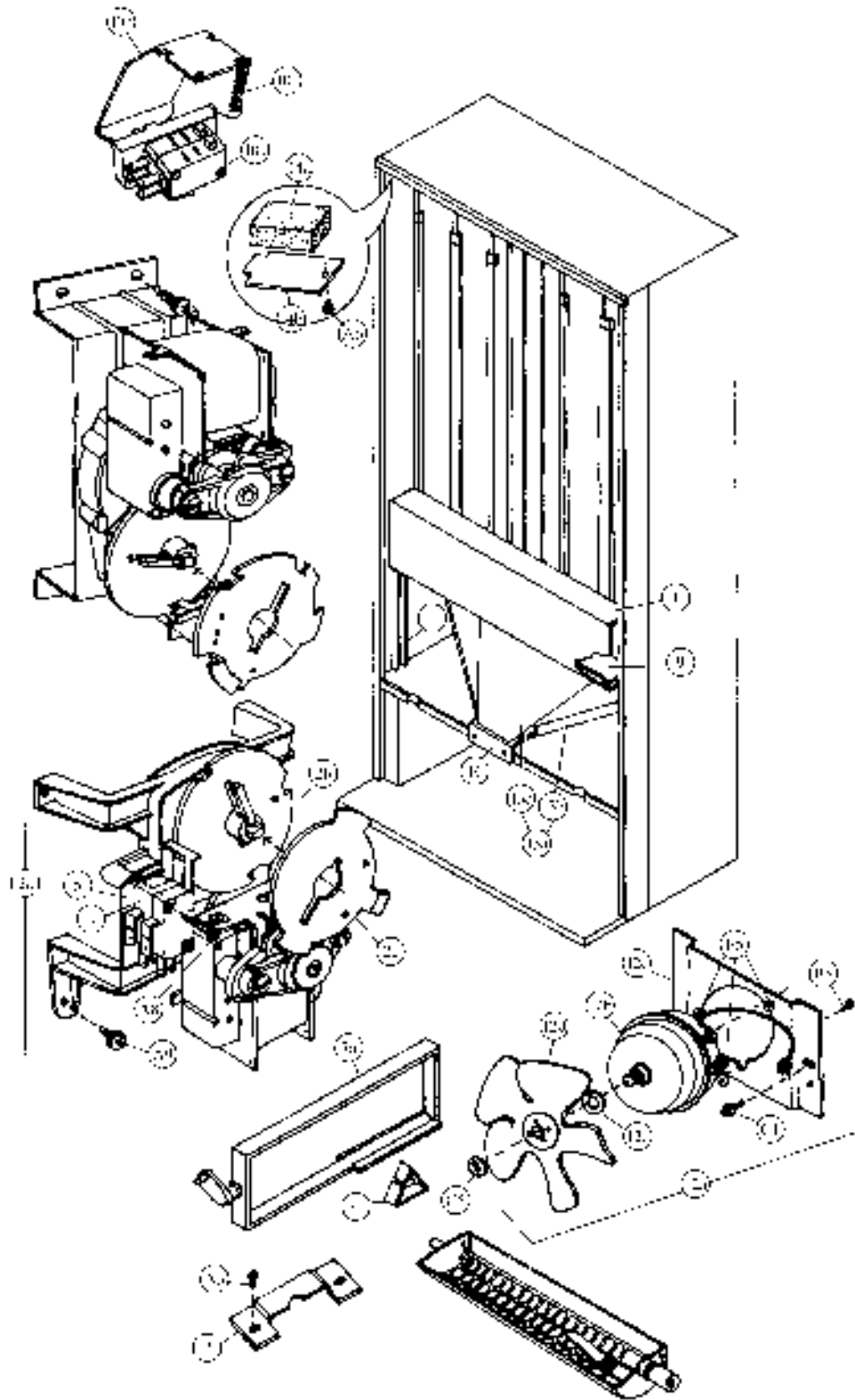
Cabinet Interior - Pepsi (Magnum Circular)



Cabinet Interior - Pepsi (Magnum Circular)

Item	Part Number	Part Name And Description
1	493,030,700.03	Totem Cabinet Assembly
2a	See list below	276 Stack Assembly (specify harness)
	493,070,000.03	Single Price
	493,170,000.03	Two/Four Price
7b	See list below	300 Stack Assembly (specify harness)
	534,070,000.03	Single Price
	534,170,000.03	Two/Four Price
5a	492,070,200.03	Rear Spacer Assembly, Wide Column
	402,070,300.03	Rear Spacer Assembly, Narrow Column
3c	267,070,080.53	Latch Finger, Long
3d	267,070,210.15	Latch Finger, Short
3e	991,700,090.01	Rear Spacer Spring
1a	165,000,031.33	Protective Plate, L S Cabinet (not shown)
1b	165,000,041.63	Protective Plate, RS Cabinet
5	493,070,100.03	276 Stack Sub Assembly
5b	534,070,100.03	300 Stack Sub Assembly
6	493,070,200.03	Gate, w/a (276 only)
6b	491,071,000.03	Gate Hinge (276 only) (not shown)
6c	231,070,360.73	Gate Latch (276 only) (not shown)
7a	801,806,280.41	Mullion
7b	801,303,830.01	Mullion Cover, Metal (not shown)
7c	not applicable	Mullion Cover, Plastic (obsolete)
8a	492,020,040.03	Breaker Strip, Right
8b	492,020,050.03	Breaker Strip, Left
8c	493,020,060.03	Breaker Strip, Top
9a	480,000,100.13	Ballast Plate Assembly (not shown)
	491,020,800.13	Ballast Plate Assembly - IEC Standard (not shown)
9b	492,080,140.03	Ballast Plate & Ballast Plate - IEC Standard (not shown)
	900,502,490.71	Leveling Leg, 3" (4)
11	491,070,020.13	Mounting Bracket, Rear (not shown)
12	477,010,050.13	Rocket Guard, Narrow (not shown)
	476,010,100.13	Rocket Guard, Narrow - IEC Standard (not shown)
	801,100,360.01	Transformer, Busbar Isolation (not shown)
1e	804,902,170.11	Transformer, Jumper (not shown)
16a	901,902,780.01	Hoyco Wire Clip #1690 (not shown)
16b	900,901,590.01	Cable Clamp, Green (not shown)
17	800,302,010.01	Self-Tapping Screw $\frac{1}{8}$ " - 20 x $\frac{3}{4}$ "
17a	901,100,130.01	Pop Rivet, 4" (10)
18	900,301,730.21	Self-Tapping Screw $\frac{3}{8}$ " - 20 x 1" (4)
17c	901,100,440.01	Drive Rivet, 1/2" (10)
17d	800,700,890.01	Lock Washer, 5/8"
17e	901,100,520.01	Pop Rivet, 4"

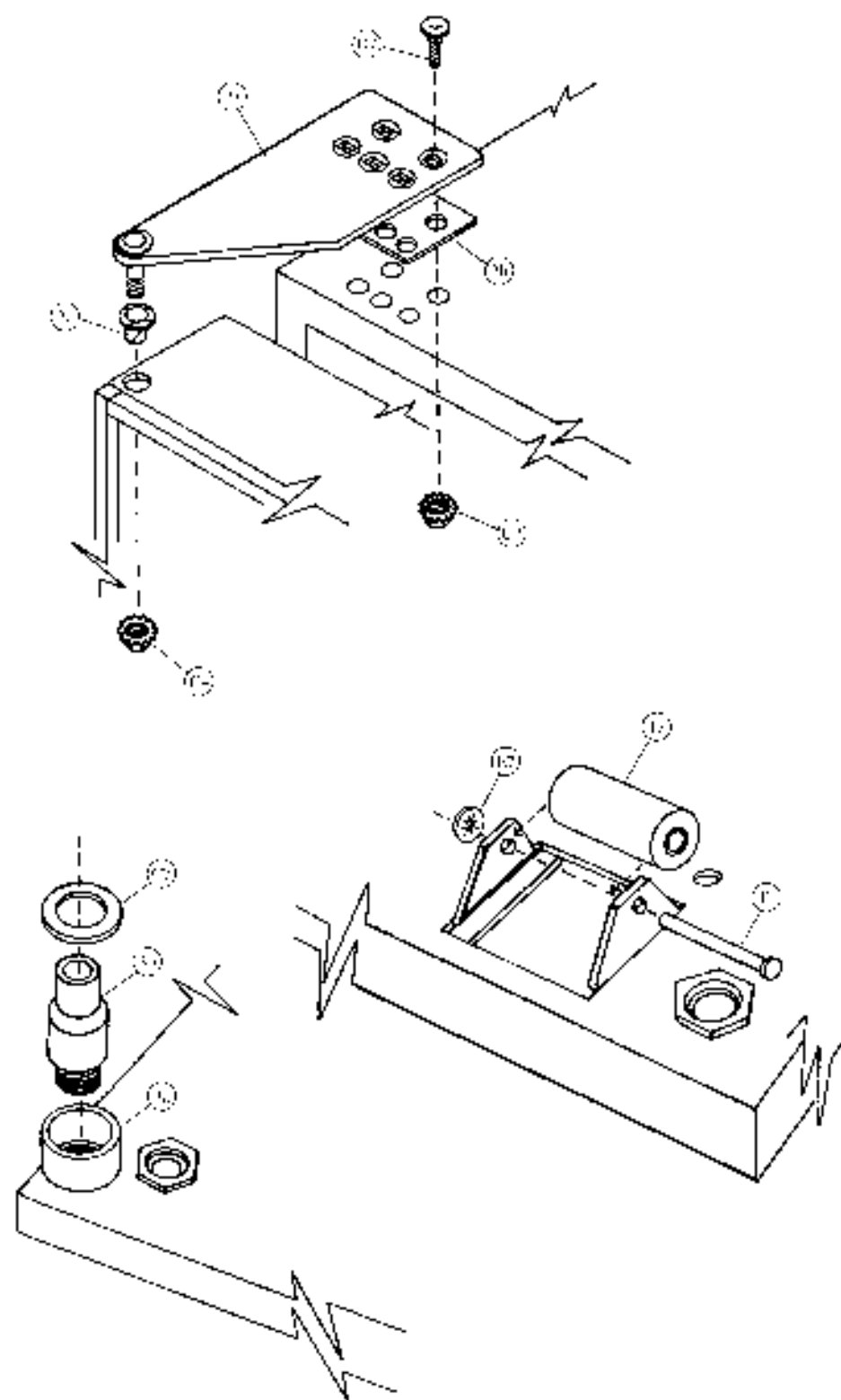
Cabinet & Vend Mechanism - Pepsi (Magnum Circular)



Cabinet & Vend Mechanism - Pepsi (Magnum Circular)

Item	Part Number	Part Name and Description	
1	493,170,510.43	Vend Motor Cover, Narrow	
	491,071,300.03	Vend Motor Cover, Narrow - ITC Standard	
2a	See list below	Vend Motor Assembly, Wide	
	491,070,300.03	Single Price	
	491,170,100.03	Two-hour Price	
2b	801,806,300.21	Vend Cmn. Blue	
2c	801,806,400.11	Adjustable Cam, Gold	
3a	See list below	Vend Motor Assembly, Narrow	
	491,070,400.03	Single Price	
	491,170,200.03	Two-hour Price	
3b	801,806,130.21	Vend Cmn. Brown	
3c	801,806,630.21	Adjustable Cam, Brown	
4	See list below	Vend Motor Switch	
	802,100,600.01	Single Price (Double Switch)	
	804,100,600.01	Single Price - ITC Standard (Double Switch)	
	804,100,700.01	Two-hour Price - ITC Standard (Triple Switch)	
5	905,800,530.12	Vend Motor Switch Translator	
6	801,201,211.6.	Vend Receiver - Narrow Column	
7	801,201,010.41	Vend Oscillator - Wide Column	
7a	901,700,650.31	Cam Retainer Oscillator	
8a	801,803,170.01	Nylon, Rear	(not shown)
8b	901,804,730.01	Nylon, Front - Wide Column only	(not shown)
9	275,070,110.43	Wire Shield	
10a	802,100,610.01	Sold Out Switch Assembly	
	804,100,680.01	Sold Out Switch Assembly - ITC Standard	
10b	142,070,190.13	Sold Out Padlock	
10c	901,700,740.01	Sold Out Paddle Spring	
11	491,020,070.32	Mechanism Support	
12a	See list below	Evaporator Fan Motor Assembly	
	491,000,200.03	115v	
	491,400,400.03	220 - 240v	
12b	See list below	Evaporator Fan Motor	
	801,500,590.01	115v	
	801,500,520.01	220 - 240v	
12c	164,040,080.73	Evaporator Fan Motor Bracket	
12d	801,304,270.11	Evaporator Fan Blade	
12e	902,100,290.01	Salvage	
13a	408,170,100.03	Can Chute Assembly	(includes 17a & 17c)
13b	408,070,010.23	Can Chute	
13c	408,070,020.03	Chute Liner	(Kydex)
14a	905,300,740.01	Foam Block	
11b	169,000,130.83	Hinge Pocket Cover	
15	176,072,110.13	Journal	
16	172,070,530.03	Support, Can/Bottle Chute	
C1	900,301,510.02	Screw, Flat Pan Tapping	
A1	900,301,830.01	Seals Screw #10 - 32 x 3/4	(8)
A6	900,500,270.02	Sheet Metal Screw, Type "A"	
H8	900,301,690.01	Hex. Tap Screw #8 - 32 x 1/2	(3)
A9	900,301,820.01	Vend Motor Screw #4 x 1/4 - Double Switch	(16)
	900,301,610.01	Vend Motor Screw #1 x 1/4 - Triple Switch	
A3	900,301,560.01	Seals Screw #8 - 32 x 1/2	(28)
13	900,401,090.01	Grommet, Black Rubber #97	(3)
C5	900,800,850.01	Speed Nut	
B1	900,301,450.01	Seals Screw #8 - 32 x 3/4	

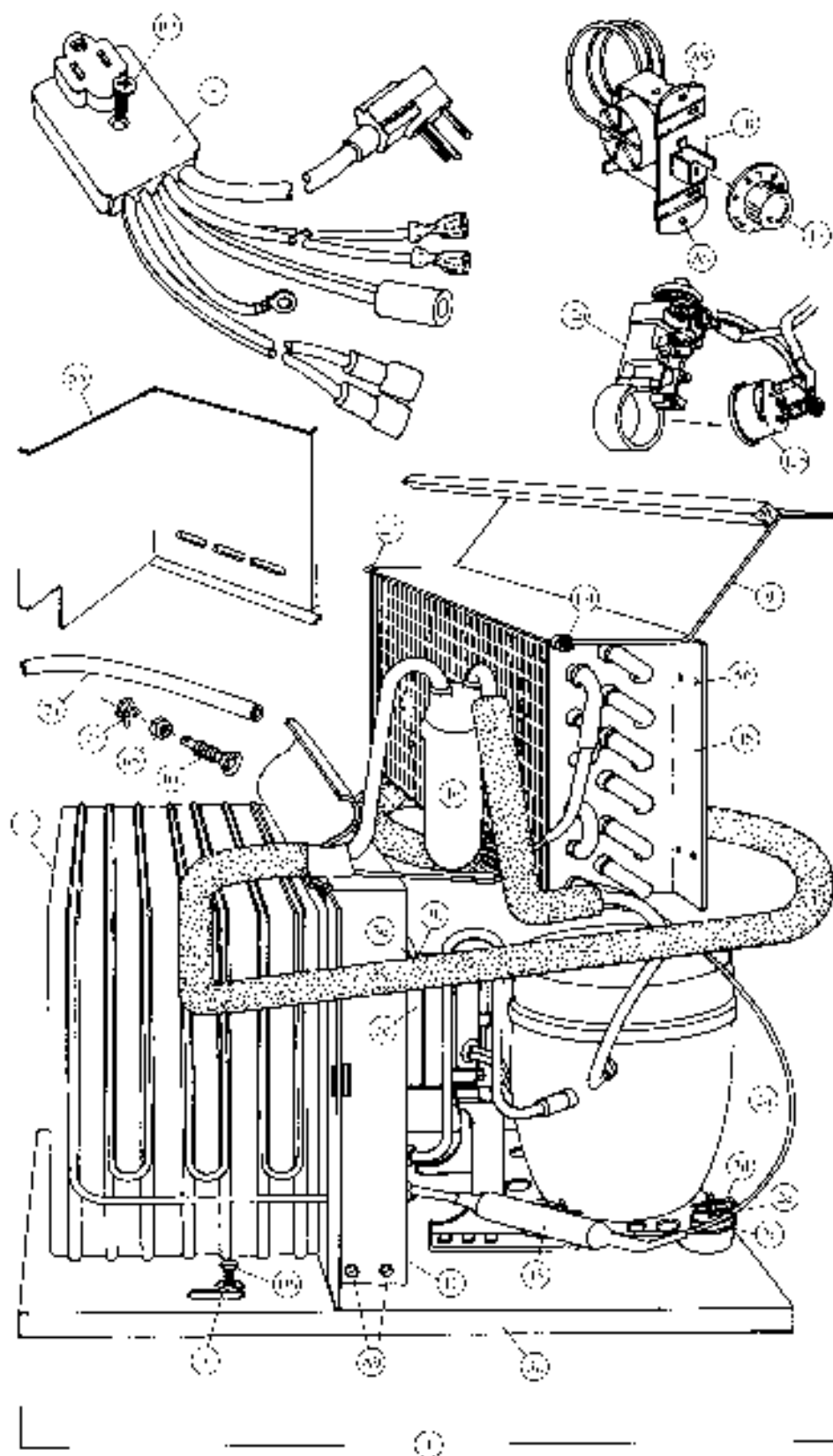
Hinges and Rollers - Pepsi (Magnum Circular)



Hinges and Rollers - Pepsi (Magnum Circular)

Item	Part Number	Part Name And Description	
1a	901,806,200.11	Roller	
1b	900,502,190.01	Roller Pin	
2a	801,303,730.01	Top Hinge	
2b	169,000,150.53	Hinge Spacer	
2c	901,803,150.01	Standard Hinge Nyliner	
3a	900,502,640.01	Bottom Hinge Sleeve	
3b	902,502,700.01	Bottom Hinge Pin	
U7	900,900,900.01	Retainer	
D7	900,201,170.01	Carriage Bolt $\frac{1}{4}$ - 20 x 1	(5)
C2	900,800,670.01	Keps Nut $\frac{1}{4}$ - 20	(5)
C7	901,303,770.01	Flat Washer	
C8	900,800,690.01	Keps Nut, Top Door Hinge $\frac{1}{8}$ - 16	

Refrigeration - Pepsi (Magnum Circular)



Refrigeration - Pepsi (Magnum Circular)

Item	Part Number	Part Name And Description
1	Provide information listed	Complete Refrigeration System: Indicate unit model number from serial plate on unit base plate, refrigerant, voltage/hertz and country.
2a	Provide information listed	Compressor A I.D.#: Indicate compressor manufacturer, voltage/hertz, refrigerant and complete manufacturer's model number.
2b	See list below	Compressor Lead Harness (not shown)
	901,900,611.01	All, except IEC Standard
	804,901,740.01	220-240v/50hz, IEC Standard
2c	902,040,570.01	Compressor Mounting Grommet
2d	900,901,880.01	Compressor Mounting Retainr Clip
2e	901,803,910.01	Compressor Grommet Plug, Plastic
3a	491,040,040-43	Condenser Base Plate
3b	See list below	Condenser Fan Motor Assembly
	491,040,210.03	115v
	491,140,310.03	220-240v
3c	See list below	Condenser Fan Motor
	804,500,670.01	115v
	804,500,710.01	220-240v
3d	801,103,370.02	Fan Blade (not shown)
3e	491,080,100-23	Drain Pan Assembly (not shown)
4a	801,804,240-51	Drain Plug, Plastic (not shown)
4b	905,800,690.01	Sawier, Fibreglass (14) (not shown)
5a	493,040,070-53	Condenser Baffle, Right Side (not shown)
5b	493,040,040-43	Condenser Baffle, Rear
6a	801,806,050-11	Drain Tube
6b	901,301,790.01	Drain Tube Nut
7a	901,900,500.01	Drain Hose
7b	900,901,030.01	
8	See listing below	Main Wiring Harness
	804,902,230.01 (a)	United States (shown)
	804,905,480.01 (b)	Australia, IEC 335
	804,905,400.01 (c)	United Kingdom, IEC 335
	804,902,160.21 (d)	Europe
	804,903,160.01 (e)	Mexico
	804,905,450.01 (f)	Italy
	804,905,470.01 (g)	Danish, IEC 335
	804,905,360.01 (h)	Germany, Splashwater Protector
9	143,040,011-13	Top Fan Housing
10	802,800,410.01	Temperature Control
11	491,040,110-43	Fan Speed Condenser
12a	Provide information listed	Relay: Indicate compressor manufacturer, model # and voltage/hz.
12b	Provide information listed	Overload: Indicate compressor manufacturer, model # and voltage/hz.
13	802,401,260.01	Deys
14	802,600,560.01	Condenser
15	802,600,770.51	Evaporator
16	802,400,460.01	Accumulator
17	802,800,420.01	Knob, Temperature Control
A6	900,600,230.02	Sheet Metal Screw, Type "A" (not shown) (2)
A7	900,301,560.01	Series Screw #8 - 32 x 1/2 (8)
B3	900,301,810.01	Screw, #10 - 22 x 1/2
D1	900,710,460.01	Lockwasher, 3/8" (2)
E1	900,901,880.01	Terminal Clip (2)
F6	900,400,440.01	Refrigeration Bolts - 10 x 1 (2)

Signs and Decals - Pepsi (Magnum Circular)



①

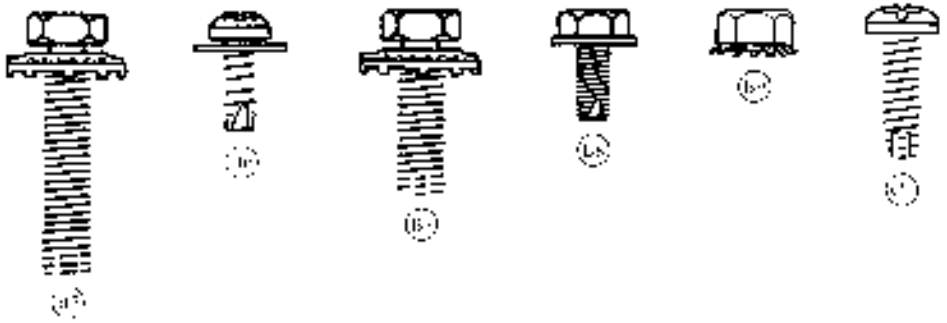
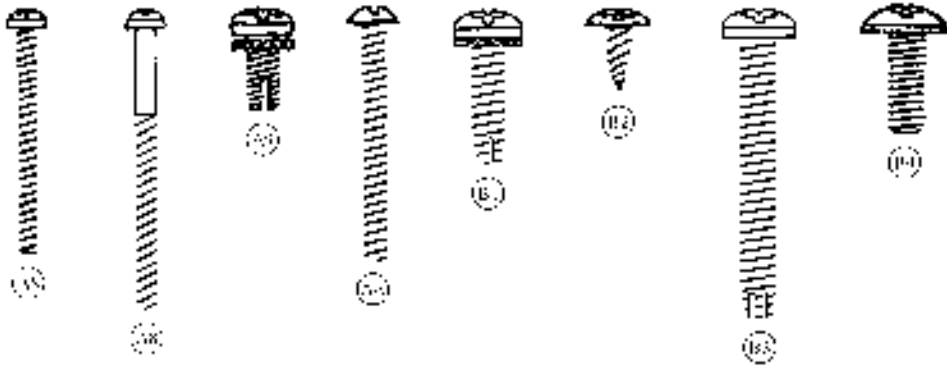
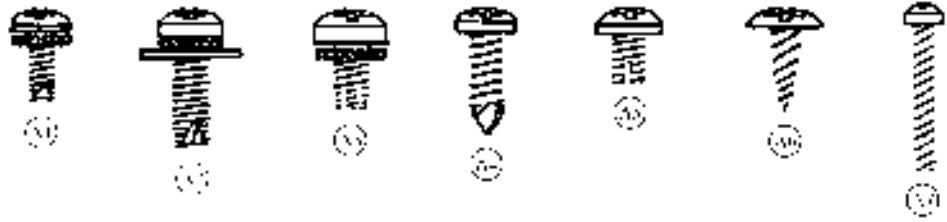


②

Signs & Decals - Pepsi (Magnum Circular)

Item	Part Number	Part Name And Description
1	805,010,660.01	Pepsi Can On Ice Sign (1992 graphics) (shown)
2	805,010,680.01	Diet Pepsi Cola Sign (1992 graphics)
3	803,830,590.01	Pepsi Side Decal (1992 graphics) (shown)
4	803,830,640.01	Diet Pepsi Side Decal (1992 graphics)

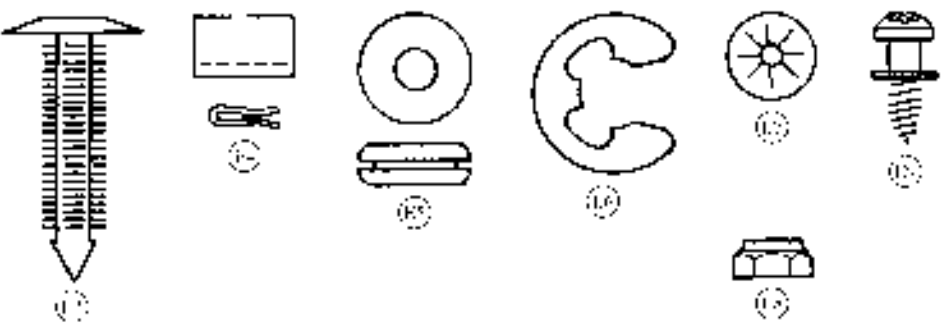
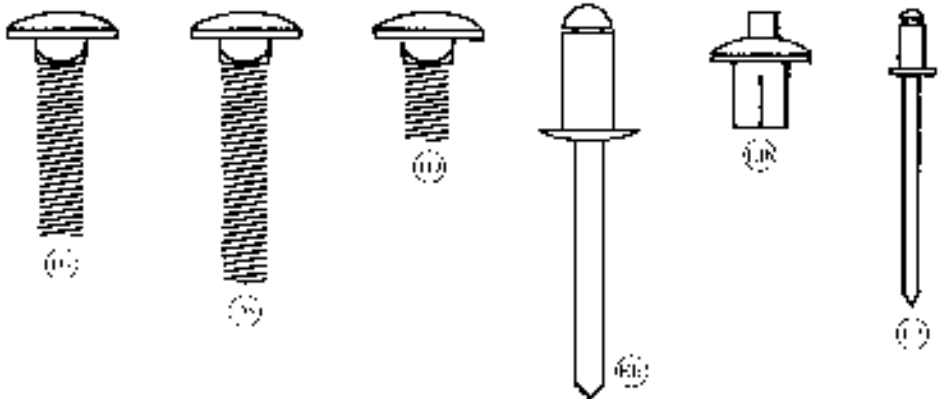
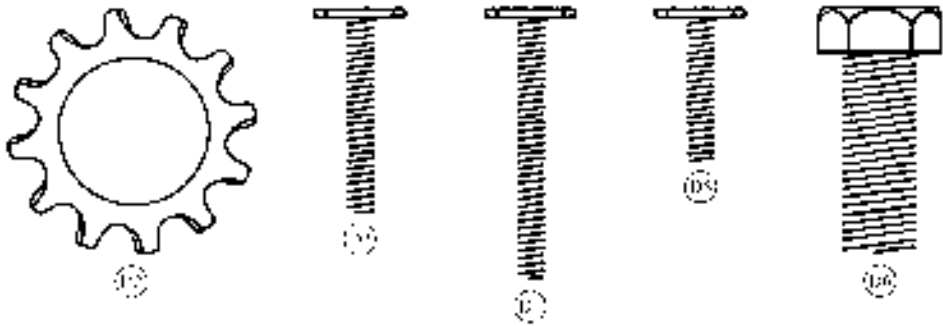
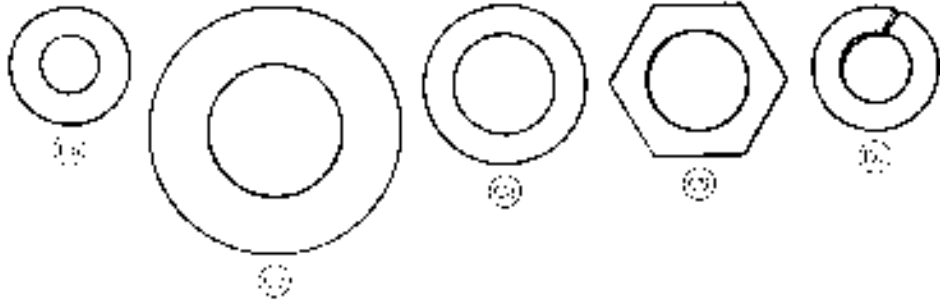
Screws & Nuts - Pepsi (Magnum Circular)



Screws & Nuts - Pepsi (Magnum Circular)

Item	Part Number	Part Name And Description
A1	900,301,700.01	Sems Screw #6 - 32 x $\frac{1}{2}$
A2	900,301,640.01	Sems Screw #8 - 32 x $\frac{1}{2}$
A3	900,301,830.01	Screw, Phil Pan #10 - 32 x $\frac{7}{16}$
A4	900,301,500.01	Screw, Phil Pan (without washer) #8 - 18 x $\frac{1}{2}$
A5	900,301,970.01	Screw, Phil Pan #8 - 32 x $\frac{1}{4}$
A6	900,600,230.02	Sheet Metal Screw, Type "A"
A7	900,300,470.01	Screw, Phil Pan #4 x $\frac{3}{4}$
A8	900,301,820.01	Vend Motor Screw #4 x $1\frac{1}{16}$
	900,301,610.01	Vend Motor Screw #4 x $1\frac{1}{4}$
A9	900,301,560.01	Sems Screw #8 - 32 x $\frac{3}{8}$
AA	900,201,310.01	Machine Screw #6 - 32 x $1\frac{1}{2}$
AB	900,301,960.01	Sems Screw #8 - 32 x $\frac{1}{4}$ (not shown)
B1	900,301,850.01	Sems Screw #8 - 32 x $\frac{5}{8}$
B2	900,300,160.01	Sems Screw #6 x $\frac{3}{4}$
B3	900,301,810.01	Screw #10 - 32 x $1\frac{1}{4}$
B4	900,201,140.01	Screw, Machine Truss #10 - 32 x $\frac{1}{2}$
B5	900,301,730.21	Self-Tapping Screw $\frac{1}{4}$ - 20 x 1
B6	900,301,650.01	Screw, Phil Pan (with washer) #8 - 18 x $\frac{1}{4}$
B7	900,302,010.01	Self Tapping Screw $\frac{1}{4}$ - 20 x $\frac{3}{4}$
B8	900,301,690.01	Screw, Hex Tap #8 - 32 x $\frac{3}{8}$
B9	900,800,650.01	Keps Nut #10 - 32
C1	900,901,510.02	Screw, Phil Pan Tapping
C2	900,800,670.01	Keps Nut $\frac{1}{4}$ 20
C3	900,800,500.01	Keps Nut #8 - 32
C4	900,800,690.01	Keps Nut (Top Door Hinge) $\frac{3}{8}$ 16
C5	900,800,850.01	Speed Nut
CC	900,201,220.11	Machine Screw #8 - 32 x $\frac{7}{8}$
DD	900,800,490.01	Keps Nut #6 - 32

Washers, Bolts & Misc. - Pepsi (Magnum Circular)



Washers, Bolts & Misc. - Pepsi (Magnum Circular)

Item	Part Number	Part Name And Description
C6	900,700,600.01	Washer, Flat
C7	901,303,770.01	Washer, Hinge
C8	901,503,060.01	Washer, Flat (T-Handle)
C9	901,503,080.01	Washer, Flex (T-Handle)
D1	900,700,360.01	Lockwasher, 3/8"
D2	900,700,890.01	Lockwasher, 3/8"
D3	900,400,430.01	T-Bolt #8 - 32 x 1
D4	900,400,410.01	T-Bolt #8 - 32 x 1 1/4
D5	900,400,350.01	T-Bolt # 8 - 32 x 3/4
D6	900,400,440.01	Refrigeration Bolt 3/8 - 16 x 1
D7	900,201,170.01	Carriage Bolt 1/4 - 20 x 1
D8	900,201,230.11	Carriage Bolt 1/4 - 20 x 1 1/4
D9	900,201,450.01	Carriage Bolt 1/4 - 20 x 1/2
E1a	901,100,430.01	Pop Rivet 3/4"
E1b	901,100,440.01	Drive Rivet 1/4"
E2	901,100,520.01	Pop Rivet 3/8"
E3	900,902,130.01	Christmas Tree Clip
E4	900,901,890.01	Tinnerman Clip
E5	900,401,090.01	Grommet, Black Rubber #97
E6	901,503,070.01	E Ring
E7	900,900,900.01	Retainer
F8	900,800,510.01	Elastic Stop Nut #8 - 32
F9	900,301,980.01	Phil Pan Shoulder Screw #8 - 18 x 1 1/2