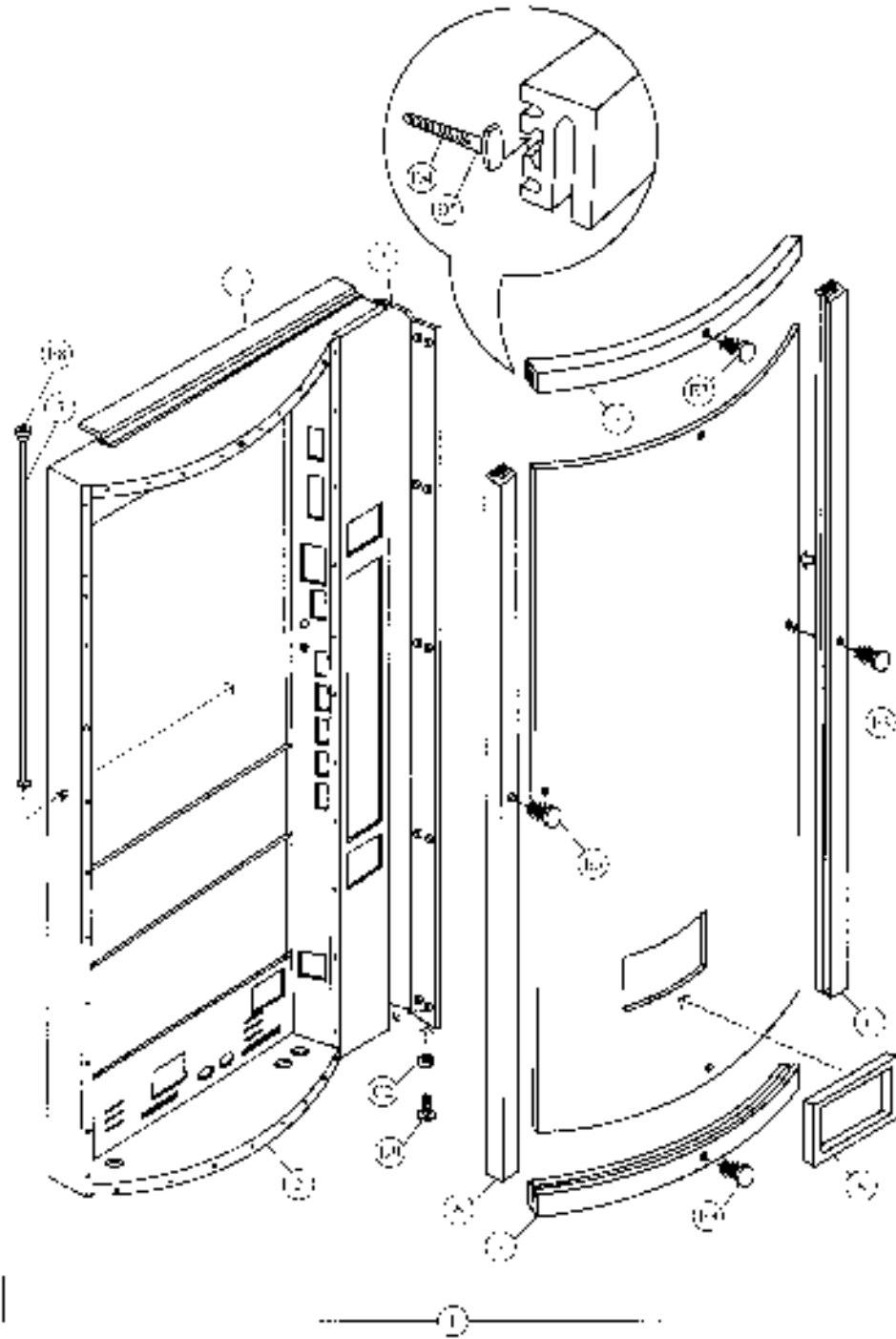




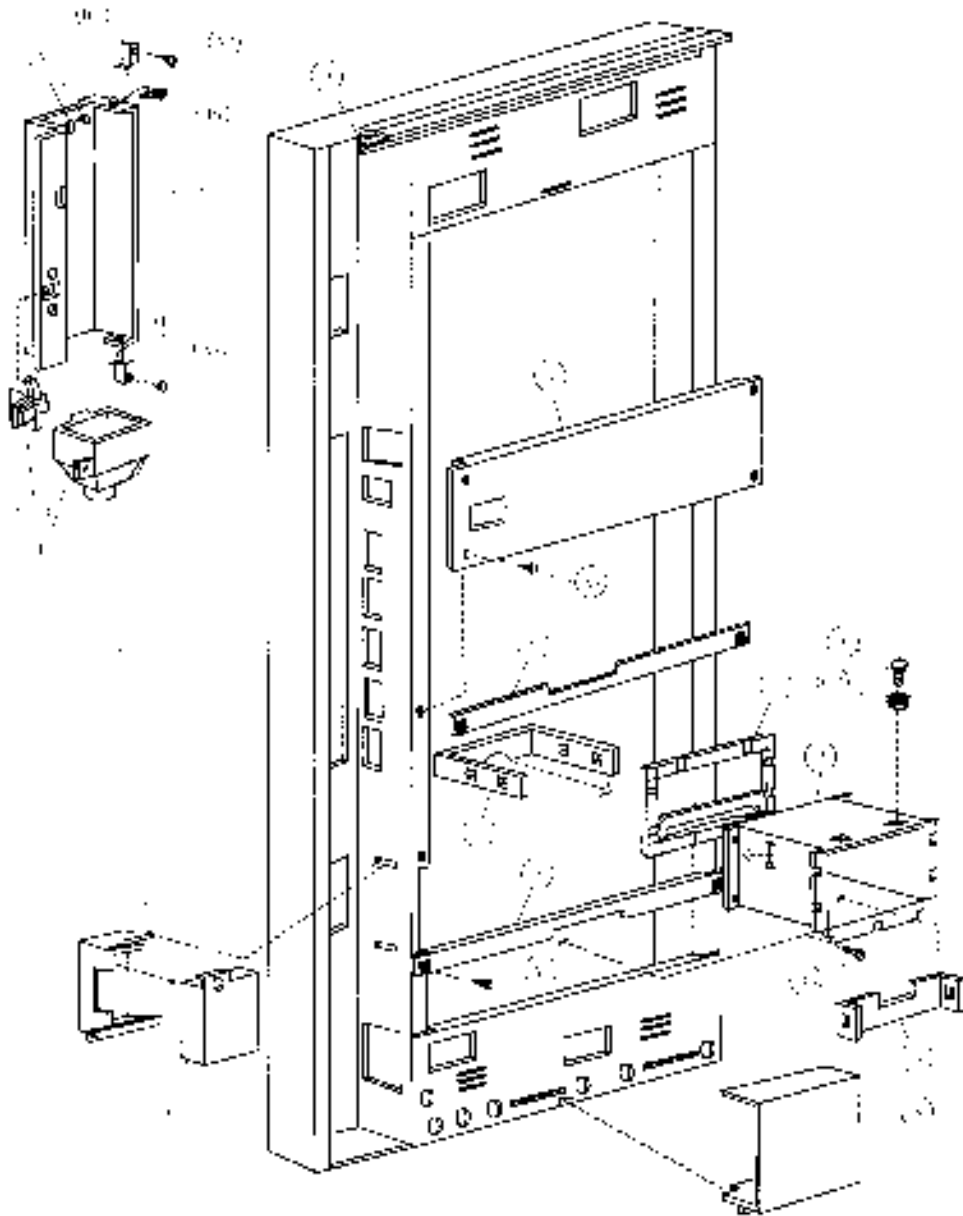
Pepsi (Magnum Cir.) DNCB 348MC

Dimensions	72" H x 31 1/2" W x 30 1/2" D (1829mm H x 800mm W x 775mm D)
Dimensions Less Door	72" H x 29 1/2" W x 27 1/2" D (1829mm H x 740mm W x 698mm D)
Approximate Weight	228 lbs. (103kg)
Selections/Columns	2/010
Total 12 oz. (355ml) Cans Capacity/Verd	350/30
Column Capacity 12 oz. (355ml) Cans	4 Single Columns - 32 Each 1 Double Column - 62 Each

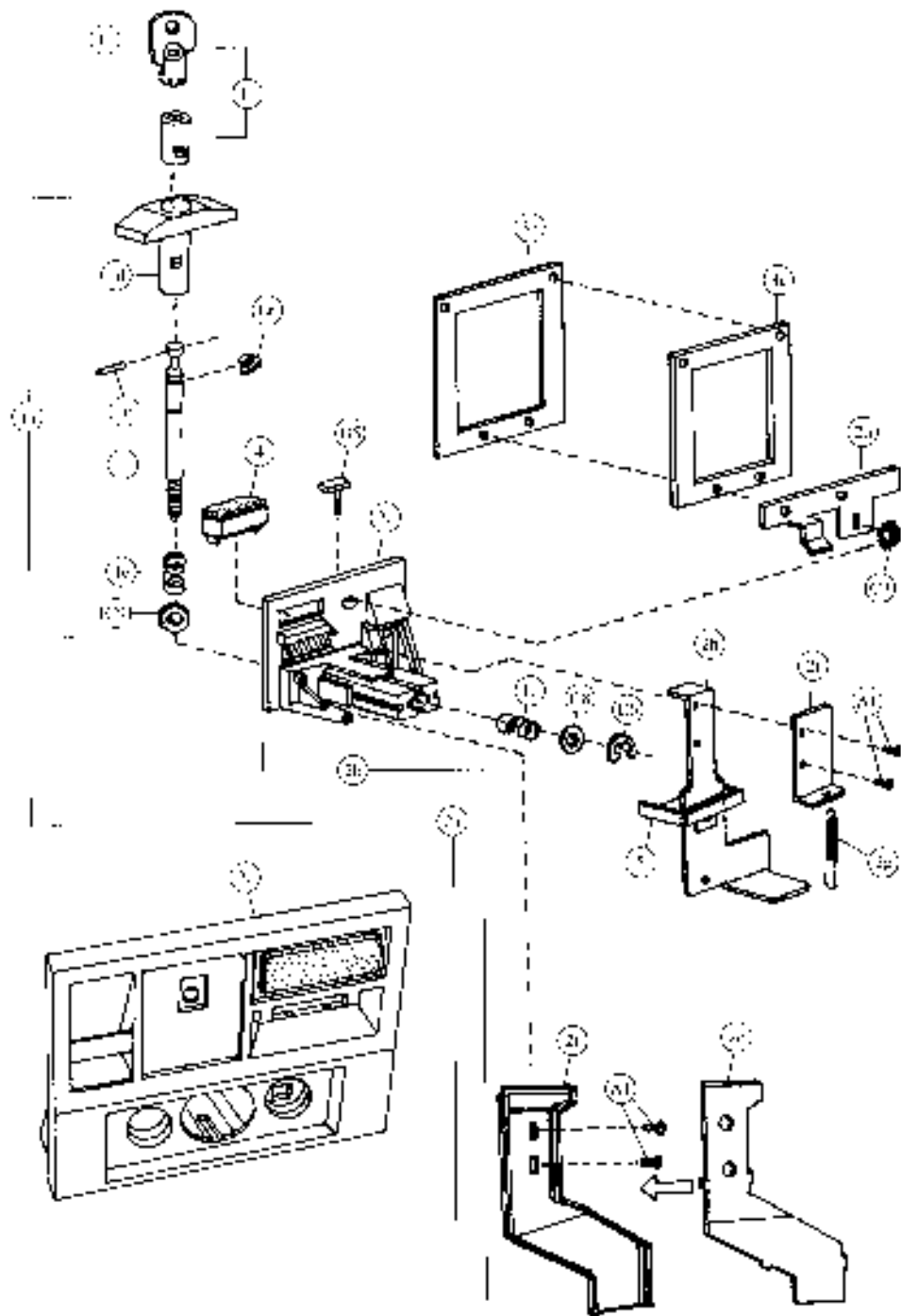
Main Door - Exterior - Pepsi (Magnum Circular)



Main Door - Interior - Pepsi (Magnum Circular)



Pull-Out Handle & Coin Insert - Pepsi (Magnum Circular)

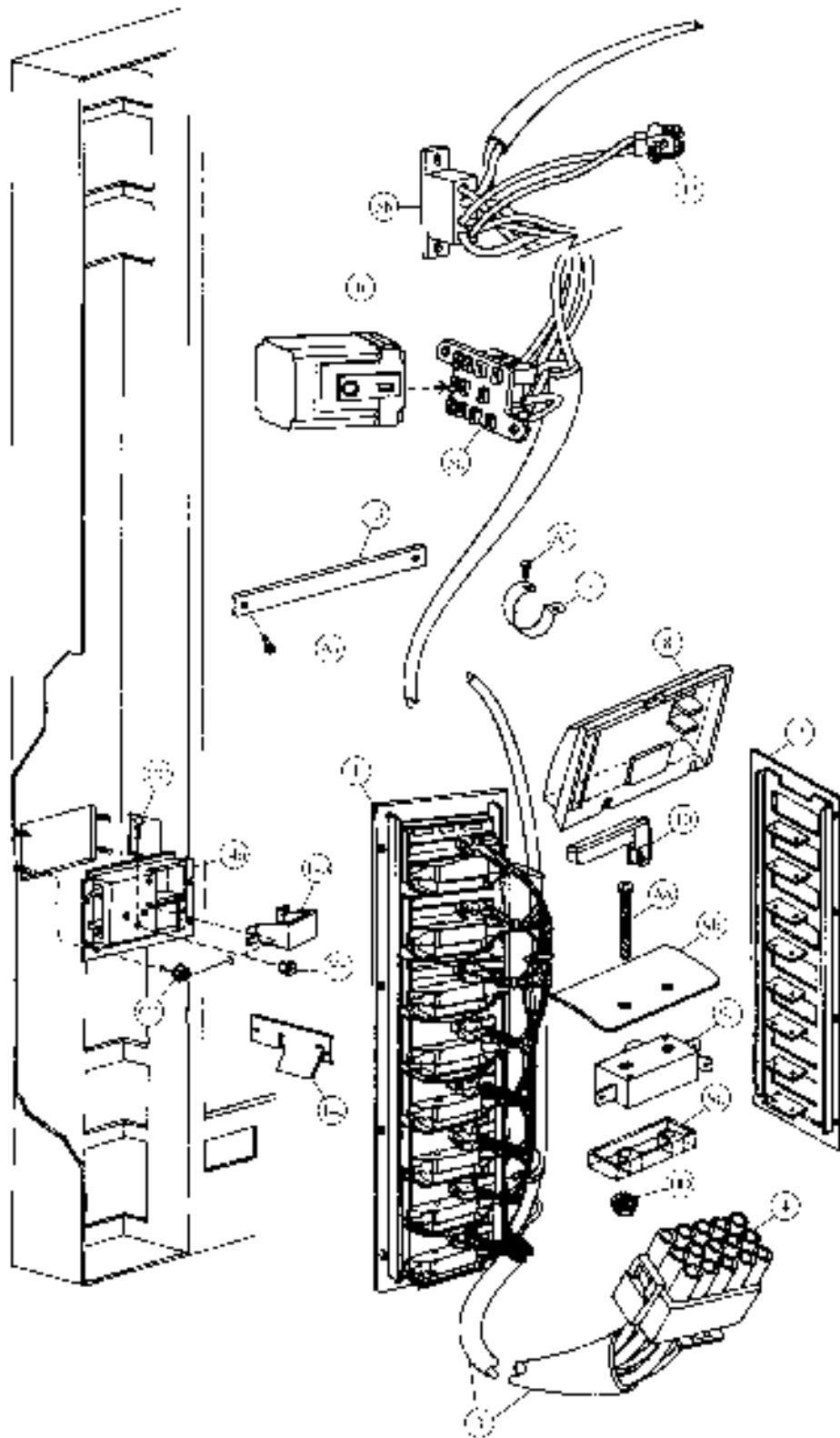


Pull-Out Handle & Coin Insert - Pepsi (Magnum Circular)

Item	Part Number	Part Name And Description
1a	801,503,040,01	T-Handle Assembly
1b	Specify key number	Lock with Two Keys
1c	Specify key number	Key Only
1d	801,505,790,01	Handle Only
1e	801,505,050,01	Spring
1f	4255-6-44W	Nut
2	901,503,090,11	Cross Pin
2a	See list below	Coin Insert Assembly with T-Handle
2b	480,150,600,01	Domestic (USA & Canada)
	See list below	Coin Insert Assembly without T-Handle
	480,150,500,03	Domestic (USA & Canada)
	480,150,500,03	Export (all others except listed below)
	480,450,500,03	Mexico
3	480,650,500,03	Argentina - Token
	See list below	Coin Insert
	801,201,180,41	Domestic (USA & Canada)
	801,201,190,41	Export (all others except listed below)
	801,201,290,21	Mexico
3d	801,201,350,11	Argentina - Token
	508,050,000,13	Coin Insert Retainer
3e	801,805,800,31	Coin Chime Cover
3f	801,805,790,61	Coin Chute
3g	801,700,630,11	Spring Extension
3h	453,050,800,03	Coin Return Plunger Assembly
3i	432,050,570,33	Plunger Bracket
3j	360,050,720,53	Validator Plate
3k	902,001,110,21	Gasket Validator (black)
4	See list below	Correct Change Lamp
	804,700,180,31	English "Use Correct Change"
	804,700,500,01	English, IBC Standard "Use Correct Change"
	804,700,440,01	Spanish "Importe Exacto"
	804,700,450,01	French "Faites L'Appoint"
	804,700,400,01	Italian "Usare Monete Corrette"
	804,700,470,01	Arabic "Lafun Para Atnaz"
	804,700,180,01	German "Abgezähltes Geld Verwenden"
	904,700,490,01	Portuguese "Introduza Quantia Exacta"
	5	801,836,080,01

11	901,503,070,01	E Ring
12	901,503,060,01	Flat Washer
13	901,503,080,01	Hex Washer
A1	900,301,700,01	Setts Screw #6 - 5/2 x 3/8 (4)
C3	900,800,500,01	Keys Nut #2 - 32 (4)
D3	800,400,350,31	T-Bolt #8 - 3/2 x 3/4

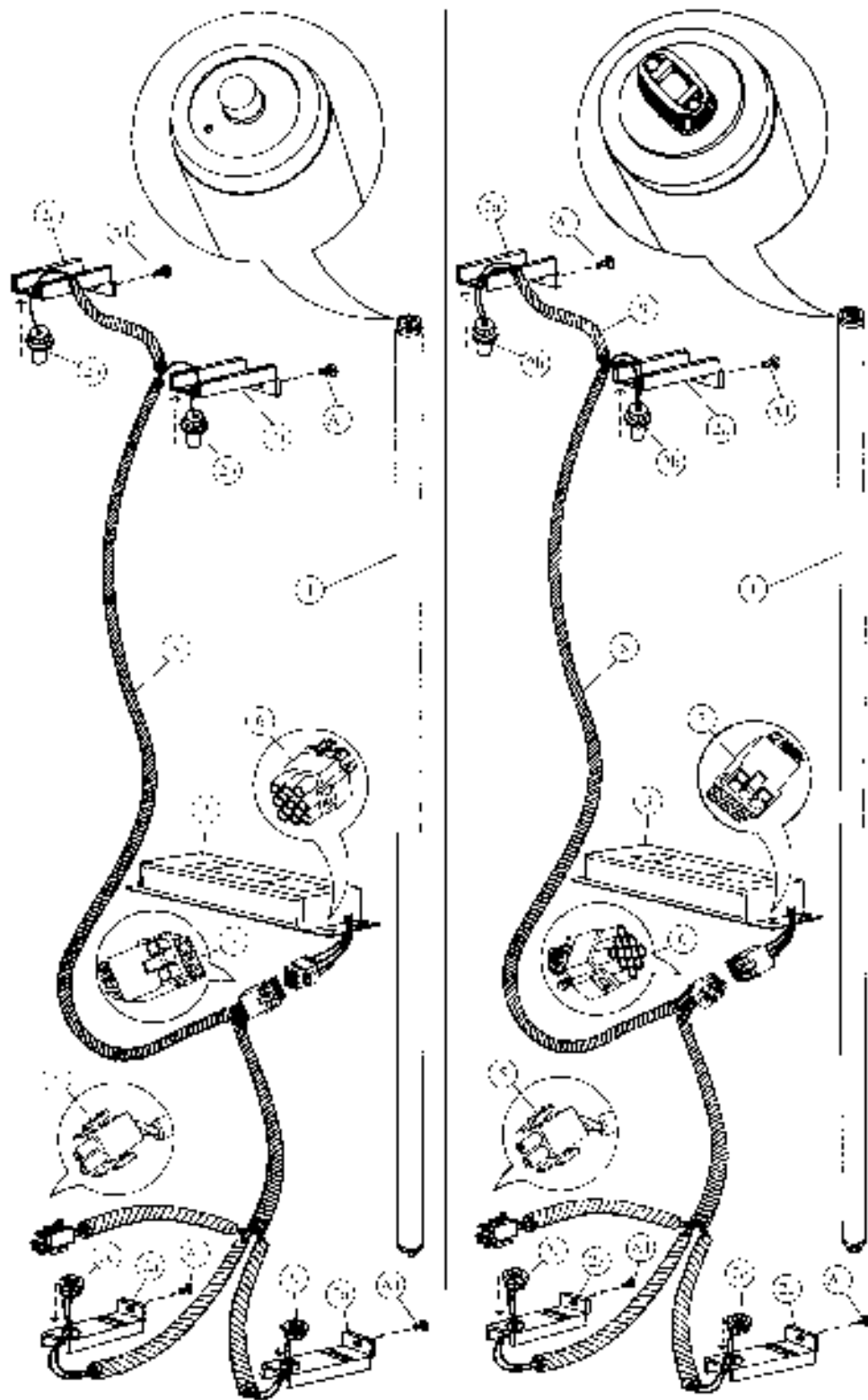
Select Panel - Pepsi (Magnum Circular)



Select Panel - Pepsi (Magnum Circular)

Item	Part Number	Part Name And Description
1	479,050,600.03	Select Panel Assembly (specify harness)
2	479,050,500.03	Select Panel, w/a
3	See list below	Door Harness (10 select)
	804,903,700.11	Single Price & Single Price - IEC Standard
	804,904,160.11	Two Price & Two Price - IEC Standard
	804,903,990.11	Four Price & Four Price - IEC Standard
4	904,600,830.01	15-Way Plug
5a	904,600,620.01	Socket, Relay
5b	904,600,600.01	Socket, Coin Changer
6	804,200,170.01	Vend Relay (single price only)
7	901,901,890.01	1" Clamp
8	801,805,110.01	Button (small rectangle)
9a	801,804,540.21	Button Stop
9b	801,804,620.11	Switch Shield & Spring, Mylar
9c	804,100,510.01	Select Switch (Unimas A30)
10	804,700,210.01	Sold Out Lamp
11	Indicate Flavor	Flavor Cards (not shown)
12	904,600,700.01	2-Way Cup
13	453,050,140.03	Door Strap
14a	801,805,610.11	Change Cup & Opener Bezel
14b	801,805,530.21	Change Cup
14c	399,050,270.13	Opener Housing Reinforcement Plate
15	901,000,190.01	Crown Puller (not shown)
16	432,050,400.03	Crown Catcher (not shown)
17	432,050,280.33	Crown Chute (not shown)
DD	900,800,490.01	Keps Nut #6 - 32 (12)
CC	900,201,220.11	Machine Screw #8 - 32 x 3/4
EX	900,800,510.01	Elastic Stop Nut #8 - 32
A4	900,301,500.01	Screw, Phil Pan #8 - 18 x 1/2 (2)
A9	900,301,560.01	Sems Screw #8 - 32 x 3/8 (7)
D3	900,400,430.01	T-Bolt #8 - 32 x 1 (4)
C3	900,800,500.01	Keps Nut #8 - 32 (14)
AA	900,201,310.01	Screw #6 - 32 x 1 1/2 (20)

Lighting - Pepsi (Magnum Circular)



Slimline

High-Output

Lighting - Pepsi (Magnum Circular)

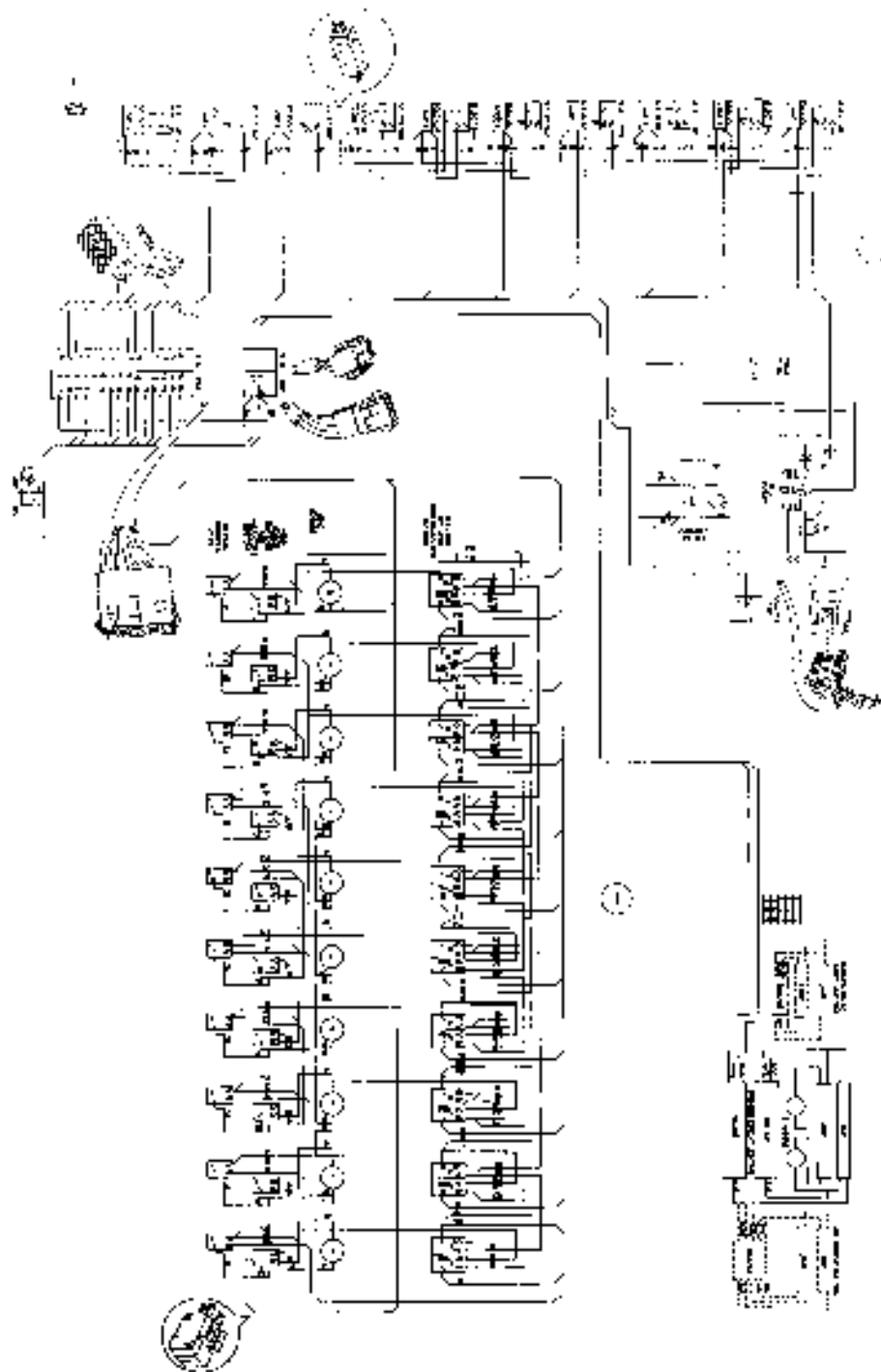
Item	Part Number	Part Name And Description
High-Output Lighting		
1	804,700,370.01	Fluorescent Bulb - F64T12/D/110
2a	432,050,380.63	Door Bracket Lamp Socket
2b	804,901,990.01	Top Lamp Holders - 523
2c	804,902,000.01	Bottom Lamp Holders - 524
3	804,400,380.01	Plug-In Ballast, Advance #VSM/HO
4	904,800,520.01	Connector, Electrical (scotchlock 557)(not shown)
5	904,600,710.01	2 Way Plug
6	904,600,670.01	9-Way Plug
7	904,600,660.01	9-Way Cap
8	804,904,510.21	Plug-In Ballast Harness, High Output
9	804,904,920.21	Lamp Fixture Jumper, High Output

Slimline Lighting

1	804,700,300.01	Fluorescent Bulb - F64T12/DAYLT
2a	432,050,380.63	Door Bracket Lamp Socket
2b	804,902,020.01	Top Lamp Holders - 516
2c	804,902,030.01	Bottom Lamp Holders - 517
3	804,400,370.11	Plug-In Ballast, Slimline
4	904,800,520.01	Connector, Electrical (scotchlock 557)(not shown)
5	904,600,710.01	2-Way Plug
6	904,600,670.01	9-Way Plug
7	904,600,660.01	9-Way Cap
8	804,901,600.51	Plug-In Ballast Harness, Slimline

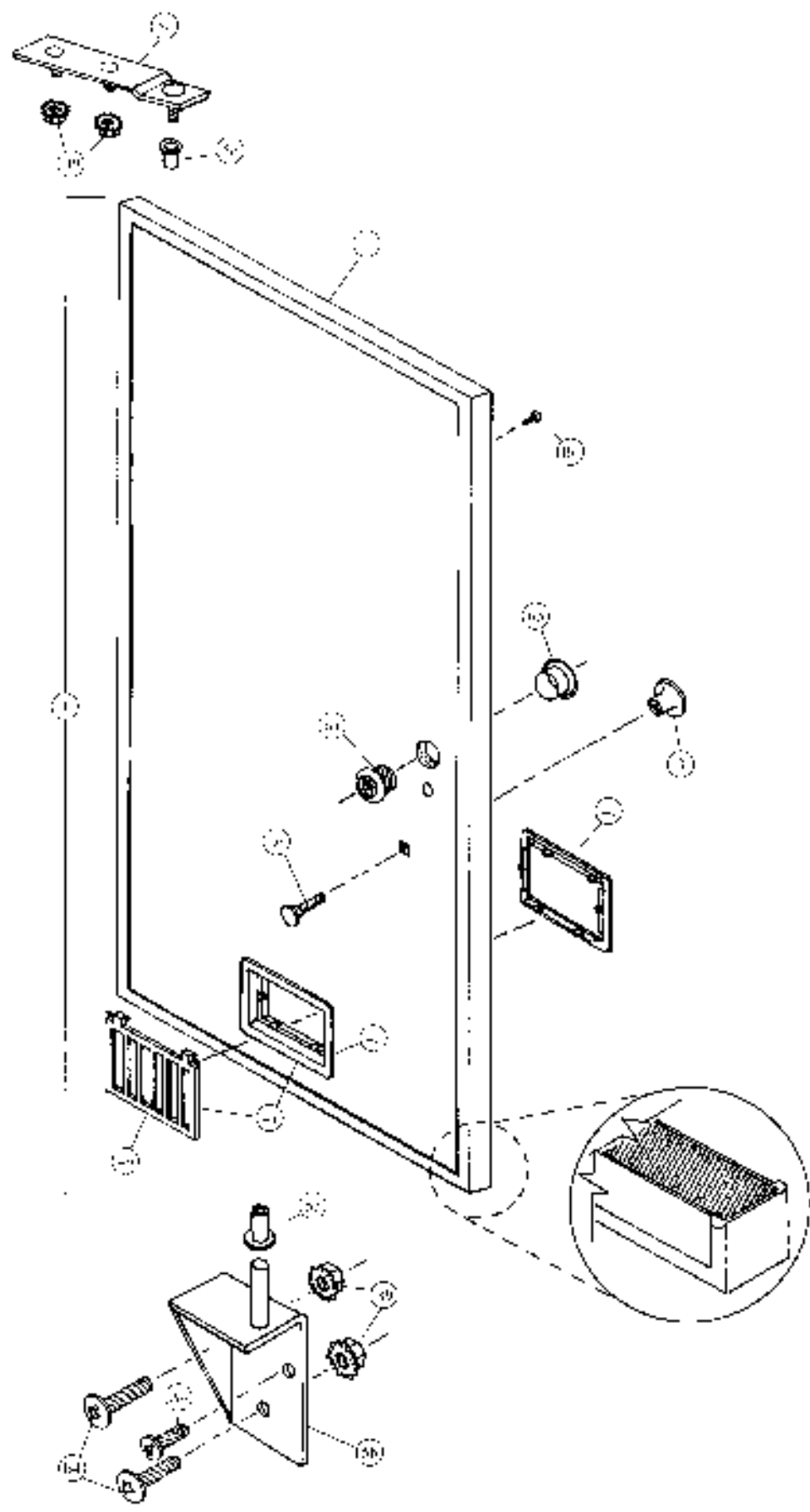
A1	900,301,700.01	Sheet Metal Screw #6 - 32 x 3/4	(4)
----	----------------	---------------------------------	-----

Wiring Harness - Pepsi (Magnum Circular)

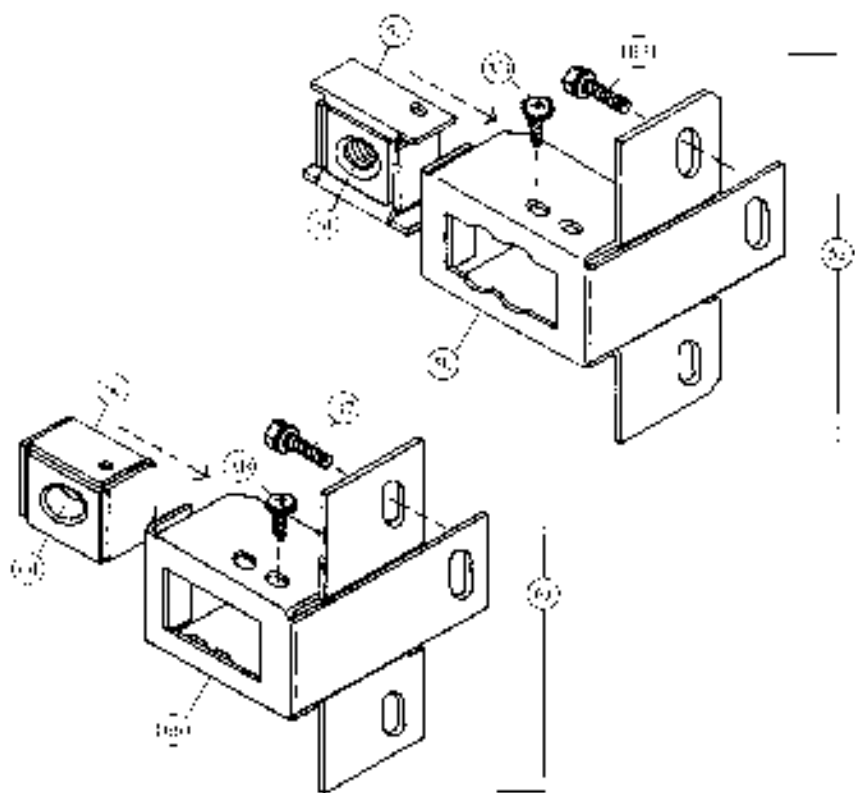
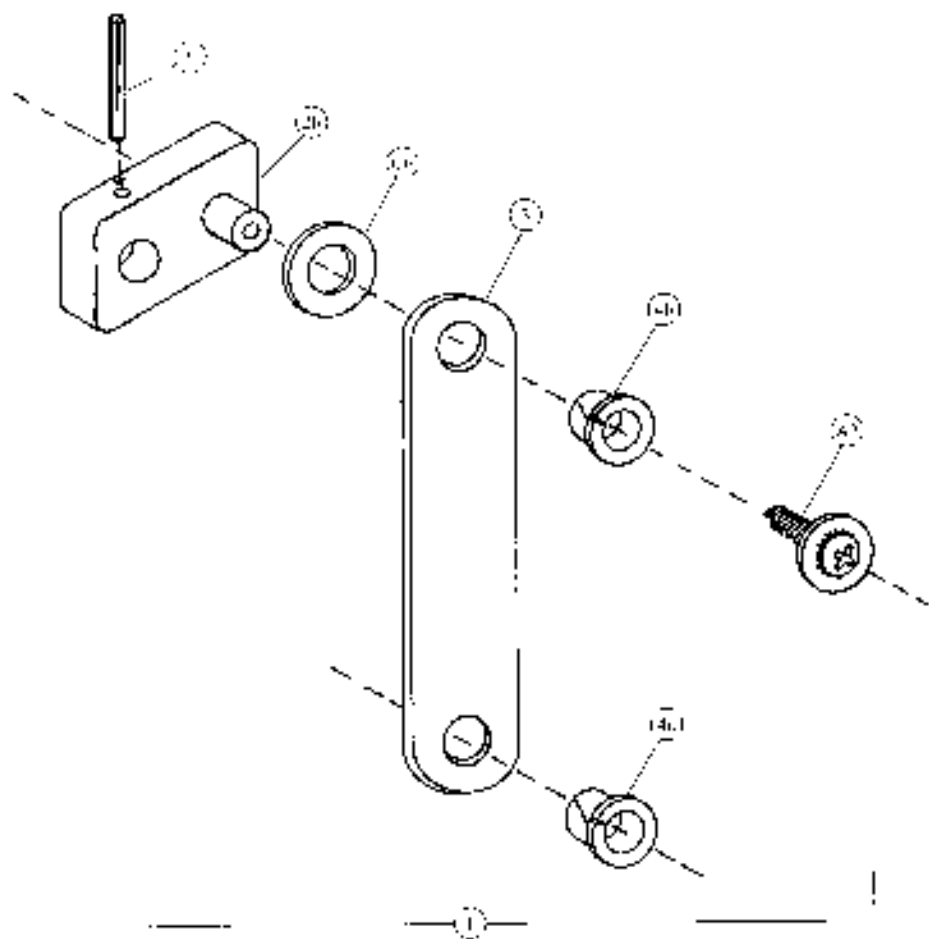


Sample Diagram
10 Column Dual Adaptable, Single Price

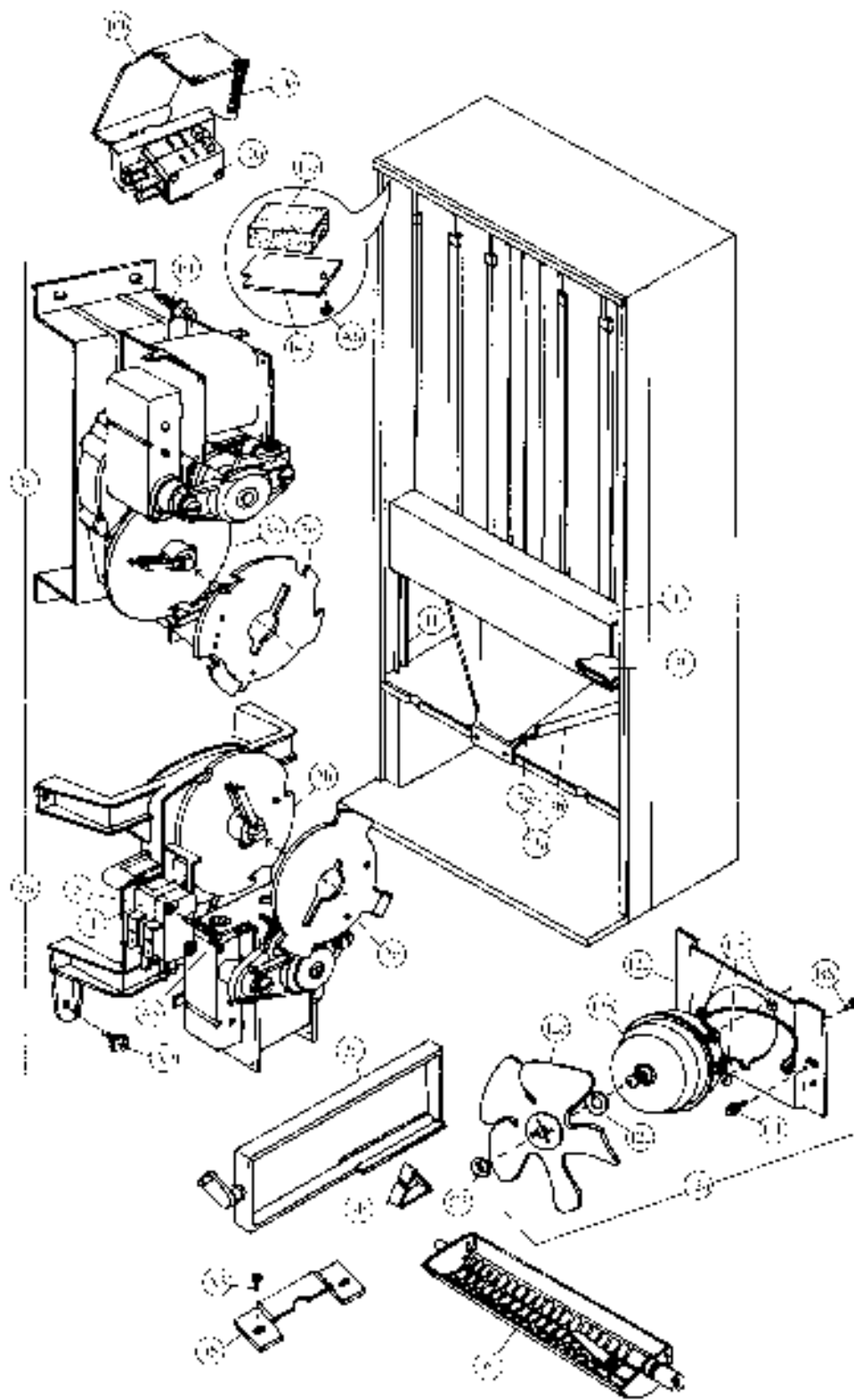
Inner Door - Pepsi (Magnum Circular)



Two-Bar Linkage & Nut Retainer Housing - Pepsi (Magnum Cir.)



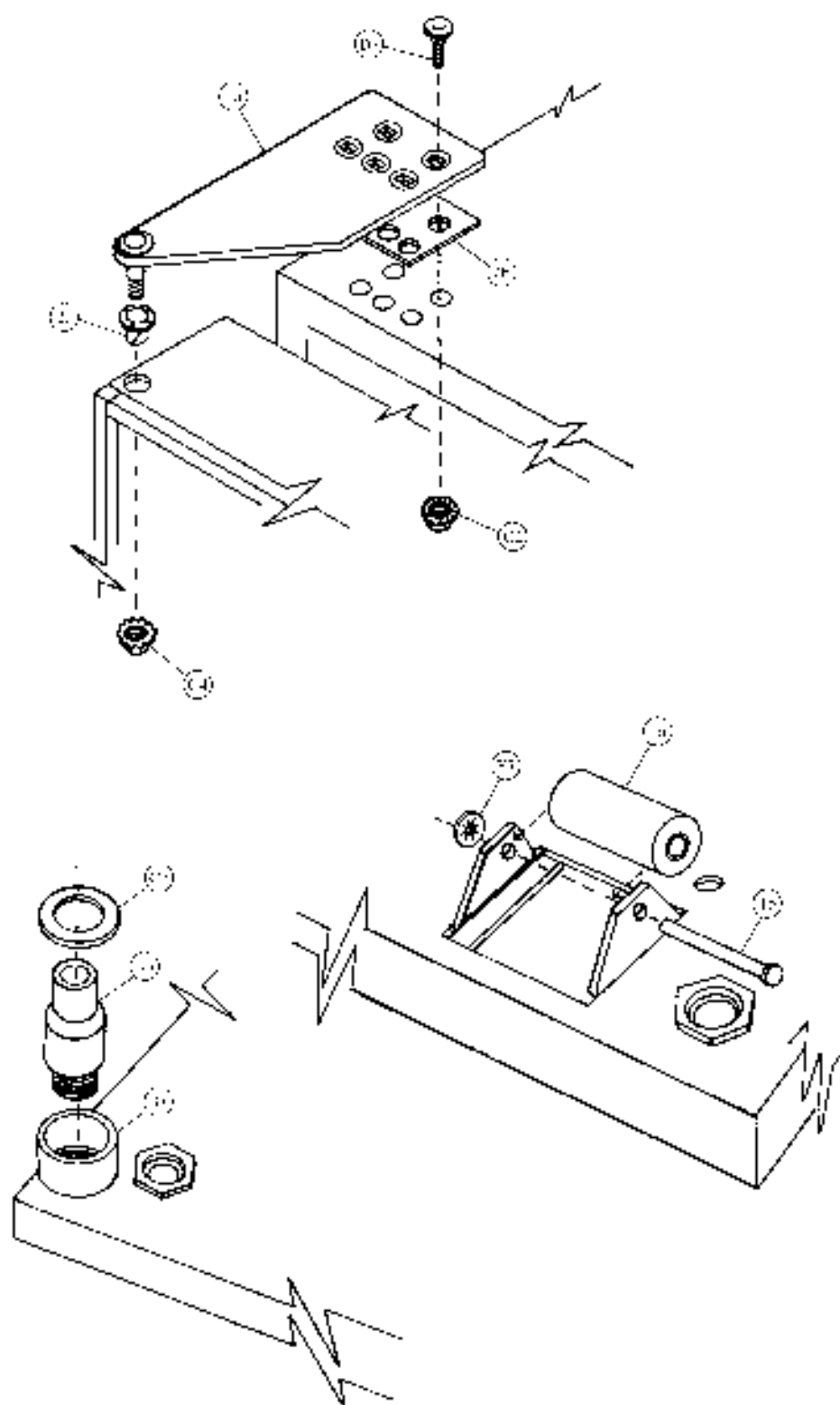
Cabinet & Vend Mechanism - Pepsi (Magnum Circular)



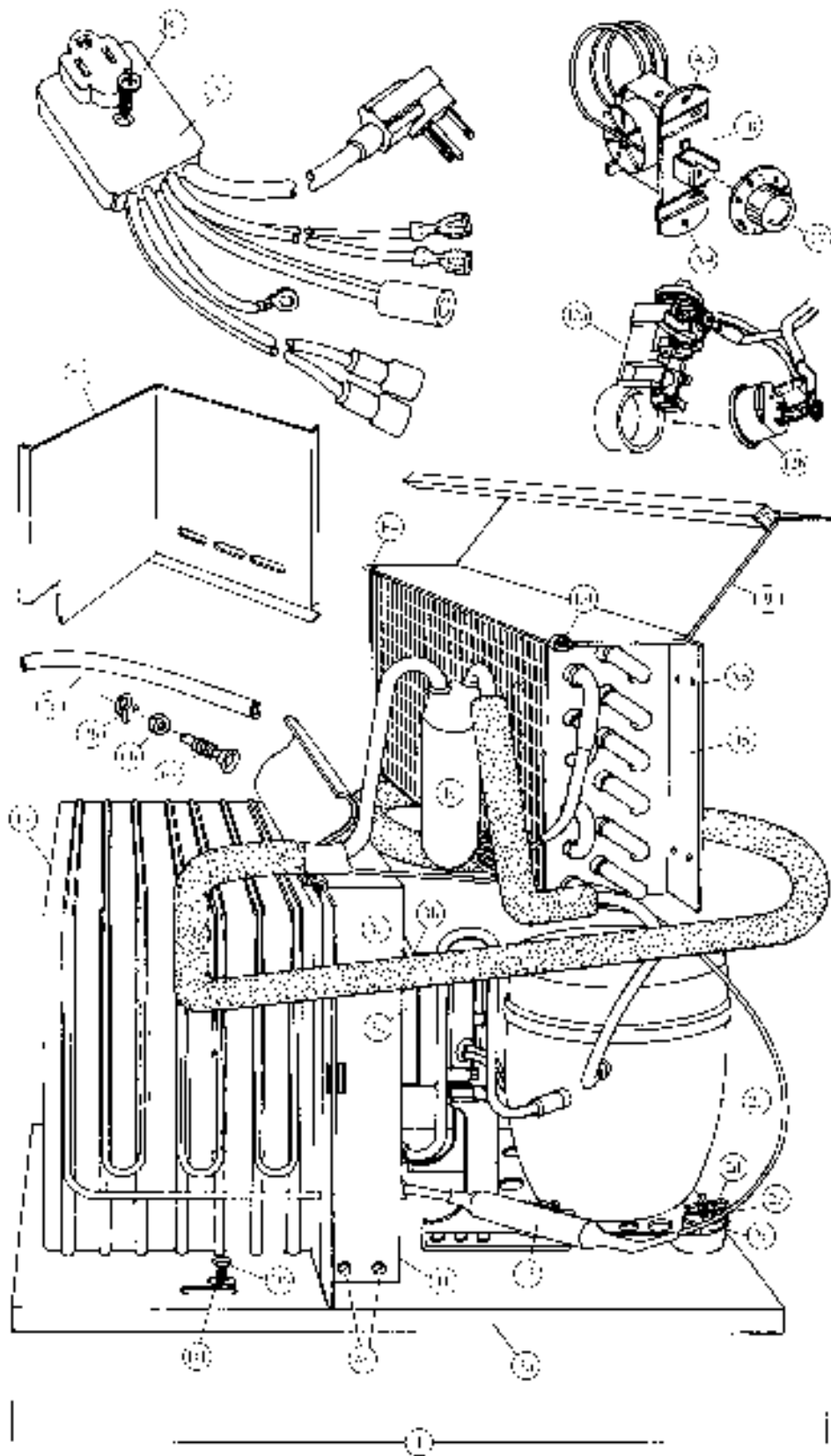
Cabinet & Vend Mechanism - Pepsi (Magnum Circular)

Item	Part Number	Part Name And Description	
1	491,070,050,03	Vend Motor Cover, Wide	
	491,071,200,03	Vend Motor Cover, Wide - IEC Standard	
2a	See list below	Vend Motor Assembly, Wide	
	491,070,300,03	Single Price	
	491,170,100,03	Two/Four Price	
2b	801,806,790,01	Vend Cam, Blue	
2c	801,806,400,01	Adjustable Cam, Gold	
3a	See list below	Vend Motor Assembly, Narrow	
	491,070,400,03	Single Price (Double Switch)	
	804,100,600,01	Single Price - IEC Standard (Double Switch)	
	491,170,700,03	Two/Four Price (Triple Switch)	
	804,100,700,01	Two/Four Price - IEC Standard (Triple Switch)	
3b	801,806,190,01	Vend Cam, Brown	
3c	801,806,610,01	Adjustable Cam, Brown	
4	See list below	Vend Motor Switch	
	804,100,600,01	Single Price (Double Switch)	
	804,100,500,01	Two/Four Price (Triple Switch)	
5	805,800,340,01	Vend Motor Switch Insulator	
6	801,301,211,01	Vend Retain - Narrow Column	
7a	801,301,010,01	Vend Oscillator - Wide Column	
7b	801,790,650,01	Cam Retainer Oscillator	
8a	801,803,130,01	Nylinet, Rear	(not shown)
8b	901,804,230,01	Nylinet, Front - Wide Column only	(not shown)
9	267,070,170,43	Wire Shield	
10a	804,100,610,01	Sold Out Switch Assembly	
	804,100,680,01	Sold Out Switch Assembly - IEC Standard	
10b	432,070,190,13	Sold Out Paddle	
10c	901,700,740,01	Sold Out Paddle Spring	
11	491,020,070,03	Mechanism Support	
17a	See list below	Evaporator Fan Motor Assembly	
	491,000,200,03	115v	
	491,140,400,03	220 - 240v	
7b	See list below	Evaporator Fan Motor	
	803,500,590,01	115v	
	803,500,520,01	220 - 240v	
2c	164,940,060,73	Evaporator Fan Motor Bracket	
12d	801,707,270,01	Evaporator Fan Blade	
12c	902,100,290,01	Silencer	
13a	480,070,160,03	Can Chute Assembly	(includes P1 & P2)
13b	211,170,010,43	Can Chute	
13c	211,070,070,43	Can Chute	(Kydex)
14a	903,300,770,01	Trim Block	
11c	169,000,170,83	Hinge Pocket Cover	
15	170,072,110,13	Journal	
C1	900,901,510,02	Screw, Phil Pan Tapping	
A1	900,401,830,01	Sems Screw #10 - 32 x 3/4	(8)
A6	900,600,230,02	Sheet Metal Screw, Type "A"	
B8	800,301,090,01	Hex Top Screw #8 - 32 x 1/2	(3)
A5	900,701,870,01	Vend Motor Screw #4 x 1/2 - Double Switch	(1,5)
	900,301,210,01	Vend Motor Screw #4 x 1/2 - Triple Switch	
A9	900,301,560,01	Sems Screw #8 - 32 x 3/4	(20)
18	900,401,090,01	Grommet, Black Rubber #97	(4)
C2	900,800,850,01	Speed Nut	
B1	900,707,350,01	Sems Screw #8 - 32 x 1/2	

Hinges and Rollers - Pepsi (Magnum Circular)



Refrigeration - Pepsi (Magnum Circular)



Refrigeration - Pepsi (Magnum Circular)

Item	Part Number	Part Name And Description
1	Provide information listed	Complete Refrigeration System: Indicate unit model number from serial plate on unit base plate, refrigerant, voltage/hertz and country.
2	Provide information listed	Compressor to HP: Indicate compressor manufacturer, voltage/hertz, refrigerant and complete manufacturer's model number.
2h	See list below	Compressor Lead Harness (not shown)
	902,900,611.01	AC, except IBC Standard
	804,905,320.01	220-240v/50hz, ITC Standard
3	902,000,570.01	Compressor Mounting Grommet
3d	900,901,880.01	Compressor Mounting Retainer Clip
3e	901,803,910.01	Compressor Grommet Plug, Plastic
4a	491,040,040.03	Condenser Base Plate
4b	See list below	Condenser Fan Motor Assembly
	491,040,200.03	115v
	491,140,300.03	220-240v
4c	See list below	Condenser Fan Motor
	804,500,670.01	115v
	804,500,700.01	220-240v
4d	800,103,370.02	Fan Blade (not shown)
4g	491,000,100.24	Drain Pan Assembly (not shown)
4h	801,801,530.51	Drain Pan, Plastic (not shown)
4i	905,800,690.01	Snaker, Fiberglass (14) (not shown)
5a	491,040,050.53	Condenser Bulb, Right Side (not shown)
5b	491,040,060.64	Condenser Bulb, Rear
6a	801,806,050.11	Drain Tube
6b	900,301,780.01	Drain Tube Nut
7a	901,900,200.01	Drain Hose
7b	900,901,030.01	Drain Hose Clamp
8	See listing below	Main Wiring Harness
	804,902,220.01 (a)	United States (shown)
	804,905,480.01 (b)	Australia, IEC 335
	804,905,490.01 (c)	United Kingdom, IEC 335
	804,902,150.21 (d)	Europe
	804,903,160.01 (e)	Mexico
	804,905,450.01 (f)	Italy
	804,905,470.01 (g)	Danish, IEC 335
	804,905,560.01 (h)	Germany, with Splashwater Protection
9	211,040,070.13	Top Fan Housing
10	802,800,410.01	Temperature Control
11	491,040,110.53	Fan Shroud Condenser
12a	Provide information listed	Relay: Indicate compressor manufacturer, model # and voltage/hz
12b	Provide information listed	Overload: Indicate compressor manufacturer, model # and voltage/hz
13	802,401,340.01	Dryer
14	802,600,550.01	Condenser
15	802,600,370.51	Evaporator
16	802,400,460.01	Accumulator
17	802,800,120.01	Knob, Temperature Control
A6	900,900,230.02	Sheet Metal Screw, Type "A" (not shown) (2)
A9	900,301,560.01	Scrub Screw #8 - 32 x 3/4 (8)
B2	900,301,810.01	Screw, #10 - 32 x 1 1/8
D	900,700,360.01	Lockwasher, 3/8" (2)
E3	900,901,890.01	Turnerman Clip (2)
D6	900,400,440.01	Refrigeration Bolt 3/4 - 16 x (7)

Signs and Decals - Pepsi (Magnum Circular)



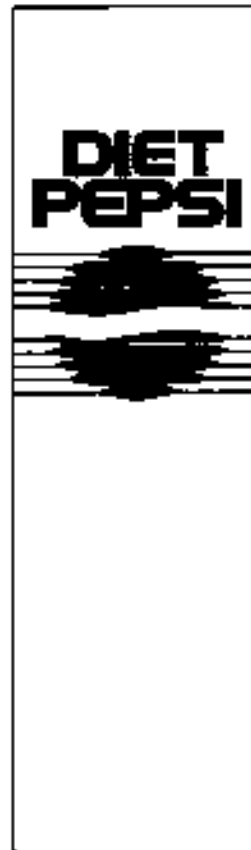
①



②

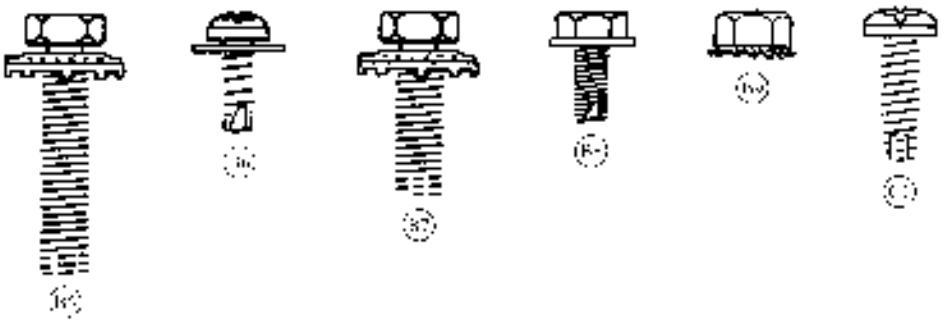
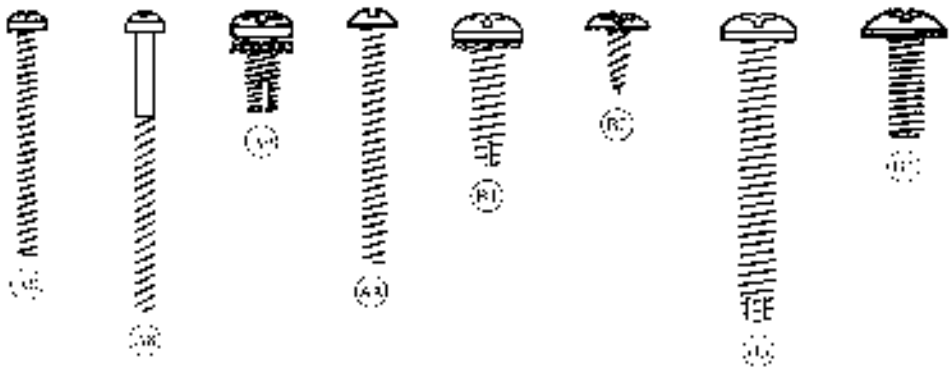
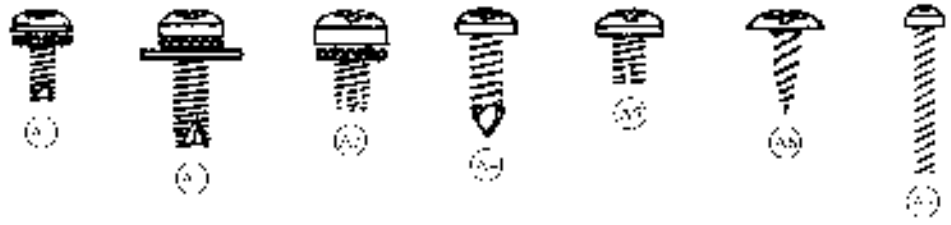


③



④

Screws & Nuts - Pepsi (Magnum Circular)



Washers, Bolts & Misc. - Pepsi (Magnum Circular)

