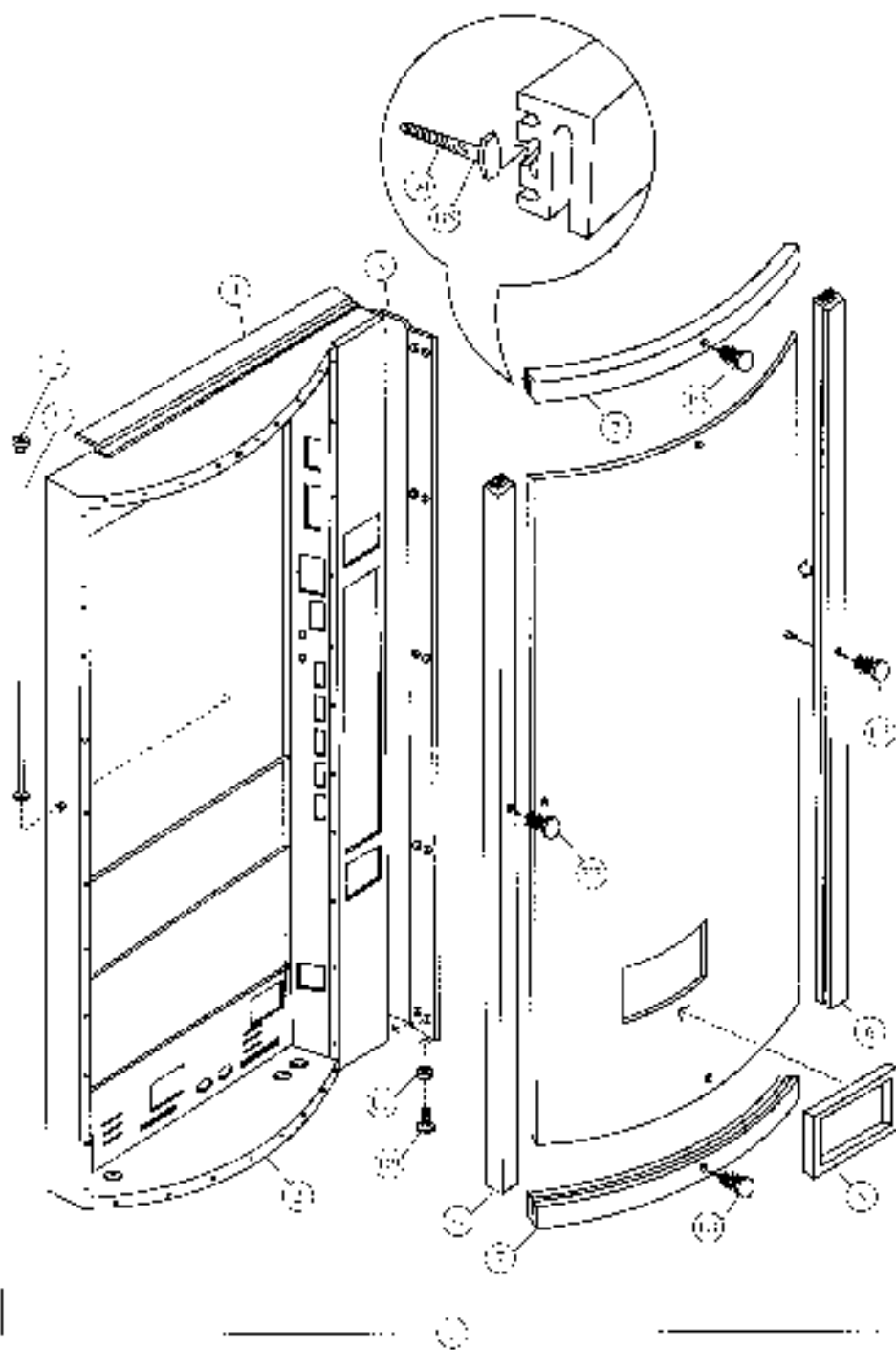




Pepsi (Magnum Cir.) DNCE 360MC & 360WS

Dimensions	72" H x 37 1/2" W x 31 1/2" D (1829mm H x 940mm W x 792mm D)
Dimensions Less Door	72" H x 31 1/2" W x 27 1/2" D (1829mm H x 790mm W x 698mm D)
Approximate Weight	624 lbs. (285kg)
Selections/Columns	6/6
Total 12 oz. (350ml) Cans Capacity/Vend	372/360
Column Capacity 12 oz. (350ml) Cans	6 Double Columns 62 each

Main Door - Exterior - Pepsi (Magnum Circular)

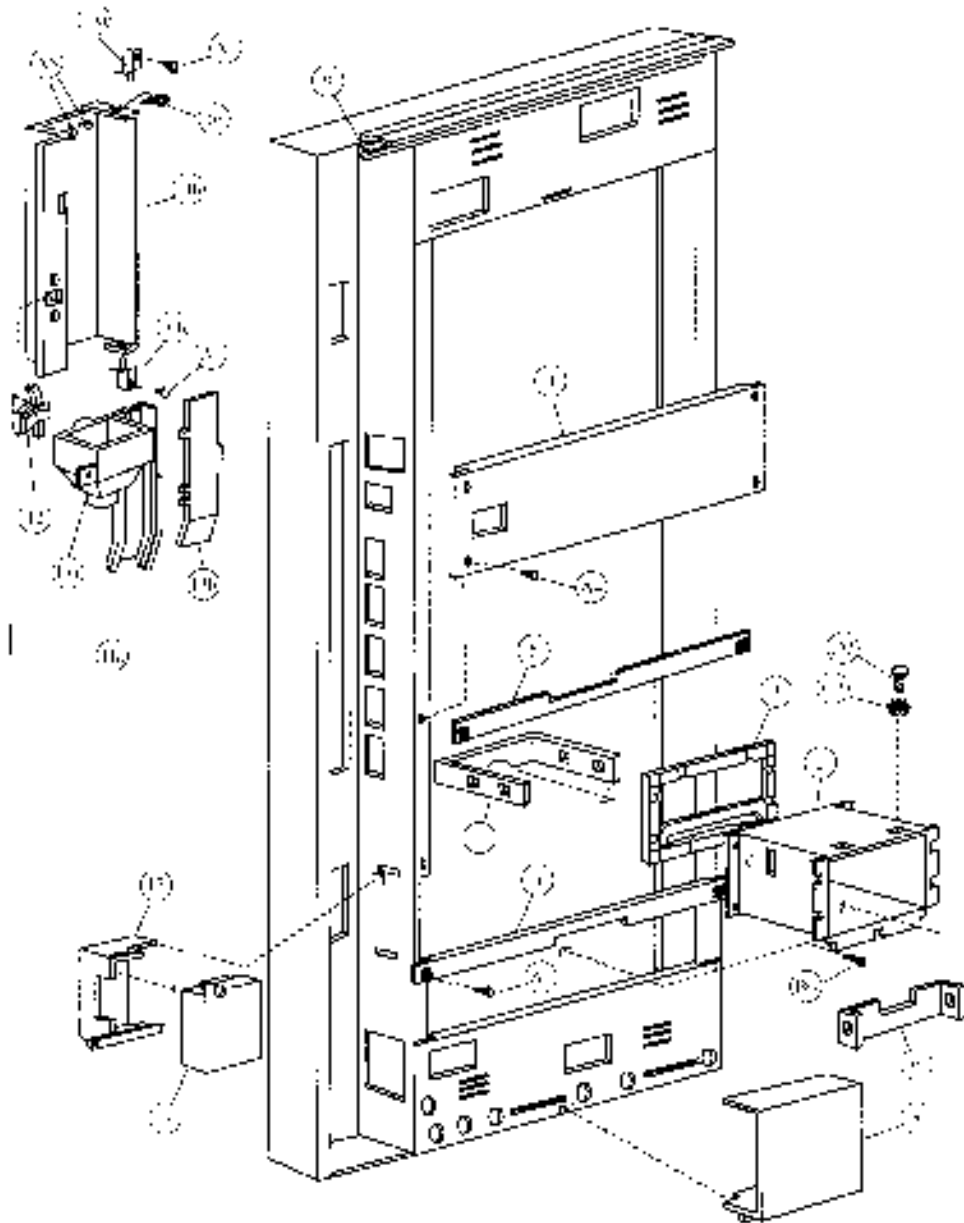


Main Door - Exterior - Pepsi (Magnum Circular)

Item	Part Number	Part Name And Description
1	488,150,000.03	Main Door Assembly (specify graphics & harness)
2	488,150,100.03	Main Door Weld Assembly
3	165,150,331.43	Protective Plate Door
4	164,151,142.33	Rain Guard
5	900,502,510.11	Tie Rod
6	801,805,470.01	68 1/2" (1751mm) Vertical Trim L/S & RS
7	801,805,470.01	29 1/2" (738-mm) Horizontal Trim (top & bottom)
8	801,602,860.31	Delivery Port Trim (black)

E8	900,800,510.01	Elastic Stop Nut #8 - 32	
124	900,400,410.01	T-Bolt #8 - 32 x 1 3/4	
125	900,400,350.31	T-Bolt #8 - 32 x 1/2	(45)
E3	900,902,130.01	Christmas Tree Clip	(4)
129	900,200,450.01	Carriage Bolt 1/4 - 20 x 1/2	(10)
C2	900,800,670.01	Keps Nut 1/4 - 20	(10)
C3	900,800,500.01	Keps Nut #8 - 32	(60)

Main Door - Interior - Pepsi (Magnum Circular)

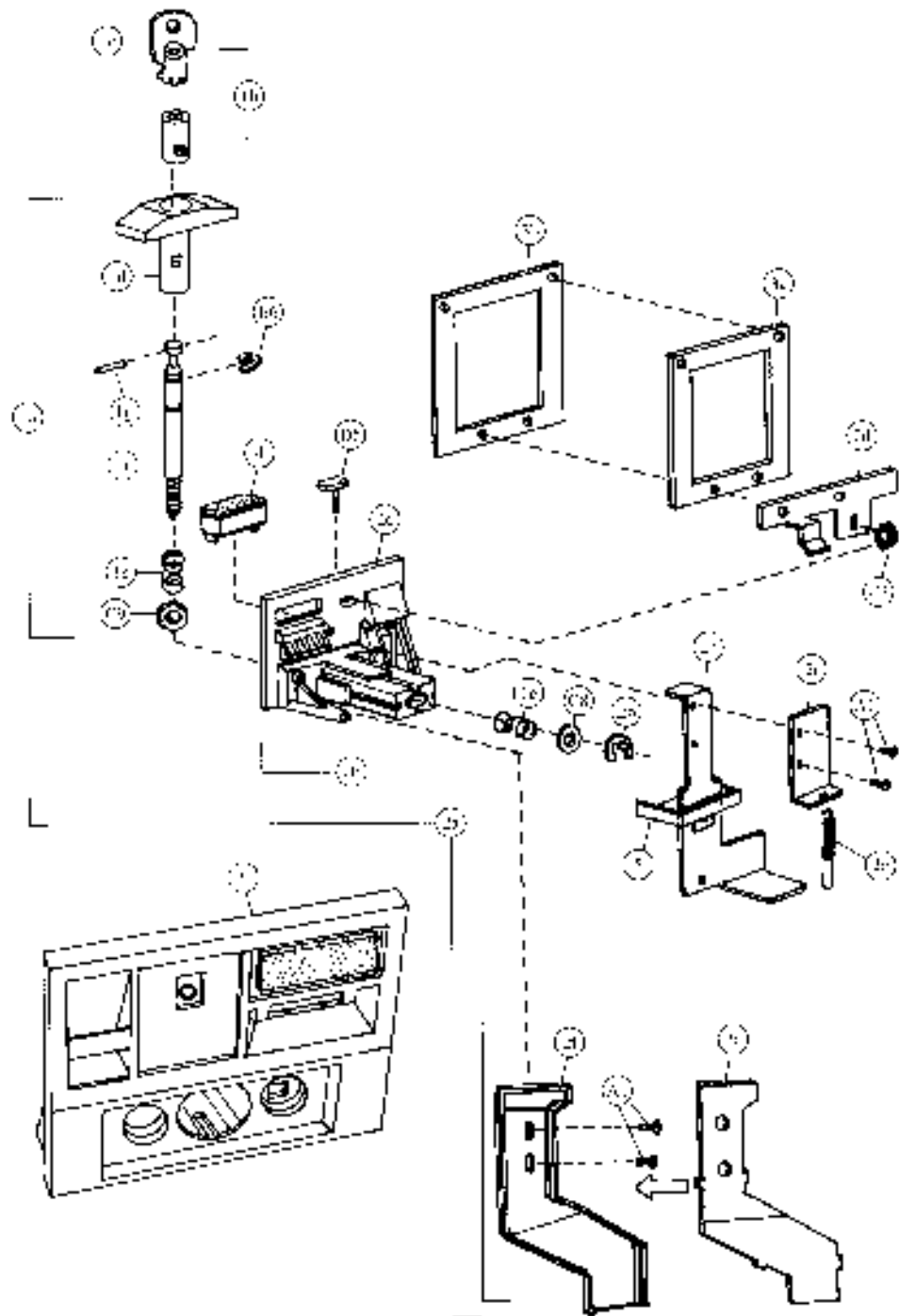


Main Door - Interior - Pepsi (Magnum Circular)

Item	Part Number	Part Name And Description
1	399,050,240.03	Discharge Member
2	801,806,030.61	Delivery Port (black frame)
3	801,805,500.21	Port Spacer
4	453,150,010.23	Center Door Stiffener
5	480,050,060.03	Delivery Port Stiffener
6	432,010,510.13	Closure Strip
7	901,901,890.01	1" Clamp (not shown)
8	432,050,660.03	Cover Wire Plug
9	903,600,530.01	L-Profile Gasket
10a	432,051,000.03	Access Door Top Hinge, w/a
10b	432,051,101.63	Access Door Bottom Hinge, w/a
11a	491,050,600.03	Access Door Assembly (alt)
11b	432,150,030.33	Access Door (alt)
12	901,902,130.11	Access Door Latch
13a	801,806,580.11	Coin Hopper and Chute
13b	801,806,590.11	Coin Chute Front
14	432,051,800.03	Cash Box, w/a
15	432,050,181.43	Cash Box Shelf
16	804,902,610.01	4" Ground Wire (102mm)

B6	900,301,650.01	Screw, Phil Pan (with washer) #8 - 18 x $\frac{1}{2}$ (3)
C3	900,800,500.01	Keps Nut #8 - 32
A4	900,301,500.01	Screw, Phil Pan (without washer) #8 - 18 x $\frac{1}{2}$ (9)
D7	900,201,170.01	Carriage Bolt $\frac{1}{4}$ - 20 x 1 (6)
C2	900,800,670.01	Keps Nut $\frac{1}{4}$ x 20 (6)
A9	900,301,560.01	Selfs Screw #8 - 32 x $\frac{1}{4}$
A5	900,301,970.01	Screw, Phil Pan #8 - 32 x $\frac{1}{4}$ (3)
B4	900,201,140.01	Screw, Machine Tross #10 - 32 x $\frac{1}{2}$ (2)
B9	900,800,650.01	Keps Nut #10 - 32 (not shown) (2)

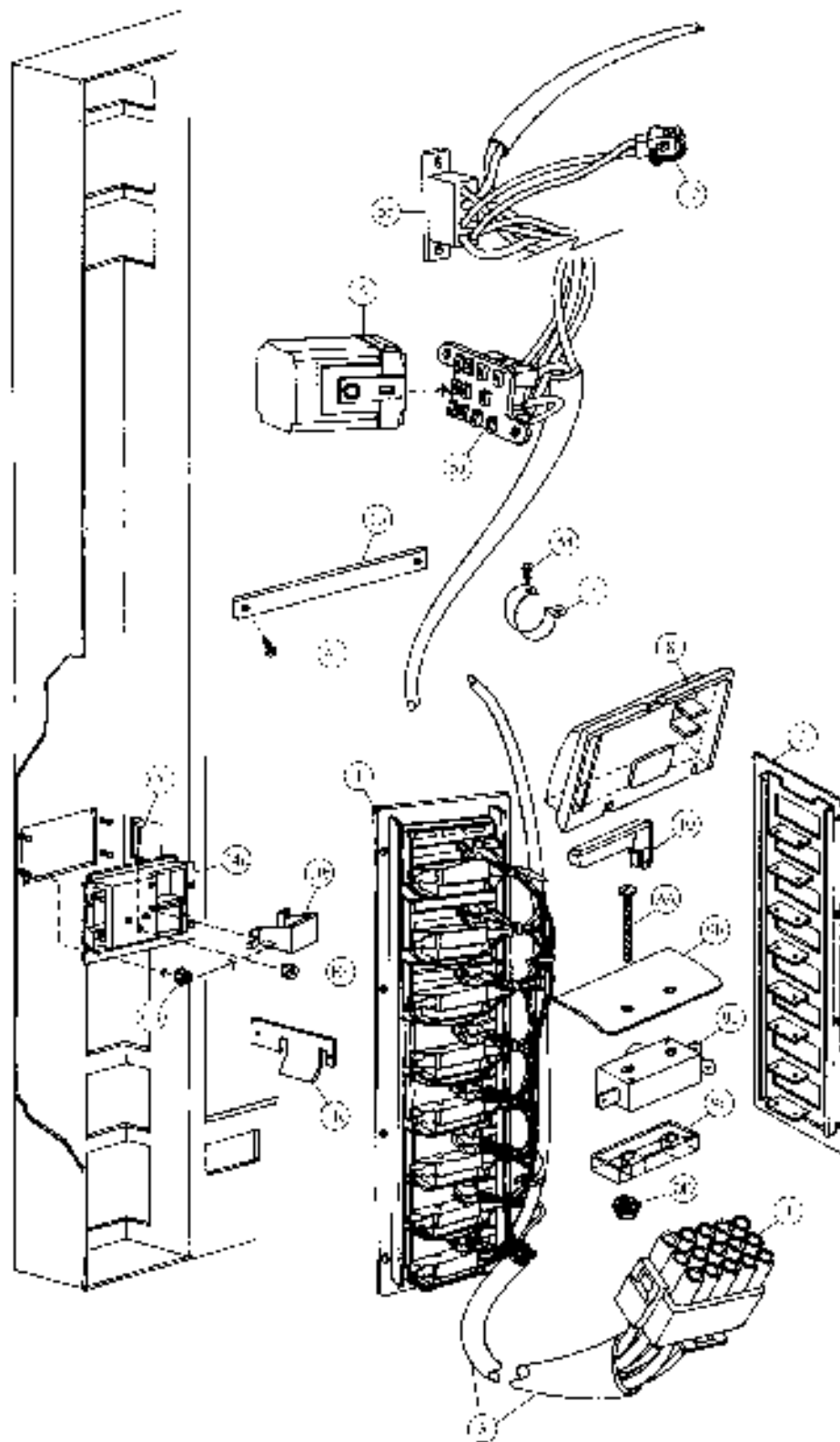
Pull-Out Handle & Coin Insert - Pepsi (Magnum Circular)



Pull-Out Handle & Coin Insert - Pepsi (Magnum Circular)

Item	Part Number	Part Name And Description
1a	801,503,050.01	T-Handle Assembly
1b	Specify key number	Lock with Two Keys
1c	Specify key number	Key Only
1e	801,505,730.01	Handle Only
1e	901,503,050.01	Spring
1f	4255 6 44W	Stud
1g	901,503,090.1	Cross Pin
2a	See list below	Coin Insert Assembly with T-Handle
2b	480,150,600.01	Domestic (USA & Canada)
	See list below	Coin Insert Assembly without T-Handle
	480,150,500.03	Domestic (USA & Canada)
	480,250,500.03	Export (all others except listed below)
2c	480,450,500.03	Mexican
	480,650,500.03	Argentina Token
	See list below	Coin Insert
	801,201,180.01	Domestic (USA & Canada)
2d	801,201,190.01	Export (all others except listed below)
	801,201,290.01	Mexican
	801,201,350.01	Argentina Token
2d	506,050,070.13	Coin Insert Retainer
2e	801,805,800.31	Coin Chute Cover
2f	801,805,700.61	Coin Chute
2g	801,700,600.11	Spring Extension
2h	453,050,800.03	Coin Return Plunger Assembly
2i	142,050,500.03	Plunger Bracket
2a	390,050,720.03	Validator Plug
2b	902,001,100.21	Gasket Validator (black)
4	See list below	Correct Change Lamp
	804,700,180.01	English "Use Correct Change"
	804,700,200.01	English, IEC Standard "Use Correct Change"
	804,700,110.01	Spanish "Importe Exacto"
	804,700,450.01	French "Billet L'Appoint"
	804,700,400.01	Italian "Usare Monete Corrette"
	804,700,170.01	Arabic "Lufey Para Adm"
	804,700,480.01	German "Algebraisches Geld Verwenden"
	804,700,490.01	Portuguese "Introduza Quantia Exata"
5	801,806,080.01	Drop Chute
10a	901,503,070.01	O Ring
10b	901,503,060.01	Flat Washer
10c	901,503,080.01	Hex Washer
11	900,801,700.01	Seals Screw #6 - 32 x 1/2 (4)
12	900,800,500.01	Nuts #8 - 32 (4)
13	900,400,750.11	T Bolt #8 - 32 x 1/2

Select Panel - Pepsi (Magnum Circular)

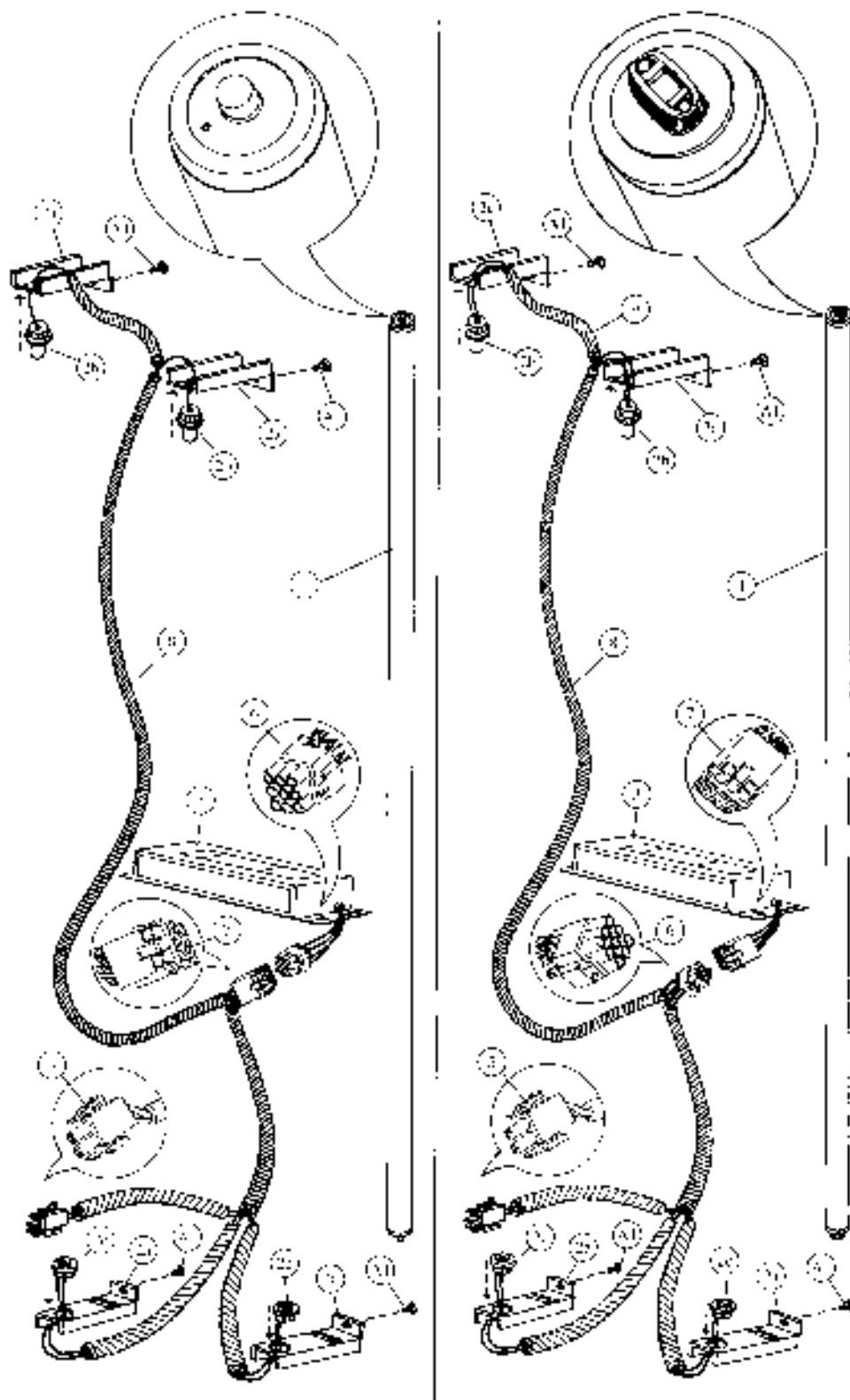


Select Panel - Pepsi (Magnum Circular)

Item	Part Number	Part Name And Description
1	488,050,300.03	Select Panel Assembly (specify harness)
2	488,050,200.03	Select Panel w/a
3	See list below	Door Harness (to select)
	804,903,710.11	Single Price & Single Price - IFC Standard
	804,903,840.11	Two Price & Two Price - IEC Standard
	804,904,010.11	Four Price & Four Price - IFC Standard
4	904,600,830.01	15-Way Plug
5a	904,600,620.01	Socket, Relay
5b	904,600,600.01	Socket, Coin Changer
6	804,200,170.01	Vend Relay (single price only)
7	901,901,890.01	1" Clamp
8	801,805,110.01	Button (small rectangle)
9a	801,804,540.21	Button Stop
9b	801,804,620.11	Switch Shield & Spring, Mylar
9c	801,100,510.21	Select Switch (Unimax A-10)
10	804,700,210.01	Sold Out Lamp
11	Indicate Flavor	Flavor Cards (not shown)
12	904,600,700.01	2-Way Cup
13	453,050,140.03	Door Strap
14a	801,805,610.11	Change Cup & Opener Bezel
14b	801,805,530.21	Change Cup
14c	399,050,270.13	Opener Housing Reinforcement Plate
15	901,000,190.01	Crown Puller (not shown)
16	432,050,400.03	Crown Catcher (not shown)
17	432,050,280.33	Crown Chute (not shown)

11D	900,800,490.01	Keps Nut #6 - 32 (12)
CC	900,201,220.11	Machine Screw #8 - 32 x 3/4
18	900,800,510.01	Elastic Stop Nut #8 - 32
A4	900,301,500.01	Screw, Phil Pan #8 - 18 x 1/2 (12)
A9	900,301,560.01	Sems Screw #8 - 32 x 3/8 (2)
D3	900,400,430.01	T-Bolt #8 - 32 x 1 (4)
C3	900,800,500.01	Keps Nut #8 - 32 (14)
AA	900,201,310.01	Screw #6 - 32 x 1 1/4 (20)

Lighting - Pepsi (Magnum Circular)



Slimline

High-Output

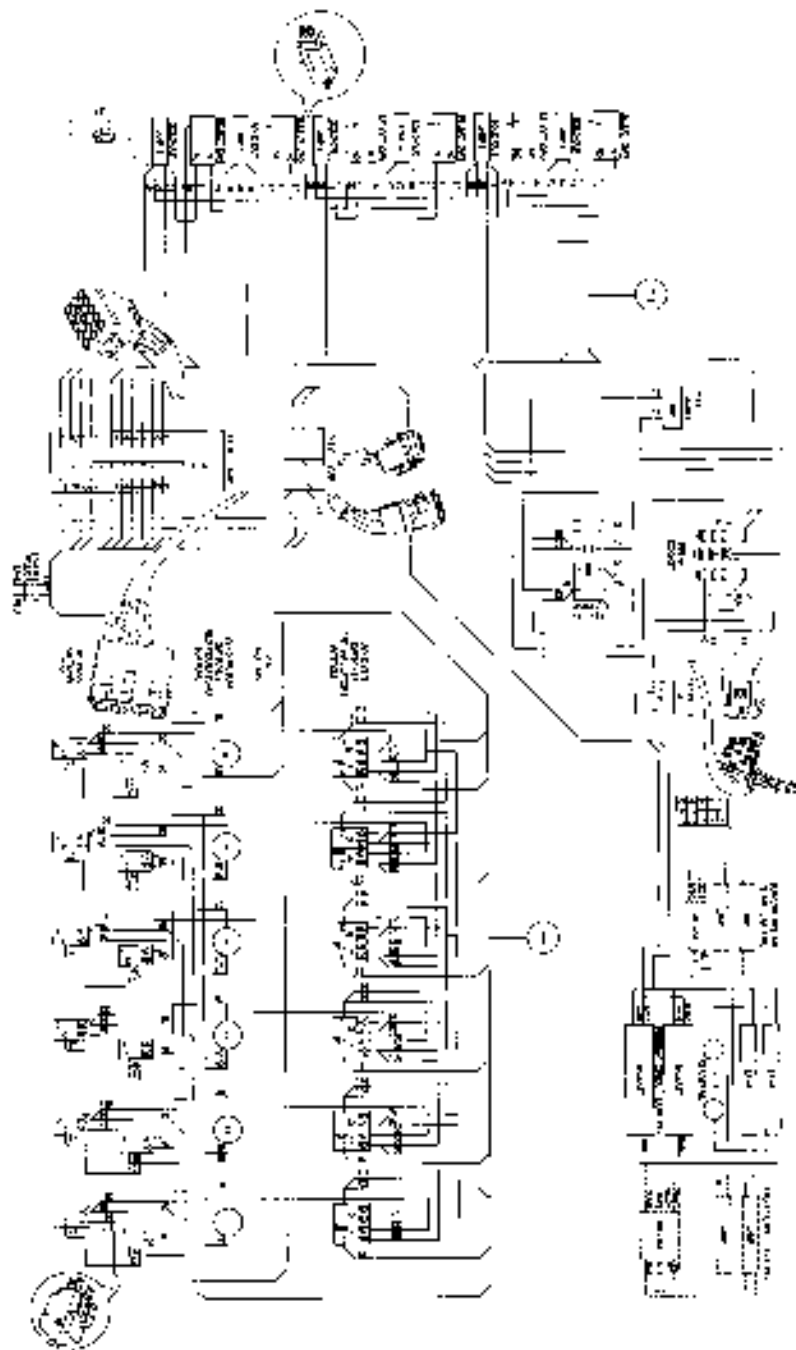
Lighting - Pepsi (Magnum Circular)

Item	Part Number	Part Name And Description
High-Output Lighting		
1	804,700,370.01	Fluorescent Bulb - F64T12/D/HO
2a	432,050,380.63	Door Bracket Lamp Socket
2b	804,901,990.01	Top Lamp Holders - 523
2c	804,902,000.01	Bottom Lamp Holders - 524
3	804,100,380.01	Plug-In Ballast, Advance #VSM/HO
4	904,800,520.01	Connector, Electrical (scotchlock 557)(not shown)
5	904,600,710.01	2-Way Plug
6	904,600,670.01	9-Way Plug
7	904,600,660.01	9-Way Cap
8	804,904,510.21	Plug-In Ballast Harness, High Output
9	804,904,920.21	Lamp Fixture Jumper, High Output

Slimline Lighting		
1	804,700,300.01	Fluorescent Bulb F64T12/DAYLT
2a	432,050,380.63	Door Bracket Lamp Socket
2b	804,902,020.01	Top Lamp Holders - 516
2c	804,902,030.01	Bottom Lamp Holders - 517
3	804,400,370.11	Plug-In Ballast, Slimline
4	904,800,520.01	Connector, Electrical (scotchlock 557)(not shown)
5	904,600,710.01	2-Way Plug
6	904,600,670.01	9-Way Plug
7	904,600,660.01	9-Way Cap
8	804,904,600.51	Plug-In Ballast Harness, Slimline

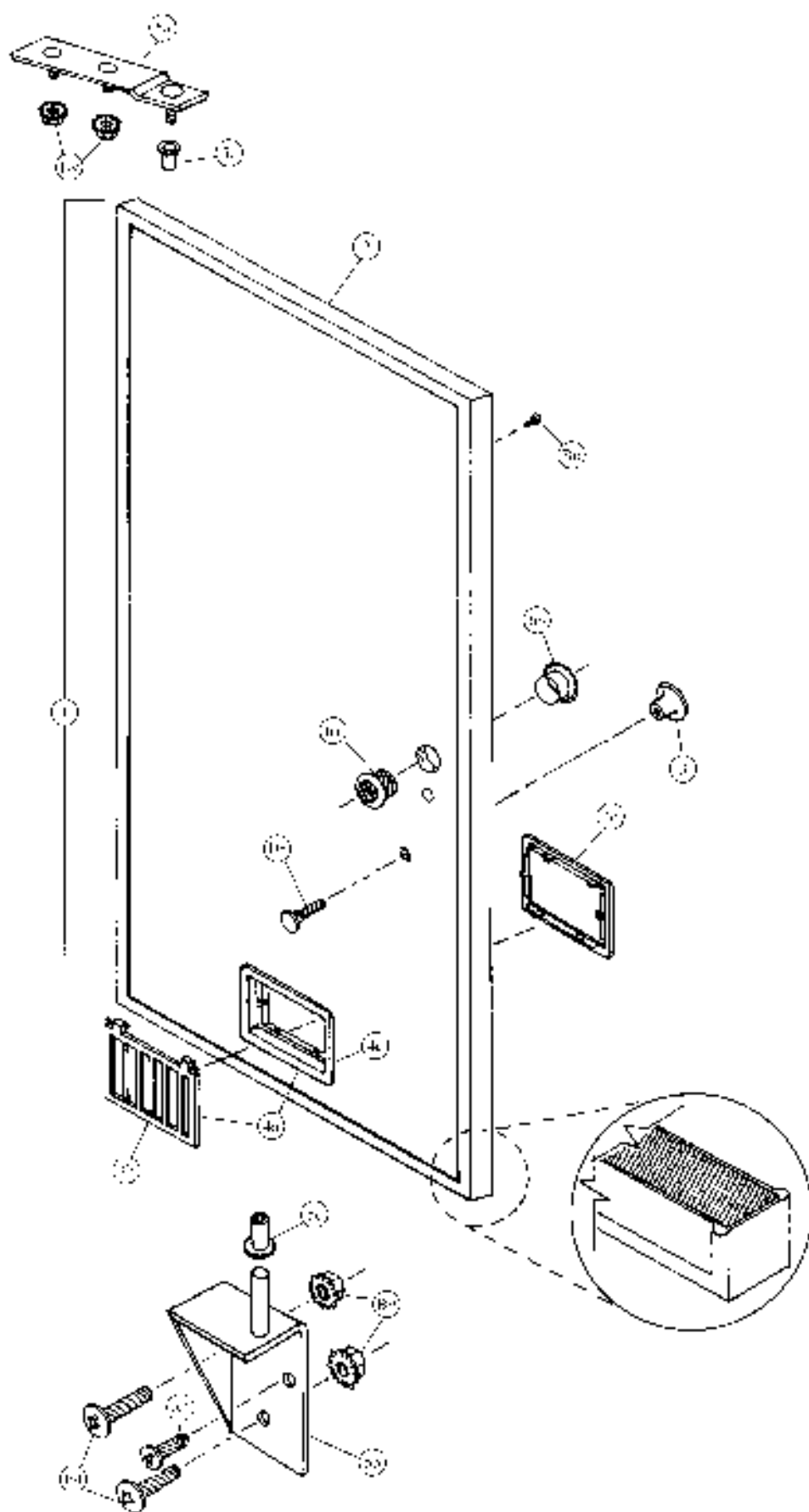
A1	900,301,700.01	Sheet Metal Screw #6 - 32 x 3/8	(4)
----	----------------	---------------------------------	-----

Wiring Harness - Pepsi (Magnum Circular)



Sample Diagram
6 Column Adaptable, Single Price

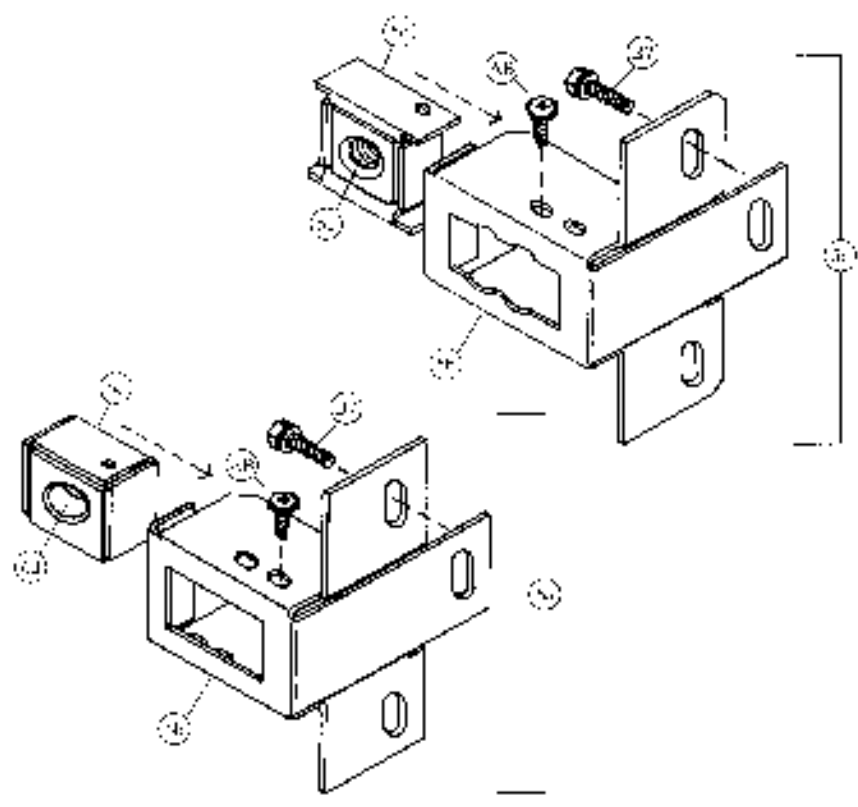
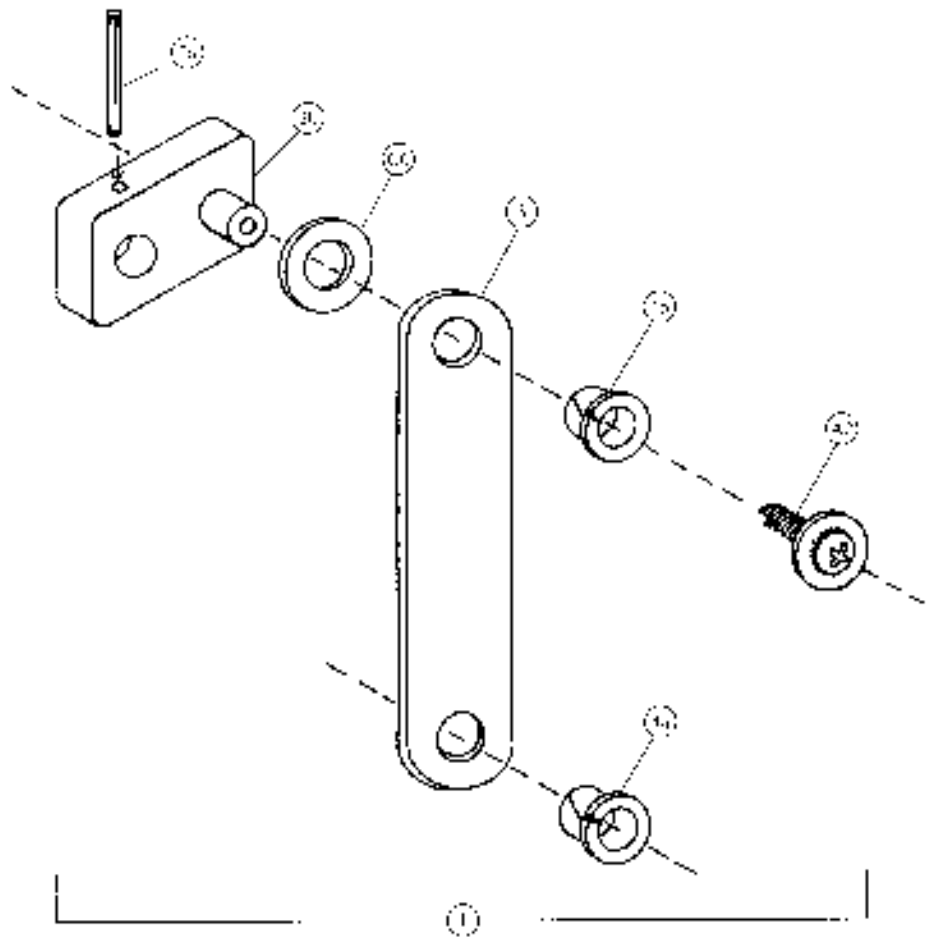
Inner Door - Pepsi (Magnum Circular)



Inner Door - Pepsi (Magnum Circular)

Item	Part Number	Part Name And Description	
1	470,150,200.03	Inner Door Assembly	
2	801,804,060.01	Inner Door Gasket	
3	901,501,700.01	Knob	
4a	801,806,920.01	Discharge Frame Assembly	(includes 4b & 4c)
4b	801,806,600.01	Delivery Door	
4c	801,806,550.01	Discharge Frame	
4d	801,806,560.01	Retainer Frame Inner Door	
5a	169,053,001.13	Inner Door Top Hinge, w/a	
5b	169,051,101.63	Inner Door Bottom Hinge, w/a	
5c	901,803,710.01	Plastic Bearing	
6a	801,806,420.51	Bushing - Inner Door	
6b	801,806,430.31	Bushing Retainer - Inner Door	
7	804,902,610.01	4" Ground Wire (10mm)	(not shown)
108	900,201,230.11	Carriage Bolt 3/8" - 20 x 1 1/4"	
136	900,301,650.01	Screw, Phil Pan #8 - 18 x 1/2" (with washer)	(55)
A-1	900,301,500.01	Screw, Phil Pan #8 - 18 x 1/2" (without washer)	
139	900,800,650.01	Nuts #10 - 32	(4)
B-	900,201,140.01	Screw, Machine Truss #10 - 32 x 1/2"	(2)

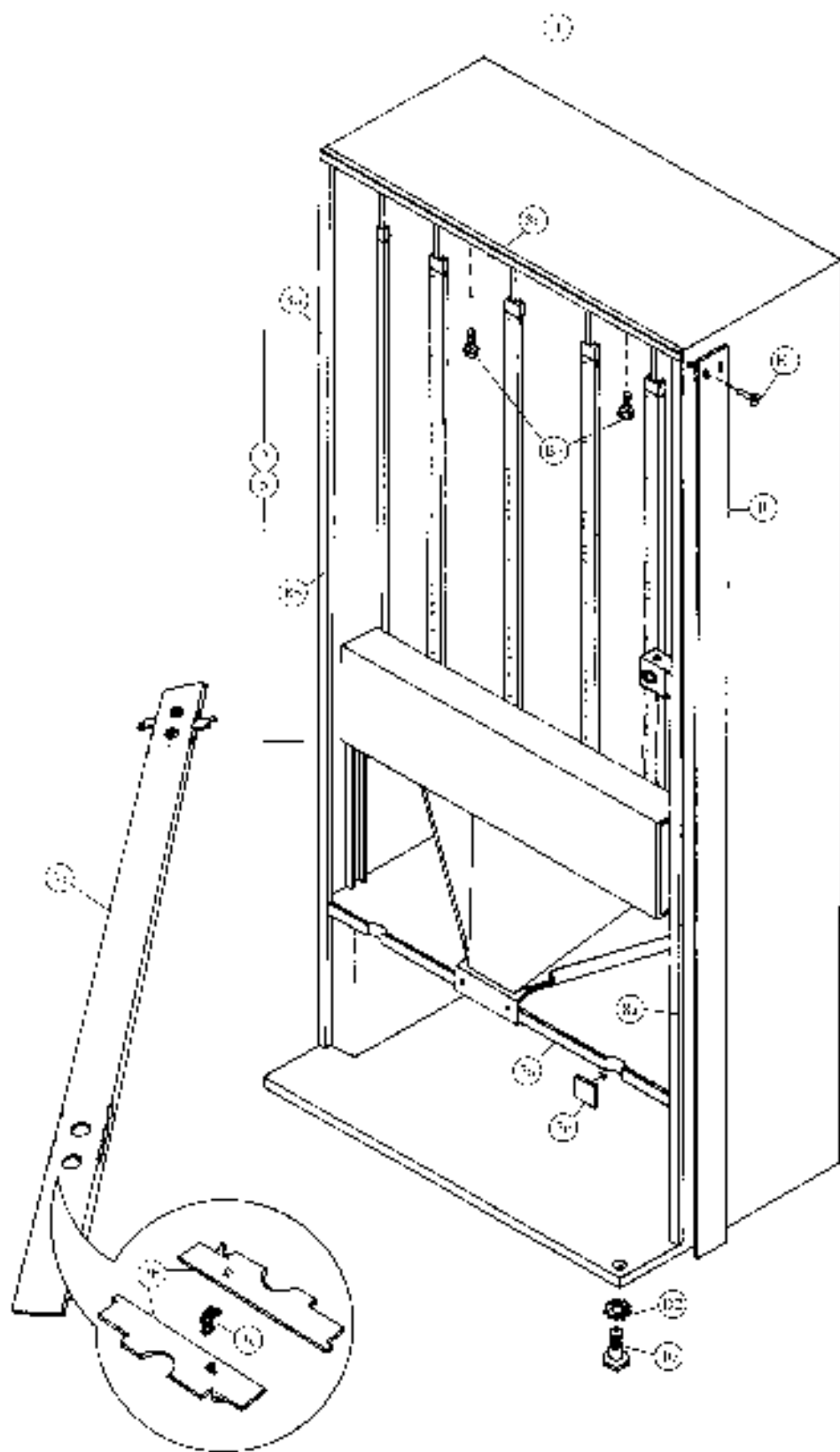
Two-Bar Linkage & Nut Retainer Housing - Pepsi (Magnum Clr.)



Two-Bar Linkage & Nut Retainer Housing - Pepsi (Magnum Cir.)

Item	Part Number	Part Name And Description
1	491,070,500.03	Linkage & Drive Arm Assembly
2a	900,901,940.01	Groove Pin, 1 1/2" (30mm)
2b	801,200,950.61	Drive Arm
3	801,201,030.11	Linkage Arm
4a	901,803,160.01	Top Nyliner
4b	901,804,770.01	Bottom Nyliner
5a	432,052,500.04	Traditional Nut Retainer Housing Assy.
5b	432,050,730.43	Traditional Nut Retainer Housing
5c	801,303,850.21	Traditional Cage Nut
5d	900,800,570.11	Square Nut, A - 13 N.C.
6a	432,052,600.04	Star Lock Nut Retainer Housing Assembly
6b	432,050,740.33	Star Lock Nut Retainer Housing
6c	432,050,760.03	Cage Nut Star Lock
6d	801,505,510.01	Latch Housing Star Lock
A13	900,301,960.01	Secms Screw #8 - 32 x 1/4
C6	900,700,600.01	Flat Washer, Delrin .040
A2	900,301,640.01	Secms Screw #8 - 32 x 1/4
B7	900,302,010.01	Secms Screw A - 20 x 1/4
A5	900,301,970.01	Phil Pan Screw #8 - 32 x 1/4

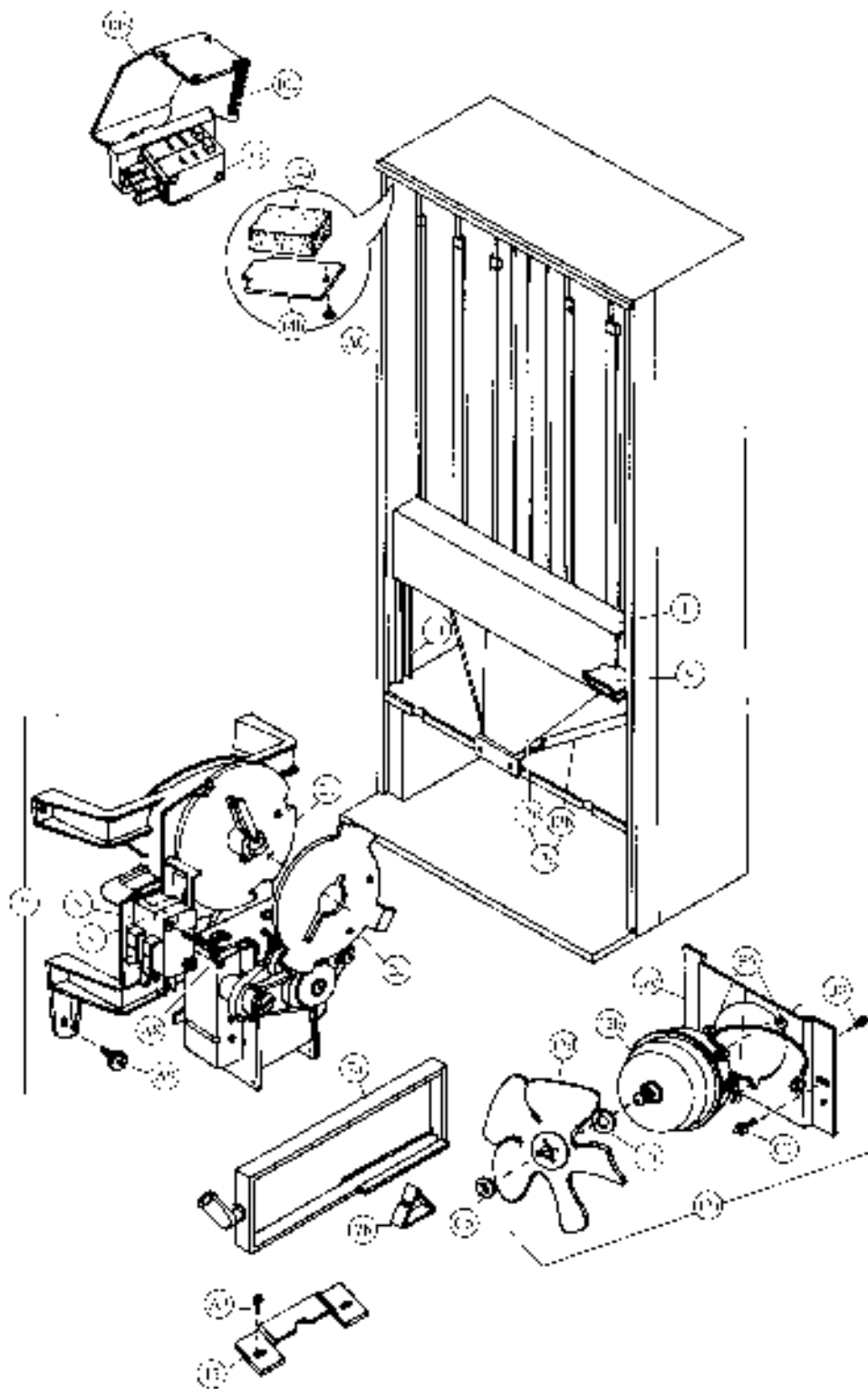
Cabinet Interior - Pepsi (Magnum Circular)



Cabinet Interior - Pepsi (Magnum Circular)

Item	Part Number	Part Name and Description	
1	492.000.700.03	Foam Cabinet Assembly	
2a	See list below	360 Stack Assembly	(specify harness)
	443.070.000.02	Single Price	
	443.170.000.03	Two/Four Price	
3b	See list below	360WS Stack Assembly	(specify harness)
	443.270.000.03	Single Price & Single Price - IEC Standard	
	443.370.000.03	Two/Four Price & Two/Four Price - IEC Standard	
3c	492.070.200.03	Rear Spacer Assembly, Wide Column	
4a	367.070.080.53	Latch Finger, Large	
4b	901.700.690.01	Rear Spacer Spring	
4c	165.000.051.33	Protective Plate, RS Cabinet	(not shown)
4d	165.000.041.67	Protective Plate, RS Cabinet	
5a	443.070.100.03	360 Stack Sub Assembly	
5b	443.070.200.03	360WS Stack Sub Assembly	
6a	801.800.220.11	McTion	
6b	801.303.850.01	McTion Cover, Metal	(not shown)
7c	not applicable	McTion Cover, Plastic	(obsolete)
8a	492.020.010.03	Breaker Strip, Right	
8b	492.020.050.03	Breaker Strip, Left	
8c	492.020.170.03	Breaker Strip, Top	
9a	490.000.100.13	Ballast Plate Assembly	(not shown)
	491.020.800.13	Ballast Plate Assembly - IEC Standard	(not shown)
9b	432.020.070.03	Ballast Plug	(not shown)
	492.050.140.03	Ballast Plate - IEC Standard	(not shown)
10	900.502.190.71	Leveling Leg, 1/2"	(4)
11	491.070.020.13	Mounting Bracket, Rear	(not shown)
12	477.070.020.13	Rodent Guard, Wide	(not shown)
	474.071.700.13	Rodent Guard, Wide - IEC Standard	(not shown)
13	802.400.360.01	Transformer, Resistor Isolation	(not shown)
14	801.902.170.11	Transformer, Jumper	(not shown)
16a	901.902.280.01	Heyco Wide Clip #3699	(not shown)
16b	900.901.500.01	Cable Clamp, Green	(not shown)
13c	900.302.010.01	Self-Tapping Screw A - 20 x 3/8"	
17a	901.100.430.01	Pop Rivet, 4"	(15)
13d	900.301.770.21	Self-Tapping Screw B - 20 x 1"	(4)
17b	901.100.440.01	Drive Rivet, 5/8"	(15)
17c	900.700.890.01	Lock Washer, 3/4"	
17d	901.100.520.01	Pop Rivet, 4"	

Cabinet & Vend Mechanism - Pepsi (Magnum Circular)



Cabinet & Vend Mechanism - Pepsi (Magnum Circular)

Item	Part Number	Part Name and Description
1	491,070,050,33	Vend Motor Cover, Wide
	491,071,200,33	Vend Motor Cover, Wide - IBC Standard
2a	See list below	Vend Motor Assembly, Wide
	491,070,700,03	Single Price
	491,170,100,03	Two/Four Price
2b	801,800,390,2	Vend Cam, Blue
2c	801,800,400,1	Adjustable Cam, Gold
4	See list below	Vend Motor Switch
	804,100,600,01	Single Price (Double Switch)
	804,100,690,01	Single Price - IBC Standard (Double Switch)
	804,100,700,01	Two/Four Price - IBC Standard (Triple Switch)
5	905,800,330,11	Vend Motor Switch Insulator
6a	801,201,0,0,41	Vend Oscillator - Wide Column
7	901,700,650,31	Coin Retainer Oscillator
8a	801,803,170,01	Nylon, Rear
8b	801,804,270,01	Nylon, Front - Wide Column only
9	267,070,370,43	Wire Shield
10a	804,100,610,01	Sold Out: Switch Assembly
	804,100,680,01	Sold Out Switch Assembly - IBC Standard
10b	432,070,190,13	Sold Out: Peddle
10c	901,700,700,01	Sold Out: Peddle Spring (not shown)
11	491,070,170,33	Mechanism Support (not shown)
12a	See list below	Evaporator Fan Motor Assembly
	491,080,700,03	115v
	491,140,400,03	220 - 240v
12b	See list below	Evaporator Fan Motor
	804,500,590,01	115v
	804,500,620,01	220 - 240v
12c	164,040,080,13	Evaporator Fan Motor Bracket
12d	801,700,270,11	Evaporator Fan Blade
12e	902,100,290,01	Silencer
13a	480,070,100,03	Coin Chute Assembly (includes 13b & 13c)
13b	211,170,010,33	Coin Chute
13c	211,070,020,33	Chute Liner (Kydex)
14a	905,300,770,01	Foam Block
15	169,060,130,33	Finger Pocket Cover
16	176,072,110,13	Journal

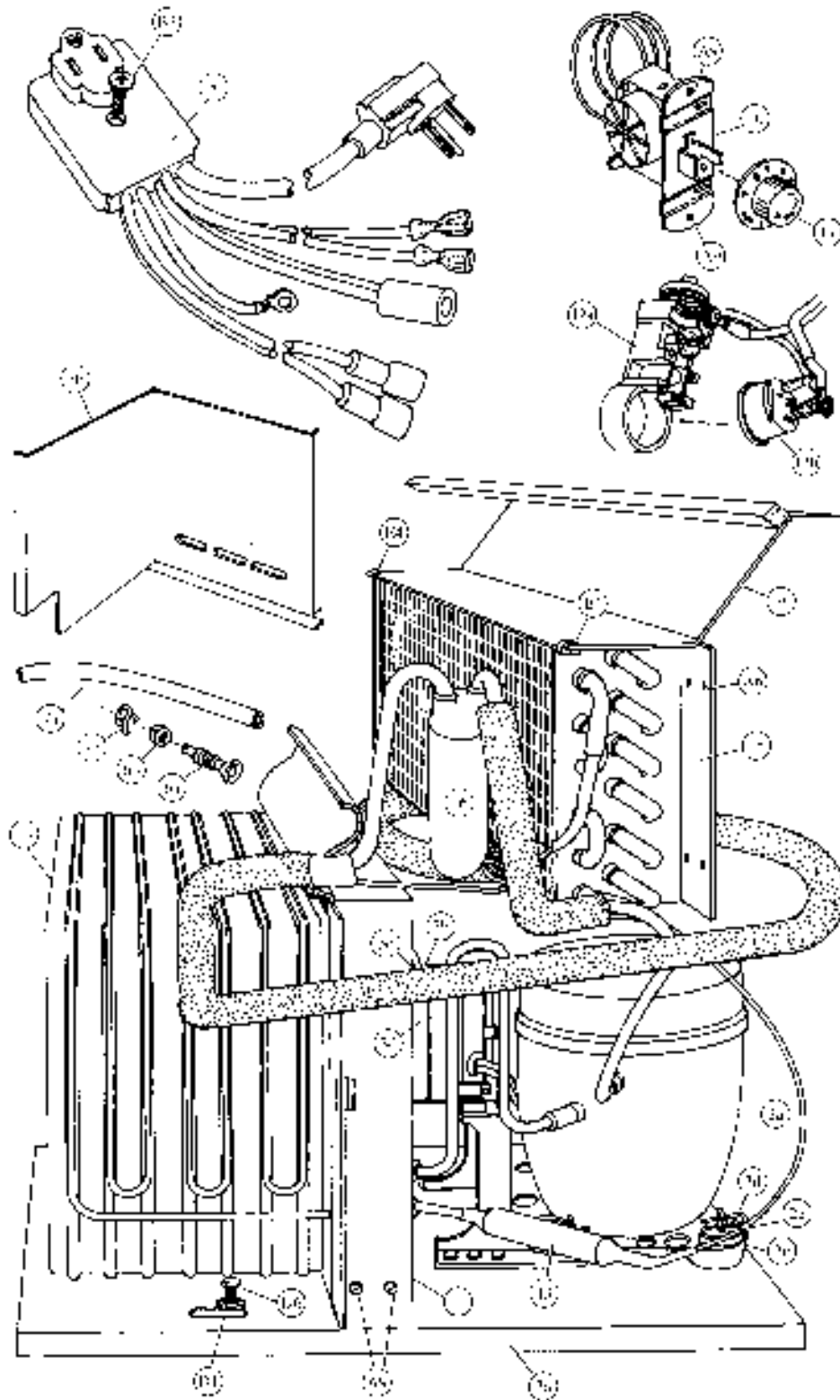
C1	900,301,510,02	Screw, Phil Pan Tapping
A1	900,301,830,01	Series Screw #10 - 32 x 3/8 (8)
S1	900,600,230,02	Sheet Metal Screw, Type "A"
B2	900,301,050,01	Hex Tap Screw #8 - 17 x 3/8 (2)
A2	900,301,810,01	Vend Motor Screw #4 x 1/2 s - Double Switch (16)
	900,301,810,01	Vend Motor Screw #4 x 1/2 - Triple Switch
A3	900,301,560,01	Series Screw #8 - 32 x 3/8 (23)
E3	900,401,090,01	Crimperet, Black Rubber #97 (3)
C5	900,300,850,01	Speed Nut
D1	900,301,850,01	Series Screw #8 - 32 x 3/8

Hinges and Rollers - Pepsi (Magnum Circular)

Item	Part Number	Part Name And Description
1a	901,806,200.01	Roller
1b	900,502,190.01	Roller Pin
2a	801,303,730.01	Top Hinge
2b	169,000,150.53	Hinge Spacer
2c	901,806,150.01	Standard Flange Nyloner
3a	900,502,640.01	Bottom Hinge Sleeve
3b	902,502,700.01	Bottom Hinge Pin

T7	900,900,900.01	Retainer
D7	900,201,170.01	Carriage Bolt ¼ - 20 x 1 (5)
C2	900,800,670.01	Keeps Nut ¼ - 20 (5)
C7	901,303,770.01	Flat Washer
C4	900,800,690.01	Keeps Nut, Top Door Hinge ¾ - 16

Refrigeration - Pepsi (Magnum Circular)



Refrigeration - Pepsi (Magnum Circular)

Item	Part Number	Part Name And Description	
1	Provide information listed	Complete Refrigeration System: Indicate unit model number from serial plate on unit base plate, refrigerant, voltage/hertz and country.	
2a	Provide information listed	Compressor A1P: Indicate compressor manufacturer, voltage/hertz, refrigerant and complete manufacturer's model number.	
2b	See list below 904,906,611.01	Compressor Lead Harness	(not shown)
	804,905,320.01	All, except IEC Standard	
	801,905,320.01	220 240v/50Hz, IEC Standard	
3	902,000,570.01	Compressor Mounting Grommet	
4	900,901,880.01	Compressor Retainer Clip	
5	901,806,910.01	Compressor Grommet Plug, Plastic	
6a	491,040,040.43	Condenser Base Plate	
7	See list below	Condenser Fan Motor Assembly	
	491,010,200.02	115v	
	491,110,300.02	220 240v	
8	See list below	Condenser Fan Motor	
	804,500,670.01	115v	
	804,500,700.01	220-240v	
9d	802,103,270.02	Fan Blade	(not shown)
4	491,000,100.23	Drain Pan Assembly	(not shown)
10	801,804,240.51	Drain Pan, Plastic	(not shown)
4	905,800,690.01	Soaker, Fiberglass	(14) (not shown)
5	491,040,650.53	Condenser Baffle, Right Side	(not shown)
6b	491,040,660.63	Condenser Baffle, Rear	
6c	801,806,050.11	Drain Tube	
6d	900,301,790.01	Drain Tube Nut	
7a	901,900,500.01	Drain Hose	
7b	900,901,230.01	Drain Hose Clamp	
8	See listing below	Main Wiring Harness	
	804,902,220.01 (a)	United States	(shown)
	804,905,480.01 (b)	Australia, IEC 315	
	804,905,490.01 (c)	United Kingdom, IEC 335	
	801,902,160.21 (d)	Europe	
	802,903,160.01 (e)	Mexico	
	804,905,450.01 (f)	Italy	
	804,905,470.01 (g)	Danish, IEC 335	
	804,905,460.01 (h)	Germany, with Splashwater Protector	
9	211,040,030.13	Top Pan Housing	
10	802,806,110.01	Temperature Control	
11	491,040,110.23	Fan Shield Condenser	
12a	Provide information listed	Relay: Indicate compressor manufacturer, model # and voltage/hz	
12b	Provide information listed	Overload: Indicate compressor manufacturer, model # and voltage/hz	
13	802,401,240.01	Dryer	
14	802,600,550.01	Condenser	
15	802,600,370.01	Evaporator	
16	802,500,160.01	Accumulator	
17	800,800,470.01	Knob, Temperature Control	
Ag	900,600,230.02	Sheet Metal Screw, Type "A" (not shown)	(2)
Ap	900,701,560.01	Semi Screw #8 - 12 x 3/8	(6)
Av	900,301,810.01	Screw, #10 - 5/2 x 1 1/2	
D	900,700,360.01	Lockwasher, W	(2)
Ea	900,901,890.01	Timmerman Clip	(2)
Da	900,400,440.01	Refrigeration Belt 3/4 - 16 x 1	(2)

Signs and Decals - Pepsi (Magnum Circular)



①



②



③

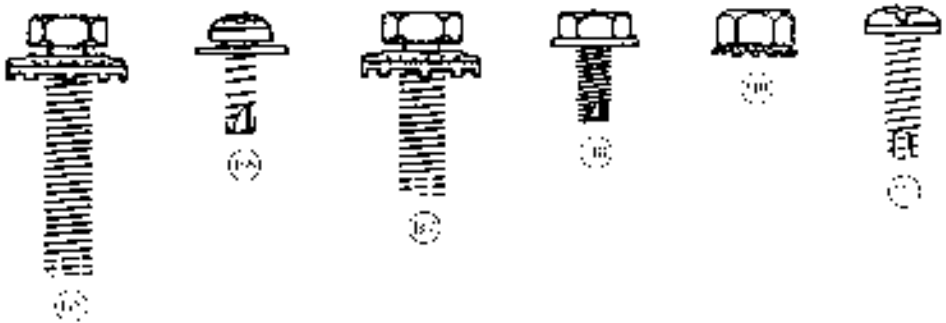
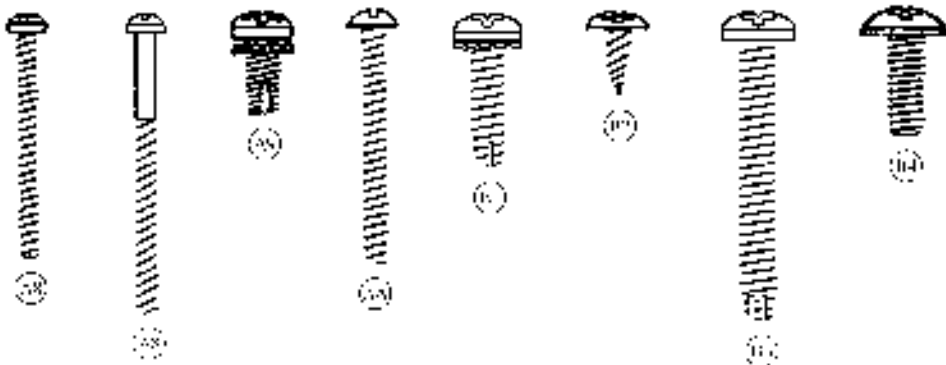


④

Signs & Decals - Pepsi (Magnum Circular)

Item	Part Number	Part Name And Description
1	See list below	Pepsi Cola Signs
	805,009,770.01	Pepsi Can On Ice Sign (1992 graphics) (shown)
	805,006,180.41	Pepsi Sign (Target graphics)
	805,007,250.01	Pepsi Sign, Solar Grade
	805,007,260.01	Pepsi Sign, Solar Grade
	805,008,150.01	Pepsi Can On Ice Sign (1991 graphics)
	805,009,370.01	Pepsi Can On Ice Sign, Solar Grade
2	See list below	Diet Pepsi Cola Signs
	805,009,880.01	Diet Pepsi Can On Ice Sign (1992 graphics)
	805,008,420.01	Diet Pepsi Can On Ice Sign (1991 graphics)
	805,006,330.01	Diet Pepsi Sign, Solar Grade (1991 Target graphics) (shown)
	805,008,680.01	Diet Pepsi Can On Ice Sign
3	See list below	Pepsi Cola Side Decals
	803,830,570.01	Pepsi Side Decal (1992 graphics) (shown)
	803,818,860.11	Pepsi Side Decal (1991 Target graphics)
	803,830,570.01	Pepsi Side Decal
	803,832,780.01	Pepsi Side Decal, Hebrew - Israel
4	See list below	Diet Pepsi Cola Side Decals
	803,824,580.01	Diet Pepsi Side Decal (1991 Target graphics) (shown)
	803,830,640.01	Diet Pepsi Side Decal (1992 graphics)

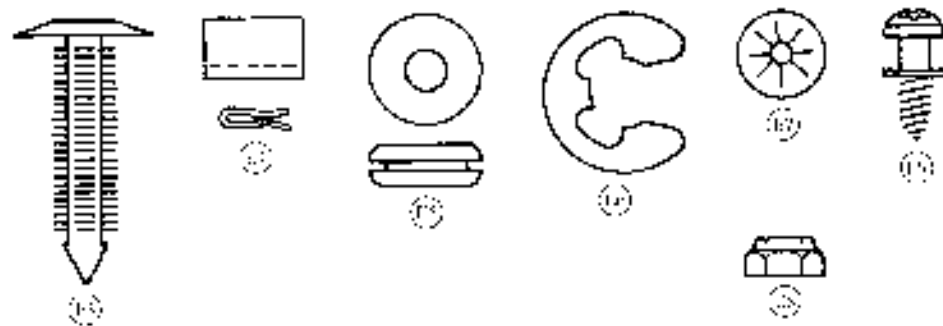
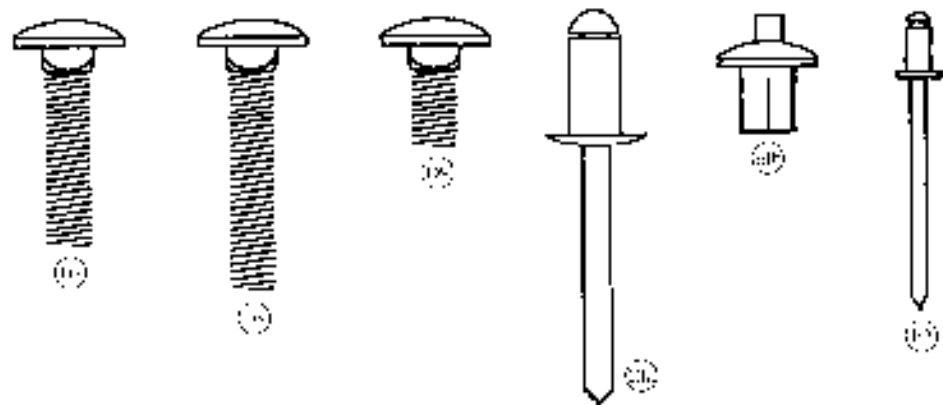
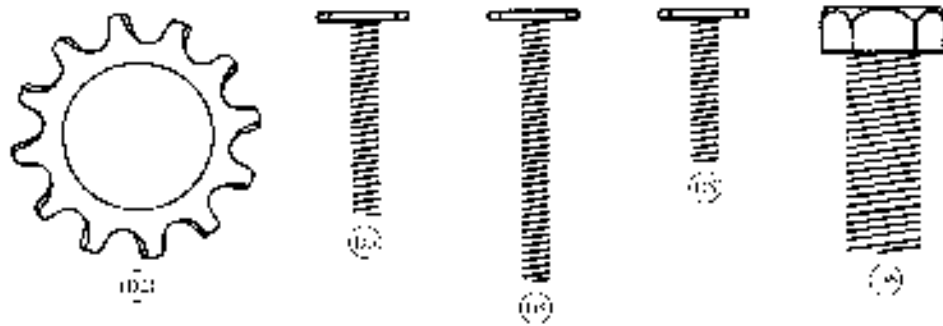
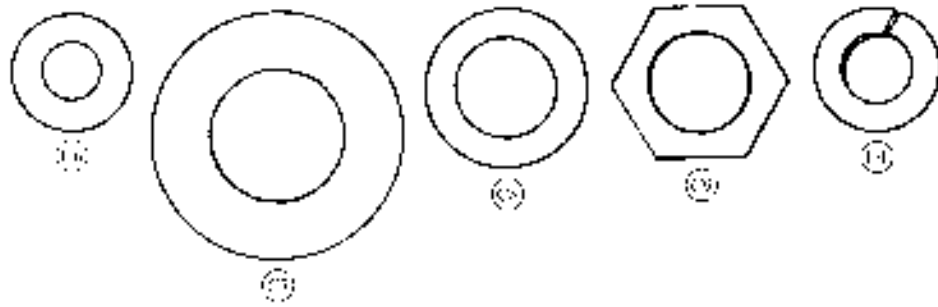
Screws & Nuts - Pepsi (Magnum Circular)



Screws & Nuts - Pepsi (Magnum Circular)

Item	Part Number	Part Name And Description
A1	900,301,700.01	Sems Screw #6 - 32 x $\frac{3}{8}$
A2	900,301,640.01	Sems Screw #8 - 32 x $\frac{1}{2}$
A3	900,301,830.01	Screw, Phil Pan #10 - 32 x $\frac{3}{4}$
A4	900,301,500.01	Screw, Phil Pan (without washer) #8 - 18 x $\frac{1}{2}$
A5	900,301,970.01	Screw, Phil Pan #8 - 32 x $\frac{1}{4}$
A6	900,600,230.02	Sheet Metal Screw, Type "A"
A7	900,300,470.01	Screw, Phil Pan #4 x $\frac{3}{4}$
A8	900,301,820.01	Vend Motor Screw #4 x 1 $\frac{1}{4}$
	900,301,610.01	Vend Motor Screw #4 x 1 $\frac{1}{2}$
A9	900,301,560.01	Sems Screw #8 - 32 x $\frac{3}{4}$
AA	900,201,310.01	Machine Screw #6 - 32 x 1 $\frac{1}{4}$
AB	900,301,960.01	Sems Screw #8 - 32 x $\frac{1}{4}$ (not shown)
B1	900,301,850.01	Sems Screw #8 - 32 x $\frac{3}{4}$
B2	900,300,160.01	Sems Screw #6 x $\frac{3}{4}$
B3	900,301,810.01	Screw #10 - 32 x 1 $\frac{1}{2}$
B4	900,201,140.01	Screw, Machine Truss #10 - 32 x $\frac{1}{2}$
B5	900,301,730.01	Self-Tapping Screw $\frac{1}{4}$ - 20 x 1
B6	900,301,650.01	Screw, Phil Pan (with washer) #8 - 18 x $\frac{1}{2}$
B7	900,302,010.01	Self-Tapping Screw $\frac{1}{4}$ - 20 x $\frac{3}{4}$
B8	900,301,690.01	Screw, Hex Tap #8 - 32 x $\frac{3}{4}$
B9	900,800,650.01	Keys Nut #10 - 32
C1	900,901,510.02	Screw, Phil Pan Tapping
C2	900,800,670.01	Keys Nut $\frac{1}{4}$ - 20
C3	900,800,500.01	Keys Nut #8 - 32
C4	900,800,690.01	Keys Nut (Top Door Hinge) $\frac{3}{4}$ - 16
C5	900,800,850.01	Speed Nut
CC	900,201,220.11	Machine Screw #8 - 32 x $\frac{3}{4}$
DD	900,800,490.01	Keys Nut #6 - 32

Washers, Bolts & Misc. - Pepsi (Magnum Circular)



Washers, Bolts & Misc. - Pepsi (Magnum Circular)

Item	Part Number	Part Name And Description
C6	900,700,600.01	Washer, Flat
C7	901,303,770.01	Washer, Hinge
C8	901,503,060.01	Washer, Flat (T-Handle)
C9	901,503,080.01	Washer, Hex (T-Handle)
D1	900,700,360.01	Lockwasher, 3/8"
D2	900,700,890.01	Lockwasher, 3/8"
D3	900,400,430.01	T Bolt #8 - 32 x 1
D4	900,400,410.01	T Bolt #8 - 32 x 1 1/2
D5	900,400,350.31	T-Bolt # 8 - 32 x 3/4
D6	900,400,440.01	Refrigeration Bolt 3/8 - 16 x 1
D7	900,201,170.01	Carriage Bolt 1/4 - 20 x 1
D8	900,201,230.11	Carriage Bolt 1/4 - 20 x 1 1/4
D9	900,201,450.01	Carriage Bolt 1/4 - 20 x 1/2
E1a	901,100,430.01	Pop Rivet 1/4"
E1b	901,100,440.01	Drive Rivet 1/4"
E2	901,100,520.01	Pop Rivet 1/2"
E4	900,902,130.01	Christmas Tree Clip
E6	900,901,890.01	Tinnerman Clip
F5	900,401,090.01	Grommet, Black Rubber #97
F6	901,503,070.01	E Ring
F7	900,900,900.01	Retainer
E8	900,800,510.01	Elastic Stop Nut #8 - 32
E9	900,301,980.01	Phil Pan Shoulder Screw #8 - 18 x 1 1/2