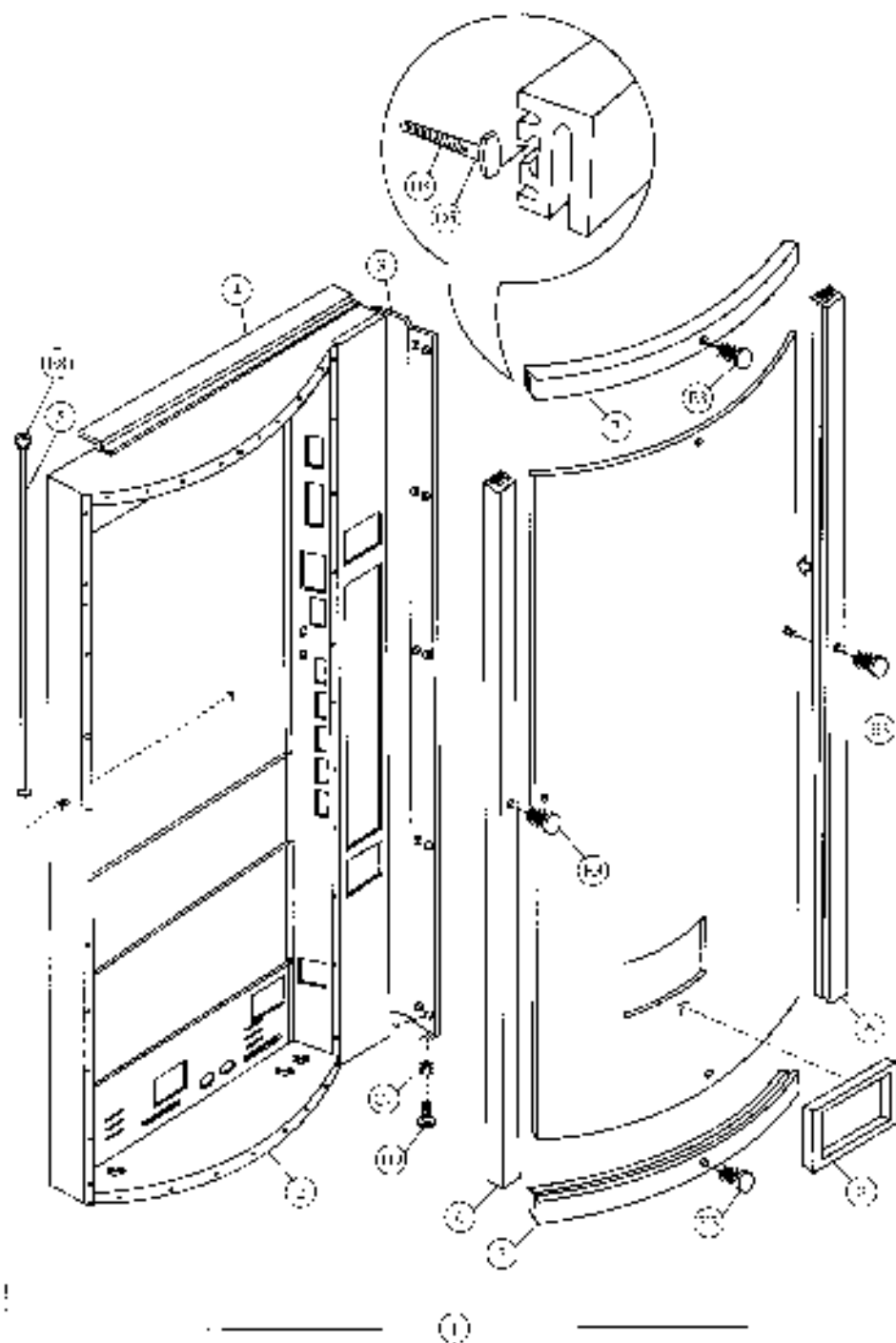




Pepsi (Magnum Cir.) DNCB 368MC

| | |
|--|---|
| Dimensions | 72" H x 37 1/2" W x 30 1/2" D (1829mm H x 946mm W x 775mm D) |
| Dimensions Less Door | 72" H x 37 1/2" W x 27 1/2" D (1829mm H x 946mm W x 698mm D) |
| Approximate Weight | 688 lbs. (312kg) |
| Selections/Columns | 8/8 |
| Total 12 oz. (330ml) Cans Capacity/Vend | 276(560) |
| Column Capacity 12 oz. (330ml) Cans | 4 Single Columns - 32 Each 4 Double Columns - 62 Each |

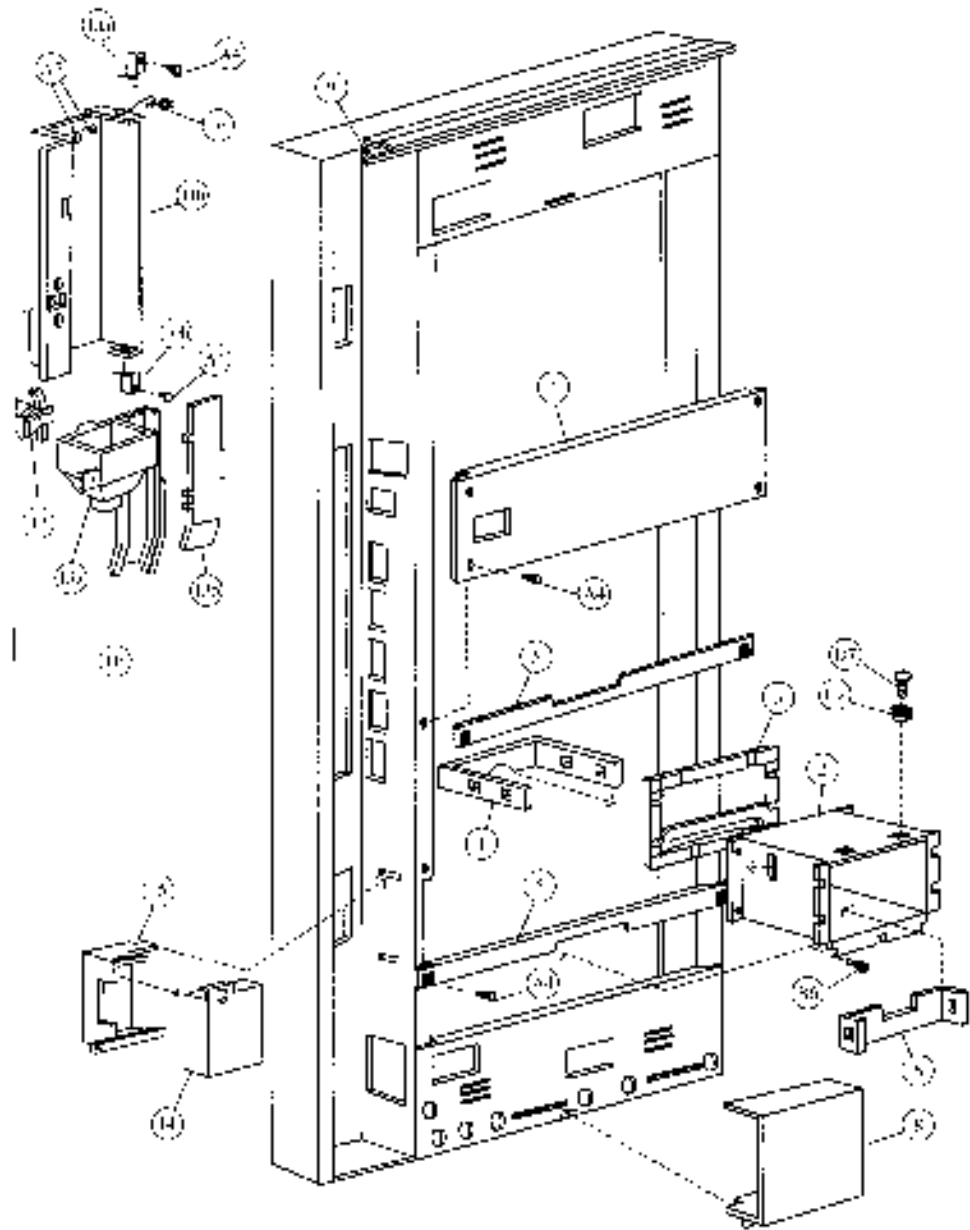
Main Door - Exterior - Pepsi (Magnum Circular)



Main Door - Exterior - Pepsi (Magnum Circular)

| Item | Part Number | Part Name And Description |
|------|----------------|--|
| 1 | 482,150,000.03 | Main Door Assembly (specify graphics & hardware) |
| 2 | 482,150,100.03 | Main Door Weld Assembly |
| 3 | 165,150,331.43 | Protective Plate Door |
| 4 | 164,151,142.33 | Rain Guard |
| 5 | 900,502,510.11 | Tie Rod |
| 6 | 801,805,470.01 | 68 1/8" (1731mm) Vertical Trim LS & RS |
| 7 | 801,805,470.01 | 29 1/8" (738mm) Horizontal Trim (top & bottom) |
| 8 | 801,602,860.31 | Delivery Port Trim (black) |
| | | |
| | | |
| | | |
| | | |
| | | |
| | | |
| | | |
| | | |
| | | |
| | | |
| | | |
| ES | 900,800,510.01 | Elastic Stop Nut #8 - 32 |
| D4 | 900,400,410.01 | T-Bolt #8 - 32 x 1 3/4 |
| D5 | 900,400,350.31 | T-Bolt #8 - 32 x 1/2 (46) |
| H3 | 900,902,130.01 | Christmas Tree Clip (9) |
| D9 | 900,201,450.01 | Carriage Bolt 1/4 - 20 x 1/2 (10) |
| C2 | 900,800,670.01 | Keys Nut 1/4 - 20 (10) |
| C3 | 900,800,500.01 | Keys Nut #8 - 32 (60) |

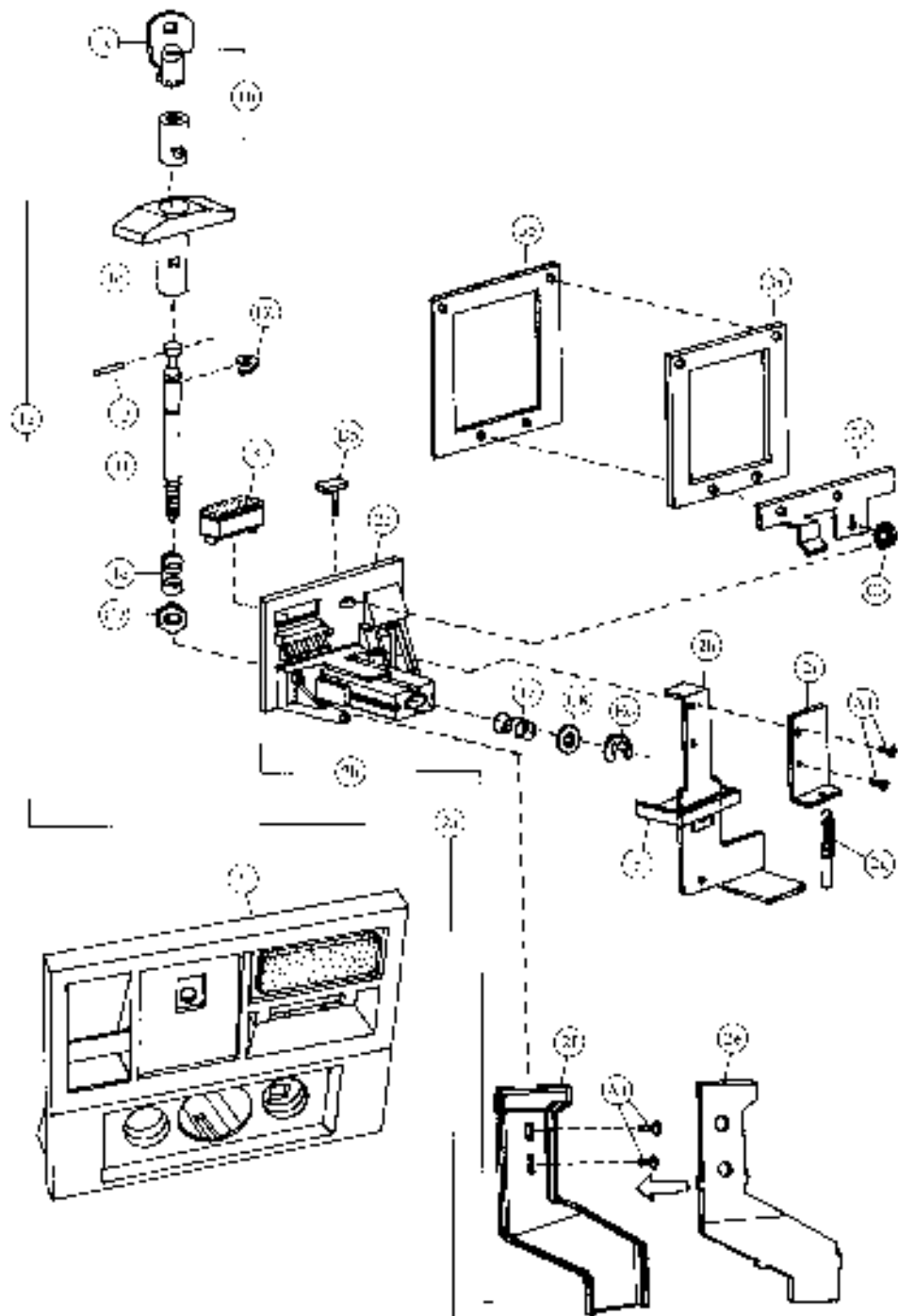
Main Door - Interior - Pepsi (Magnum Circular)



Main Door - Interior - Pepsi (Magnum Circular)

| Item | Part Number | Part Name And Description |
|------|----------------|--|
| 1 | 399,050,240.03 | Discharge Member |
| 2 | 801,806,030.61 | Delivery Port (black frame) |
| 3 | 801,805,500.21 | Port Spacer |
| 4 | 453,150,010.23 | Center Door Stiffener |
| 5 | 480,050,060.03 | Delivery Port Stiffener |
| 6 | 432,010,510.13 | Closure Strip |
| 7 | 901,901,890.01 | 1" Clamp (not shown) |
| 8 | 432,050,660.03 | Cover Wire Plug |
| 9 | 903,600,530.01 | L-Profile Gasket |
| 10a | 432,051,000.03 | Access Door Top Hinge, w/a |
| 10b | 432,051,101.63 | Access Door Bottom Hinge, w/a |
| 11a | 491,050,600.03 | Access Door Assembly |
| 11b | 432,150,030.33 | Access Door |
| 12 | 901,902,130.11 | Access Door Latch |
| 13a | 801,806,580.11 | Coin Hopper and Chute |
| 13b | 801,806,590.11 | Coin Chute Front |
| 14 | 432,051,800.03 | Cash Box, w/a |
| 15 | 432,050,181.43 | Cash Box Shelf |
| 16 | 804,902,610.01 | 4" Ground Wire (102mm) |
| B6 | 900,301,650.01 | Screw, Phil Pan (with washer) #8 - 18 x 1/8 (3) |
| C3 | 900,800,500.01 | Keps Nut #8 - 32 |
| A4 | 900,301,500.01 | Screw, Phil Pan (without washer) #8 - 18 x 1/8 (9) |
| D7 | 900,201,170.01 | Carriage Bolt 1/2 - 20 x 1 (6) |
| C2 | 900,800,670.01 | Keps Nut 1/2 x 20 (6) |
| A9 | 900,301,560.01 | Sems Screw #8 - 32 x 3/8 |
| A5 | 900,301,970.01 | Screw, Phil Pan #8 - 32 x 1/4 (3) |
| B4 | 900,201,140.01 | Screw, Machine Truss #10 - 32 x 1/2 (2) |
| B9 | 900,800,650.01 | Keps Nut #10 - 32 (not shown) (2) |

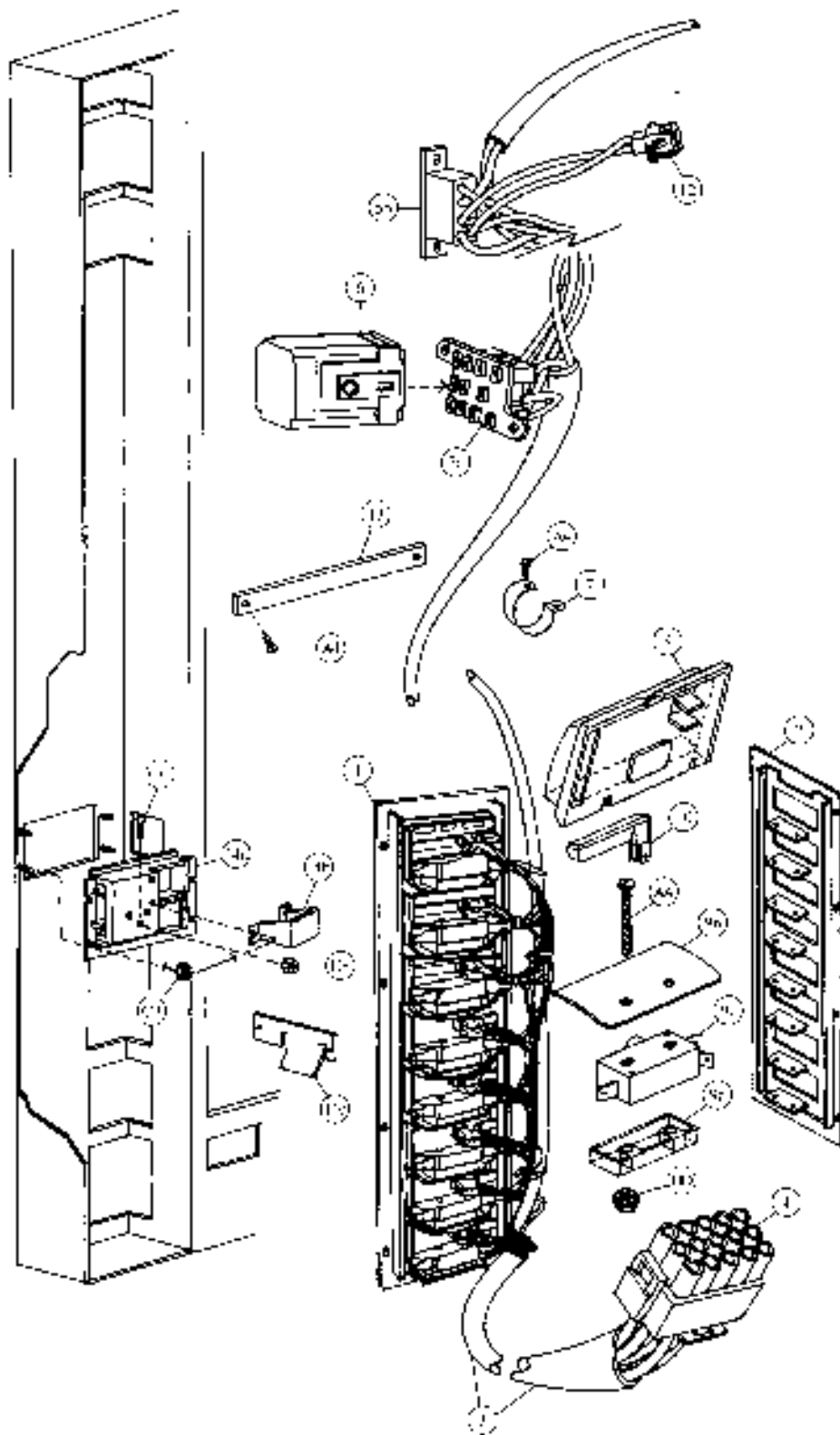
Pull-Out Handle & Coin Insert - Pepsi (Magnum Circular)



Pull-Out Handle & Coin Insert - Pepsi (Magnum Circular)

| Item | Part Number | Part Name And Description | |
|------|--|--|---------|
| 1a | 801.503.040.01 | T Handle Assembly | |
| 1b | Specify key number | Lock with Two Keys | |
| 1c | Specify key number | Key Only | |
| 1d | 801.503.720.01 | Handle Only | |
| 1e | 801.503.050.01 | Spring | |
| 1f | 4255-6-4-W | Stud | |
| 1g | 901.503.090.11 | Cross Pin | |
| 2a | See list below 480.150.600.04 | Coin Insert Assembly with T-Handle Domestic (USA & Canada) | |
| 2b | See list below 480.150.500.03 480.290.500.03 480.750.500.03 480.650.500.03 | Coin Insert Assembly without T-Handle Domestic (USA & Canada) Japan (all others except listed below) Mexico Argentina - Token | |
| 2c | See list below 801.201.180.11 801.201.190.11 801.201.290.21 801.201.350.11 | Coin Insert Domestic (USA & Canada) Japan (all others except listed below) Mexico Argentina - Token | |
| 3a | 506.050.020.12 | Coin Insert Retainer | |
| 3b | 801.805.800.41 | Coin Chute Cover | |
| 4a | 801.805.790.61 | Coin Chute | |
| 4b | 901.700.630.11 | Spring Extension | |
| 7a | 153.050.800.03 | Coin Return Plunger Assembly | |
| 7b | 437.050.570.33 | Plunger Bracket | |
| 7c | 360.050.720.53 | Validator Plate | |
| 7d | 902.001.110.21 | Gasket Validator | (black) |
| 1 | See list below 904.700.130.31 904.700.500.01 904.700.440.01 904.700.450.01 904.700.460.01 904.700.470.01 904.700.480.01 904.700.490.01 | Coinset Change Lamp English "Use Correct Change" English, IEC Standard "Use Correct Change" Spanish "Importe Exacto" French "Faîtes L'Apport" Italian "Usare Monete Corrette" Arabic "تدخلوا نقوداً صحيحة" German "Abgezähltes Geld verwenden" Portuguese "Introduza Quantia Exacta" | |
| 5 | 801.806.080.01 | Drip Chute | |
| | | | |
| | | | |
| | | | |
| | | | |
| | | | |
| | | | |
| | | | |
| | | | |
| | | | |
| | | | |
| | | | |
| | | | |
| | | | |
| 16 | 801.503.010.01 | E Ring | |
| 17 | 801.503.060.01 | Flat Washer | |
| 19 | 801.503.080.01 | Hex Washer | |
| 41 | 900.901.700.01 | Self-Screw #6 - 32 x 3/8 | (4) |
| 43 | 900.800.500.01 | Keys Nut #6 - 32 | (4) |
| 120 | 909.400.350.31 | T-Pin #8 - 7/8 x 3/8 | |

Select Panel - Pepsi (Magnum Circular)

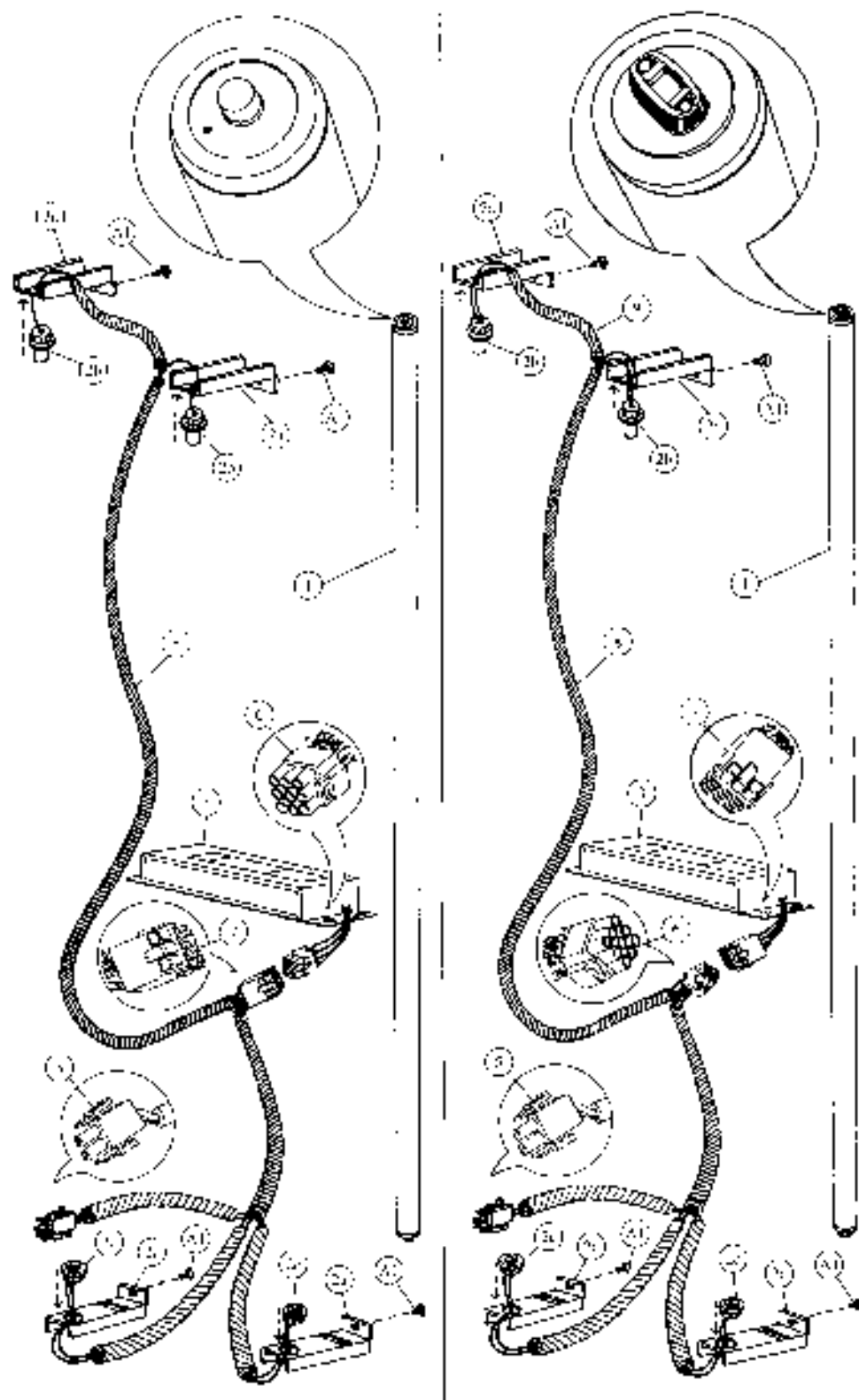


Select Panel - Pepsi (Magnum Circular)

| Item | Part Number | Part Name And Description |
|------|-----------------|--|
| 1 | 480,050,300.03 | Select Panel Assembly (specify harness) |
| 2 | 480,050,200.03 | Select Panel, w/a |
| 3 | See list below | Door Harness (8 select) |
| | 804,903,690.11 | Single Price & Single Price - IEC Standard |
| | 804,904,170.11 | Two Price & Two Price - IEC Standard |
| | 804,904,000.11 | Four Price & Four Price - IEC Standard |
| 4 | 904,600,830.01 | 15-Way Plug |
| 5a | 904,600,620.01 | Socket, Relay |
| 5b | 904,600,600.01 | Socket, Coin Changer |
| 6 | 804,200,170.01 | Vend Relay (single price only) |
| 7 | 901,901,890.01 | 1" Clamp |
| 8 | 801,805,110.21 | Button (small rectangle) |
| 9a | 801,804,540.21 | Button Stop |
| 9b | 801,804,620.11 | Switch Shield & Spring, Mylar |
| 9c | 804,100,510.21 | Select Switch (Lumax A401) |
| 10 | 804,700,210.01 | Sold Out Lamp |
| 11 | Indicate Flavor | Flavor Cards (not shown) |
| 12 | 904,600,700.01 | 2-Way Cap |
| 13 | 453,050,140.03 | Door Strap |
| 14a | 801,805,610.11 | Change Cup & Opener Bezel |
| 14b | 801,805,530.21 | Change Cup |
| 14c | 399,050,270.13 | Opener Housing Reinforcement Plate |
| 15 | 901,000,190.01 | Crown Puller (not shown) |
| 16 | 432,050,400.03 | Crown Catcher (not shown) |
| 17 | 432,050,280.33 | Crown Chute (not shown) |

| | | | |
|----|----------------|-------------------------------|------|
| DD | 900,800,490.01 | Keps Nut #6 - 32 | (12) |
| CC | 900,201,220.11 | Machine Screw #8 - 32 x 3/8 | |
| ES | 900,800,510.01 | Elastic Stop Nut #8 - 32 | |
| A4 | 900,301,500.01 | Screw, Phil Pan #8 - 18 x 1/2 | (2) |
| A9 | 900,301,560.01 | Sems Screw #8 - 32 x 3/8 | (1) |
| D3 | 900,400,430.01 | T-Bolt #8 - 32 x 1 | (1) |
| C3 | 900,800,500.01 | Keps Nut #8 - 32 | (14) |
| AA | 900,201,310.01 | Screw #6 - 32 x 1/4 | (20) |

Lighting - Pepsi (Magnum Circular)



Slimline

High-Output

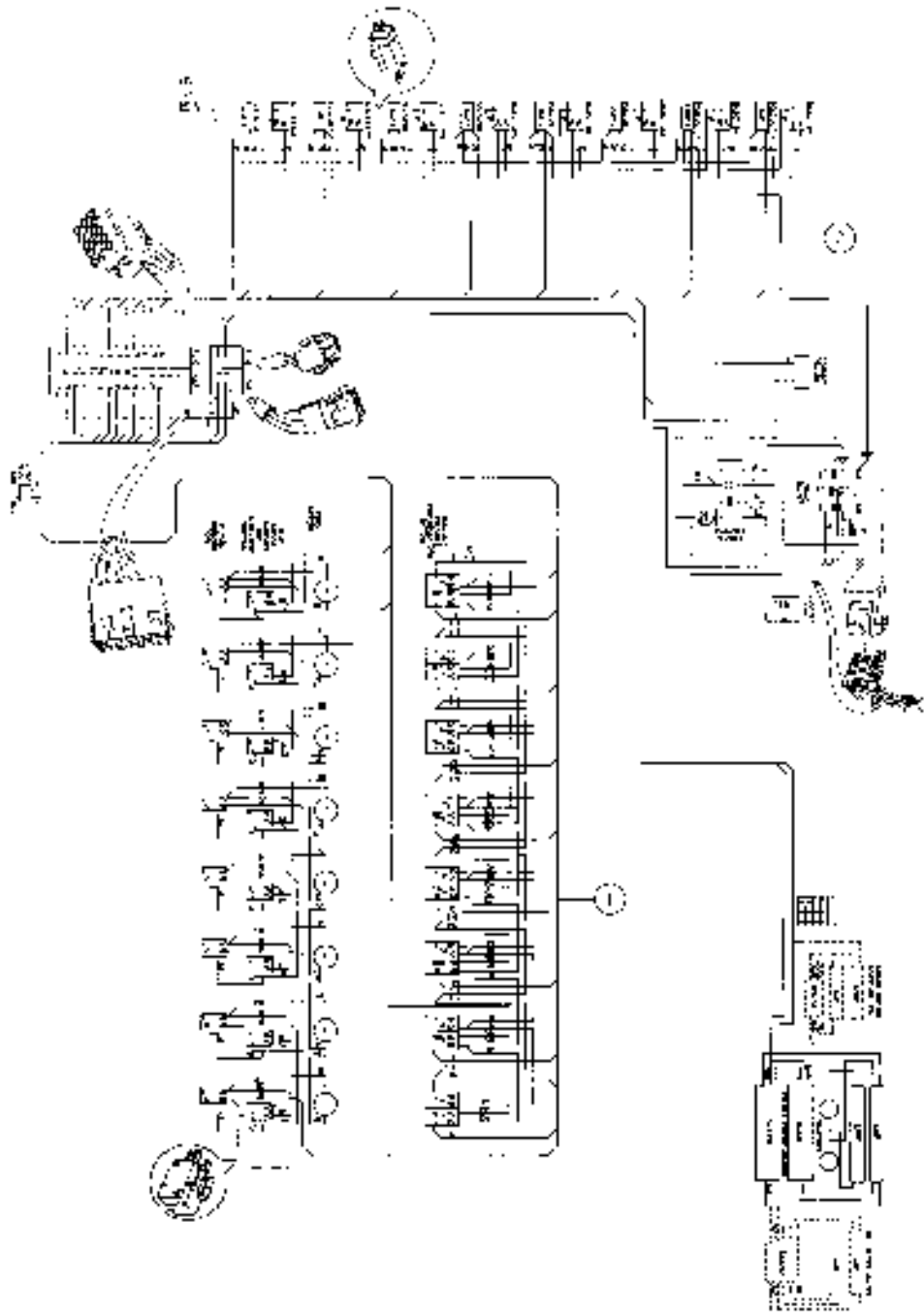
Lighting - Pepsi (Magnum Circular)

| Item | Part Number | Part Name And Description |
|----------------------|----------------|---|
| High Output Lighting | | |
| 1 | 804,700,370.01 | Fluorescent Bulb - F64T12/D/HO |
| 2a | 432,050,380.63 | Door Bracket Lamp Socket |
| 2b | 804,901,990.01 | Top Lamp Holders - 523 |
| 2c | 804,902,000.01 | Bottom Lamp Holders - 524 |
| 3 | 804,400,380.01 | Plug-In Ballast, Advance #VSM/HO |
| 4 | 904,800,520.01 | Connector, Electrical (scotchlock 557)(not shown) |
| 5 | 904,600,710.01 | 2-Way Plug |
| 6 | 904,600,670.01 | 9-Way Plug |
| 7 | 904,600,660.01 | 9-Way Cap |
| 8 | 804,904,510.21 | Plug-In Ballast Harness, High Output |
| 9 | 804,904,920.21 | Lamp Fixture Jumper, High Output |
| | | |
| | | |
| | | |
| | | |

| Slimline Lighting | | |
|-------------------|----------------|---|
| 1 | 804,700,300.01 | Fluorescent Bulb - F64T12/DAYLT |
| 2a | 432,050,380.63 | Door Bracket Lamp Socket |
| 2b | 804,902,020.01 | Top Lamp Holders - 516 |
| 2c | 804,902,030.01 | Bottom Lamp Holders - 517 |
| 3 | 804,400,370.11 | Plug-In Ballast, Slimline |
| 4 | 904,800,520.01 | Connector, Electrical (scotchlock 557)(not shown) |
| 5 | 904,600,710.01 | 2-Way Plug |
| 6 | 904,600,670.01 | 9-Way Plug |
| 7 | 904,600,660.01 | 9-Way Cap |
| 8 | 804,904,600.51 | Plug-In Ballast Harness, Slimline |
| | | |
| | | |
| | | |
| | | |

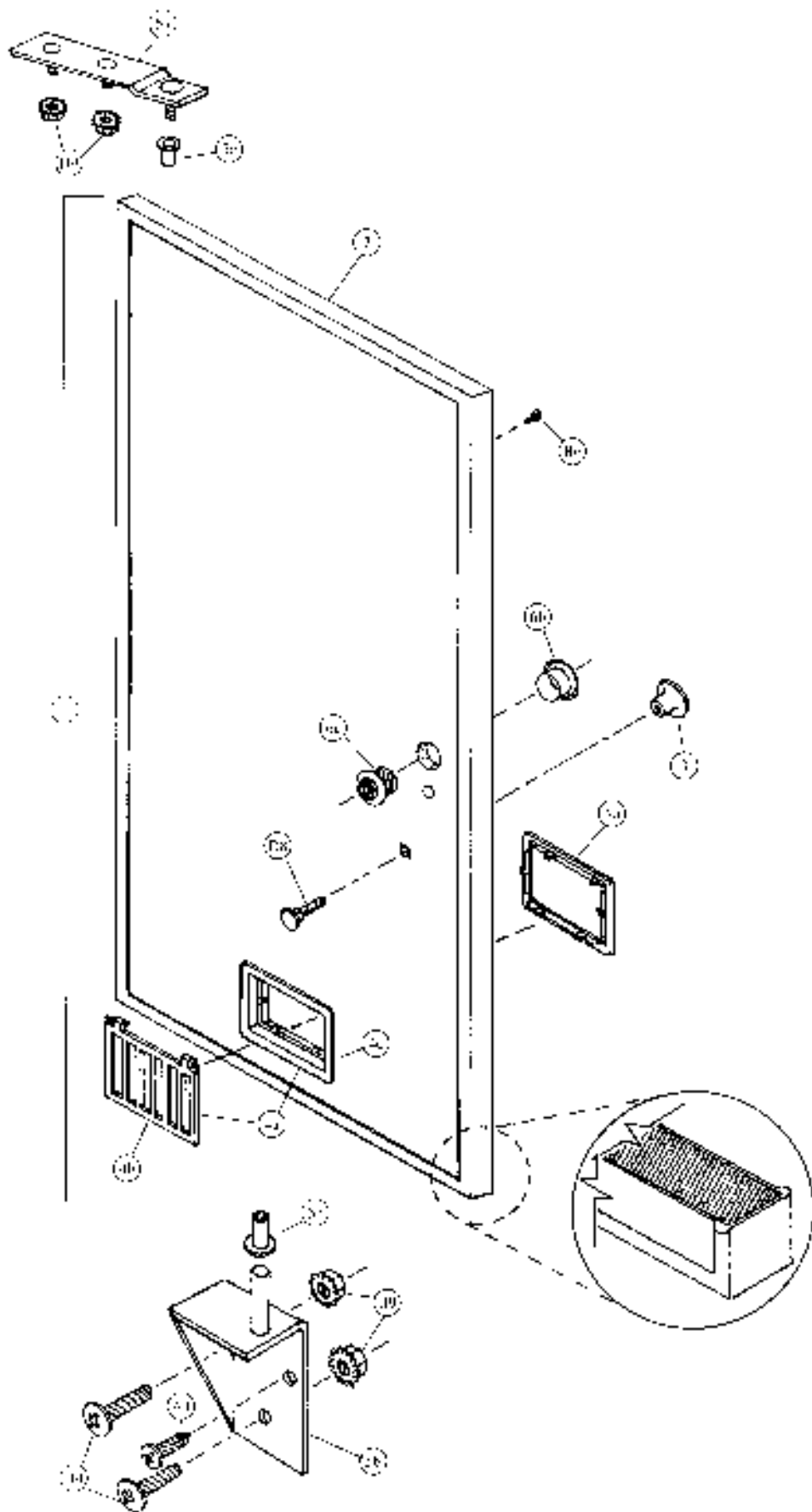
| | | | |
|----|----------------|---------------------------------|-----|
| A1 | 900,301,700.01 | Sheet Metal Screw #6 - 32 x 1/2 | (4) |
|----|----------------|---------------------------------|-----|

Wiring Harness - Pepsi (Magnum Circular)



Sample Diagram
8 Column Dual Adaptable, Single Price

Inner Door - Pepsi (Magnum Circular)

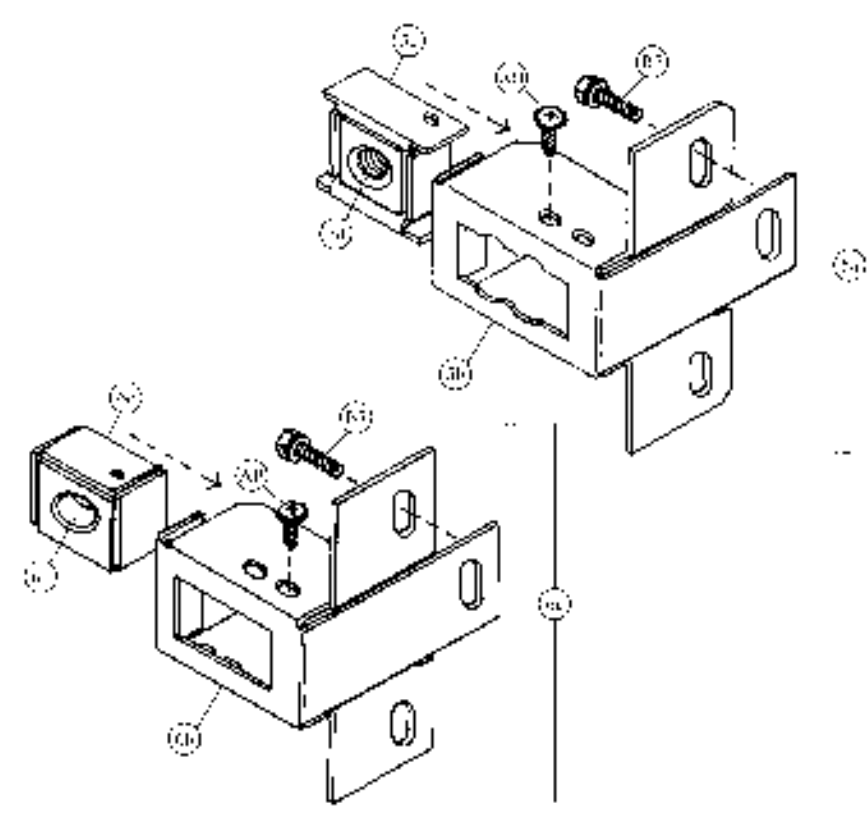
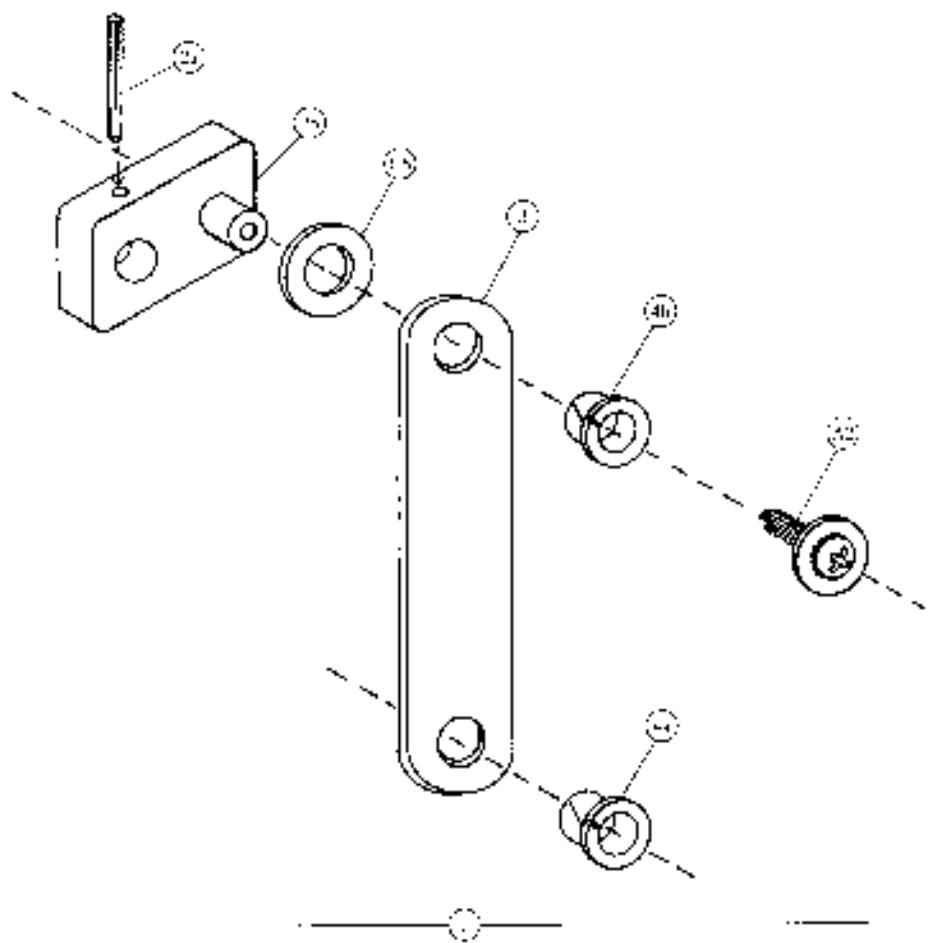


Inner Door - Pepsi (Magnum Circular)

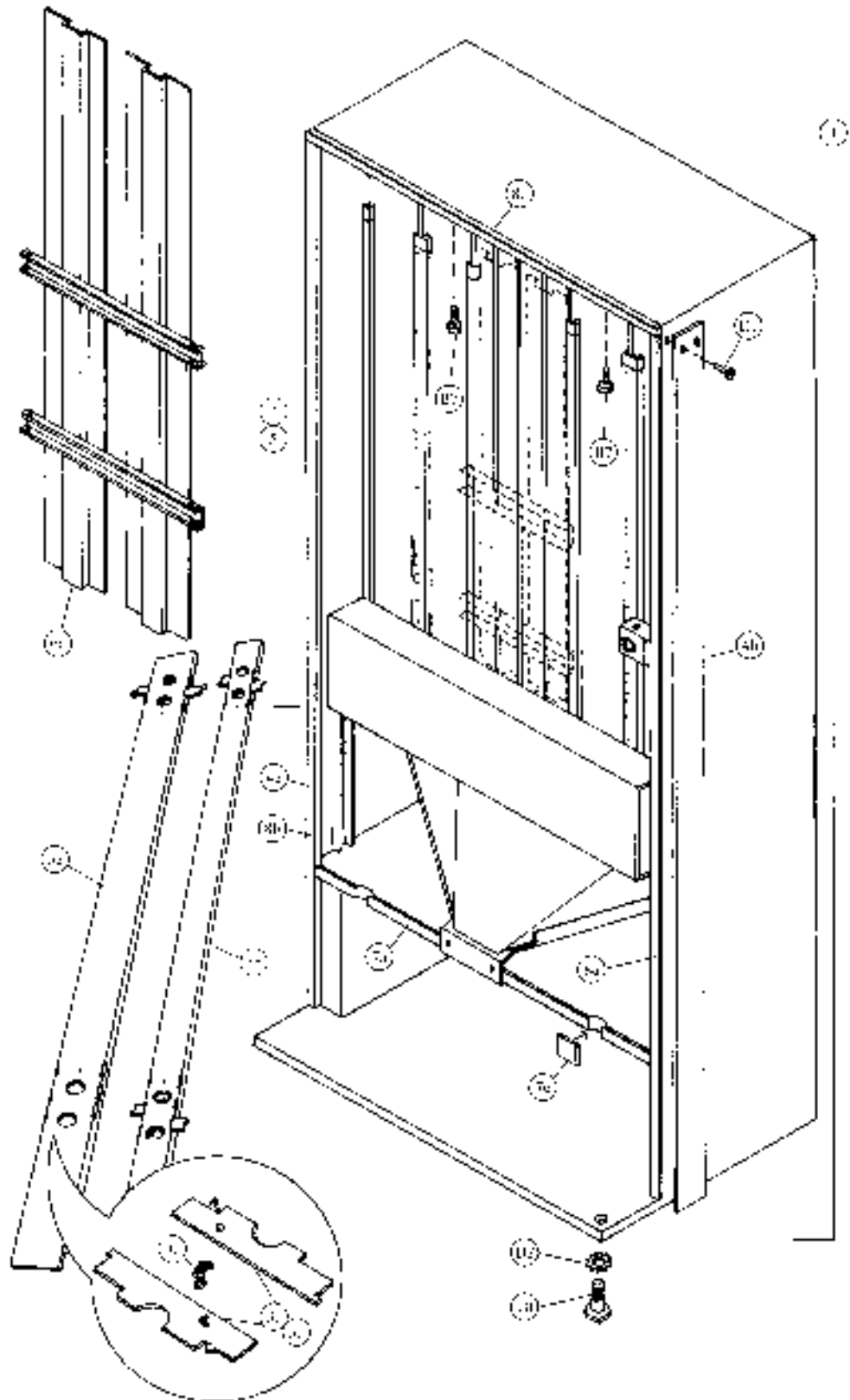
| Item | Part Number | Part Name And Description |
|------|----------------|---|
| 1 | 470,150,200.03 | Inner Door Assembly |
| 2 | 801,804,060.01 | Inner Door Gasket |
| 3 | 901,501,700.01 | Knob |
| 4a | 801,806,920.01 | Discharge Frame Assembly (includes 4b & 4c) |
| 4b | 801,806,600.01 | Delivery Door |
| 4c | 801,806,550.01 | Discharge Frame |
| 4d | 801,806,560.01 | Retainer Frame Inner Door |
| 5a | 169,053,001.13 | Inner Door Top Hinge, w/a |
| 5b | 169,051,101.63 | Inner Door Bottom Hinge, w/a |
| 5c | 901,803,710.01 | Plastic Bearing |
| 6a | 801,806,420.51 | Bushing - Inner Door |
| 6b | 801,806,430.31 | Bushing Retainer - Inner Door |
| 7 | 804,902,610.01 | 4" Ground Wire (102mat) (not shown) |

| | | |
|----|----------------|--|
| D8 | 900,201,230.11 | Carriage Bolt 1/4 - 20 x 1 1/4 |
| B6 | 900,301,650.01 | Screw, Phil Pan #8 - 18 x 1/2 (with washer) (53) |
| A4 | 900,301,500.01 | Screw, Phil Pan #8 - 18 x 1/2 (without washer) |
| B9 | 900,800,650.01 | Keps Nut #10 - 32 (4) |
| R1 | 900,201,140.01 | Screw, Machine Truss #10 - 32 x 1/2 (2) |

Two-Bar Linkage & Nut Retainer Housing - Pepsi (Magnum Cir.)



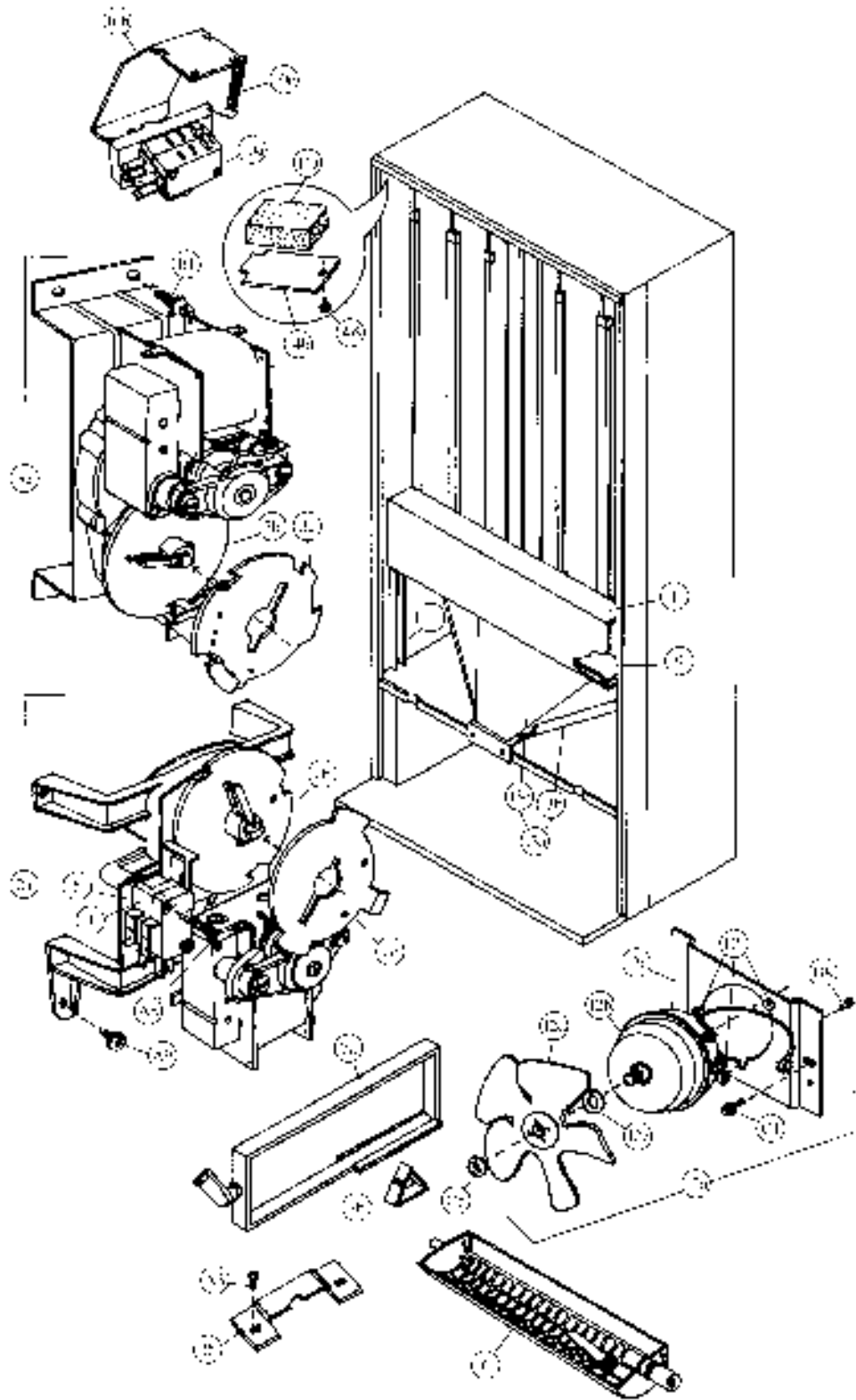
Cabinet Interior - Pepsi (Magnum Circular)



Cabinet Interior - Pepsi (Magnum Circular)

| Item | P&I Number | Part Name And Description |
|------|----------------|---|
| 1 | 492,000,700.03 | Front Cabinet Assembly |
| 2a | See list below | Stack Assembly (specify names) |
| | 492,070,000.03 | Single Price |
| | 492,170,000.03 | Two/Four Price |
| 3a | 492,070,200.03 | Rear Spacer Assembly, Wide Column |
| 4a | 492,070,900.03 | Rear Spacer Assembly, Narrow Column |
| 5a | 267,010,080.53 | Latch Finger, Long |
| 5b | 267,070,210.43 | Latch Finger, Short |
| 5c | 901,700,690.01 | Rear Spacer Spring |
| 6a | 165,000,031.33 | Protective Plate, JS Cabinet (not shown) |
| 6b | 165,000,041.63 | Protective Plate, RS Cabinet |
| 7 | 492,070,300.03 | Stack Sub Assembly |
| 8a | 492,070,400.03 | Gate, w/h |
| 8b | 491,071,000.03 | Gate Hinge (not shown) |
| 8c | 251,070,280.73 | Gate Latch (not shown) |
| 9a | 801,800,230.11 | Mullion |
| 9b | 801,303,830.01 | McLion Cover, Metal (not shown) |
| 9c | not applicable | McLion Cover, Plastic (obsolete) |
| 9d | 492,020,040.03 | Breaker Strip, Right |
| 9e | 492,020,050.03 | Breaker Strip, Left |
| 9f | 491,070,170.07 | Breaker Strip, Top |
| 10a | 480,050,100.13 | Ballast Plate Assembly (not shown) |
| | 491,020,900.13 | Ballast Plate Assembly - IEC Standard (not shown) |
| 10b | 432,020,070.23 | Ballast Plate (not shown) |
| | 492,050,140.03 | Ballast Plate - IEC Standard (not shown) |
| 11 | 900,202,490.11 | Leveling Leg, 3/4" (1) |
| 12 | 191,070,020.13 | Mounting Bracket, Rear (not shown) |
| 13 | 437,010,020.15 | Rodent Guard, White (not shown) |
| | 474,011,300.13 | Rodent Guard, White - IEC Standard (not shown) |
| 14 | 805,400,360.01 | Transformer, Hyster Isolation (not shown) |
| 15 | 904,000,170.11 | Transformer, Jumper (not shown) |
| 16a | 901,800,280.01 | Heyco Wire Clip #3699 (not shown) |
| 16b | 900,901,590.01 | Cable Clamp, Green (not shown) |
| | | |
| | | |
| | | |
| | | |
| | | |
| | | |
| | | |
| | | |
| | | |
| 107 | 900,900,010.01 | Self-Tapping Screw 3/8 - 20 x 3/8 |
| E1a | 901,100,130.01 | Peg Rivet, 3/8" (10) |
| B5 | 900,701,730.21 | Self-Tapping Screw 1/2 - 20 x 1" (4) |
| F11 | 901,100,440.01 | Drive Rivet, 3/8" (10) |
| D2 | 900,700,800.0 | Lock Washer, 3/8" |
| F12 | 901,100,520.01 | Peg Rivet, 3/8" |

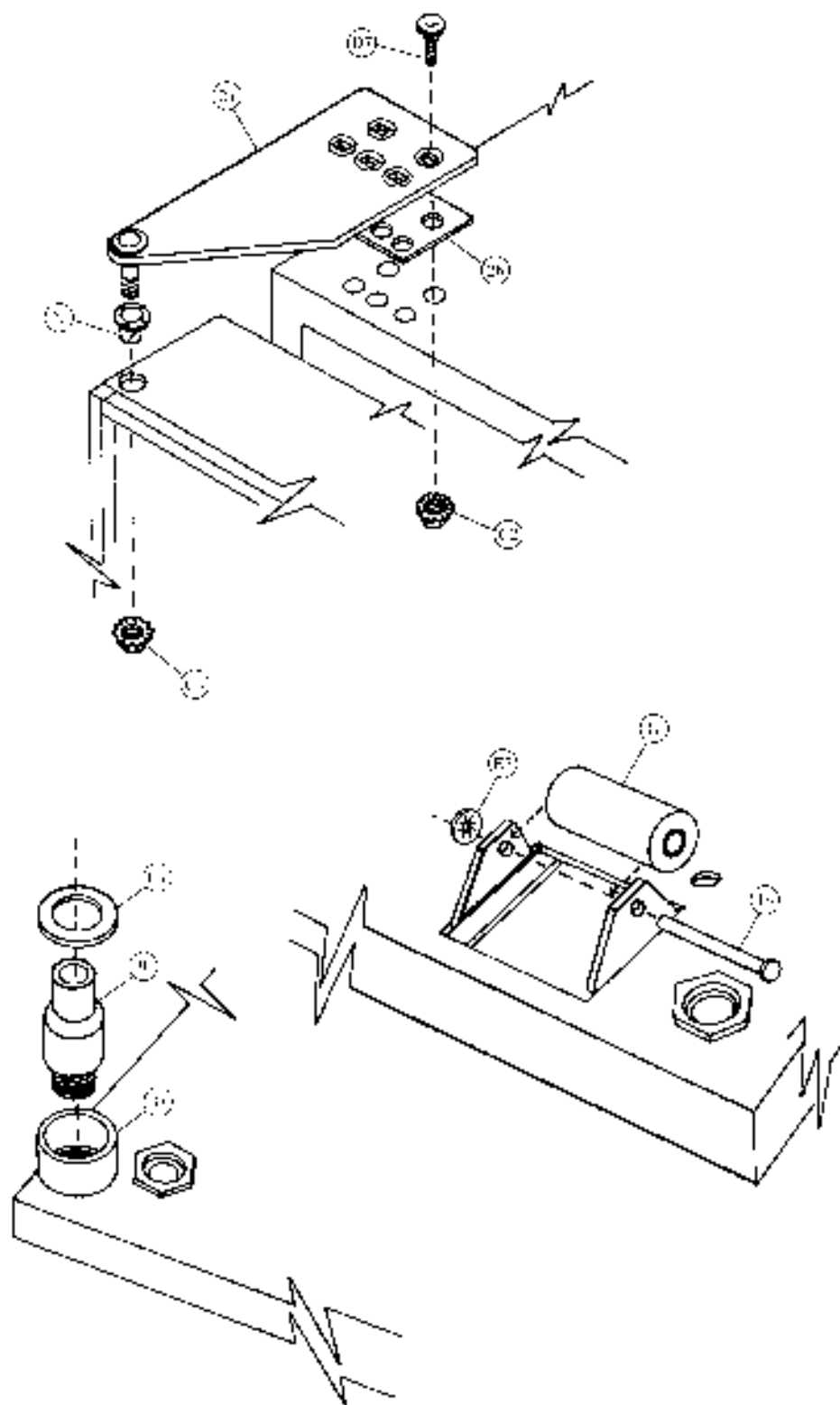
Cabinet & Vend Mechanism - Pepsi (Magnum Circular)



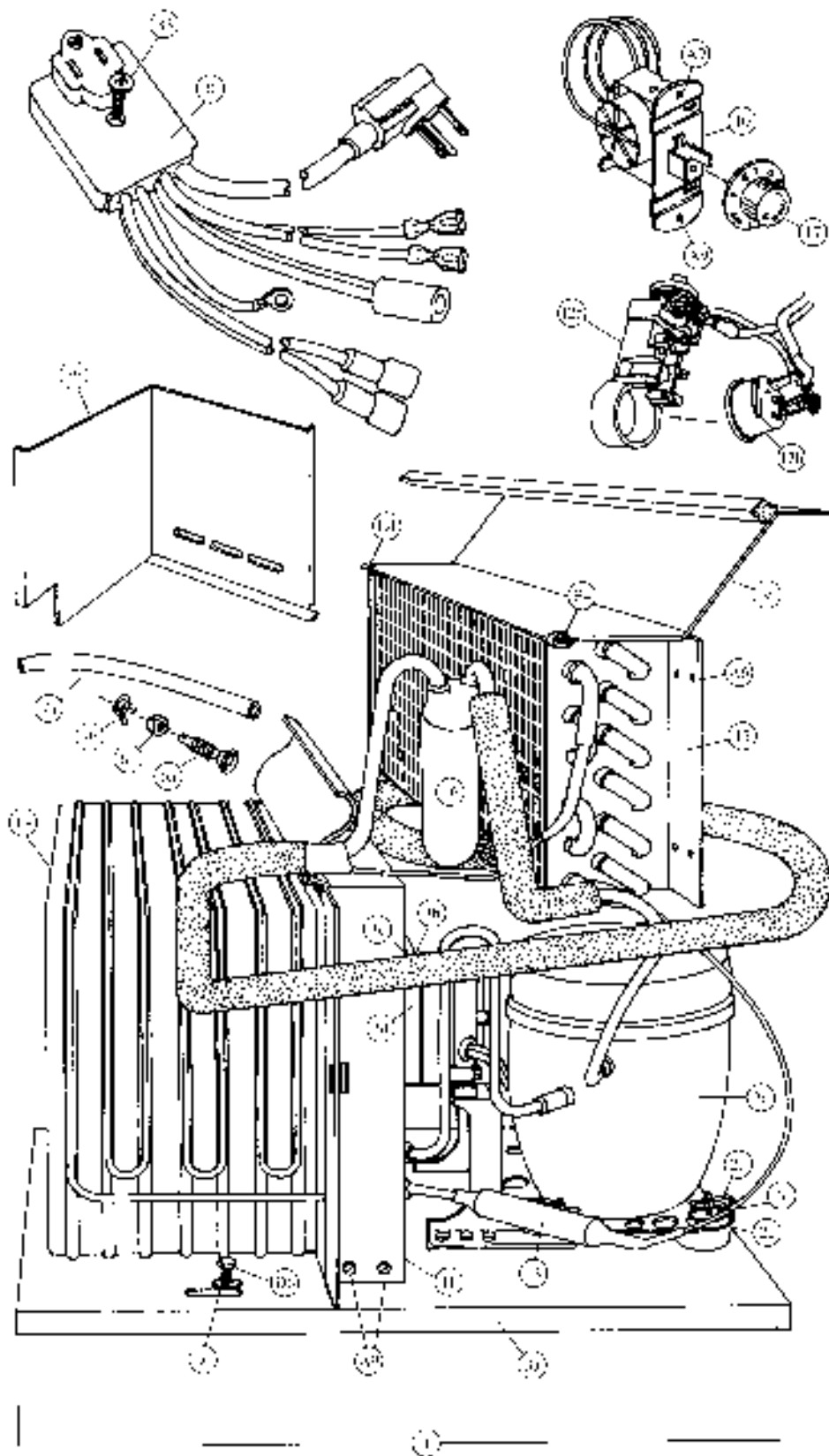
Cabinet & Vend Mechanism - Pepsi (Magnum Circular)

| Item | Part Number | Part Name and Description | |
|------|----------------|--|----------------------|
| 1 | 491,070,100.03 | Vend Motor Cover, Wide | |
| | 491,071,200.23 | Vend Motor Cover, Wide - IEC Standard | |
| 2a | See list below | Vend Motor Assembly, Wide | |
| | 491,070,300.03 | Single Price | |
| | 491,170,100.03 | Two/Three Price | |
| 2b | 802,806,900.21 | Vend Cam, Blue | |
| 2c | 801,806,400.11 | Adjustable Cam, Gold | |
| 3 | See list below | Vend Motor Assembly, Narrow | |
| | 491,070,400.03 | Single Price | |
| | 491,170,200.03 | Two/Three Price | |
| 4a | 801,806,100.21 | Vend Cam, Brown | |
| 4c | 801,806,610.21 | Adjustable Cam, Brown | |
| 5 | See list below | Vend Motor Switch | |
| | 804,100,600.01 | Single Price - (Double Switch) | |
| | 804,100,600.01 | Single Price - IEC Standard - (Double Switch) | |
| | 805,100,700.01 | Two/Three Price - IEC Standard - (Triple Switch) | |
| 5 | 905,800,230.11 | Vend Motor Switch Insulator | |
| 6 | 801,201,211.61 | Vend Rotor - Narrow Column | |
| 6c | 801,201,010.41 | Vend Oscillator - Wide Column | |
| 7b | 901,200,650.21 | Cam Retainer Oscillator | |
| 8a | 801,503,170.01 | Nyloner, Rear | (not shown) |
| 8b | 901,804,230.01 | Nyloner, Front - Wide Column only | (not shown) |
| 9 | 267,000,370.13 | Wire Shield | |
| 10a | 804,100,610.01 | Sold Out Switch Assembly | |
| | 805,100,680.01 | Sold Out Switch Assembly - IEC Standard | |
| 10b | 432,070,190.13 | Sold Out Paddle | |
| 10c | 901,200,740.01 | Sold Out Paddle Spring | |
| 11 | 491,020,070.13 | Mechanism Support | |
| 2a | See list below | Evaporator Fan Motor Assembly | |
| | 491,000,200.03 | 115v | |
| | 491,140,400.03 | 220 - 240v | |
| 12b | See list below | Evaporator Fan Motor | |
| | 805,500,500.01 | 115v | |
| | 805,500,520.01 | 220 - 240v | |
| 12c | 164,040,040.73 | Evaporator Fan Motor Bracket | |
| 13a | 801,403,270.11 | Evaporator Fan Blade | |
| 13c | 802,100,280.01 | Silencer | |
| 14 | 480,070,100.01 | Can Chute Assembly | (includes 15b & 15c) |
| 15a | 211,170,010.43 | Can Chute | |
| 15c | 211,070,020.13 | Chute Liner | (Nydex) |
| 11 | 903,300,770.01 | Foam Block | |
| 14b | 169,000,130.83 | Hinge Bracket Cover | |
| 15 | 76,072,110.13 | Journal | |
| | | | |
| | | | |
| C | 900,901,510.02 | Screw, Phil Pan Tapping | |
| A3 | 800,401,830.01 | Socket Screw #10 - 32 x 3/8 | (8) |
| A6 | 800,600,270.02 | Sheet Metal Screw, Type "A" | |
| B8 | 900,301,290.01 | Hex. Tap Screw #8 - 32 x 1/2 | (7) |
| AS | 900,301,820.01 | Vend Motor Screw #4 x 1/8 - Double Switch | (16) |
| | 900,301,610.01 | Vend Motor Screw #4 x 1/8 - Triple Switch | |
| A9 | 900,301,560.01 | Stems Screw #8 - 32 x 1/2 | (28) |
| E5 | 900,401,090.01 | Grommet, Black Rubber #97 | (3) |
| C5 | 900,800,850.01 | Speed Nut | |
| B1 | 900,301,850.01 | Stem Screw #8 - 32 x 1/2 | |

Hinges and Rollers - Pepsi (Magnum Circular)



Refrigeration - Pepsi (Magnum Circular)



Refrigeration - Pepsi (Magnum Circular)

| Item | Part Number | Part Name And Description | |
|------|----------------------------|--|-----|
| 1 | Provide information listed | Complete Refrigeration System. Indicate unit model number from serial plate on unit base plate, refrigerant, voltage/hertz and country. | |
| 2a | Provide information listed | Compressor 1/1HP. Indicate compressor manufacturer, voltage/hertz, refrigerant and complete manufacturer's model number. | |
| 2b | See list below | Compressor Lead Harness (not shown) | |
| | 904,900,811.01 | All, except IBC Standard | |
| | 804,905,420.01 | 220 240v/50hz, IBC Standard | |
| 2c | 902,000,570.01 | Compressor Mounting Grommet | |
| 2d | 900,901,880.01 | Compressor Mounting Retainer Clip | |
| 2e | 901,800,910.01 | Compressor Grommet Plug, Plastic | |
| 3a | 491,040,040.43 | Condenser Base Plate | |
| 4 | See list below | Condenser Fan Motor Assembly | |
| | 491,040,200.03 | 115v | |
| | 491,110,300.03 | 220 240v | |
| 4a | See list below | Condenser Fan Motor | |
| | 904,501,670.01 | 115v | |
| | 804,500,700.01 | 220-240v | |
| 5d | 800,103,570.02 | Fan Blade (not shown) | |
| 4e | 491,000,100.23 | Drain Pan Assembly (not shown) | |
| 4h | 801,804,240.51 | Drain Pan, Plastic (not shown) | |
| 4i | 905,800,690.01 | Soaker, Fiberglass (14) (not shown) | |
| 5a | 491,040,050.53 | Condenser Baffle, Right Side (not shown) | |
| 5b | 491,040,060.63 | Condenser Baffle, Rear | |
| 6a | 801,306,050.11 | Drain Tube | |
| 6b | 902,401,190.01 | Drain Tube Nut | |
| 7a | 901,900,500.01 | Drain Hose | |
| 7b | 902,901,030.01 | Drain Hose Clamp | |
| 8 | See listing below | Main Wiring Harness | |
| | 804,902,720.01 (a) | United States (shown) | |
| | 804,903,480.01 (a) | Australia, IEC 335 | |
| | 804,905,490.01 (a) | United Kingdom, IBC 335 | |
| | 804,902,160.21 (a) | Europe | |
| | 804,903,160.01 (a) | Mexico | |
| | 804,905,450.01 (b) | Italy | |
| | 804,905,470.01 (g) | Danish, IEC 335 | |
| | 804,905,360.01 (s) | Germany, with Splashwater Protector | |
| 9 | 211,040,030.13 | Top Fan Housing | |
| 10 | 802,800,410.01 | Temperature Control | |
| 11 | 491,010,110.33 | Fan Shroud Condenser | |
| 12a | Provide information listed | Relay: Indicate compressor manufacturer, model # and voltage/hz | |
| 12b | Provide information listed | Overhaul: Indicate compressor manufacturer, model # and voltage/hz | |
| 13 | 807,401,040.01 | Dryer | |
| 14 | 802,600,550.01 | Condenser | |
| 15 | 802,600,370.51 | Evaporator | |
| 16 | 802,400,400.01 | Accumulator | |
| 17 | 802,800,430.01 | Knob, Temperature Control | |
| AG | 900,600,230.02 | Sheet Metal Screw, Type "A" (not shown) | (2) |
| AG | 900,301,560.01 | Self Screw #8 - 32 x 3/4 | (8) |
| HA | 900,301,810.01 | Screw, #10 - 32 x 1/4 | |
| HA | 900,700,360.01 | Lockwasher, 3/8" | (2) |
| HA | 900,901,800.01 | Tightenup Clip | (2) |
| HA | 900,400,440.01 | Refrigeration Bolt 1/8 - 16 x 1 | (2) |

When ordering parts indicate Model # And Serial # Of Vendor.
All Parts Numbers And Prices Are Subject To Change Without Notice.

Signs and Decals - Pepsi (Magnum Circular)



①



②



③

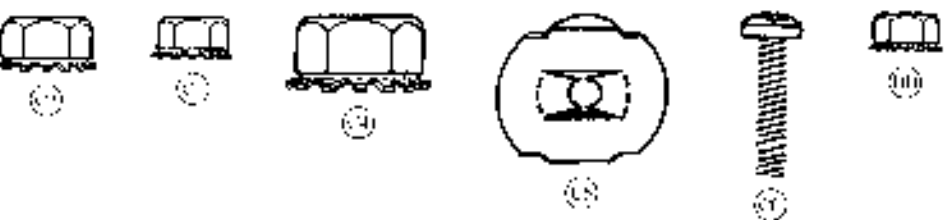
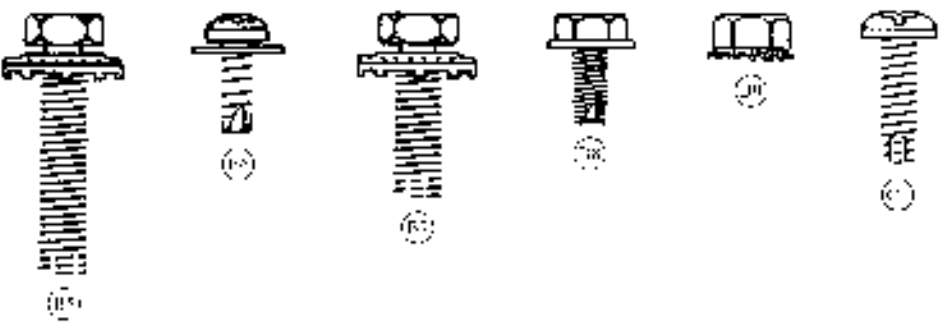
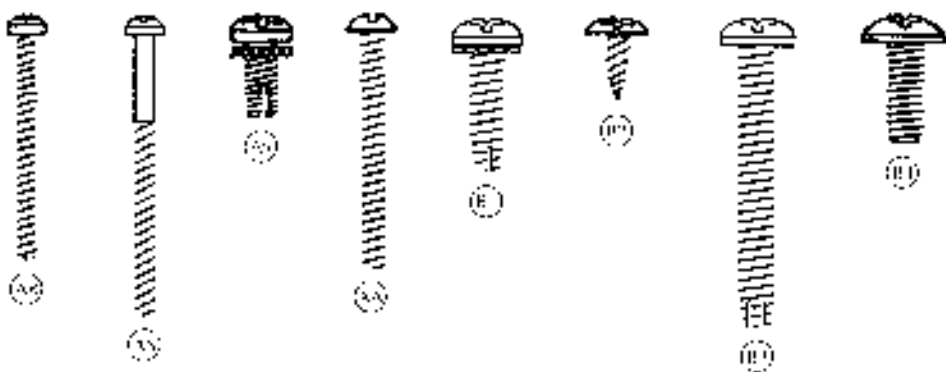


④

Signs & Decals - Pepsi (Magnum Circular)

| Item | Part Number | Part Name And Description |
|------|----------------|---|
| 1 | See list below | Pepsi Cola Signs |
| | 805,009,770.01 | Pepsi Can On Ice Sign (1992 graphics) (shown) |
| | 805,006,180.41 | Pepsi Sign (Target graphics) |
| | 805,007,250.01 | Pepsi Sign, Solar Grade |
| | 805,007,260.01 | Pepsi Sign, Solar Grade |
| | 805,008,150.01 | Pepsi Can On Ice Sign (1991 graphics) |
| | 805,009,370.01 | Pepsi Can On Ice Sign, Solar Grade |
| 2 | See list below | Diet Pepsi Cola Signs |
| | 805,009,880.01 | Diet Pepsi Can On Ice Sign (1992 graphics) |
| | 805,008,420.01 | Diet Pepsi Can On Ice Sign (1991 graphics) |
| | 805,006,330.01 | Diet Pepsi Sign, Solar Grade (1991 Target graphics) (shown) |
| | 805,008,680.01 | Diet Pepsi Can On Ice Sign |
| 3 | See list below | Pepsi Cola Side Decals |
| | 803,830,570.01 | Pepsi Side Decal (1992 graphics) (shown) |
| | 803,818,860.11 | Pepsi Side Decal (1991 Target graphics) |
| | 803,830,570.01 | Pepsi Side Decal |
| | 803,832,780.01 | Pepsi Side Decal, Hebrew - Israel |
| 4 | See list below | Diet Pepsi Cola Side Decals |
| | 803,824,580.01 | Diet Pepsi Side Decal (1991 Target graphics) (shown) |
| | 803,830,640.01 | Diet Pepsi Side Decal (1992 graphics) |
| | | |
| | | |
| | | |
| | | |
| | | |
| | | |
| | | |
| | | |
| | | |
| | | |
| | | |
| | | |
| | | |
| | | |

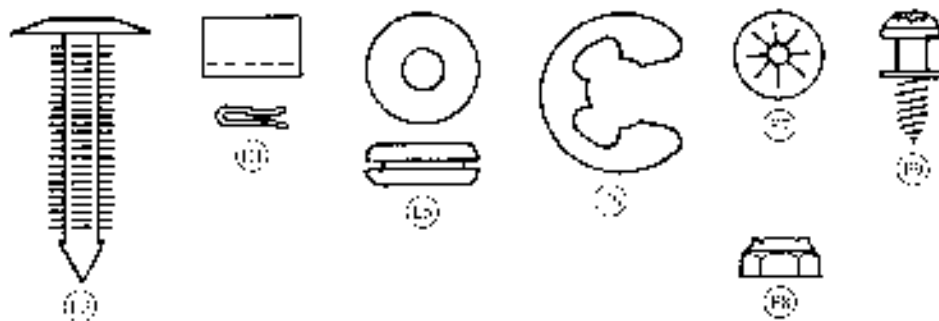
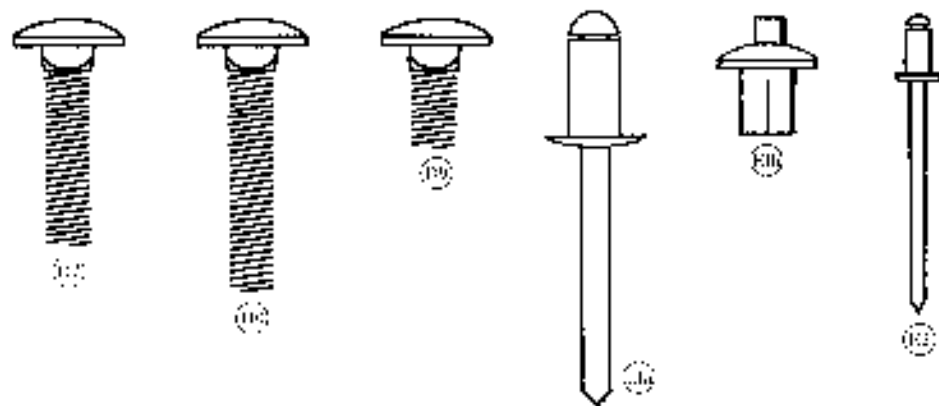
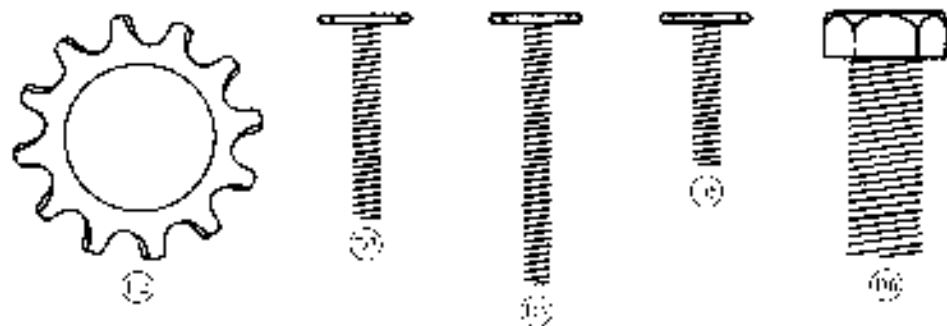
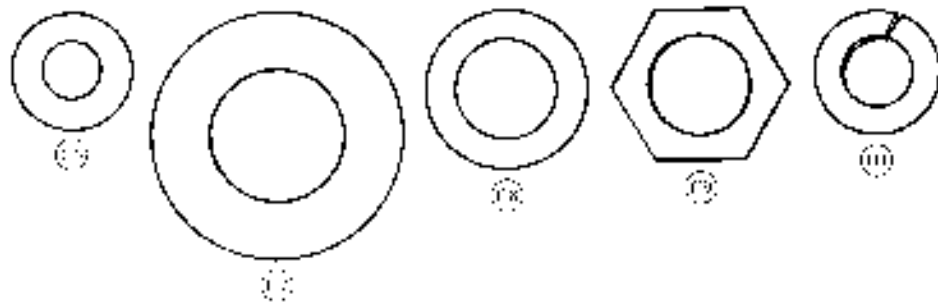
Screws & Nuts - Pepsi (Magnum Circular)



Screws & Nuts - Pepsi (Magnum Circular)

| Item | Part Number | Part Name And Description |
|------|----------------|--|
| A1 | 900,301,700.01 | Sems Screw #6 - 32 x $\frac{3}{8}$ |
| A2 | 900,301,640.01 | Sems Screw #8 - 32 x $\frac{1}{2}$ |
| A3 | 900,301,830.01 | Screw, Phil Pan #10 - 32 x $\frac{3}{8}$ |
| A4 | 900,301,500.01 | Screw, Phil Pan (without washer) #8 - 18 x $\frac{1}{2}$ |
| A5 | 900,301,970.01 | Screw, Phil Pan #8 - 32 x $\frac{1}{2}$ |
| A6 | 900,600,230.02 | Sheet Metal Screw, Type "A" |
| A7 | 900,300,470.01 | Screw, Phil Pan #4 x $\frac{3}{4}$ |
| A8 | 900,301,820.01 | Vend Motor Screw #4 x 1 $\frac{1}{8}$ |
| | 900,301,610.01 | Vend Motor Screw #4 x 1 $\frac{1}{2}$ |
| A9 | 900,301,560.01 | Sems Screw #8 - 32 x $\frac{3}{8}$ |
| AA | 900,201,310.01 | Machine Screw #6 - 32 x 1 $\frac{1}{4}$ |
| AB | 900,301,960.01 | Sems Screw #8 - 32 x $\frac{1}{4}$ (not shown) |
| B1 | 900,301,850.01 | Sems Screw #8 - 32 x $\frac{3}{8}$ |
| B2 | 900,300,160.01 | Sems Screw #6 x $\frac{3}{8}$ |
| B3 | 900,301,810.01 | Screw #10 - 32 x 1 $\frac{1}{2}$ |
| B4 | 900,201,140.01 | Screw, Machine Truss #10 - 32 x $\frac{1}{2}$ |
| B5 | 900,301,730.21 | Self-Tapping Screw #4 - 20 x 1 |
| B6 | 900,301,650.01 | Screw, Phil Pan (with washer) #8 - 18 x $\frac{1}{2}$ |
| B7 | 900,302,010.01 | Self-Tapping Screw #4 - 20 x $\frac{3}{8}$ |
| B8 | 900,301,690.01 | Screw, Hex Tap #8 - 32 x $\frac{3}{8}$ |
| B9 | 900,800,650.01 | Keps Nut #10 - 32 |
| C1 | 900,901,510.02 | Screw, Phil Pan Tapping |
| C2 | 900,800,670.01 | Keps Nut #4 - 20 |
| C3 | 900,800,500.01 | Keps Nut #8 - 32 |
| C4 | 900,800,690.01 | Keps Nut (Top Drum Hinge) #4 - 16 |
| C5 | 900,800,850.01 | Speed Nut |
| C6 | 900,201,220.11 | Machine Screw #8 - 32 x $\frac{1}{2}$ |
| D1 | 900,800,490.01 | Keps Nut #6 - 32 |
| | | |
| | | |
| | | |
| | | |
| | | |
| | | |
| | | |
| | | |
| | | |
| | | |
| | | |
| | | |
| | | |
| | | |

Washers, Bolts & Misc. - Pepsi (Magnum Circular)



Washers, Bolts & Misc. - Pepsi (Magnum Circular)

| Item | Part Number | Part Name And Description |
|------|----------------|---|
| C6 | 900,700,600.01 | Washer, Flat |
| C7 | 901,303,770.01 | Washer, Hinge |
| C8 | 901,503,060.01 | Washer, Flat (T-Handle) |
| C9 | 901,503,080.01 | Washer, Hex (T-Handle) |
| D1 | 900,700,360.01 | Lockwasher, 3/8" |
| D2 | 900,700,890.01 | Lockwasher, 3/8" |
| | | |
| D3 | 900,400,430.01 | T Bolt #8 - 32 x 1 |
| D4 | 900,400,410.01 | T Bolt #8 - 32 x 1 3/4 |
| D5 | 900,400,350.31 | T-Bolt # 8 - 32 x 3/4 |
| D6 | 900,400,440.01 | Refrigeration Bolt 3/4 - 16 x 1 |
| D7 | 900,201,170.01 | Carriage Bolt 3/4 - 20 x 1 |
| D8 | 900,201,230.11 | Carriage Bolt 3/4 - 20 x 1 1/4 |
| D9 | 900,201,450.01 | Carriage Bolt 3/4 - 20 x 1 1/2 |
| | | |
| E1a | 901,100,430.01 | Pop Rivet 3/4" |
| E1b | 901,100,440.01 | Drive Rivet 3/4" |
| E2 | 901,100,520.01 | Pop Rivet 1/2" |
| | | |
| E3 | 900,902,130.01 | Christmas Tree Clip |
| E4 | 900,901,890.01 | Timmerman Clip |
| | | |
| E5 | 900,401,090.01 | Grommet, Black Rubber #97 |
| E6 | 901,503,070.01 | E Ring |
| E7 | 900,900,900.01 | Retainer |
| E8 | 900,800,510.01 | Elastic Stop Nut #8 - 32 |
| E9 | 900,301,980.01 | Phil Pan Shoulder Screw #8 - 18 x 1 1/2 |
| | | |
| | | |
| | | |
| | | |
| | | |
| | | |