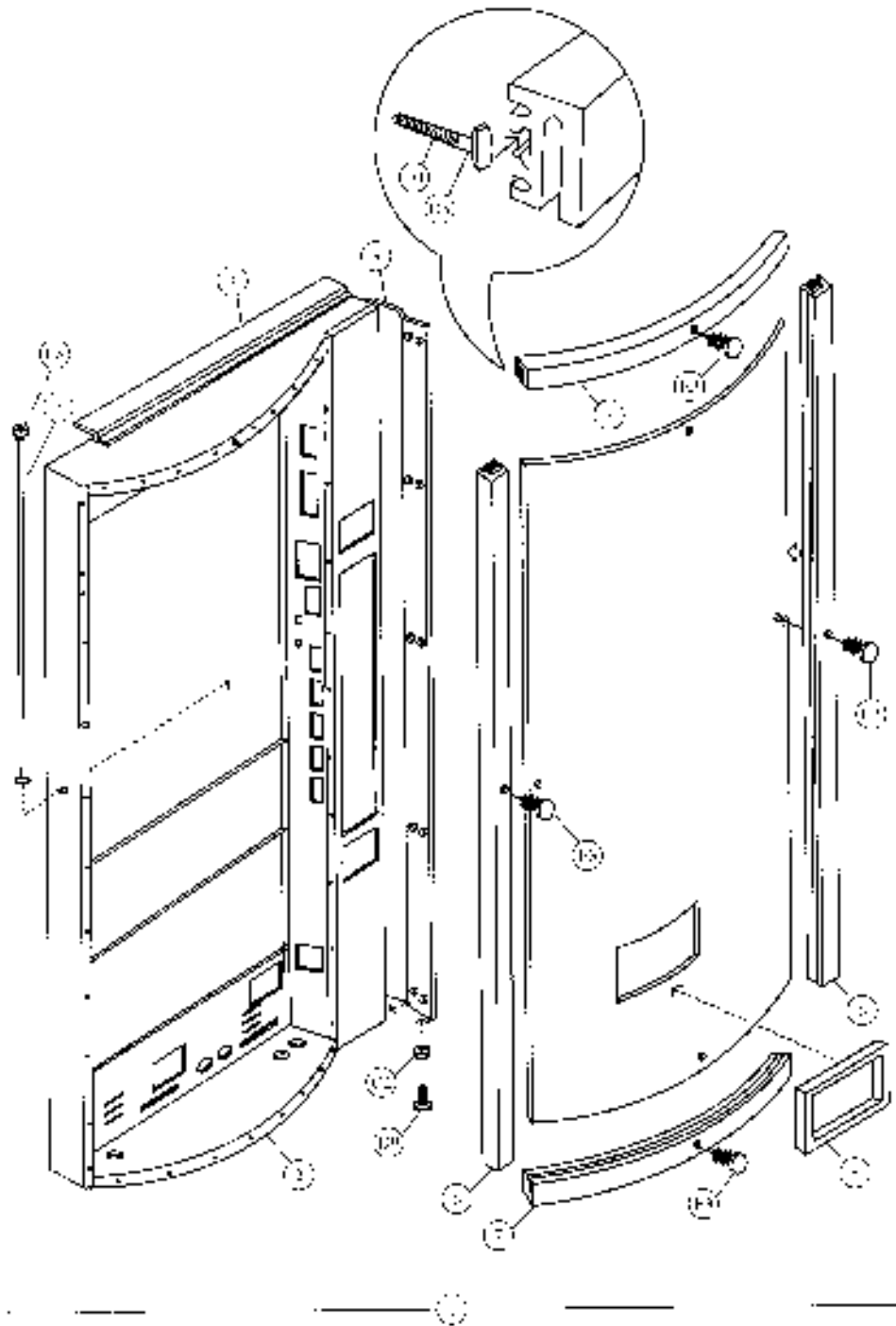




**Pepsi (Magnum Cir.)  
DNCB 440MC, 432MC & 432WS**

Dimensions	79 1/2" H x 27 1/2" W x 70 1/2" D (2019mm H x 940mm W x 775mm D)	
Dimensions Less Door	79 1/2" H x 27 1/2" W x 27 1/2" D (2019mm H x 940mm W x 698mm D)	
Approximate Weight	700 lbs. (318kg)	
Selections/Columns	432/432WS	6/6
	440	8/8
Total 12 oz. (350ml) Cans Capacity/Vend	432/432WS	44/44
	440	44/44
Column Capacity 12 oz. (350ml) Cans	432/432WS	5 Double Columns - 74 Each
	440	1 Double Column - 36 Each 4 Double Columns - 74 Each

# Main Door - Exterior - Pepsi (Magnum Circular)

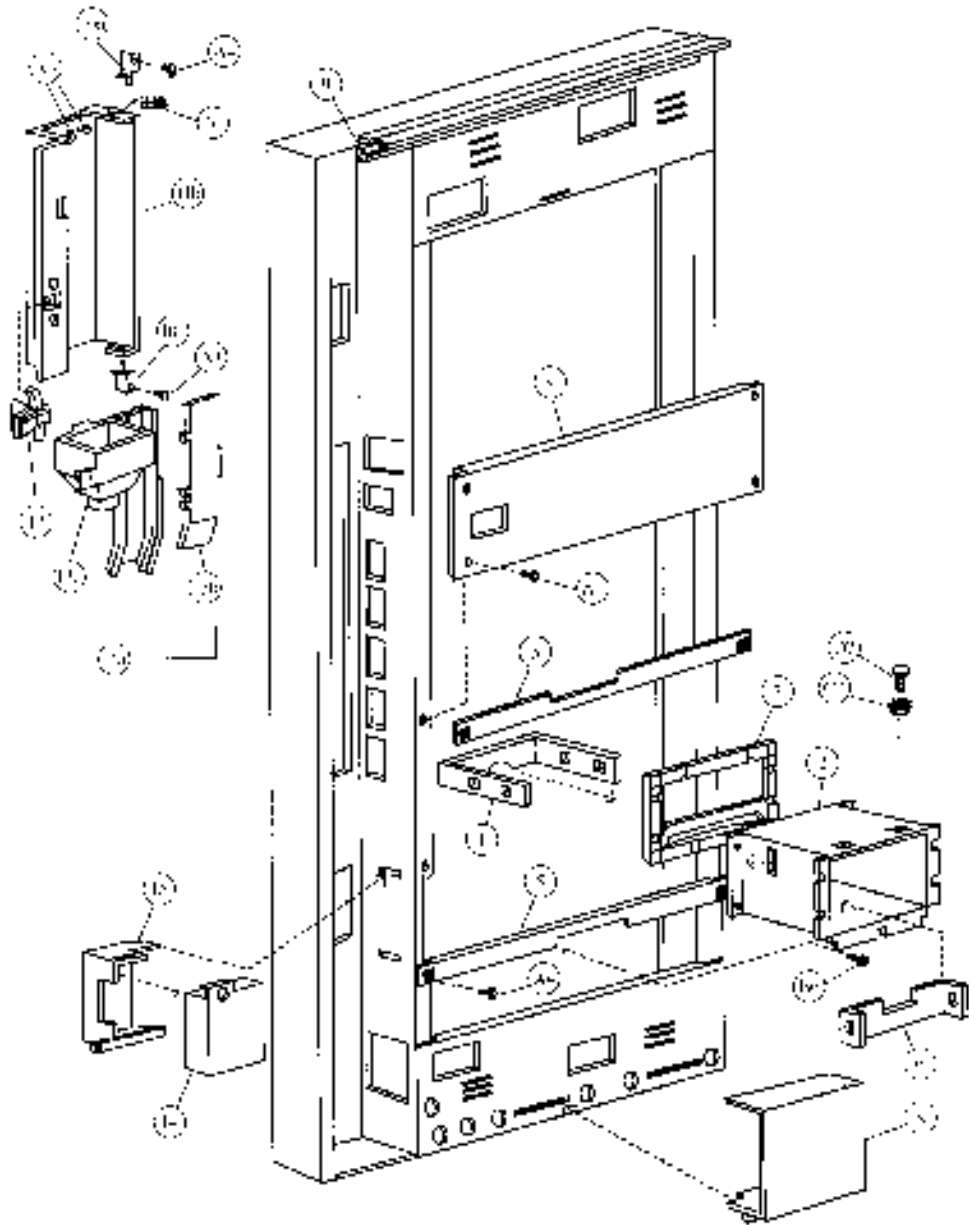


**Main Door - Exterior - Pepsi (Magnum Circular)**

Item	Part Number	Part Name And Description
1	See list below	Main Door Assembly (specify graphics & harness)
	480,150,000.03	440 (8 select) Main Door Assembly
	533,150,000.03	432/432WS (6 select) Main Door Assembly
2	See list below	Main Door Weld Assembly
	480,150,100.03	440 (8 select) Main Door Weld Assembly
	480,150,100.03	432/432WS (6 select) Main Door Weld Assembly
3	164,150,331.43	Protective Plate Door
4	164,151,142.33	Rain Guard
5	900,502,510.11	Tie Rod
6	801,805,470.01	76 7/8" (1941mm) Vertical Trim LS & RS
7	801,805,470.01	29 1/2" (738mm) Horizontal Trim (top & bottom)
8	801,602,860.31	Delivery Port Trim (black)

F8	900,800,510.01	Elastic Stop Nut #8 - 32
D1	900,400,410.01	T-Bolt #8 - 32 x 1 3/4
D5	900,400,350.31	T-Bolt #8 - 32 x 3/4 (46)
E3	900,902,130.01	Christmas Tree Clip (4)
D9	900,201,450.01	Carriage Bolt 1/2 - 20 x 1/2 (10)
C2	900,800,670.01	Keeps Nut 1/2 - 20 (10)
C3	900,800,500.01	Keeps Nut #8 - 32 (60)

# Main Door - Interior - Pepsi (Magnum Circular)



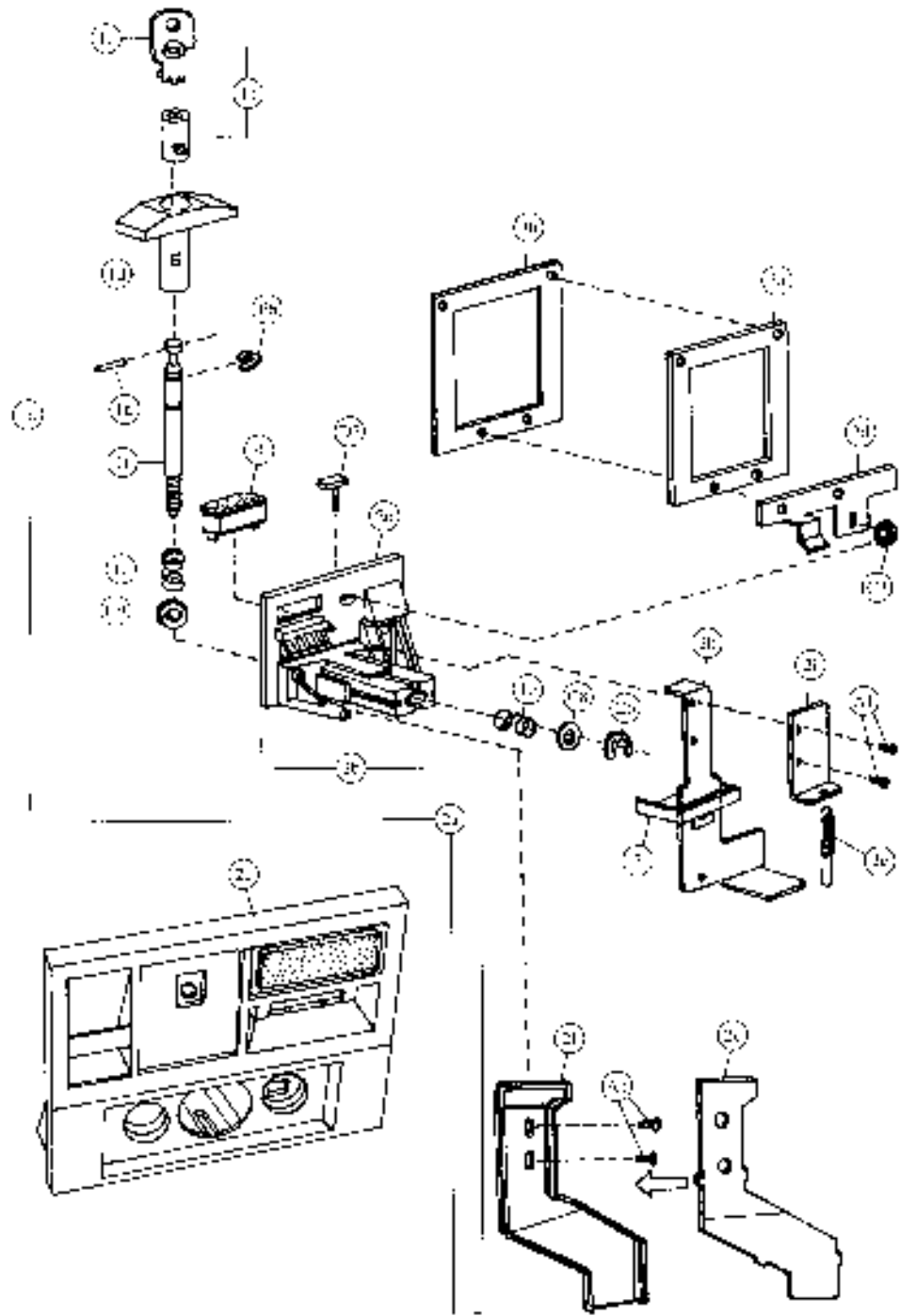
**Main Door - Interior - Pepsi (Magnum Circular)**

Item	Part Number	Part Name And Description
1	399,050,240.03	Discharge Member
2	801,806,030.61	Delivery Port (black frame)
3	801,805,500.21	Port Spacer
4	453,150,010.23	Center Door Stiffener
5	480,050,060.03	Delivery Port Stiffener
6	432,010,510.13	Closure Strip
7	901,901,890.01	1" Clamp (not shown)
8	432,050,660.03	Cover Wire Plug
9	903,600,530.01	L-Profile Gasket
10a	432,051,000.03	Access Door Top Hinge, w/a
10b	432,051,101.63	Access Door Bottom Hinge, w/a
11a	491,050,600.03	Access Door Assembly
11b	432,150,030.33	Access Door
12	901,902,130.11	Access Door Latch
13a	801,806,580.11	Coin Hopper and Chute
13b	801,806,590.11	Coin Chute Front
14	432,051,800.03	Cash Box, w/a
15	432,050,181.43	Cash Box Shelf
16	804,902,610.01	4" Ground Wire (102mm)

--	--	--

B6	900,301,650.01	Screw, Phil Pan (with washer) #8 - 18 x 1/2 (3)
C3	900,800,500.01	Keps Nut #8 - 32
A1	900,301,500.01	Screw, Phil Pan (without washer) #8 - 18 x 1/2 (9)
D7	900,201,170.01	Carriage Bolt 1/2 - 20 x 1 (6)
C2	900,800,670.01	Keps Nut 1/2 x 20 (6)
A9	900,301,560.01	Sems Screw #8 - 32 x 3/8
A5	900,301,970.01	Screw, Phil Pan #8 - 32 x 1/2 (3)
B4	900,201,140.01	Screw, Machine Truss #10 - 32 x 1/8 (2)
B9	900,800,650.01	Keps Nut #10 - 32 (not shown) (2)

# Pull-Out Handle & Coin Insert - Pepsi (Magnum Circular)

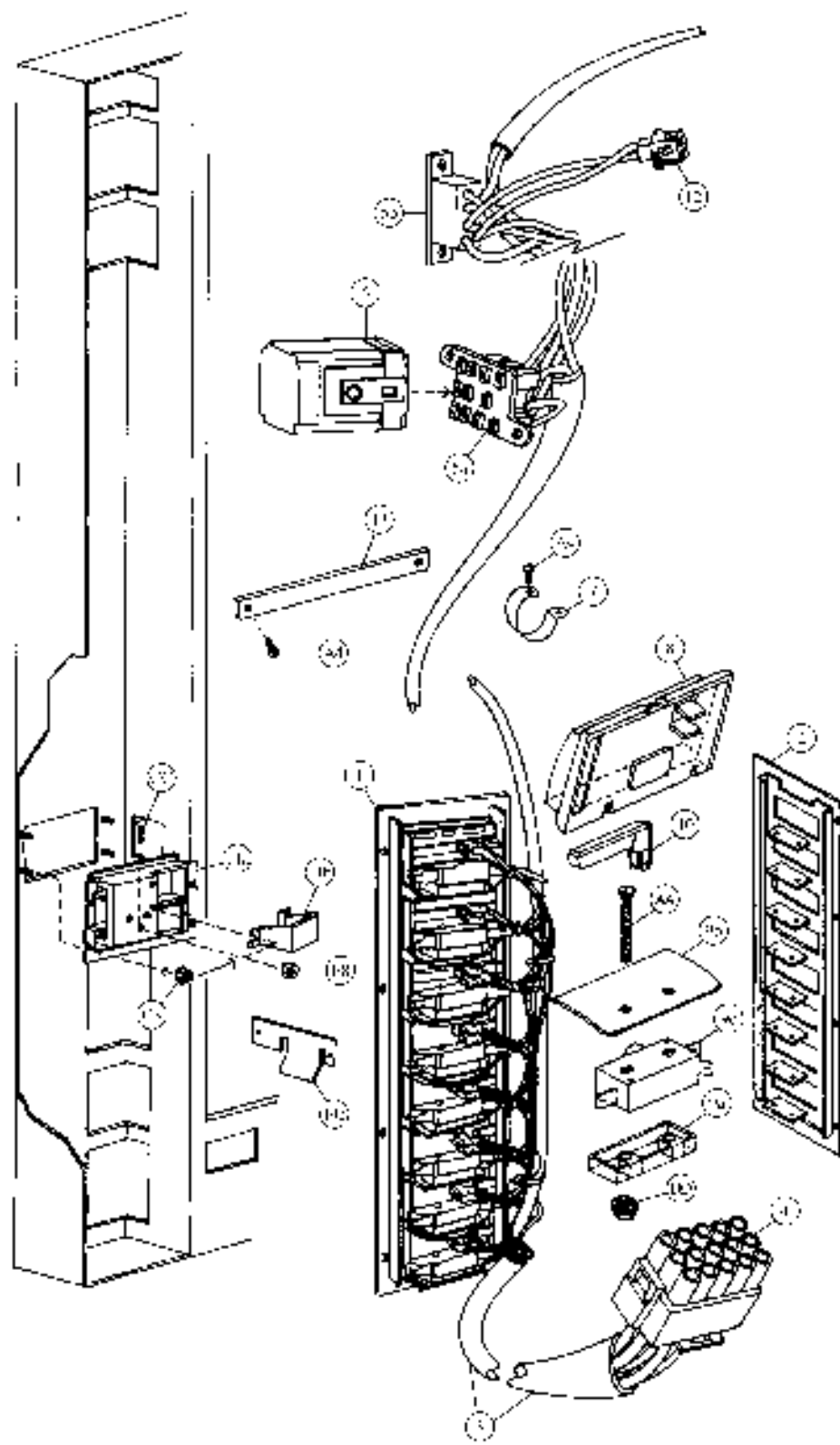


## Pull-Out Handle &amp; Coin Insert - Pepsi (Magnum Circular)

Item	Part Number	Part Name And Description
1a	801,503,049-01	T-Handle Assembly
1b	Specify key number	Lock with Two Keys
1c	Specify key number	Key Only
d	801,503,770-01	Handle Only
1e	901,503,050-01	Spring
1f	4235 6-1-W	Stud
g	901,503,090-11	Cross Pin
2a	See list below	Coin Insert Assembly with T-Handle
	480,150,600-04	Domestic (USA & Canada)
2b	See list below	Coin Insert Assembly without T-Handle
	480,150,500-03	Domestic (USA & Canada)
	480,250,500-03	Export (all others except listed below)
	480,450,500-03	Mexico
	480,650,500-03	Argentina - Token
2c	See list below	Coin Insert
	801,201,180-31	Domestic (USA & Canada)
	801,201,190-41	Export (all others except listed below)
	801,201,290-21	Mexico
	801,201,390-11	Argentina - Token
3a	506,050,020-13	Coin Insert Retriever
4a	801,805,800-31	Coin Chute Cover
4b	801,805,780-61	Coin Chute
4c	901,700,630-11	Spring Extension
5a	453,050,800-03	Coin Return Plunger Assembly
5b	432,050,570-33	Plunger Bracket
6	360,050,730-53	Validator Plate
8	902,001,110-21	Gasket Validator (black)
9	See list below	Correct Change Lamp
	904,700,180-21	English "Use Correct Change"
	804,700,500-01	English, ISO Standard "Use Correct Change"
	804,700,440-01	Spanish "Importe Exacto"
	804,700,450-01	French "Faites L'Appoint"
	804,700,400-01	Italian "Usare Monete Corrette"
	804,700,470-01	Arabic "L'Alten Para Akouz"
	804,700,480-01	German "Abgezahles Geld Verwenden"
	904,700,490-01	Portuguese "Introduza Quanta Exata"
5	801,805,080-01	Drip Chute

16	901,503,070-01	E Ring
17	901,503,060-01	Flat Washer
18	901,503,080-01	Hus Washer
A1	900,301,700-01	Scrim Screw #6 - 32 x 3/8 (61)
C3	900,800,500-01	Keps Nut #2 - 12 (61)
D5	800,400,300-31	T-Bolt #8 - 32 x 1/2

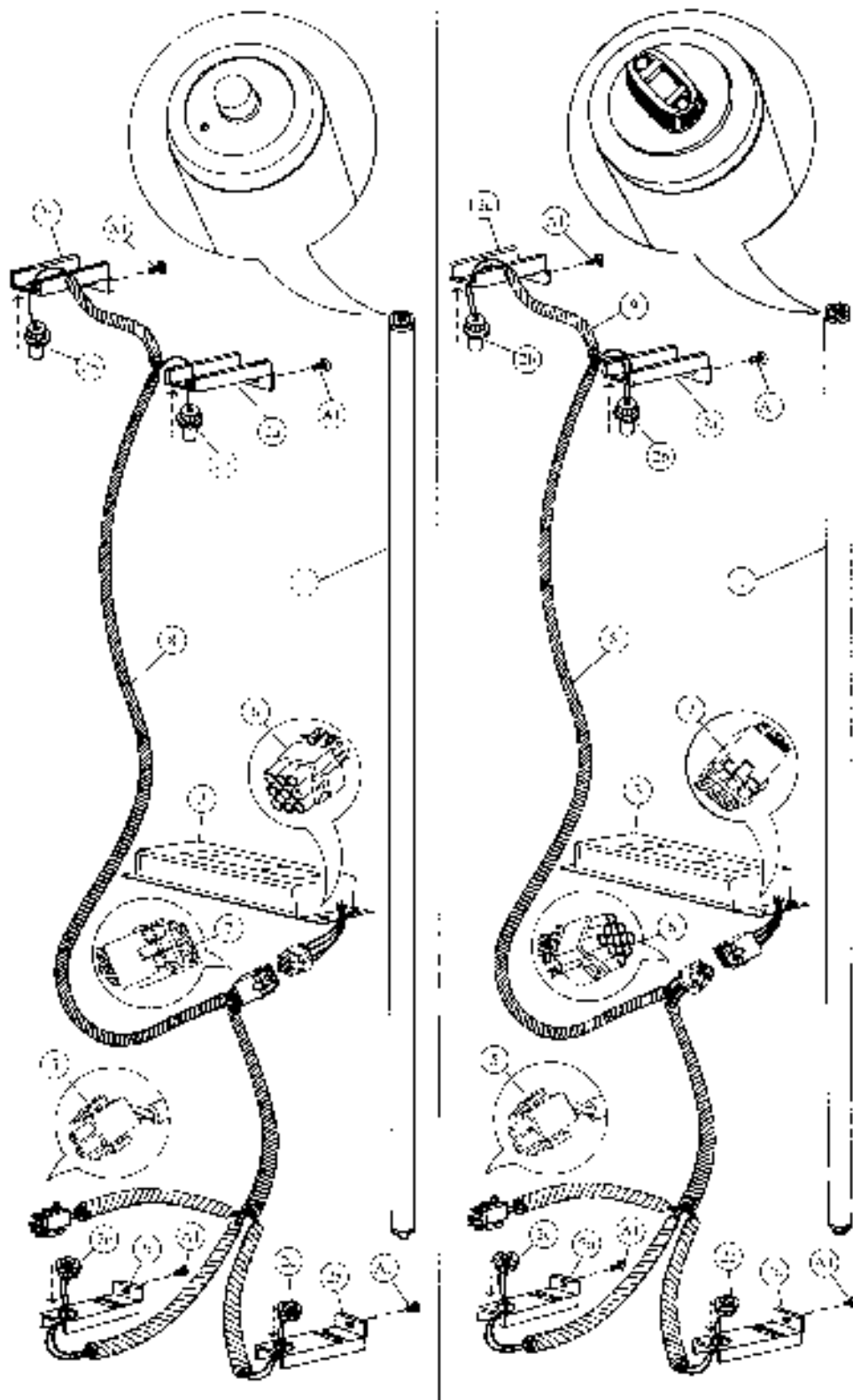
# Select Panel - Pepsi (Magnum Circular)







## Lighting - Pepsi (Magnum Circular)



Slimline

High-Output

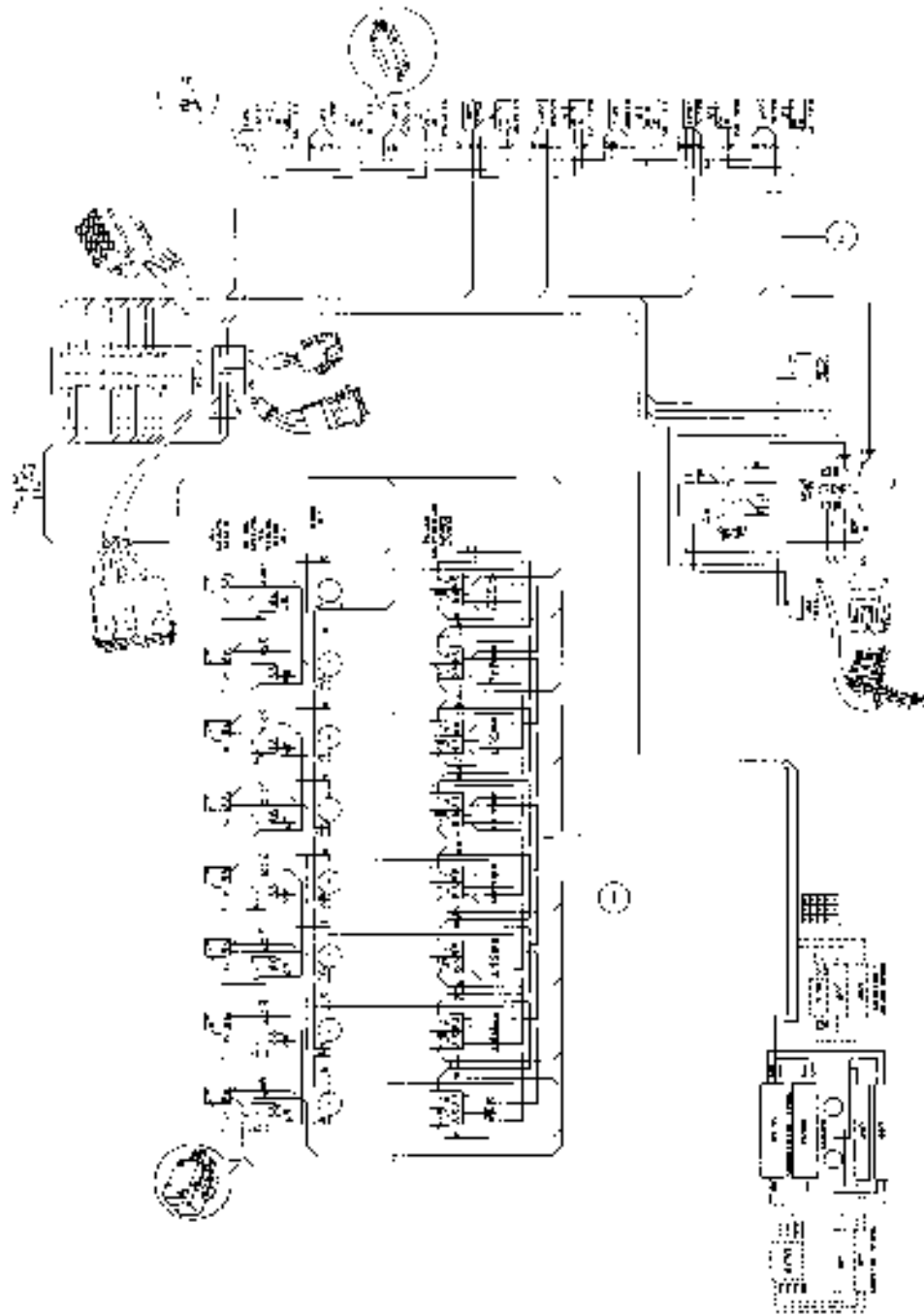
**Lighting - Pepsi (Magnum Circular)**

Item	Part Number	Part Name And Description
<b>High-Output Lighting</b>		
1	804,700,360.01	Fluorescent Bulb - F72T12/D/HO
2a	432,050,380.63	Door Bracket Lamp Socket
2b	804,901,990.01	Top Lamp Holders - 523
2c	804,902,000.01	Bottom Lamp Holders - 524
3	804,400,380.01	Plug-In Ballast, Advance #VSM/HO
4	904,800,520.01	Connector, Electrical (scotchlock 557)(not shown)
5	904,600,710.01	2-Way Plug
6	904,600,670.01	9-Way Plug
7	904,600,660.01	9-Way Cap
8	804,904,510.21	Plug-In Ballast Harness, High Output
9	804,904,920.21	Lamp Fixture Jumper, High Output

<b>Slimline Lighting</b>		
1	804,700,310.01	Fluorescent Bulb - F72T12/DAYLIT
2a	432,050,380.63	Door Bracket Lamp Socket
2b	804,902,020.01	Top Lamp Holders - 516
2c	804,902,030.01	Bottom Lamp Holders - 517
3	804,400,370.11	Plug-In Ballast, Advance Slimline
4	904,800,520.01	Connector, Electrical (scotchlock 557)(not shown)
5	904,600,710.01	2-Way Plug
6	904,600,670.01	9-Way Plug
7	904,600,660.01	9-Way Cap
8	804,904,600.51	Plug-In Ballast Harness, Slimline

A1	900,301,700.01	Sheet Metal Screw #6 - 32 x 3/8	(4)
----	----------------	---------------------------------	-----

# Wiring Harness - Pepsi (Magnum Circular)

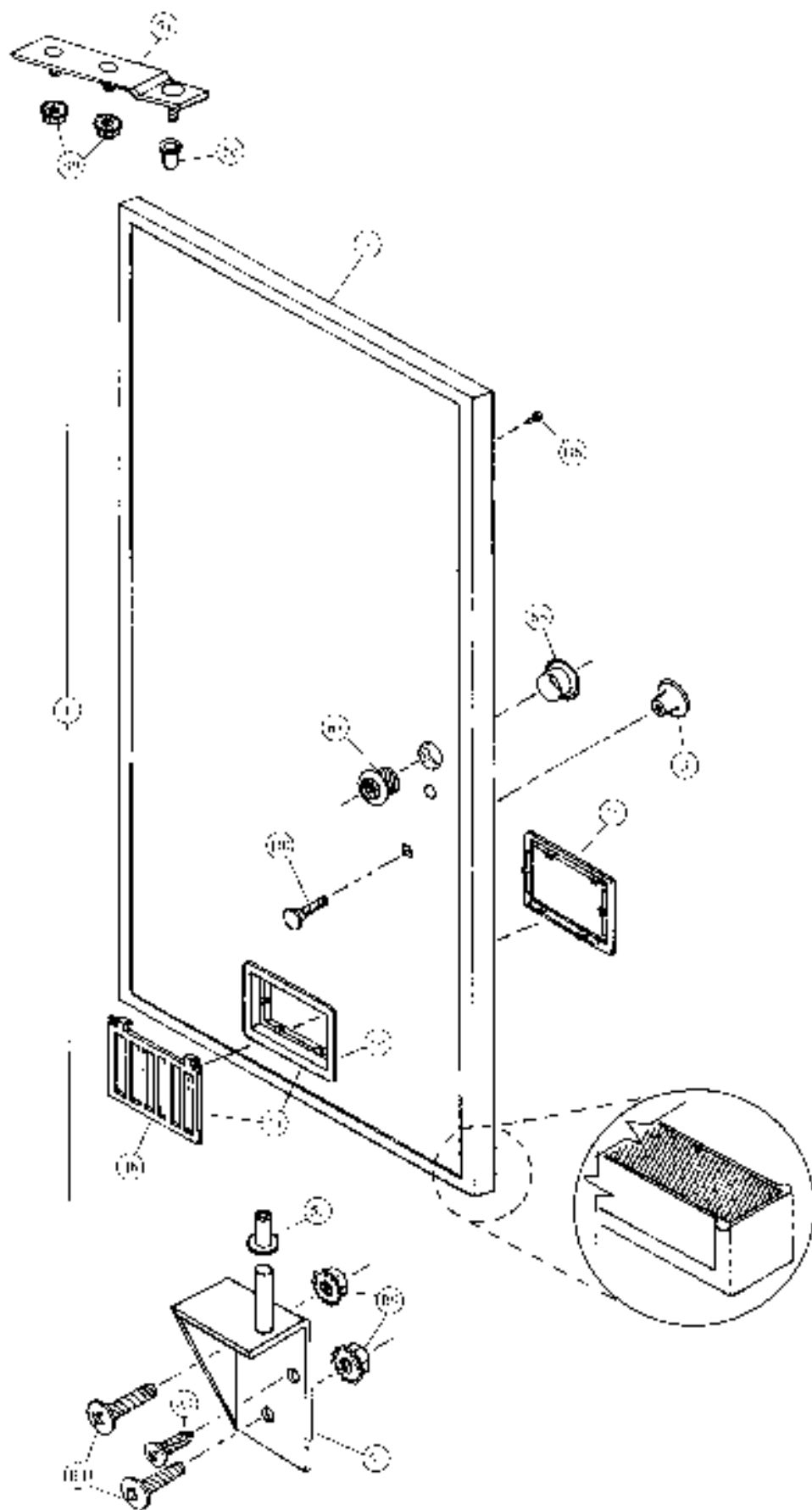


Sample Diagram  
8 Column Dual Adaptable, Single Price

## Wiring Harness - Pepsi (Magnum Circular)

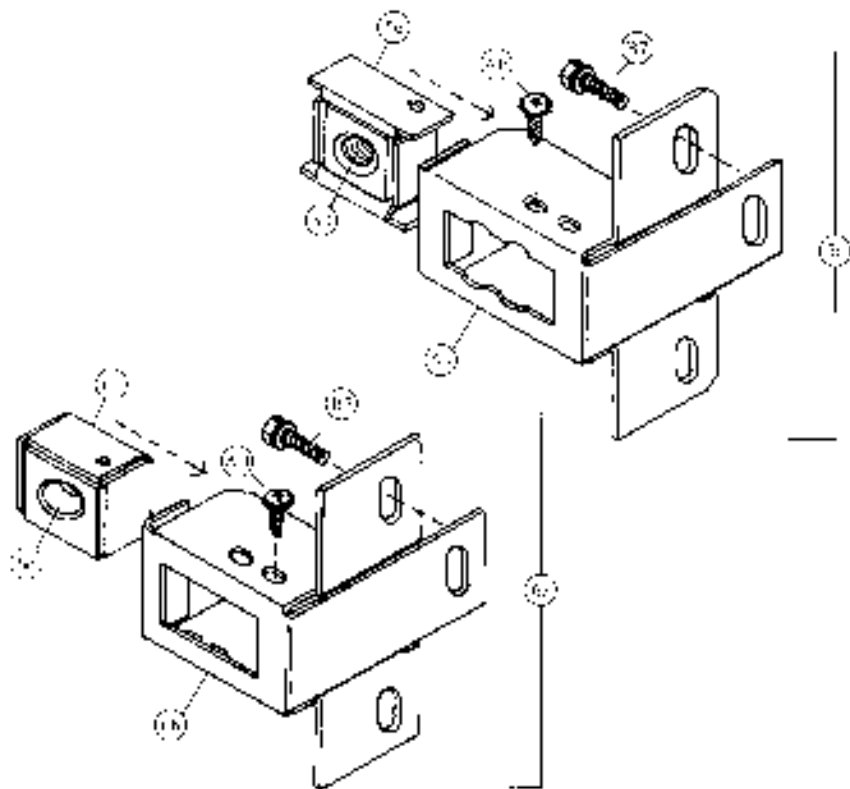
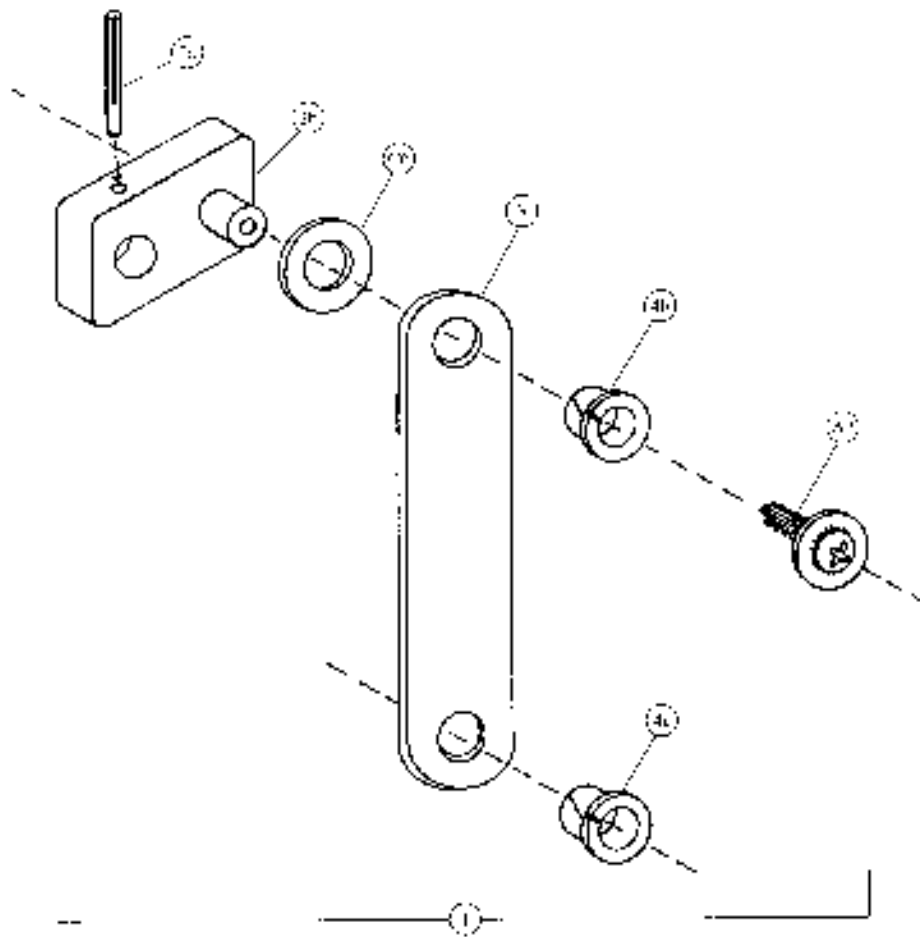
Item	Part Number	Part Name And Description	
1a	See list below	440 Cabinet Harness	(6 select)
	804,902,360.51	Single Price	
	804,903,590.01	Single Price - IEC Standard	
	804,904,190.21	Two/Four Price	
	804,904,290.01	Two/Four Price - IEC Standard	
1b	See list below	432/432WS Cabinet Harness	(6 select)
	804,902,410.51	Single Price	
	804,903,640.01	Single Price - IEC Standard	
	804,904,200.11	Two/Four Price	
	804,904,330.01	Two/Four Price - IEC Standard	
2a	See list below	440 Door Harness	(8 select)
	804,903,690.11	Single Price & Single Price - IEC Standard	
	804,904,170.11	Two Price & Two Price - IEC Standard	
	804,904,000.11	Four Price & Four Price - IEC Standard	
2b	See list below	432/432WS Door Harness	(6 select)
	804,903,710.11	Single Price & Single Price - IEC Standard	
	804,903,840.11	Two Price & Two Price - IEC Standard	
	804,904,010.11	Four Price & Four Price - IEC Standard	

# Inner Door - Pepsi (Magnum Circular)





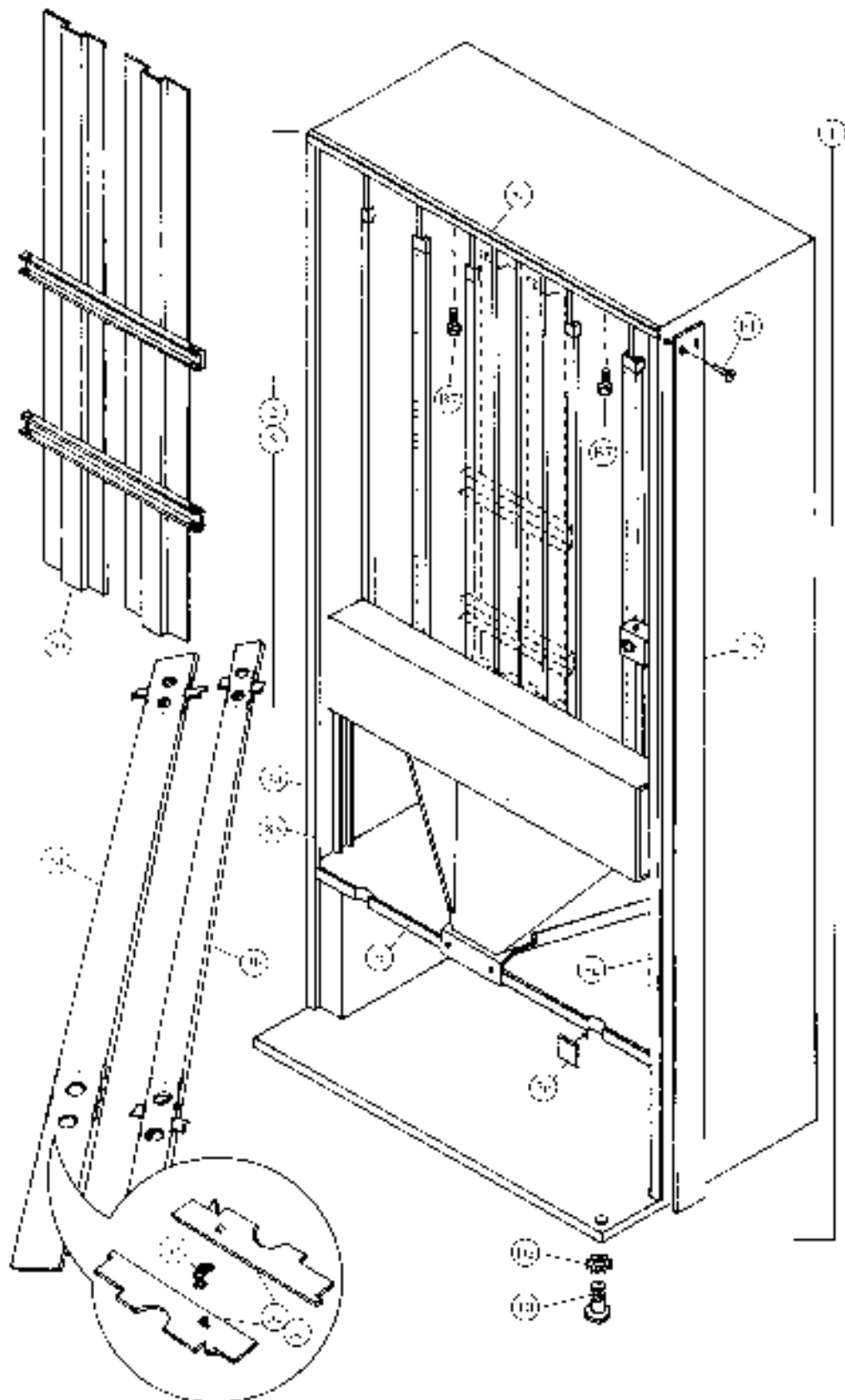
## Two-Bar Linkage & Nut Retainer Housing - Pepsi (Magnum Cir.)







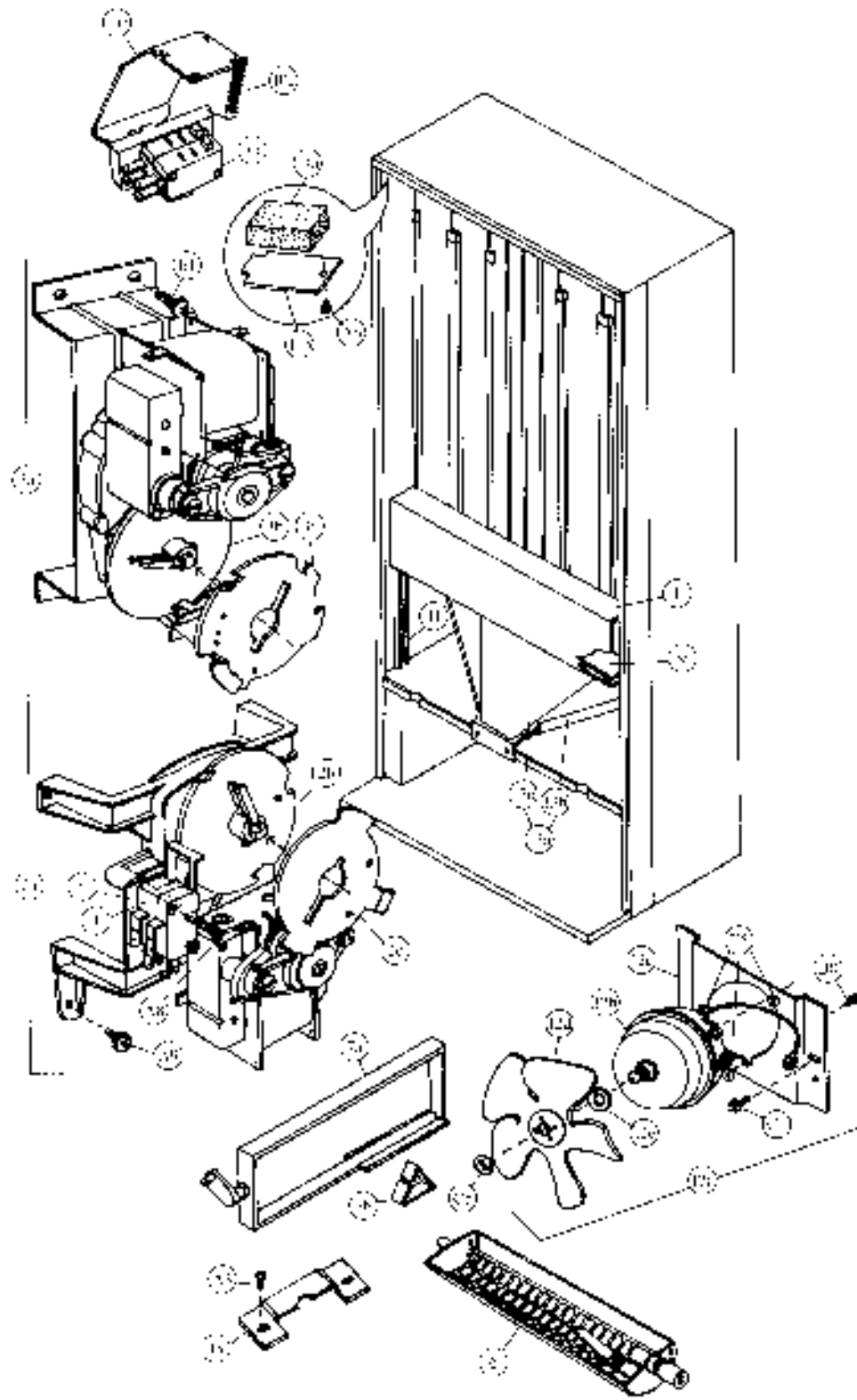
### Cabinet Interior - Pepsi (Magnum Circular)



**Cabinet Interior - Pepsi (Magnum Circular)**

Item	Part Number	Part Name And Description	
1	491,040,700.03	Front Cabinet Assembly	
2a	See list below	440 Stack Assembly	(specify harness)
	491,070,000.03	Single Price	
	491,170,000.03	Two/Four Price	
2b	See list below	432 Stack Assembly	(specify harness)
	447,070,000.03	Single Price	
	447,170,000.03	Two/Four Price	
2c	See list below	432WS Stack Assembly	(specify harness)
	not applicable	Single Price	
	447,270,000.03	Two/Four Price	
3a	491,370,600.03	Rear Spacer Assembly, Wide Column (440 & 432 only)	
	not applicable	Rear Spacer Assembly, Wide Column (432WS only)	
3b	491,070,700.03	Rear Spacer Assembly, Narrow Column (440 only)	
4a	267,070,080.53	Latch Finger, Long	
4b	267,070,210.43	Latch Finger, Short (440 only)	
5	901,000,690.01	Rear Spacer Spring	
6a	161,000,071.51	Protective Plate, LS Cabinet	(not shown)
6b	164,000,041.63	Protective Plate, RS Cabinet	
7	447,070,100.03	440 Stack Sub Assembly	
	447,070,100.03	432 Stack Sub Assembly	
	447,270,100.03	432WS Stack Sub Assembly	
8a	491,070,800.03	Gate, w/o (440 only)	
8b	491,071,000.03	Gate Hinge (440 only)	(not shown)
8c	241,070,260.73	Gate Latch (440 only)	(not shown)
9a	801,808,230.11	Mullion	
9b	801,803,830.01	Mullion Cover, Metal	(not shown)
9c	not applicable	Mullion Cover, Plastic	(obsolete)
8a	491,020,150.03	Breaker Strip, Right	
8b	491,070,160.03	Breaker Strip, Left	
8c	491,020,170.03	Breaker Strip, Top	
9a	480,000,100.13	Ballast Plate Assembly	(not shown)
	491,020,800.13	Ballast Plate Assembly - IEC Standard	(not shown)
9b	432,070,070.23	Ballast Plate	(not shown)
	492,050,140.03	Ballast Plate - IEC Standard	(not shown)
10	900,502,490.71	Leveling Leg, 4"	(4)
11	350,170,070.33	Mounting Bracket, Rear	(not shown)
12	437,010,020.13	Rodent Guard, Wide	(not shown)
	474,011,400.13	Rodent Guard, Wide - IEC Standard	(not shown)
13	804,400,360.01	Transformer, Basler Isolation	(not shown)
14	804,902,170.11	Transformer, Jammer	(not shown)
16a	901,902,280.01	Heyco Wire Clip #3699	(not shown)
16b	900,901,590.01	Cable Clamp, Green	(not shown)
17	900,302,010.01	Self Tapping Screw 1/4" 20 x 3/8"	
18	901,100,420.01	Pop Rivet, 3/8"	(10)
18S	900,301,790.21	Self Tapping Screw 1/4" 20 x 1"	(4)
19	901,100,440.01	Drive Rivet, 3/8"	(10)
19S	900,700,890.01	Lock Washer, 3/8"	
19T	901,100,520.01	Pop Rivet, 3/8"	

## Cabinet & Vend Mechanism - Pepsi (Magnum Circular)

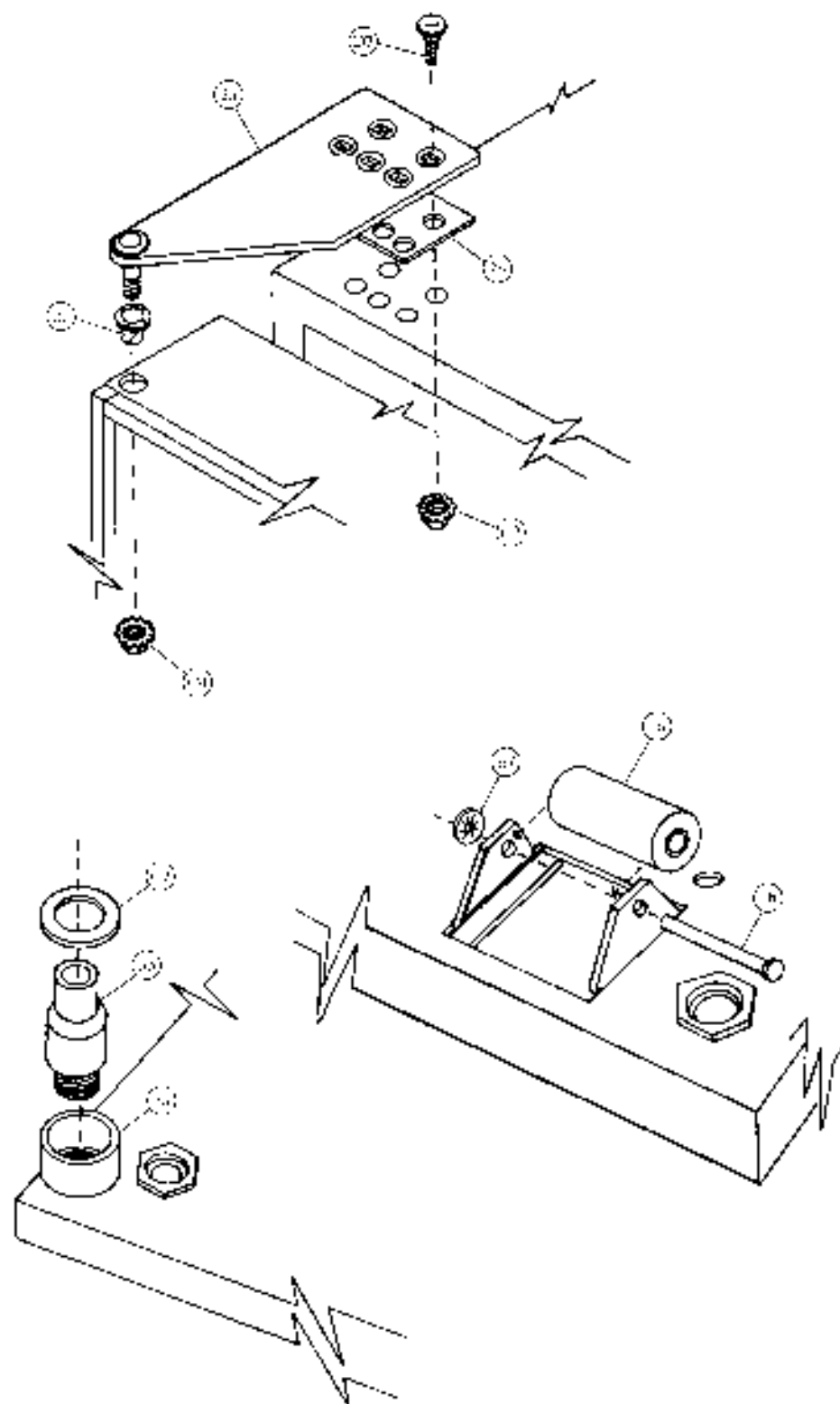


## Cabinet &amp; Vend Mechanism - Pepsi (Magnum Circular)

Item	Part Number	Part Name And Description
	491,070,050.03	Vend Motor Cover, Wide
	491,071,200.22	Vend Motor Cover, Wide - IEC Standard
7a	See list below	Vend Motor Assembly, Wide
	491,070,300.03	Single Price
	491,170,100.03	Two/Four Price
8a	801,806,390.21	Vend Cam, Blue
8c	801,806,400.11	Adjustable Cam, Gold
9a	See list below	Vend Motor Assembly, Narrow (440 only)
	491,070,400.03	Single Price
	491,170,200.03	Two/Four Price
10a	801,806,180.21	Vend Cam, Brown (440 only)
10c	801,806,610.21	Adjustable Cam, Brown (440 only)
11	See list below	Vend Motor Switch
	804,100,500.01	Single Price (Double Switch)
	805,100,690.01	Single Price - IEC Standard (Double Switch)
	804,100,790.01	Two/Four Price - IEC Standard (Triple Switch)
12	905,800,330.11	Vend Motor Switch Insulency
13	801,201,211.01	Vend Rotor - Narrow Column (440 only)
14	801,201,010.41	Vend Oscillator - Wide Column
7b	901,700,650.11	Cam Retainer Oscillator
6a	801,803,170.01	Nylon, Rear (not shown)
8b	901,804,230.01	Nylon, Front - Wide Column only (not shown)
9	207,000,370.43	Wire Shield
10b	805,100,610.01	Sold Out Switch Assembly
	804,100,580.01	Sold Out Switch Assembly - IEC Standard
10c	432,070,190.13	Sold Out Paddle
10d	901,700,740.01	Sold Out Paddle Spring
11	497,020,070.33	Mechanism Support
12a	See list below	Evaporator Fan Motor Assembly
	491,000,200.03	115v
	491,140,400.03	220 - 240v
12b	See list below	Evaporator Fan Motor
	804,500,590.01	115v
	805,500,520.01	220 - 240v
12c	164,040,080.73	Evaporator Fan Motor Bracket
2d	801,400,270.11	Evaporator Fan Blade
2e	907,100,290.01	Sleeve
13a	480,070,100.03	Can Chute Assembly (includes 13b & 13c)
13b	211,100,010.43	Can Chute
13c	211,070,070.43	Chute Lip (Kydex)
14a	903,300,770.01	Foam Block
14b	169,000,130.83	Hinge Pocket Cover
5	176,012,130.13	Journal

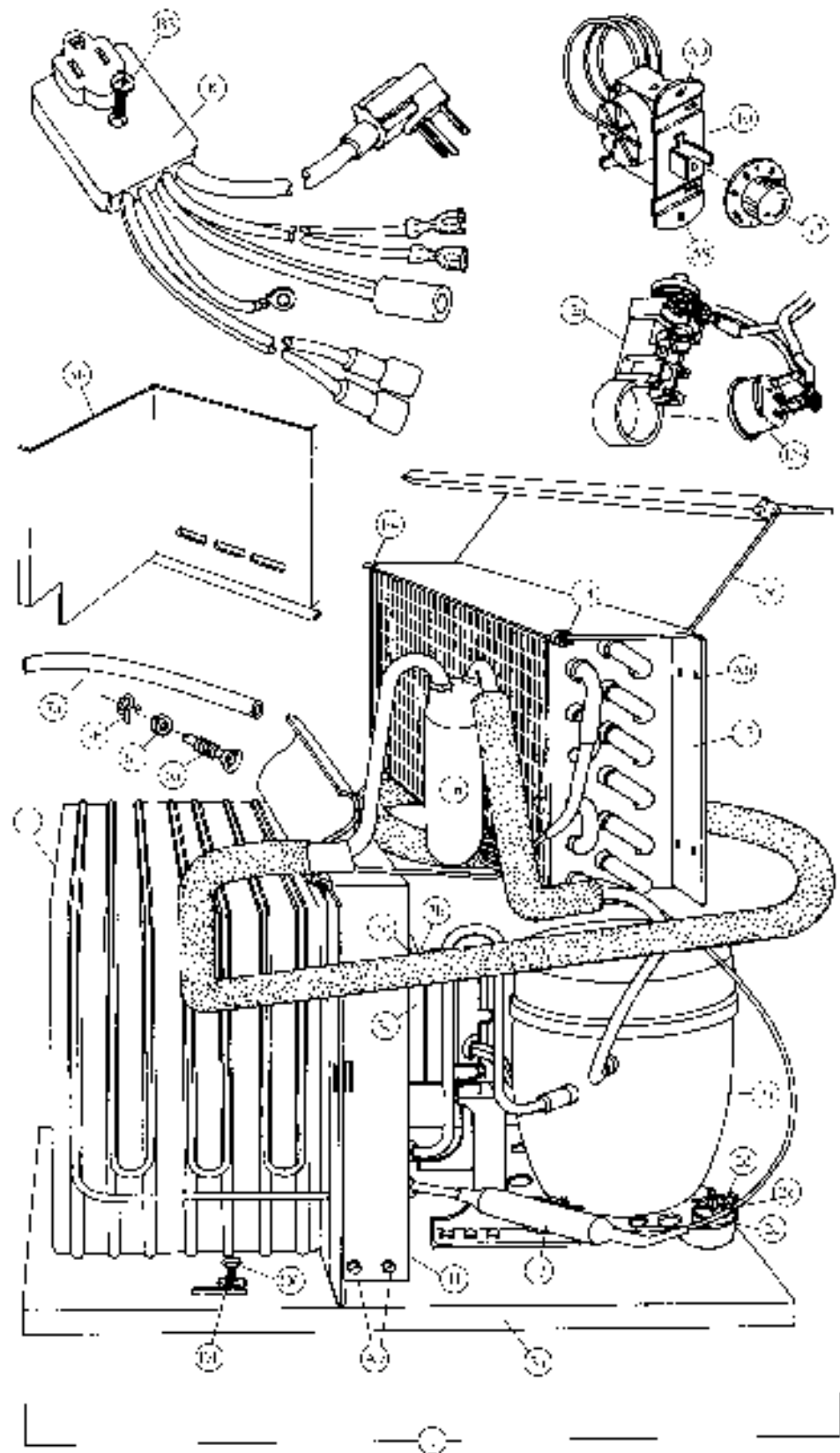
C1	900,001,510.02	Screw, Phil Pan Tapping	
A3	900,001,870.01	Sems Screw #10 - 32 x 1/2	(8)
A6	900,001,230.02	Sheet Metal Screw, Type "A"	
B8	900,001,690.01	Hex Tap Screw #8 - 32 x 1/2	(2)
A8	900,001,820.01	Vend Motor Screw #8 x 1 1/4 - Double Switch	(16)
	900,001,610.01	Vend Motor Screw #8 x 1 1/4 - Triple Switch	
A9	900,001,500.01	Sems Screw #8 - 32 x 1/2	(28)
C5	900,001,090.01	Grommet, Black Rubber #97	(2)
C4	900,800,350.01	Speed Nut	
B1	900,001,850.01	Sems Screw #6 - 32 x 3/4	

## Hinges and Rollers - Pepsi (Magnum Circular)





# Refrigeration - Pepsi (Magnum Circular)





## Refrigeration - Pepsi (Magnum Circular)

Item	Part Number	Part Name And Description	
1	Provide information listed	Complete Refrigeration System: Indicate unit model number from serial plate on unit base plate, refrigerant, voltage/hertz and country.	
2a	Provide information listed	Compressor A/T/P: Indicate compressor manufacturer, voltage/hertz, refrigerant and complete manufacturer's model number.	
2b	See list below	Compressor Lead Harness	(not shown)
	804,901,611.01	All, except IEC Standard	
	804,905,320.01	220-240v/50hz, IEC Standard	
3a	902,500,570.01	Compressor Mounting Groundnut	
3b	900,901,880.01	Compressor Mounting Retainer Clip	
3c	901,803,910.01	Compressor Groundnut Plug, Plastic	
3d	491,040,140.23	Condenser Base Plate	
4a	See list below	Condenser Fan Motor Assembly	
	491,040,200.03	115v	
	491,140,300.03	220-240v	
4b	See list below	Condenser Fan Motor	
	805,500,670.01	115v	
	804,501,700.01	220-240v	
5a	800,103,370.02	Fan Blade	(not shown)
5b	491,000,100.23	Drain Pan Assembly	(not shown)
4b	801,804,201.51	Drain Pan, Plastic	(not shown)
4c	905,900,890.01	Socket, Fiberglass	(14) (not shown)
5a	491,040,050.53	Condenser Haffle, Right Side	(not shown)
5b	491,040,060.53	Condenser Haffle, Rear	(not shown)
6a	801,806,050.11	Drain Tube	
6b	500,301,790.01	Drain Tube Nut	
7	901,900,500.01	Drain Hose	
8b	900,901,030.01	Drain Hose Clamp	
9	See listing below	Main Wiring Harness	
	804,902,270.01 (a)	United States	(shown)
	805,905,480.01 (b)	Australia, IEC 335	
	804,905,490.01 (c)	United Kingdom, IEC 335	
	804,902,160.21 (d)	Europe	
	804,903,160.01 (e)	Mexico	
	804,905,450.01 (f)	Italy	
	804,905,470.01 (g)	Denish, IEC 335	
	804,905,760.01 (h)	Germany, with Splashwater Protector	
9	211,040,050.13	Top Fan Housing	
10	802,800,410.01	Temperature Control	
11	491,040,110.33	Van Shroud Condenser	
12a	Provide information listed	Relay: Indicate compressor manufacturer, model # and voltage/hz.	
2c	Provide information listed	Overhead: Indicate compressor manufacturer, model # and voltage/hz.	
3	802,401,240.01	Deva	
4	802,600,550.01	Condenser	
15	802,600,370.51	Evaporator	
16	802,400,360.01	Accumulator	
17	802,800,430.01	Knob, Temperature Control	
AG	900,601,270.02	Sheet Metal Screw, Type "A" (not shown)	(2)
AG	900,301,500.01	Seus Screw #8 - 32 x 1/2	(8)
BS	901,301,810.01	Screw, #10 - 32 x 1 1/2	
DS	900,700,360.01	Lockwasher, #8	(2)
ES	900,901,890.01	Pinwasher Clip	(2)
FF	902,400,440.01	Refrigeration Belt 3/8" 15 x 1	(2)

When Order 14 Parts Indicate Model # And Serial # Of Vendor.  
All Part Numbers And Prices Are Subject To Change Without Notice.

Signs and Decals - Pepsi (Magnum Circular)



①



②



③

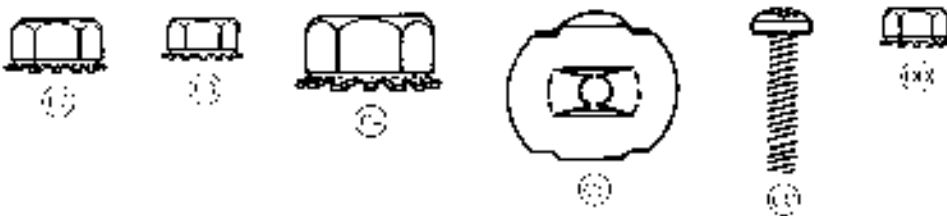
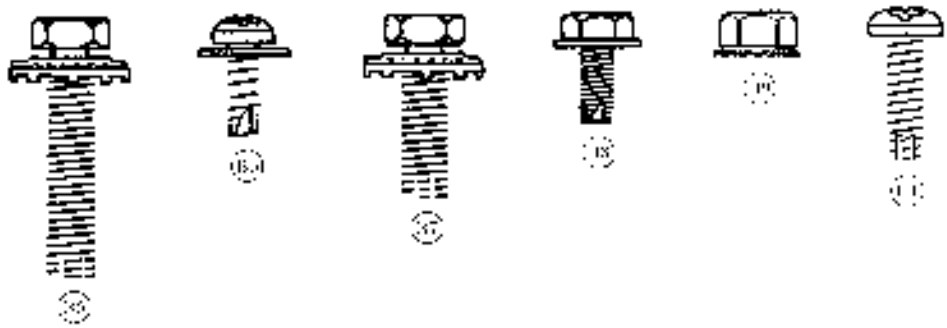
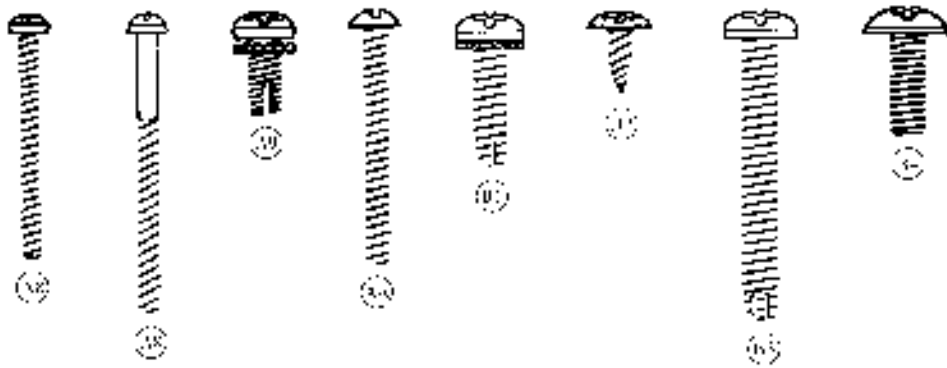
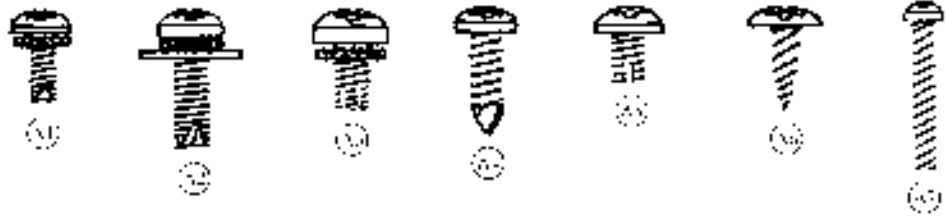


④

**Signs & Decals - Pepsi (Magnum Circular)**

Item	Part Number	Part Name And Description
1	See list below	Pepsi Cola Signs
	805,009,760.01	Pepsi Can On Ice Sign (1992 graphics) (shown)
	805,008,140.01	Pepsi Can On Ice Sign (1991 graphics)
	805,006,170.41	Pepsi Sign (Target graphics)
	805,007,170.01	Pepsi Sign, Solar Grade
	805,008,040.01	Pepsi Bottle On Ice Sign
	805,009,380.01	Pepsi Can On Ice Sign
2	See list below	Diet Pepsi Cola Signs
	805,009,870.01	Diet Pepsi Can On Ice Sign (1992 graphics)
	805,008,530.01	Diet Pepsi Can On Ice Sign (1991 graphics)
	805,006,320.01	Diet Pepsi Sign (1991 Target graphics) (shown)
3	See list below	Pepsi Cola Side Decals
	803,830,560.01	Pepsi Side Decal (1992 graphics) (shown)
	803,818,850.21	Pepsi Side Decal (1991 Target graphics)
4	See list below	Diet Pepsi Cola Side Decals
	803,830,630.01	Diet Pepsi Side Decal (1992 graphics)
	803,822,270.01	Diet Pepsi Side Decal (1991 Target graphics) (shown)
	803,822,150.11	Diet Pepsi Side Decal

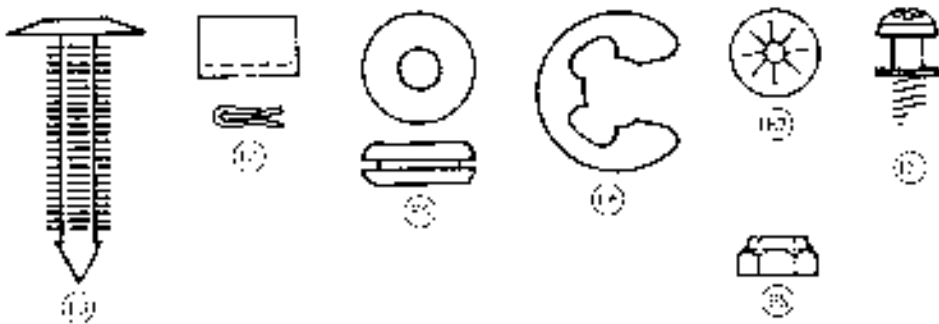
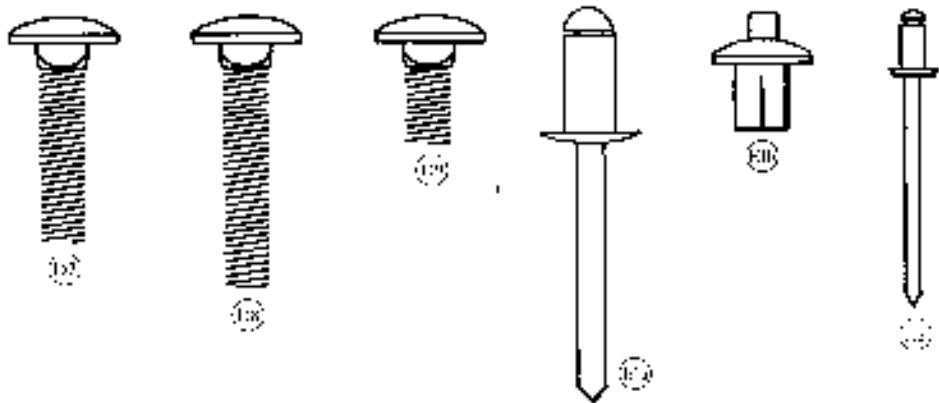
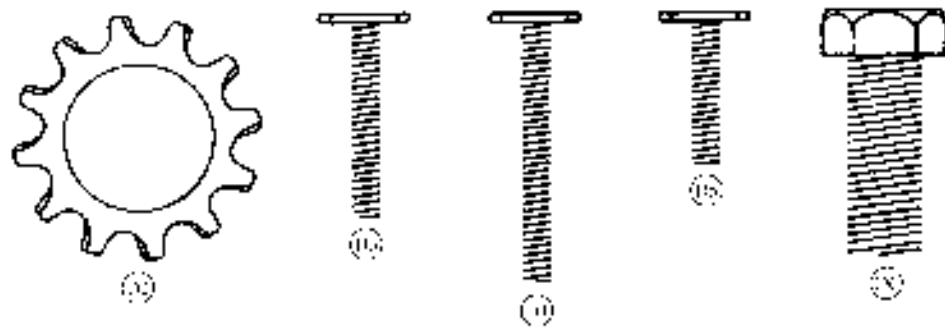
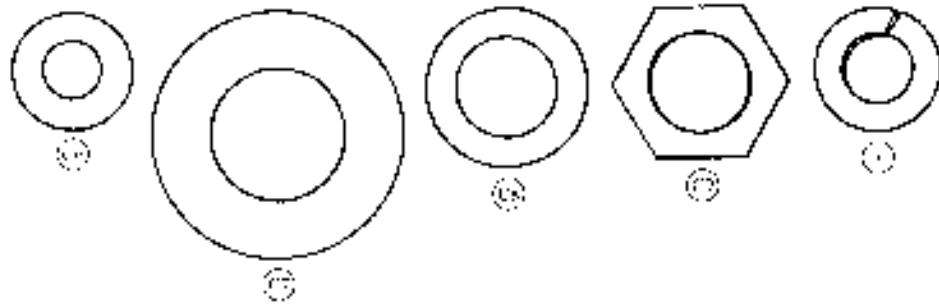
# Screws & Nuts - Pepsi (Magnum Circular)



## Screws &amp; Nuts - Pepsi (Magnum Circular)

Item	Part Number	Part Name And Description
A1	900,301,700.01	Sems Screw #6 - 32 x 3/8
A2	900,301,640.01	Sems Screw #8 - 32 x 1/2
A3	900,301,830.01	Screw, Phil Pan #10 - 32 x 3/8
A4	900,301,500.01	Screw, Phil Pan (w/out washer) #8 - 18 x 1/2
A5	900,301,970.01	Screw, Phil Pan #8 - 32 x 3/4
A6	900,600,230.02	Sheet Metal Screw, Type "A"
A7	900,300,470.01	Screw, Phil Pan #4 x 3/4
A8	900,301,820.01	Vend Motor Screw #4 x 1 1/8
	900,301,610.01	Vend Motor Screw #4 x 1 1/8
A9	900,301,560.01	Sems Screw #8 - 32 x 3/8
AA	900,201,310.01	Machine Screw #6 - 32 x 1 1/2
AB	900,301,960.01	Sems Screw #8 - 32 x 1/2 (not shown)
B1	900,301,850.01	Sems Screw #8 - 32 x 3/8
B2	900,300,160.01	Sems Screw #6 x 3/8
B3	900,301,810.01	Screw #10 - 32 x 1 1/8
B4	900,201,140.01	Screw, Machine Truss #10 - 32 x 1/2
B5	900,301,730.21	Self-Tapping Screw 1/4 - 20 x 1
B6	900,301,650.01	Screw, Phil Pan (with washer) #8 - 18 x 3/8
B7	900,302,010.01	Self-Tapping Screw 1/4 - 20 x 3/8
B8	900,301,690.01	Screw, Hex Tap #8 - 32 x 3/8
B9	900,800,650.01	Keps Nut #10 - 32
C1	900,801,510.02	Screw, Phil Pan Tapping
C2	900,800,670.01	Keps Nut 1/4 - 20
C3	900,800,500.01	Keps Nut #8 - 32
C4	900,800,690.01	Keps Nut (Top Door Hinge) 3/8 - 16
C5	900,800,850.01	Speed Nut
CC	900,201,220.11	Machine Screw #8 - 32
DD	900,800,490.01	Keps Nut #6 - 32

# Washers, Bolts & Misc. - Pepsi (Magnum Circular)



**Washers, Bolts & Misc. - Pepsi (Magnum Circular)**

Item	Part Number	Part Name And Description
C6	900,700,600.01	Washer, Flat
C7	901,303,770.01	Washer, Hinge
C8	901,503,080.01	Washer, Flat (T-Handle)
C9	901,503,080.01	Washer, Hex (T-Handle)
D1	900,700,360.01	Lockwasher, 1/8"
D2	900,700,890.01	Lockwasher, 3/8"
D3	900,400,430.01	T-Bolt #8 - 32 x 1
D4	900,400,410.01	T-Bolt #8 - 32 x 1 3/8
D5	900,400,350.31	T-Bolt # 8 - 32 x 3/4
D6	900,400,440.01	Refrigeration Bolt 3/8 - 16 x 1
D7	900,201,170.01	Carriage Bolt 1/4 - 20 x 1
D8	900,201,230.11	Carriage Bolt 1/2 - 20 x 1 1/4
D9	900,201,450.01	Carriage Bolt 1/2 - 20 x 1/2
E1a	901,100,430.01	Pop Rivet 1/4"
E1b	901,100,440.01	Drive Rivet 1/4"
E2	901,100,520.01	Pop Rivet 1/8"
E3	900,902,130.01	Christmas Tree Clip
E4	900,901,890.01	Tinnerman Clip
E5	900,401,090.01	Grommet, Black Rubber #97
E6	901,503,070.01	E Ring
E7	900,900,900.01	Retainer
E8	900,800,510.01	Elastic Stop Nut #8 - 32
F9	900,301,980.01	Phil Pan Shoulder Screw #8 - 18 x 7/16