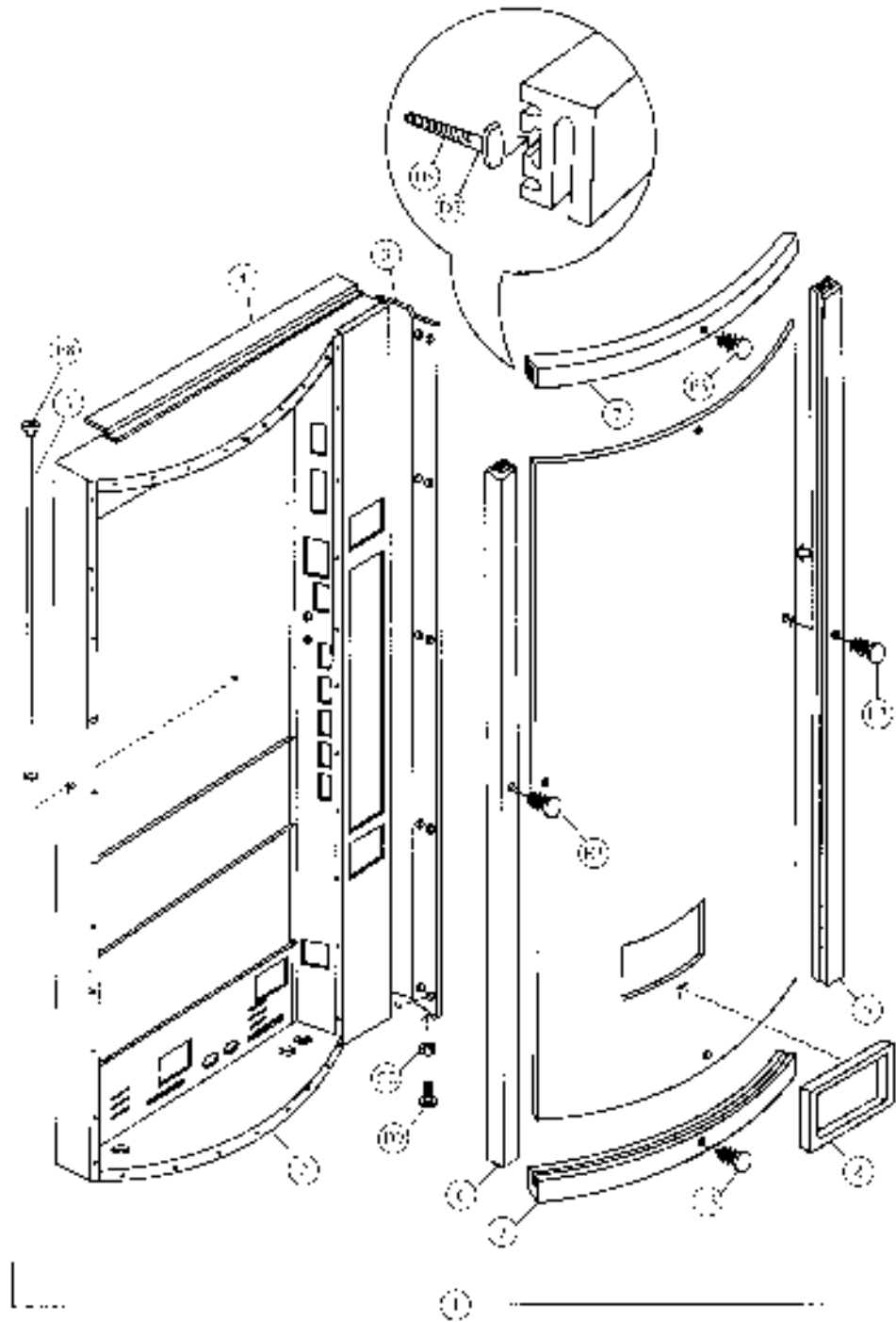




Pepsi (Magnum Cir.) DNCB 600MC

Dimensions	79 1/2" H x 57 1/2" W x 32" D (2010mm H x 540mm W x 813mm D)
Dimensions Less Door	79 1/2" H x 37 1/2" W x 29" D (2010mm H x 910mm W x 737mm D)
Approximate Weight	545 lbs. (248 kg)
Selections/Columns	3/8
Total 12 oz. (330ml) Cans Capacity/Verd	600/576
Column Capacity 12 oz. (330ml) Cans	5 Single Columns - 57 Each 3 Double Columns - 105 Each

Main Door - Exterior - Pepsi (Magnum Circular)

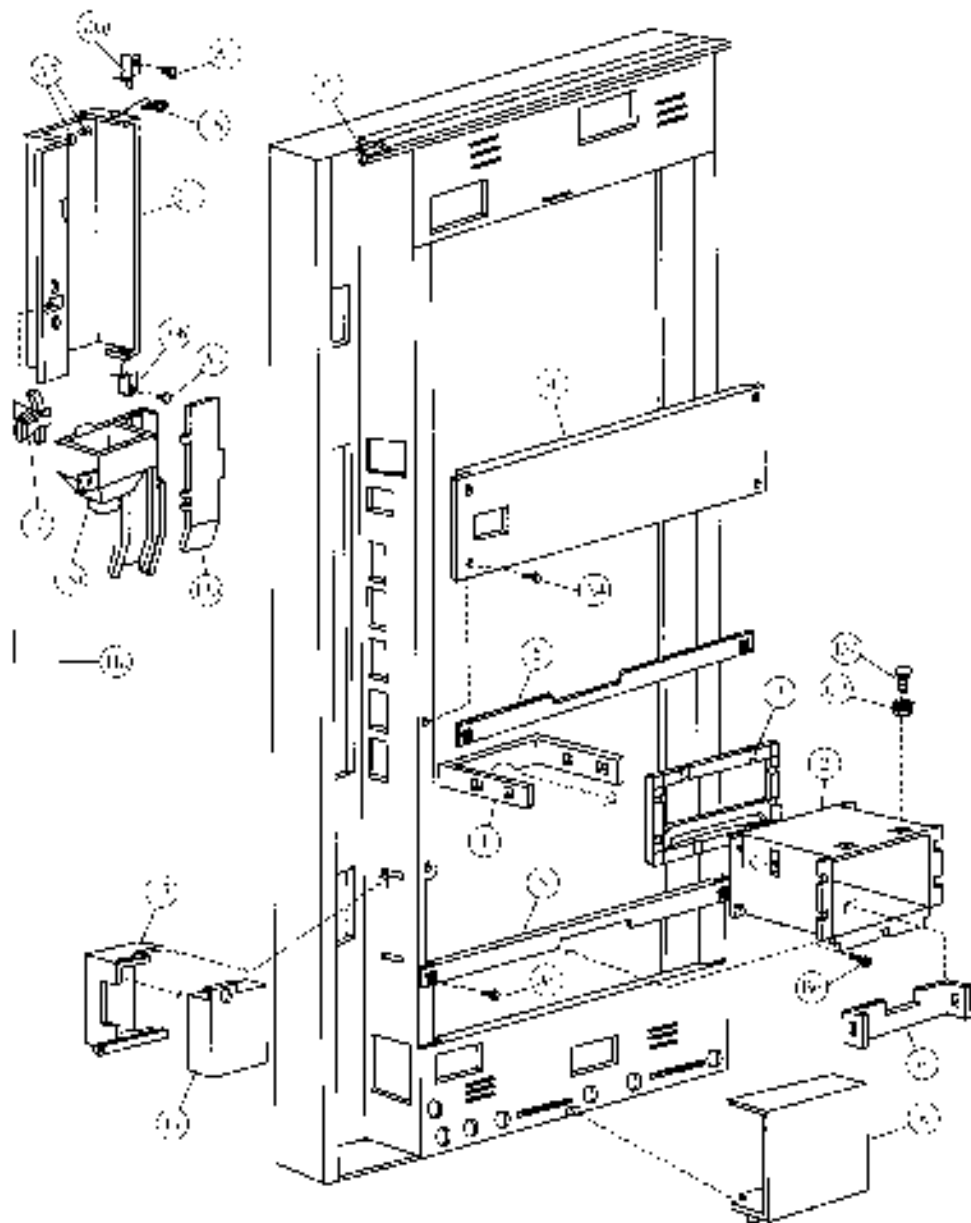


Main Door - Exterior - Pepsi (Magnum Circular)

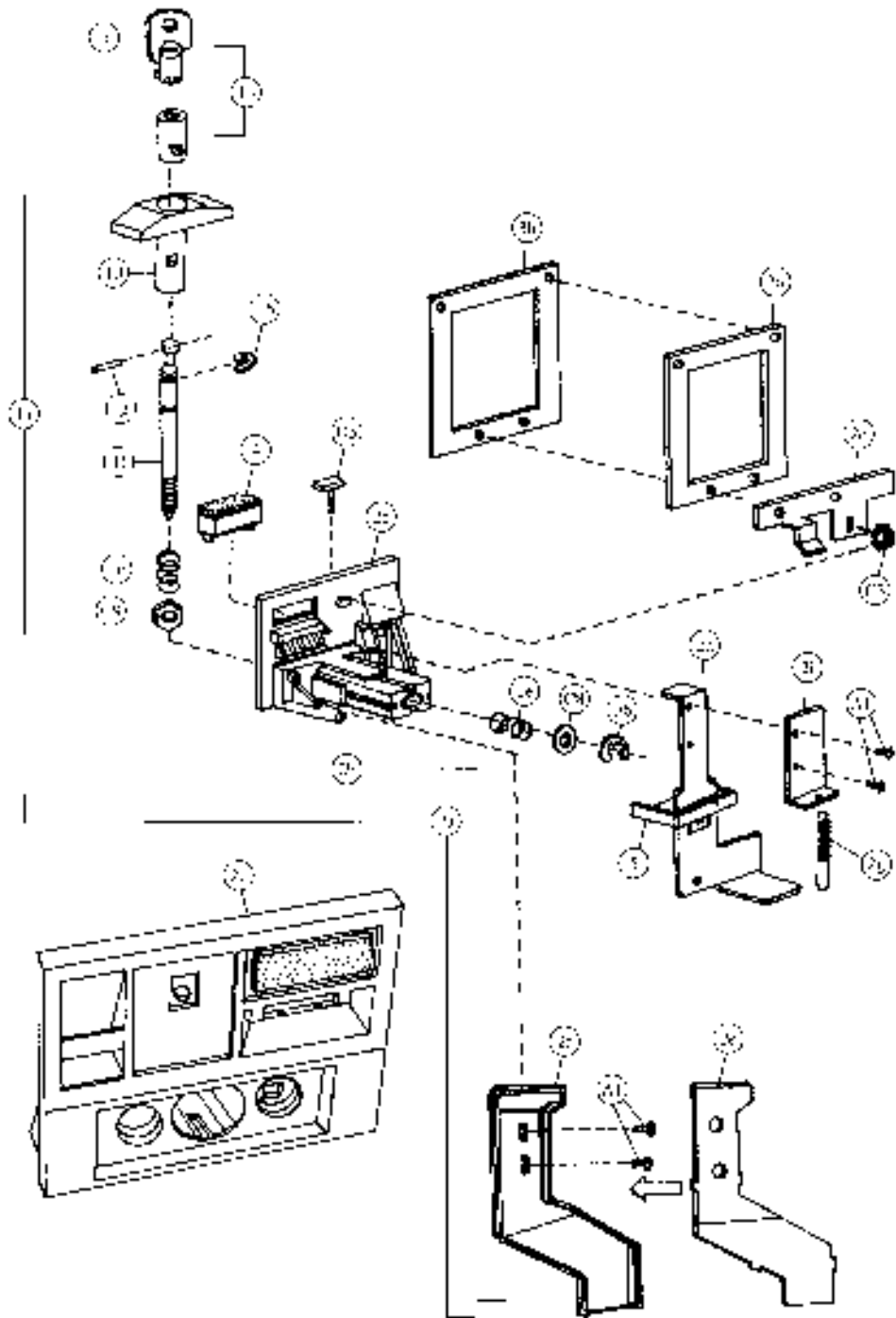
Item	Part Number	Part Name And Description
1	480,150,000.03	Main Door Assembly (specify graphics & hardware)
2	480,150,100.03	Main Door Weld Assembly
3	164,150,331.43	Protective Plate Door
4	164,151,142.33	Rain Guard (black)
5	900,502,510.11	Tie Rod
6	801,805,470.01	76 7/8" (1941mm) Vertical Trim LS & RS
7	801,805,470.01	29 7/8" (755mm) Horizontal Trim (top & bottom)
8	801,602,860.31	Delivery Port Trim (black)

E8	900,800,510.01	Elastic Stop Nut #8 - 32
D4	900,400,410.01	T Bolt #8 - 32 x 1 3/4
D5	900,400,350.31	T-Bolt #8 - 32 x 3/4 (46)
E3	900,902,130.01	Christmas Tree Clip (4)
D9	900,201,450.01	Carriage Bolt 3/8 - 20 x 1/2 (10)
C2	900,800,670.01	Keys Nut 1/2 - 20 (10)
C3	900,800,500.01	Keys Nut #8 - 32 (60)

Main Door - Interior - Pepsi (Magnum Circular)



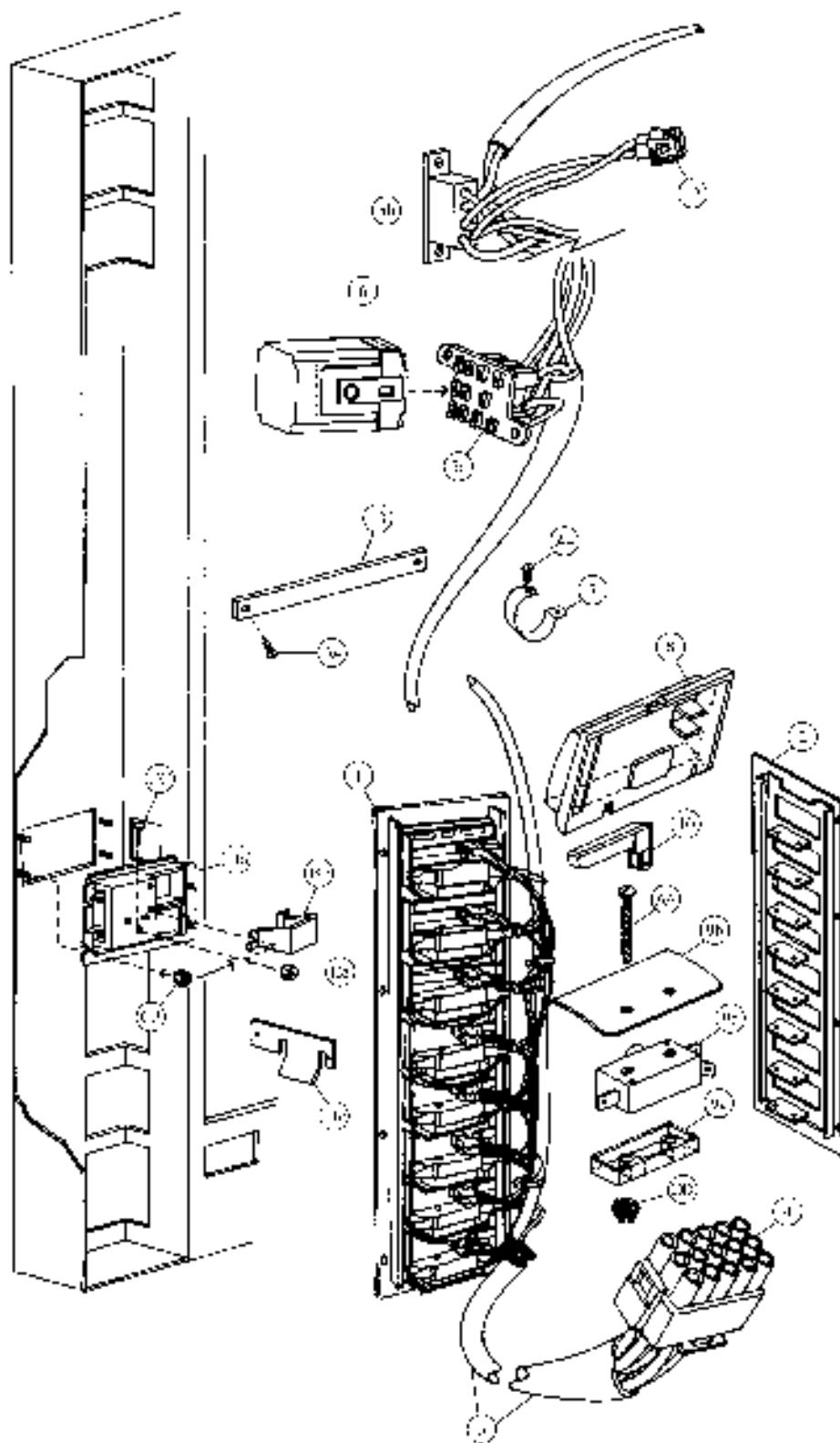
Pull-Out Handle & Coin Insert - Pepsi (Magnum Circular)



Pull-Out Handle & Coin Insert - Pepsi (Magnum Circular)

Item	Part Number	Part Name And Description	
1a	801,503,740.01	T-Handle Assembly	
1b	Specify key number	Lock with Two Keys	
1c	Specify key number	Key Only	
1d	801,505,730.01	Handle Only	
1e	901,507,650.01	Spring	
1	1255-6-11W	Stud	
1f	801,203,090.11	Cross Pin	
2	See list below	Coin Insert Assembly with T-Handle	
	480,150,800.04	Domestic (USA & Canada)	
2b	See list below	Coin Insert Assembly without T-Handle	
	480,150,500.03	Domestic (USA & Canada)	
	480,250,500.03	Export (all others except listed below)	
	480,450,500.03	Mexico	
	480,650,300.03	Argentina - Token	
2c	See list below	Coin Insert	
	801,201, 80,31	Domestic (USA & Canada)	
	801,207,190.41	Export (all others except listed below)	
	801,201,290.21	Mexico	
	801,201,350.11	Argentina - Token	
2d	506,010,020.13	Coin Insert Retainer	
2e	801,805,860.31	Coin Cante Cover	
2f	801,805,900.61	Coin Cante	
2g	901,700,630.11	Spring Extension	
2h	454,050,800.03	Coin Return Plunger Assembly	
2i	432,050,570.33	Plunger Bracket	
3	760,050,720.53	Validator Plate	
3b	802,061,110.21	Bracket Validator	(black)
4	See list below	Correct Change Lamp	
	804,700,180.3	English "Use Correct Change"	
	804,700,500.01	English, IIC Standard "Use Correct Change"	
	804,700,440.01	Spanish "Importe Exacto"	
	804,700,490.01	French "Faites L'Appoint"	
	801,700,460.01	Italian "Usare Monete Corrette"	
	804,700,470.01	Arabic "L'Atien Para Atinix"	
	804,700,480.01	German "Abgezahltes Geld Verwenden"	
	801,700,490.01	Portuguese "Inroduza Quanta Exacta"	
5	801,806,080.01	Drip Chute	
11	901,503,070.01	E Ring	
12	901,503,060.01	Flat Washer	
13	901,503,080.01	Hex Washer	
14	900,901,700.01	Sems-Screw #6 - 3/2	(4)
15	900,800,500.01	Keps Nut #8 - 3/2	(4)
16	900,100,350.31	T-Bolt #8 - 3/2 x 1/2	

Select Panel - Pepsi (Magnum Circular)

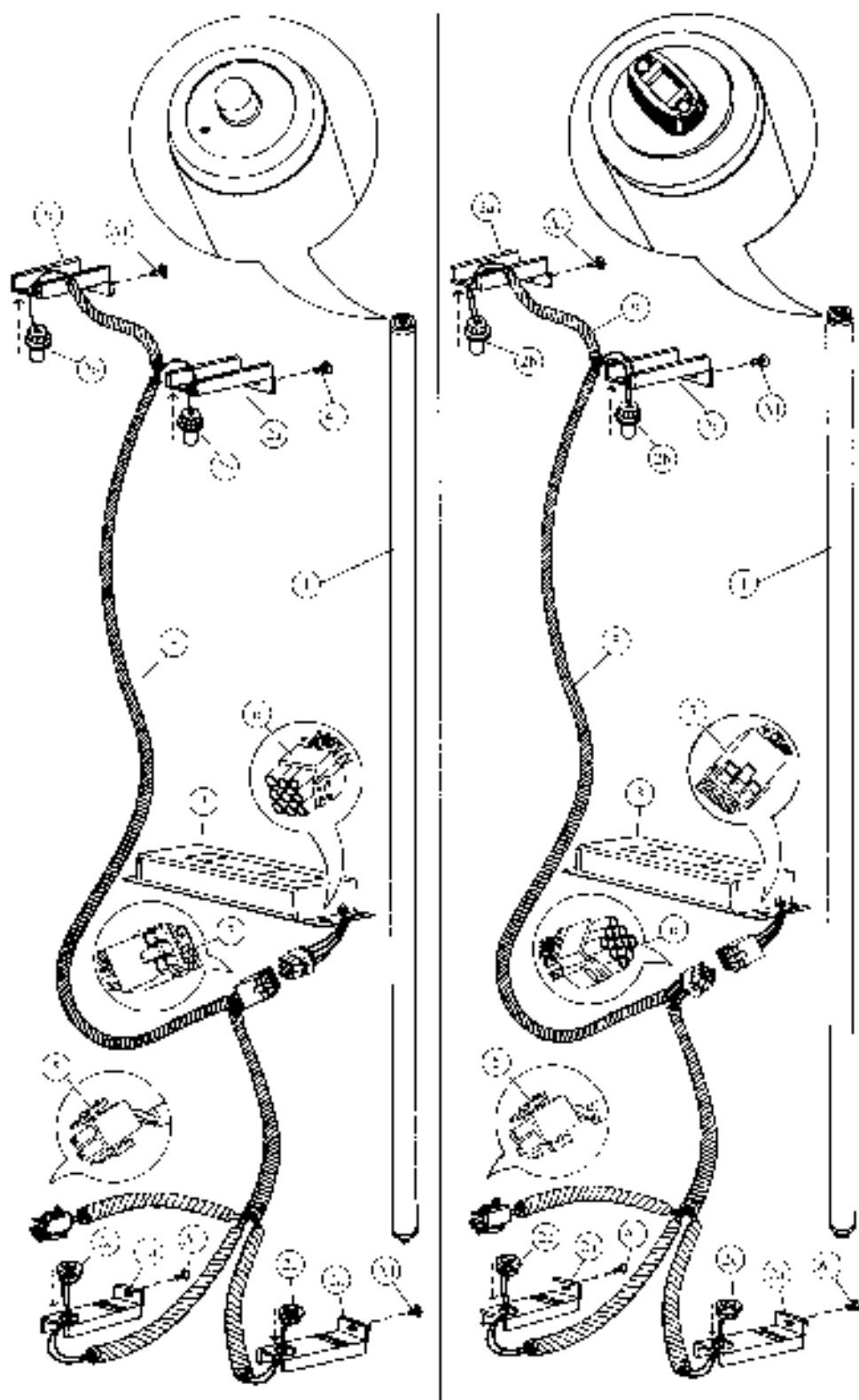


Select Panel - Pepsi (Magnum Circular)

Item	Part Number	Part Name And Description	
1	480,050,300.03	Select Panel Assembly	(specify harness)
2	480,050,200.03	Select Panel, w/a	
3	See list below	Door Harness	(8 select)
	804,903,690.11	Single Price & Single Price	IEC Standard
	804,904,170.11	Two Price & Two Price	- IEC Standard
	804,904,000.11	Four Price & Four Price	- IEC Standard
4	904,600,830.01	15-Way Plug	
5a	904,600,620.01	Socket, Relay	
5b	904,600,600.01	Socket, Coin Changer	
6	804,200,170.01	Verol Relay	(single price only)
7	901,901,890.01	1" Clamp	
8	801,805,110.21	Button	(small rectangle)
9a	801,804,540.21	Button Stop	
9b	801,804,620.11	Switch Shield & Spring, Mylar	
9c	804,100,510.21	Select Switch	(Unitrax A40)
10	804,700,210.01	Sold Out Lamp	
11	Indicate Flavor	Flavor Cards	(not shown)
12	904,600,700.01	2 Way Cap	
13	453,050,140.03	Door Strap	
14a	801,805,610.11	Change Cup & Opener Bezel	
14b	801,805,530.21	Change Cup	
14c	399,050,270.13	Opener Housing Reinforcement Plate	
15	901,800,190.01	Crown Puller	(not shown)
16	432,050,400.03	Crown Catcher	(not shown)
17	432,050,280.33	Crown Chute	(not shown)

D1	900,800,490.01	Keys Nut #6 - 32	(20)
C1	900,201,220.11	Machine Screw #8 - 32 x 3/4	
E8	900,800,510.01	Elastic Stop Nut #8 - 32	
A4	900,301,500.01	Screw, Phil Pan #8 - 18 x 1/2	(2)
A9	900,301,560.01	Sems Screw #8 - 32 x 3/4	(7)
D3	900,400,430.01	T-Bolt #8 - 32 x 1	(4)
C3	900,800,500.01	Keys Nut #8 - 32	(14)
AA	900,201,310.01	Screw #6 - 32 x 1 1/4	(20)

Lighting - Pepsi (Magnum Circular)



Slimline

High-Output

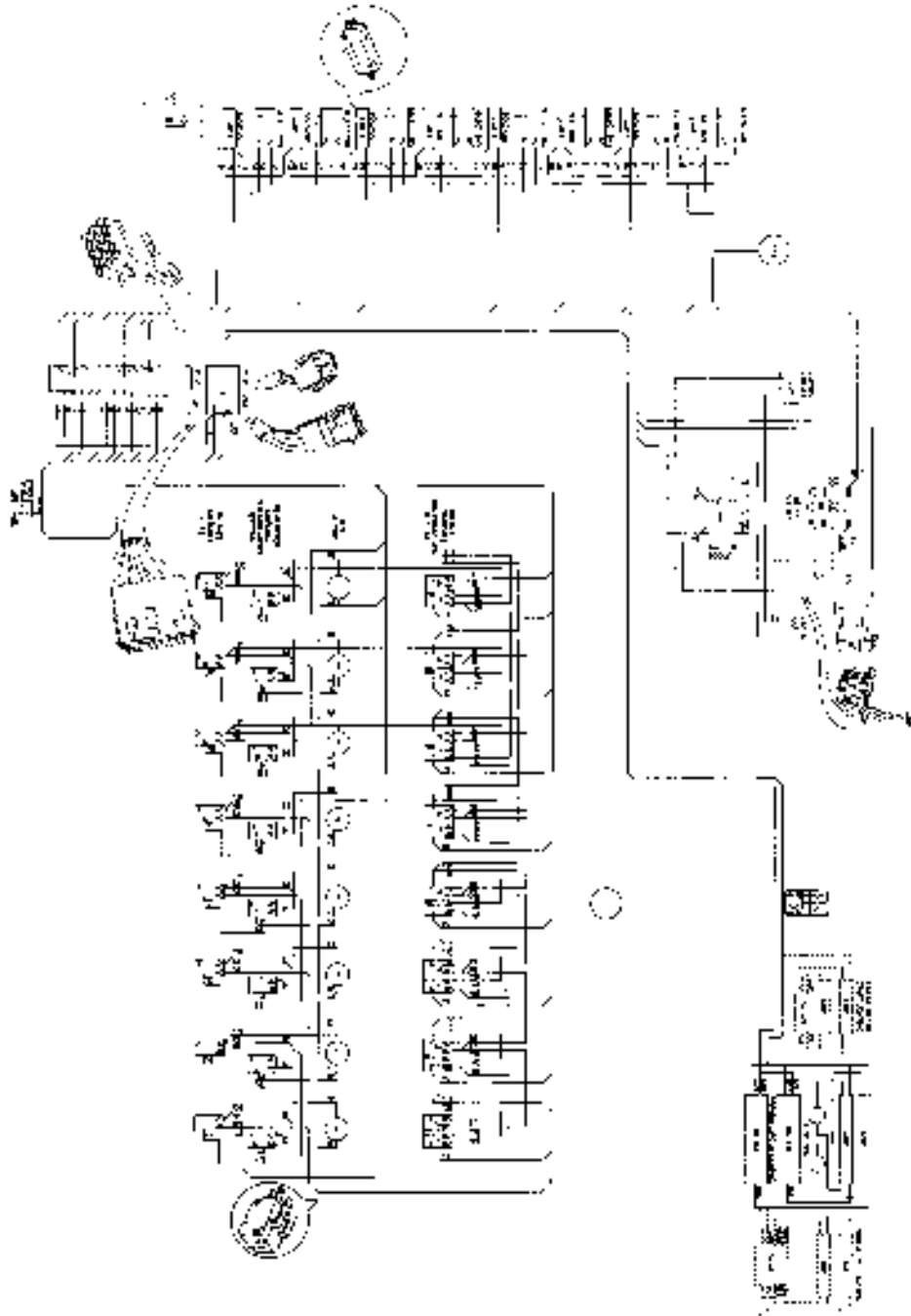
Lighting - Pepsi (Magnum Circular)

Item	Part Number	Part Name And Description
High Output Lighting		
1	804,700,360.01	Fluorescent Bulb F72T12/D/HO
2a	432,050,380.63	Door Bracket Lamp Socket
2b	804,901,990.01	Top Lamp Holders - 523
2c	804,902,000.01	Bottom Lamp Holders - 524
3	804,400,380.01	Plug-In Ballast, Advance #VSM/HO
4	904,800,520.01	Connector, Electrical (socketlock 557)(not shown)
5	904,600,710.01	2-Way Plug
6	904,600,670.01	9-Way Plug
7	904,600,660.01	9-Way Cap
8	804,904,510.21	Plug-In Ballast Harness, High Output
9	804,904,920.21	Lamp Fixture Jumper, High Output

Slimline Lighting		
1	804,700,310.01	Fluorescent Bulb - F72T12/DAYLT
2a	432,050,380.63	Door Bracket Lamp Socket
2b	804,902,020.01	Top Lamp Holders - 516
2c	804,902,030.01	Bottom Lamp Holders - 517
3	804,400,370.11	Plug-In Ballast, Slimline
4	904,800,520.01	Connector, Electrical (socketlock 557)(not shown)
5	904,600,710.01	2-Way Plug
6	904,600,670.01	9-Way Plug
7	904,600,660.01	9-Way Cap
8	804,904,600.51	Plug In Ballast Harness, Slimline

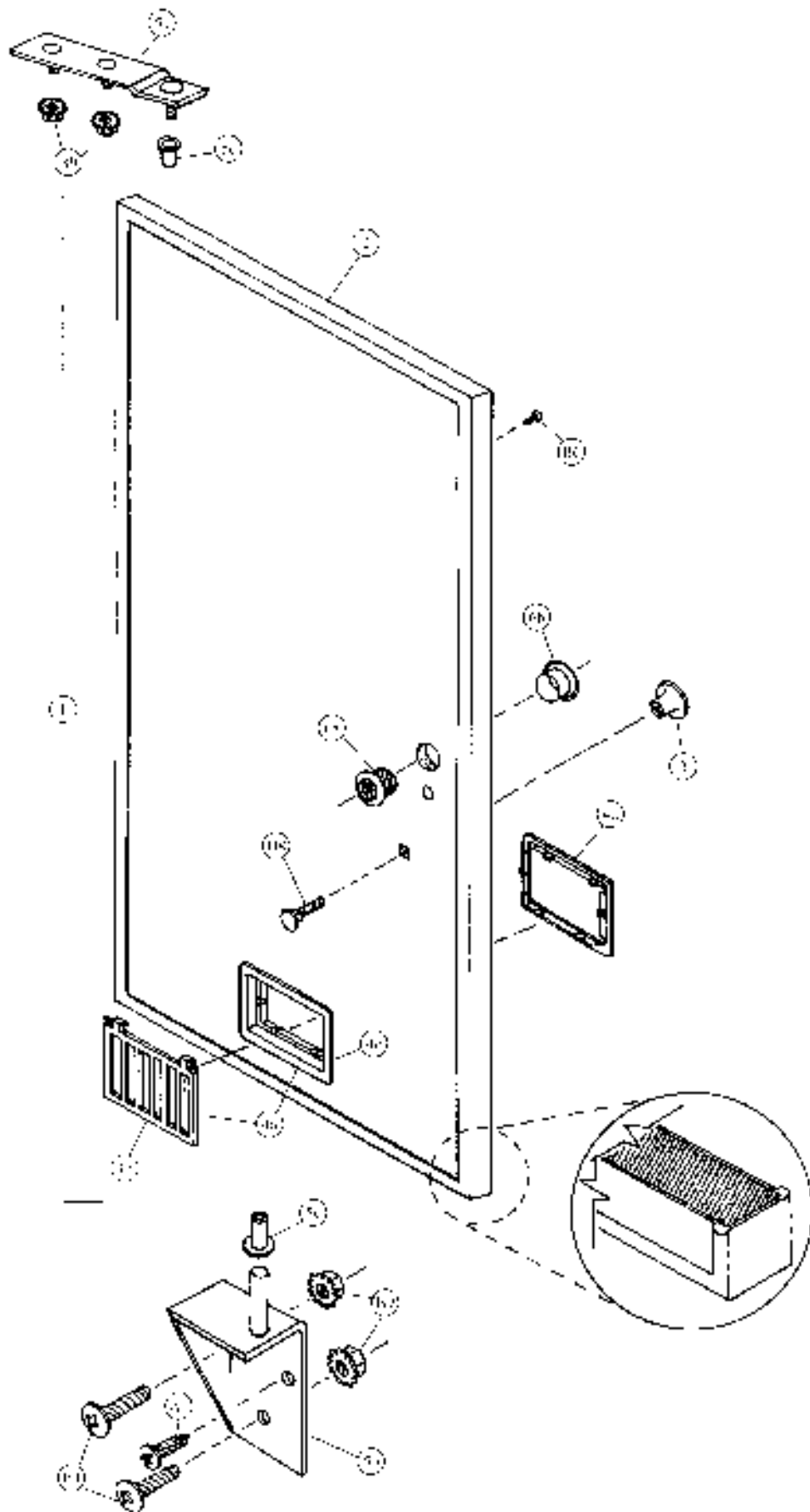
A1	900,301,700.01	Sheet Metal Screw #6 - 32 x 3/8	(1)
----	----------------	---------------------------------	-----

Wiring Harness - Pepsi (Magnum Circular)



Sample Diagram
8 Column & Dual Adaptable, Single Price

Inner Door - Pepsi (Magnum Circular)



Inner Door - Pepsi (Magnum Circular)

Item	Part Number	Part Name And Description
1	469,150,200.03	Inner Door Assembly
2	801,804,070.01	Inner Door Gasket
3	901,501,700.01	Knob
4a	801,806,920.01	Discharge Frame Assembly (includes 4b & 4c)
4b	801,806,600.01	Delivery Door
4c	801,806,550.01	Discharge Frame
4d	801,806,560.01	Retainer Frame Inner Door
5a	169,053,001.13	Inner Door Top Hinge, w/a
5b	169,051,101.63	Inner Door Bottom Hinge, w/a
5c	901,803,710.01	Plastic Bearing
6a	801,806,420.51	Bushing - Inner Door
6b	801,806,430.31	Bushing Retainer - Inner Door
7	804,902,610.01	4" Ground Wire (102mm) (not shown)

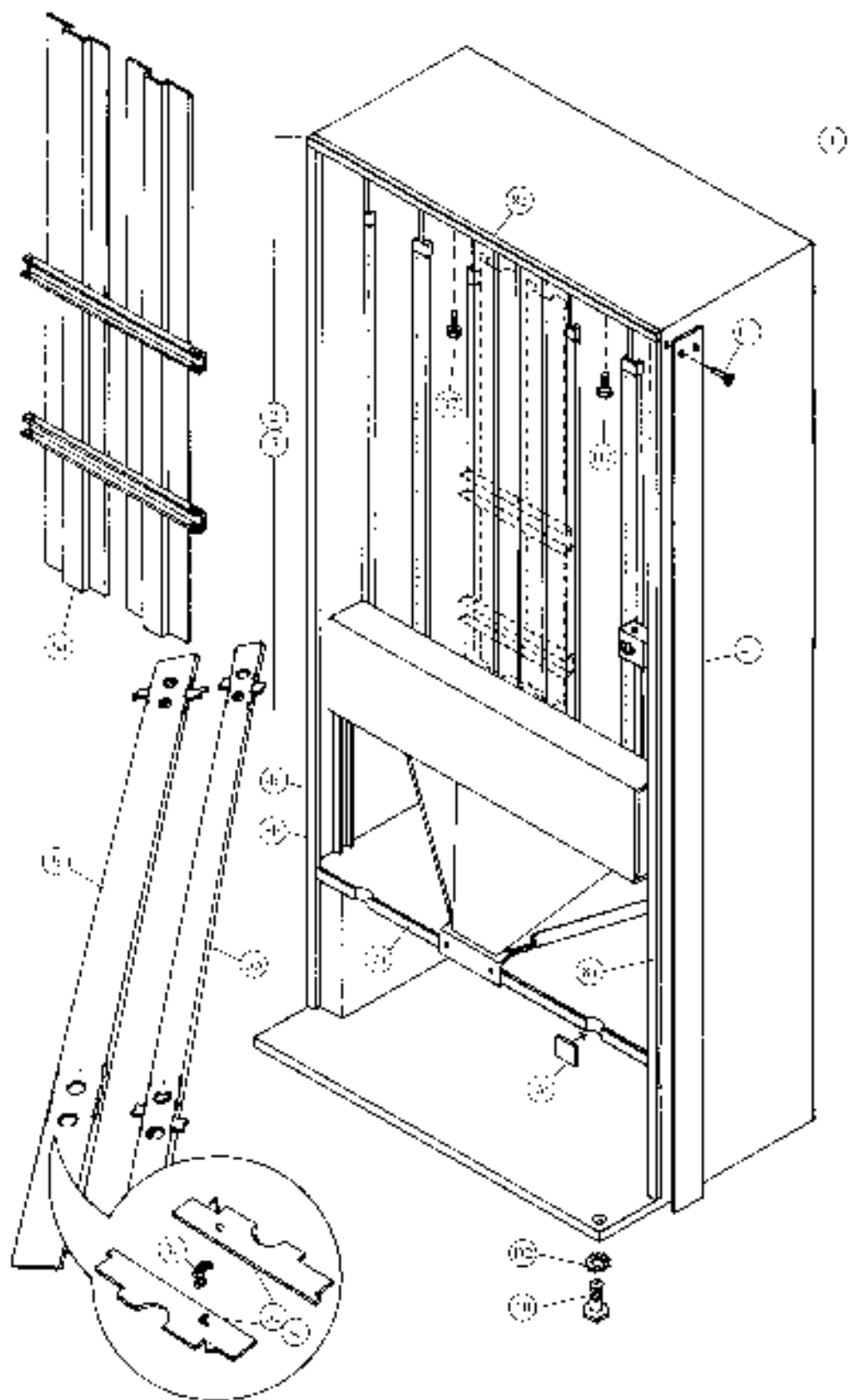
D8	900,201,230.11	Carriage Bolt $\frac{1}{4}$ - 20 x $1\frac{1}{4}$
B6	900,301,650.01	Screw, Phil Pan #8 - 18 x $\frac{1}{2}$ (with washer) (33)
A4	900,301,500.01	Screw, Phil Pan #8 - 18 x $\frac{1}{2}$ (without washer)
B9	900,800,650.01	Keeps Nut #10 - 32 (4)
B4	900,201,140.01	Screw, Machine Truss #10 - 32 x $\frac{1}{2}$ (2)

Two-Bar Linkage & Nut Retainer Housing - Pepsi (Magnum Cir.)

Item	Part Number	Part Name And Description
1	491,070,500.03	Linkage & Drive Arm Assembly
2a	900,901,940.01	Groove Pin, 1 1/8" (30mm)
2b	801,200,950.61	Drive Arm
3	801,201,030.11	Linkage Arm
4a	901,803,160.01	Top Nyliner
4b	901,804,770.01	Bottom Nyliner
5a	432,052,500.04	Traditional Nut Retainer Housing Assy.
5b	432,050,730.43	Traditional Nut Retainer Housing
5c	801,303,850.21	Traditional Cage Nut
5d	900,800,570.11	Square Nut, 1/2 - 13 N.C.
6a	432,052,600.04	Star Lock Nut Retainer Housing Assembly
6b	432,050,740.33	Star Lock Nut Retainer Housing
6c	432,050,760.03	Cage Nut Star Lock
6d	801,505,510.01	Latch Housing Star Lock

A1	900,301,960.01	Sems Screw #8 - 32 x 1/4
C6	900,700,600.01	Flat Washer, Delrin .040
A2	900,301,640.01	Sems Screw #8 - 32 x 1/2
B7	900,302,010.01	Sems Screw 1/2 - 20 x 3/4
A5	900,301,970.01	Sems Screw #8 - 32 x 1/4

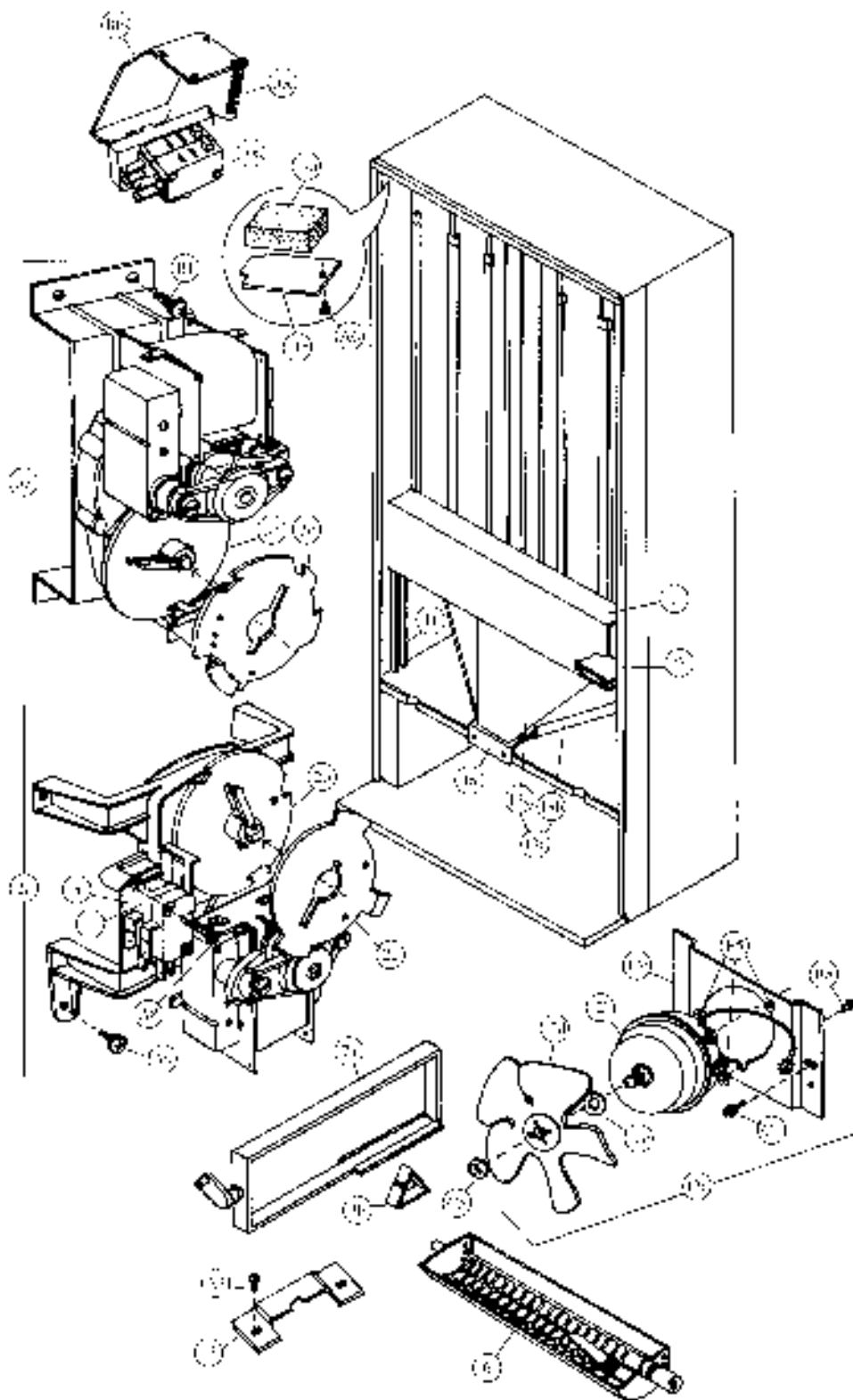
Cabinet Interior - Pepsi (Magnum Circular)



Cabinet Interior - Pepsi (Magnum Circular)

Item	Part Number	Part Name and Description	
1	497,000,700.03	Frame Cabinet Assembly	
2a	See list below	Stack Assembly	(specify harness)
	497,070,000.05	Single Price	
	497,170,500.03	Two/Three Price	
3a	497,071,100.03	Rear Spacer Assembly, Wide Column	
3b	197,001,200.05	Rear Spacer Assembly, Narrow Column	
4	361,670,110.02	Latch Finger, Long	
5a	361,000,120.03	Latch Finger, Short	
6c	901,700,690.01	Rear Spacer Spring	
7a	104,000,051.53	Protective Plate, LS Cabinet	(not shown)
7b	161,000,041.62	Protective Plate, RS Cabinet	
8	497,070,700.03	Stack Sub Assembly	
9a	497,070,700.03	Gate, w/o	
9b	491,071,000.03	Gate Hinge	(not shown)
9c	231,070,260.75	Gate Latch	(not shown)
9d	801,806,730.11	Mullion	
9e	801,303,830.01	Mullion Cover, Metal	(not shown)
9f	not applicable	Mullion Cover, Plastic	(obsolete)
9g	491,020,150.03	Breaker Strip, Right	
9h	491,020,160.03	Breaker Strip, Left	
9i	491,020,170.03	Breaker Strip, Top	
9j	361,000,100.02	Ballast Plate Assembly	(not shown)
	498,020,500.13	Ballast Plate Assembly - ITC Standard	(not shown)
9k	474,020,010.02	Ballast Plate	(not shown)
	498,050,010.03	Ballast Plate - IEC Standard	(not shown)
10	900,502,490.71	Leveling Leg, 3/4"	(4)
11	491,000,020.13(a)	Mounting Bracket, Rear	(not shown)
	500,100,020.23(b)	Mounting Bracket, Rear	(not shown)
12	437,010,020.13	Rodent Guard, Wide	(not shown)
	474,011,700.13	Rodent Guard, Wide - IEC Standard	(not shown)
13	804,400,360.01	Transformer, Base Isolation	(not shown)
14	804,902,170.11	Transformer, Jumper - IEC Standard	(not shown)
15	901,902,280.01	Heyco Wire Clip #3699	(not shown)
16a	900,501,590.01	Cable Clamp, Green	(not shown)
17	900,302,010.01	Self-Tapping Screw A - 20 x 5/8	
18a	901,100,130.01	Pop Rivet, A"	(10)
18b	900,301,730.21	Self-Tapping Screw 1/2 - 20 x 1	(4)
18c	901,100,130.01	Drive Rivet 1/2"	(15)
19	900,700,800.01	Lock Washer, 3/4"	
19a	901,100,520.01	Pop Rivet, 3/4"	

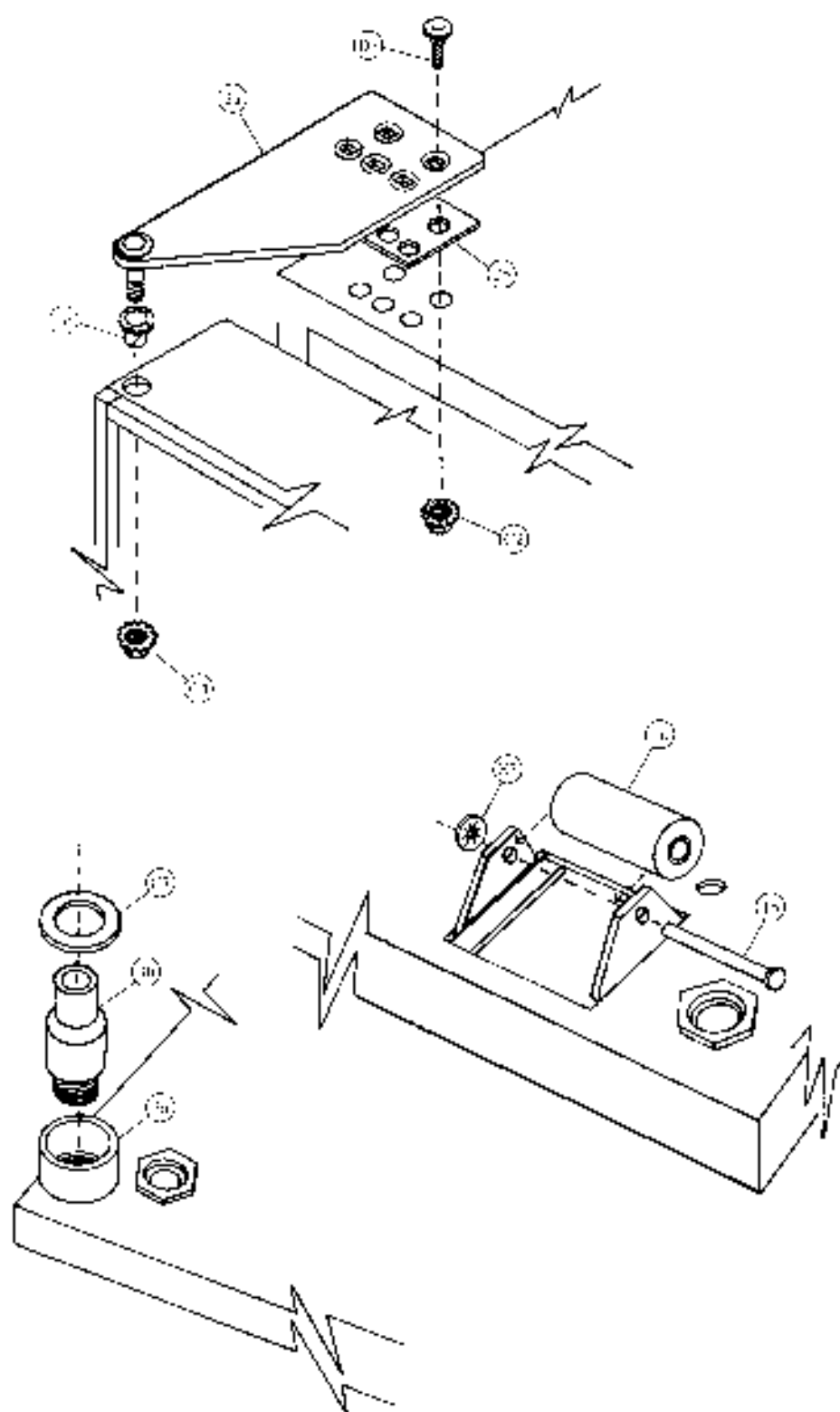
Cabinet & Vend Mechanism - Pepsi (Magnum Circular)



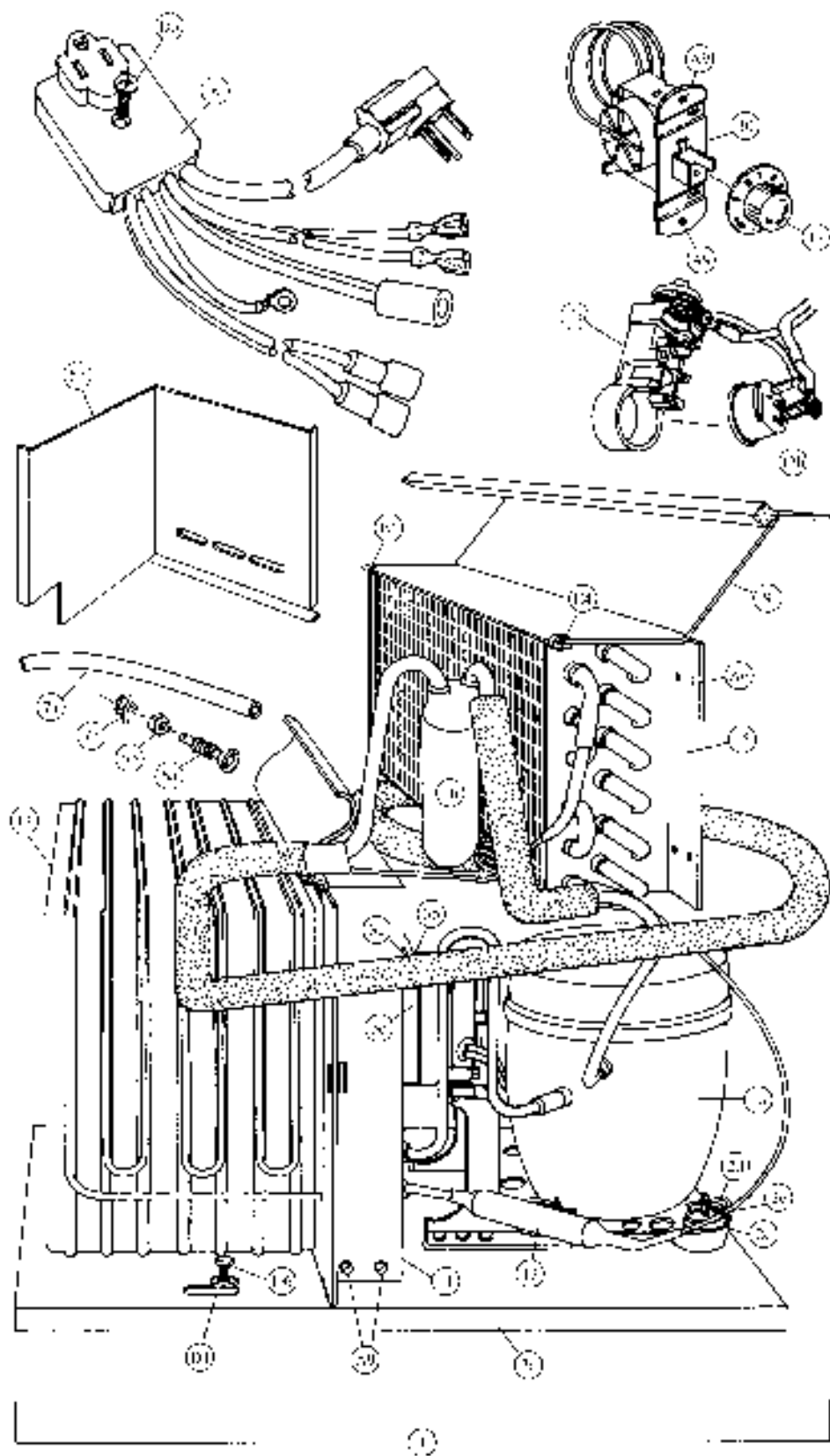
Cabinet & Vend Mechanism - Pepsi (Magnum Circular)

Item	Part Number	Part Name And Description
	491,070,050,33	Vend Motor Cover, Wide
	491,071,200,23	Vend Motor Cover, Wide - IEC Standard
21	See list below	Vend Motor Assembly, Wide
	497,370,800,01	Single Price
	497,170,100,01	Two/Four Price
21	801,806,410,01	Vend Cam, Green
22	801,806,410,11	Adjustable Cam, Gold
21a	See list below	Vend Motor Assembly, Narrow
	497,010,900,05	Single Price
	497,170,200,03	Two/Four Price
21b	801,806,180,21	Vend Cam, Brown
21c	801,806,610,21	Adjustable Cam, Brown
1	See list below	Vend Motor Switch
	804,100,600,01	Single Price (Double Switch)
	804,200,600,01	Single Price - IEC Standard (Double Switch)
	804,100,700,01	Two/Four Price - IEC Standard (Triple Switch)
2	905,801,370,1	Vend Motor Switch Insulator
6	801,201,230,01	Triple Depth Can Rotar
	801,201,211,61	Vend Rotar - Narrow Column
7a	801,201,020,41	Vend Oscillator - Wide Column
7b	801,200,050,31	Can Retainer Oscillator
8a	801,804,170,01	Nyloner, Rear (not shown)
8b	801,804,230,01	Nyloner, Front - Wide Column only (not shown)
9	267,370,370,41	Wire Shield
3	804,100,610,01	Sold Out Switch Assembly
	804,100,680,01	Sold Out Switch Assembly - IEC Standard
12a	432,070,190,13	Sold Out Paddle
12b	801,200,740,01	Sold Out Paddle Spring
1	491,020,070,01	Mechanism Support
12c	See list below	Evaporator Fan Motor Assembly
	491,000,200,03	115v
	491,130,400,03	220 - 240v
12d	See list below	Evaporator Fan Motor
	804,500,590,01	115v
	804,500,520,01	220 - 240v
2c	161,010,080,75	Evaporator Fan Motor Bracket
12e	801,305,270,11	Evaporator Fan Blade
2c	902,100,290,01	Spencer
13a	497,071,300,05	Can Chute Assembly (includes 13c & 13d)
13b	324,000,010,93	Can Cante
13c	324,000,020,53	Chute Liner (Kydex)
13a	803,300,770,01	Front Block
14b	169,000,130,83	Hinge Pocket Cover
15	176,072,110,13	Journal
16	172,070,530,02	Support, Can/Beats Chute
61	900,301,510,02	Screw, Flat Pan Tapping
63	900,301,830,01	Selfs Screw #10 - 32 x 3/4 (8)
66	900,600,230,02	Sheet Metal Screw, Type "A"
68	900,301,600,02	Hex Tap Screw #8 - 32 x 3/4 (12)
68	900,303,820,01	Vend Motor Screw #4 x 1/4 - Double Switch (15)
	900,301,610,01	Vend Motor Screw #4 x 1/4 - Triple Switch
69	900,301,560,01	Selfs Screw #8 - 32 x 3/4 (28)
135	900,401,090,01	Conomet, Black Rubber #97 (4)
135	900,800,850,01	Speed Nut
111	900,301,850,01	Selfs Screw #8 - 32 x 3/4

Hinges and Rollers - Pepsi (Magnum Circular)



Refrigeration - Pepsi (Magnum Circular)



Refrigeration - Pepsi (Magnum Circular)

Item	Part Number	Part Name And Description	
1	Provide information listed	Complete Refrigeration System Indicate unit model number from serial plate on unit base plate, refrigerant, voltage/hertz and country.	
2	Provide information listed	Compressor S 1/2 HP Indicate compressor manufacturer, voltage/hertz, refrigerant and complete manufacturer's model number.	
2h	See list below 904,900,611.01	Compressor Lead Harness	(not shown)
	804,905,320.01	All, except IEC Standard	
		220-240v/50hz, IEC Standard	
3	902,000,500.01	Compressor Mounting Grommet	
3d	900,901,580.01	Compressor Mounting Retainer Clip	
3e	901,803,910.01	Compressor Grommet Plug, Plastic	
4	497,020,060.03	Condenser Base Plate	
4h	See list below 491,040,200.03	Condenser Fan Motor Assembly	
	491,140,300.03	115v	
		220-240v	
4e	See list below 804,500,670.01	Condenser Fan Motor	
	804,500,700.01	115v	
		220-240v	
4d	803,103,370.02	Fan Blade	(not shown)
4	491,000,100.23	Drain Pan Assembly	(not shown)
4i	801,804,240.51	Drain Pan, Plastic	(not shown)
4j	905,800,600.01	Straker, Fiberglass	(14) (not shown)
5a	491,040,050.73	Condenser Baffle, Right Side	(not shown)
5b	497,040,060.13	Condenser Baffle, Rear	
6a	801,800,050.11	Drain Tube	
6b	800,901,790.01	Drain Tube Nut	
7a	801,800,500.01	Drain Hose	
7b	900,901,000.01	Drain Hose Clamp	
8	See listing below 904,900,220.01 (a)	Main Wiring Harness	
	804,905,480.01 (b)	United States	(shown)
	804,905,490.01 (c)	Acornlin, IEC 335	
	804,905,490.01 (e)	United Kingdom, IEC 335	
	804,902,160.21 (d)	Europe	
	804,903,160.01 (f)	Mexico	
	804,905,450.01 (g)	Italy	
	804,905,470.01 (g)	Danish, IEC 335	
	804,905,360.01 (h)	Germany, with Splashwater Protector	
9	226,040,030.05	Top Fan Housing, Long	
	211,040,030.13	Top Fan Housing, Short	
10	802,800,110.01	Temperature Control	
11	491,040,110.13	Fan Shroud Condenser	
12a	Provide information listed	Relay: Indicate compressor manufacturer, model # and voltage/hz	
12b	Provide information listed	Overload: Indicate compressor manufacturer, model # and voltage/hz	
13	802,401,230.01	Dryer	
14	802,600,540.01	Condenser	
15	802,600,500.01	Evaporator, Long	
	802,600,320.51	Evaporator, Short	
16	802,400,160.01	Accumulator	
17	802,800,420.01	Knob, Temperature Control	
20	900,600,230.02	Sheet Metal Screw, Type "A" (not shown)	(2)
20	900,600,260.01	Seals Screw #3 - 32 x 3/8	(8)
23	900,300,810.01	Screw, #10 - 32 x 1/2	
24	900,700,360.01	Lockwasher, #8	(2)
25	900,901,900.01	Tinnerman Clip	(2)
26	900,400,440.01	Refrigeration Bolt #8 - 16 x 1	(2)

When Ordering Parts, Indicate Model # And Serial # Of Vendor.
All Parts Numbers And Prices Are Subject To Change Without Notice

Signs and Decals - Pepsi (Magnum Circular)



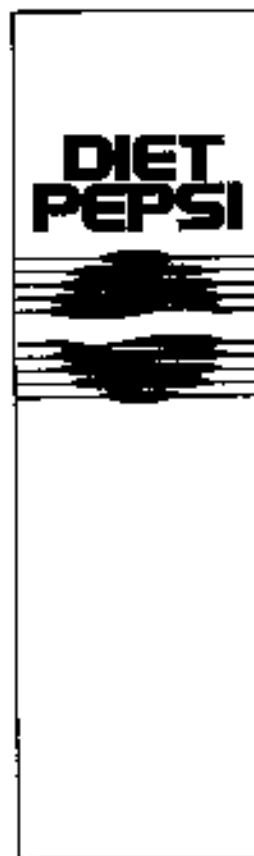
①



②

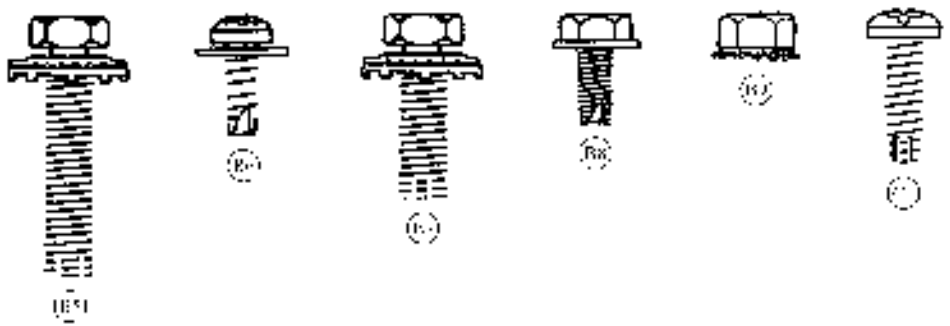
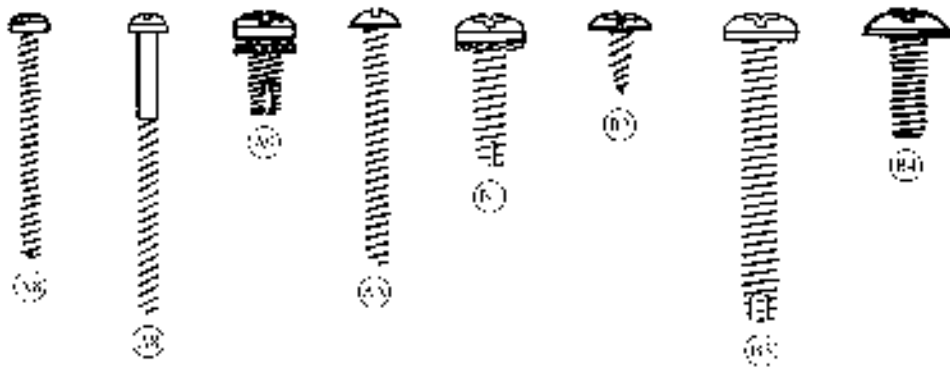


③



④

Screws & Nuts - Pepsi (Magnum Circular)



Washers, Bolts & Misc. - Pepsi (Magnum Circular)

