

Technical

Manual

Pepsi-Cola High Visibility Vender

P-SERIES HVV



Models DN552P & DN756P Beginning Production Run 6925CB

Manufactured by

Dixie-Narco, Inc.

Dixie-Narco, Inc.
P.O. Drawer 719
Williston, SC 29853-0719
803-266-5001
fax: 803-266-5049
Visit us on the web: www.dixienarco.com

803,903,770.31

Table of Contents

GENERAL INFORMATION	
Application.....	4
Vender Safety Precautions.....	4
Product Identification.....	4
Physical Characteristics.....	4
Receiving Inspection.....	4
A INSTALLATION & SETUP	
Unpacking the Vender.....	5
Electric Power Requirements.....	5
Ground the Vender.....	5
Pepsi Electronic Door Lock.....	5 - 6
Placing the Vender on Location.....	6
Level the Vender.....	6
Space the Vender.....	6
Coin Changers and Other Accessories.....	7
Loading the Change Tubes.....	7
Loading Product.....	7
Initial Loading.....	7
B PROGRAMMING	
Normal/Service Mode.....	8
Historical Data.....	9
Interval Data – Resettable Data.....	9
Set Price.....	9
Cash Settings.....	9 - 10
User Menu.....	11 - 20
Diagnostics Menu.....	20 – 21
Quick Reference Prompts.....	22
Default Space-To-Sales Setting.....	23
Set Vender Type.....	24
C GENERAL MAINTENANCE	
Power.....	25
Cleaning.....	25
Refrigeration Condenser.....	25
Coin Acceptor.....	25
Lubricating the Vender.....	25
EPROM Replacement.....	26 - 27
D MAJOR COMPONENT DESCRIPTION	
Electrical.....	28
Refrigeration.....	28
SBC Control Board.....	29
E TROUBLESHOOTING FLOWCHARTS	
All Coins are Rejected.....	30
All Bills are Rejected.....	31
Incorrect Change Dispensed.....	32
Selection Will Not Vend.....	33
Ice / Frost on Evaporator.....	34
Compressor Runs Continuously.....	34
Compressor Will Not Start.....	35
Machine Not Cooling.....	36
Can't Enter the Menu or Diagnostics.....	37
Lights Are Not On.....	38
One or More Motors Run When Main Door is Closed.....	39
Sold Out.....	40
The Display is Dead.....	41
Can't Read the Display.....	42

Table of Contents

F WIRING DIAGRAMS AND SCHEMATICS
Figure 1 – SBC Wiring Diagram 43-44
Figure 2 – Compressor Wiring Diagram 45

G PARTS LIST
MAIN DOOR EXTERIOR 46-47
MAIN DOOR INTERIOR (A) 48-49
MAIN DOOR INTERIOR (B) 50
SELECT PANEL 51
T8 LIGHTING 52
ELECTRONIC COMPONENTS 53-54
INNER DOOR 55-56
CABINET AND VEND MECHANISM (SECTION 1) 57
CABINET AND VEND MECHANISM (SECTION 2) 58-61
CABINET AND VEND MECHANISM (SECTION 3) 62
CHUTE ASSEMBLY 63
EVAPORATOR FAN ASSEMBLY 64-65
POWER DISTRIBUTION BOX 66
HARNESSING 67
REFRIGERATION SYSTEM 68-69
MISCELLANEOUS LABELS 70
SIGNS AND DECALS 71
SCREWS & NUTS 72-73
WASHERS, BOLTS, & MISC. HARDWARE 74-76

\

APPLICATION

This information applies to P-Series venders manufactured the third quarter 2003 which have significant differences in programming and parts content from previous venders. To order parts or information pertaining to this vender, please contact Dixie Narco.

The second alpha-character identifies the year:

- B = 2003
- C = 2004
- D = 2005

VENDER SAFETY PRECAUTIONS

Please read this manual in its entirety. This service information is intended to be used by a qualified service technician, who is familiar with proper and safe procedures to be followed when repairing, replacing, or adjusting any Dixie-Narco vender components. All repairs should be performed by a qualified service technician who is equipped with the proper tools and replacement components, using genuine Dixie-Narco factory parts.

REPAIRS AND/OR SERVICING ATTEMPTED BY UNINFORMED PERSONS CAN RESULT IN HAZARDS DEVELOPING DUE TO IMPROPER ASSEMBLY OR ADJUSTMENTS WHILE PERFORMING SUCH REPAIRS. PERSONS NOT HAVING A PROPER BACKGROUND MAY SUBJECT THEMSELVES TO THE RISK OF INJURY OR ELECTRICAL SHOCK WHICH CAN BE SERIOUS OR EVEN FATAL.



PRODUCT IDENTIFICATION

First production of P-Series August 2003

The production date of Dixie-Narco products is determined by the date code incorporated in the serial number.

The vender serial number takes the form yyyzz-xxxx. The last 4 digits (xxxx) identify the specific vender. The first 4 digits (yyyy) identify the manufacturing run that the vender was built in. The two alpha characters (zz) identify the quarter and the year the vender was built. The first alpha-character identifies the quarter.

- A = 1st quarter
- B = 2nd quarter
- C = 3rd quarter
- D = 4th quarter

PHYSICAL CHARACTERISTICS

	552P	756P
HEIGHT	72"	72"
WIDTH	28"	36"
DEPTH	33.5"	33.5"
DEPTH WITH VALIDATOR	N/A	N/A
SHIPPING WEIGHT	600 lbs.	788 lbs.
Loaded Weight 4 Deep Cans	1134 lbs	lbs

Model	# of Selections	# of Wide Columns	# of Narrow Columns
552P	6	2	4
756P	12	3	5

RECEIVING INSPECTION

Upon receipt, inspect the vender for any shipping damage. If there is any damage have the driver note the damage on the bill of lading and notify Dixie-Narco.

Although the terms of sale are FOB shipping point, which requires the consignee to originate shipping damage claims, Dixie-arco will gladly help if you must file a claim.

The Dixie-Narco P-Series vender is designed utilizing the latest technology.

UNPACKING THE VENDERS

Remove the stretch wrap and top cover from the vender. Product cards are installed in the select buttons.



DO NOT STORE THE VENDER OUTSIDE WITH THE STRETCH WRAP ON. THIS COULD CAUSE THE STRETCH WRAP TO BOND TO THE VENDER'S SURFACE, WHICH COULD DAMAGE THE FINISH.

Remove the shipping boards from the bottom of the vender. The shipping boards are attached by the leveling legs. To avoid unnecessary damage to the leveling legs or base, remove the shipping boards by using a 1½" "socket type" wrench to unscrew the leveling legs. Be sure to replace the legs after removing the shipping boards.

WARNING

TO AVOID THE POSSIBILITY OF A FIRE HAZARD, DO NOT STORE ANYTHING OR ALLOW DEBRIS OF ANY KIND TO ACCUMULATE IN THE BOTTOM OF THE DOOR, IN AND AROUND THE REFRIGERATION COMPARTMENT OF THE CABINET, OR IN FRONT OF THE EVAPORATOR AND CONDENSER COILS.



ELECTRIC POWER NEEDED

Refer to the cabinet serial number plate to determine the proper voltage and frequency the machine requires (domestically this requirement is 120 Volts, 60 Hertz). The cabinet serial plate also indicates the Amperage of the vender. The vender must be plugged into a properly rated, single phase alternating current outlet with its own circuit protection (fuse/circuit breaker).

DO NOT USE AN EXTENSION CORD.

GROUND THE VENDER

The vender is equipped with a three-wire power supply cord and **MUST** be plugged in a properly grounded outlet.

DO NOT REMOVE THE GROUND PIN OR IN ANY WAY BYPASS, MODIFY, DEFEAT, OR DESTROY THE GROUNDING SYSTEM OF THE VENDER.

If the outlet will not accept the power cord plug, contact an electrician to install a proper AC outlet.



FAILURE TO COMPLY WITH THESE INSTRUCTIONS MAY SUBJECT THE USER TO THE RISK OF INJURY OR ELECTRICAL SHOCK WHICH CAN BE SERIOUS OR FATAL.

ELECTRONIC DOOR LOCK (OPTION)

The electronic lock when provided in the vender consists of a door mounted, motor driven bayonet (shaft) system, a cabinet mounted nut receptacle switch system, an infrared controlled CPU, and a remote control key (FOB). The design is modular and allows for easy field service.

The electronic remote key (FOB) features a rolling code system which cannot be decoded if it is lost or stolen. After the vender has been unlocked, a new key can be programmed into it any number of times. If a key is lost or stolen, it is recommended you change the lock code in the field as soon as possible. Changing the lock code requires a new key and pressing the LEARN button inside the vender. The lock does not need to be changed for re-keying.

Important: For security reasons all Electronic Door Lock Venders are shipped less keys. Customers will need to contact the Electronic Door Lock manufacturer to order keys.

A power bypass connector, located in the product delivery port, allows auxiliary power to be applied via a battery pack to the electronic lock in the event that power is not available or there has been a failure of the internal power supply. In the event of an emergency, battery power is applied to the connector and the door can be opened and closed using the FOB.

The electronics use an infrared transmission system, which functions similar to a television remote control. The transmission signal is line-of-sight, which requires you to aim the remote at a specific place at close range to prevent the accidental opening of several venders at the same time.

**TO OPEN THE ELECTRONIC DOOR LOCK:
(OPTION)**

1. Plug the vender into a properly powered outlet.
2. Hold the key FOB 0 to 3 inches to the right side of select button #10 in 12 select or elect button #5 in 6 select and press the button on the key FOB.

Note: The wide end of the FOB should face the door.

3. The lock will begin releasing the door. The display will indicate **Door opening**. After the motor has stopped running, you can pull the door open. The display will indicate: **Door unlocked**.

TO CLOSE THE ELECTRONIC DOOR LOCK:

CAUTION: DO NOT SLAM THE DOOR CLOSED.

Slamming the door closed can damage the electronic locking device.

1. Push the door to the cabinet until the lock motor starts. The display will indicate: **Door closing**.
2. Continue to push the door for approximately 2 to 3 seconds after the lock motor starts. The lock will pull the door closed tightly.
3. When the lock motor stops the door will be locked and the display will indicate: **Door locked**.

Before leaving the vender, ensure that the door is locked.

The electronic door lock assembly is supplied by Tri Teq Lock and Security. Dixie-Narco, Inc. does not carry parts for the Tri Teq Electronic Door Lock. For parts and assistance, please contact:

Tri Teq
701 Gullo Ave.
Elk Grove Village, IL 60007
Tel: 847-640-7002
Fax: 847-640-7008
Email: gary@triteqlock.com

PLACING THE VENDER ON LOCATION

!! CAUTION !!



DO NOT TRANSPORT THE VENDER TO OR FROM THE LOCATION LOADED WITH PRODUCT. DAMAGE TO THE VENDER MAY RESULT.

The vender must be located on a solid, flat, and level surface. Ensure the flooring can bear the

weight of a fully loaded vender (approximately 1134 lbs.) The vender must be positioned close enough to an electrical outlet that an extension cord is not required. If the machine will be subject to user misuse or vandalism, it is recommended that the vender be secured to the floor or wall as described in Dixie-Narco Technical Bulletin 344. Call the Dixie-Narco Technical Service Department or your Dixie-Narco Representative for assistance.

LEVEL THE VENDER

When the vender is level, the door can be opened to any position and it will not move by itself. Open the door to several different positions before deciding the vender is level. A carpenter's level will help verify the machine is level.

Make sure that all leveling legs are in contact with the floor. If you cannot level the vender in its current location, select another location. DO NOT place any objects under the machine.

DANGER

THE VENDER MUST BE PROPERLY LOCATED AND LEVELED. IF THE MACHINE WILL BE SUBJECT TO USER MISUSE OR VANDALISM IT IS RECOMMENDED THAT THE VENDER BE SECURED TO THE FLOOR OR WALL AS DESCRIBED IN DIXIE-NARCO TECHNICAL BULLETIN 344 TO MINIMIZE THE RISK OF INJURY OR DEATH FROM TIPPING. CALL THE DIXIE-NARCO TECHNICAL SERVICE DEPARTMENT OR YOUR DIXIE-NARCO REPRESENTATIVE FOR ASSISTANCE.



SPACE THE VENDER

Do not block the rear of the vender. Keep the vender 4 inches (10 cm) from the wall to ensure adequate airflow to the condenser and compressor. At the front of the vender, make sure that nothing obstructs the air intake at the bottom of the main door. At the rear of the vender, make sure nothing obstructs the air exhaust at the bottom of the cabinet.

WARNING

TO AVOID THE POSSIBILITY OF A FIRE HAZARD, DO NOT STORE ANYTHING OR ALLOW DEBRIS OF ANY KIND TO ACCUMULATE IN THE BOTTOM OF THE DOOR, IN AND AROUND THE REFRIGERATION COMPARTMENT OF THE CABINET, OR IN FRONT OF THE EVAPORATOR AND CONDENSER COILS.



COIN CHANGERS & OTHER ACCESSORIES

The vender must have an MDB coin changer installed and can have an MDB bill acceptor installed. If the MDB coin changer and other MDB accessories are not factory installed, refer to the instructions received from the manufacturer of the MDB coin changer and other MDB accessories for proper set-up and installation.

The vender will support the following MDB coin changers:

- Multi-Drop Coin Mech (Domestic)
 - Coinco 9302GX
 - Coinco USQ G700 Series
 - Conlux USLZ-101
 - Conlux CCM5G
 - Mars 4510
 - Mars 6512

The vender will support the following MDB bill validators:

- Multi-Drop Bill Validators (Domestic)
 - Coinco BA30B, BA50, MAG30, MAG50
 - Mars VN2512, VN2502, VN2312
 - Conlux NBM-3000 Series, NBU-2111-12
 - Ardac 5500 Series

The vender will support the following MDB card readers:

At publication, card reader dispositions were not available. Contact card reader manufacturer for proper installation and setup.

LOADING CHANGE TUBES

Open the main door and enter the “FILL CM” mode in the “CASH SET” sub-menu in Programming (see Section B – Programming).

Load the coin mechanism with coins by inserting coins in the coin mech’s separator. The display will show the total value of coins as they are inserted.

Note: A low coin level in the coin tubes will interfere with operation of the bill validator.

For additional information about coin mechanisms, refer to the specific manufacturer’s instructions.

Loading Product

The P-Series Vender is designed to vend a wide range of packages.

All P-Series Venders are shipped ready to vend packages according to customers orders. To vend an alternative package in the P-Series vender, contact Dixie Narco Technical Service Dept. or your Representative For Assistance.

INITIAL LOADING

To ensure proper vending, make sure wide columns all set to vend the proper packages. When loading a wide column, the first row of packages should be loaded on the bottom bar of the oscillator. The second row of packages must be loaded on the top bar of the oscillator. Always load complete rows; do not load only to the back or only to the front of the column.

The narrow column rotors must be in the “cup” position to receive the first row of packages. When loading narrow columns, lay the first row of packages in the rotor. The second row of packages must be loaded on the load bar.

Correct loading will prevent service calls and ensure proper vending.

After loading the vender for the first time, ensure the vender is loaded and primed. Priming is done in programming. **The depth must also be programmed depending on the package to be vended. Cans may be programmed up to 4 deep.**

NOTE: To ensure proper airflow through the evaporator, DO NOT place packages (or other foreign objects) in the bottom of the tank.

SERVICE NOTE

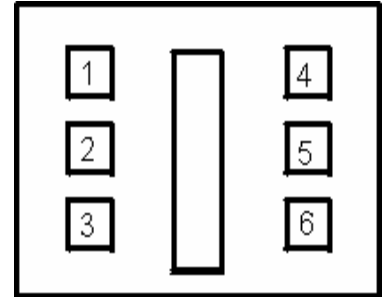
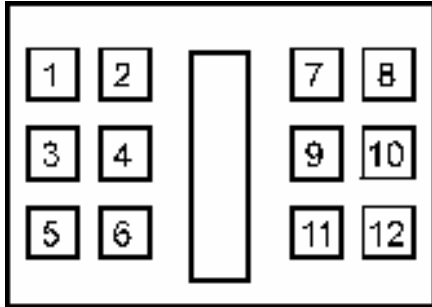
Battery Backup (SBC)
The Single Board Controller is equipped with a battery backup which is used to retain information programmed in the system (pricing, time, date, etc.) in case of power interruptions or any time the main power is off. When the vender is shipped, the battery is connected and memory is being maintained.

Disconnect the battery if the vender will be stored for a long period of time. The following steps will guide you through this procedure.

- Remove power from the vender by unplugging the main power cord from the wall receptacle.
- Locate the Control Board on the main door. Remove the battery from its holder (B1).

**SBC
PROGRAMMING METHOD
AUGUST 2003**

**P-SERIES
HVV**



The controller has two modes of operation:
NORMAL and SERVICE.

NORMAL MODE:

In Normal Mode, on power up display will show the software version installed in vender for 10 Seconds, then change to Ice Cold Drink message, Product Price, Sold Out, Credit Value, or decimal point. If the right most decimal is flashing, this indicates an error or problem recognized in the vender. When money is inserted, the display indicates the total amount of the deposit. The select buttons are used to select the product. In normal mode you may access an external menu for reading historical sales total, product total, product total by selection, sales by price totals, and machine temperature.

Note: If "SCOL" appears on the display on power up with the door open, you will need to program the vender model number in the controller. Refer to Setting the Vender Type on page 25.

SERVICE MODE:

The Service Mode is entered when the vender door is open and the service switch is pressed. The display will show a list of error codes for errors that have occurred since the door was last opened. "Jammed Column #" is a vend mechanism jammed, "Select Switch #" is a select switch problem, "Refrigeration" is a refrigeration or temp sensor problem, and "Door Switch" is a door switch open problem. To acknowledge an error, press select button 1, at this time you will enter the service menu. The display will show "**Historical Data**" at this time. Some of the menu items have sub-menus.

To move through the menus and sub-menus follow these instructions. To:

- MOVE THROUGH MENU: Press select buttons 1 & 2 simultaneously to scroll down through the menu. While scrolling down through menu, release for 2 seconds, press select buttons 1 & 2 simultaneously to scroll up through menu.
- ENTER SUB-MENU: Press and hold select button 1 to enter a sub-menu.
- EXIT SUB-MENU: With "Return" on display, press and hold select button 1 to exit a sub-menu.

EXIT SERVICE MODE:

Closing the inner door, pressing button 1 when "Return" is displayed at the top menu level, or a five-minute inactivity time-out will exit the service mode.

FRONT PANEL PROGRAMMING SERVICE MENU

Historical Data

This function shows the user the vender accounting over the life of the vender. Use the following select buttons to view the total sales in dollars, total number of vends and the total number of vends for each selection.

Press Select Button 1: Shows the historical total cash sales for the life of the vender.

Press Select Button 2: Shows the historical total number of vends.

Press Select Button 3: Shows the historical number of vends by selection. Each selection automatically scrolls across the display.

Press & hold select buttons 1 & 2 simultaneously to move to the next item on the menu.

Resettable Data

This function shows the user the vender accounting data since the last counter reset. This data can be reset either from the menu or by DEX interrogation.

Press Select Button 1: Shows the total cash collected since the last counter reset

Press Select Button 2: Shows the total number of vends since the last counter reset.

Press Select Button 3: Shows the total number of vends by selection since the last counter reset Each selection automatically scrolls across the display.

Press Select Button 4: This button zeros the interval data described above. Hold select button "4" for 5 seconds, "the display will go blank" then "Counters Reset" will be displayed. At this time, all interval data will return to "0".

Set Price

This function is used to set the price of each selection. When a select button is pressed, the price for that selection will be displayed. If the button is held in, the price will increment or decrement. To change from increment to decrement, release the select button and press it again. To set all selections for the same price: set the desired vend price on select #1, then simultaneously press and hold buttons 3 & 4, the price set for select #1 will be displayed. After 5 seconds the display will show "Single Price Set", this will change the vend price of all selections, both primary and secondary, to the price programmed to button #1.

Note: The SBC multi-pricing capability allows you to set all the selections to any price in the range of \$0.00 to \$99.95.

Press & hold select buttons 1 & 2 simultaneously to move to the next item on the menu.

Cash Settings

This function is used to configure credit handling rules for the vender. To move to "User Menu", press & hold select buttons 1 & 2 simultaneously. Press button 1 to enter Cash Settings Menu. The following are sub-menus of the Cash Settings: Fill Coin Mech, Dump Coin Mech, Coin Rules, Escrow, Multi Vend, and Return.

Fill Coin Mech:

This function is used to count coins loaded in the top (separator) of the coin mech. When Fill Coin Mech is displayed the coin mech will accept tubed coins. When the first coin is inserted, Fill Coin Mech will be replaced with the cash value of coins in the coin tubes. The total value of the coins inserted will be displayed and will be counted in the DEX audit data, so the controller knows exactly how much change is in the coin mech.

Press & hold buttons 1 & 2 simultaneously to move to the next item on the menu.

Dump Coin Mech:

This function is used to dump coins from the coin mechanism. Press select button #1 to enter mode and the lowest coin value dispensable will show on the display. Press and hold select buttons 1 & 2 simultaneously to scroll through the different coin values available to dump coins. Press and hold select button #1 to dump the coins whose value is shown on the display. Press and hold select buttons 1 & 2 simultaneously until "Return" shows on the display. Press select button #1 will return to "Dump Coin Mech".

If a level 3 coin mech with Alternate Payout mode is installed, the coin mech will stop dispensing coins when the coin mech's coin count reaches 0.**Coin Rules:**

This condition is used to allow the exact change condition to be turned on or off. When off, the controller will not go in the exact change condition. This will allow bills or coins to be accepted regardless of the ability to pay back non-refundable currency. When turned on, the controller will set the exact change condition based on the ability to pay back non-refundable currency (i.e. Coins, paper). To show current condition press select button 1. Press and hold select button 1 to toggle "Coin Rules" on and off.

Escrow:

This function supports 4 (four) escrow options. Pressing select button 1 will show the current escrow setting. Press and hold select button 1 to scroll through the available Escrow options and set the escrow mode to the setting displayed when select button1 is released.

Price 1

This escrow condition is forced vend option 1 ("escrow to price"). All dollar bills will be stacked. No cancel sale is allowed once minimum vend price is met or exceeded.

Price 2

This escrow condition is forced vend option 2 ("escrow no cancel") with all bills stacked, and no cancel sale allowed unless the vender is in exact change and the maximum vend price is exceeded. Note: Any money entered below the vend price cannot be returned.

Select 4

This escrow condition is "escrow to select" with all the dollar bills being stacked. Cancel sale will return the deposit from the coin changer (i.e.4 quarters).

Select 1

This escrow condition is "escrow to select dollar bills" with the last dollar bill that meets or exceeds maximum vend price being escrowed in the validator. Cancel sale will return the held dollar bill and any amount over \$1 will be returned from the coin changer.

Press & hold select buttons 1 & 2 simultaneously to move to the next item on the menu.

Multi Vend:

This function, when turned on, allows credit to be retained after a vend so the customer can vend from another selection. (i.e..50 vend price, put in \$1.00, push a select button and vends, .50 still shows on the display, push a second select button and vends). Credit is cancelled after 5 minutes of inactivity. There is unlimited acceptance. If a customer wants their credit (money) back, the coin return lever must be pressed. To show the current "Multi Vend" condition, press select button 1 and the display will show the current setting. Press and hold button 1 to toggle "Multi Vend" on and off.

Press and hold select buttons 1 & 2 simultaneously to move to "Return".

Return:

Press and hold button 1 to return to "Cash Settings".

User Menu:

This function is used to configure the vender to operate in a fashion best suited for the vender location. To move to "Diagnostics", press & hold select buttons 1 & 2 simultaneously, to enter the User Menu sub-menus press select button 1. The following are sub-menus of the User Menu for a machine with AC motors: Space To Sales, Column, Time, Language, Electronic Counter, Limited Access, Secondary Price, Environmental Controls, Light, Refrigeration, Free Vend, Override, Sales Message, Recharge, and Return. The "Column" sub-menu prompt will only be available in machines with DC motors.

Space To Sales

To view the space to sales condition, press select button 1 and display will show "Selection 1". Alternating with columns assigned to that select button. Press select buttons 1 & 2 simultaneously to scroll through the available select buttons to view columns assigned and "Return".

To change space to sales:

Press select button 1 at the "Selection #" prompt and "Column ## #" (column edit routine) will be displayed, where the ## is the column to be added or deleted to the select button and the third # is "0" for not assigned or "1" for assigned to that selection. Press select button 1 with "Column ## #" on the display to toggle between "Column ## 0" and "Column ## 1". With the setting you wish to use showing on the display, press select buttons 1 & 2 to scroll to next selection to add/delete columns. Press select button 1 at the "Return" prompt when selecting columns to enable, will return to "Selection #". Press select button 1 at the "Return" prompt when choosing what selection to set for Space to Sales, will return to "Space to Sales".

Note: You must be in the "Selection" prompt to get to the "Return" mode that scrolls to "Space To Sales".

Press & hold select buttons 1 & 2 simultaneously to move to the next item on the menu.

Column - This prompt only appears on machines with DC motors.

Select this prompt to set column depth, package type and vend angles if the package type is custom. This will scroll through the list of columns 1-- 9, "ALL" or "Return" to select what column(s) will have its settings changed. Pressing button 1 will display "Column #" where # represents the column number.

Pressing select buttons 1 & 2 simultaneously will scroll through the columns.

Press select button 1 to scroll to "Package"

"Package" - is the next prompt. Press select buttons 1 & 2 simultaneously after entry into this sub-menu will toggle between "Package" and "Return". Selecting this allows setting the package type for the column selected in the column prompt. Pressing select button 1 will show current package setting. (i.e. 1, 2, 3, ..., Custom, and Return). Press select buttons 1 & 2 simultaneously to scroll through the package settings.

Press select button 1 to select the package type.

If a predefined package type(1, 2, 3, 4, or 5) is selected

After the package type has been selected, "Key 1 = Prime, Key 2 = Exit" will be displayed. Press button 1 to prime the column with product or button 2 to exit without priming the column. If select button 2 is pressed the column will be marked as jammed and will prime when the door is closed.

"Hold Angle" - Will only be displayed if the package type selected is custom.

This allows setting the hold angle for the column selected in the column prompt. Press select button 1 to display the current hold angle "Hold Angle ###". Press select buttons 1 & 2 simultaneously to scroll through hold angles. Press select button 1 to select the displayed hold angle. "Depth" will be displayed after the hold angle is set.

"Depth" - Will only be displayed if the package type selected is custom.

This allows setting the product depth for the column selected in the column prompt. The current product depth "Depth #" is displayed when select button 1 is pressed. Press select buttons 1 & 2 simultaneously to scroll through available product depths. Press select button 1 to select the displayed depth.

“Vend Angle” - Will only be displayed if the package type selected is custom.

This allows setting the vend angles for the column selected in the column prompt. “Vend Angle # ###” will be displayed where the first # is the product number in the column and ### is the vend angle for that product. The user will be prompted to enter to same number of vend angles as was entered at the “Depth” prompt. After the last vend angle is entered the display will show “2 = Exit, 1 = Prime”. Press button 1 to prime the column with product or 2 to exit with out priming the column. If select button 2 is pressed the column will be marked as jammed and will prime when the door is closed.

Return

Pressing select button 1 will return to “Column”

Press and hold select buttons 1 & 2 simultaneously to move to the next item on the menu

Time

This function is used to set the year, month, day, hour/minute (military 24 hour clock), and daylight savings time. Press select button 1 and “Year” will show on display. Press select buttons 1 and 2 simultaneously to scroll through all “Time” sub-menus.

“Year”- Year Setting (2000 to 2099)

Press select button 1 the current year setting will show on display.

Press and hold select button 1 to increment the year setting (2000 to 2099).

Release select button 1 and press and hold again will decrement the year setting.

Release the select button with the display showing the year you wish to use and display will return to “Year”.

Press select buttons 1 & 2 simultaneously to scroll to “Month”.

“Month” - Month Setting (01 to 12)

Press select button 1 and the current 2-digit month setting will show on display.

Press and hold select button 1 to scroll through the month settings. (01 = Jan. to 12 = Dec).

Release the select button with the display showing the month you wish to use and display will return to “Month”.

Press select buttons 1 & 2 simultaneously to scroll to “Day”.

“Day” - Day of Month Setting (1 to 31)

Press select button 1 and the current 2-digit day of month setting will show on display.

Press and hold select button 1 to scroll through the day of month settings (1 to 31).

Release select button 1 and press and hold again will decrement the day of month setting.

Release the select button with the display showing the day of month setting you wish to use and display will return to “Day”.

Press select buttons 1 & 2 simultaneously to scroll to “Hour/Minute”.

“Hour/Minute” - Hour and Minute Setting (0000 to 2359)

Press select button 1 and the current 4-digit hour and minute setting will be displayed (24 hour).

Press and hold select button 1: Set Hours

Press and hold select button 2: Set Minutes

Press select buttons 1 & 2 simultaneously to move to the next item in the menu.

Daylight Savings Time

Press select button 1 and the current setting will show on the display.

Press and hold select button 1 to scroll through the “Daylight Savings Time” options listed:

“**American**” – North American rules – Set forward 1 hour at 2:00 am on the first Sunday in April; Set backward 1 hour at 2:00 am on the last Sunday in October.

“**European**” – European rules – Set forward 1 hour at 1:00 am on the last Sunday in March; Set backward 1 hour at 1:00 am on the last Sunday in October.

“**Australian**” – Australian rules – Set forward 1 hour at 1:00 am on the first Sunday in October; Set backward 1 hour at 1:00 am on the last Sunday in March.

“**Off**” – **Off Rules**– Daylight savings time change will not be made.

Release the select button with the display showing the “Daylight Savings Time” setting you wish to use and display will return to “Daylight Savings Time”.

Press and hold select buttons 1 & 2 simultaneously to move to “Return”.

Return:

Press select button 1 to return to “Time”.

Language

This function is used to set the language that will be used for sales mode messages. To display the current language selected, press select button 1. To change the language selected, press & hold select button 1 to scroll through the language menu. Once the desired language is shown on the display, release the button. The display will then return to “Language”.

English	Spanish
French	Slovene
German	Finnish
Italian	Norwegian
Portuguese	

Press and hold select buttons 1 & 2 simultaneously to move to the next item on the menu.

Electronic Counter

This function is used to set the four (4) button code that will show historical cash sales, historical total vends, historical product counts by selection, historical product counts that have occurred for prices, and cabinet temperature when the vender is in sales mode. Press select button 1 to view the current four (4) button code.

To change “Electronic Counter” four button code:

At “Electronic Counter” press select button 1, “####” (representing current four button code) will show on display (“4231” is the factory default code). Press and hold select button 1 until the far left digit is replaced by an “*” indicating it can be changed. Press the select button desired for the first digit of the code. The next digit will be replaced by an “*” press the select button desired for that digit of the code. Continue this process until all 4 digits are set. After the last digit is entered the display will return to “Electronic Counter”

Note: The four-button code must use select buttons 1 through 9 only.

Enter the four button code while in sales mode to view the data. Once entered the listed data is available from the front of the vender:

- Press select button 1: Show historical cash sales.
- Press select button 2: Show historical total vends.
- Press select button 3: Show historical product counts by selection.
- Press select button 4: Show historical cash sales by selection
- Press select button 5: Show temperature inside the cabinet.
- Press select button 6: Returns to sales idle mode (sales vender operation).

Note: There is a thirty (30) second time-out that will return the vender to sales mode if no select buttons are pressed.

Press & hold select buttons 1 & 2 simultaneously to move to the next item on the menu.

Limited Access

This function is used to program the vender to use the Limited Access Features. To move to Secondary Price Menu, press & hold select buttons 1 & 2 simultaneously, to enter the sub-menu press select button 1. The following are sub-menus of the Limited Access Menu: "Selects", "Days", "Start 1", "Stop 1", "Start 2", "Stop 2", and "Return".

Selects

This function is used to set selection(s), which, will be limited during certain periods of the day. To view the selection setting condition, press select button 1. The display will show "Selects## # where ## is the selection number and # is a "0" or "1" depending on whether the selection is enabled (1) or disabled (0). Press and hold select button 1 to toggle between "0" & "1". Press select buttons 1 & 2 simultaneously to scroll through all available select buttons, "NONE", "ALL", and "Return". Pressing select button 1 when "ALL" is displayed will cause the display to change to "on" when all selections have been enabled. Pressing select button 1 when "NONE" is displayed will cause the display to change to "off" when all selections have been disabled. Press select button 1 at the "Return" prompt returns to "Selects".

Press & hold select buttons 1 & 2 simultaneously to move to the next item on the menu.

Days

This function is used to set the days of the week to be affected by limited access.

Day of Week:	Sunday	Wednesday	Saturday	Return
	Monday	Thursday	All Days	
	Tuesday	Friday	No Days	

Press select button 1 and "Monday #" will show on the display, where # is "0" (disable) or "1" (enable). Press and hold select button 1 to toggle between "0" and "1". Release the select button with the display showing the setting you wish to use. Press select buttons 1 & 2 simultaneously to scroll through all available days, "All Days", "No Days", and "Return". Pressing select button 1 when "ALL Days" is displayed will cause the display to change to "on" when all days have been enabled. Pressing select button 1 when "No Days" is displayed will cause the display to change to "off" when all days have been disabled. Press select button 1 at the "Return" prompt returns to "Days".

Press & hold select buttons 1 & 2 simultaneously to move to the next item on the menu.

Start 1

This function is used to set the hours and minutes to start period 1 limited access. Press select button 1 and the current four-digit hour and minute setting will to be displayed (24 hour).

- Press & hold select button 1: Set Hours
- Press & hold select button 2: Set Minutes

Press select buttons 1 & 2 simultaneously to move to the next item in the menu.

Stop 1

This function is used to set the hours and minutes to stop period 1 limited access. Press select button 1 and current four-digit hour and minute will be displayed. (24 hour).

Press & hold select button 1: Set Hours

Press & hold select button 2: Set Minutes

Press select buttons 1 & 2 simultaneously to move to the next item in the menu.

Start 2

This function is used to set the hours and minutes to start period 2 limited access. Press select button 1 and the current four-digit hour and minute setting will be displayed (24 hour).

Press & hold select button 1: Set Hours

Press & hold select button 2: Set Minutes

Press select buttons 1 & 2 simultaneously to move to the next item in the menu.

Stop 2

This function is used to set the hours and minutes to stop period 2 limited access. Press select button 1 and the current four-digit hour and minute setting will be displayed (24 hour).

Press & hold select button 1: Set Hours

Press & hold select button 2: Set Minutes

Press select buttons 1 & 2 simultaneously to move to the next item in the menu.

Return

Press select button 1 to return to "Limited Access".

Press & hold select buttons 1 & 2 simultaneously to move to the next item on the menu.

Secondary Price

This function is used to program a second price for each selection. To move to Environmental Controls, press & hold select buttons 1 & 2 simultaneously. To enter the sub-menu press select button 1. The following are sub-menus of the Secondary Price Menu: "Price", "Days", "Start", "Stop", and "Return".

Price

This function is used to set the price of each selection. When a select button is pressed, the price for that selection will be displayed. If the button is held in, the price will increment or decrement. To change from increment to decrement, release the select button and press it again.

Note: The SBC multi-pricing capability allows you to set all selections to any price in the range of \$0.00 to 99.95.

Press & and hold select buttons 1 & 2 simultaneously to move to the next item on the menu.

Days

This function is used to set the days of the week to be affected by secondary pricing.

Day of Week:	Sunday	Wednesday	Saturday	Return
	Monday	Thursday	All Days	
	Tuesday	Friday	No Days	

Press select button 1 and "Monday #" will show on the display, where # is '0' (disable) or "1" (enable). Press and hold select button 1 to toggle between "0" and "1". Release the select button with the display showing the setting you wish to use. Press select buttons 1 & 2 simultaneously to scroll through all available days, "All Days", "No Days", and "Return". Pressing select button 1 when "ALL Days" is displayed will cause the display to change to "on" when all days have been enabled. Pressing select button 1 when "No Days" is displayed will cause the display to change to "off" when all days have been disabled. Press select button 1 at the "Return" prompt returns to "Days".

Press & hold select buttons 1 & 2 simultaneously to move to the next item on the menu.

Start

This function is used to set the hours and minutes to start secondary pricing. Press select button 1 and the current four-digit hour and minute setting will be displayed. Press and hold select button 1 to change the hour setting, press button 2 to change the minute setting.

Press select buttons 1 & 2 simultaneously to move to the next item in the menu.

Stop

This function is used to set the hours and minutes to stop secondary pricing. Press select button 1 and the current four-digit hour and minute setting will be displayed. Press and hold select button 1 to change the hour setting, press button 2 to change the minute setting.

Press select buttons 1 & 2 simultaneously to move to the next item in the menu.

Return

Press button 1 to return to Secondary Pricing

Press buttons 1 & 2 to scroll to the next item in the menu

Environmental Controls

This allows the user to view the energy conservation menu "Lighting", Refrigeration", and also the "Relay" test menu. **When this is programmed to "OFF" you will not see "Lighting", Refrigeration or Relay Test.** Press select button 1 and the current setting will be displayed (On or Off). Press and hold select button 1 to toggle between on and off (**This feature is "OFF" from the factory**). To move to Light, press & hold select buttons 1 & 2 simultaneously with this feature on. To move to Free Vend, press & hold select buttons 1 & 2 simultaneously with this feature off.

Light

This function is used to turn the lights off during certain periods of the day. To enter the sub-menu press select button 1. The following are sub-menus of the Light Menu: "Days", "Start", "Stop", "Enable", and "Return". To move to Refrigeration, press & hold select buttons 1 & 2 simultaneously.

Pressing select button 1 will enter "Days".

Days

This function is used to set the days of the week to turn lights off.

Day of Week:	Sunday	Wednesday	Saturday	Return
	Monday	Thursday	All Days	
	Tuesday	Friday	No Days	

Press select button 1 and "Monday #" will show on the display, where # is "0" (disable) or "1" (enable). Press and hold select button 1 to toggle between "0" and "1". Release the select button with the display showing the setting you wish to use. Press select buttons 1 & 2 simultaneously to scroll through all available days, "All Days", "No Days", and "Return". Press select button 1 at the "Return" prompt returns to "Days".

Press & hold select buttons 1 & 2 simultaneously to move to the next item on the menu.

Start

This function is used to set the hours and minutes to start lighting routine.

Press select button 1 and the current four-digit hour and minute setting will be displayed. (24 hour).

Press & hold select button 1: Set Hours

Press & hold select button 2: Set Minutes

Press select buttons 1 & 2 simultaneously to move to the next item on the menu.

Stop

This function is used to set the hours and minutes to stop lighting routine.
Press select button 1 and the current four-digit hour and minute setting will be displayed.
(24 hour)
Press & hold select button 1: Set Hours
Press & hold select button 2: Set Minutes

Press select buttons 1 & 2 simultaneously to move to the next item on the menu.

Enable

This function is used to allow the lighting routine to go in to affect.
Press select button 1 and the current setting will be displayed (On or Off).
Press and hold select button 1 to toggle between "On" and "Off".
Release the select button showing the setting you wish to use and display will return to "Enable".

Press select buttons 1 & 2 to scroll to "Return".

Return

Press select button 1 to return to "Light".
Press & hold select buttons 1 & 2 simultaneously to move to the next item on the menu.

Refrigeration

This function is used to electronically control the refrigeration operations of the vender. . To enter the sub-menu press select button 1. The following are sub-menus of the Refrigeration Menu: "Temperature", "Celsius or Fahrenheit ", "Display", "Days", "Start", "Stop", "Storage Temperature", "Storage Enabled", and "Return". To move to Free Vend, press & hold select buttons 1 & 2 simultaneously.
Press select button 1 will enter "Temperature".

**Temperature
(Default Temperature 35⁰F/15⁰C)**

This function is used to set the average product temperature for initial pull down and reload recovery.
Press select button 1 and "tt.tx" will show on the display where x is Fahrenheit or Celsius and tt.t is the degrees.
Press and hold select button 1 to increase or decrease the number by 1F or 0.5C. Release select button with the display showing the temperature you wish to use and display will return to "Temperature".
Press select buttons 1 & 2 to scroll to "Celsius or Fahrenheit".

Celsius or Fahrenheit

This function is used to set the degree reading to Fahrenheit or Celsius.
Press select button 1 and the current setting will show on the display. Press and hold select button 1 to toggle between Fahrenheit and Celsius. Release the select button with the display showing the setting you wish to use and display will return to "Celsius or Fahrenheit".
Press select buttons 1 & 2 to scroll to "Display".

Display

This function is used to enable the Temperature to be displayed following the "Ice Cold Drink" message. **"Sales Message" must also be set to ON for the temperature to be displayed.**
Press select button 1 and "Display" will show on the display. Press select button 1 and the current setting will be displayed (On or Off). Press and hold select button 1 to toggle between "On" and "Off".

Press & hold select buttons 1 & 2 simultaneously to move to the next item on the menu.

Days

This function is used to set the days of the week to use Temperature Setting Routine.

Day of Week:	Sunday	Wednesday	Saturday	Return
	Monday	Thursday	All Days	
	Tuesday	Friday	No Days	

Press select button 1 and "Monday #" will show on the display, where # is "0" (disable) or "1" (enable). Press and hold select button 1 to toggle between "0" and "1". Release the select button with the display showing the setting you wish to use. Press select buttons 1 & 2 simultaneously to scroll through all available days, "All Days", "No Days", and "Return". Press select button 1 at the "Return" prompt returns to "Days".

Press & hold select buttons 1 & 2 simultaneously to move to the next item on the menu.

Start

This function is used to set the hours and minutes for storage temperature to become active. Press select button 1 and the current four-digit hour and minute setting will be displayed (24 hour)

Press & hold select button 1: Set Hours
Press & hold select button 2: Set Minutes

Press select buttons 1 & 2 simultaneously to move to the next item on the menu.

Stop

This function is used to set the hours and minutes for storage temperature to become inactive. Press select button 1 and the current 4-digit hour and minute setting will be displayed (24hour).

Press & hold select button 1: Set Hours
Press & hold select button 2: Set Minutes

Press select buttons 1 & 2 simultaneously to move to the next item on the menu.

**Storage Temperature
(Default Temperature 60⁰F/ 16⁰C)**

This function is used to set the temperature for product storage. Press select button 1 and "tt.tx" will show on the display where x is Fahrenheit or Celsius and tt.t is the degrees. Press and hold select button 1 to increase or decrease the number by 1 or 0.5. Release select button with the display showing the temperature you wish to use and display will return to "Storage Temperature". Press select buttons 1 and 2 simultaneously to scroll to "Storage Enabled"

Storage Enabled

This function is used to enable the storage setting to go in affect. Press select button 1 and the current setting will be displayed (On or Off). Press and hold select button to toggle between "On or Off". Release the select button showing the setting you wish to use and display will return to "Storage Enabled"

Press select buttons 1 & 2 to scroll to "Return"

Return

Press select button 1 at "Return" to return to "Refrigeration"
Press select buttons 1 & 2 simultaneously to scroll to next item on the menu.

Free Vend

This function is used to set the Free Vend option. Note: For free vend to become active a free vend switch must be connected to controller on free vend switch connector. Press select button 1 and "ENABLE" will show on the display. To move to Override, press & hold select buttons 1 & 2 simultaneously.

Enable

This function is used to allow the free vend to go in affect.

Press select button 1 and the current setting will be displayed (On or Off).

Press and hold select button 1 to toggle between " On " or "Off ".

Release the select button showing the setting you wish to use and the display will return to "Enable".

Press select buttons 1 & 2 to scroll to "Display"

Display

This function is used to show the current number of free vends performed by the controller.

Press select button 1 and "#" will show on the display where "#" is the number of free vends performed by the controller. Release the select button and display will return to "Display"

Press select buttons 1 and 2 simultaneously to scroll to "Reset"

Reset

This function is used to reset number of free vends to zero.

Press and hold select button 1 for 5 seconds to reset the number of free vends performed by the controller to zero. Release the select button and the display will return to "Reset".

Press select buttons 1 & 2 to scroll to "Return".

Return

Press select button 1 to return to "Free Vend".

Press & hold select buttons 1 & 2 simultaneously to move to the next item on the menu.

Override

This function is used to allow a key switch to override some of the settings stored for normal operations. When enabled and the free vend switch is in the closed position, the controller will override "Free Vend", disable vending, disable currency acceptance, display will show "No Sales", and lights will be off. The compressor will continue to keep product at the programmed temperature. Vender will remain in this state until the override switch is in the open position.

Press select button 1 and the display will show the current setting for 2 seconds (ON or Off).

Press and hold select button 1 to toggle between "On" - enabled and "Off" - disabled.

Release the select button showing the setting you wish to use and display will return to "Override".

To move to Sales Message, press & hold select buttons 1 & 2 simultaneously.

Sales Message

This function is used to turn on the scrolling message "Ice Cold Drink".

Press select button 1 and the display will show the current setting (On or Off).

Press and hold select button 1 to toggle between " On or Off".

Release the select button showing the setting you wish to use and display will return to "Sales Message".

Press select buttons 1 & 2 simultaneously to scroll to "Recharge"

Recharge -The installed Card Reader must support this option for this feature to work correctly.

This function is used to enable the recharge card setting routine.

Press select button 1 and the display will show the current setting (On- recharge card enabled or Off- recharge card disabled). Press and hold select button 1 to toggle between "On" and "Off ".

Release the select button showing the setting you wish to use and display will return to "Recharge".

Press select buttons 1 & 2 simultaneously to scroll "Return"

Return

Press select button 1 to return to “User Menu”.

Press & hold select buttons 1 & 2 simultaneously to move to the next item on the menu.

Diagnostics

This function allows you to systematically diagnose problems related to the vender. To move to “Auto Test” press select buttons 1 & 2 simultaneously, to enter sub-menu press select button 1. The following are sub-menus of Diagnostics Menu:

Vender with DC motors “Selection”, “Home Sensor”, “Vend Sensors”, “Motors”, “Coin mech”, “Note Acceptor”, “Display”, “Relay”, “Jog”, “Prime”, and “Return”.

Selection

Press any select button, and the display will indicate the number of the select button pressed.

Press & hold select buttons 1 & 2 simultaneously to the next item on the menu.

Home Sensor - This prompt only appears on machines with DC motors.

Use this to test the home sensor on the motor for any column. Press select button 1 to display “Column 1”. Press & hold select buttons 1 & 2 simultaneously to scroll through the columns and “Return”. Press button 1 when a column is displayed will cause the displayed column to test that the motor’s home sensor can be detected. Press select button 1 at “Return” to return to “Home Sensor”.

Press & hold select buttons 1 & 2 simultaneously to move to the next item on the menu.

Vend Sensors - This prompt only appears on machines with DC motors.

Use this to test vend sensor in the machine. Press select button 1 to begin the test and “TEST CHUTE” will be displayed. Touch or place an object on the chute. When it is detected “Chute Pass” will be displayed. If nothing is detected on the chute, a “CHUT” message will be displayed.

Press & hold select buttons 1 & 2 simultaneously to move to the next item on the menu.

Motors

Use this test to run any motor in the stack. Press select button 1 and “Motor 1” will show on the display. Use the following select buttons to run this test.

Press Select Buttons 1 & 2: Press until desired motor # to run or “Return” is shown on the display.

Press Select Button 1: Press to run the selected motor. The display will show “Vending” and the selected motor will run.

Coin Mech

Use this test to check coin mech, coin chute, and the coin mech payout systems. Inserting any coins enters the coin mech diagnostic function. Only tubed coins (i.e. that can be returned) will be accepted.

The value of the coins will be reflected on the display. Press select button 2 will exit the test and return any coins inserted and return to “Coin mech”.

Press select buttons 1 & 2 simultaneously to move to the next item on the menu.

Note Acceptor

Use this test to check note acceptor. Inserting a bill enters the note acceptor diagnostic function. Bill will be held in escrow. Press select button 2 to stack the bill. Press select button 3 to return the bill. After the note is has been stacked or returned, the display will return to “Note Acceptor”.

Press & hold select buttons simultaneously to move to the next item on the menu.

Display

Press select button 1 and the display segments will illuminate in a scrolling manner, or will scroll through a set of text characters and return to “Display”.

Press & hold select buttons 1 & 2 simultaneously to move to the next item on the menu.

Relay – Relays can only be tested if the environmental controls package is installed in the vender.

Compressor #

This function allows you to test the relay electronic control of the compressor.

CAUTION: Disconnect power to the compressor before testing the compressor relay. Failure to disconnect power to the compressor before testing the relay could result in damage to the compressor.

Press select button 1 and the display will show “Compressor #”, where # is the state of the relay 0 = not activated or off; 1= activated or on. Press select button 1 to toggle the relay on and off. Press select buttons 1 & 2 simultaneously to move to “Fan”.

Fan #

This function allows you to test the relay electronic control of the evaporator fan.

Press select button 1 and the display will show “Fan #” where # is state of the relay 0 = not activated or off; 1 = activated or on. Press select button 1 to toggle the relay on and off.

Press select buttons 1 & 2 simultaneously to scroll to “Light”.

Light #

This function allows you to test the relay electronic control of the lights.

Press select button 1 and the display will show “Light #”, where # is the state of the relay 0 = not activated or off; 1 = activated or on. Press select button 1 to toggle the relay on and off. Press select buttons 1 & 2 simultaneously to scroll to “Return”.

Return

Press select button 1 to return to “Relay”.

Jog Motor - This prompt only appears on machines with DC motors

Press select button 1 the display will show “Column 1”. Press select buttons 1 & 2 simultaneously until the desired column is displayed. Selecting the desired column will then prompt for a direction either “clockwise”(CW) or “counter clockwise” (CCW). Pressing select 1 & 2 simultaneously will scroll between “clockwise”, “counter clockwise” and “Return”. Pressing select button 1 when clockwise or counter clockwise is displayed will jog the motor in that direction. Press select buttons 1 & 2 to scroll to “Return”. Press select button 1 at the Return to return to “Jog Motor”.

Press select buttons 1 & 2 to scroll to the next Item.

Prime Column – This prompt only appears on machines with DC motors.

Pressing select button will display “Column 1”. Pressing select buttons 1 & 2 simultaneously will scroll to the desired column. Pressing select button 1 when the desired column is displayed will cause that column to be primed. Press select buttons 1 & 2 simultaneously to scroll to “Return”.

Press select button 1 at “Return” will return to “Prime”

Pressing select buttons 1 & 2 simultaneously to scroll to the next Item.

Return

Press select button 1 to return to “Diagnostics”.

Press and hold select buttons 1 & 2 simultaneously to scroll to next menu item.

Auto Test

This function is used in Dixie-Narco’s manufacturing process and is not intended for use in the field. Its purpose is a self-test routine to check the SBC components listed. For further details contact Dixie-Narco Factory Service.

Press and hold select buttons 1 & 2 simultaneously to scroll to “Return”.

Return

Press & hold select buttons 1 & 2 simultaneously to scroll to “Return”.

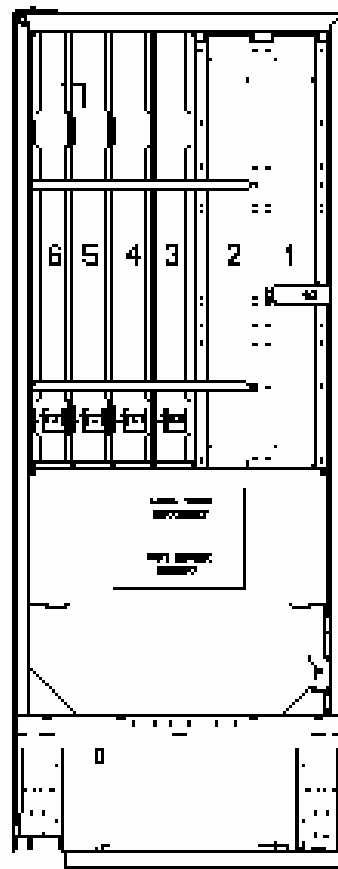
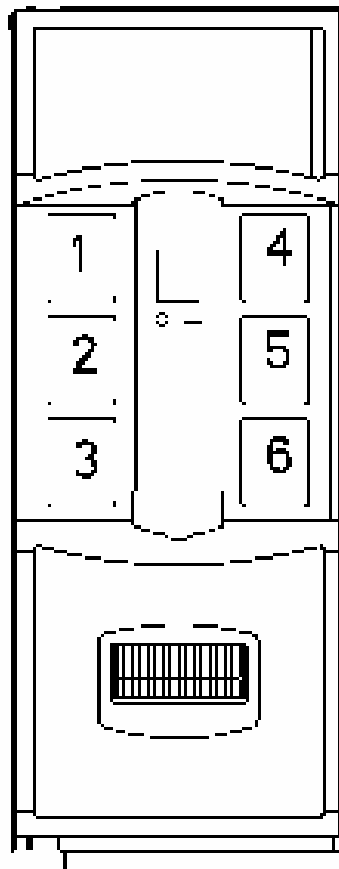
Press select button 1 to return to Sales mode.

P-SERIES SBC QUICK REFERENCE MENU PROMPTS

Main Menu	Sub-Menu	Sub-Sub-Menu	Main Menu	Sub-Menu	Sub-Sub-Menu
Historical Data			User con't.	Light	Days
Resettable Data					Start
Set Price					Stop
Cash Settings	Fill Coin Mech				Enable
	Dump Coin Mech				Return
	Coin Rules			Refrigeration	Temperature
	Escrow	Price 1			Celsius or Fahrenheit
		Price 2			Display
		Select 4			Days
		Select 1			Start
	Multi Vend				Stop
	Return				Storage Temperature
User Menu	Space To Sales				Storage Enable
	Column	Package			Return
		Hold Angle		Free Vend	Enable
		Depth			Display
		Vend Angle			Reset
		Return			Return
	Time	Year		Override	
		Month		Sales Message	
		Day		Recharge	
		Hour/Minute		Return	
		Daylight Savings Time	Diagnostics	Selection	
		Return		Home Sensor	
	Language			Vend Sensors	
	Electronic Counter			Motors	
	Limited Access	Selects		Coin Mech	
		Days		Note Acceptor	
		Start 1		Display	
		Stop 1		Relay	Compressor
		Start 2			Fan#
		Stop 2			Light#
		Return			Return
	Secondary Price	Price		Jog Motor	Column #
		Days			Return
		Start		Prime Column	Column #
		Stop			Return
		Return		Return	
	Environmental Controls		Auto test		
			Return		

- A. Press and hold select buttons 1 & 2 simultaneously to move through the menu from top to bottom.
- B. Press select button 1 to move left/right or enter/exit in the menu, depending on the menu prompt on the display.

Factory Default Setting



Selection #	Column #
1	1
2	2
3	3
4	4
5	5
6	6

Selection #	Column #
1	1
2	1
3	2
4	2
5	3
6	3
7	4
8	4
9	5
10	6
11	7
12	8

Setting The Vender Type

To program with “SCOL” on the display press select button 1. The display will show “6” for six columns. Press select buttons 1 & 2 to scroll through available number of columns in the machine. When the displayed number of columns matches the number of columns in the machine, press select button 1 to set the number of columns. “MODL” will appear on the display, press select button 1. The display will show the first available model number for the current vender type. Press select button 1 & 2 to scroll through the available vender model numbers for this vender. When the vender type you wish to save is showing on the display, press select button 1. The display will scroll “1 = SET PACKAGE TYPE 2 = EXIT”. Press select button 1 and the display will show “1” indicating the package type. This will allow you to set the package type of the machine if it is different than the default of package type 2. Press select button 1 & 2 to scroll through the available package types. Press select button 1 to set the displayed package type. “2=Exit 1=Prime COL1” will appear on the display. Press button 1 to prime column 1 or select button 2 to skip priming column 1. The display will then display “2=Exit 1=Prime COL2”. Repeat the priming process until all columns have been primed or skipped.

6 column machines

DN552-5,
DN552-6,
DN552-7,

7 column machines

DN532-5,
DN532-6,
DN532-7,

8 column machines

DN756-7,
DN756-8,
DN756-9,
DN756-10,
DN756-11,
DN756-12,
DN756-13,
DN756HV -12,

10 column machines

DN760-9,
DN760-10,
DN760-11,
DN760-12,
DN760-13,
DN760HV -12,

The following are other model numbers that may display

6 column machines

DN552-5,
DN552-6,
DN552-7,
DN552-8,

7 column machines

DN532-5,
DN532-6,
DN532-7,
DN532-8,

8 column machines

DN756-7,
DN756-8,
DN756-9,
DN756-10,
DN756-11,
DN756-12,
DN756-13,

10 column machines

DN760-9,
DN760-10,
DN760-11,
DN760-12,
DN760-13,

The most important facets of proper vender care and maintenance are the electrical power supplied to it, leveling, and cleanliness of the machine and its components.

POWER

The vender must be connected to a dedicated 120VAC, 15 Amp circuit (U.S. and Canada).

CAUTION:

REMOVE POWER TO THE VENDER PRIOR TO CONNECTING / DISCONNECTING ANY ELECTRICAL COMPONENTS FOR TESTING OR REPLACEMENT.

CLEANING



DO NOT USE A WATER JET OR NOZZLE TO CLEAN THE VENDER

SIGN FACE

The polycarbonate sign face requires proper cleaning to prolong its service life. Periodically clean the sign as follows:

1. Rinse the sign with a soft cloth or sponge soaked in warm water.
2. If necessary, use a mild soap to loosen any dirt or grime. DO NOT SCRUB or use a brush or squeegee. Scrubbing may cause damage to signs with a clear ultraviolet resistant coating (prevents yellowing).
3. Repeat the above steps as necessary. To prevent spotting, dry the sign using a soft cloth.

CABINET

1. Wash the cabinet with a good detergent or soap mixed with warm water.
2. Wax the vender often with a good grade of automobile wax.
3. Any corrosion inside of the vender should be removed with a fine steel wool and the area should be painted with aluminum paint.
4. Repair any scratches on painted surfaces to prevent corrosion.

DRAIN PAN

1. Check the drain pan periodically for dirt, debris, and proper alignment. Clean as needed.
2. Ensure nothing obstructs the drain tube or drain hose.



THE COMPRESSOR ELECTRICAL CIRCUIT IS ALWAYS LIVE WHEN THE PLUG IS CONNECTED TO AN ELECTRICAL OUTLET

REFRIGERATION CONDENSER

- Check the condenser periodically for dirt or lint build-up.
- Remove build-up with a brush or vacuum, or blow the dirt out of the condenser with compressed air and an approved safety nozzle.
- Ensure nothing obstructs the air intake at the bottom of the main door.
- Ensure nothing obstructs the air exhaust at the rear of the cabinet.

COIN ACCEPTOR

- Follow the coin acceptor manufacturer's cleaning instructions.

LUBRICATING THE VENDER

Time	Component	Lubricant Example
Every 6 months (or as needed)	Main Door	
	1. Lock Bolt & Nut Retainer 2. Hinge Pivot Points	Mechanics Friend Mechanics Friend
Every Year (or as needed)	Inner Door	
	1. Hinge Pivot Points Inner Door 1. Door Gasket	Mechanics Friend Petroleum Jelly

EPROM REPLACEMENT

Software changes / upgrades are accomplished by changing the EPROM on the Control Board.

HVV P-Series Single Board Controller Software Update Procedure

This document describes how to update software on the Single Board Controller (SBC). **Note:** All existing software revisions, except software version 804,920,870.01, will automatically update the software revision 804,920,870.01 or higher upon installation. For SBC boards using 804,920,870.01 software menu programming is required to manually update the software.

Important: EPROM's containing software is sensitive to Electrostatic Discharge (ESD). Failure to handle the EPROM carefully could cause damage, which may result in a failed Single Board Controller (SBC).

ALWAYS KEEP THE EPROM IN THE ESD TUBE. GROUND YOURSELF ON THE VENDER CABINET BEFORE REMOVING THE EPROM FROM THE ESD TUBE OR CONTROL BOARD. AN EPROM CAN BE USED TO PROGRAM MANY VENDERS, AS LONG AS CARE IS TAKEN NOT TO DAMMAGE THE EPROMS LEGS.

ALWAYS TURN POWER OFF BEFORE REMOVING OR INSTALLING EPROMS IN THE CONTROL BOARD.

Note: Use the SBC programming manual to program a vender that has a Single Board Controller (SBC) installed.

I. EPROM removal

- Power down the Vender. **Ground yourself on the vender cabinet before removing the EPROM from the ESD tube or control board.**
- If the EPROM is present in the SBC, remove the existing EPROM from the SBC.
 - Note: An EPROM does not need to be in the board after the SBC has been programmed. The EPROM can be used to reprogram other boards.
- Verify the pins of the new EPROM are not bent before installing in the EPROM socket.
- Install the new EPROM in the EPROM socket. Ensure the EPROM is oriented correctly with its reference marker (locator) in the same direction as the reference marker (locator) of the EPROM socket. Do not rely on the EPROM label for orientating the EPROM. See Figure 1.

II. Automatic Reprogramming (all 804,920,87x.x1 software revisions)

- Turn power on to Vender. When auto-updating, the display will remain blank while the red LED on the board blinks rapidly for 3-4 seconds. Verify the new software version is shown on the display. If the new software version (the software version of the newly installed EPROM) displays, the SBC software has been successfully updated. If not, verify the EPROM is seated properly, with the reference marker oriented correctly and follow instructions for manual update if updating from 804,920,870.01. If problems still exist, contact the Dixie-Narco Technical Service Department.

Note: To remove the EPROM after programming is complete turn power off, **ground yourself on the vender cabinet before removing the EPROM**, remove the EPROM, turn power on, test vender for proper operation.

III. Manual Reprogramming (all 804,920,870.01 or if an EPROM does not automatically reprogram the SBC)

- At power up, the current software version will be displayed. To manually program the control board with the new software, press the blue service switch on the SBC to enter the service menu. Advance to the “Auto Test” menu by holding buttons 1 & 2 simultaneously. Enter Auto Test by pressing button 1, and advance to the “Reprogramming Microprocessor” submenu by holding buttons 1 & 2 simultaneously.
- At the “Reprogramming Microprocessor” prompt, press button 1. “THIS OPERATION REPROGRAMS VENDOR” shows on the display. Press button 1 at this prompt. Next display will show “BUTTON 2 = REPROGRAM, BUTTON 3 = EXIT”.
- Press button 2 to reprogram vender with the new software. “Reprogramming Vendor...” displays while the red LED on the board blinks rapidly for 3-4 seconds. Verify the new software version, and previous settings return to the display. If the new software version (the software version of the newly installed EPROM) shows on the display, the SBC software has been successfully updated.

Note: To remove the EPROM after programming is complete, remove power to the vender, **ground yourself on the vender cabinet before removing the EPROM**, remove the EPROM, while still grounded install a label on the microprocessor showing the revision of software that is installed in the SBC, power the vender back on and test for proper operation.

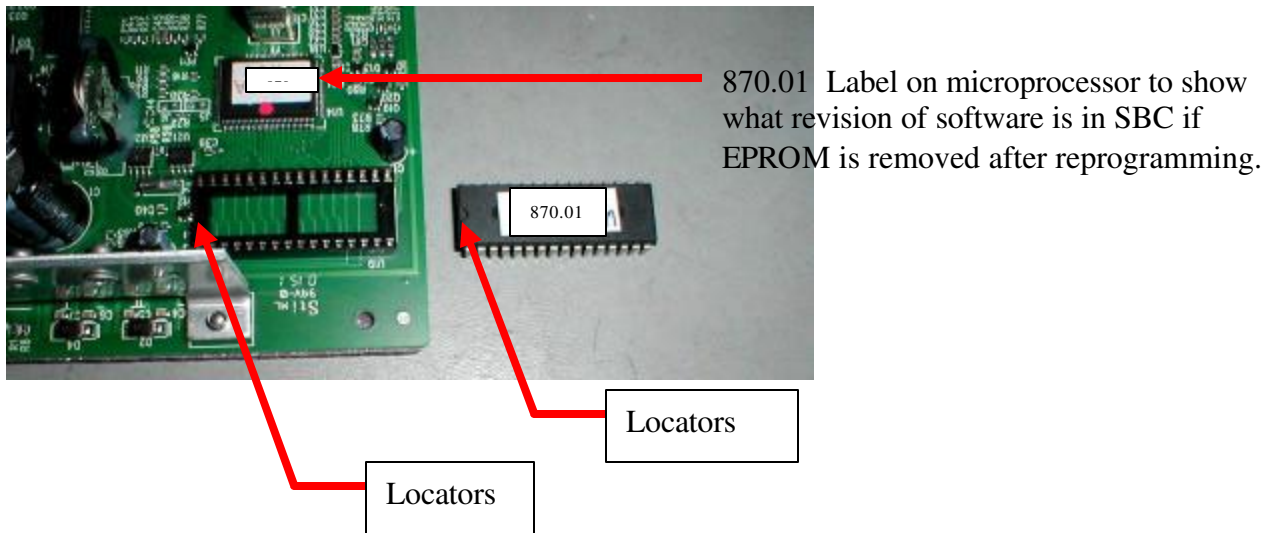
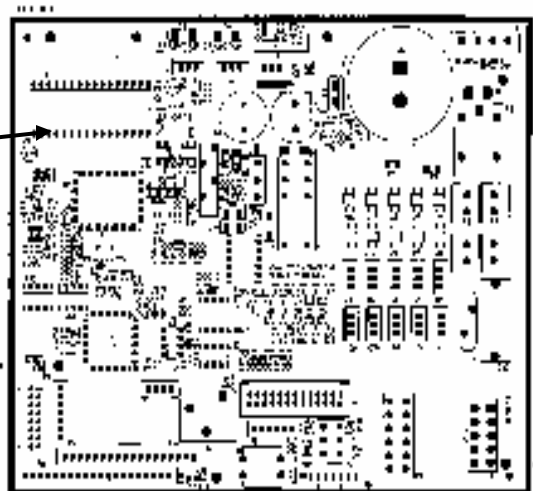


Figure 1

Figure 1 – EPROM REPLACEMENT (SAMPLE BOARD SHOWN)

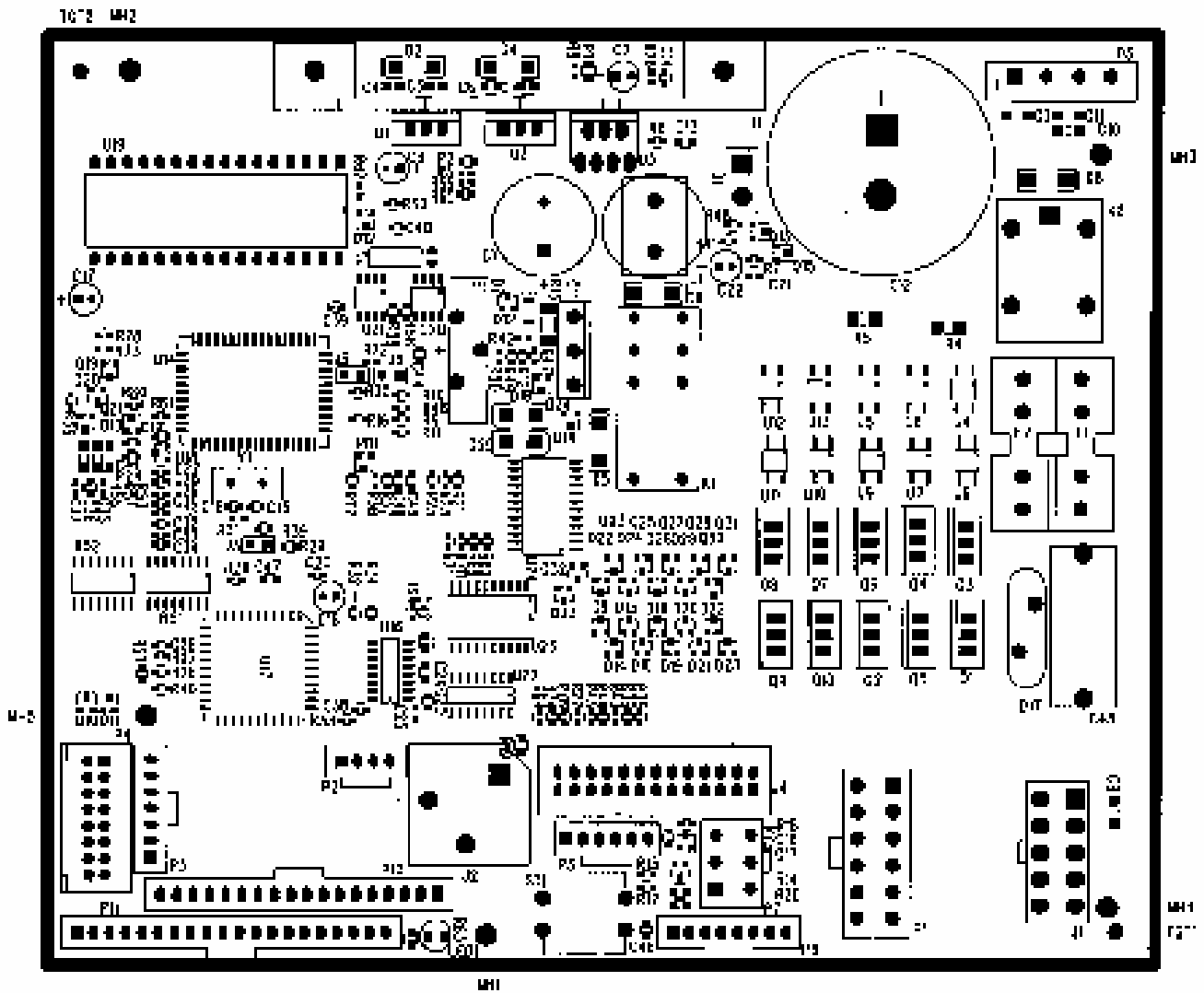


ELECTRICAL

Transformer	Provides 24 volt and 12 volt power to the Machine Controller
Fuse (F1)	1.6 Amp Slo Blo Control Board Power (includes display and MDB Peripherals)
Fuse (F2)	6 Amp Slo Blo Motor Power Fuse
Relay	Potter & Brumfield T91P5D52-24 240 VAC / 20 A-NO / 10A-NC
Choke	Foster A-16015 5MH 6A

REFRIGERATION

115 VAC	
Compressor	Embraco, 1/3 HP, 115 VAC, 60 Hz 1 Phase Unit uses 9.0 oz. of 134A Refrigerant
Start Relay	115 VAC, 1.351.605
Start Capacitor	115 VAC 233-280 MFO / 165V
Thermal Overload	115 VAC MRT 22AF2-5598
Condenser Fan	16W Motor 115 VAC 5KSM81FFL 3022T Blade – 8-3/4" dia.
Evaporator Fan	6.5W Motor 115 VAC OSM 2045X1 Blade – 6" dia.



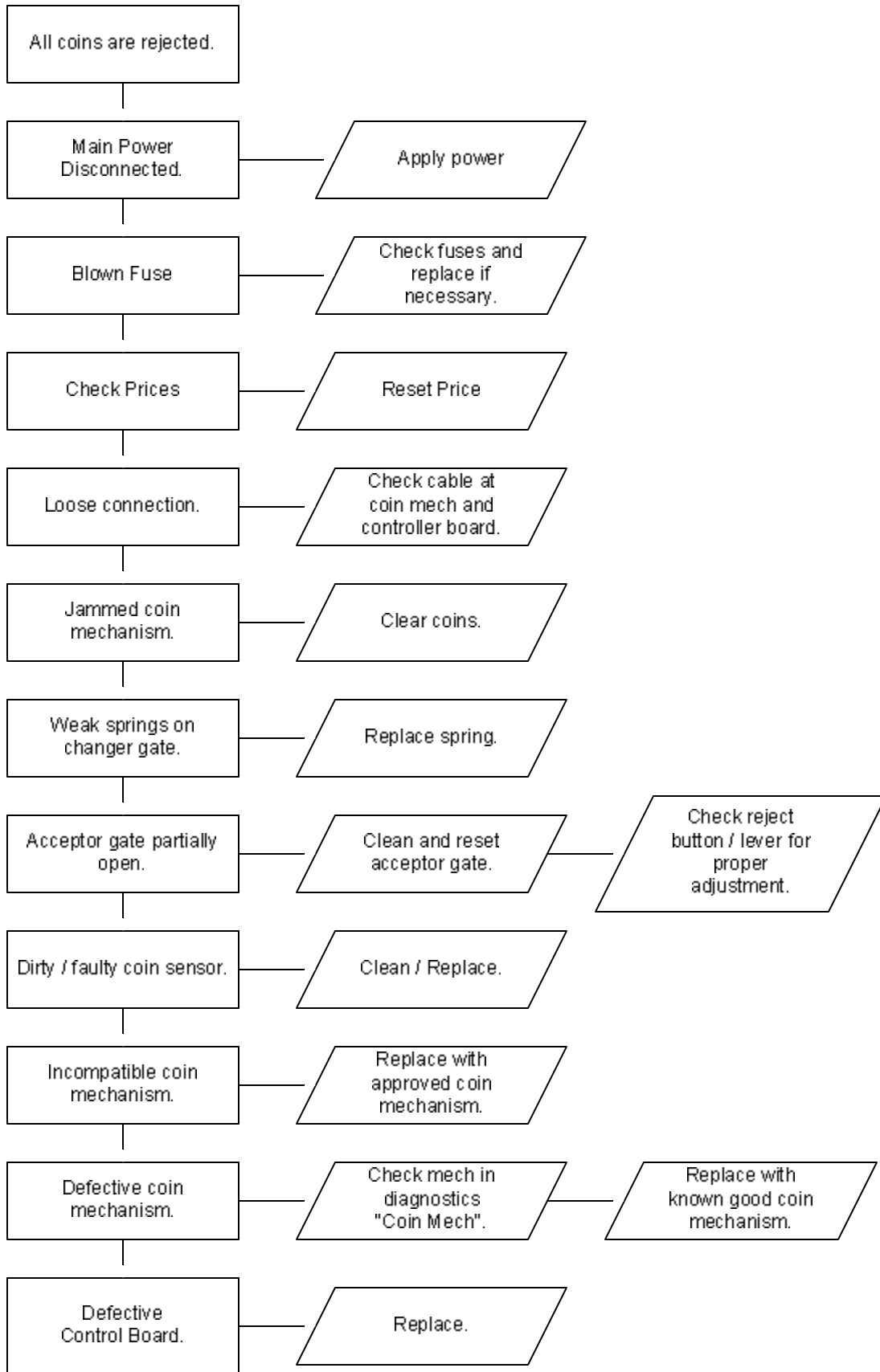
SBC CONTROL BOARD

- P1 Motor
- P2 Secondary DEX
- P3 Display
- P4 Select Switches
- P5 Temp Sensor
- P7 MDB
- P8 Energy Management
- P10 Sold Out LED's
- P11 Ready to Vend
- J1 AC Power
- J2 DEX
- J4 Cam / Sold Out
- B1 Battery
- S1 Service Switch

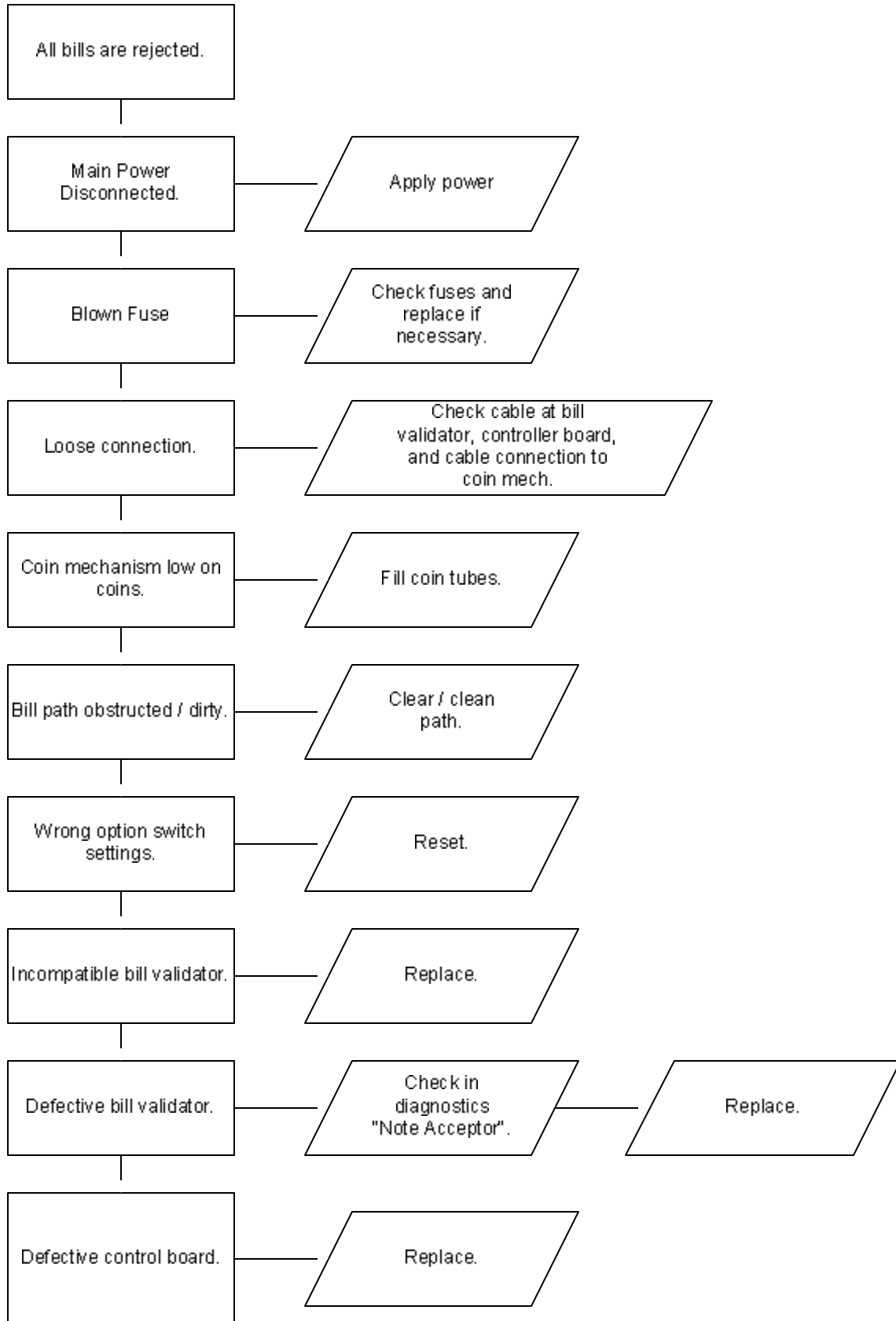
TROUBLESHOOTING FLOWCHARTS

These charts are intended to isolate and correct most problems you might encounter.

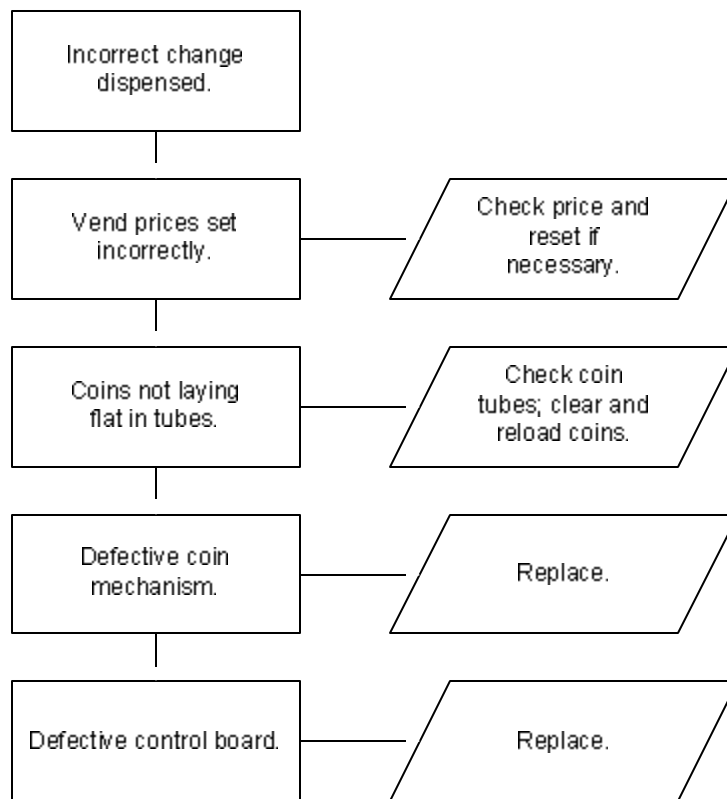
ALL COINS ARE REJECTED



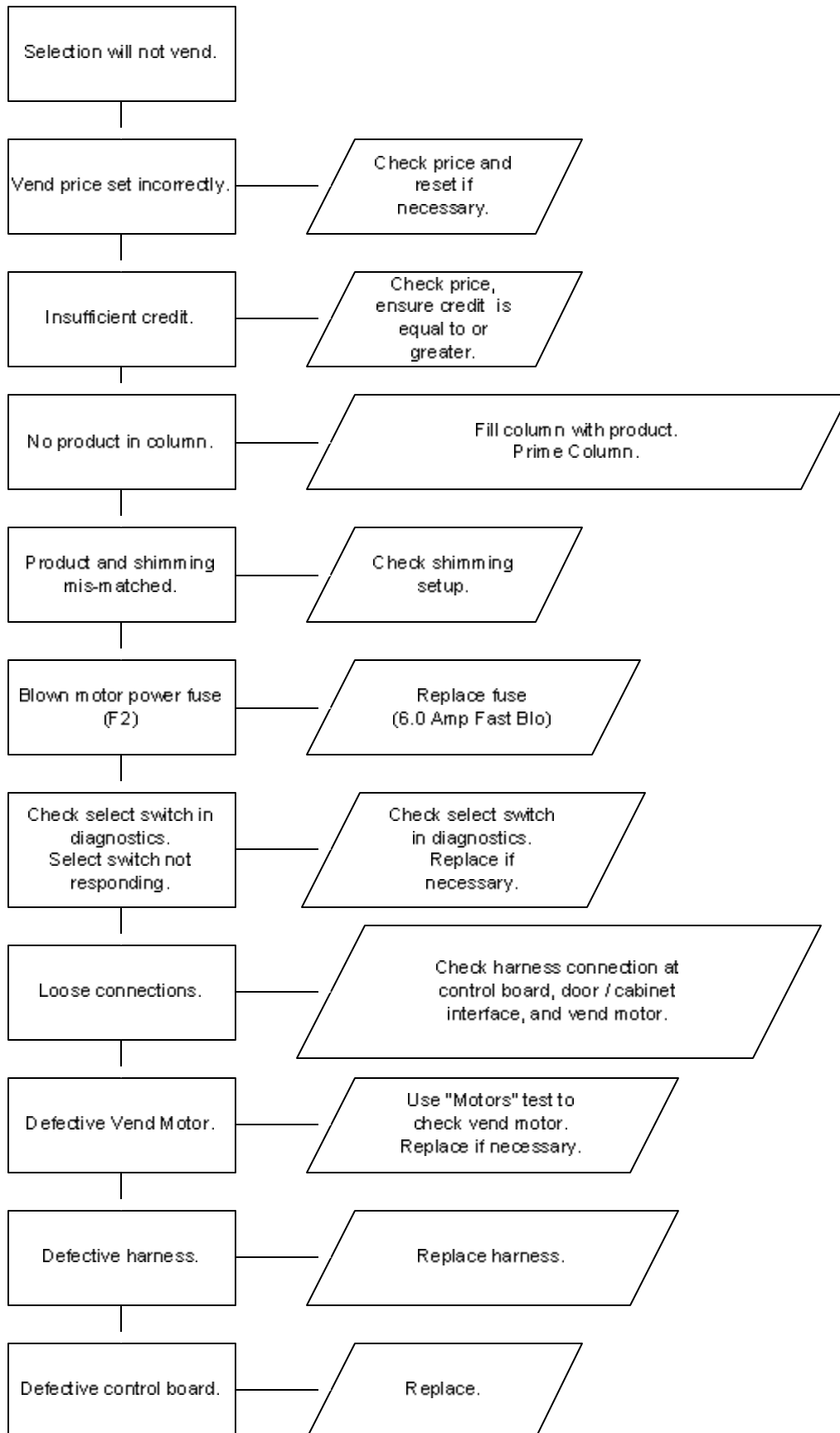
ALL BILLS ARE REJECTED



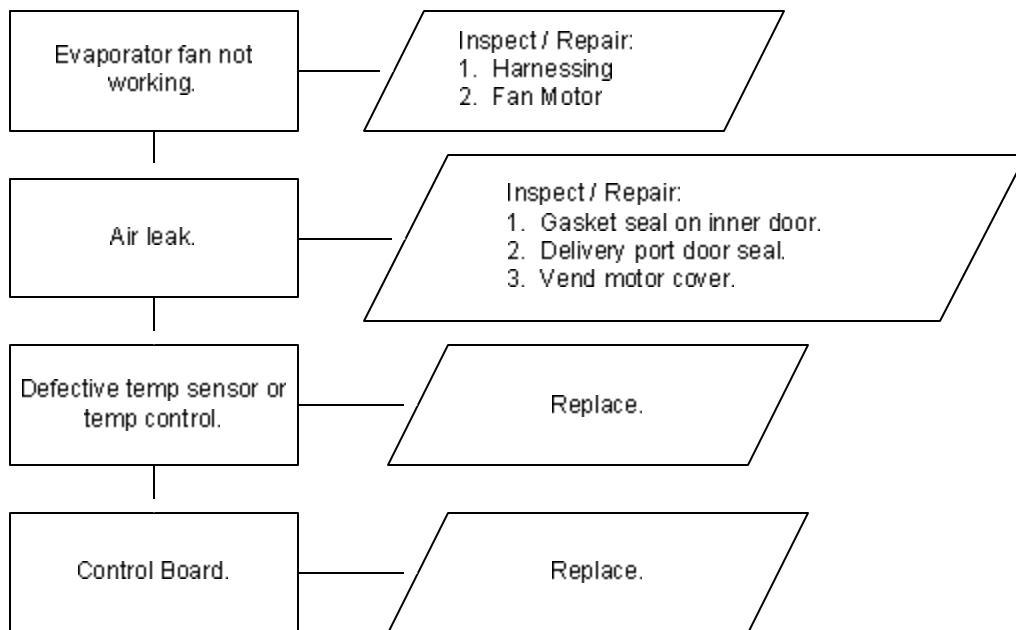
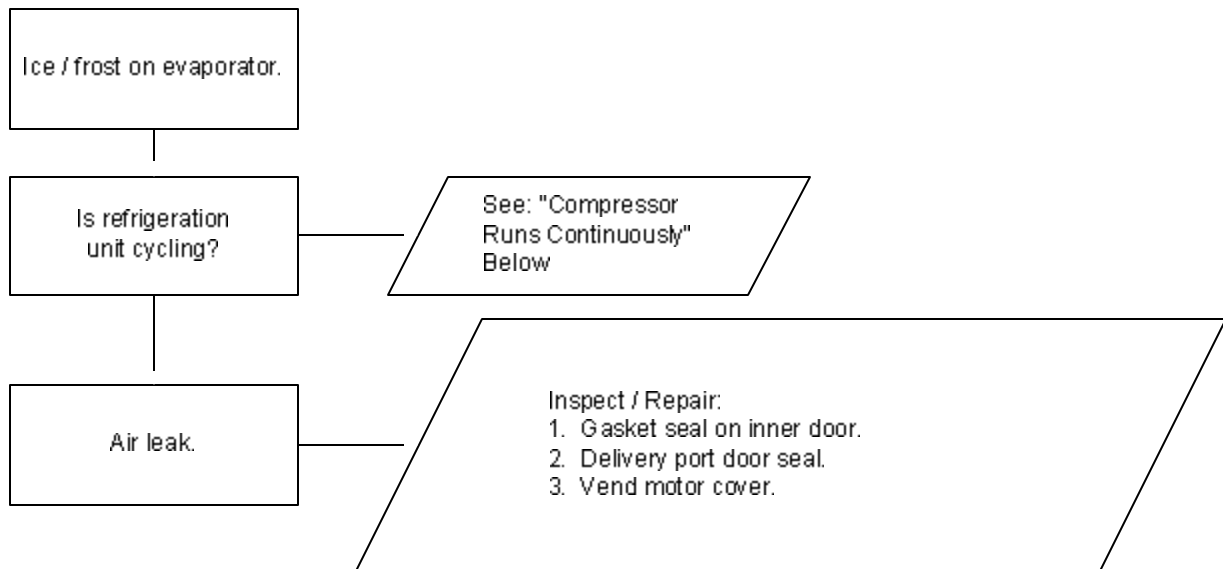
INCORRECT CHANGE DISPENSED



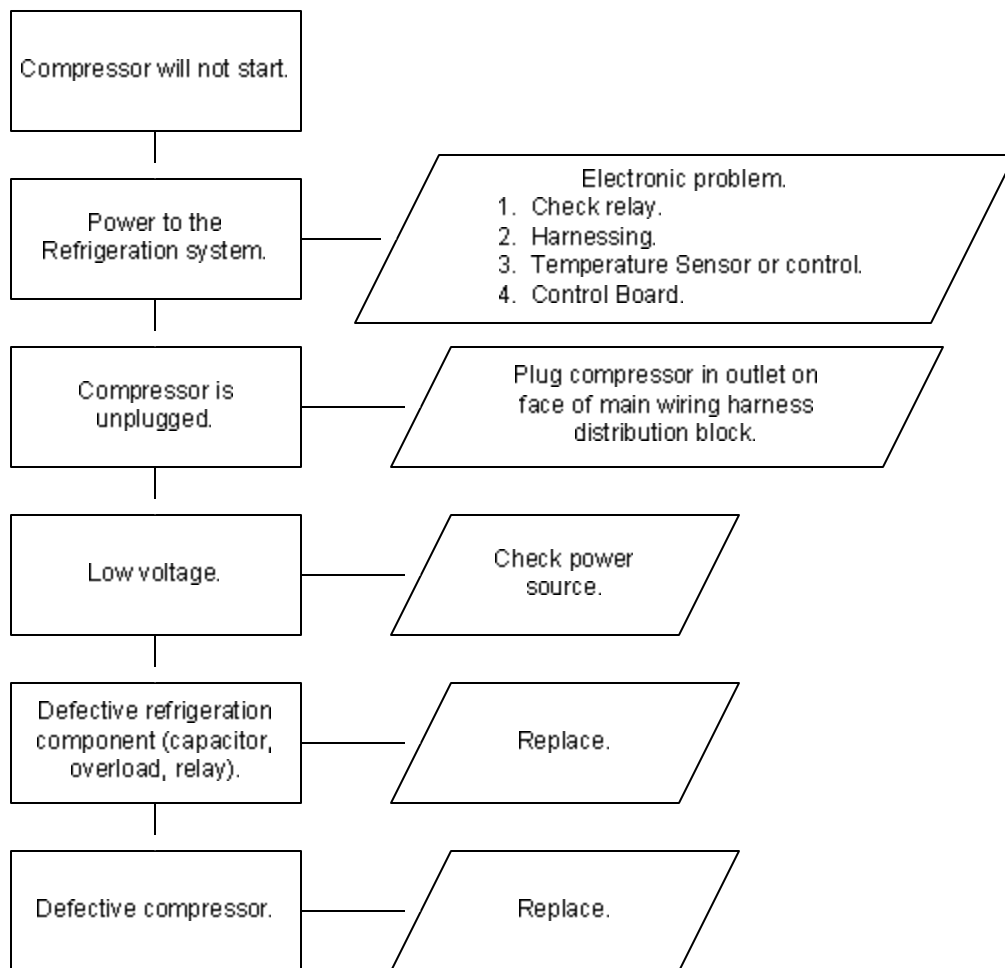
SELECTION WILL NOT VEND



ICE / FROST ON EVAPORATOR

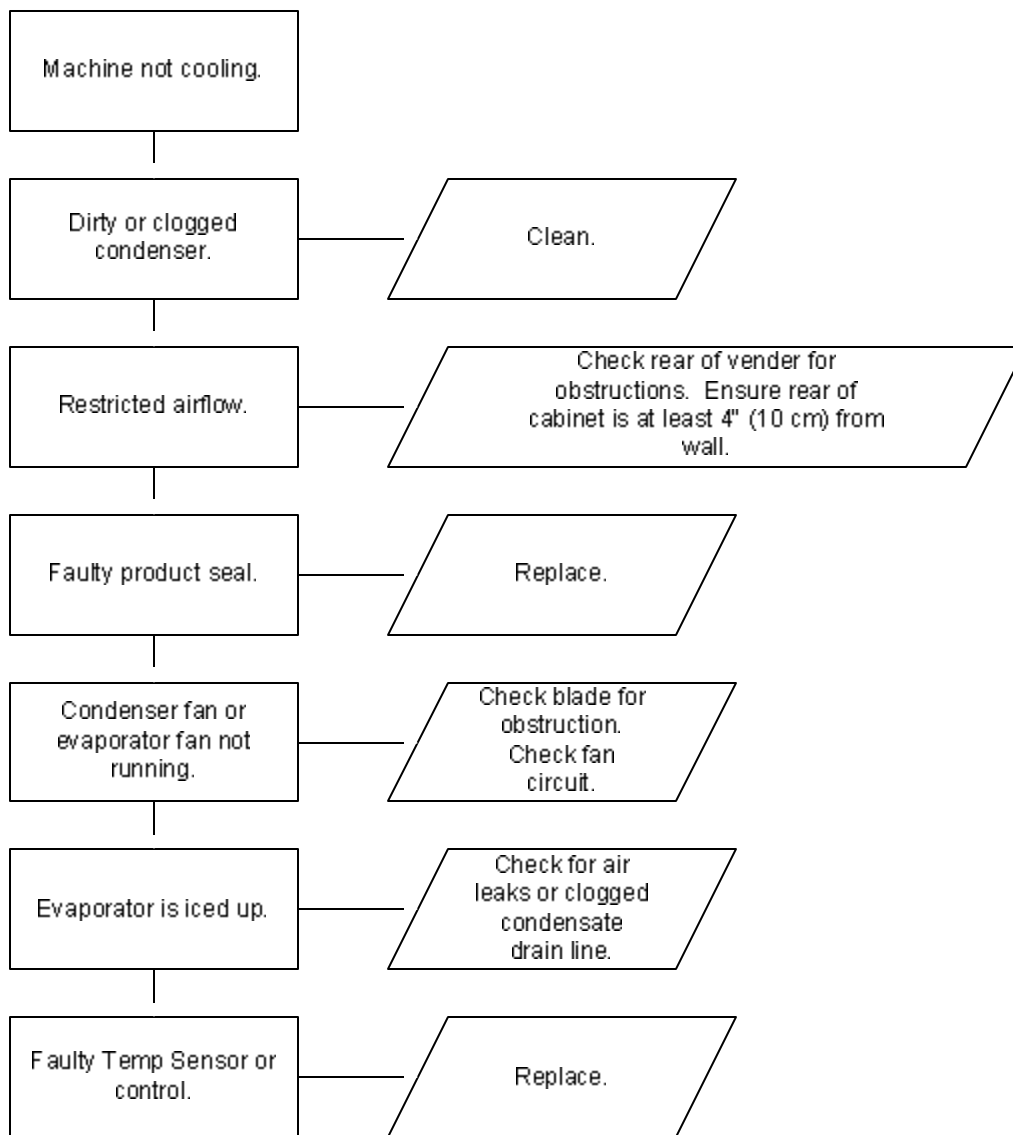


COMPRESSOR WILL NOT START



Troubleshooting Tip: Use a short 15 Amp extension cord and plug the compressor directly into the wall outlet. This will bypass the Electronic Controls.
Note: For Testing Purposes Only.

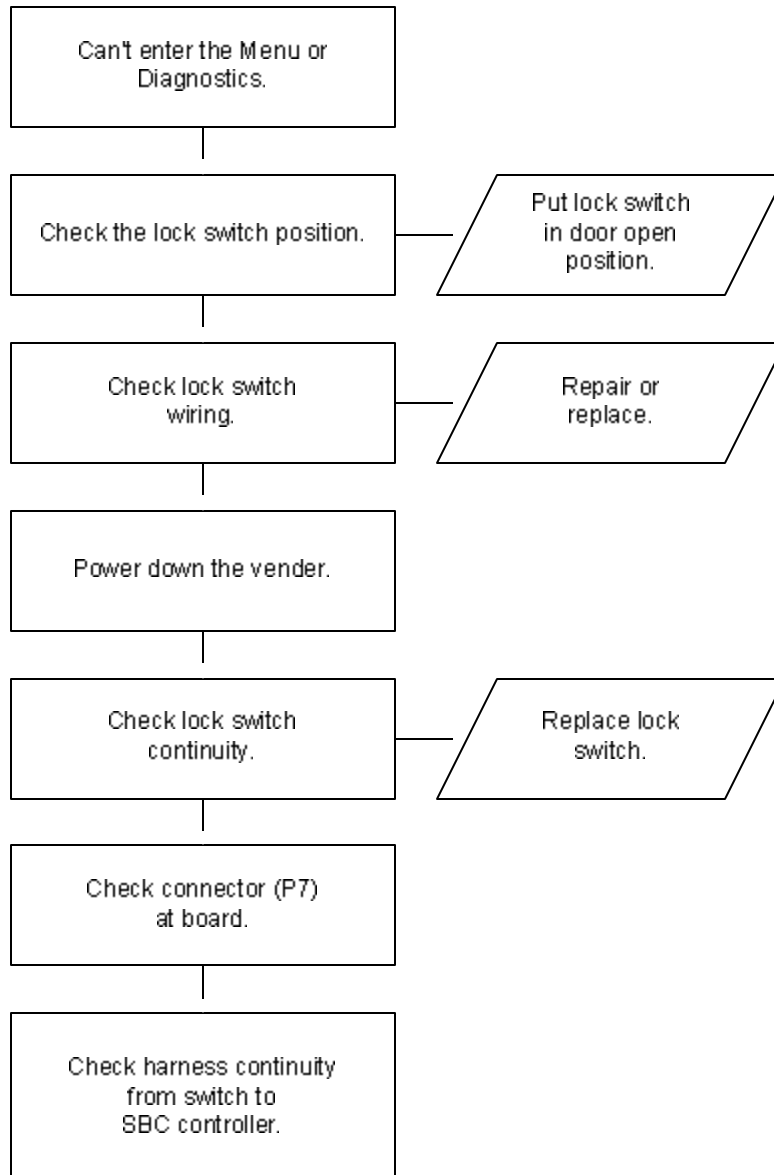
MACHINE NOT COOLING



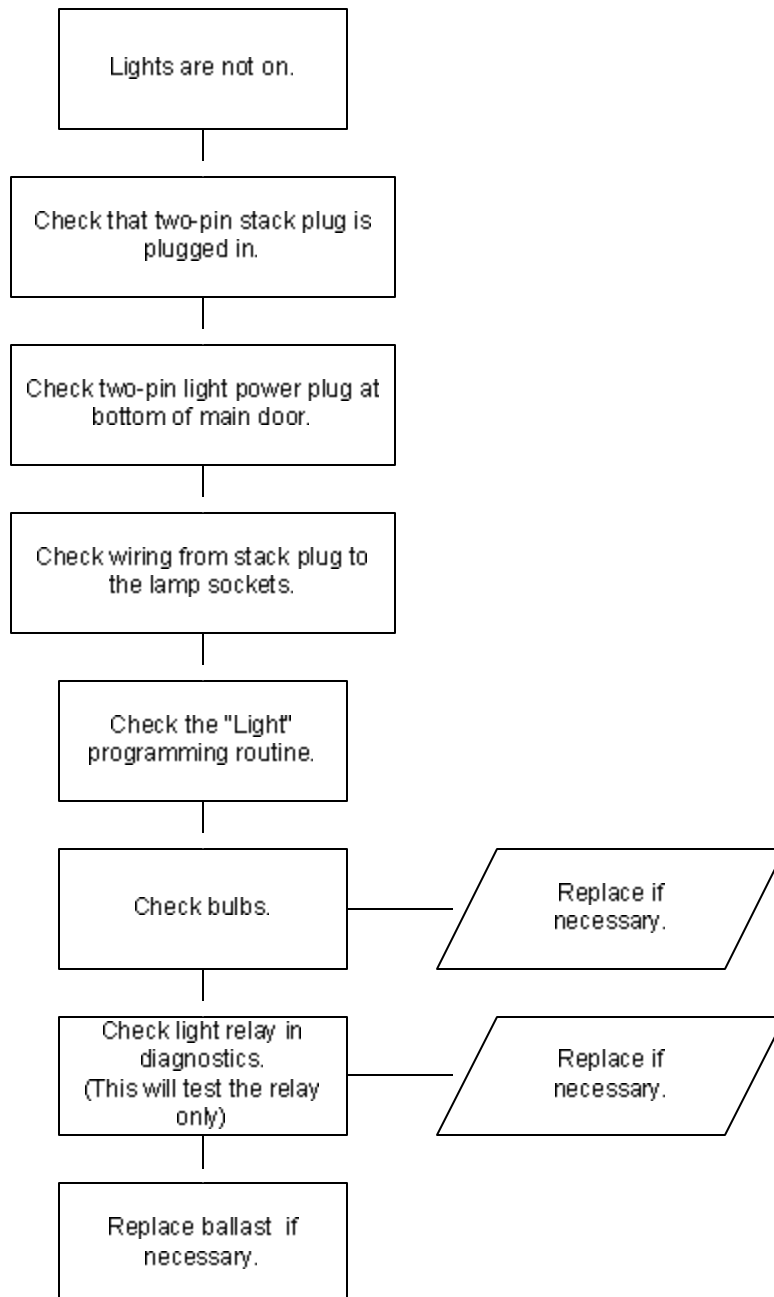
CAN'T ENTER THE MENU OR DIAGNOSTICS



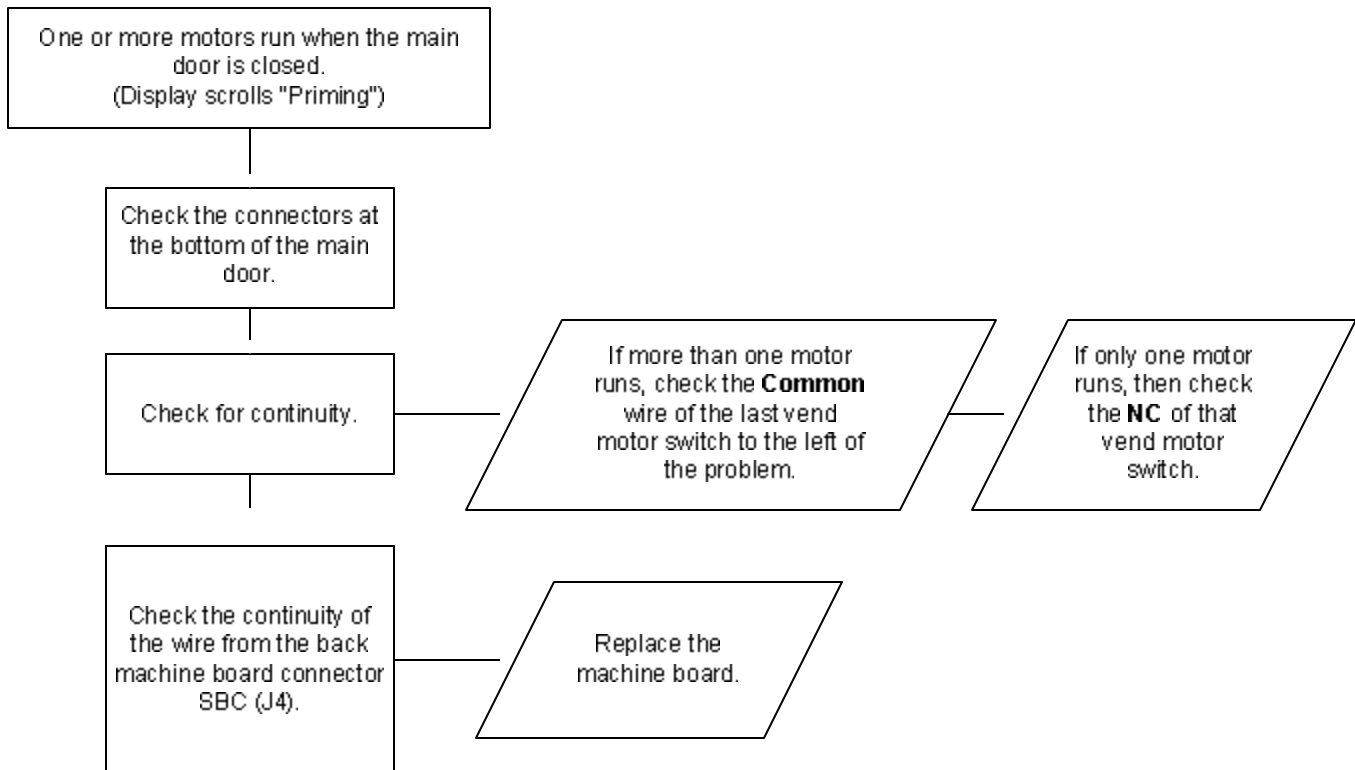
Note: Prior to checking wires or connections, ensure power has been removed from vender.



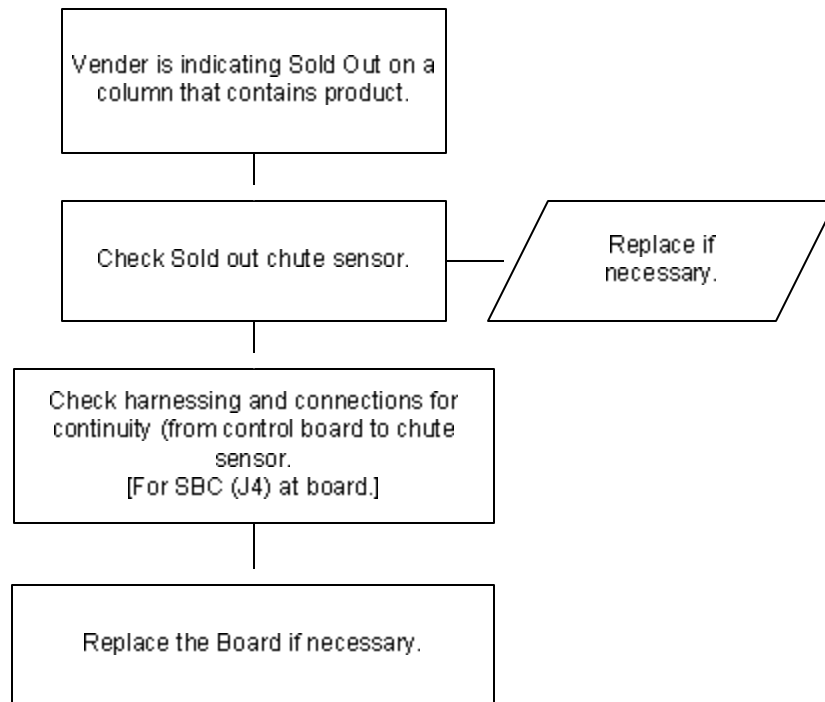
LIGHTS ARE NOT ON



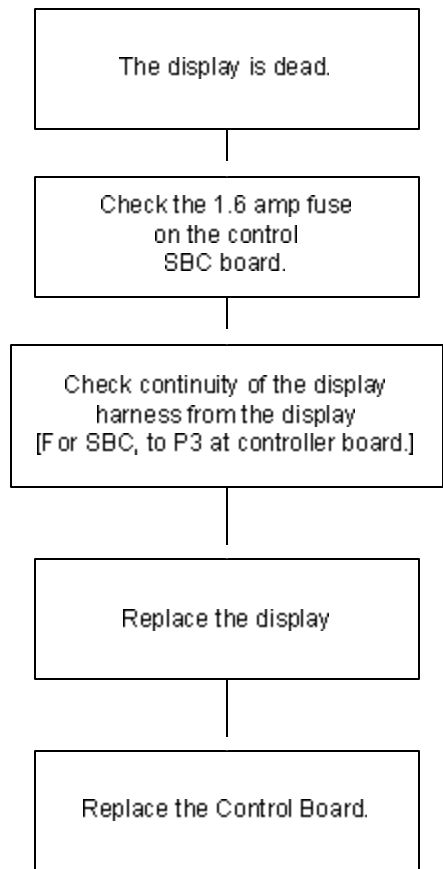
ONE OR MORE MOTORS RUN WHEN MAIN DOOR IS CLOSED
(Display Scrolls "PRIMING")



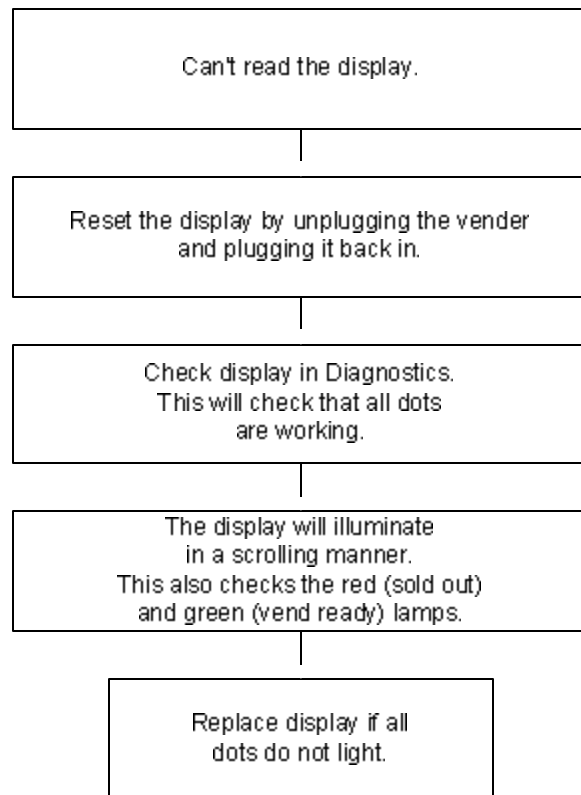
SOLD OUT

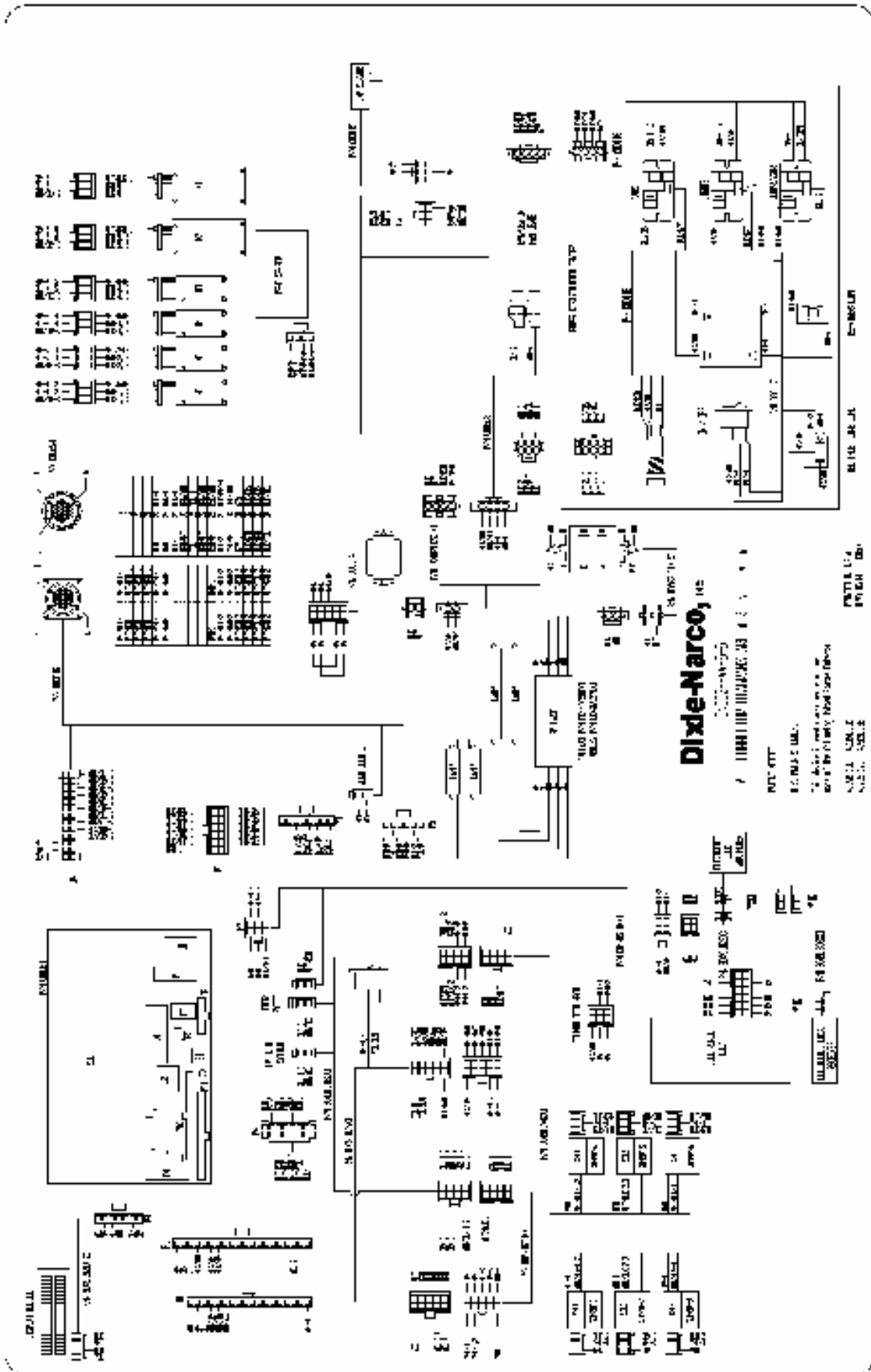


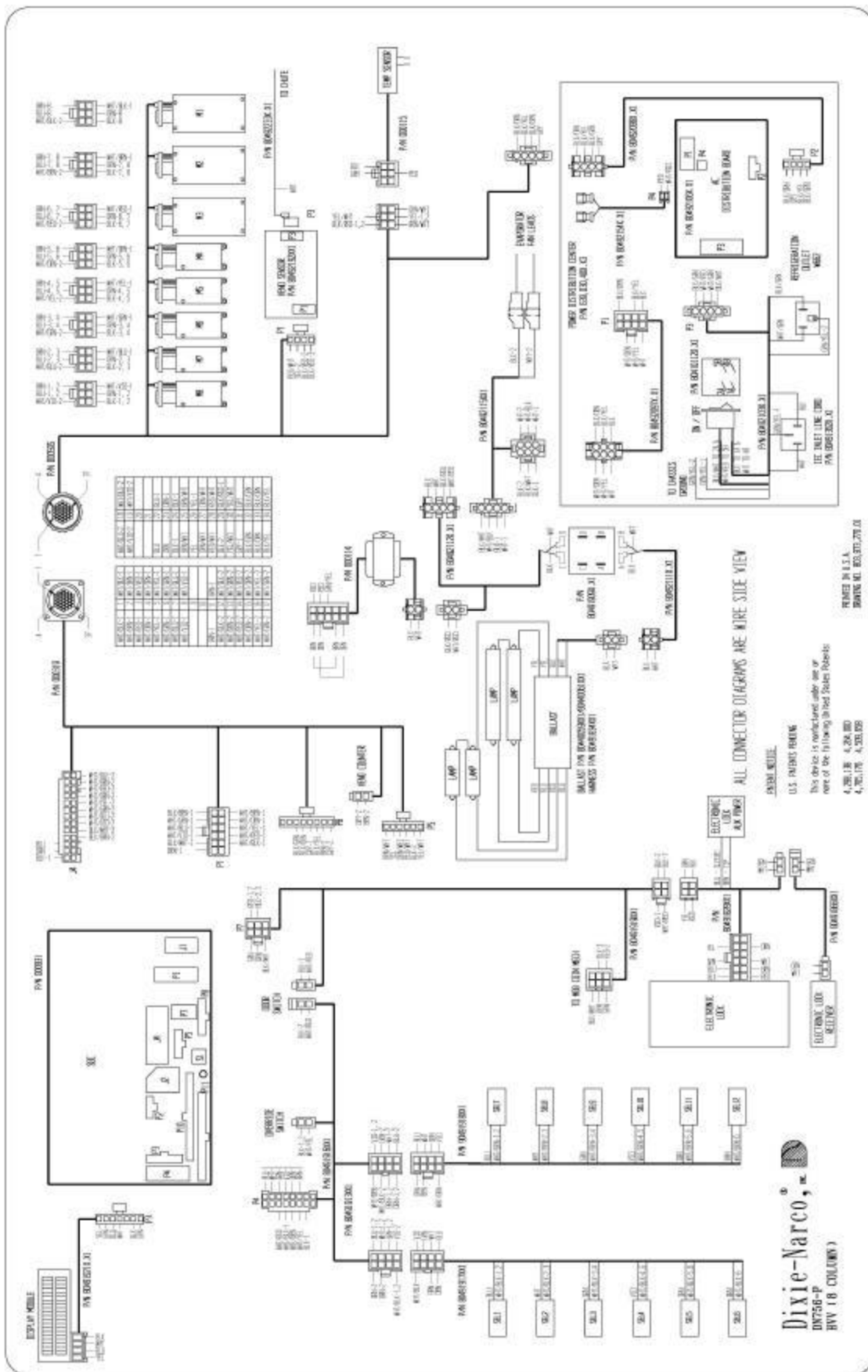
THE DISPLAY IS DEAD



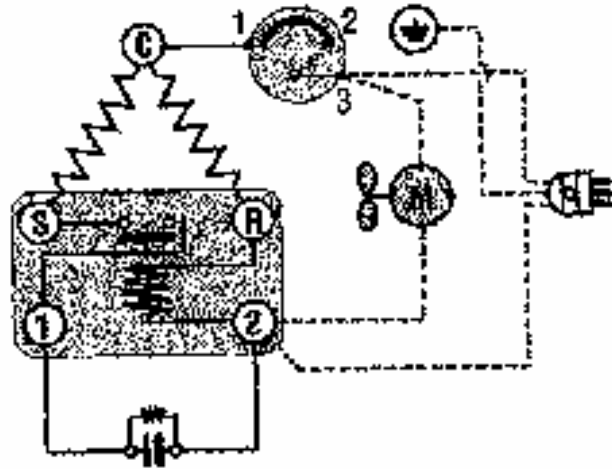
CAN'T READ THE DISPLAY





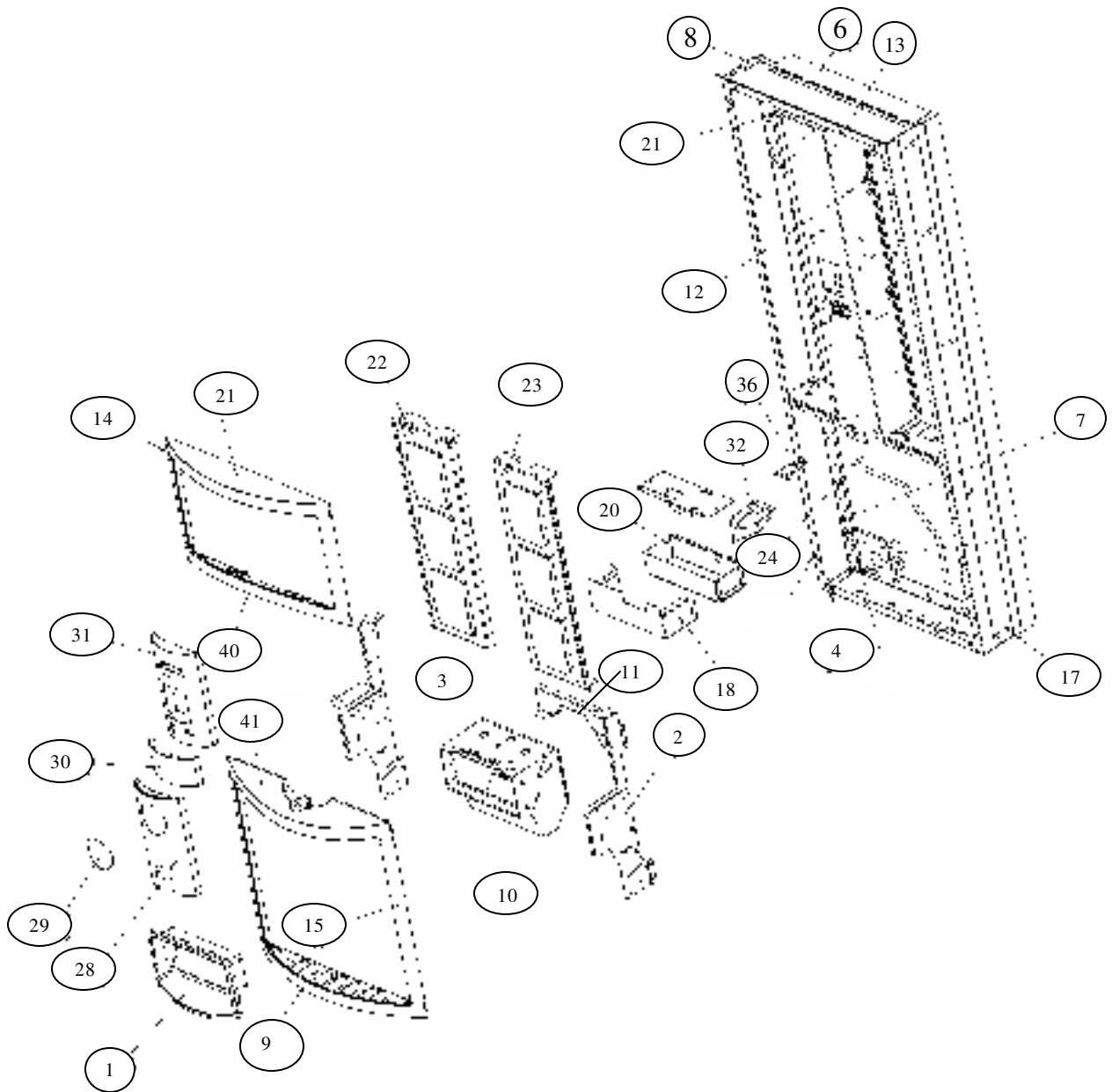


Refrigeration Circuit Diagrams



	Compressor
	Compressor Start Relay with Capacitor Connections
	Start Capacitor
	Overload Protector
	Fan
	Single Phase Motor
	Earth Connection
	Single Phase Supply
	Common
	Run
	Start
	Factory Made Connections
	Connections to be made

MAIN DOOR EXTERIOR

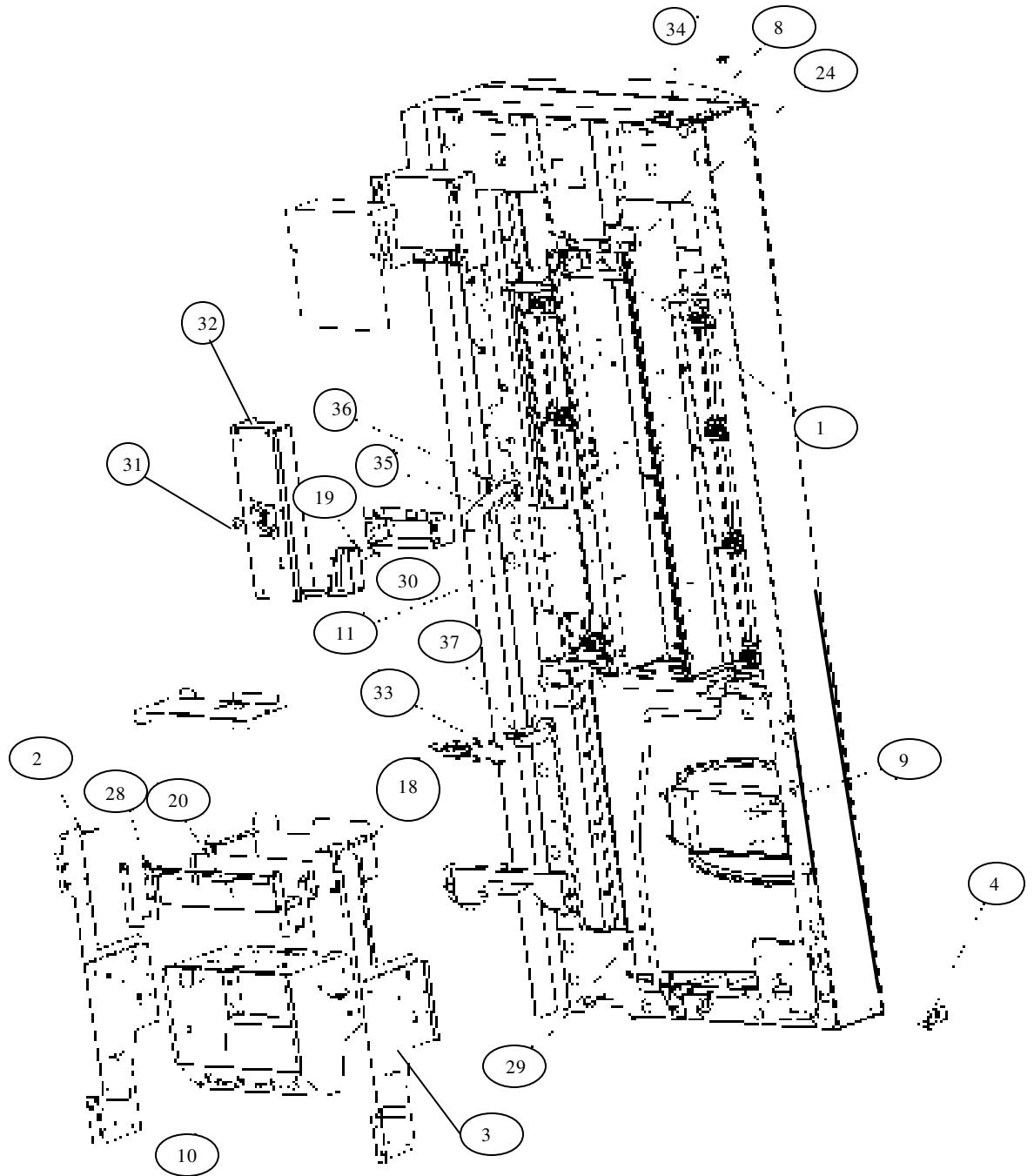


MAIN DOOR EXTERIOR

ITEM	PART DESCRIPTION	DN552P	DN756P
	Main Door Assembly HVV 6	631,153,30x.x3	631,153,40x.x3
	Door Weld Assembly (Blue)	631,054,10x.x3	631,050,10x.x3
1	Port Trim (Trim, Spacer Bezel)	801,815,22x.x1	801,815,22x.x1
2	Port Support (Right)	631,051,23x.x3	Same
3	Port Support (Left)	631,153,20x.x3	Same
4	Door, Stop	631,001,43x.x3	631,051,24x.x3
5	Kit, Door Harness & Controller	640,010,20x.x3	640,010,30x.x3
6	Guard, Rain (Blue)	631,051,16x.x3	631,051,17x.x3
7	Weld assembly Hinge Bottom	631,152,40x.x3	Same
8	Weld assembly Hinge Top (Blue)	631,051,14x.x3	Same
9	Gasket, L Profile	803,601,11x.x1	803,601,12x.x1
10	Delivery Port Assembly	631,001,70x.x3	Same
11	Closure strip	609,050,14x.x3	Same
12	Support, Center Column	631,050,44x.x3	Same
13	Rail, Support	631,050,54x.x3	Same
14	Trim, Top (Pepsi) – Blue	631,051,38x.x3	631,051,41x.x3
	Trim Top Sign	NA	631,051,43x.x3
15	Trim, Bottom (Pepsi) - Blue	631,051,39x.x2	631,051,42x.x3
16	Support, Lamp Bracket	631,050,61x.x3	NA
17	Protective Plate Blue	631,050,89x.x3	Same
18	Weld assembly Cash Box Mount	631,051,10x.x3	Same
19	Poron, 1/8 x 1/4 x 9-3/8 (not shown)	801,816,09x.x1	NA
20	Assembly, Cash Box	631,052,10x.x3	Same
21	Assembly, Cap Select Panel Top Blue	801,815,03x.x1	801,814,64x.x1
22	Assembly, Select Panel Left (Blue)	631,056,50x.x3	631,051,70x.x3
23	Assembly, Select Panel Right (Blue)	631,056,80x.x3	631,051,60x.x3
24	Drain Hose	801,904,03x.x1	Same
25	Screw, 6-20 x 3/8 SD Phil Pan	800,303,22x.x1	Same
26	Hex Nut #10 – 32	900,800,65x.x1	Same
27	Screw, HI-LO Hex Washer #8 – 5/8	800,303,54x.x1	Same
28	Bottom Column Cover	801,813,30x.x1	Same
29	Medallion, Pepsi	803,864,94x.x1	Same
30	Center Column Cover	801,813,70x.x1	Same
31	Top Column Cover	801,814,13x.x1	Same
32	Ramp, Coin (Blue)	801,814,35x.x1	Same
33	Chute, Lower Coin (Blue)	801,814,36x.x1	Same
34	Sign, HVV (Top)	805,032,63x.x1	805,032,65x.x1
35	Sign, HVV (Bottom)	805,034,71x.x1	805,034,69x.x1
36	Assembly, Cap Bottom Panel	801,815,01X.X1	801,814,76x.x1
37	Assembly, Cap Top Panel	801,814,99X.X1	801,814,63x.x1

Part number and description subject to change with out notice.

MAIN DOOR INTERIOR (A)

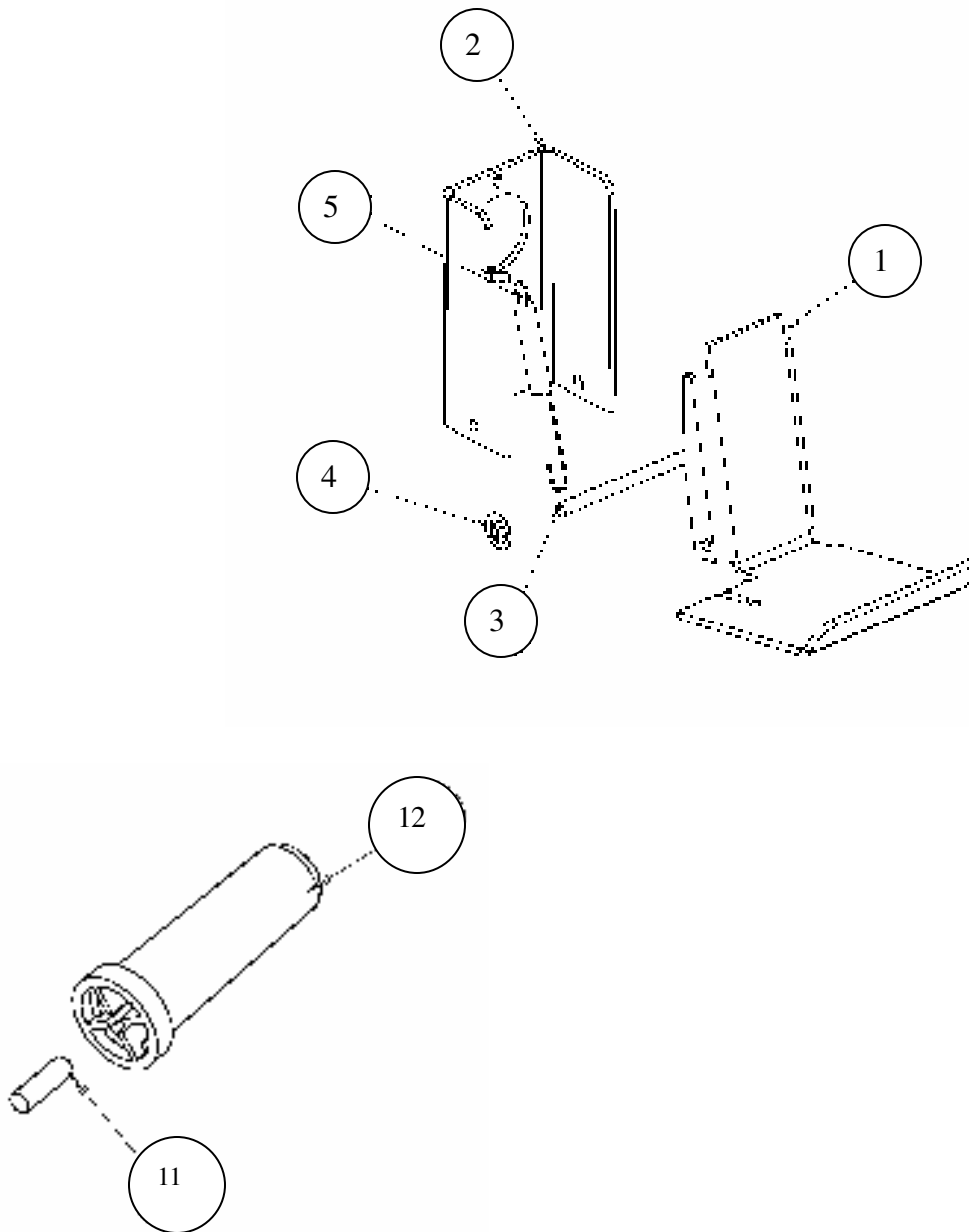


MAIN DOOR INTERIOR (A)

ITEM	PART DESCRIPTION	DN552P	DN756P
1	Closure Strip	609,050,14x.x3	Same
2	Port Support (Right)	631,051,23x.x3	Same
3	Port Support (Left)	631,153,20x.x3	Same
4	Door, Stop (Blue)	631,001,43x.x3	631,051,24x.x3
5	Nut, Hex 8 – 32	900,800,81x.x1	Same
6	Clamp, Cable 1" Heyco 3390	901,901,89x.x1	Same
7	Tie, Wire 7 ½	901,902,01x.x1	Same
8	Weld assembly Hinge Top (Blue)	631,051,14x.x3	Same
9	Port Trim (Trim, Spacer Bezel)	801,815,22x.x1	801,814,08x.x1
10	Delivery Port Assembly	631,001,70x.x3	Same
11	Mount, Coin Mech	631,050,13x.x3	Same
12	Screw, SD Phil Pan Sems 8 – 18 x ½	900,301,65x.x1	Same
13	Screw, Tap ¼ - 20 x 1	900,301,73x.x1	Same
14	Screw, Phil Pan 8-18 x ½	900,301,84x.x1	Same
15	Screw, 8 – 32 x ¼ Phil Pan	900,301,97x.x1	Same
16	Bolt, Tee 8 – 32 x ¾	900,400,35x.x1	Same
17	Hex Nut #10 – 32	900,800,65x.x1	Same
18	Weld assembly Cash Box Mount	631,051,10x.x3	Same
19	Assembly, Coin Return	631,052,00x.x3	Same
20	Assembly, Cash Box	631,052,10x.x3	Same
21	Bolt, Carriage ¼ - 20 x 1 ¼	900,201,23x.x1	Same
22	Bolt, Carriage ¼ - 20 x ½	900,201,45x.x1	Same
23	Bolt, Carriage ¼ - 20 x ¾	900,201,56x.x1	Same
24	Support Center Column	631,050,44x.x3	Same
25	Screw, 10-32 x ½	900,201,14x.x1	Same
26	Screw, Self drilling 8-18 x ½	900,301,50x.x1	Same
27	Ground Wire 4"	804,902,61x.x1	Same
28	Support, Lamp Bracket	631,050,61x.x3	NA
29	Hose, Drain	801,904,03x.x1	Same
30	Assembly, Push Button Coin Return	801,814,22x.x1	Same
31	Assembly Light Pipe	801,815,42x.x1	801,819,19x.x1
32	Assembly E Lock	805,202,44x.x1	Same
33	Kydex Light Shield	NA	801,904,24x.x1
34	Gasket, L Profile	803,601,11x.x1	803,601,12x.x1
35	Coin Chute Cover	801,814,39x.x1	Same
36	Chute Coin Insert	801,814,40x.x1	Same
37	Coin Return Ramp (Blue)	801,814,35x.x1	Same

Part number and description subject to change with out notice.

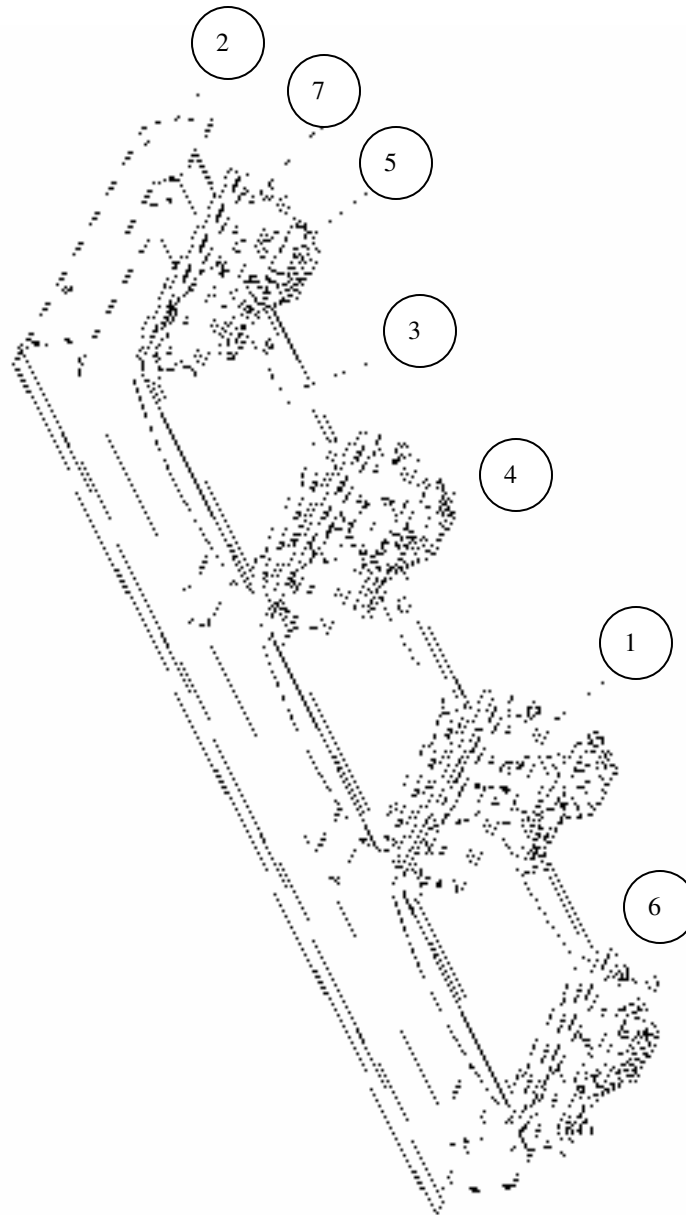
MAIN DOOR INTERIOR (B)



ITEM	DESCRIPTION	DN552P	DN756P
	Assembly Coin Return	631,052,00x.x3	Same
1	Coin Return Rocker	631,050,17x.x3	Same
2	Coin Return Mounting Bracket	631,050,18x.x3	Same
3	Roller Pin 5/32 x 2 3/8	900,502,19x.x1	Same
4	Roller Pin Retainer	900,900,90x.x1	Same
5	Coin Return Spring	901,700,63x.x1	Same
11	Pin, Coin Return	800,503,27x.x1	Same
12	Push Button, Coin Return	801,814,22x.x1	Same

Part number and description subject to change with out notice.

SELECT PANEL



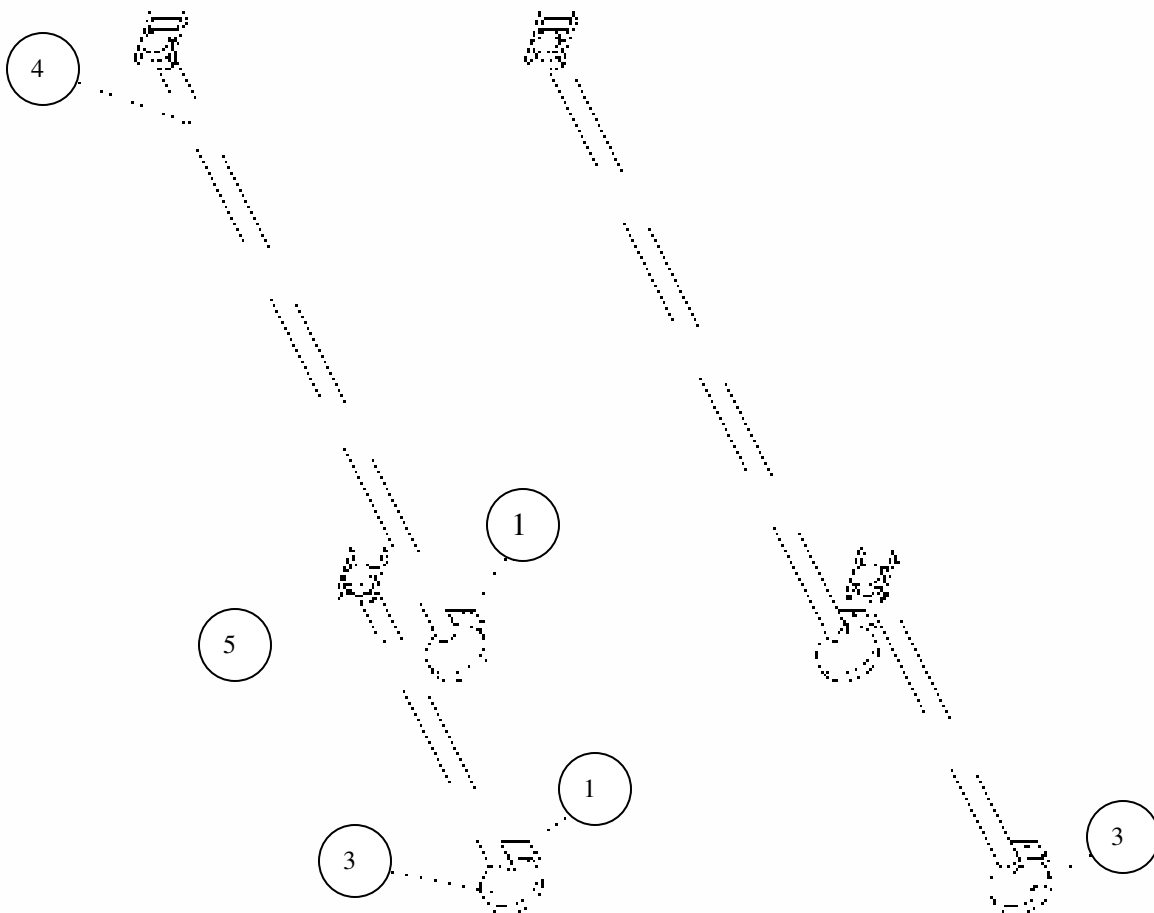
ITEM	PART DESCRIPTION	DN552P	DN756P
	Select Panel Assembly, Right Pepsi HVV (Blue)	631,056,80x.x3	631,051,60x.x3
	Select Panel Assembly, Left Pepsi HVV (Blue)	631,056,50x.x3	631,051,70x.x3
1	Bracket, Switch/ Button HVV	631,050,64x.x3	631,050,16x.x3
2	Stud Select Panel Assembly, Right Pepsi (Blue)	631,056,90x.x3	631,051,80x.x3
2a	Stud Select Panel Assembly, Left Pepsi (Blue)	631,056,70x.x3	631,051,90x.x3
3	Select Button	801,814,01x.x1	Same
4	Assembly, HVV Select Switch Holder	801,815,33x.x1	Same
5	Holder, Select Switch & Sold Out HVV	801,815,34x.x1	Same
6	Gasket Poron	801,815,39x.x1	801,814,25x.x1
7	Hex Nut 8 -32	900,800,50x.x1	Same
8	Light, Sold Out Red/Green (not shown)	804,700,75x.x1	Same
9	Select Button Decal (Light Pipe)	803,869,25x.x1	Same

Part number and description subject to change with out notice.

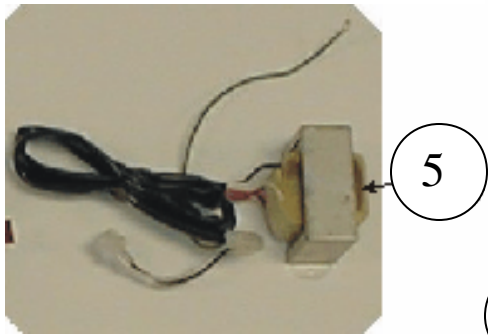
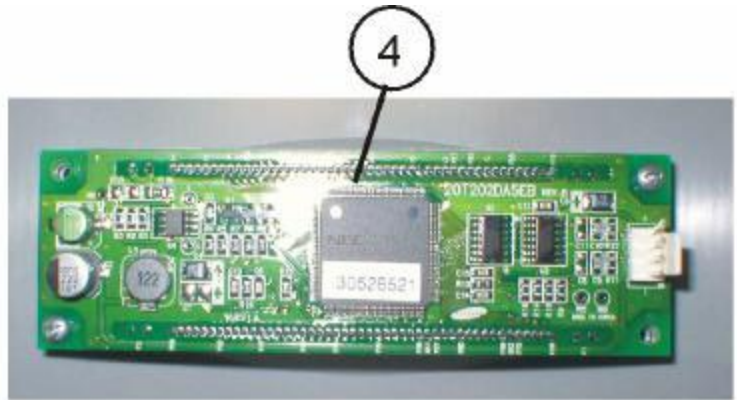
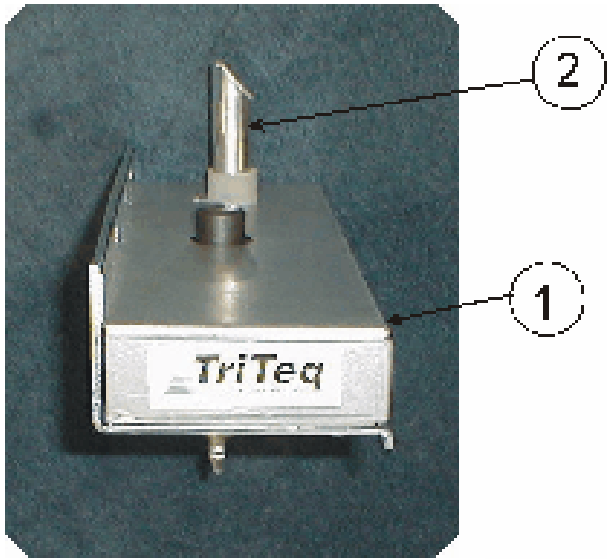
T8 LIGHTING

ITEM	PART DESCRIPTION	DN552P	DN756P
	Assembly, Ballast T8 PI	631,006,90x.x3	640,050,20x.x3
1	Bracket, Lamp Socket Top/Bottom	562,050,04x.x3	Same
2	Harness, T8 Lighting 4 Lamp (Not shown)	804,918,34x.x1	Same
3	Boot, Lamp	802,001,44x.x1	Same
4	Fluorescent Bulb (F32T8 / TL865) 4'	804,700,76x.x1	Same
5	Fluorescent Bulb (F17T8 / TL865) 2'	804,700,77x.x1	Same
6	Ballast Advance T8, 4 Lamp (Not Shown)	804,400,61x.x1	Same
7	Bracket, Lamp Socket Foldover (2)	631,000,98x.x3	Same
8	Top Lampholder T8 Leviton 518	804,918,58x.x1	Same
9	Bottom Lampholder T8 Leviton 519	804,918,59x.x1	Same
10	Ballast Cover	631,000,99x.x3	Same

Part number and description subject to change with out notice.



ELECTRONIC COMPONENTS

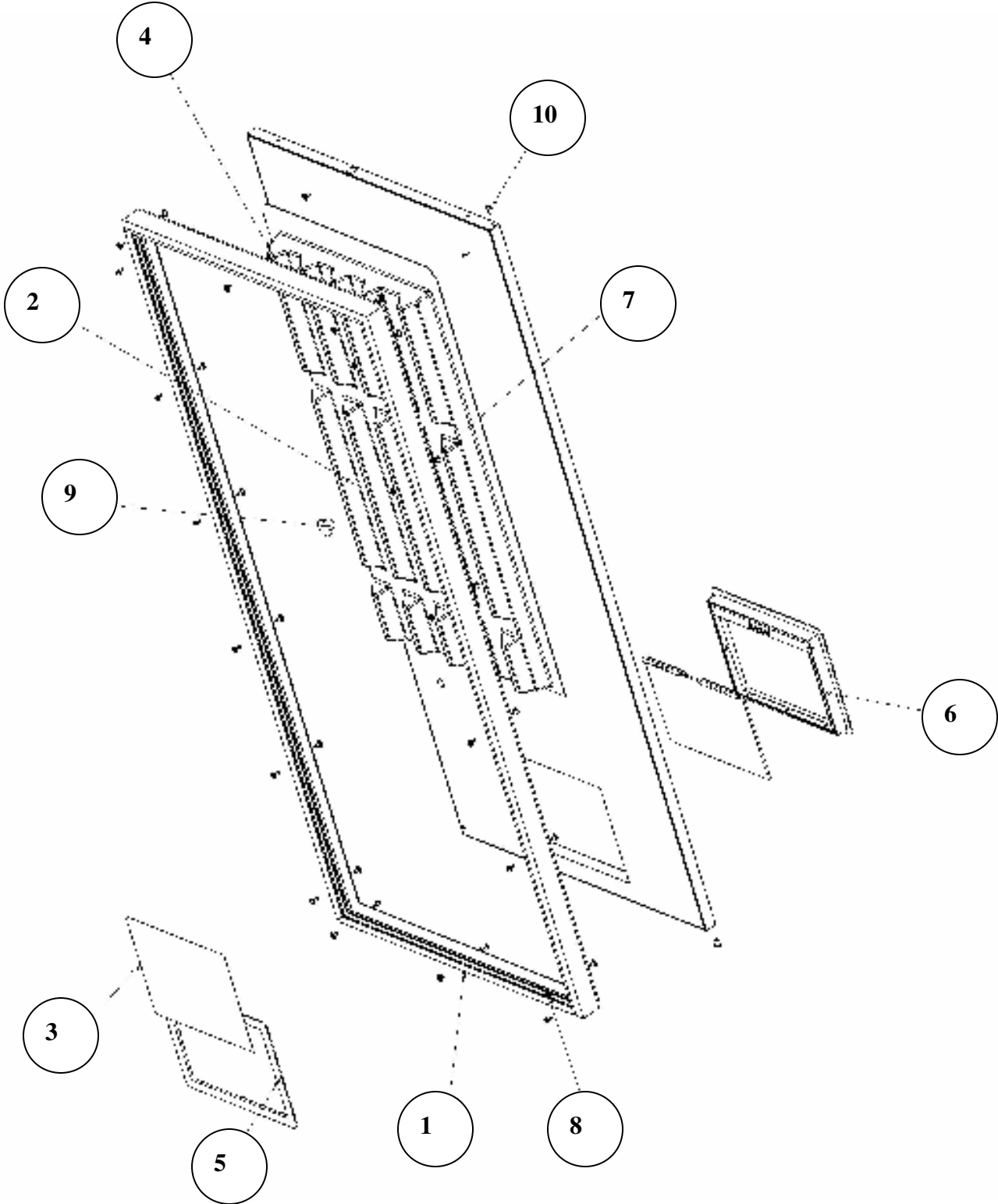


ELECTRONICS COMPONENTS

ITEM	PART DESCRIPTION	DN552P	DN756P
1	Electronic Lock Assembly	805,202,44x.x1	Same
2	Electronic Lock Light Pipe	801,815,42x.x1	801,814,19x.x1
3	Controller Cover	801,306,16x.x1	Same
4	Display Board Samsung	804,918,69x.x1	Same
5	Transformer, P-Series	804,922,14x.x1	804,922,14x.x1
6	Control Board Assembly SBC	640,010,10x.x3	Same
7	Fuse 1.6 Amp (F1) (Fast Acting)	804,800,71x.x1	Same
8	SBC Eprom Control Board	804,920,87x.x1	Same
9	Fuse 1.0 Amp (Slow Blow)	804,800,72x.x1	Same
10	Rain Curtain (Not Shown)	801,904,23x.x1	Same
11	Battery, 3V Lithium (CR2032)	804,920,45x.x1	Same
12	Vend Sensor Assembly	804,921,82x.x1	Same

Part number and description subject to change with out notice.

INNER DOOR



INNER DOOR

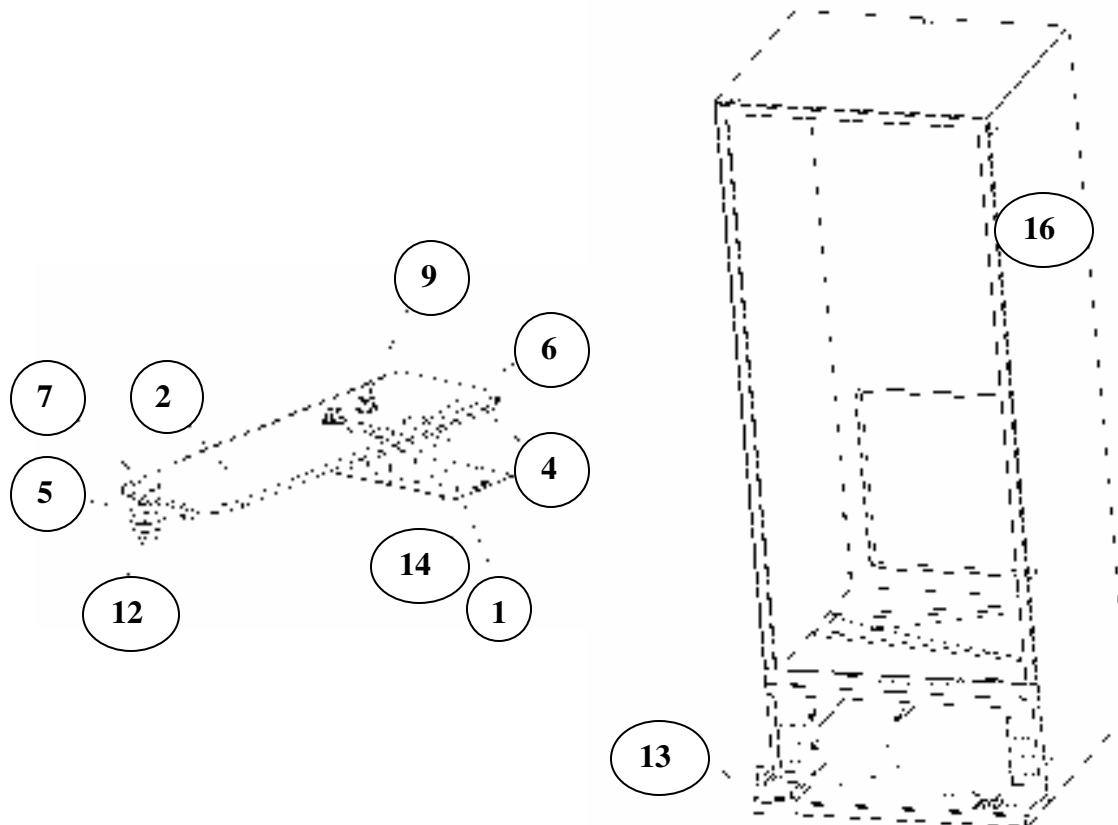
ITEM	PART DESCRIPTION	DN552P	DN756P
	Inner Door Assembly	640,050,60x.x3	639,050,20x.x3
1	Inner Door Gasket	801,819,05x.x1	801,819,04x.x1
2	Sub assembly Inner Door	640,050,70x.x3	639,050,30x.x3
3	Label, STS/Package Set Up	803,871,36x.x1	803,871,78x.x1
4	Gate, Front Product Positioner	801,819,15x.x1	Same
5	Retainer Frame	801,809,15x.x1	Same
6	Assembly, Discharge Door	801,809,16x.x1	Same
6A	Discharge Door	801,809,17x.x1	Same
6B	Discharge Frame	801,809,14x.x1	Same
6C	Rod Hinge	801,401,70x.x1	Same
7	Carriage Bolt ¼ - 20 x 1 1/4	900,201,23x.x1	Same
8	Screw, SD Phil Pan Sems 8 – 18 x 1/2	900,301,65x.x1	Same
9	Pull Knob	901,501,70x.x1	Same
10	Plastic Bearing	901,803,71x.x1	Same
10	Inner Door Bushing	801,806,42x.x1	Same
11	Bushing Retainer (Not Shown)	801,806,43x.x1	Same
12	Top Inner Door Hinge (Not Shown)	169,053,00x.x3	Same
13	Bottom Inner Door Hinge (Not Shown)	169,051,10x.x3	Same
14	Inner Door Lock Kit (Not Shown)	631,151,20x.x4	Same
15	Can Shim Box	640,050,09x.x3	Same

Part number and description subject to change with out notice.

**CABINET AND VEND MECHANISM
(SECTION 1)**

ITEM	PART DESCRIPTION	DN552P	DN756P
1	Cover Hinge Pocket	631,051,07x.x3	169,000,13x.x3
2	Hinge, Top (Main Door) – Blue	631,051,14x.x3	Same
3	Kit, Door Hinge – Blue	631,152,90x.x4	Same
4	Hinge, Spacer	169,000,15x.x3	Same
5	Bearing, Hinge – Pin less	805,300,42x.x1	Same
6	Bolt, Carriage 1/4 - 20 x 1 1/4	900,201,23x.x1	Same
7	Bolt, Carriage 5/16 – 18 x 1 1/4	900,201,85x.x1	Same
8	Screw, Self drilling 8-18x1/2	900,301,50x.x1	Same
9	Screw, Hex Tap 1/4 - 20 x 1	900,301,73x.x1	Same
10	Sleeve, bottom hinge	900,502,64x.x1	Same
11	Hex Nut 1/4 - 20	900,800,67x.x1	Same
12	Nut, Hex 5/16 – 18	900,801,02x.x1	Same
13	Hinge, Bottom (Main Door)	631,152,40x.x3	Same
14	Block, Foam	903,300,77x.x1	Same
15	Stack Supports (Not Shown)	639,070,26x.x3	Same
16	Foam Cabinet Assembly	640,060,20x.x3	639,060,20x.x3

Part number and description subject to change with out notice.

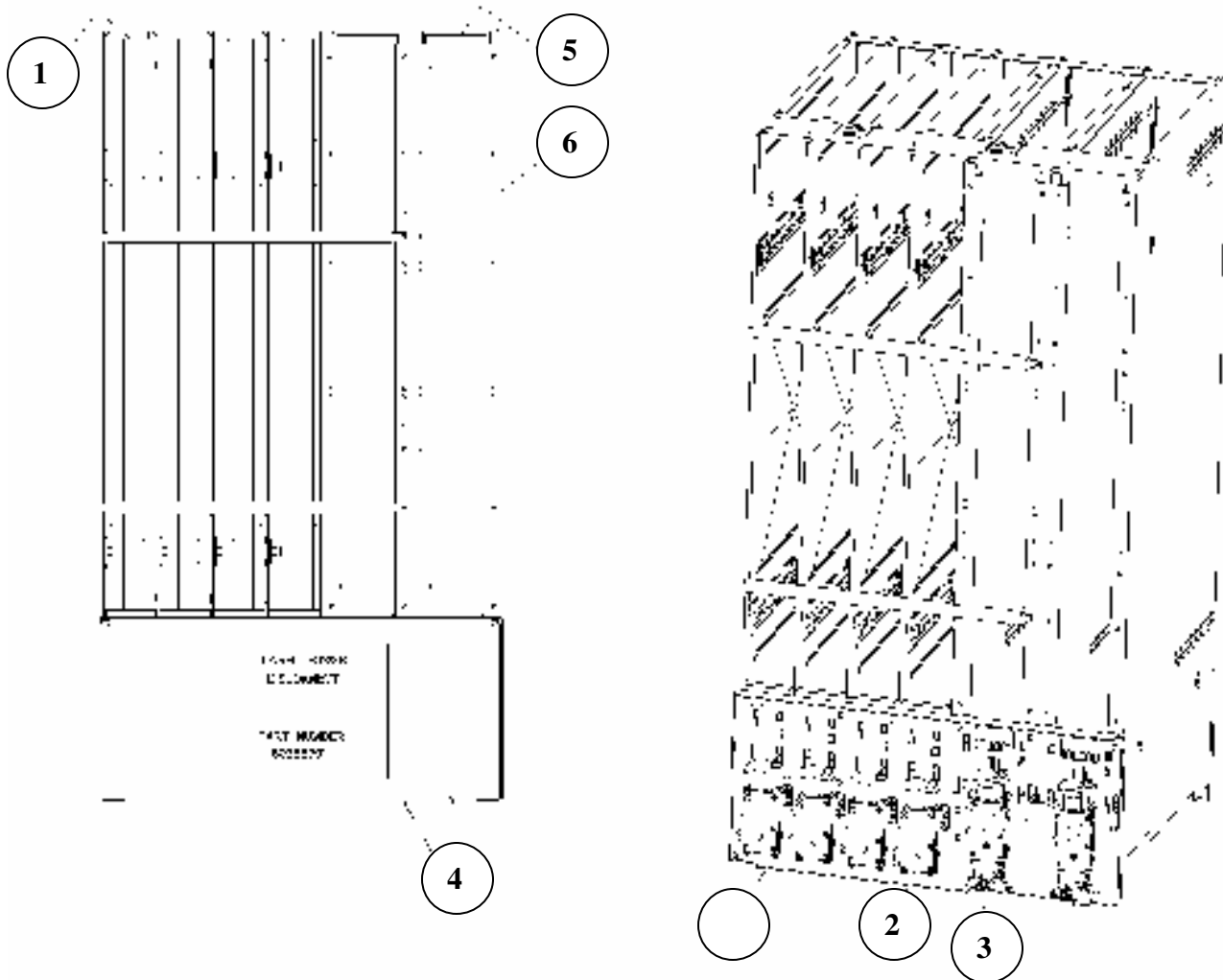


CABINET AND VEND MECHANISM

(SECTION 2)

ITEM	DESCRIPTION	DN552P	DN756P
1	Assembly Rear Spacer Narrow	639,075,00x.x3	Same
2	Vend Motor - Narrow Column	804,501,23x.x1	Same
3	Vend Motor - Wide Column	639,071,80x.x3	Same
4	Vend Motor Cover	640,070,45x.x3	639,070,55x.x3
5	Rear Spacer Wide	639,071,70x.x3	Same
6	Stack Assembly	640,070,90x.x3	639,070,00x.x3
7	Loading Rack (run 7644 & up)	801,402,66x.x1	Same
8	Loading Rack Bracket, Right (run 7644 & up)	640,070,17x.x3	Same
9	Loading Rack Bracket, Left (run 7644 & up)	640,070,16x.x3	Same
10	Loading Rack Latch (run 7644 & up)	640,070,15x.x3	Same
A9	Screw, Phil Pan 8-32x1	800,303,86x.x1	Same

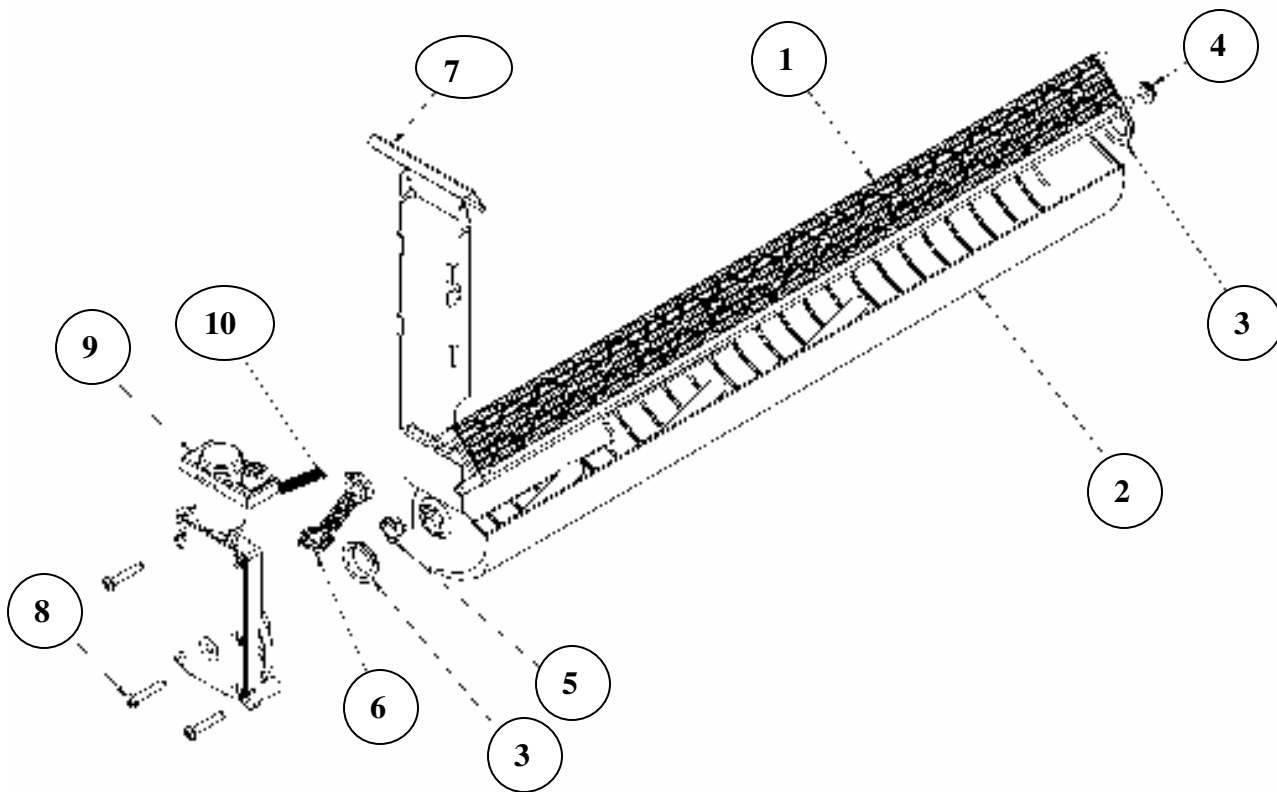
Part number and description subject to change with out notice.



CABINET AND VEND MECHANISM (SECTION 2)

ITEM	DESCRIPTION	DN552P	DN756P
1	Load Bar, Steel	801,306,59x.x1	Same
2	Vend Rotor - Narrow Column	801,201,79x.x1	Same
3	Nyliner, .750	801,819,52x.x1	Same
4	Nyliner, .312	801,819,53x.x1	Same
5	Bushing, .312 (Load Bar)	801,819,54x.x1	Same
6	Push Arm	801,819,55x.x1	Same
7	Front Gate Extension (Narrow)	639,070,14x.x3	Same
8	Screw, Phil Pan 8-32x1	800,303,86x.x1	Same
9	Vend Motor Assembly, Narrow (Electronic)	804,501,23x.x1	Same
10	Spring - Push Arm	801,701,51x.x1	Same

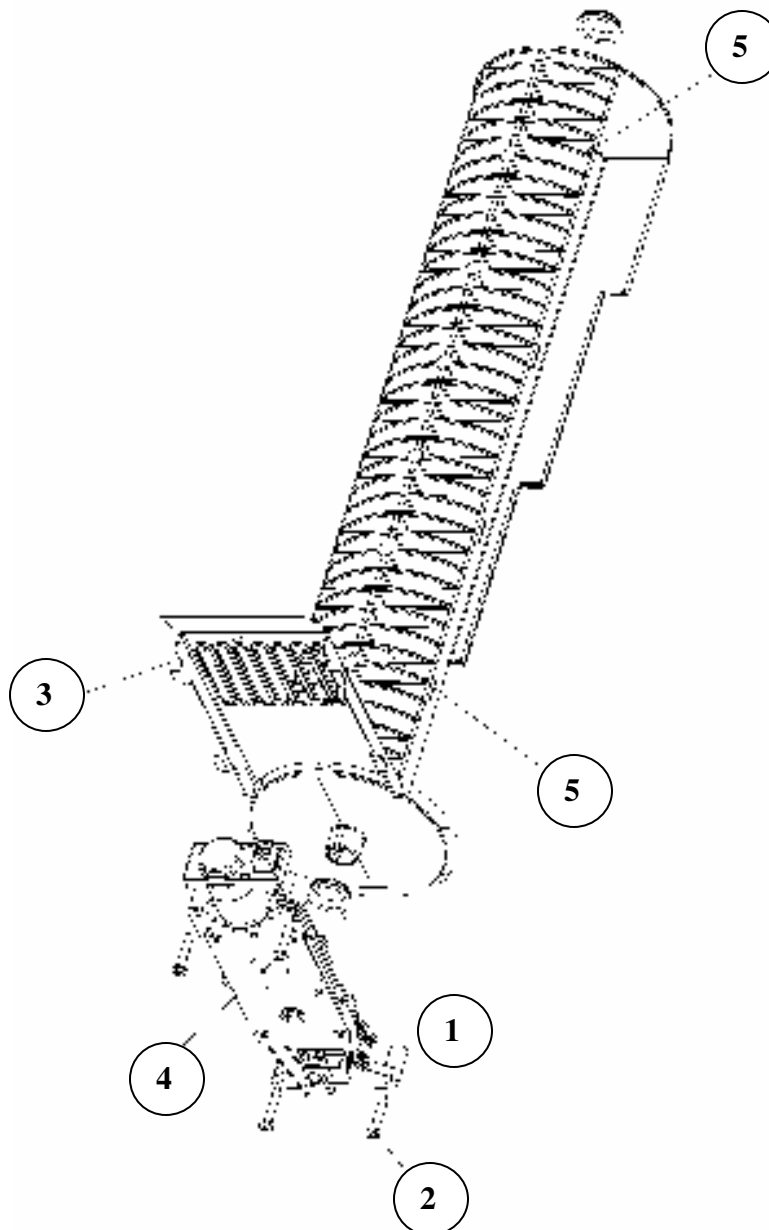
Part number and description subject to change with out notice.



**CABINET AND VEND MECHANISM
(SECTION 2)**

ITEM	DESCRIPTION	DN552P	DN756P
1	Nyliner, .750	801,819,52x.x1	Same
2	Screw, 8-32 x 1 Phil Pan	800,303,86x.x1	Same
3	Front Gate Extension, Wide	639,070,13x.x3	Same
4	Vend Motor Assembly, Wide (Electronic)	639,071,80x.x3	Same
5	Vend Oscillator - Wide Column	801,201,73x.x1	Same
6	Package Retainer - Oscillator	801,807,87x.x1	Same
7	Can Shim Wide Column	801,818,16x.x1	Same

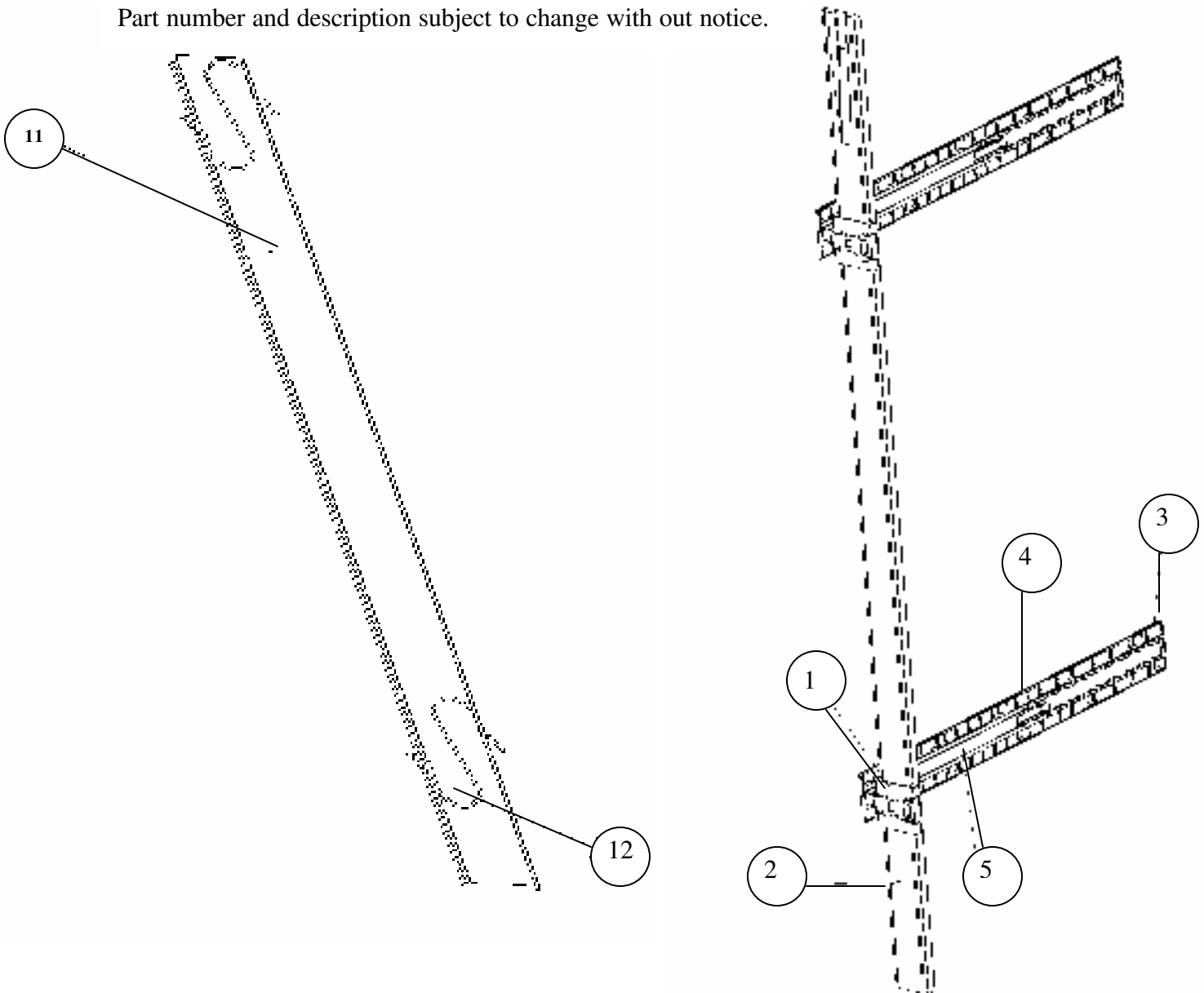
Part number and description subject to change with out notice.



**CABINET AND VEND MECHANISM
(SECTION 2)**

ITEM	PART DESCRIPTION	DN552P	DN756P
	Assembly Rear Spacer Narrow	639,075,00x.x3	Same
1	Bracket Rear Spacer, Narrow	801,819,56x.x1	Same
2	Spacer Rear Narrow	639,070,27x.x3	Same
3	Guide Channel	801,819,59x.x1	Same
4	Latch, Rear Spacer	801,819,61x.x1	Same
5	Assembly Guide Arm	805,202,57x.x1	Same
	Assembly Rear Spacer Wide	639,071,70x.x3	Same
11	Rear Spacer, Wide	639,070,46x.x3	Same
12	Latch Spring Wide	901,700,87x.x1	Same

Part number and description subject to change with out notice.



**CABINET AND VEND MECHANISM
(SECTION 3)**

ITEM	DESCRIPTION	DN552P	DN756P
1	Plate, Protective Left Side Extended Hinge (Specify Blue)	594,020,14x.x3	Same
2	Plate, Protective Right Side Cabinet (Specify Blue)	165,000,04x.x3	Same
3	Caterpillar Grommeting	801,809,93x.x1	Same
4	Mullion	801,819,57x.x1	801,819,58x.x1
5	Mullion Cap	801,818,92x.x1	801,818,93x.x1
A4	Screw, Phil Pan 8 – 18 x 1/2	900,301,50x.x1	Same
A5	Screw, Phil Pan Swage Form #8 -32 x 1/4"	900,301,97x.x1	Same
A9	Screw, Phil Pan 8 – 32 x 3/8	900,301,56x.x1	Same
A10	Screw, Machine #6 – 32 x 1 1/4"	900,201,31x.x1	Same
A14	Screw, Phil Pan 10 – 32 x 1 1/4	900,301,81x.x1	Same
A16	Screw, Phil Pan Sems 8 – 18 x 1/2"	900,301,65x.x1	Same
A17	Screw, Hex 1/4 - 20 x 5/8 (Stack Bolts)	900,302,01x.x1	Same
A19	Screw, Phil Pan 10 – 32 x 5/8	900,901,51x.x1	Same
A21	Screw, Phil Pan 8 – 18 x 1/2	900,301,98x.x1	Same
A26	Screw, Phil Pan 8 – 18 x 3/4	800,303,15x.x1	Same
B2	Hex Nut 1/4 - 20	900,800,67x.x1	Same
C6	Lockwasher, Shakeproof 5/8" (1132-00-00-0551)	900,700,89x.x1	Same
C8	Washer, Shakeproof (4610-16-01-0551)	900,700,62x.x1	Same
E9	Carriage Bolt 1/4 - 20 x 5/8	800,303,19x.x1	Same
F1	Pop Rivet, Aluminum 1/4"	901,100,43x.x1	Same
F5	Pop Rivet, Steel (Zinc Plated) 1/8"	901,100,61x.x1	Same
F6	Pop Rivet, Aluminum 1/8"	901,100,53x.x1	Same
H2	Tinnerman Clip, Fan Shroud (C5207-014-3B)	900,901,89x.x1	Same
H7	Hole Plug, Snap In - 1 1/4	801,807,01x.x1	Same
I6	Clamp, Nylon 5/16 White Heyco 3555 or Dennison 10159	800,902,51x.x1	Same
I7	Clamp, Nylon 1/2" Heyco 3328	900,901,80x.x1	Same

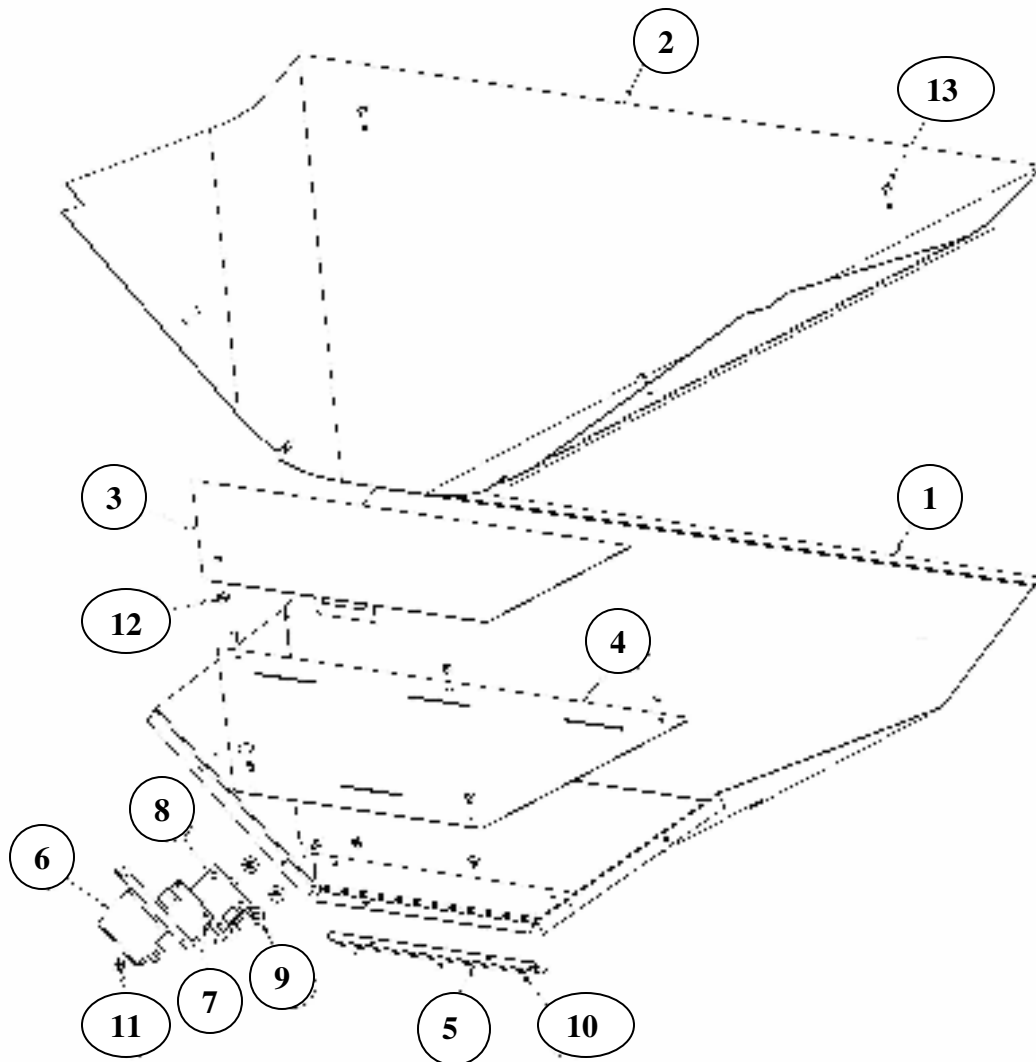
Part number and description subject to change with out notice.

PARTS LIST
CHUTE ASSEMBLY

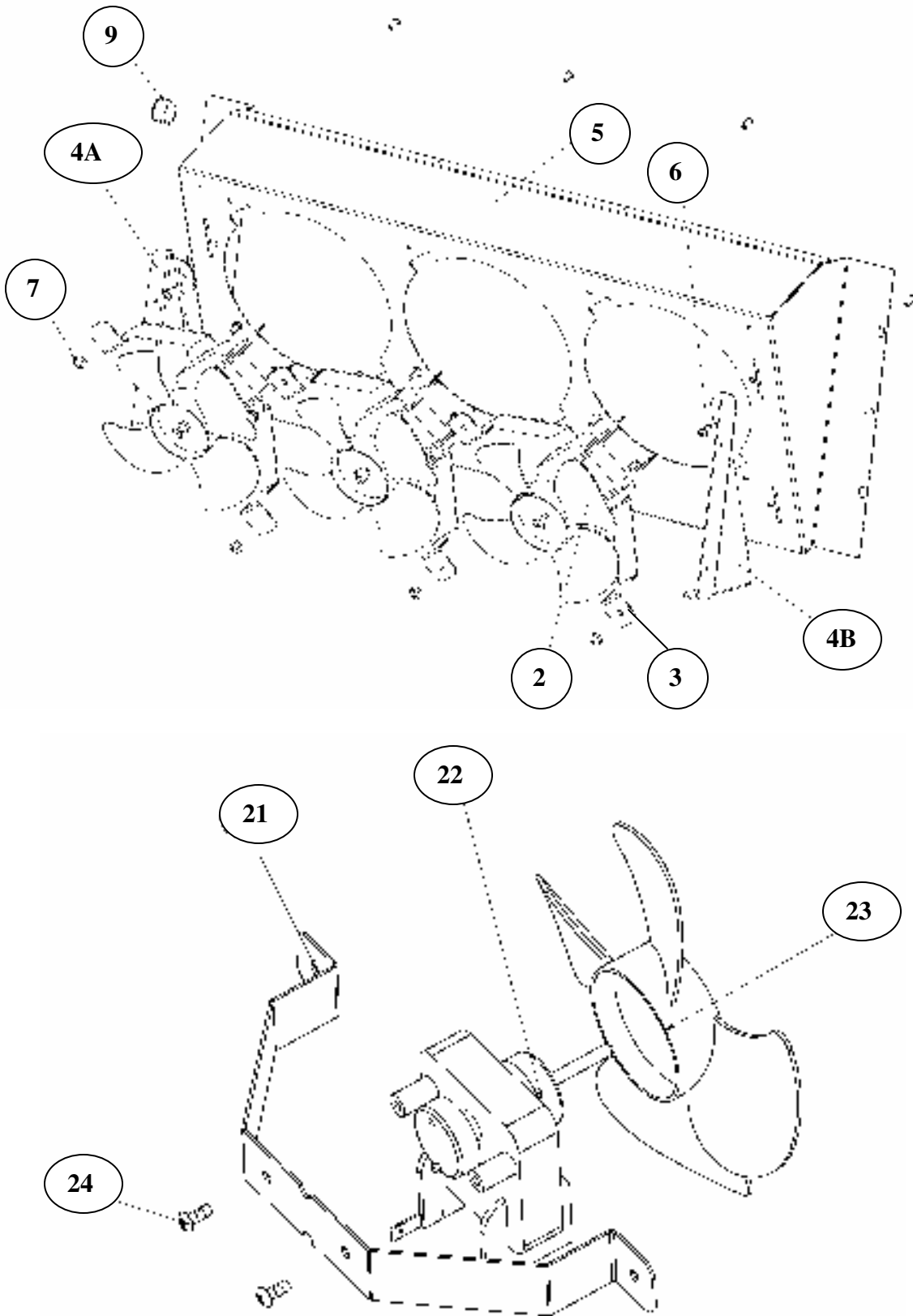
P-SERIES

ITEM	PART DESCRIPTION	DN552P	DN756P
	Chute Assembly	640,071,20x.x3	639,071,10x.x3
1	Chute	640,070,34x.x3	639,070,31x.x3
2	Liner, Chute	640,070,35x.x3	639,070,32x.x3
3	Plate Sensor	639,070,34x.x3	639,070,34x.x3
4	Support, Sensor	640,070,36x.x3	639,070,33x.x3
5	Bracket, Chute P-Series (prior to 7644)	000658	NA
6	Housing Vend Sensor Board	639,070,41x.x3	Same
7	Board, Vend Sensor P-Series	000902	804,921,92x.x1
8	Cover, Sensor Housing P-Series	639,070,39x.x3	Same
9	Standoff	801,903,80x.x1	801,904,55x.x1
10	Screw, 8-32 x 3/8 Phil Pan Type 1	900,301,56x.x1	Same
11	Screw, 8-32 Phil Pan, Swgfrm	900,301,97x.x1	Same
12	Hex Nut 8 - 32	900,800,50x.x1	Same
13	Rivet 1/8 Steel Zinc Plate	901,100,61x.x1	Same
14	Jumper, Vend Sensor Board Peg	804,921,85x.x1	804,922,33x.x1

Part number and description subject to change with out notice.



EVAPORATOR FAN ASSEMBLY

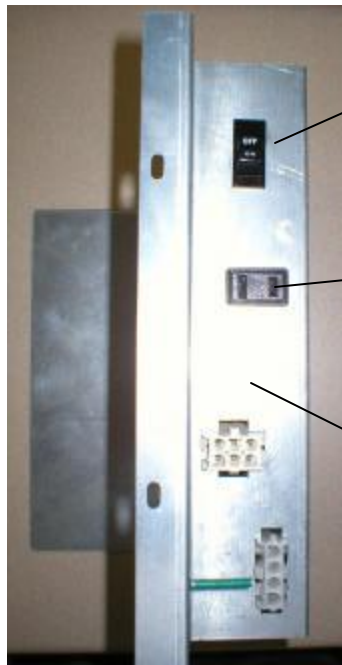


EVAPORATOR FAN ASSEMBLY

ITEM	DESCRIPTION	DN552P	DN756P
1	Harness, Evaporator Fan	804,921,73x.x1	Same
2	Evaporator Fan Motor Assembly 115 V/60Hz	640,040,30x.x3	Same
3	Bracket, Evaporator Fan Motor	640,040,06x.x3	Same
4A	Bracket, Evaporator Fan Panel Left Hand	640,040,08x.x3	Same
4B	Bracket, Evaporator Fan Panel Right Hand	640,040,07x.x3	Same
5A	Sub assembly Evaporator Fan Shroud - 3	640,040,20x.x3	NA
5B	Sub assembly Evaporator Fan Shroud - 4	NA	639,040,20x.x3
6	Screw, Phil Pan 8-18 x 1/2	900,301,50x.x1	Same
7	Hex Nut #10 - 32	900,800,65x.x1	Same
8	Tie, 5.5 Hand	901,901,06x.x1	Same
9	Bushing, 3/4" split	901,902,17x.x1	Same
10	Screw, 8-32 x 1/2 Nylock	800,303,55x.x1	Same
11	Strip, Poly Foam 24.5 in. (Air Stop Rear)	803,301,38x.x1	Same
21	Fan Bracket	640,040,06x.x3	Same
22	Evaporator Fan Motor 115V/60Hz 3000 RPM 0.5 Amp	804,501,25x.x1	Same
23	Blade, Fan 6.0" CW 4 Blade Plastic	801,818,88x.x1	Same
24	Speed Nut (Evaporator Fan) Not Shown	900,800,85x.x1	Same

Part number and description subject to change with out notice.

POWER DISTRIBUTION



Power Switch
804,101,12x.x1

Power outlet 110V
804,913,62x.x1

Power Dist Box Ass'y
639,030,40x.x3



Board with 3 Relays
804,921,06x.x1

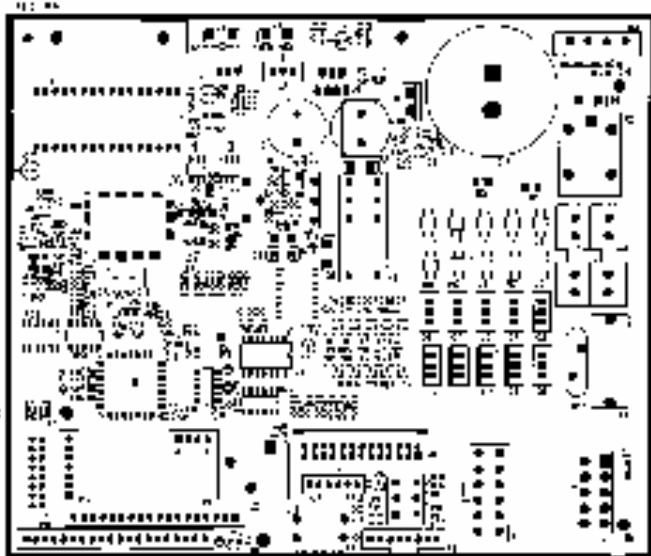
Fuse 1.6 Amp
804,800,71x.x1

Part number and description subject to change with out notice.

**HARNESSING
HVV P-SERIES (SBC)**

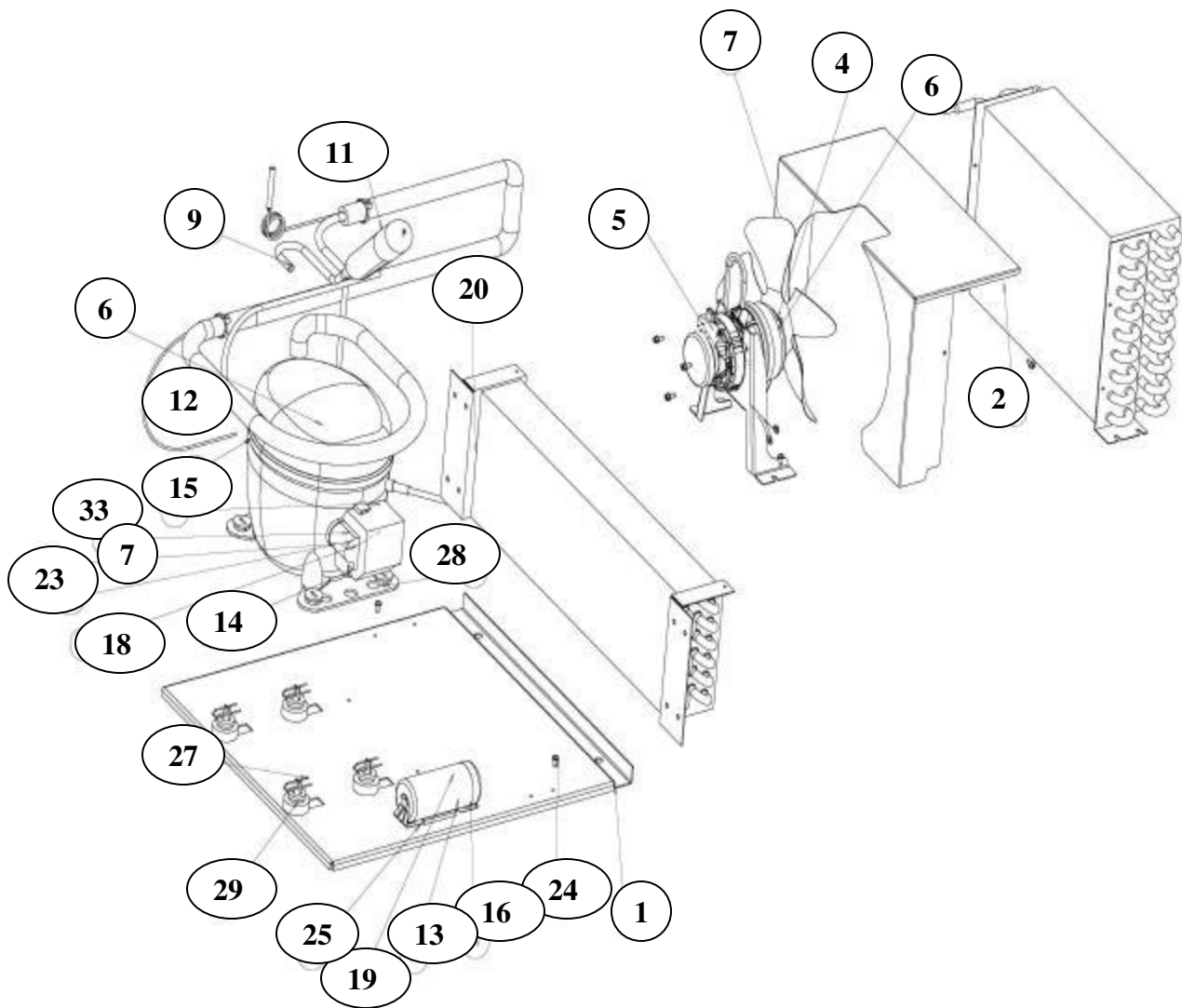
ITEM	PART DESCRIPTION	DN552P	DN756P
	Assembly Power Distribution Box 115/60	639,030,40x.x3	Same
1	Motor Harness (Stack)	000594	000595
2	Board Power Harness (Includes Transformer)	804,922,14x.x1	804,922,14x.x1
3	MDB/Lock Power Harness (P8 & P5 to coin mech & lock)	804,919,19x.x1	Same
4	Harness, AC Distribution	804,921,15x.x1	Same
5	Harness Electronic Lock	804,918,28x.x1	Same
6	Jumper Electronic Lock	804,918,66x.x1	Same
7A	Select Switch Harness 1 – 3 (SO / RTV)	804,919,73x.x1	NA
7B	Select Switch Harness 1 – 6	NA	804,919,71x.x1
7C	Sold Out Light Harness 1 – 6	NA	804,919,14x.x1
8A	Select Switch Harness 4 – 6 (SO & RTV Light)	804,919,74x.x1	NA
8B	Select Switch Harness 7 – 12	NA	804,919,72x.x1
8C	Sold Out Light Harness 7 – 12	NA	804,919,15x.x1
9A	Select Switch Common Harness (P4 to select switches)	804,919,16x.x1	Same
9B	Sold Out Light Common Harness	NA	804,919,13x.x1
10	66" DEX Harness External	804,907,83x.x1	Same
11	Secondary DEX Harness	804,913,97x.x1	Same
12	Temp Sensor, Encapsulated	000115	Same
13	Display Harness (P3 to display board) (not shown)	804,919,21x.x1	Same
14	Power Cord, Detachable	804,917,28x.x1	Same
15	Harness, Relay Power Distribution	804,920,96x.x1	Same
16	Harness, Power Distribution In	804,920,98x.x1	804,921,03x.x1
17	Harness, Power Distribution Out	804,920,97x.x1	Same
18	Harness, Door 94"	000319	Same
19	Fuse, 1.6 Amp EL# 65 x 415	804,800,71x.x1	Same
20	Choke Extension Harness	NA	804,921,11x.x1
21	AC Distribution Extended Harness	NA	804,921,12x.x1
22	Transformer Fuse Holder Harness	NA	804,921,54x.x1

Part number and description subject to change with out notice.



- | | |
|-----|-------------------|
| P1 | Motor |
| P2 | Secondary DEX |
| P3 | Display |
| P4 | Select Switches |
| P5 | Temp Sensor |
| P7 | MDB |
| P8 | Energy Management |
| P10 | Sold Out LED's |
| P11 | Ready to Vend |
| J1 | AC Power |
| J2 | DEX |
| J4 | Cam / Sold Out |
| B1 | Battery |
| S1 | Service Switch |

REFRIGERATION SYSTEM



**REFRIGERATION SYSTEM
(SECTION ONE)**

ITEM	DESCRIPTION	DN552P	DN756P
	Model 3000C-E Kit 115V/60Hz	TBD	Same
	Model 3000C-E Refrigeration Unit 115V	640,040,50x.x3	Same
1	Base Plate	639,040,02x.x3	Same
2	Condenser, 1.33 FPI	802,600,69x.x1	Same
3	Assembly, Heat Exchanger	640,040,00x.x3	Same
4	Fan Blade, Condenser (FV900CW30S)	801,306,65x.x1	Same
5	Assembly, Condenser Fan Motor 115/60	804,501,24x.x1	Same
6	Tube Discharge	640,040,04x.x3	Same
7	Shroud, Condenser	640,040,02x.x3	Same
8	Label, Name Plate 115/60	803,872,04x.x1	Same
9	Tube, Evaporator – Accumulator Adapter	491,040,19x.x3	Same
10	Solder, Silver 30%	802,300,04x.x1	Same
11	Accumulator	802,400,46x.x1	Same
12	Dryer, .054 Extended outlet, 134A	802,401,29x.x1	Same
13	Capacitor End Cap, Bottom Hole	802,501,18x.x1	Same
14	Compressor E FFI12HBX 115/60	802,501,74x.x1	Same
15	Cover, Embraco (1.355.504 short)	802,501,86x.x1	Same
16	Bracket, Capacitor	802,501,87x.x1	Same
17	Overload, MRT 22AFZ-5598	802,502,10x.x1	Same
18	Relay, 1.351.605	802,502,13x.x1	Same
19	Capacitor, Start 233-280 MFD/165V	802,502,21x.x1	Same
20	Evaporator, Short	802,600,37x.x1	Same
21	Freon, Refrigerant, 134a	802,700,06x.x1	Same
22	Tube, ¼ OD x .028 W, Copper	803,000,39x.x1	Same
23	Screw, Brass 6-32x1/4	900,201,44x.x1	Same
24	Screw, 8-32x3/8	900,301,56x.x1	Same
25	Screw, Phil Flat Head 10-32x1/2	900,301,94x.x1	Same
26	Nut, Speed	900,800,85x.x1	Same
27	Clip, Spring	900,901,88x.x1	Same
28	Plug, Compressor Grommett	901,803,91x.x1	Same
29	Grommet, Compressor	902,000,57x.x1	Same
30	Silencer	902,100,29x.x3	Same
31	Solder, 0% Silver Brazing Allow	902,600,52x.x1	Same
32	Label, 134a Recoverable Substance	903,833.54x.x1	Same
33	Terminal	904,601,36x.x1	Same
34	Lead, Compressor (harness)	904,900.61x.x1	Same
35	Rubatex, 27" (Not Shown)	640,040,12x.x3	Same
36	Drain Pan Assembly with Fiberglass Soakers (Not Shown)	805,800,71x.x1	Same
37	Soakers, Fiberglass (14 required) (Not Shown)	905,800,69x.x1	Same
38	Ingress Guard	000455	639,020,01x.x3
39	Drain Tube	801,806,05x.x1	Same
40	Drain Tube Nut	900,301,79x.x1	Same
41	Drain Hose	901,900,50x.x1	Same
42	Drain Hose Clamp	900,901,03x.x1	Same
43	Power Cord (Detachable)	804,917,28x.x1	Same
44	Temperature Sensor Encapsulated (Not Shown)	000115	Same

Part number and description subject to change with out notice.

MISC. LABELS

ITEM	DESCRIPTION	DN552P	DN756P
1	Labels		
	Price Label Sheet .50- 1.25	903,828,82x.x1	Same
	HVV Programming (English)	803,870,25x.x1	Same
	STS/Package Set-Up Label Domestic	803,871,36x.x1	803,871,78x.x1
	Warning: Do Not Tilt	803,868,29x.x1	Same
	134A Removable Substance	903,833,54x.x1	Same
	Money Removed Daily	903,805,70x.x1	Same
	Label, Warning Disconnect Main Power cord	803,868,02x.x1	Same
	Label, Main Power	803,860,85x.x1	Same
	Skid Removal	903,828,70x.x1	Same
	Coin Mechanism Label	903,901,30x.x1	Same
	Fuses F1-Amp, F2-6A	803,843,91x.x1	Same
	Fuse, 1.6 Amp	804,800,71x.x1	Same
	Label, 1.6 Amp Fuse	803,868,03x.x1	Same
	Mercury Notice Label	803,860,59x.x1	Same
	Notice - No Refund Label	803,860,53x.x1	Same
	Motor Cover Label, Power Disconnect	803,857,01x.x1	Same
	Label, Coin Insert	803,870,26x.x1	Same
	Label, Upper Refill Narrow Column	803,876,01x.x1	Same
	Label, Upper Refill Wide Column	803,86,02x.x1	Same
	Label, Lower Refill Narrow Column	803,876,03x.x1	Same
	Label, Lower Refill Wide Column	803,876,04x.x1	Same
	Kit, ID Number Labels - (1 - #)	615,000,10x.x4	639,070,45x.x4
	Refrigeration Outlet	803,868,04x.x1	Same
	Loading Platform Label	803,855,59x.x1	Same
	Important Loading Instructions	803,872,33x.x1	Same
2	Wiring Diagram HVV 6 Select	803,871,51x.x1	NA
	Wiring Diagram HVV 12 Select	NA	803,873,27x.x1
3	Installation & Set up Guide	TBD	Same
4	Technical Manual - HVV	803,903,77x.x1	Same

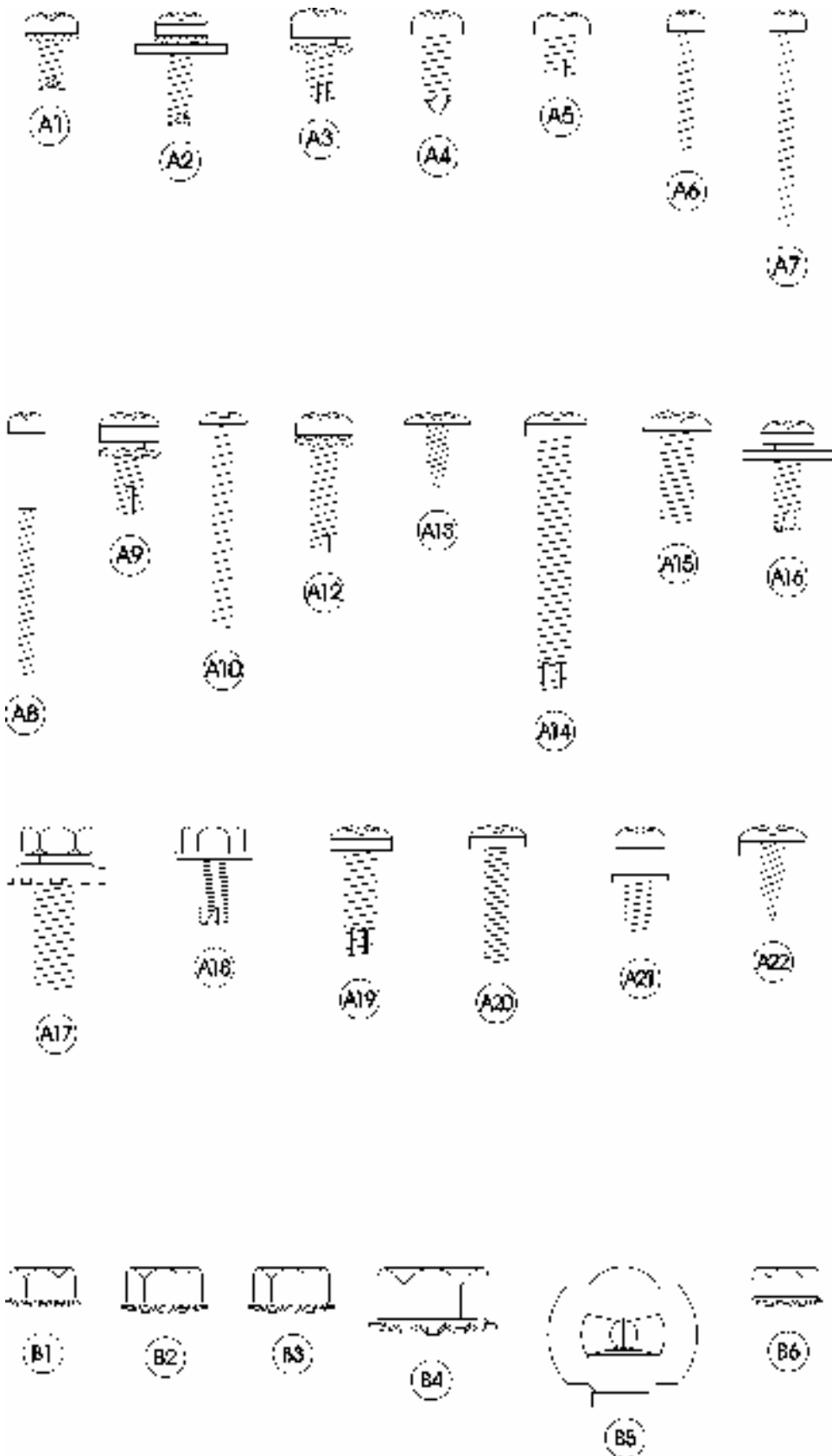
Part number and description subject to change with out notice.

DOMESTIC SIGNS & SIDE DECALS**(Contact Parts Department for any not listed)**

ITEM	DESCRIPTION	DN552P	DN756P
1	Pepsi Side Decals Domestic 72x25x25	803,868,36x.x1	Same
2	S/N Bottom HVV	805,034,71x.x1	805,304,69x.x1
3	S/N PC First' 03 Top	805,032,63x.x1	805,032,65x.x1
4	Kit, Flavor Card Bottle Pepsi	803,874,93x.x4	Same
	Kit, Flavor Card Can Pepsi	803,874,94x.x4	Same
5	Kit, P-Series Labels English	000329	Same
6	Kit, ID Number Labels	615,000,10x.x4	639,070,45x.x4

Part number and description subject to change with out notice.

SCREWS & NUTS

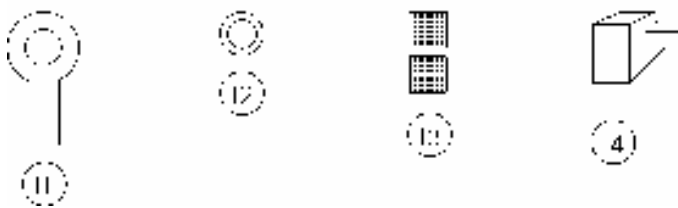
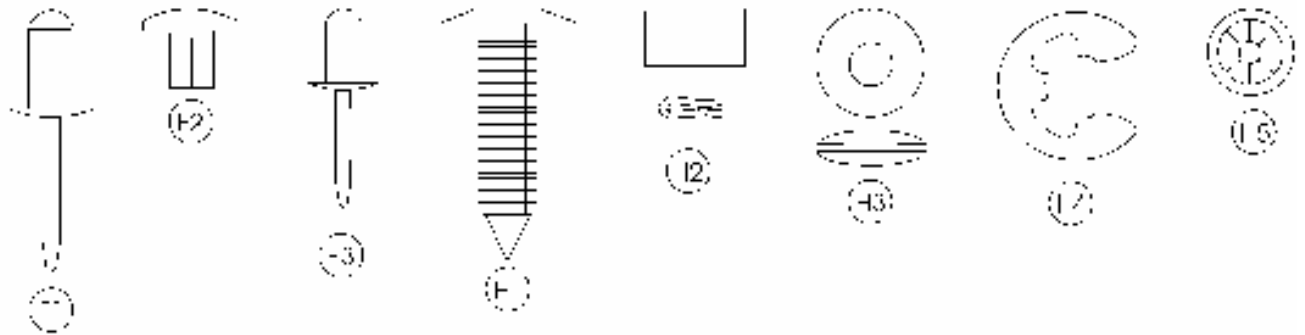
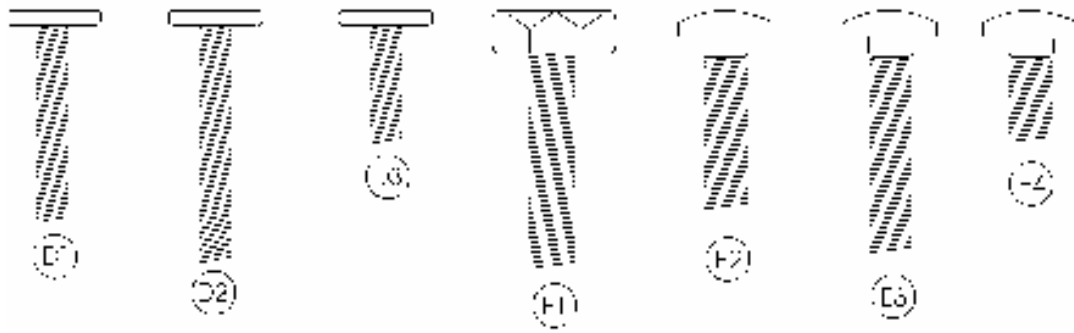
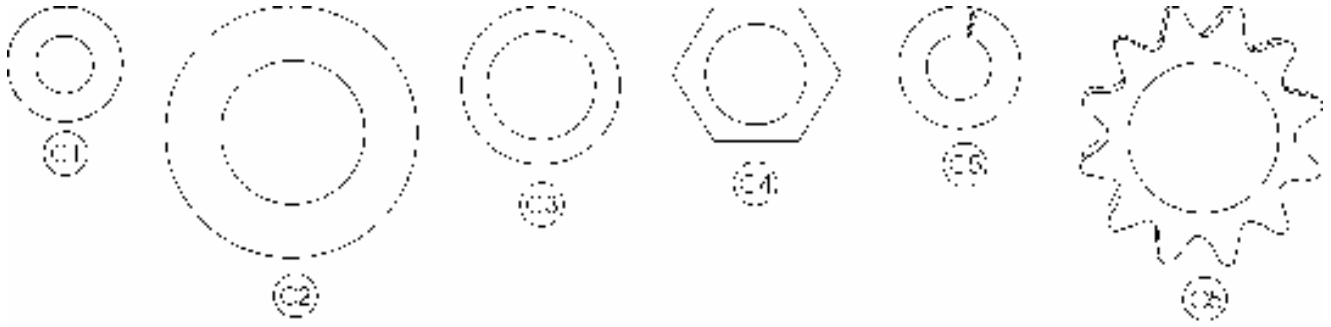


SCREWS & NUTS

ITEM	PART NUMBER	PART NAME AND DESCRIPTION
A1	900,301,70x.x1	Screw, Phil Pan Swage Form #6 - 32 x 3/8"
A2	900,301,64x.x1	Screw, Phil Pan Swage Form w/washer #8 - 32 x 1/2"
A3	900,301,83x.x1	Screw, Phil Pan Swage Form #10 - 32 x 5/16"
A4	900,301,50x.x1	Screw, Phil Pan w/out washer, #8 - 18 x 1/2"
A5	900,301,97x.x1	Screw, Phil Pan Swage Form #8 - 32 x 1/4"
A6	900,300,47x.x1	Screw, Vend Motor, #4-24 x 3/4" Single Switch (NOT USED)
A7	900,301,82x.x1	Screw, Vend Motor, #4-24 x 1 1/16" Double Switch (NOT USED)
A8	900,301,61x.x1	Screw, Vend Motor, #4-24 x 1 1/2" Triple Switch (NOT USED)
A9	900,301,56x.x1	Screw, Phil Pan Cutting #8 - 32 x 3/8"
A10	900,201,31x.x1	Screw, Machine, #6 - 32 x 1 1/4"
A11	900,301,97x.x1	Screw, Phil Pan Sems #8 - 32 x 1/4"
A12	900,301,85x.x1	Screw, Phil Thread Form #8 - 32 x 5/8"
A13	900,300,16x.x1	Screw, Phil Head Truss #6 x 3/8"
A14	900,301,81x.x1	Screw, Phil Pan Form #10 - 32 x 1 1/4"
A15	900,201,14x.x1	Screw, Machine Truss, #10 - 32 x 1/2"
A16	900,301,65x.x1	Screw, Phil Pan Sems with washer, #8 - 18 x 1/2"
A17	900,302,01x.x1	Screw, Self Tapping, 1/4 - 20 x 5/8"
A18	900,301,69x.x1	Screw, Hex Head Swage Form #8 - 36 x 3/8"
A19	900,901,51x.x1	Screw, Phil Pan Tapping #10 - 32 x 5/8"
A20	900,201,22x.x1	Screw, Machine Phil Pan #8 - 32 x 3/4"
A21	900,301,98x.x1	Screw, Phil Pan Shoulder #8 - 18 x 1/2"
A22	900,301,84x.x1	Screw, Phil Pan #8-18x1/2"
A23	900,500,26x.x1	Shoulder Screw 1/2" Long
A24	900,201,13x.x1	Screw, Hex Head
A25	900,301,73x.x1	Screw, Tap 1/4-20x1" Type F
A26	800,303,15x.x1	Screw, Phil Pan #8-18x3/4"
A27	800,303,18x.x1	Screw, Truss Type 23 #8-32x1/2
A28	900,301,94x.x1	Screw, Phil Flat 23B #10-32x1/2"
A29	900,201,44x.x1	Screw, Machine Brass #6-32x1/4"
A30	900,301,99x.x1	Screw, Plastic 8-hi/low x 1 1/4
A31	900,301,55x.x1	Screw, Phil Pan Swage Form #8-32x1/2"
A32	900,303,08x.x1	Screw, Hex Washer Type 1 #8-32x3/8"
A34	800,303,22x.x1	Screw, Phil Pan #6-20x3/8
A35	900,302,02x.x1	Screw, Self Tapping, #8-18x3/4
A36	900,201,86x.x1	Screw, Phil Pan Head #6-32x1/4"
B1	900,800,65x.x1	Hex Nut 10-32
B2	900,800,67x.x1	Hex Nut 1/4-20
B3	900,800,50x.x1	Hex Nut #8 - 32
B4	900,800,69x.x1	Hex Nut, Top Door Hinge, 3/8 - 16
B5	900,800,85x.x1	Speed Nut
B6	900,800,49x.x1	Hex Nut, #6 - 32
B7	900,800,51x.x1	Elastic Stop Nut, #8 - 32
B8	900,800,81x.x1	Hex Nut 8-32
B9	900,902,37x.x1	Push Nut, Acorn Type
B10	900,801,02x.x1	Hex Nut 5/16-18
B11	900,800,81x.x1	Hex Nut, Flange with Serrations 8-32

Part number and description subject to change with out notice.

WASHERS, BOLTS, & MISC. HARDWARE



WASHERS, BOLTS, & MISC. HARDWARE

ITEM	PART NUMBER	PART NAME AND DESCRIPTION
C1	900,700,60x.x1	Washer, Delrin .047 Thick 3/8"IDx5/8"OD
C2	901,303,77x.x1	Washer, Door Hinge
C3	901,503,06x.x1	Washer, Flat #2949 (T-Handle)
C4	901,503,08x.x1	Washer, Hex #29-34 (T-Handle)
C5	900,700,36x.x1	Lockwasher, Split 3/8"
C6	900,700,89x.x1	Lockwasher, Shakeproof 5/8" (1132-00-00-0551)
C7	900,700,02x.x1	Steel Washer, 18 Gauge (1/2"x3/16")
C8	900,700,62x.x1	Washer, Shakeproof (4610-16-01-0551)
C10	900,700,83x.x1	Washer, Flat 18 Gauge (17/64"IDx5/8"OD)
C11	900,700,08x.x1	Washer, Flat 14 Gauge (5/16"-3/8"x7/8")
C12	801,902,48x.x1	Nylon Spacer
	900,701,05x.x1	Washer Flat (.343"ID x .688" OD .6T)
D1	900,400,43x.x1	T-Bolt, #8 - 32 x 1" (obsolete)
D2	900,400,41x.x1	T-Bolt, #8 - 32 x 1 3/8"
D3	900,40x.x5x.x1	T-Bolt, #8 - 32 x 3/4"
D4	900,400,45x.x1	T-Bolt, #8 - 32 x 1/2"
E1	900,400,44x.x1	Refrigeration Bolt, 3/8 - 16 x 1"
E2	900,201,17x.x1	Carriage Bolt, 1/4 - 20 x 1"
E3	900,201,23x.x1	Carriage Bolt, 1/4 - 20 x 1 1/4"
E4	900,201,45x.x1	Carriage Bolt, 1/4 - 20 x 1/2"
E5	900,201,54x.x1	Carriage Bolt, 1/4 - 20 x 3/8"
E6	900,201,56x.x1	Carriage Bolt, 1/4 - 20 x 3/4"
E7	900,303,12x.x1	Carriage Bolt, 1/4-20x5/8" (obsolete)
E8	900,201,85x.x1	Carriage Bolt, 5/16x18x1 1/4" Top Hinge (drop in)
E9	800,303,19x.x1	Carriage Bolt, 1/4-20x5/8"
E10	900,202,04x.x1	Carriage Bolt, 1/4-20x1/2" (red)
F1	901,100,43x.x1	Pop Rivet, Aluminum 1/4"
F2	901,100,44x.x1	Drive Rivet, #38-108-06-13 1/4" dia.
F4	901,100,54x.x1	Pop Rivet, Black 1/8"
F5	901,100,61x.x1	Pop Rivet, Steel (Zinc Plated) 1/8"
F6	901,100,53x.x1	Pop Rivet, Aluminum 1/8"
F7	901,100,60x.x1	Pop Rivet, Steel (Zinc Plated) 3/16"
H1	900,902,13x.x1	Christmas Tree Clip #354280307-00 (NOT USED)
H2	900,901,89x.x1	Tinnerman Clip, Fan Shroud (C5207-014-3B)
H3	900,401,09x.x1	Grommet, Bk. Rubber #97
H4	901,503,07x.x1	E-Ring #31-30
H5	900,900,90x.x1	Retainer, Roller Pin
H6	900,902,18x.x1	Tinnerman Clip
H7	801,807,01x.x1	Hole Plug, Snap in - 1 1/4
H8	901,806,77x.x1	Grommet, Admiral #B53351
H9	902,100,29x.x1	Silencer
I1	804,601,45x.x1	#6 Terminal Ring Crimp 16-14 AWG
I2	801,902,48x.x1	Nylon Spacer used on Coke D/O Boards
I3	801,809,12x.x1	Velcro Blocks
I4	801,807,49x.x1	Vender Defender Clamp

Part number and description subject to change with out notice.

WASHERS, BOLTS, & MISC. HARDWARE

ITEM	PART NUMBER	PART NAME AND DESCRIPTION
I5	901,901,89x.x1	Clamp, Cable 1" Heyco 3390
I6	900,901,79x.x1	Clamp, Nylon 5/16" Black Heyco 3355 or Dennison 10159
I7	900,901,80x.x1	Clamp, Nylon 1/2" Heyco 3328
I8	901,901,06x.x1	Hand Tie, x.x"
I9	901,902,01x.x1	Wire Tie, 7 1/2"
I10	901,901,00x.x1	Wire Ties, 4"
I11	901,900,55x.x1	Clamp, Nylon 3/4" Heyco 3382BL
I12	901,902,83x.x1	Cable Tie, x.x"
I13	900,902,14x.x1	Canoe Clip #254-090-301-00-0108

Part number and description subject to change with out notice.