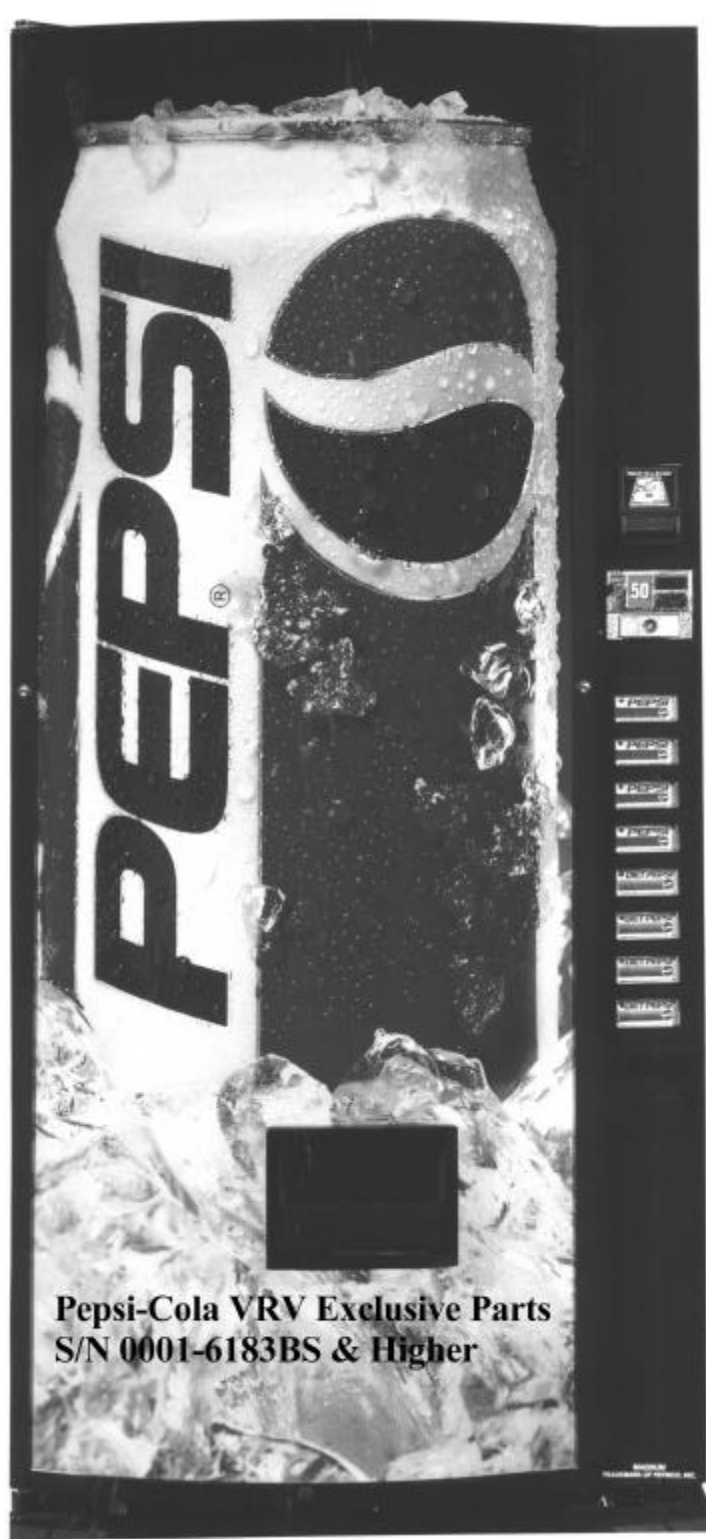


PEPSI-COLA VRV EXCLUSIVE PARTS LIST



©1992 PepsiCo, Inc., "Pepsi", "Pepsi-Cola", "diet Pepsi", "diet Pepsi-Cola", "caffeine free Pepsi", and "Pepsi Light" are trademarks of PepsiCo, Inc.

PEPSI-COLA - VRV DESIGN

This exclusive parts list pertains to Dixie-Narco Pepsi-Cola VRV Venders. The main door and its parts are the only thing different between VRV and Non-VRV Machines. Please note, when ordering all parts, it is very important to be specific on the part number, model number and serial number of the vender. All of this information can be found on the serial plate. Please refer to the Pepsi-Cola Non-VRV Parts Manual for parts inside or on the cabinet. Also note, we have a specific lettering system at the end of the serial number which indicates the quarter and the year in which the vender was manufactured.

The lettering system started in the year 1976 with the letter A. Quarters are dated on a calendar basis and indicated by the first letter:

A = First Quarter C = Third Quarter
B = Second Quarter D = Fourth Quarter

Years are dated and indicated by the second letter:

S = Year 1994 V = Year 1997
T = Year 1995 W = Year 1998
U = Year 1996 X = Year 1999

For Example:

Part Number - 593,050,400.03
Model Number - DNCB440MC/252-7 VRV
Serial Number - 0280-6123BR

Quarter
(Second Quarter)

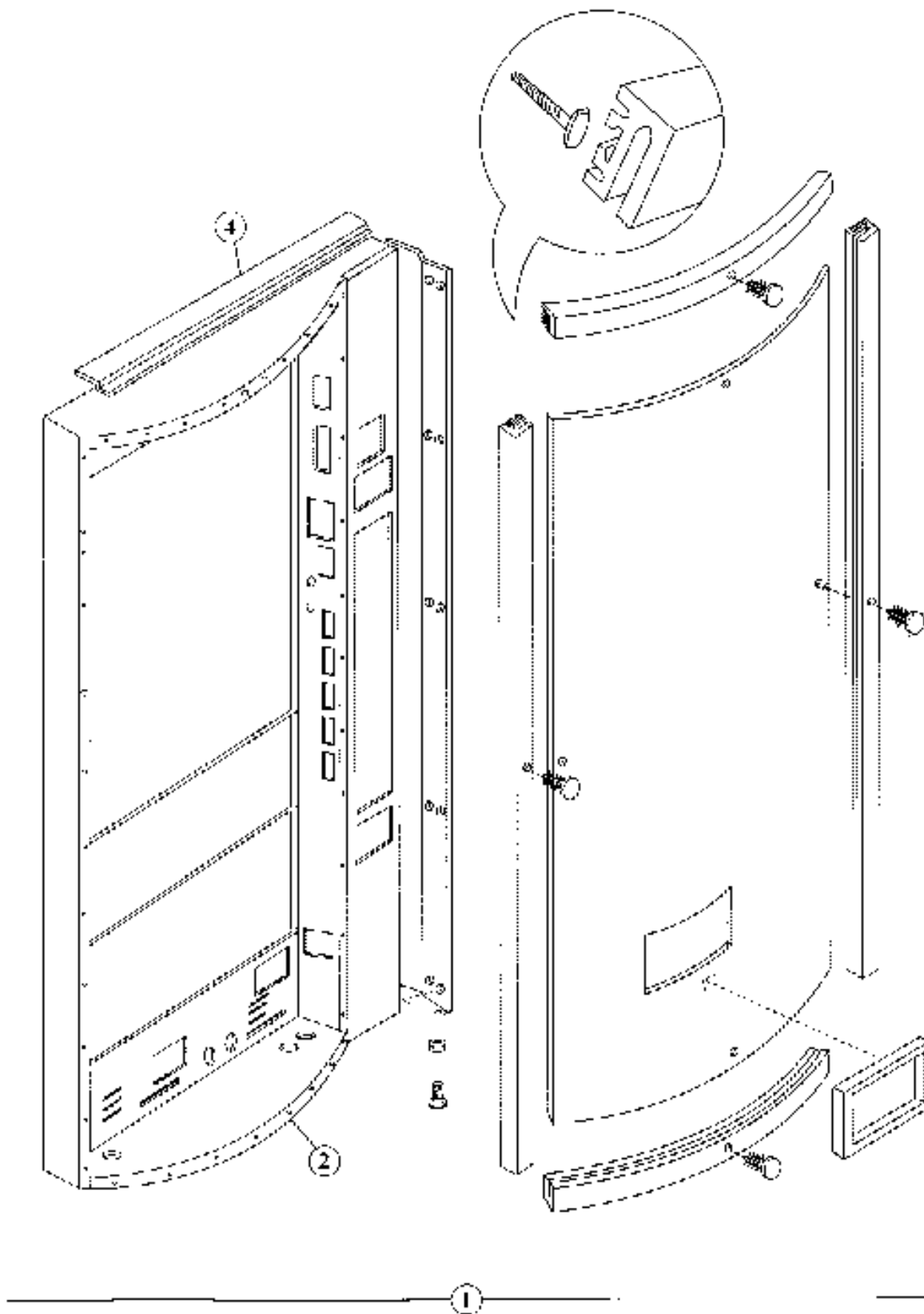
Year
(1993)

**Williston Built Venders Beginning
0001-6183BS
First Produced May, 1994**



Dixie-Narco Boulevard, Drawer 719, Williston, SC 29853
1-800-688-9090 or (803) 266-5000; FAX: (803) 266-5150

MAIN DOOR - EXTERIOR - PEPSI-COLA (Magnum Circular) VRV

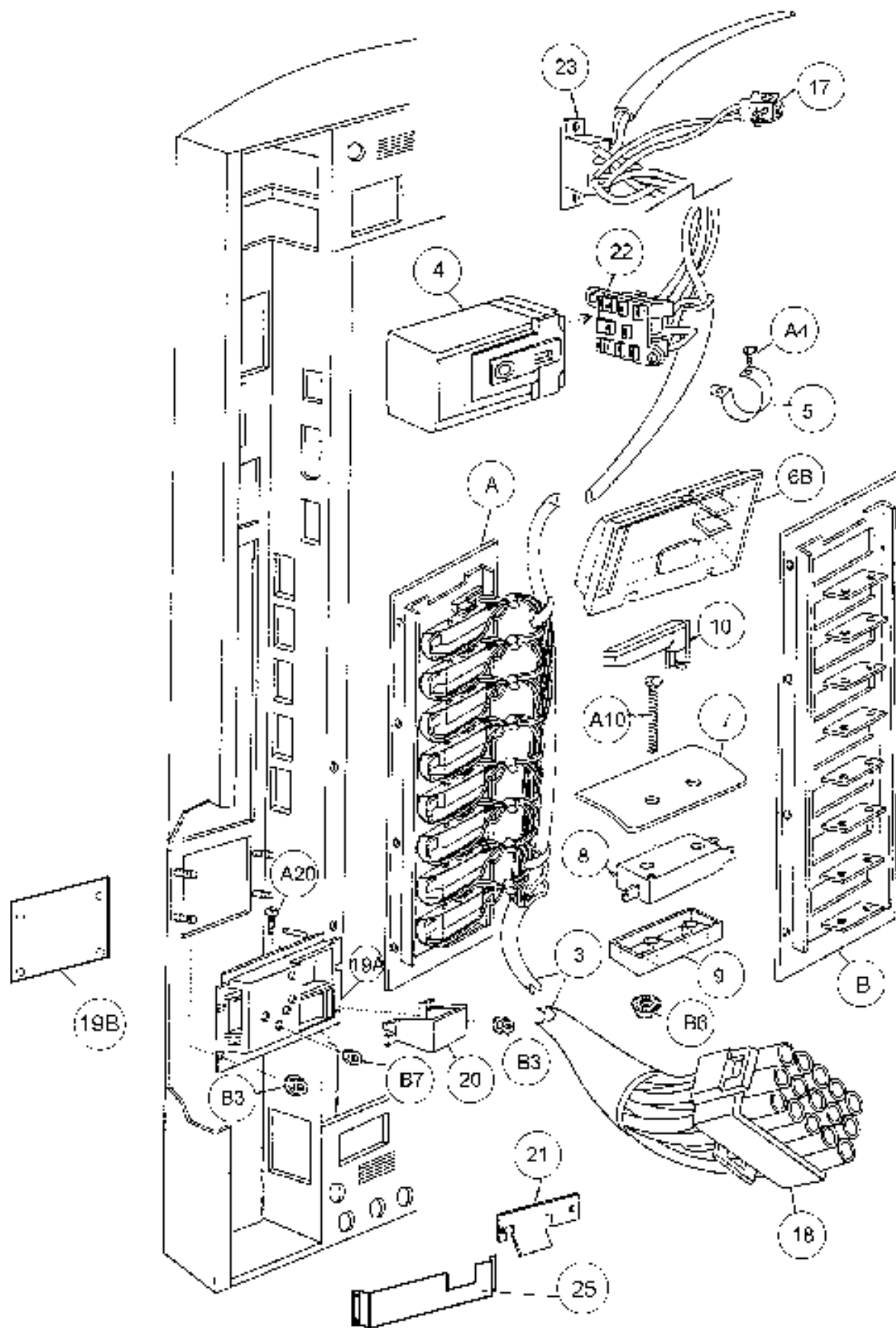


1 MAIN DOOR ASSEMBLIES
(Are Backward Compatible)

| | SINGLE PRICE | SII | SIID |
|---------------|---------------------|----------------|------------------------|
| 168-6 VRV | 591,050,000.13 | 591,050,300.03 | 591,050,500.03 |
| 276-6 VRV | 592,050,000.23 | 592,050,300.03 | not available at print |
| 348-10 VRV | 592,050,700.23 | 592,051,500.03 | 592,052,400.03 |
| 360/522-6 VRV | 592,050,900.23 | 592,051,000.03 | 592,052,500.03 |
| 368/501-8 VRV | 592,050,400.23 | 592,050,500.03 | 592,052,600.03 |
| 414-10 VRV | 593,050,600.23 | 593,050,700.03 | 593,051,300.03 |
| 432-6 VRV | 533,150,200.23 | Not Applicable | 533,150,300.03 |
| 440/600-8 VRV | 593,050,000.23 | 593,050,100.03 | 593,051,400.03 |
| 600E | 610,051,200.03 | Not Applicable | 610,011,100.03 |
| 501E | 609,053,300.03 | Not Applicable | 609,081,100.03 |
| 276E | 615,050,300.13 | Not Applicable | 615,050,400.13 |

2 MAIN DOOR WELD ASSEMBLIES
(Are not backward compatible)

| | SINGLE PRICE | SII | SIID |
|---------------|---------------------|----------------|----------------|
| 168-6 VRV | 591,050,200.03 | 591,050,200.03 | 591,050,200.03 |
| 276-6 VRV | 592,050,100.03 | 592,050,100.03 | 592,050,100.03 |
| 348-10 VRV | 592,050,800.03 | 592,050,800.03 | 592,050,800.03 |
| 360/522-6 VRV | 592,050,600.03 | 592,050,600.03 | 592,050,600.03 |
| 368/501-8 VRV | 592,050,600.03 | 592,050,600.03 | 592,050,600.03 |
| 414-10 VRV | 593,050,500.03 | 593,050,500.03 | 593,050,500.03 |
| 432-6 VRV | 593,050,400.03 | Not Applicable | 593,050,400.03 |
| 440/600-8 VRV | 593,050,400.03 | 593,050,400.03 | 593,050,400.03 |
| 600E | 593,050,500.03 | Not Applicable | 593,050,500.03 |
| 501E | 592,050,800.03 | Not Applicable | 592,050,800.03 |
| 276E | 592,050,100.03 | Not Applicable | 592,050,100.03 |



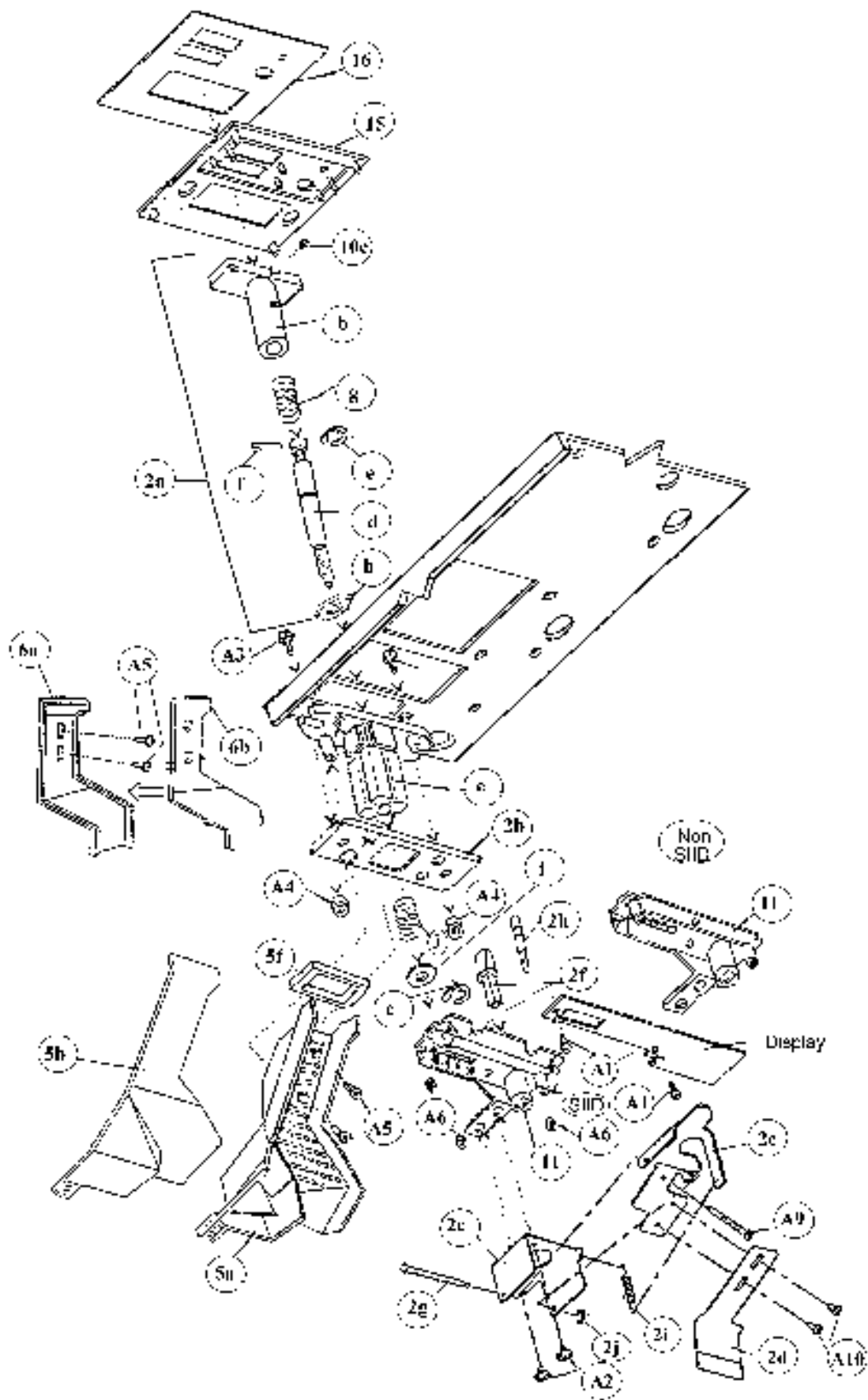
A SELECT PANEL ASSEMBLY

(Includes: w/a front control panel, buttons, switches, button stop, switch spring and insulator mylar, and sold-out lamps for non-SII and SII)

| | SINGLE PRICE | SII | SIID |
|-------------------------------|----------------|----------------|----------------|
| 168/276/360/432/ 522-6 VRV | 488,050,300.03 | 565,151,200.03 | 565,156,100.03 |
| 348/414-10 VRV | 479,050,600.03 | 572,052,300.03 | 572,053,800.03 |
| 368/501 440/600-8 VRV | 480,050,300.03 | 572,052,400.03 | 572,053,900.03 |
| 600E | 596,052,300.03 | Not Applicable | 596,052,100.03 |
| 501E | 596,052,300.03 | Not Applicable | 596,052,100.03 |
| 276E | 615,050,200.03 | Not Applicable | 615,050,000.03 |

B FRONT CONTROL PANEL WELD ASSEMBLY

| | SINGLE PRICE | SII | SIID |
|-------------------------------|----------------|----------------|----------------|
| 168/276/360/432/ 522-6 VRV | 488,050,200.23 | 488,050,200.23 | 488,050,200.23 |
| 348/414-10 VRV | 479,050,500.03 | 479,050,500.03 | 479,050,500.03 |
| 368/501 440/600-8 VRV | 480,050,200.33 | 480,050,200.33 | 480,050,200.33 |
| 600E | 596,052,000.03 | Not Applicable | 596,052,000.03 |
| 501E | 596,052,000.03 | Not Applicable | 596,052,000.03 |
| 276E | 615,050,100.03 | Not Applicable | 615,050,100.03 |



EXCLUSIVE PARTS LIST

| | DESCRIPTION | SINGLE PRICE | SII | SIID |
|----|--|----------------|----------------|----------------|
| 1 | Coin Insert Assembly Kit VRV Pepsi (Domestic) Includes: mounting geometry, label, coin return sub assembly, coin insert plate and stud assembly) | 591,010,000.04 | 591,010,100.04 | 591,010,100.04 |
| 2 | Assy., Sub Coin Return VRV SII (Includes T-handle Assy., coin return bracket, plunger, and rocker) | 572,050,600.83 | 572,052,100.43 | 572,052,100.43 |
| 2a | Assy., Flush Mount T-Handle | 801,508,200.21 | 801,508,200.21 | 801,508,200.21 |
| b | T-Handle, Flush Mount | 801,508,150.21 | 801,508,150.21 | 801,508,150.21 |
| c | Body, Flush Mount Lock | 801,508,160.31 | 801,508,160.31 | 801,508,160.31 |
| d | Stud, Flush Mount Lock | 801,508,190.11 | 801,508,190.11 | 801,508,190.11 |
| e | External Retaining Ring | 801,507,340.11 | 801,507,340.11 | 801,507,340.11 |
| f | Cross Pin | 901,503,090.11 | 901,503,090.11 | 901,503,090.11 |
| g | Spring | 901,503,050.01 | 901,503,050.01 | 901,503,050.01 |
| h | Hex Washer | 901,503,080.11 | 901,503,080.11 | 901,503,080.11 |
| i | Flat Washer | 901,503,060.01 | 901,503,060.01 | 901,503,060.01 |
| j | Spring, Flush Mount T-Handle | 901,508,180.01 | 901,508,180.01 | 901,508,180.01 |
| 2b | Retainer, High Security (Back-Up Plate) | 572,000,010.13 | 572,000,010.13 | 572,000,010.13 |
| 2c | Coin Return Bracket VRV | 572,050,240.13 | 572,050,240.13 | 572,050,240.13 |
| 2d | Coin Return Plunger VRV | 572,050,230.23 | 572,050,230.23 | 572,050,230.23 |
| 2e | Coin Return Rocker | 572,050,220.33 | 572,050,220.33 | 572,050,220.33 |
| 2f | Coin Return Push Button | 801,807,250.41 | 801,807,250.41 | 801,807,250.41 |
| 2g | Coin Return Rocker Pin (Service) | 900,502,810.01 | 900,502,810.01 | 900,502,810.01 |
| 2h | Use Correct Change Lamp 125 VAC, VRV (Sold-Out) | 804,700,540.21 | Not Applicable | Not Applicable |
| 2i | Extension Spring | 901,700,630.31 | 901,700,630.31 | 901,700,630.31 |
| 2j | Coin Return Pin Retainer Ring (Service) | 900,902,310.01 | 900,902,310.01 | 900,902,310.01 |
| 3 | Use Correct Change Light (2 VAC) | Not Applicable | 804,700,550.21 | Not Applicable |
| 4 | | | | |
| a | Validator Filler Plate Assy., VRV | 360,050,720.73 | 360,050,720.73 | 360,050,720.73 |
| b | Validator Gasket, Black | 902,001,020.11 | 902,001,020.11 | 902,001,020.11 |
| 5 | Vender Defender, Kit | 491,540,700.33 | 491,540,700.33 | 491,540,700.33 |
| a | Vender Defender, Bottom and Screen | 801,808,460.01 | 801,808,460.01 | 801,808,460.01 |
| b | Vender Defender, Top Cover | 801,808,470.01 | 801,808,470.01 | 801,808,470.01 |
| c | Vender Defender, Clip | 801,807,490.01 | 801,807,490.01 | 801,807,490.01 |
| d | Vender Defender, Drain Hose | 801,807,500.01 | 801,807,500.01 | 801,807,500.01 |
| e | Vender Defender, Instruction Package | 801,807,510.01 | 801,807,510.01 | 801,807,510.01 |
| f | Vender Defender, Gasket | 801,808,110.11 | 801,808,110.11 | 801,808,110.11 |
| 6a | Coin Chute | 801,805,791.31 | 801,805,791.31 | 801,805,791.31 |
| 6b | Coin Chute Cover | 801,805,800.61 | 801,805,800.61 | 801,805,800.61 |
| 7 | Mounting Bracket, Changer Socket VRV | 572,050,090.43 | 524,050,140.23 | 524,050,140.23 |
| 8 | Reinforcement Plate, Top Hinge | 801,303,890.41 | 801,303,890.41 | 801,303,890.41 |
| 9 | Liquid Guard VRV (metal - covers relay/changer socket) | 572,050,160.23 | Not Applicable | Not Applicable |
| 10 | Assy., Lock Security Parts & Instruction Bag | 572,052,500.04 | 572,052,500.04 | 572,052,500.04 |
| a | Envelope - Parts/Instruction | 905,406,890.11 | 905,406,890.11 | 905,406,890.11 |
| b | Allen Key, Hex 1/16" | 800,101,150.01 | 800,101,150.01 | 800,101,150.01 |
| c | Set Screw | 901,508,170.11 | 901,508,170.11 | 901,508,170.11 |
| 11 | Coin Insert Mounting Geometry Domestic (red) | 801,807,690.31 | 801,807,710.31 | 801,807,710.31 |
| 12 | 6 Select Door Harness | 804,903,710.11 | 804,907,940.11 | 804,909,180.31 |
| 13 | 8 Select Door Harness | 804,903,690.11 | 804,907,950.11 | 804,909,190.31 |
| 14 | 10 Select Door Harness | 804,903,700.11 | 804,907,960.11 | 804,909,200.51 |
| 15 | Coin Insert Plate & Stud Assembly (does not include decal) | 461,151,100.13 | 461,150,800.23 | 461,150,800.23 |
| 16 | Coin Insert Decal | 803,837,670.01 | 803,837,660.01 | 803,837,660.01 |
| 17 | Rain Diverter Shelf, USA | 801,902,710.01 | 801,902,710.01 | 801,902,710.01 |

EXCLUSIVE PARTS LIST

| | DESCRIPTION | SINGLE PRICE | SII | SIID |
|-----|---|----------------|----------------|----------------|
| 18 | Pepsi VRV Lockcover Kit | 480,011,200.14 | 480,011,200.14 | 480,011,200.14 |
| a | Pepsi VRV Lockcover | 592,051,800.23 | 592,051,800.23 | 592,051,800.23 |
| b | Carriage Bolt, 1/4-20x3/8" (1) | 900,201,230.11 | 900,201,230.11 | 900,201,230.11 |
| c | Coin Insert Decal for use with lockcover | 803,841,790.01 | 803,841,780.01 | 803,841,780.01 |
| 19 | Bill Validator Door VRV | 572,050,170.53 | 572,050,170.53 | 572,050,170.53 |
| 20 | Coin Return Cup Retainer | 572,050,080.23 | 572,050,080.23 | 572,050,080.23 |
| 21 | Select Button, Small Rectangle | 801,805,110.01 | 801,805,110.01 | 801,805,110.01 |
| 22 | Select Switch | 804,100,510.21 | 804,100,760.11 | 804,100,760.11 |
| 23 | Select Button Stop | 801,804,540.41 | 801,804,540.41 | 801,804,540.41 |
| 24 | Select Button Spring & Shield, Mylar | 801,804,620.31 | 801,804,620.31 | 801,804,620.31 |
| 25 | Pepsi Display Board Assembly VRV | Not Applicable | 804,907,010.91 | 804,909,450.61 |
| 26 | Control Box Assembly (Domestic) | Not Applicable | 804,909,690.01 | 804,910,980.01 |
| 27 | Vend Motor Switch | 804,100,690.01 | 804,100,730.01 | 804,100,730.01 |
| 28 | Vend Motor Assembly Brown Cam | | | |
| a | T Narrow | 497,070,900.03 | 565,070,100.13 | 565,070,100.13 |
| b | Std. Narrow | 491,070,400.03 | 572,070,000.13 | 572,070,000.13 |
| 29 | Vend Motor Assembly | | | |
| a | Green Cam T Wide | 497,070,800.13 | 565,070,200.23 | 565,070,200.23 |
| b | 20 oz. Cam T Wide | 497,270,100.13 | 565,070,400.23 | 565,070,400.23 |
| c | Blue Cam Std. Wide | 491,070,300.13 | 572,070,100.23 | 572,070,100.23 |
| 30 | Door Switch | Not Applicable | 804,100,770.21 | 804,100,770.21 |
| 31 | Sold-Out Switch | 804,100,680.71 | 804,100,750.61 | 804,100,750.61 |
| 32 | Program Label | Not Applicable | 903,835,120.31 | 803,842,850.21 |
| 33 | Coin Mech Label | 903,901,290.21 | 903,901,300.51 | 903,901,300.51 |
| 34 | Fuses | | | |
| a | 1.6 Amp Fuse (Slow Blow) | Not Applicable | 804,800,710.01 | 804,800,710.01 |
| b | 1 Amp Fuse (Slow Blow) | Not Applicable | 804,800,720.01 | 804,800,720.01 |
| c | 2.5 Amp Fuse (Slow Blow) | Not Applicable | 804,800,730.01 | 804,800,730.01 |
| d | 4 Amp Fuse (Rapid Blow) | Not Applicable | 804,908,080.01 | 804,908,080.01 |
| e | 6 Amp Fuse (Fast Acting) | Not Applicable | Not Applicable | 804,910,930.01 |
| 35 | Price Label | Not Applicable | 903,828,820.11 | 903,828,820.11 |
| 36 | Motor Cover Guard | Not Applicable | 801,807,730.01 | 801,807,730.01 |
| 37 | Transformer | Not Applicable | Not Applicable | 804,909,800.51 |
| 38 | Trim, Vend Motor Cover | Not Applicable | 801,807,850.01 | 801,807,850.01 |
| | | | | |
| A1 | Screw, Phil Pan without washer #8-18x1/2" | 900,301,500.01 | 900,301,500.01 | 900,301,500.01 |
| A2 | Screw, Phil Pan Swage Form with washer #8-18x1/2" | 900,301,640.21 | 900,301,640.21 | 900,301,640.21 |
| A3 | Carriage Bolt 1/4-20x3/4" | 900,201,560.11 | 900,201,560.11 | 900,201,560.11 |
| A4 | Keps Nut, 1/4-20 | 900,800,670.01 | 900,800,670.01 | 900,800,670.01 |
| A5 | Screw, Phil Pan Swage Form #6-32x3/8" | 900,301,700.11 | 900,301,700.11 | 900,301,700.11 |
| A6 | Keps Nut #8-32 | 900,800,500.01 | 900,800,500.01 | 900,800,500.01 |
| A7 | T-Bolt #8-32x3/4" | 900,400,350.41 | 900,400,350.41 | 900,400,350.41 |
| A8 | Pop Rivet, 1/8" | 901,100,530.01 | 901,100,530.01 | 901,100,530.01 |
| A9 | Screw, Phil Pan Type F #10-32x1-1/4" | 900,301,810.01 | 900,301,810.01 | 900,301,810.01 |
| A10 | Screw, Phil Pan Swage Form #8-32x3/8" | 900,301,560.21 | 900,301,560.21 | 900,301,560.21 |

WIRING HARNESSES

SII and SIID Only

Door Harness (From Select Panel to Control Board)

{Non-SII Not Applicable}

| | Description | SII | SIID |
|---|------------------------------|----------------|----------------|
| 1 | 6 Select VRV | 804,907,940.11 | 804,909,180.31 |
| 2 | 8 Select VRV 368/440/501/600 | 804,907,950.11 | 804,909,190.31 |
| 3 | 10 Select VRV 348/414 | 804,907,960.11 | 804,909,200.51 |
| 4 | 9 Select VRV 501E/600E | Not Applicable | 804,912,540.01 |
| 5 | 7 Select VRV 276E | Not Applicable | 804,912,750.01 |

Cabinet Harness (From Sold-Out Switches & Vend Motor Switches)

{Non-SII Not Applicable}

| | Description | SII | SIID |
|---|---------------------------|----------------|----------------|
| 1 | Cabinet Harness 501/600 | 804,906,370.31 | 804,909,410.11 |
| 2 | Cabinet Harness 368/440 | 804,906,380.31 | 804,909,390.11 |
| 3 | Cabinet Harness 348/414 | 804,906,390.21 | 804,909,370.21 |
| 4 | Cabinet Harness 360/432 | 804,907,100.31 | 804,909,420.31 |
| 5 | Cabinet Harness 300/180 | 804,907,030.21 | 804,909,330.21 |
| 6 | Cabinet Harness 276/168 | 804,906,410.31 | 804,909,350.11 |
| 7 | Cabinet Harness 501E/600E | Not Applicable | 804,912,570.11 |
| 8 | Cabinet Harness 276E | Not Applicable | 804,912,730.01 |

Motor Harness (From Coils of Vend Motors)

{Non-SII Not Applicable}

| | Description | SII | SIID |
|---|-------------------------|----------------|----------------|
| 1 | Motor Harness 501/600 | 804,906,500.21 | 804,909,400.01 |
| 2 | Motor Harness 368/440 | 804,906,490.31 | 804,909,380.01 |
| 3 | Motor Harness 348/414 | 804,906,480.11 | 804,909,360.01 |
| 4 | Motor Harness 360/432 | 804,907,090.31 | 804,909,430.11 |
| 5 | Motor Harness 300/180 | 804,907,170.01 | 804,909,320.01 |
| 6 | Motor Harness 276 | 804,906,510.21 | 804,909,340.01 |
| 7 | Motor Harness 501E/600E | Not Applicable | 804,912,560.01 |
| 8 | Motor Harness 276E | Not Applicable | 804,912,720.01 |

Miscellaneous Harnesses

{Non-SII Not Applicable}

| | Description | SII | SIID |
|----|---|----------------|----------------|
| 1 | Price Display Harness | | |
| a | All | 804,906,650.61 | 804,909,770.21 |
| b | Extended | 804,908,130.21 | 804,909,500.21 |
| 2 | Motor Extension Harness (from board to door hinge area) | | |
| a | 62" | 804,907,880.21 | 804,909,310.01 |
| b | 90" | 804,906,340.11 | 804,909,290.01 |
| 3 | Cabinet Extension Harness (from board to door hinge area) | | |
| a | All 62" | 804,906,470.31 | 804,909,300.11 |
| b | 90" | Not Applicable | 804,909,280.21 |
| 4 | Coin Mech Harness (Micro Mech) | | |
| a | MC 5000 | 804,906,620.31 | 804,909,710.41 |
| b | Extended MC 5000 | 804,908,110.01 | 804,909,510.11 |
| 5 | Coin Mech Harness (Mdb) | | |
| a | Multidrop | 804,906,660.31 | 804,909,780.01 |
| b | Extended Multidrop | Not Applicable | 804,909,530.01 |
| 6 | Low Level Note Acceptor Harness | | |
| a | USA & Mars | 804,906,640.41 | 804,909,720.11 |
| b | Extended (Dr. Pepper & 7Up) USA & Mars | 804,908,120.01 | 804,909,540.11 |
| c | Mars 110V (VFM1 or VFM3 & VN2001) | Not Applicable | 804,912,590.01 |
| 7 | SA Executive Coin Mech Harness | 804,907,760.11 | Not Applicable |
| 8 | High Level Note Acceptor Harness | | |
| a | Mars | 804,907,800.11 | 804,909,740.01 |
| b | Extended (Dr. Pepper & 7Up) Mars | Not Applicable | 804,909,520.01 |
| c | Maka | 804,907,710.31 | 804,909,760.01 |
| d | CBA-2 & UBA-2 | 804,907,790.31 | 804,909,750.01 |
| e | BA-30 | Not Applicable | 804,909,790.01 |
| 9 | Coin Mech Harness to Interface Maka | 804,907,820.01 | 804,909,730.01 |
| 10 | BDV Coin Mech Harness (2x5928) | 804,907,890.21 | Not Applicable |
| 11 | ACD Interface Cable (Greenwich Box) | Not Applicable | 804,910,610.31 |
| 12 | External DEX Harness (Service Only) | 804,907,830.61 | 804,907,830.61 |
| 13 | DEX Interface Harness | | |
| a | (9 Pin) | 804,910,080.01 | 804,910,080.01 |
| b | (25 Pin) | 804,910,090.01 | 804,910,090.01 |
| 14 | Coinco BA30 Note Acceptor Harness Mdb (#407420) | Not Applicable | 804,909,610.01 |