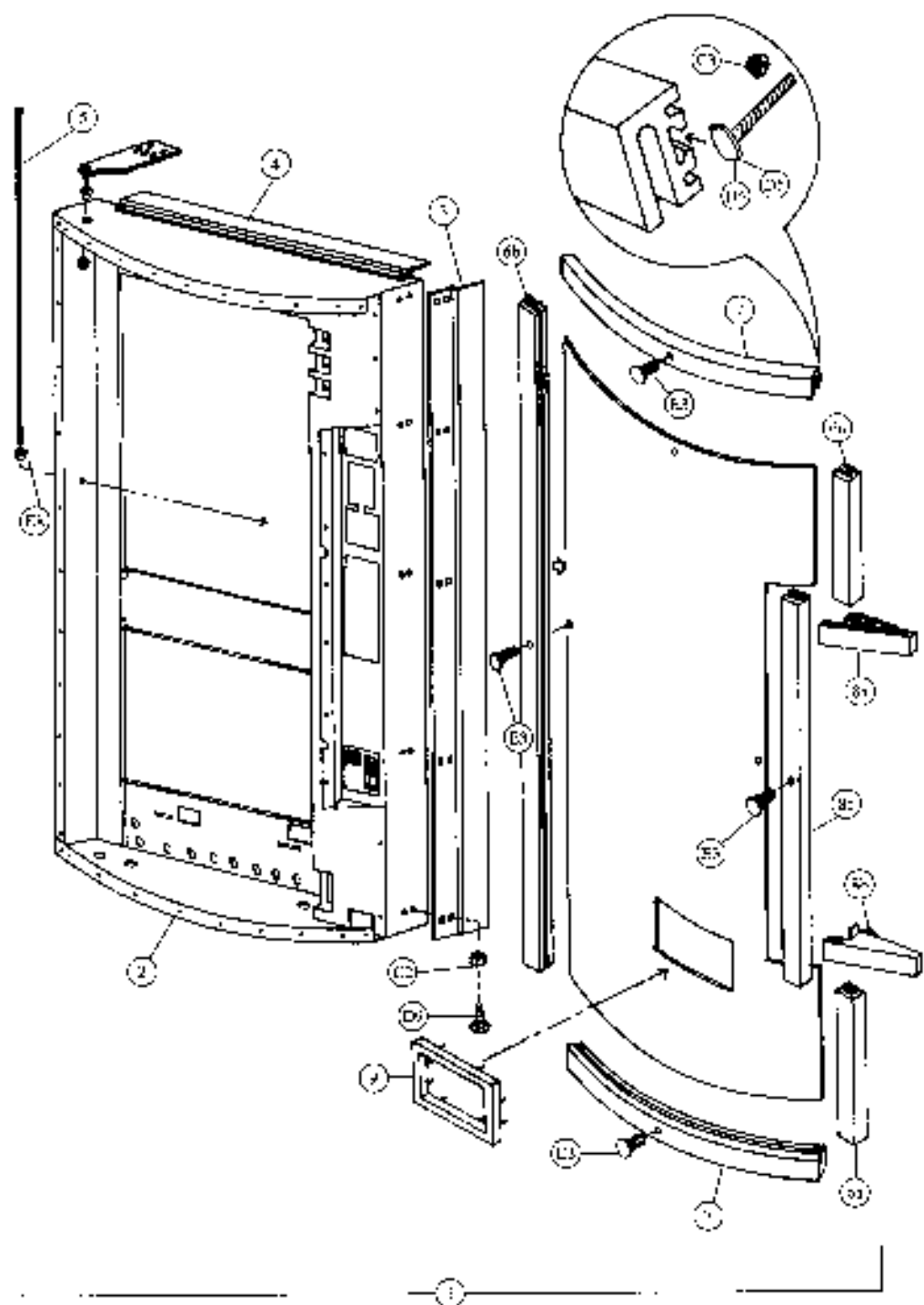




## Coke (Landscape) DNCB 348CC

Dimensions	72" H x 37 1/2" W x 30 1/2" D (1829mm H x 940mm W x 775mm D)
Dimensions Less Door	72" H x 37 1/2" W x 27 1/2" D (1829mm H x 940mm W x 698mm D)
Approximate Weight	728 lbs. (330kg)
Selections/Columns	9/10
Total 12 oz. (330ml) Cans Capacity/Vend	350/330
Column Capacity 12 oz. (330ml) Cans	9 Single Columns - 32 each 1 Double Column - 62 each

# Main Door - Exterior - Coke (Landscape)



**Main Door - Exterior - Coke (Landscape)**

Item	Part Number	Part Name And Description
1	532,050,000.03	Main Door Assembly (specify graphics & harness)
2	532,050,100.03	Main Door Weld Assembly
3	165,150,331.23	Protective Plate Door
4	164,151,142.33	Rain Guard
5	900,502,510.11	Tie Rod
6a	801,805,620.31	12 3/8" (309mm) RS Vertical Trim, 20°
6b	801,805,470.01	68 1/8" (1727mm) LS Vertical Trim
7	801,805,470.01	34 3/8" (859mm) Horizontal Trim (top & bottom)
8a	801,805,810.11	6 1/8" (167mm) Top Enclosure
8b	801,805,820.11	6 1/8" (167mm) Bottom Enclosure
8c	801,805,470.01	41 1/8" (1046mm) Sign Trim
9	801,602,860.31	Delivery Port Trim

E8	900,800,510.01	Elastic Stop Nut #8 - 32	
D4	900,400,410.01	T-Bolt #8 - 32 x 1 1/4	
D5	900,400,350.31	T-Bolt #8 - 32 x 3/4	(46)
E3	900,902,130.01	Christmas Tree Clip	(4)
D9	900,201,450.01	Carriage Bolt 1/4 - 20 x 1/2	(10)
C2	900,800,670.01	Keps Nut 1/4 - 20	(10)
C3	900,800,500.01	Keps Nut #8 - 32	(52)

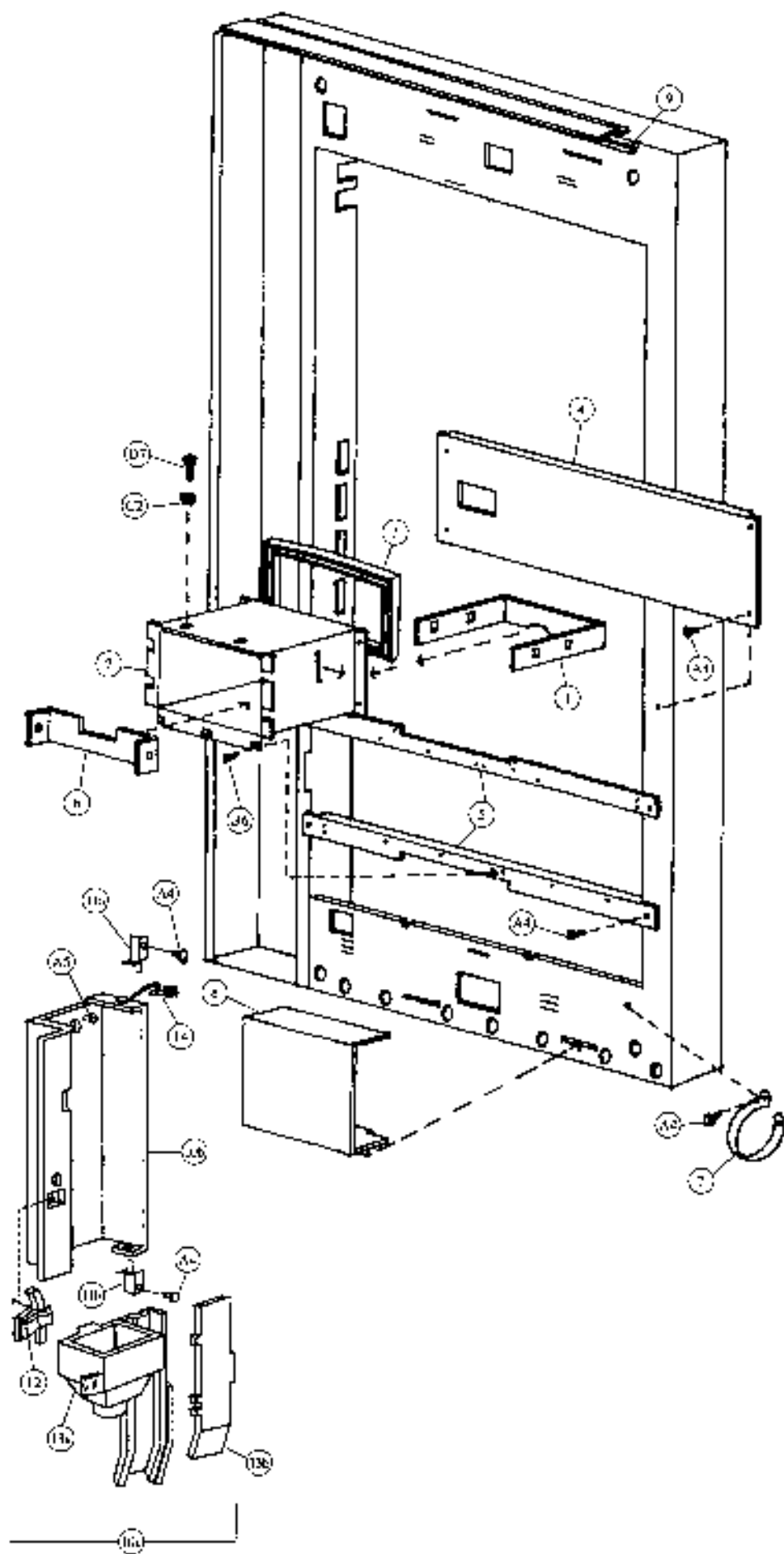


**Main Door - Interior (A) - Coke (Landscape)**

Item	Part Number	Part Name And Description
1a	801,806,930.01	Point Of Sale Window
1b	432,050,470.23	Point Of Sale Window Retainer
1c	902,001,030.01	Point Of Sale Window Gasket
1d	See list below	Point Of Sale Card (not shown)
	803,822,900.01	12 oz. Can (US & Canada)
	803,826,180.01	12 oz. Can (all others)
	803,826,360.01	"Coke Is It" (Taiwan)
	903,829,220.01	Minute Maid
	803,830,000.01	20 oz. Bottle
	803,829,230.11	16 oz. Bottle
	803,822,190.01	10 oz. Bottle
2a	801,805,610.11	Change Cup & Opener Bezel
2b	801,805,530.11	Change Cup
2c	399,050,270.13	Opener Housing Reinforcement Plate
3a	432,051,800.03	Lockable Cash Box, w/a
3b	432,050,181.43	Cash Box Shelf
4	432,050,340.43	Security Shelf
5	521,050,050.13	P.O.S. Window Security Channel (not shown)
6	901,000,190.01	Crown Puller (not shown)
7	432,050,400.03	Crown Catcher (not shown)
8	432,050,280.23	Crown Chute (not shown)

CC	901,201,220.11	Screw, Machine #8 - 32 x 3/8
E8	900,800,510.01	Elastic Stop Nut #8 - 32
B6	900,301,650.01	Screw, Phil Pan (with washer) #8 - 18 x 1/2 (not shown) (2)
C3	900,800,500.01	Keps Nut #8 - 32 (9)
B4	900,201,140.01	Screw, Machine Truss #10 - 32 1/2 (2)
A4	900,301,500.01	Screw, Phil Pan (without washer) #8 x 18 x 1/2

# Main Door - Interior (B) - Coke (Landscape)



## Main Door - Interior (B) - Coke (Landscape)

Item	Part Number	Part Name And Description
1	360,050,370.23	Discharge Member
2	801,806,030.61	Delivery Port (Flush mount)
3	801,805,670.11	Port Spacer - Coke
4	453,150,010.23	Center Door Stiffener
5	480,050,060.03	Delivery Port Stiffener
6	432,010,510.13	Closure Strip
7	901,901,890.01	1" Clamp
8	432,050,660.03	Cover Wire Plug
9	903,600,530.01	L-Profile Gasket
10a	491,050,600.03	Access Door Assembly (all)
10b	432,150,030.23	Access Door (all)
11a	432,051,000.03	Access Door Top Hinge, w/a
11b	432,051,101.63	Access Door Bottom Hinge, w/a
12	901,902,130.01	Access Door Latch
13a	801,806,580.11	Coin Hopper & Chute
13b	801,806,590.11	Coin Chute Front
14	804,902,610.01	4" Ground Wire (1012mm)

B6	900,301,650.01	Screw, Phil Pan (with washer) #8 - 18 x 1/2 (3)
A5	900,301,970.01	Screw, Phil Pan #8 - 32 x 1/4
C3	900,800,500.01	Nuts #8 - 32
A4	900,301,500.01	Screw, Phil Pan (without washer) #8 - 18 x 1/2 (9)
D7	900,201,170.01	Carriage Bolt 1/4 - 20 x 1 (6)
C2	900,800,670.01	Nuts 1/4 - 20 (6)
A9	900,301,560.01	Semis Screw #8 - 32 x 3/8
B7	900,302,010.01	Self-Tapping Screw 1/4 - 20 x 3/8





## Pull-Out Handle &amp; Coin Insert - Coke (Landscape)

Item	Part Number	Part Name And Description	
1a	801.503.040.01	T Handle Assembly	
1b	Specify key number	Lock with Two Keys	
1c	Specify key number	Key Only	
1d	801.505.750.01	Handle Only	
1e	901.507.050.01	Spring	
1f	4255-6-14W	Stud	
1g	903.505.090.11	Cross Pin	
2a	See list below	Complete Coin Insert Kit with 1 Handle	
	491.010.800.04	Domestic (USA and Canada)	
	Not applicable	Export (All others except listed below)	
	Not applicable	Mexico	
	Not applicable	Argentina - Token	
2b	See list below	Complete Coin Insert Kit without 1 Handle	
	491.050.500.03	Domestic (USA and Canada)	
	491.150.500.03	Export (All others except listed below)	
	480.350.500.03	Mexico	
	480.550.500.03	Argentina - Token	
3a	See list below	Coin Insert Only	
	801.201.160.41	Domestic (USA and Canada)	
	801.201.170.21	Export (All others except listed below)	
	801.201.280.11	Mexico	
	801.201.270.21	Argentina - Token	
2d	453.050.130.83	Coin Insert Retainer	
2e	801.805.800.31	Coin Chute Cover	
2f	801.805.790.61	Coin Chute	
2g	901.700.630.11	Spring Extension	
2h	453.050.800.03	Coin Return Plunger Assembly	
2i	432.050.570.33	Plunger Bracket	
3	432.050.210.22	Validator Plate	
4	See list below	Instruction Label	(not shown)
	803.822.940.01	English	
	903.837.680.01	Irish	
	803.825.760.01	Spanish	
	803.825.410.02	French	
	803.825.750.01	Italian	
	803.825.740.01	German	
5	See list below	Correct Change Lamp	
	904.700.180.31	English "Use Correct Change"	
	804.700.500.11	English IEC Standard "Use Correct Change"	
	804.700.440.31	Spanish "Importe Exacto"	
	804.700.450.01	French "Faites L'Appoint"	
	804.700.400.21	Italian "Usare Moneta Corrente"	
	804.700.470.21	Turkish "Lütfen Para Atınız"	
	804.700.480.21	German "Abgezahltes Geld Verwenden"	
	904.700.490.21	Portuguese "Introduza Quantia Exacta"	
6	801.806.080.11	Drip Chute	(not shown)
E6	901.503.070.01	E Ring	(2)
C8	901.503.660.01	Flat Washer	
C9	901.503.080.01	Hex Washer	
A1	900.701.700.01	Seems Screw #6-32 x 3/8	(4)
C5	900.800.500.01	Keps Nut #8-32	(4)

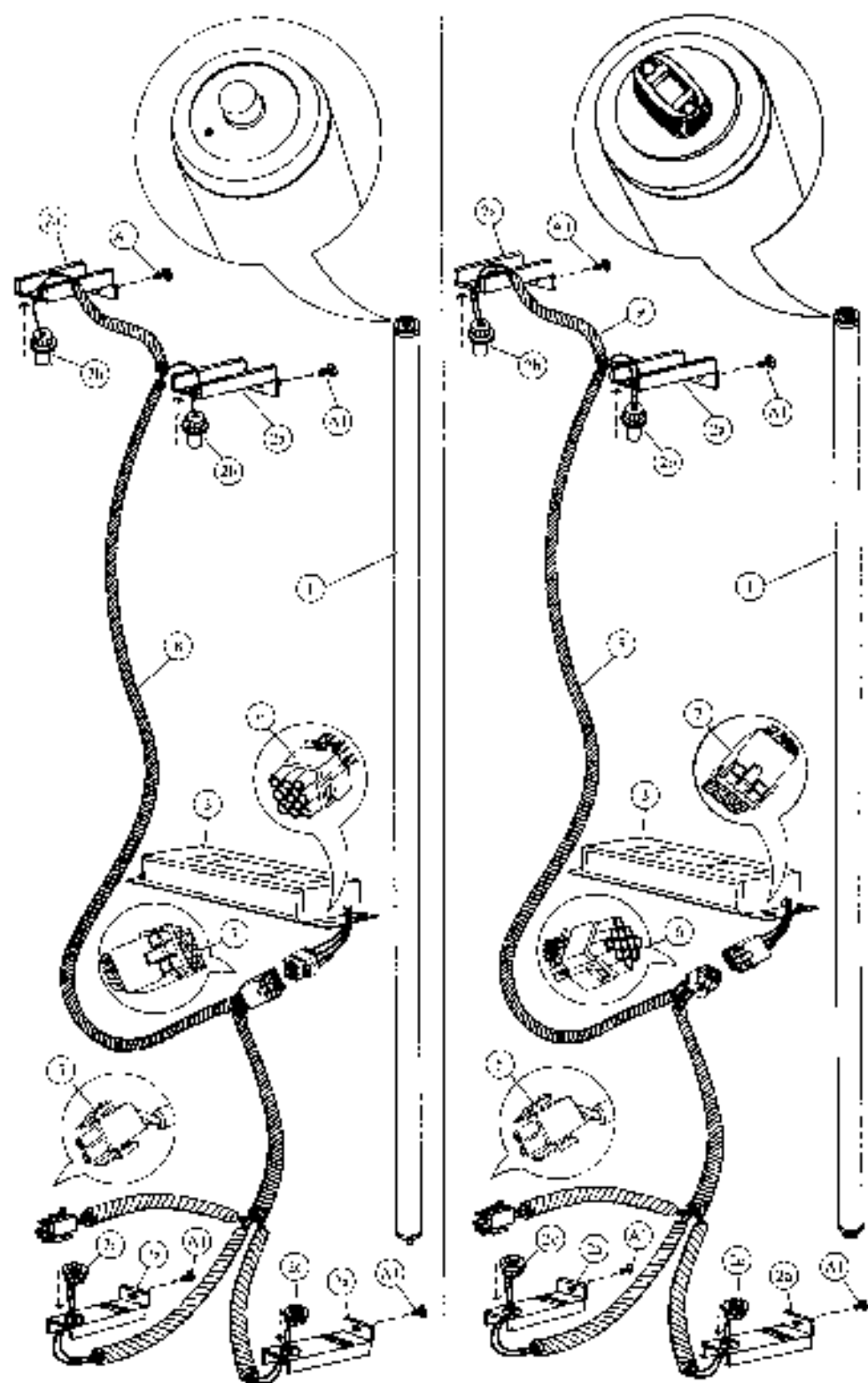


**Select Panel - Coke (Landscape)**

Item	Part Number	Part Name And Description
1	499,050,400.03	Select Panel Assembly (specify harness)
2	801,805,750.01	Select Panel
3	See list below	Door Harness
	804,903,730.31	Single Price & Single Price - IEC Standard
	804,903,970.41	Two Price & Two Price - IEC Standard
	804,904,140.41	Four Price & Four Price - IEC Standard
4	499,050,700.03	Select Switch Bar Assembly
5	437,050,030.63	Select Switch Bar
6	904,600,830.01	15-Way Plug
7a	904,600,620.01	Socket, Relay
7b	904,600,600.01	Socket, Coin Changer
8a	804,200,190.01	Sequence Relay
8b	804,200,170.01	Vend Relay (single price only)
9	901,901,890.01	1" Clamp
10a	801,805,710.21	Push Button
10b	901,700,720.11	Push Button Spring
11	801,805,920.21	Switch Insulator
12	902,000,580.01	Nylet
13	804,700,210.01	Sold Out Lamp
14	Indicate flavor	Flavor Cards (not shown)
15	804,100,710.01	Select Switches (single Micro)
16	904,600,700.01	2-Way Cap

A4	900,301,500.01	Screw, Phil Pan (without washer) #8 - 18 x 1/2	(2)
A9	900,301,560.01	Sems Screw #8 - 32 x 3/8	(7)
A7	900,300,470.01	Screw, Phil Pan #4 x 3/4	(14)
D3	900,400,430.01	T-Bolt #8 - 32 x 1	(4)
C3	900,800,500.01	Keys Nut #8 - 32	(14)

## Lighting - Coke (Landscape)



Slimline

High-Output

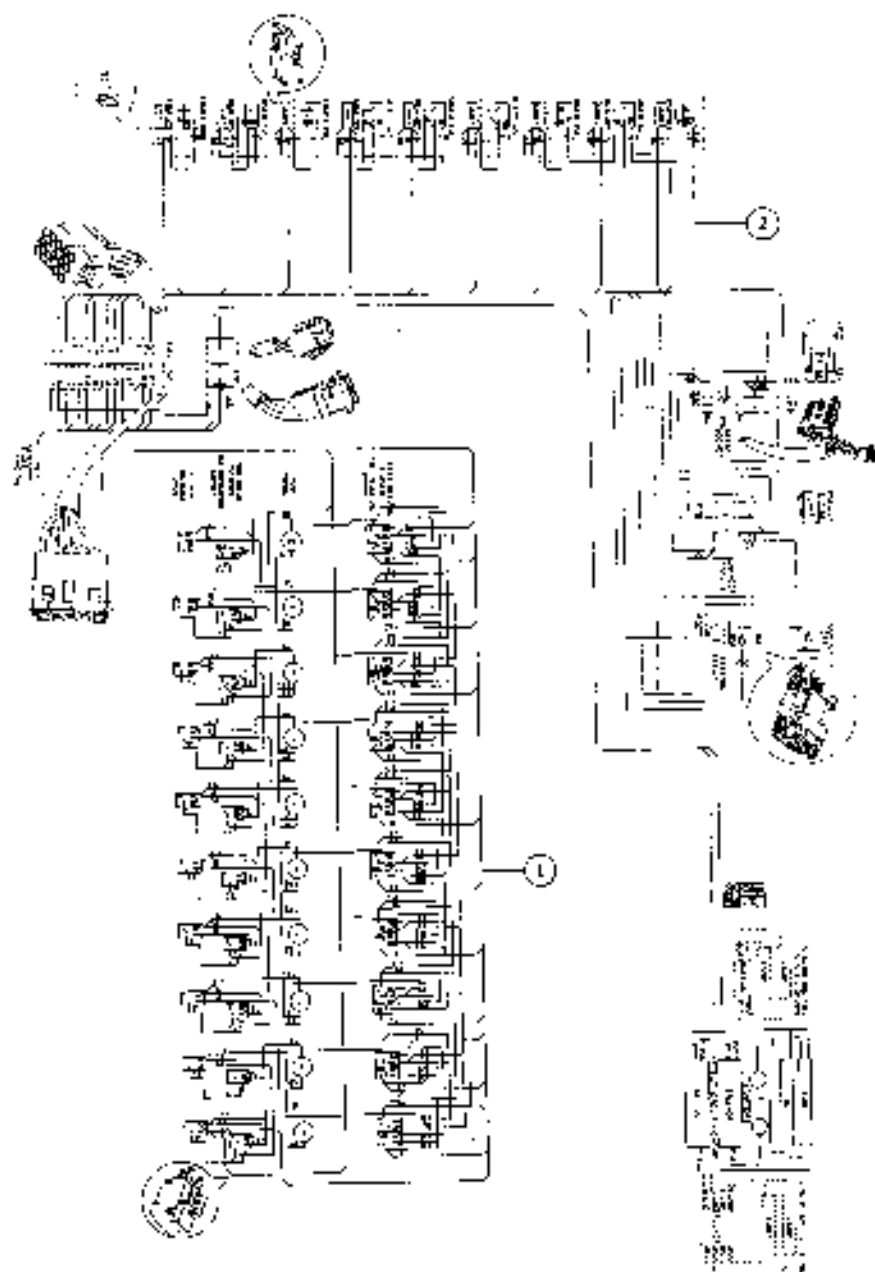
## Lighting - Coke (Landscape)

Item	Part Number	Part Name And Description
<b>High-Output Lighting</b>		
1	804,700,370.01	Fluorescent Bulb - F64T12/D/HO
2a	432,050,380.63	Door Bracket Lamp Socket
2b	804,901,990.01	Top Lamp Holders - 523
2c	804,902,000.01	Bottom Lamp Holders - 524
3	804,400,380.01	Plug-In Ballast, Advance #VSM/HO
4	904,800,520.01	Connector, Electrical (not shown) (scotchlock 557)
5	904,600,710.01	2-Way Plug
6	904,600,670.01	9-Way Plug
7	904,600,660.01	9-Way Cap
8	804,904,510.21	Plug-In Ballast Harness, High Output
9	804,904,920.11	Lamp Fixture Juniper, High Output

<b>Slimline Lighting</b>		
1	804,700,300.01	Fluorescent Bulb - F64T12/DAYLT
2a	432,050,380.63	Door Bracket Lamp Socket
2b	804,902,020.01	Top Lamp Holders - 516
2c	804,902,030.01	Bottom Lamp Holders - 517
3	804,400,370.11	Plug-In Ballast - Advance Slimline
4	904,800,520.01	Connector, Electrical (not shown) (scotchlock 557)
5	904,600,710.01	2-Way Plug
6	904,600,670.01	9-Way Plug
7	904,600,660.01	9-Way Cap
8	804,904,600.61	Plug-In Ballast Harness, Slimline

A1	900,301,700.01	Sheet Metal Screw #6 - 32 x 3/8	(4)
----	----------------	---------------------------------	-----

## Wiring Harness - Coke (Landscape)



Sample Diagram

10 Column Dual Adaptable, Sequencing 1 & 2, Single Price









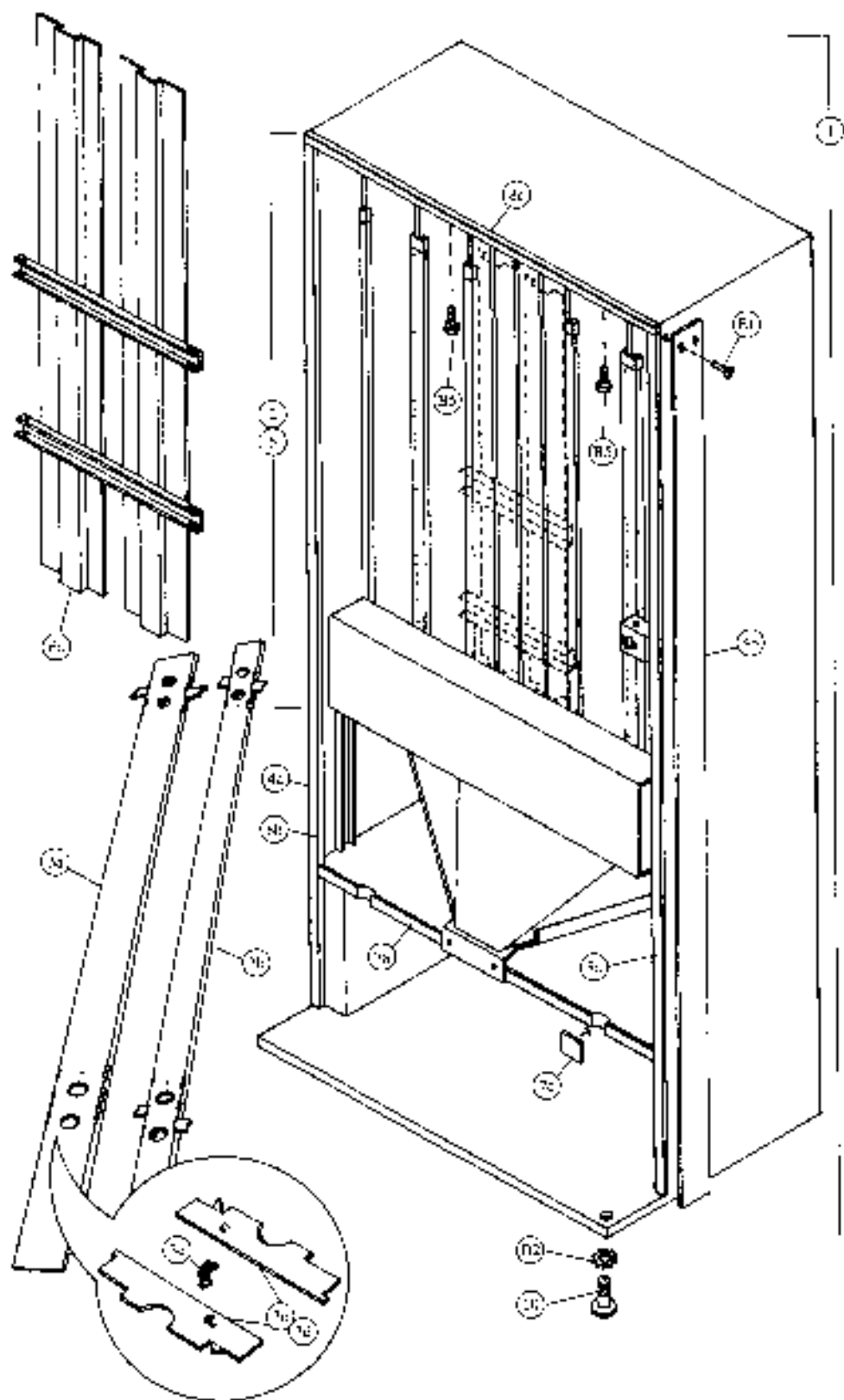


**Two-Bar Linkage & Nut Retainer Housing - Coke (Landscape)**

Item	Part Number	Part Name And Description
1	491,070,500.03	Linkage & Drive Arm Assembly
2a	900,901,940.01	Groove Pin, 1 7/8" (30mm)
2b	801,200,950.61	Drive Arm
3	801,201,030.01	Linkage Arm
4a	801,803,160.01	Top Nyliner
4b	801,804,770.01	Bottom Nyliner
5a	432,052,500.04	Traditional Nut Retainer Housing Assembly
5b	432,050,750.03	Traditional Nut Retainer Housing
5c	801,303,850.11	Traditional Cage Nut
5d	900,800,570.11	Square Nut, 5/8 - 13 N.C.
6a	432,052,600.04	Star Lock Nut Retainer Housing Assembly
6b	432,050,760.03	Star Lock Nut Retainer Housing
6c	801,303,860.11	Cage Nut Star Lock
6d	801,505,510.01	Latch Housing Star Lock

C6	900,700,600.01	Flat Washer, Delrin .040
A2	900,301,640.01	Sems Screw #8 - 32 x 1/2
B5	900,301,730.21	Sems Screw 1/4 - 20 x 1
A5	900,301,970.01	Sems Screw #8 - 32 x 1/4

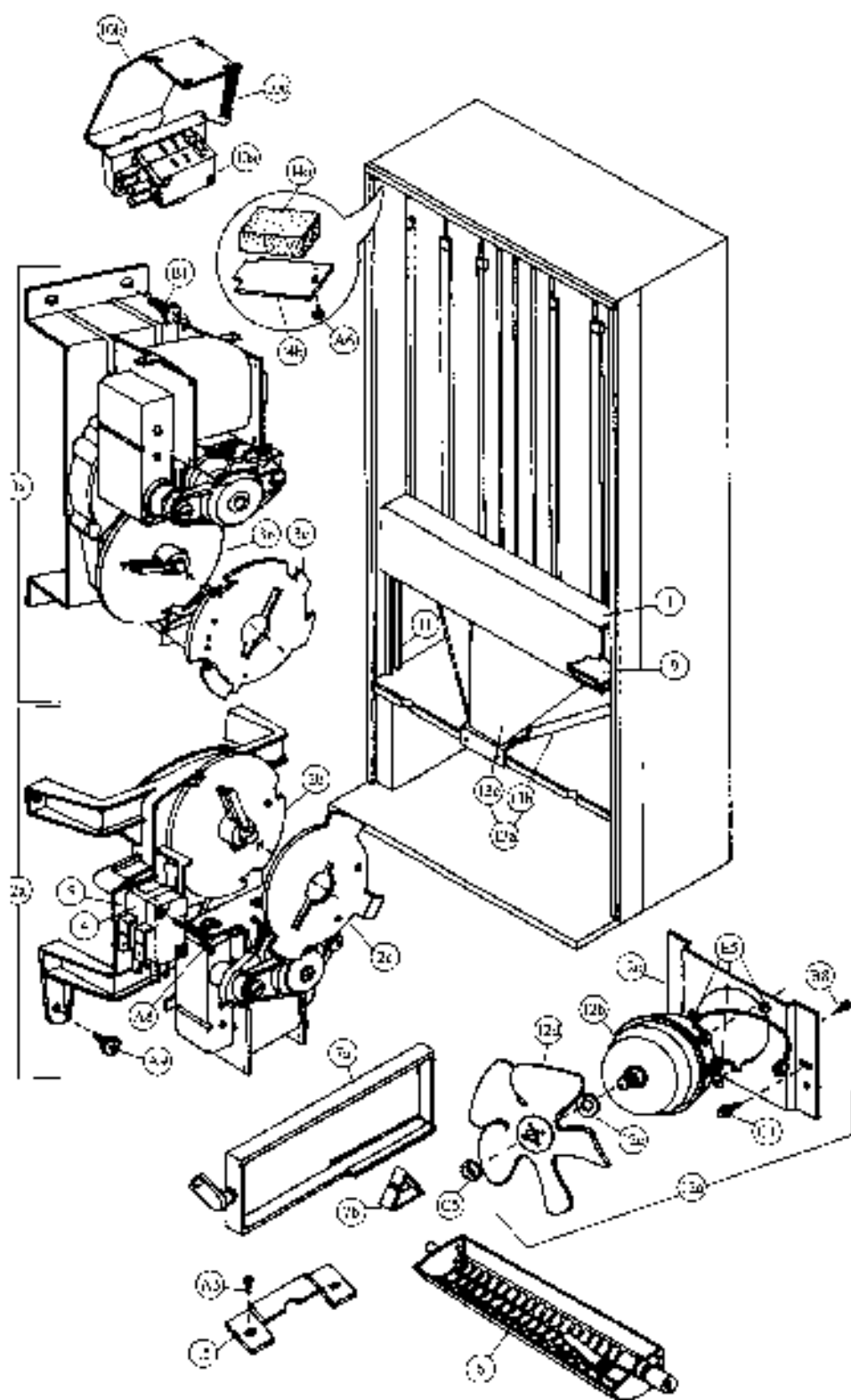
## Cabinet Interior - Coke (Landscape)



**Cabinet Interior - Coke (Landscape)**

Item	Part Number	Part Name and Description	
1	492,001,700.03	Four Cabinet Assembly	(specify harness)
2	See list below	Stack Assembly	
	532,070,000.03	Single Price & Single Price - IEC Standard	
	532,170,000.03	Two-Four Price & Two-Four Price - IEC Standard	
3a	492,070,200.01	Rear Spacer, Wide Column	
3b	492,070,300.03	Rear Spacers, Narrow Column	
3c	267,070,080.52	Latch Finger, Long	
3d	267,070,210.47	Latch Finger, Short	
3e	901,700,690.01	Rear Spacer Spring	
4a	165,000,041.33	Protective Plate, JS Cabinet	(not shown)
4b	165,000,041.63	Protective Plate, RS Cabinet	
5	532,070,100.03	Stack Sub Assembly	
6a	532,070,200.03 (A)	Gate, w/a (wide)	
	532,070,300.03 (B)	Gate, w/a (narrow)	
6f	491,071,000.03 (A)	Gate Hinge (wide)	(not shown)
	490,070,500.03 (B)	Gate Hinge (narrow)	(not shown)
6c	350,070,130.13	Gate Latch	(not shown)
7a	801,806,230.11	Mullion	
7b	801,303,630.21	Mullion Cover, Metal	(not shown)
7c	801,806,220.11	Mullion Cover, Plastic	(not shown)
8a	492,020,040.03	Breaker Strip, Right	
8b	492,020,050.03	Breaker Strip, Left	
8c	491,020,170.03	Breaker Strip, Top	
9a	480,000,100.13	Ballast Plate Assembly	(not shown)
	491,020,800.23	Ballast Plate Assembly - IEC Standard	(not shown)
9b	432,020,070.23	Ballast Plate	(not shown)
	492,050,140.03	Ballast Plate - IEC Standard	(not shown)
10	900,502,490.71	Leveling Leg, 5/8"	(4)
11	350,170,020.24	Mounting Bracket, Rear	(not shown)
12	437,010,020.13	Rodent Guard, Wide	(not shown)
	474,011,300.13	Rodent Guard, Wide - IEC Standard	(not shown)
13	804,400,360.01	Transformer, Busbar Isolation	(not shown)
14	804,402,170.11	Transformer, Jumper	(not shown)
15	not applicable	Transformer, Jumper - IEC Standard	(not shown)
16a	901,902,280.01	Heavy Wire Clip #3699	(not shown)
16b	900,901,590.01	Cable Clamp, Green	(not shown)
E1a	901,800,430.01	Pop Rivet, 3/4"	(10)
E5	900,301,730.21	Self-Tapping Screw 1/4 - 20 x 1	(4)
E1b	901,800,440.01	Drive Rivet, 1/2"	(10)
D2	900,700,890.01	Lock Washer, 3/8"	
E3	901,100,520.01	Pop Rivet, 3/4"	

# Cabinet & Vend Mechanism - Coke (Landscape)

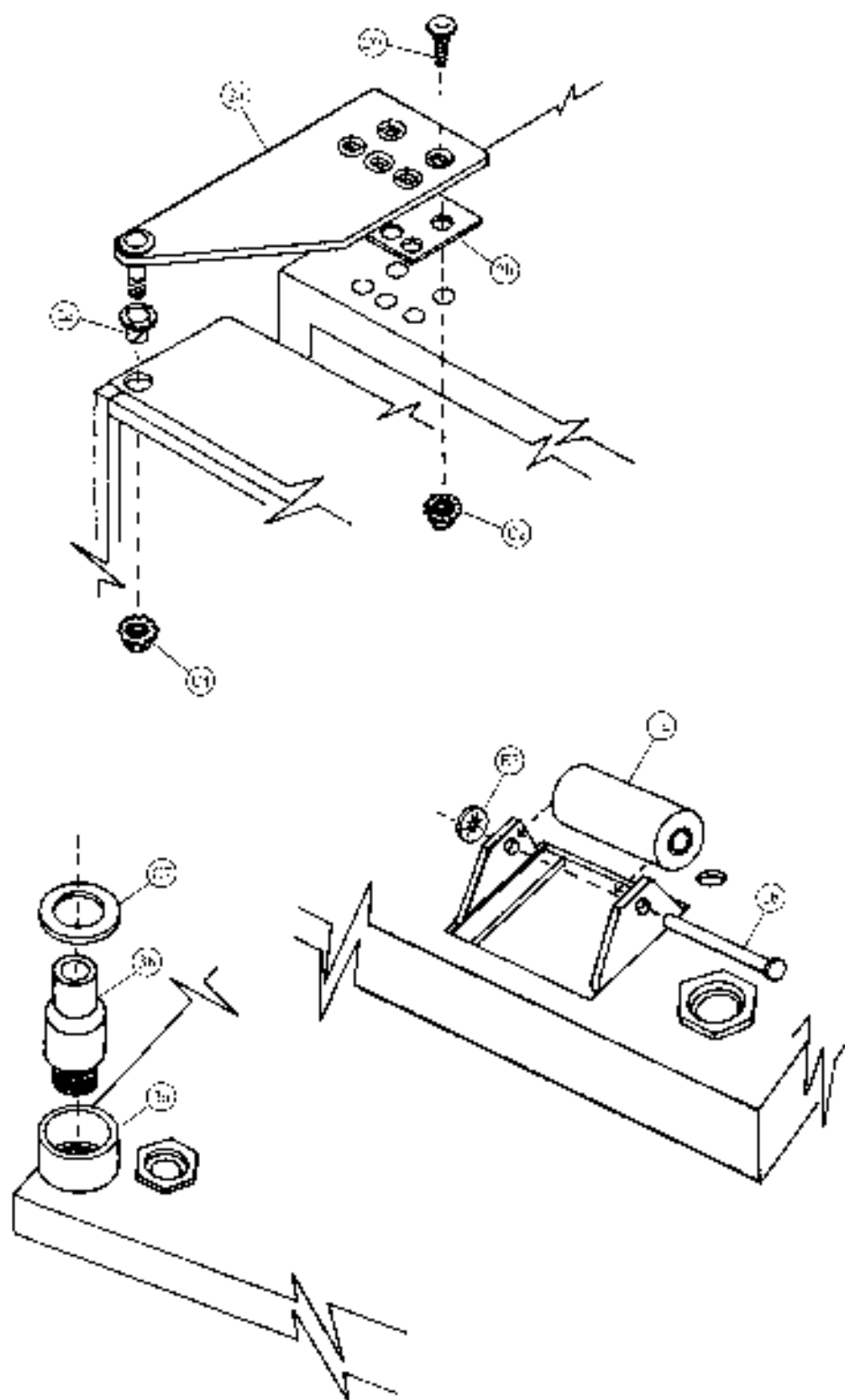


## Cabinet &amp; Vend Mechanism - Coke (Landscape)

Item	Part Number	Part Name And Description
1	491,070,050.03	Vend Motor Cover, Wide
	491,071,200.23	Vend Motor Cover, Wide - IEC Standard
2a	See list below	Vend Motor Assembly, Wide
	491,070,400.03	Single Price
	491,170,100.03	Two/Three Price
2b	801,806,390.21	Vend Cam, Blue
2c	801,806,400.11	Adjustable Cam, Gold
3a	See list below	Vend Motor Assembly, Narrow
	491,070,400.03	Single Price
	491,170,200.03	Two/Three Price
3b	801,806,130.21	Vend Cam, Brown
3c	801,806,610.21	Adjustable Cam, Brown
4	See list below	Vend Motor Switch
	804,100,600.01	Single Price (Double Switch)
	804,100,690.01	Single Price - IEC Standard (Double Switch)
	804,100,700.01	Two/Four Price - IEC Standard (Triple Switch)
5	905,800,330.11	Vend Motor Switch Insulator
6	801,201,211.61	Vend Rotor - narrow Column
7a	801,201,010.01	Vend Oscillator - Wide Column
7b	901,700,650.31	Cam Retainer Oscillator
8a	801,803,170.21	Nylonet, Rear (not shown)
8b	901,804,230.01	Nylonet, Front - Wide Column only (not shown)
9	267,070,370.43	Wire Shield
10a	804,100,610.01	Sold Out Switch Assembly
	804,100,680.01	Sold Out Switch Assembly - IEC Standard
10b	432,070,190.13	Sold Out Paddle
10c	901,700,740.01	Sold Out Paddle Spring
11	491,020,070.53	Mechanism Support
12a	See list below	Evaporator Fan Motor Assembly
	491,000,200.03	115v
	491,140,400.03	220-240v
12b	See list below	Evaporator Fan Motor
	804,500,590.01	115v
	804,500,520.01	220-240v
12c	164,040,080.73	Evaporator Fan Motor Bracket
12d	801,303,270.11	Evaporator Fan Blade
12e	1032,100,290.01	Solexect
13a	491,071,100.05	Can Chute Assembly (includes 13b & 13c)
13b	211,170,010.43	Can and Bottle Chute
13c	211,070,030.43	Chute Liner (Kydex)
14a	903,300,770.01	Front Block
14b	169,000,130.05	Hinge Pocket Cover
15	176,072,110.13	Journal

C1	900,901,510.02	Screw, Flat Pan Tapping	
A1	900,301,830.01	Sems Screw #10 - 32 x 1/2	(8)
A6	900,600,230.02	Sheet Metal Screw, Type "A"	
B9	900,301,690.01	Hex Tap Screw #8 - 32 x 1/2	(3)
A8	900,301,830.01	Vend Motor Screw #4 x 1 1/2 - Double Switch	(16)
	900,301,610.01	Vend Motor Screw #4 x 1 1/2 - Triple Switch	
A9	900,301,560.01	Sems Screw #8 - 32 x 1/2	(28)
E5	900,401,090.01	Grommet, Black Rubber #97	(3)
C5	900,900,850.01	Speed Nut	
B1	900,301,850.01	Sems Screw #8 - 32 x 1/2	

## Hinges and Rollers - Coke (Landscape)





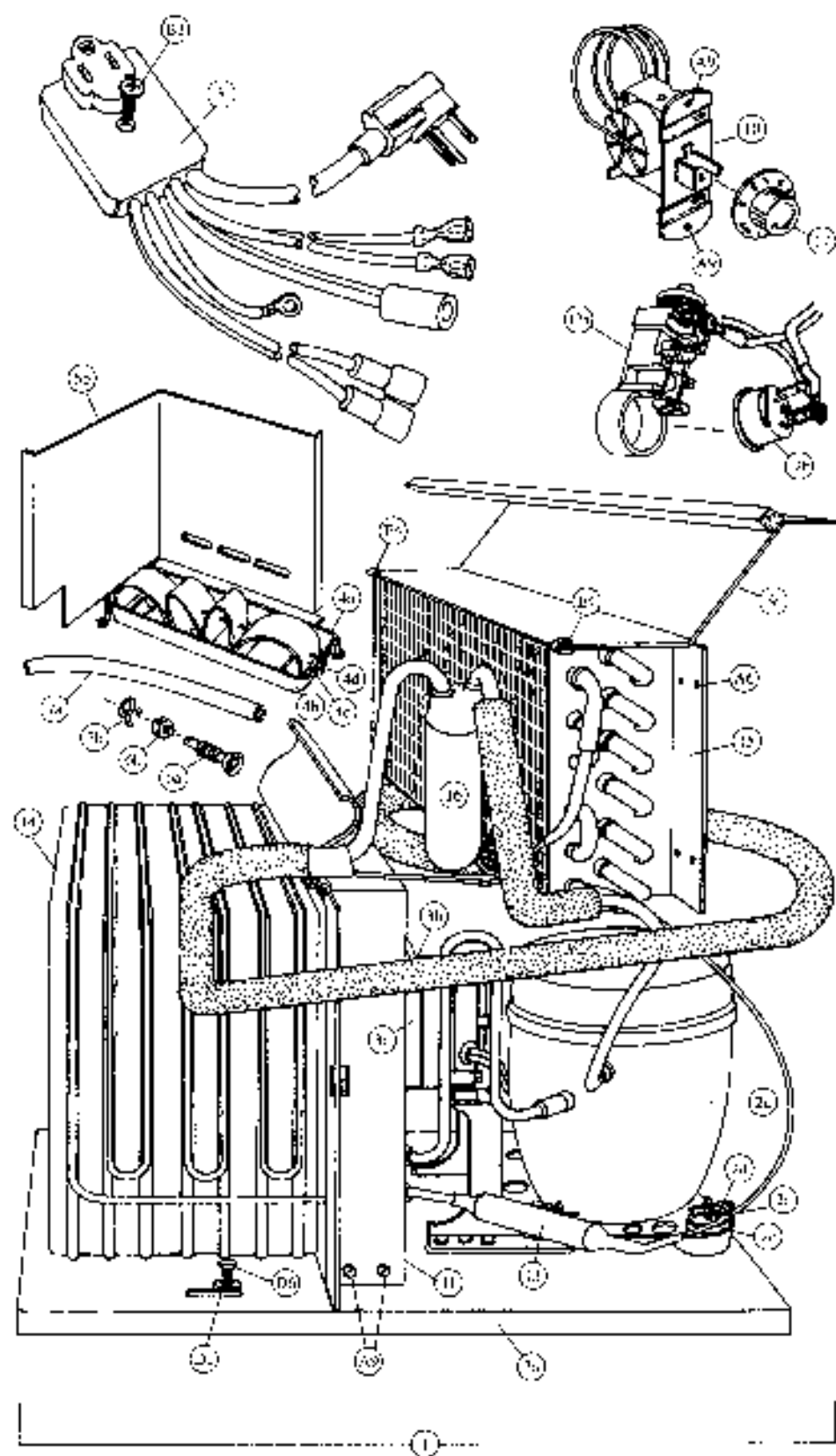
**Hinges and Rollers - Coke (Landscape)**

Item	Part Number	Part Name And Description
1a	901,806,200.11	Roller
1b	900,502,190.01	Roller Pin
2a	801,303,730.01	Top Hinge
2b	169,000,150.53	Hinge Spacer
2c	901,803,150.01	Standard Flange Nyliner
3a	900,502,640.01	Bottom Hinge Sleeve
3b	900,502,650.21	Bottom Hinge Pin

E7	900,900,900.01	Retainer
D7	900,201,170.01	Carriage Bolt $\frac{1}{4}$ - 20 x 1 (5)
C2	900,800,670.01	Keys Nut $\frac{1}{8}$ - 20 (5)
C7	901,303,770.01	Flat Washer
C4	900,800,690.01	Keys Nut, Top Door Hinge $\frac{3}{8}$ - 16

When Ordering Parts, Indicate Model # And Serial # Of Vender.  
 All Parts Numbers And Prices Are Subject To Change Without Notice. 0393

## Refrigeration - Coke (Landscape)



## Refrigeration System - Coke (Landscape)

Item	Part Number	Part Name And Description	
1	Provide information listed:	Complete Refrigeration System: Indicate unit model number from serial plate on unit base plate, refrigerant, voltage/hertz and country.	
2a	Provide information listed:	Compressor $\frac{1}{2}$ HP: Indicate compressor manufacturer, voltage/hertz, refrigerant and complete manufacturer's model number.	
2b	See list below	Compressor Lead Harness	(not shown)
	904,900,611.01	All, except IEC Standard	
	804,905,320.01	220-240v/50hz, IEC Standard	
2c	902,000,570.01	Compressor Mounting Grommet	
2d	900,901,880.01	Compressor Mounting Retainer Clip	
2e	902,803,910.01	Compressor Grommet Plug, Plastic	
3a	491,040,040.43	Condenser Base Plate	
3b	See list below	Condenser Fan Motor Assembly	
	491,040,200.03	115v	
	491,140,300.03	220-240v	
3c	See list below	Condenser Fan Motor	
	804,500,670.01	115v	
	804,500,700.01	220-240v	
3d	800,103,370.02	Fan Blade	(not shown)
4a	491,000,100.03	Drain Pan Assembly	
4b	801,302,670.11	Drain Pan	
4c	901,900,020.21	Solder	(8 required)
4d	901,400,060.11	Snaker Rod	
5a	491,040,050.53	Condenser Baffle, Right Side	(not shown)
5b	491,040,060.63	Condenser Baffle, Rear	
5c	801,806,050.11	Drain Tube	
6b	900,301,790.01	Drain Tube Nut	
7a	901,900,500.01	Drain Hose	
7b	900,901,030.01	Drain Hose Clamp	
8	See listing below	Main Wiring Harness	
	804,902,220.01 (a)	United States	
	804,905,480.01 (b)	Australia, IEC 335	(not shown)
	804,905,490.01 (c)	United Kingdom, IEC 335	(not shown)
	804,902,160.21 (d)	Europe	(not shown)
	804,905,160.01 (e)	Mexico	(not shown)
	804,905,450.01 (f)	Italy	(not shown)
	804,905,470.01 (g)	Danish, IEC 335	(not shown)
	804,905,360.01 (h)	Germany, with Splashwater Protector	(not shown)
9	211,040,070.13	Top Fan Housing	
10	802,800,410.01	Temperature Control	
11	491,040,110.33	Fan Guard Condenser	
12a	Provide information listed:	Relay: Indicate compressor manufacturer, model # and voltage/hz	
12b	Provide information listed:	Overload: Indicate compressor manufacturer, model # and voltage/hz.	
13	802,401,240.01	Dryer	
14	802,600,550.01	Condenser	
15	802,600,370.51	Evaporator	
16	802,400,460.01	Accumulator	
17	802,800,420.01	Knob, Temperature Control	
A6	900,600,230.02	Sheet Metal Screw, Type "A" (not shown)	(2)
A7	900,301,560.01	Seals Screw #8 - 32 x $\frac{3}{8}$	(8)
B3	900,301,810.01	Screw, #10 - 12 x 1 $\frac{1}{2}$	
D1	900,300,360.01	Lockwasher, $\frac{3}{8}$ "	(2)
F4	900,901,890.01	Tinnerman Clip	(2)
D6	900,401,440.01	Refrigeration Bolt $\frac{3}{8}$ - 16 x 1	(2)

Signs and Decals - Coke (Landscape)



①



②



③

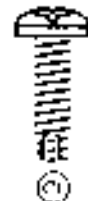
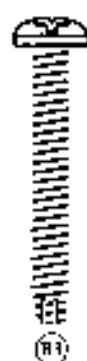
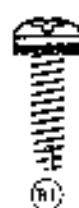
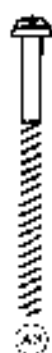
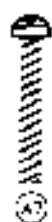


④

## Signs &amp; Decals- Coke (Landscape)

Item	Part Number	Part Name And Description	
1	See list below	Circular Coke Signs	
	805.006.460.01	Coca-Cola (USA) (shown)	
	805.006.650.01	Coca-Cola Bebu	
	805.006.710.01	Coca-Cola CSA French	
	805.006.720.01	Coca-Cola International	
	805.006.770.01	Coca-Cola Italy	
	805.006.910.01	Coca-Cola CSA English	
	805.006.940.01	Coca-Cola Drink International	
	805.006.950.01	Coca-Cola Bever International	
	805.007.140.01	Coca-Cola Horizontal	
	805.007.260.01	Coca-Cola Puerto Rico	
	805.007.680.01	Coca-Cola Arabic	
	805.007.840.01	Coca-Cola Tonic Circle	
	805.007.960.01	Coca-Cola Light France	
	805.008.290.01	Coca-Cola Australia	
	805.008.730.01	Coca-Cola Coke Can On Ice	
	805.009.950.01	Coca-Cola Greece	
	805.010.140.01	Coca-Cola Coke Bebu Can On Ice	
	805.010.250.01	Coca-Cola Turkey	
	805.008.440.01	Coca-Cola Light Sweden	
805.009.940.01	Coca-Cola Light Greece		
805.010.000.01	Coca-Cola Light Bebu		
805.010.060.01	Coca-Cola Light Standard International		
805.010.310.01	Coca-Cola Bevette Coke Light		
2	See list below	Coca-Cola Diet Coke Signs	
	805.006.580.01	Diet Coke (USA) (shown)	
	805.010.280.01	Diet Coke Turkey	
3	805.008.080.01	Minute Maid Sign	
4	See list below	Coke Side Decals	
	803.822.210.11	Coca-Cola (USA) (shown)	
	803.824.290.01	Coca-Cola Bebu	
	803.823.300.01	Coca-Cola International	
	803.823.380.01	Coca-Cola Italian	
	803.823.710.01	Coca-Cola CSA English	
	803.823.770.01	Coca-Cola Buvrez France	
	803.825.370.01	Coca-Cola Dis Unite	
	803.825.870.01	Coca-Cola Arab Bahrain	
	803.826.150.01	Coca-Cola Tonic Argentina	
	803.831.000.01	Coca-Cola Greece	
	803.833.930.01	Coca-Cola Turkey	
	803.827.610.01	Coca-Cola Light Brnina	
	803.830.990.01	Coca-Cola Light Greece	
	803.826.310.01	Coca-Cola Light France	
	803.831.090.01	Coca-Cola Light Bebu	
	803.831.470.01	Coca-Cola Light Standard International	
	803.833.180.01	Coca-Cola Light Bevette	
	5	See list below	Diet Coke Side Decals
		803.822.970.01	Diet Coke (USA) (shown)
803.833.060.01		Diet Coke Turkey	
6	803.826.380.01	Minute Maid Side Decal	

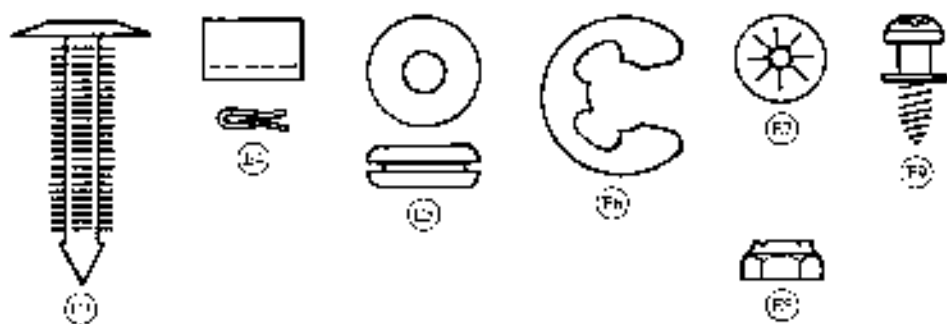
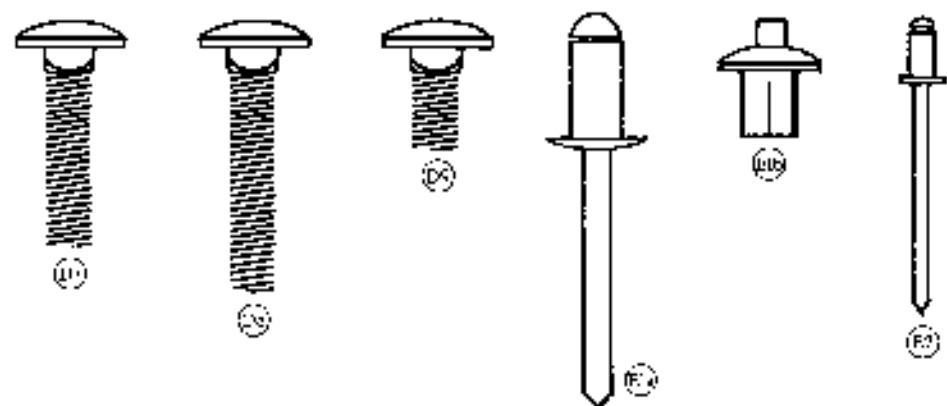
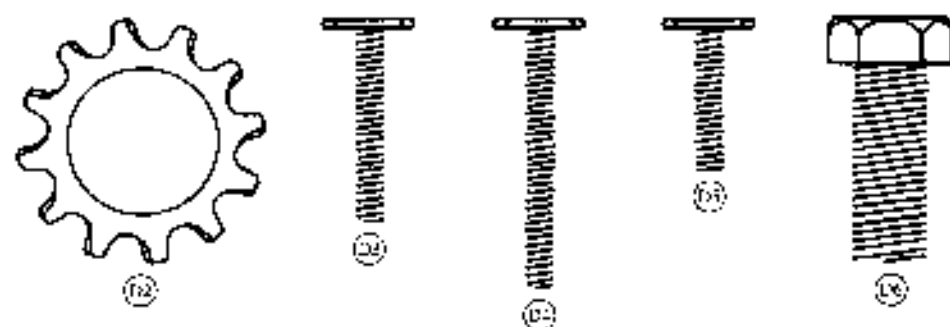
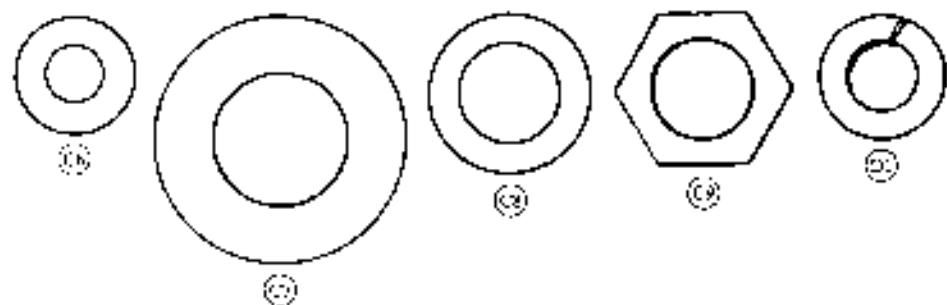
## Screws & Nuts - Coke (Landscape)



**Screws & Nuts - Coke (Landscape)**

Item	Part Number	Part Name And Description
A1	900,301,700.01	Sems Screw #6 - 32 x $\frac{1}{8}$
A2	900,301,640.01	Sems Screw #8 - 32 x $\frac{1}{4}$
A3	900,301,830.01	Sems Screw #10 - 32 x $\frac{3}{8}$
A4	900,301,500.01	Screw, Phil Pan (without washer) #8 - 18 x $\frac{1}{2}$
A5	900,301,970.01	Screw, Phillips Pan Head #8 - 32 x $\frac{1}{4}$
A6	900,600,230.02	Sheet Metal Screw, Type "A"
A7	900,300,470.01	Sheet Metal Screw #4 x $\frac{3}{4}$
A8	900,301,820.01	Vend Motor Screw #4 x 1 $\frac{1}{8}$
	900,301,610.01	Vend Motor Screw #4 x 1 $\frac{1}{2}$
A9	900,301,560.01	Sems Screw #8 - 32 x $\frac{1}{4}$
B1	900,301,850.01	Sems Screw #8 - 32 x $\frac{1}{4}$
B2	900,300,160.01	Sems Screw #6 x $\frac{1}{4}$
B3	900,301,810.01	Screw #10 - 32 x 1 $\frac{1}{2}$
B4	900,201,140.01	Screw, Machine Truss #10 - 32 x $\frac{1}{2}$
B5	900,301,730.21	Self-Tapping Screw $\frac{1}{4}$ - 20 x 1
B6	900,301,650.01	Screw, Phil Pan (with washer) #8 - 18 x $\frac{1}{4}$
B7	900,302,010.01	Self-Tapping Screw $\frac{1}{4}$ - 20 x $\frac{3}{4}$
B8	900,301,690.01	Screw, Hex Tap #8 - 32 x $\frac{3}{4}$
C1	900,901,510.02	Screw, Phil Pan Tapping
B9	900,800,650.01	Keps Nut #10 - 32
C2	900,800,670.01	Keps Nut, $\frac{1}{4}$ - 20
C3	900,800,500.01	Keps Nut #8 - 32
C4	900,800,690.01	Keps Nut (Top Door Hinge) $\frac{3}{8}$ - 16
C5	900,800,850.01	Speed Nut
CC	900,201,220.11	Machine Screw #8 - 32 x $\frac{1}{4}$
DD	900,800,490.01	Keps Nut #6 - 32

# Washers, Bolts & Misc. - Coke (Landscape)





**Washers, Bolts & Misc. - Coke (Landscape)**

Item	Part Number	Part Name And Description
C6	900,700,600.01	Washer, Flat
C7	901,303,770.01	Washer, Hinge
C8	901,503,060.01	Washer, Flat (T-Handle)
C9	901,503,080.01	Washer, Hex (T-Handle)
D1	900,700,360.01	Lockwasher, 3/8"
D2	900,700,890.01	Lockwasher, 3/8"
D3	900,400,430.01	T-Bolt #8 - 32 x 1
D4	900,400,410.01	T-Bolt #8 - 32 x 1 3/8
D5	900,400,350.31	T-Bolt #8 - 32 x 3/4
D6	900,400,440.01	Refrigeration Bolt 3/8 - 16 x 1
D7	900,201,170.01	Carriage Bolt 1/4 - 20 x 1
D8	900,201,230.01	Carriage Bolt 1/4 - 20 x 1 1/4
D9	900,201,450.01	Carriage Bolt 1/4 - 20 x 1/2
E1a	901,100,430.01	Pop Rivet 1/8"
E1b	901,100,440.01	Drive Rivet 1/8"
E2	901,100,520.11	Pop Rivet 3/8"
F3	900,902,130.01	Christmas Tree Clip
E4	900,901,890.01	Tinnerruan Clip
E5	900,401,090.01	Grommet, Black Rubber #97
E6	901,503,070.01	E Ring
E7	900,900,900.01	Retainer
E8	900,800,510.01	Elastic Stop Nut #8 - 32
E9	900,301,980.01	Phil Pan Shoulder Screw #8 - 18 x 1 1/2