

2/10/96

1. PRODUCT

12 OZ. CANS - 2.60 x 4.84 Long

2. PRODUCT CAPACITY

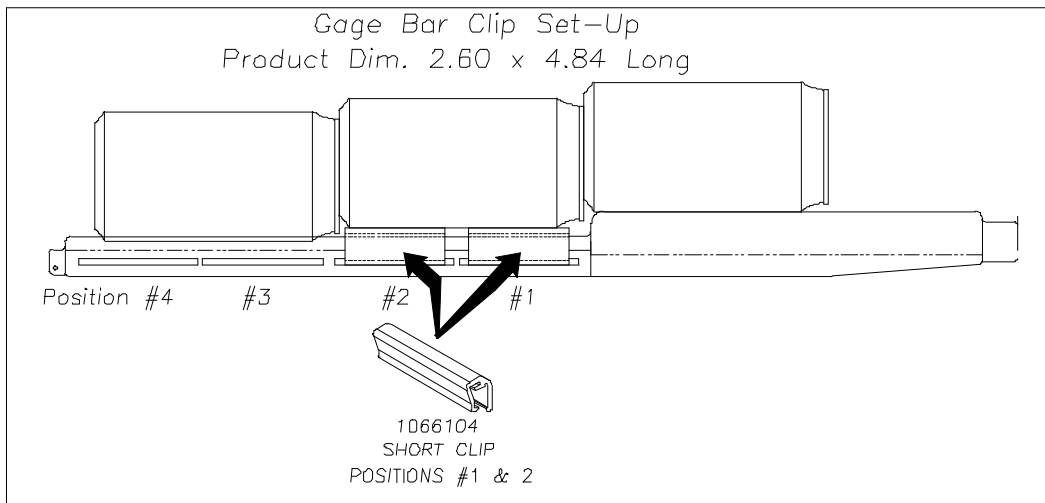
48 PER COLUMN - 72", 57 PER COLUMN - 79"

3. SET UP GUIDE UNIVENDOR-2

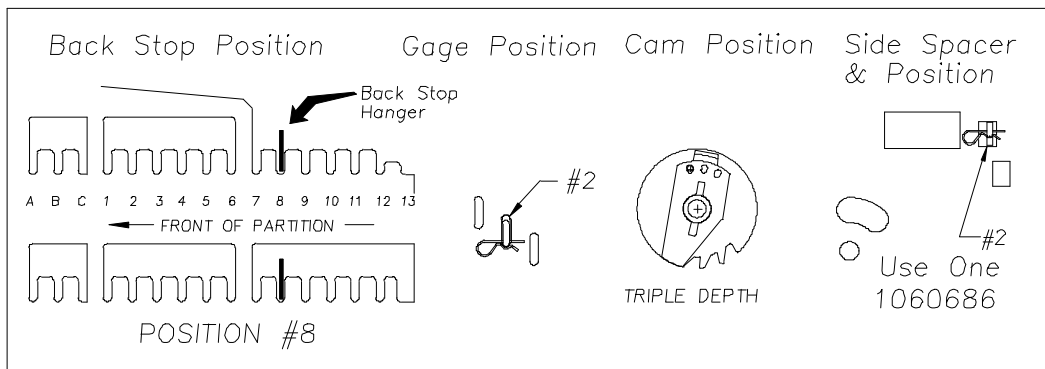
Product	CAM POSITION	BACK SPACER	GAGE BAR	Sold out Lever	SIDE SPACER	GAGE BAR CLIP	
						Part No.	Position
12 oz CANS	3	8	2	389242 SHORT	1060686	1066104 White	1 & 2

Note: To properly vend 12 oz. Cans. The Univendor-2 must have the columns setup correctly.

4. GAGE BAR CLIP SET UP.



5. SET UP GUIDE.



6. SOLD-OUT LEVER TO BE SHORT STYLE WITH FRONT SPACER. SPRING TO BE LOCATED ON THE RIGHT SIDE (LOW PRESSURE SETTING).

5/28/97

1. PRODUCT

20 OZ. 7 UP SPLASH PET - 2.85 x 8.92 Long

2. PRODUCT CAPACITY

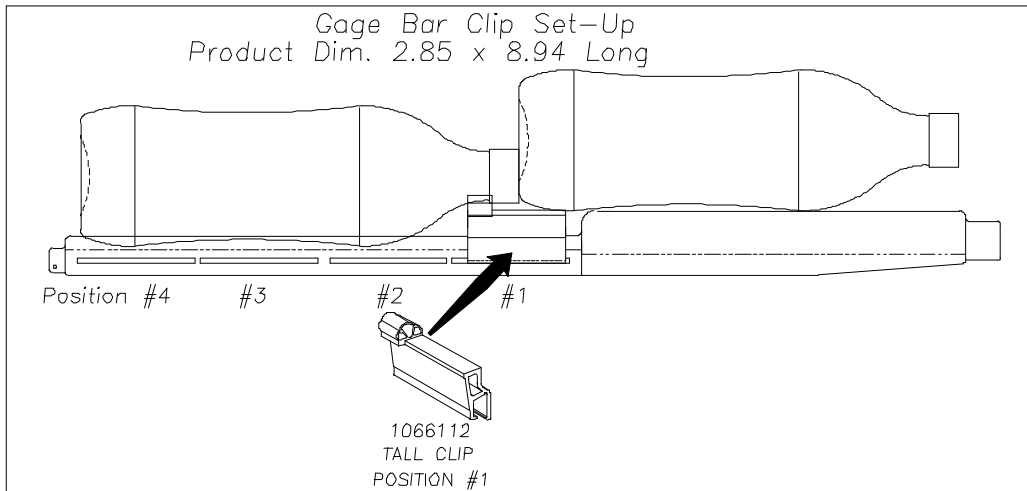
28 PER COLUMN - 72", 34 PER COLUMN - 79"

3. SET UP GUIDE UNIVENDOR-2

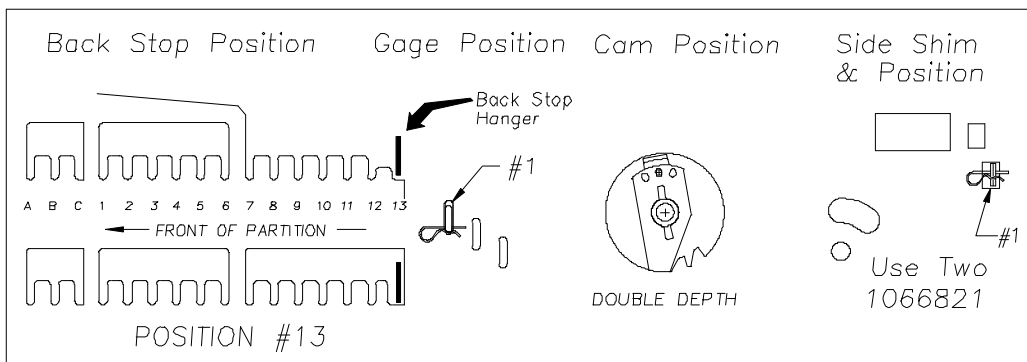
Product	CAM POSITION	BACK SPACER	GAGE BAR	Sold out Lever	SIDE	GAGE BAR CLIP	
					SHIM	Part No.	Position
20 oz 7 UP	2	13	1	389242 SHORT	TWO 1066821	1066112	1

Note: To properly vend 20 oz.7 UP. The Univendor-2 must have the columns setup correctly.

4. GAGE BAR CLIP SET UP.



5. SET UP GUIDE.



6. SOLD-OUT LEVER TO BE SHORT STYLE WITH FRONT SPACER. SPRING TO BE LOCATED ON THE RIGHT SIDE (LOW PRESSURE SETTING).

1. PRODUCT

20 OZ. DR PEPPER 7 UP GENERATION II SPLASH (BLUE DIE) PET - 2.85 x 8.53 Long

2. PRODUCT CAPACITY

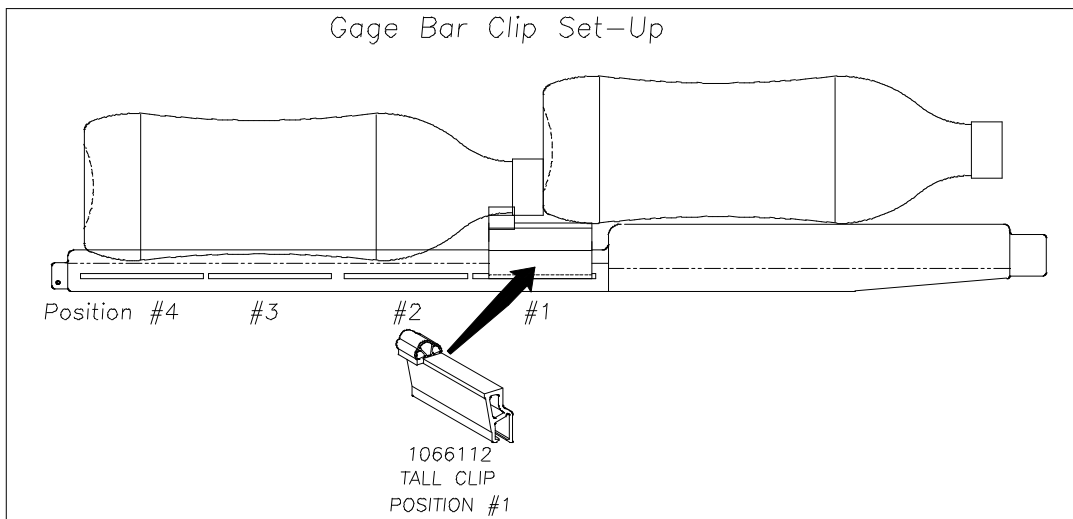
28 PER COLUMN - 72", 34 PER COLUMN - 79"

3. SET UP GUIDE UNIVENDOR-2

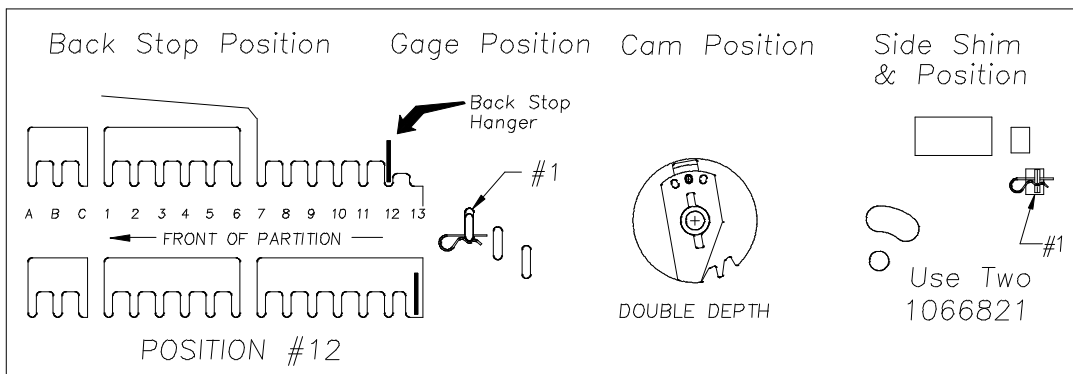
Product	CAM POSITION	BACK SPACER	GAGE BAR	Sold out Lever	SIDE SHIM	GAGE BAR CLIP	
						Part No.	Position
20 oz See 1.	2	12	1	389242 SHORT	TWO 1066821	1066112	1

Note: To properly vend 20 oz.PET. The Univendor-2 must have the columns setup correctly.

4. GAGE BAR CLIP SET UP.



5. SET UP GUIDE.



**6. SOLD-OUT LEVER TO BE SHORT STYLE WITH FRONT SPACER.
SPRING TO BE LOCATED ON THE RIGHT SIDE (LOW PRESSURE SETTING).**

**FOR OTHER PRODUCT SET-UP GUIDES, CONTACT THE VENDO COMPANY.
TEL: (559)439-1770 FAX: (559) 439-2083.**

Vendo[®] Engineering Uni-2 Set Up Guide

Size: 20oz / 591ml
4/26/2000

Rev. A Date

Pkg. Description/Type: 20oz / 591ml Dr PEPPER (EMBOSED) TAPER NECK

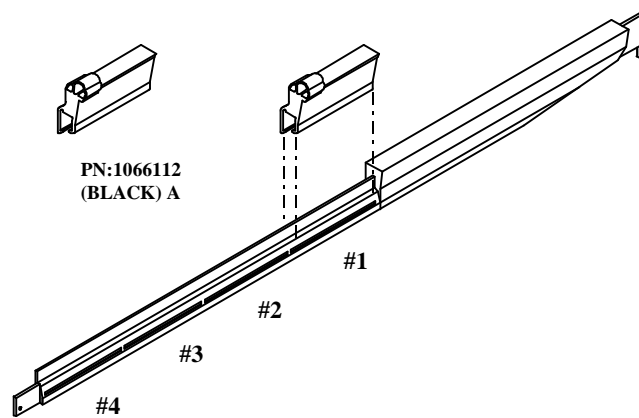
Franchise: Dr PEPPER

KIT#

Column Setup

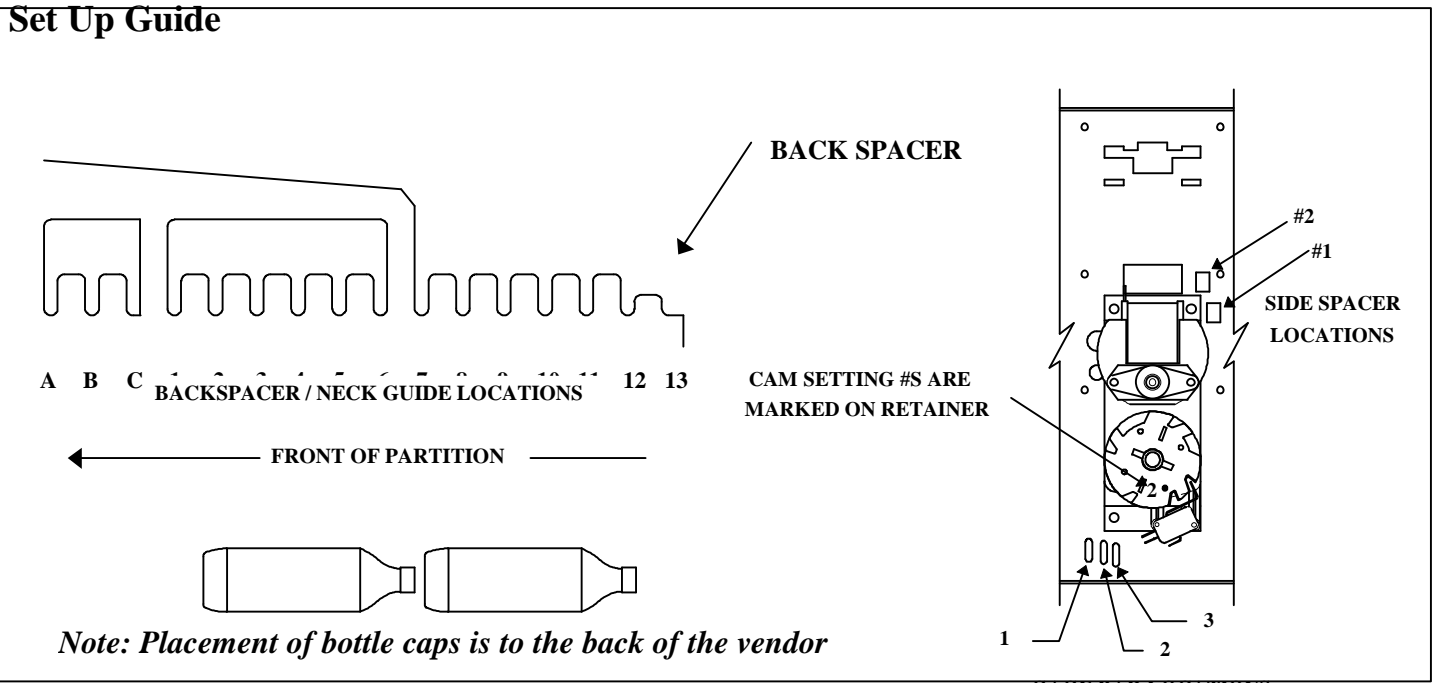
Cam Setting	Back Spacer	Neck Guide Locations	Gage Bar Clip Location	Gage Bar Location	Side Spacer	Sold Out Flap	Sold Out Spacer
2	13	N/A	A/#1	#1	N/A	Short 1083449	1077457

Note: To properly vend product the Uni-2 must have the columns set up as illustrated.



Gage Bar Clip Location

Set Up Guide



FOR OTHER PRODUCT SET-UP GUIDES, CONTACT THE VENDO COMPANY.

TEL: (559) 439-1770 FAX: (559) 439-2083.

Installation Instruction #

Vendo[®] Engineering Uni-2 Set Up Guide

Size: 20oz / 591ml
4/26/2000

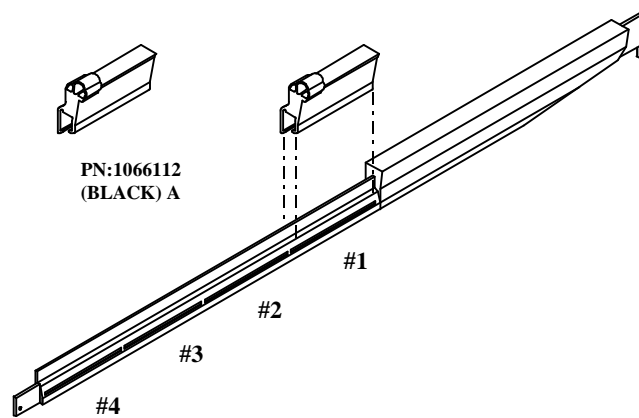
Rev. A Date

Pkg. Description/Type: 20oz / 591ml Dr PEPPER (NON EMBOSED) TAPER NECK
Franchise: Dr PEPPER **KIT#**

Column Setup

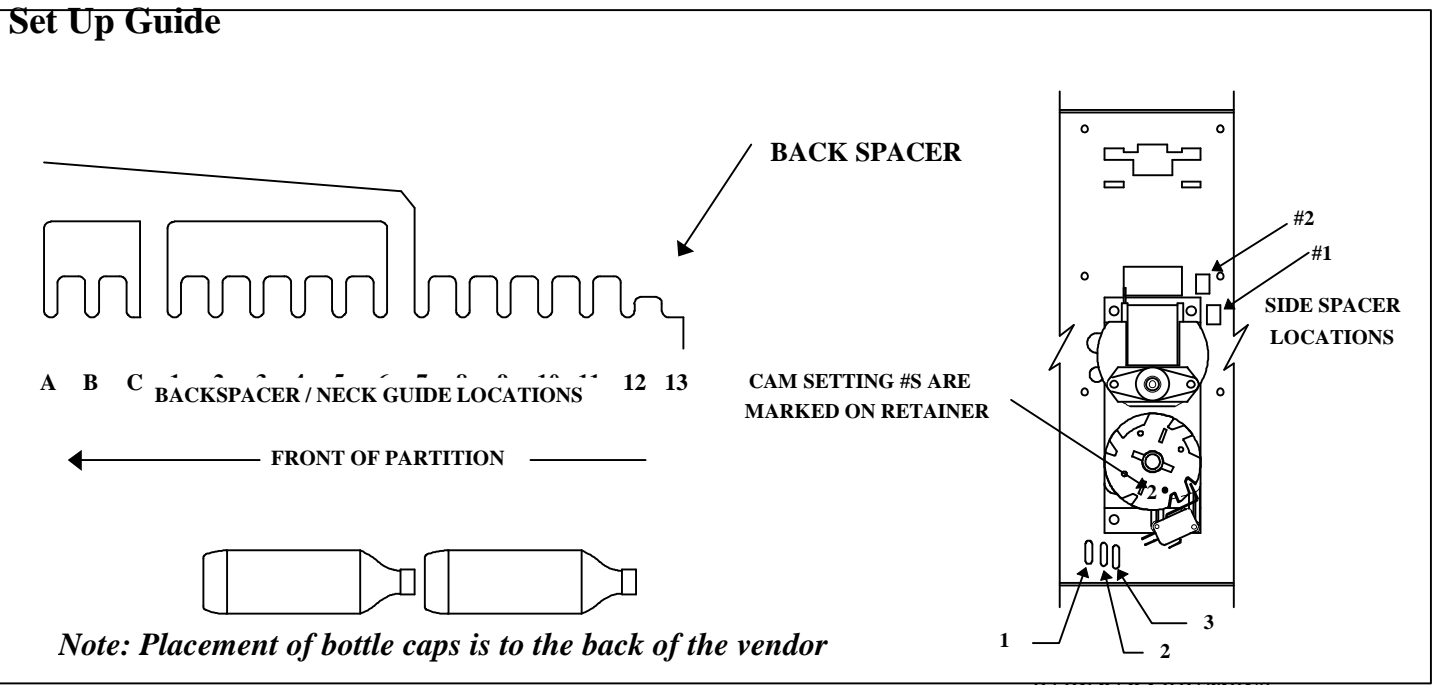
Cam Setting	Back Spacer	Neck Guide Locations	Gage Bar Clip Location	Gage Bar Location	Side Spacer	Sold Out Flap	Sold Out Spacer
2	13	N/A	A/#1	#1	N/A	Short 1083449	1077457

Note: To properly vend product the Uni-2 must have the columns set up as illustrated.



Gage Bar Clip Location

Set Up Guide



FOR OTHER PRODUCT SET-UP GUIDES, CONTACT THE VENDO COMPANY.
TEL: (559) 439-1770 FAX: (559) 439-2083.

Installation Instruction #

1. PRODUCT

20 Oz. DR PEPPER PET- 2.91 x 9.05" Long

2. PRODUCT CAPACITY

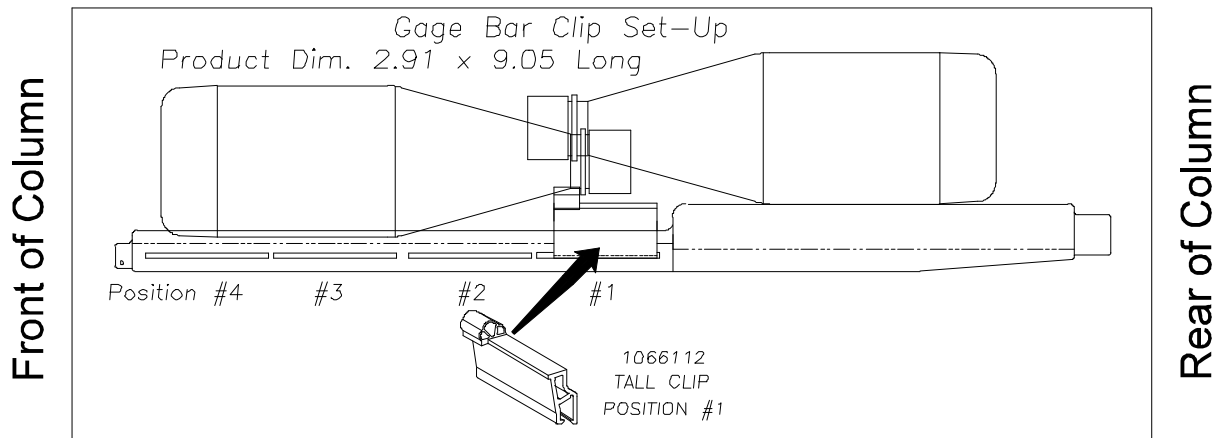
28 PER COLUMN - 72", 34 PER COLUMN - 79"

3. SET UP GUIDE UNIVENDOR-2

Product	CAM POSITION	BACK SPACER	GAGE BAR	Sold out Lever	SIDE SHIM	GAGE BAR CLIP		BUCKET KIT #
						Part No.	Position	
20 Oz. Dr Pepper	2	9	1	389242 SHORT	NONE	1066112	1	1073775M 10 Columns


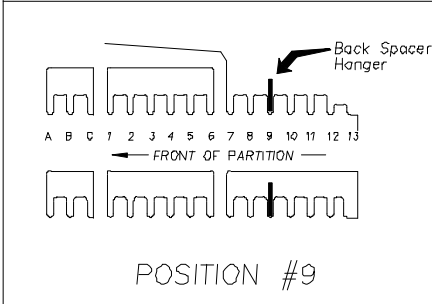
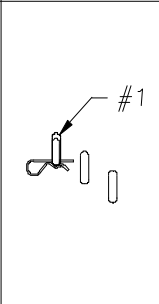
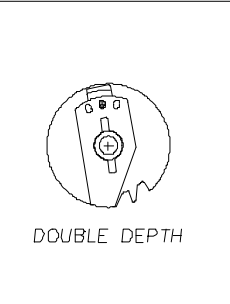
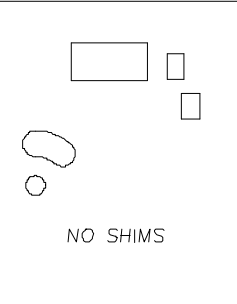
Note: To properly vend 20oz. PET Dr Pepper. The Univendor-2 must have the columns setup as illustrated.

4. GAGE BAR CLIP SET UP.



Note: Gage bar clip functioning as anti-theft device and therefore must be installed.

5. SET UP GUIDE.

Column Load See Note # 8	Back Spacer Position	Gage Bar Position	Cam Position	Side Shim & Position
				

6. BUCKET SET- UP: (requires kit #1088104) install foam tape into buckets per installation instructions included in kit.

7. SOLD-OUT LEVER TO BE SHORT STYLE WITH FRONT SPACER : Spring to be located on the right side (low pressure setting).

8. The bottles **MUST** be loaded as follows to avoid jams:

Arrange bottle caps so that the cap of the FRONT BOTTLE of each layer of 2 bottles (front & rear) is on TOP of the rear bottle-cap in that layer. For easiest loading, place rear bottle first, followed by front, then alternating rear & front until column is full, being careful to maintain the prescribed pattern.

1. PRODUCT

20 Oz. DR PEPPER (BLUE DIE) PET- 2.91 top x 2.93 btm x 8.73" Long

2. PRODUCT CAPACITY

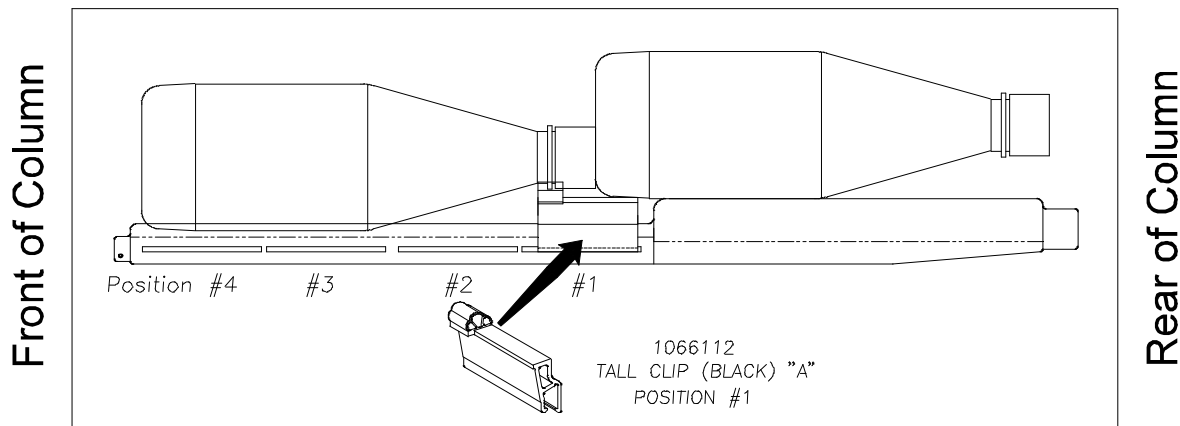
28 PER COLUMN - 72", 34 PER COLUMN - 79"

3. SET UP GUIDE UNIVENDOR-2

Product	CAM POSITION	BACK SPACER	GAGE BAR	Sold out Lever	SIDE	GAGE BAR CLIP		BOTTLE GUIDE
					SHIM	Part No.	Position	
20 Oz. Dr Pepper	2	13	1	389242 SHORT	NONE	1066112	1	1088236

Note: To properly vend 20oz. PET Dr Pepper. The Univendor-2 must have the columns setup as illustrated.

4. GAGE BAR CLIP SET UP.



Note: Gage bar clip functioning as anti-theft device and therefore must be installed.

5. SET UP GUIDE.

Back Spacer Position	Gage Bar Position	Cam Position	Side Shim & Position
<p>POSITION #13</p>	<p>#1</p>	<p>DOUBLE DEPTH</p>	<p>NO SHIMS</p>

6. Bottle Guide Position Set-Up: (requires kit #1088236) Right Hand Partition set in B position, Left Hand Partition set in A position.

7. SOLD-OUT LEVER TO BE SHORT STYLE WITH NEW FRONT SPACER #1077457: Spring to be located on the right side (low pressure setting).

**9. FOR OTHER PRODUCT SET UP GUIDES CONTACT VENDO COMPANY.
TEL: (559) 439-1770 FAX: (559) 439-2083.**

1. PRODUCT

20 Oz. DR PEPPER (RED DIE) PET- 2.91 x up to 9.00" Long

2. PRODUCT CAPACITY

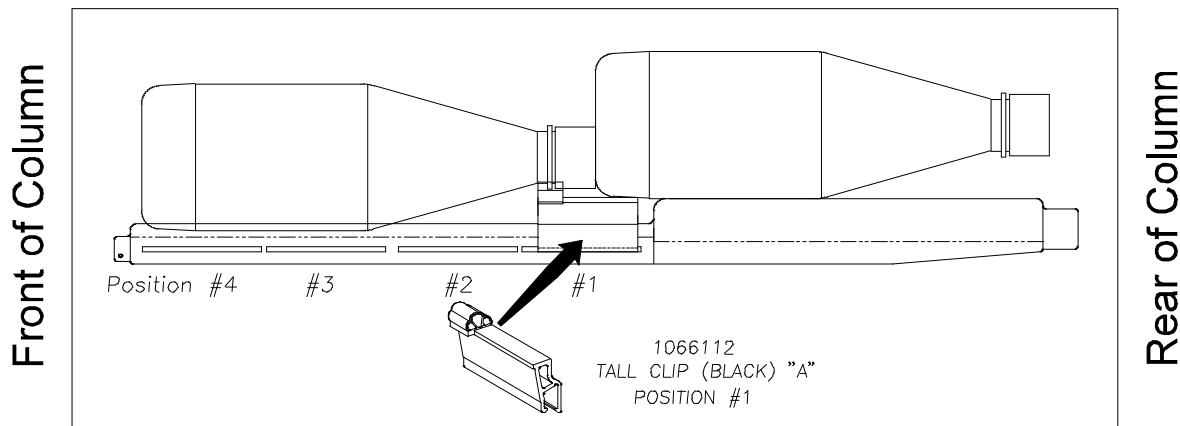
28 PER COLUMN - 72", 34 PER COLUMN - 79"

3. SET UP GUIDE UNIVENDOR-2

Product	CAM POSITION	BACK SPACER	GAGE BAR	Sold out Lever	SIDE	GAGE BAR CLIP		BOTTLE GUIDE
					SHIM	Part No.	Position	
20 Oz. Dr Pepper	2	13	1	389242 SHORT	NONE	1066112	1	1088236

Note: To properly vend 20oz. PET Dr Pepper. The Univendor-2 must have the columns setup as illustrated.

4. GAGE BAR CLIP SET UP.



Note: Gage bar clip functioning as anti-theft device and therefore must be installed.

5. SET UP GUIDE.

Back Spacer Position	Gage Bar Position	Cam Position	Side Shim & Position
<p>POSITION #13</p>	<p>#1</p>	<p>DOUBLE DEPTH</p>	<p>NO SHIMS</p>

6. **Bottle Guide Position Set-Up:** (requires kit #1088236) Right Hand Partition set in B position, Left Hand Partition set in A position.

7. **SOLD-OUT LEVER TO BE SHORT STYLE WITH NEW FRONT SPACER #1077457:** Spring to be located on the right side (low pressure setting).

8. **FOR OTHER PRODUCT SET UP GUIDES CONTACT VENDO COMPANY.**
TEL: (559) 439-1770 FAX: (559) 439-2083.

1. PRODUCT

20 Oz. DR PEPPER PET- 2.91 x 9.00" Long

2. PRODUCT CAPACITY

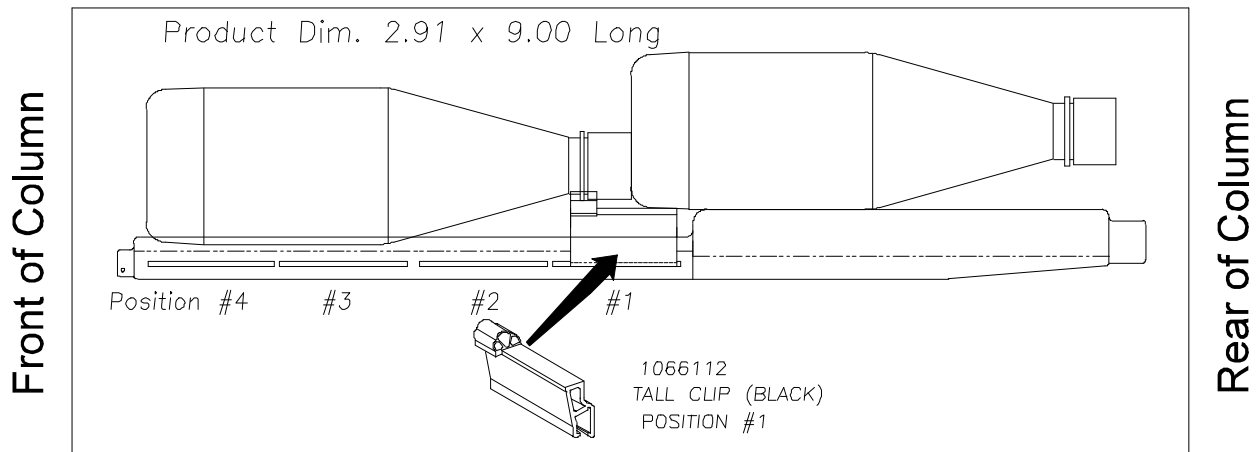
28 PER COLUMN - 72", 34 PER COLUMN - 79"

3. SET UP GUIDE UNIVENDOR-2

Product	CAM POSITION	BACK SPACER	GAGE BAR	Sold out Lever	SIDE SHIM	GAGE BAR CLIP		BOTTLE GUIDE
						Part No.	Position	
20 Oz. Dr Pepper	2	13	1	389242 SHORT	NONE	1066112	1	1085457M See Pg 2

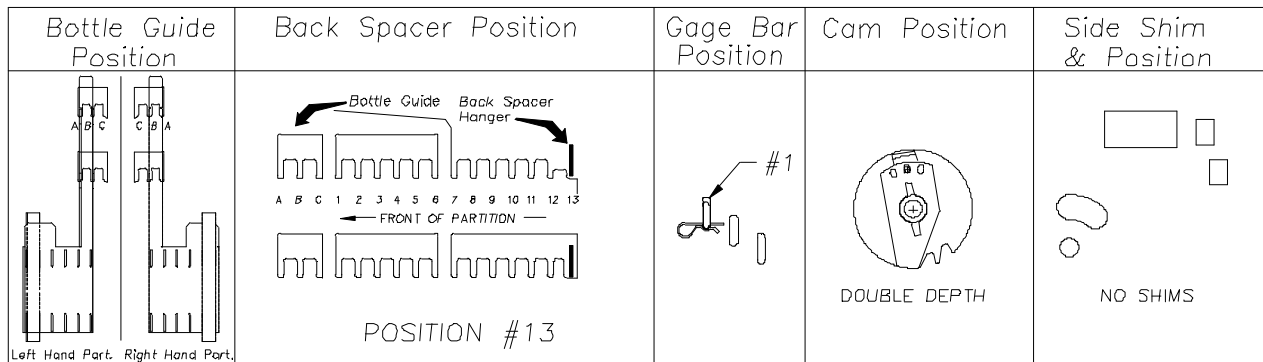
Note: To properly vend 20oz. PET Dr Pepper. The Univendor-2 must have the columns setup as illustrated.

4. GAGE BAR CLIP SET UP.



Note: Gage bar clip functioning as anti-theft device and therefore must be installed.

5. SET UP GUIDE.



6. BOTTLE GUIDE POSITION SET- UP: (requires kit #1085457 Installation Instructions included)

**7. SOLD-OUT LEVER TO BE SHORT STYLE WITH FRONT SPACER :
SPRING TO BE LOCATED ON THE RIGHT SIDE (LOW PRESSURE SETTING).**

**8. FOR OTHER PRODUCT SET UP GUIDES CONTACT VENDO COMPANY.
TEL: (209) 439-1770 FAX: (209) 439-2083.**